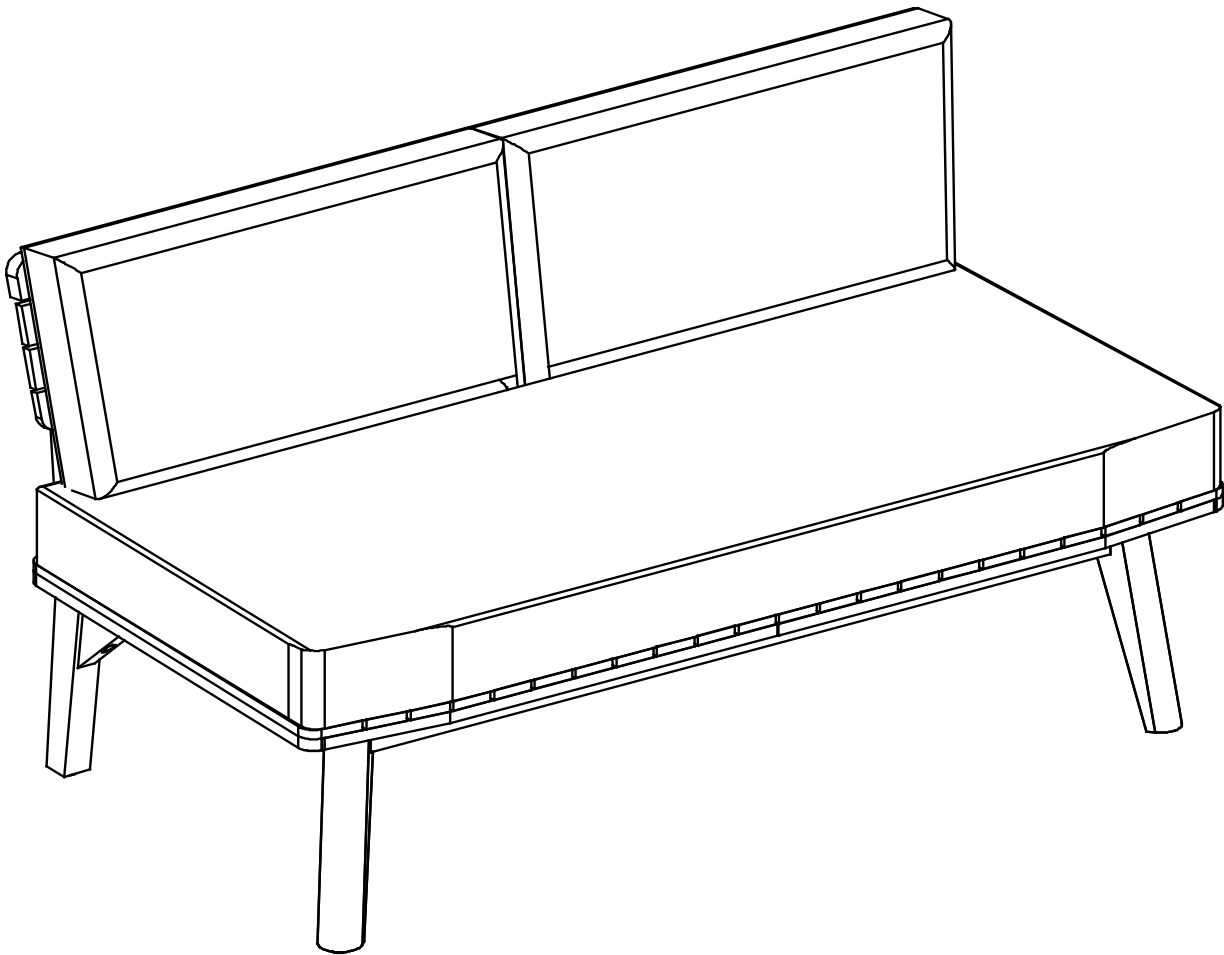


Assembly Instructions

Caution: You must read this before you proceed

LOVESEAT


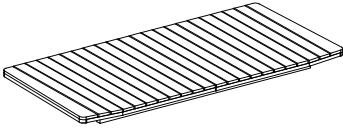
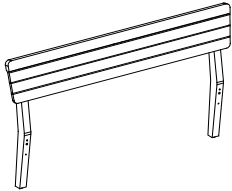
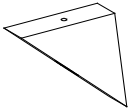
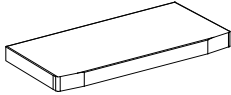
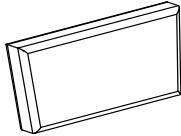


Caution: This Loveseat is NOT a TOY.






Keep your child / children at bay in the process of assembly.

Whenever moving or lifting the Loveseat and to prevent damage to the Loveseat, two adults may be needed to execute these actions

Parts List

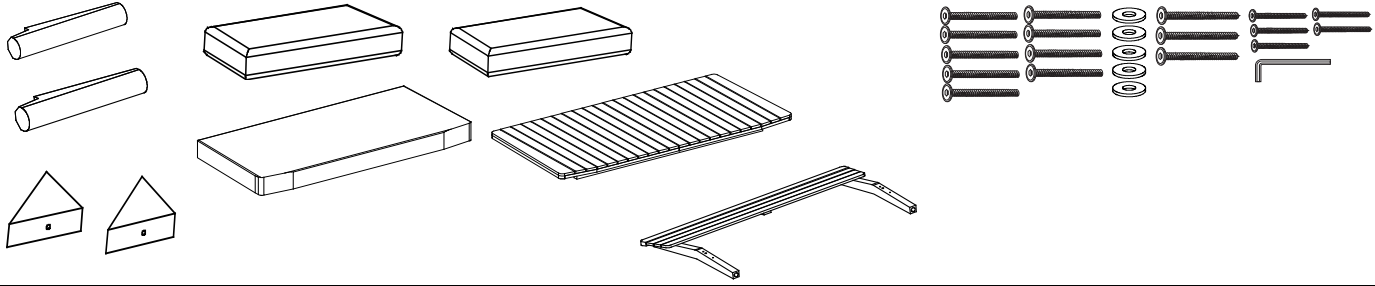
Label	Picture	Description	QTY
A-L		Leg	2
B-L		Seat Panel	1
C-L		Backrest Panel	1
D-L		Decorative Corner Block	2
E-L		Seat Cushion	1
F-L		Back Cushion	2

Hardware

No.	Picture	Description	Qty
①-L		Bolt (M8x70mm)	5
②-L		Washer (M8xD2mm)	5
③-L		Screw (M6x80mm)	3
④-L		Screw (M6x50mm)	5
⑤-L		Allen Key	1

Assembly Preparation

Before Beginning Assembly:



- Read instructions, cover to cover-



- Have 2 adults on hand for assembly-



- Do not assemble on flooring or carpet-



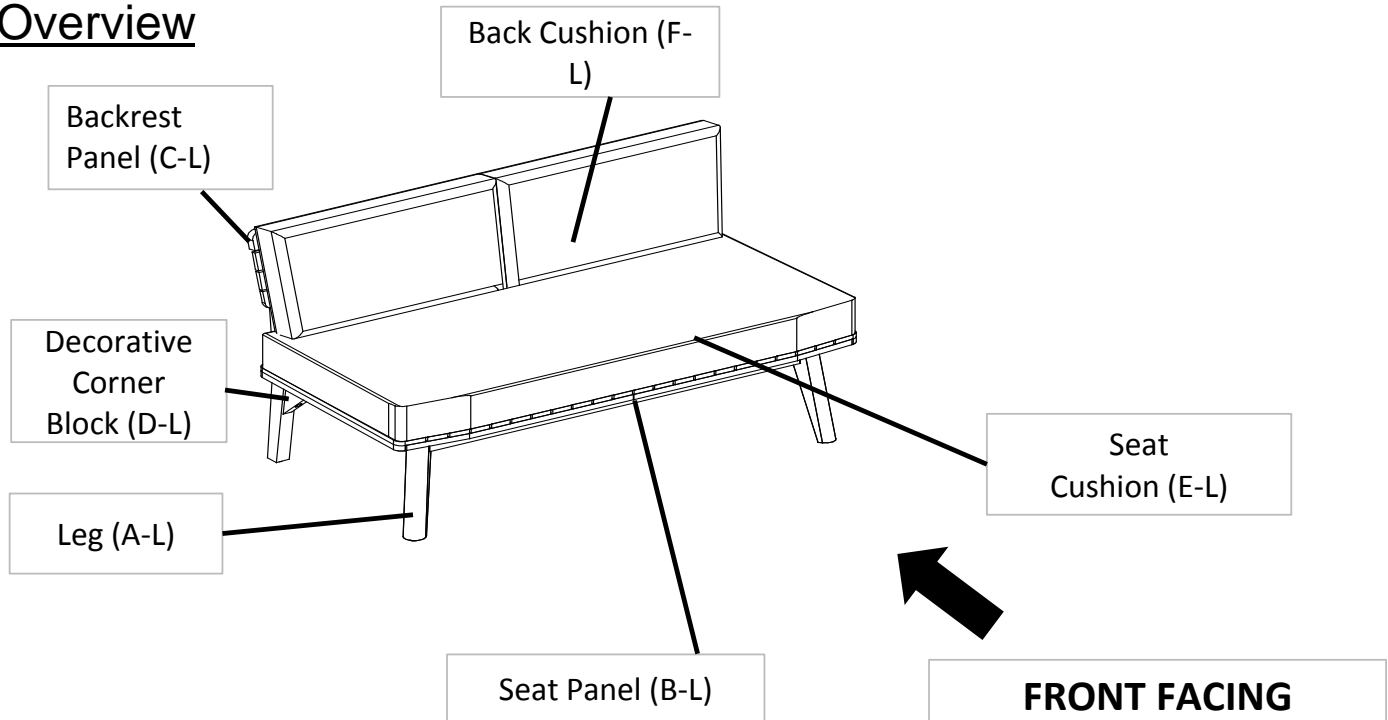
- Assemble on a clean non-marring surface (packing foam)-



- Save all packaging until finished-

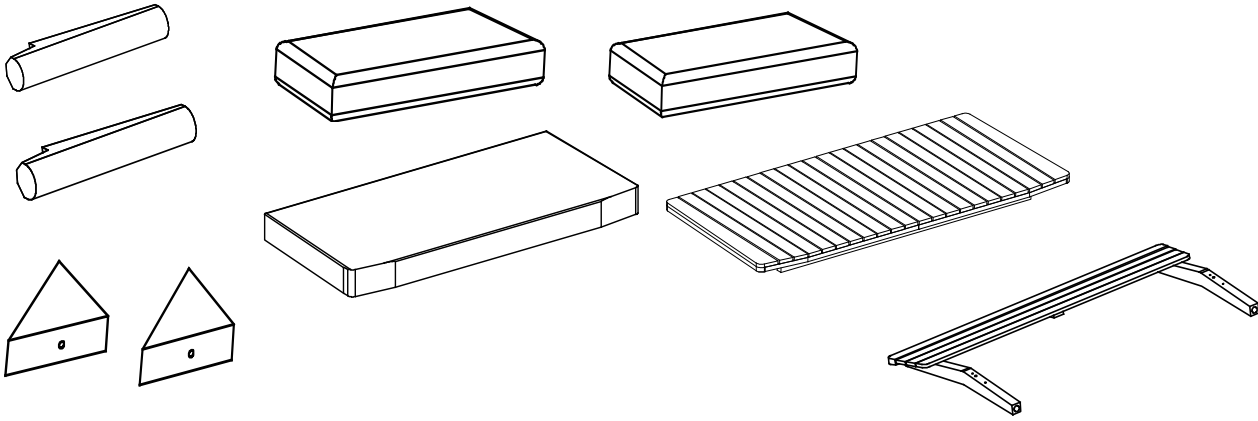
Assembly Steps

Overview



This Loveseat has multiple parts and may require up to 30 minutes to assemble. To give you an overview of the Loveseat, the above picture is to help you put the various parts into perspective. Please read through the instructions below to familiarise yourself with the parts and steps before assembly.

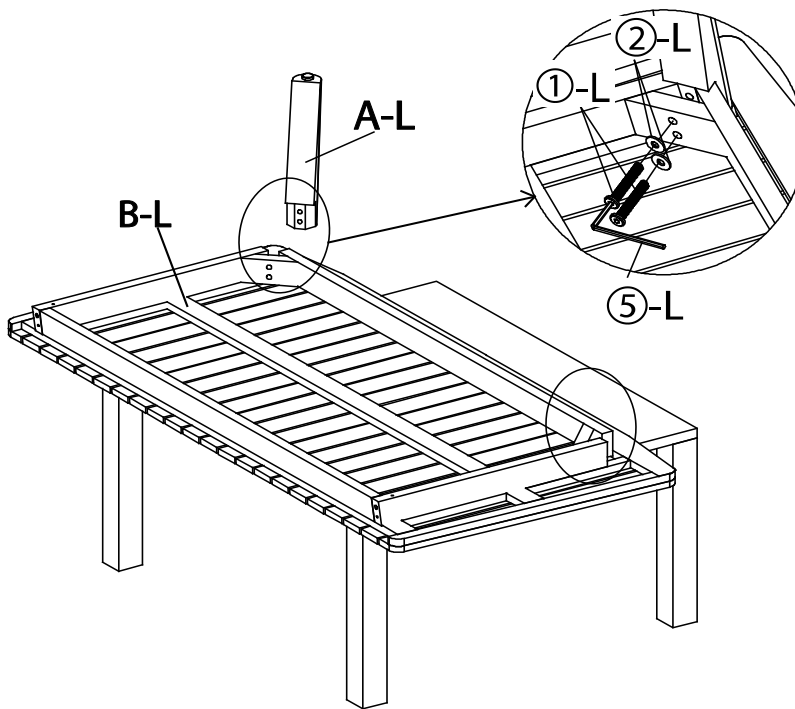
Step 1



Unpack and place all parts on a clean, non-marring surface.

Step 2

2.1

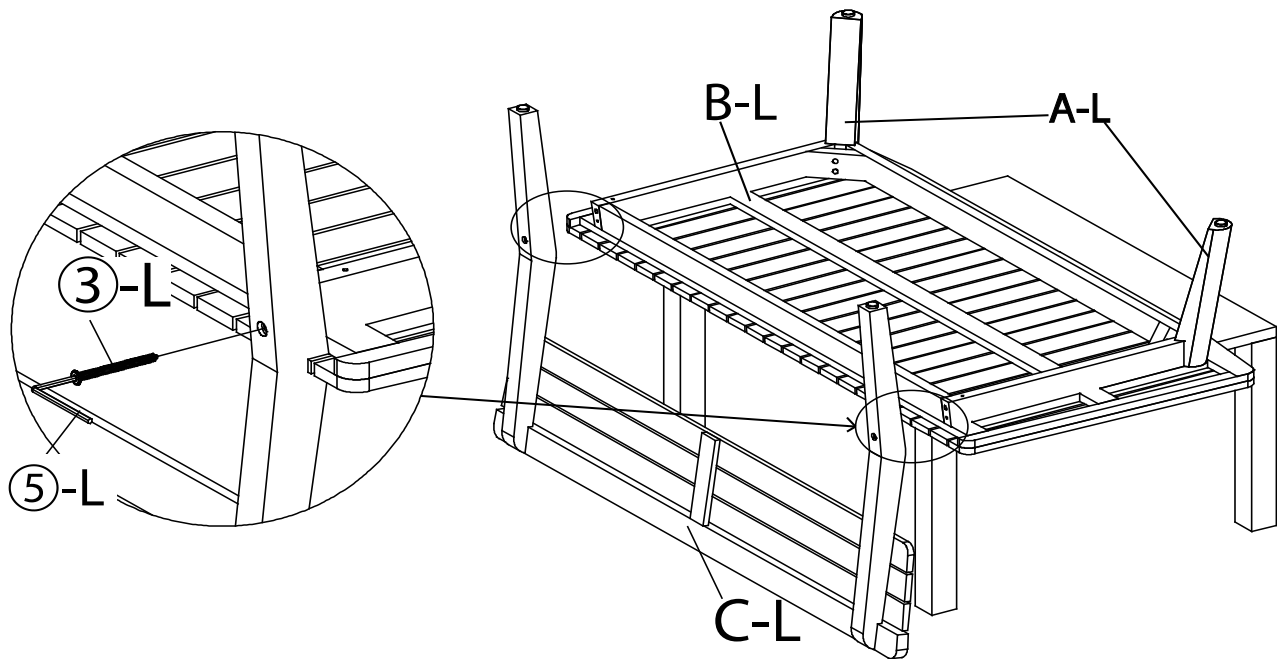


2.2

2.1) With assistance from your adult partners, turn the Seat Panel(B-L) facedown as pictured above.
2.2) Attach Legs(A-L) to Seat Panel(B-L) using Bolts(①-L), and Washers (②-L) with Allen Key(⑤-L) as shown above.

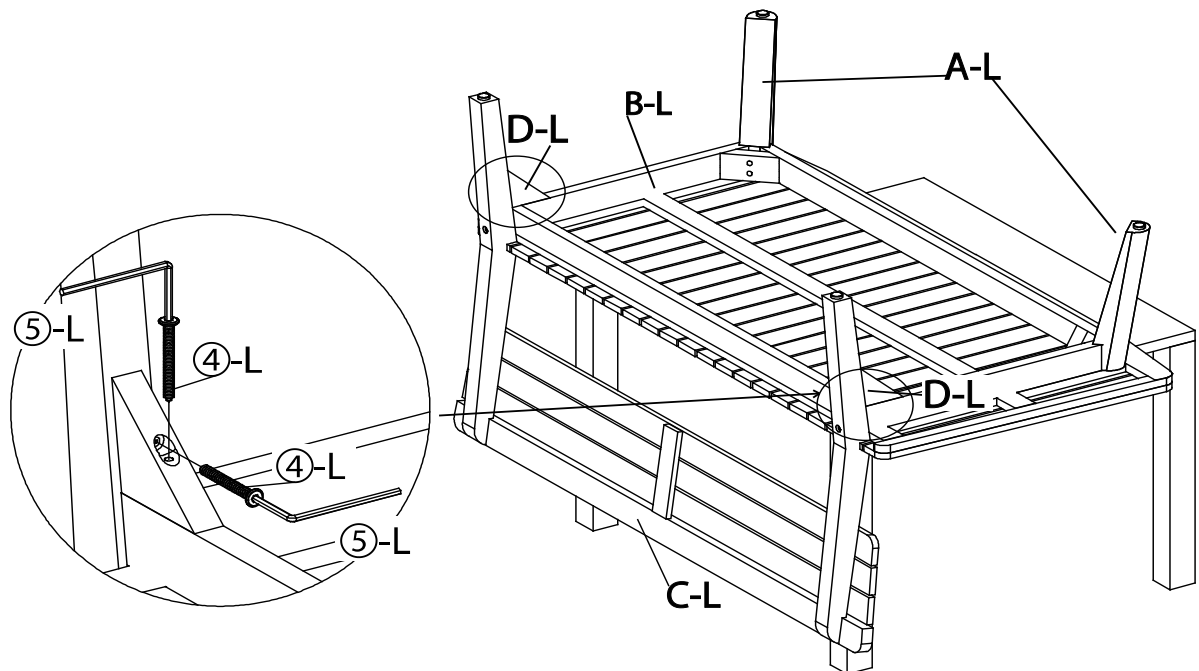
Do not fully tighten the Bolts.

Step 3



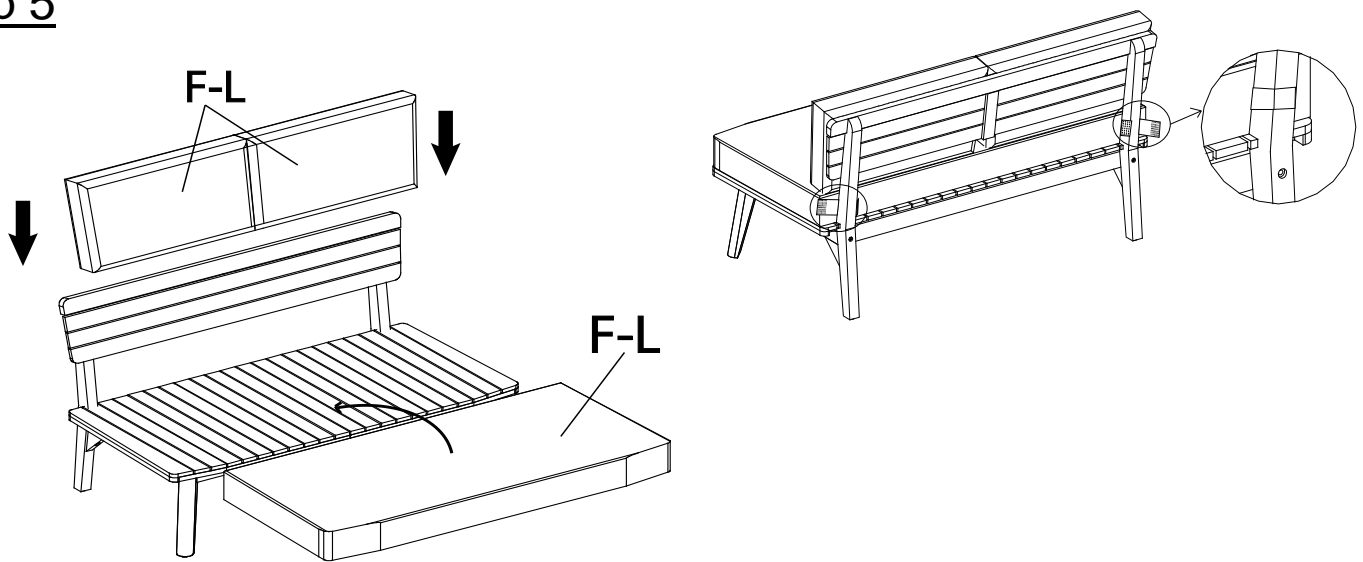
Insert the Tenons from Seat Panel(B-L) into the Mortises of the Backrest Panel(C-L) then attach using Screws(③-L) with Allen Key(⑤-L).
Do not fully tighten the Screws.

Step 4



Align the Decorative Corner Blocks (D-L) to the mounting position on the Loveseat.
Attach Decorative Corner Blocks (D-L) to Loveseat using Screws(④-L) through the vertical and horizontal mounting positions with Allen Key (⑤-L) as shown above.
Do not fully tighten the Screws.

Step 5



Place the Loveseat on a **LEVEL SURFACE**.

Inspect it and make sure all parts are adequately connected.

Gently and gracefully, sit into to the Loveseat.

This will help to align all the parts at all joint areas.

Then get off the Loveseat and proceed to tighten the Bolts and Screws in a sequential manner.

When tightening the Bolts and Screws tighten sequentially.

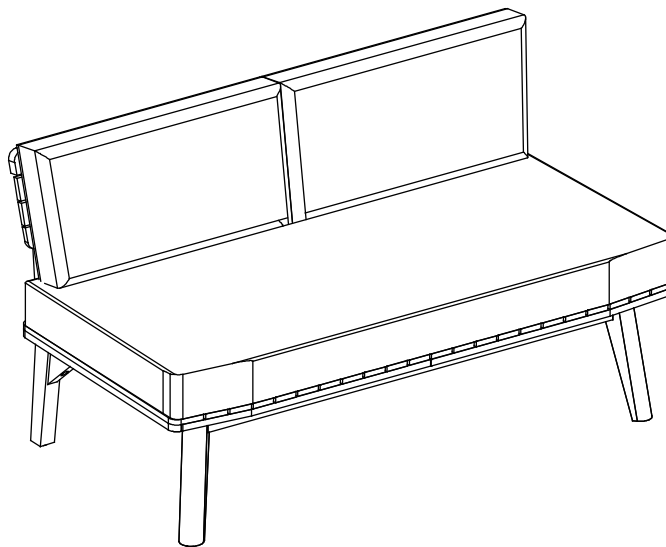
DO NOT tighten any Bolt or Screw fully and then move on towards the next one.

If there are still wobbles, loosen the Bolts and Screws and execute this same process.

Place Seat Cushion(E-L) and Back Cushions(F-L) onto the Loveseat.

Tie the velcro straps on the Seat Cushion(E-L) to Seat Panel(B) and Back Cushions(F-L) to Backrest Panel(C-L).



















Step 6



Your Loveseat is ready for use.

This Loveseat can only be used on a flat, level surface.

Care & Maintenance

-   ● Do not put hot items directly on furniture surface
 -   ● Do not clean furniture with harsh cleansers or polish.
 -   ● To obtain the longest life span of your outdoor products, minimizing exposure to direct sunlight is recommended.
 -   ● Children should not climb or jump on the furniture.
 -   ● Do not write on furniture without a padded barrier to protect the surface.
 -   ● To obtain the longest lifespan of your outdoor products, avoid extended and lengthy exposure to rain, snow, and direct sunshine. Whenever possible cover the product and /or place under patio or awnings.
 -   ● Not for commercial use. For residential use only .
 -   ● Stains may be removed with mild soap solution and damp cloth.
-
-   ● Dust and pick-up spills using a clean, non-colored, lint-free cloth .