



•

Owner manual

Thank You For Choosing Our Furniture

- ▾ If you have any questions or concerns, don't hesitate to reach out to us. ▴



NOTE:






This brochure contains IMPORTANT safety info. Please read and keep it for future reference.

MAINTENANCE AND WARNINGS



Before You Start

Please follow the steps below:

-  Check the packaging for any damage, deformation, or water stains. If there is significant damage, please contact us promptly.
-  Open the packaging and confirm that the panels, hardware, screws, etc are complete.
-  Please read the installation instructions carefully to understand the installation steps and precautions to ensure proper installation.
-  Clean the installation area in advance and ensure the ground is level and there is enough space to avoid damaging the furniture or making installation difficult.
-  Lay a protective mat on the ground to prevent scratching the floor during installation.

After-Sales Service

- If you encounter any issues or need technical support during use, please contact our after-sales team. We offer long-term maintenance and warranty services.



Precautions

- ⚠ This product for indoor use only. Do not expose it to outdoor elements or high-humidity environments.
- ⚠ Keep the product away from high heat or open flames to prevent fire hazards.
- ⚠ Do not allow children to climb on the product to prevent personal injury caused by tipping



Safety Warnings

- ⚠ If you notice any loose or damaged parts, stop using the product immediately and contact customer service.
- ⚠ Do not attempt to disassemble or replace any components yourself, as this may affect the stability and safety of the product.

Daily Maintenance

- Regularly clean the surface of the sofa with a soft cloth to prevent dust accumulation.

Do not use cleaning agents containing acids, alkalis, or corrosive substances,

- as they may damage the surface. It is recommended to use neutral cleaning agents or specialized furniture cleaners

Avoid exposing furniture to humid environments for extended periods to

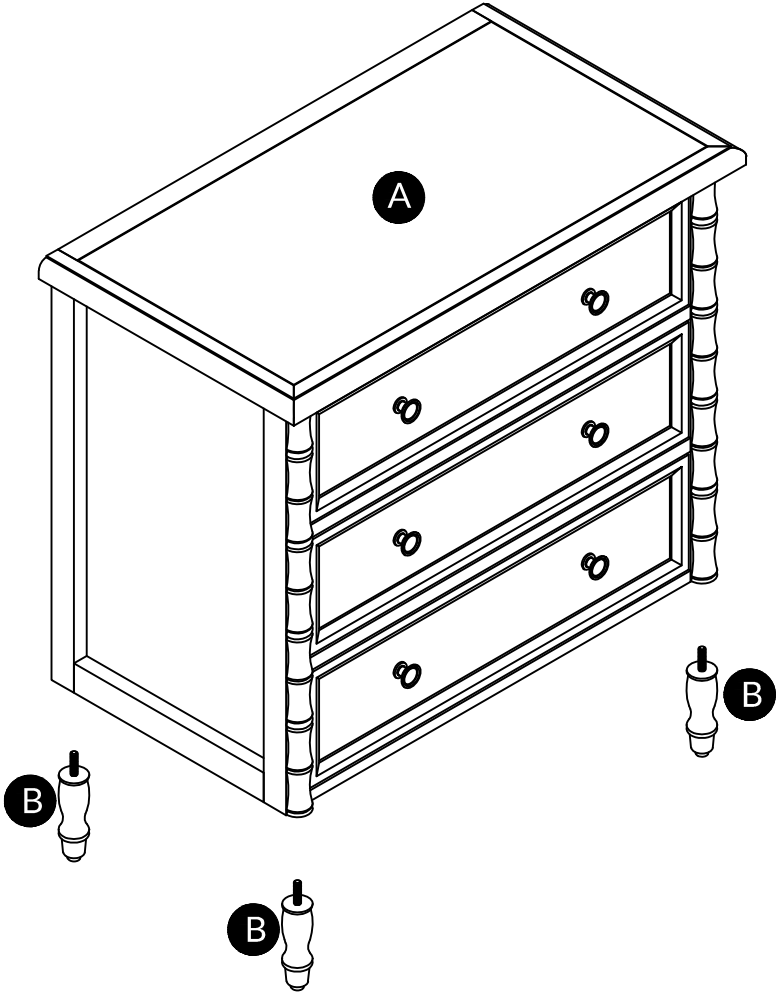
- prevent swelling or deformation of the boards. Use a dehumidifier or desiccant during humid weather.

Avoid direct contact of furniture with water. If water is accidentally spilled, wipe it dry immediately.

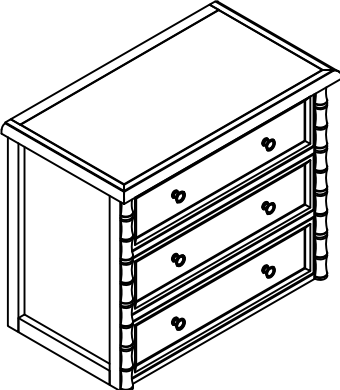

- Avoid placing excessively heavy objects on the furniture: ensure the weight is within a reasonable load-bearing range.

Avoid using sharp or rough items on the furniture surface to prevent scratches, Handle items gently when moving them

Explosive view

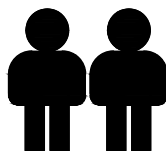


Parts list

| | |
|---|---|
| <p>A</p>  <p>x1</p> | <p>B</p>  <p>x4</p> |
| | |
| | |
| | |

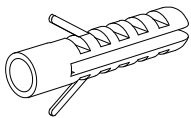
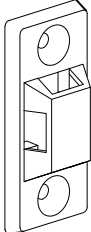
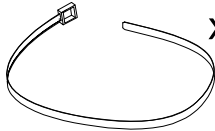
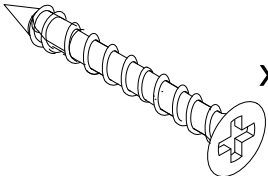
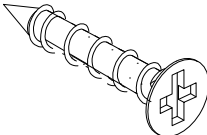
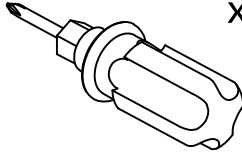


Installation:
15minutes.



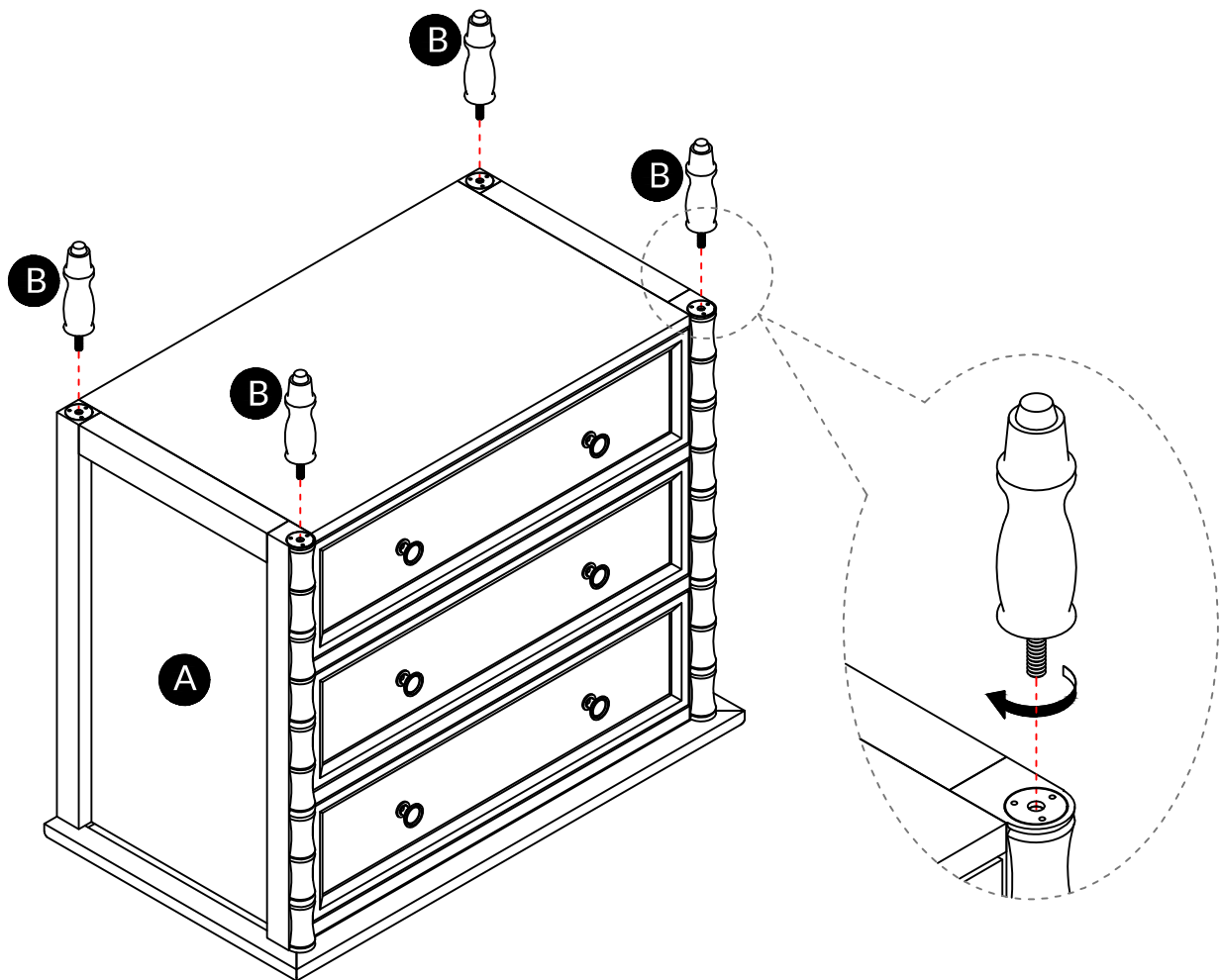
Two Person

Hardware List

| | | |
|--|---|---|
| <p>1</p>  <p>x4</p> | <p>2</p>  <p>x4</p> | <p>3</p>  <p>x2</p> |
| <p>4</p>  <p>x4</p> <p>D4x40mm</p> | <p>5</p>  <p>x4</p> <p>D4x20mm</p> | <p>6</p>  <p>x1</p> |
| | | |
| | | |

Step 1

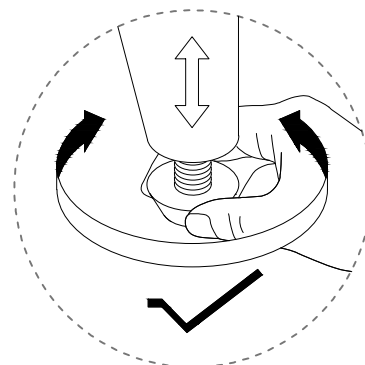
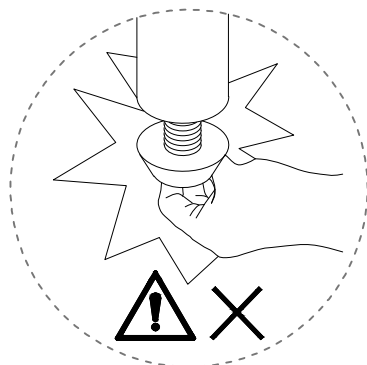
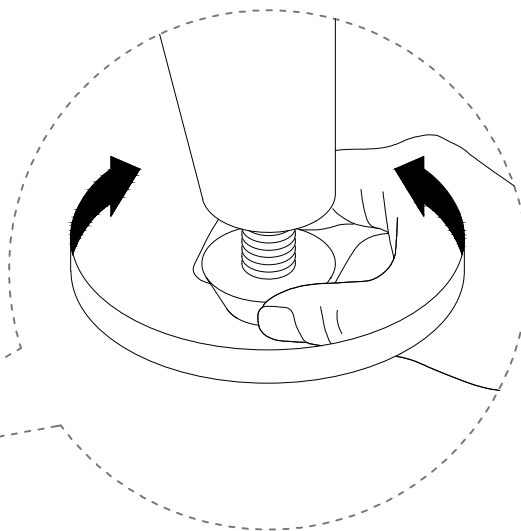
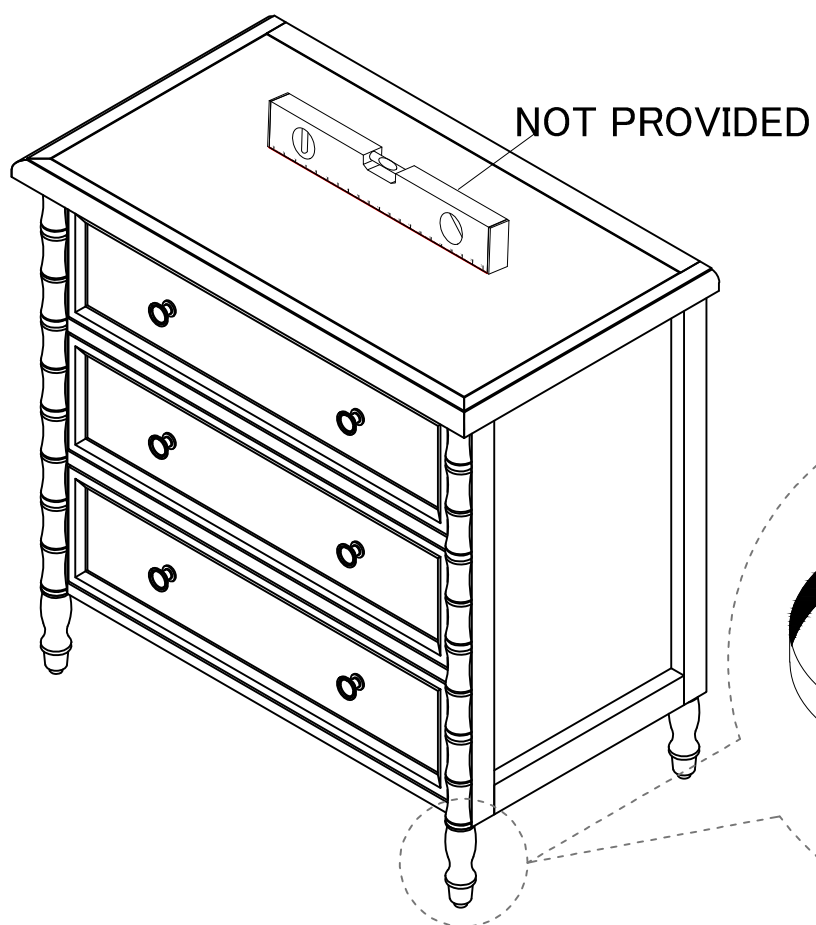
As shown in the figure: Rotate the foot (B) in the direction indicated by the arrow into the corresponding hole of the cabinet (A).



Step 2

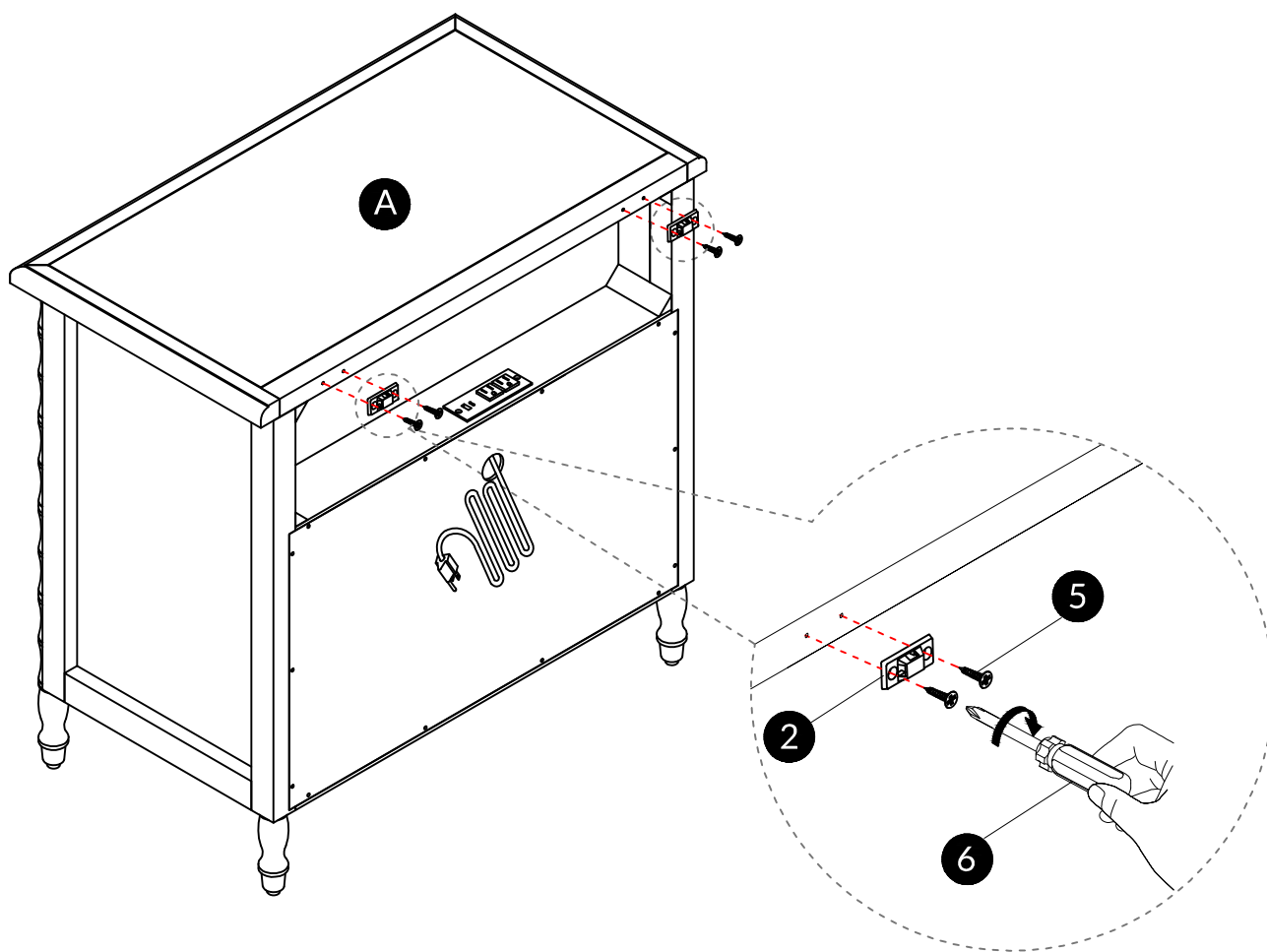


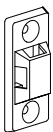
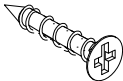
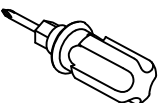
Attention:
Before the next step, adjust the feet of
the locker to keep it level.



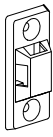
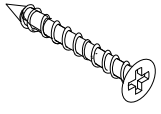

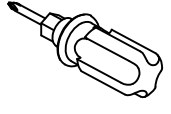
Step 3

Use screw 5 to attach part 2 to back (A) , tight screw with screwdriver 6.



| 2 | x2 | 5 | x4 | 6 | x1 |
|---|----|---|----|---|----|
|  | |  | |  | |
| | | D4x20mm | | | |

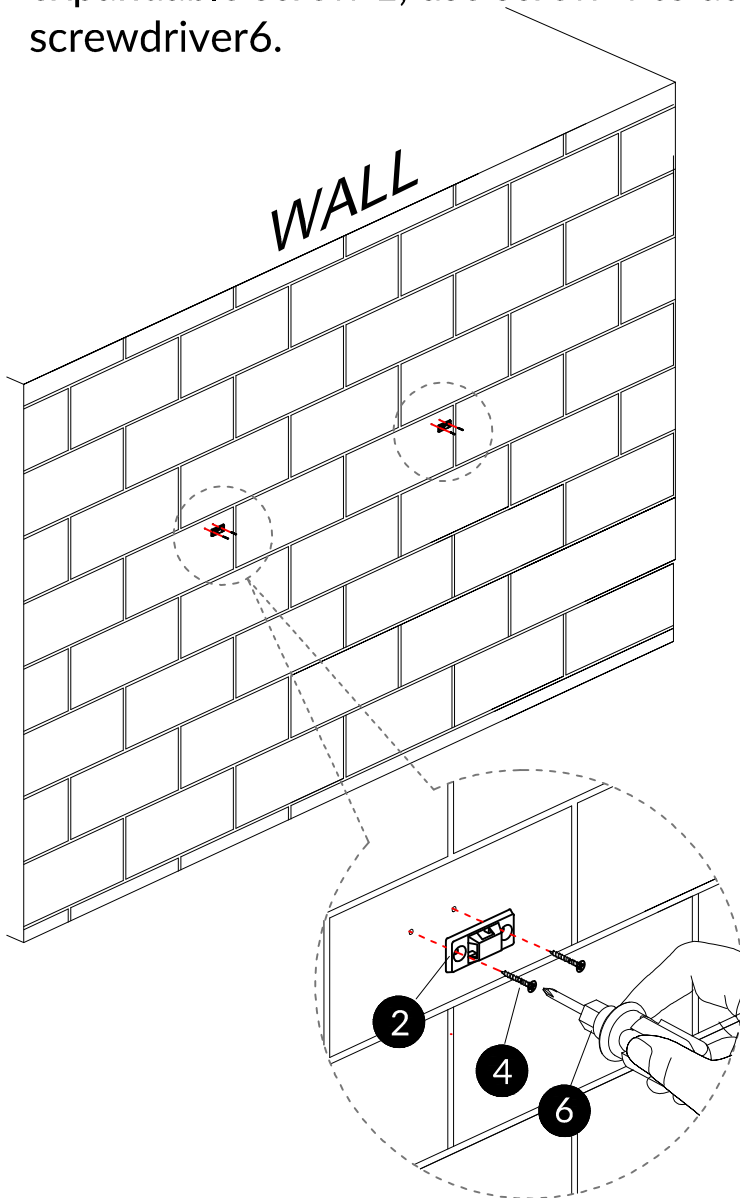
Step 4

| 2 | x2 | 4 | x4 | 1 | x4 | 6 | x1 |
|---|----|--|----|---|----|---|----|
|  | |  | |  | |  | |
| | | D4x40mm | | | | | |

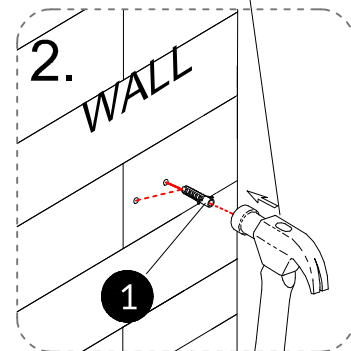
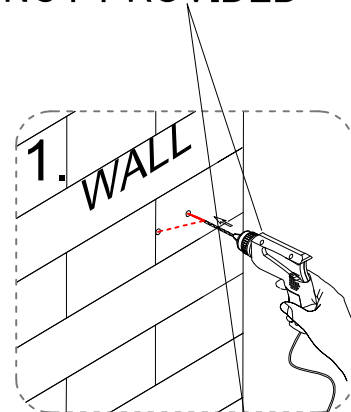
1. Install the anti-collapse device.

2. Mark the position on the wall, that corresponds to the location of part 2 on the of panel (A); Drill and insert the expandable screw 1 by hammer.

3. Assemble the part 2 to the wall. Align the hole in the part 2 with the expandable screw 1, use screw 4 to attach it and tighten by screwdriver 6.

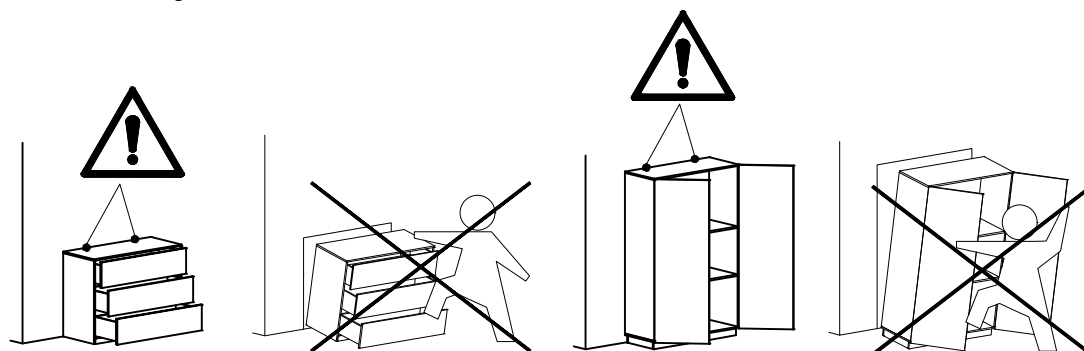
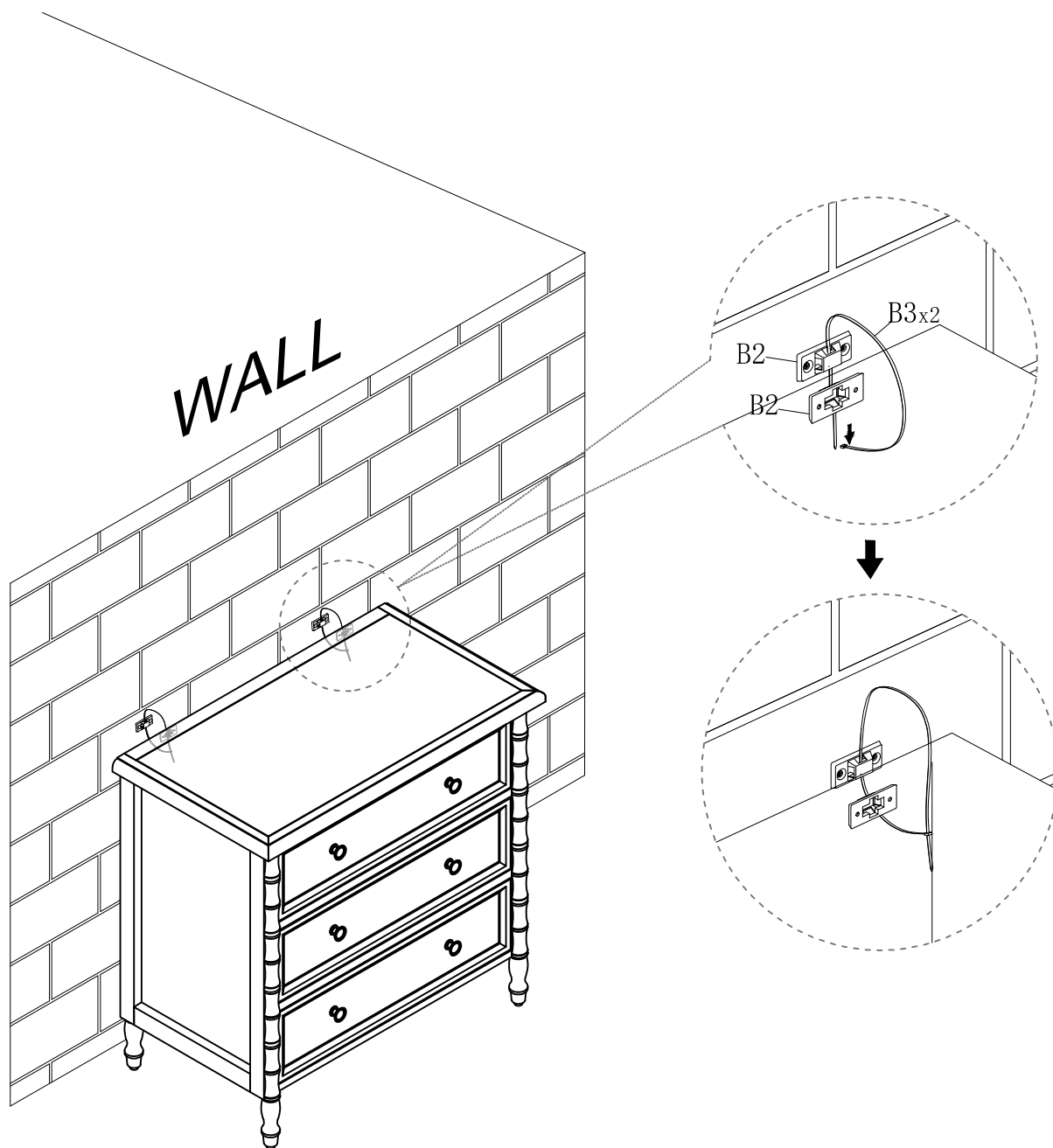


NOT PROVIDED



Step 5

Let the plastic belt 3 pass through the both part 2 and pull tightly.



WARRANTY

- We strive to offer quality products, and we also try our best to satisfy every customer who orders from us with products or services as needed.
- We provide 30 days warranty starting from the time you receive the item. Each customer must provide a record of their orders such as the order number, or item receipt for any items that are out of the warranty period you may also still receive.
- Replacement parts by purchasing them from our company if they are available.
- For return, please check the return policy with the retailer or market place you bought from

Appreciate your purchasing from us.
Pop up your life by our furniture piece!