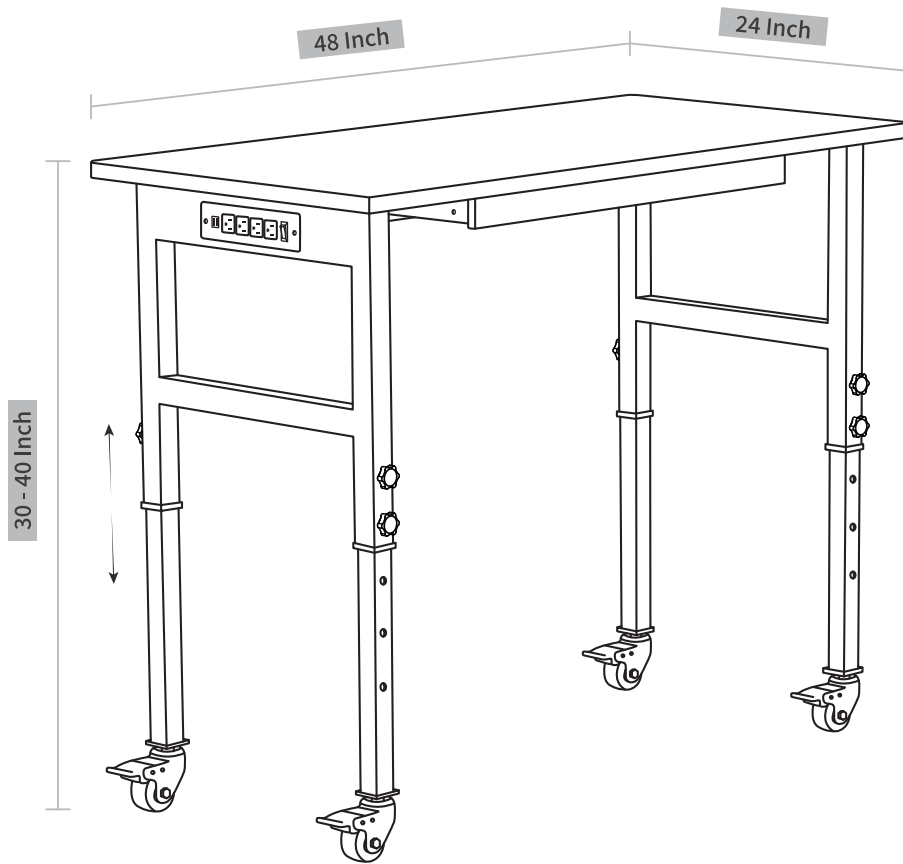
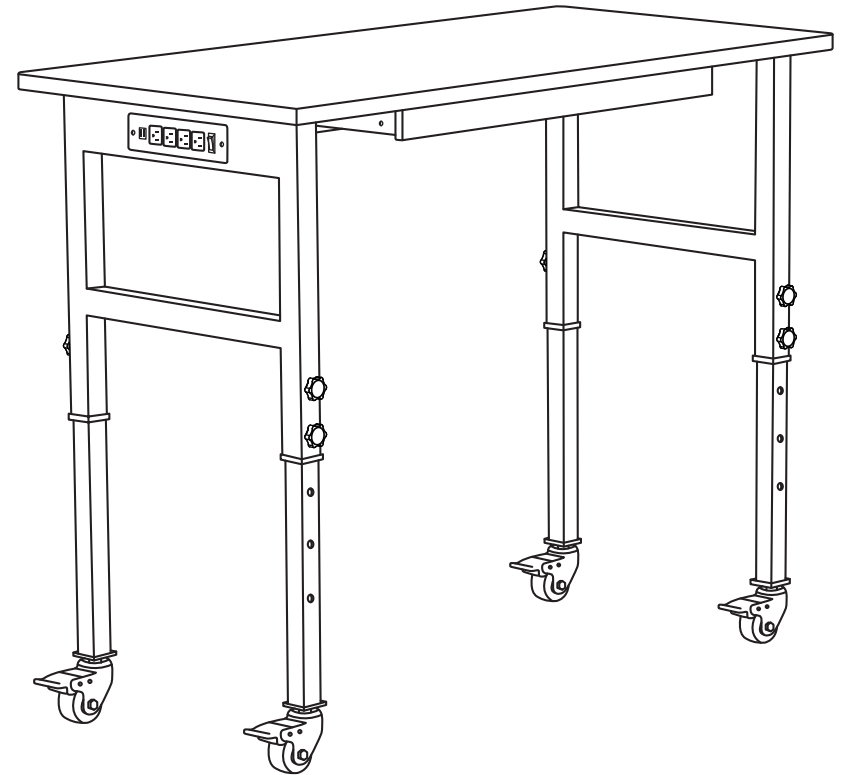


Step 7 Finish



48" Adjustable Workbench USER'S MANUAL

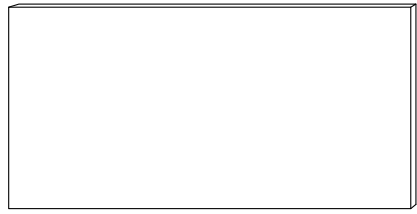


TH060710-48A

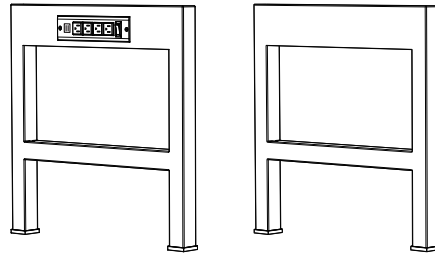
WARNING!

- 1.The manual contains very important safety information, please read it carefully before assembling.
- 2.Check carefully the box when you receive, if there is any damage, pls take a picture for record, contact our service team for help.
- 3.The workbench can be dangerous if it is not properly installed. Fasten all bolts, nuts, screws before using it.
- 4.Don't overload product on the workbench, it is restricted to 2000 LBS.
- 5.When you use the workbench, make sure all casters are locked, or it can be very dangerous.
- 6.Keep away from children. It will be dangerous if your children are playing on it.
- 7.Keep workbench away from water, moisture.

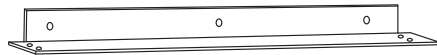
PART LIST



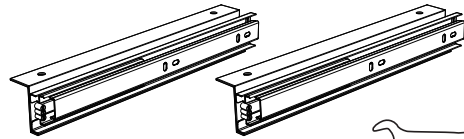
Ⓐ Board x1



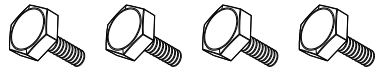
Ⓑ Leg x2



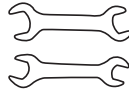
Ⓒ Support x1



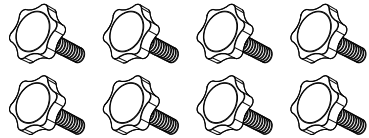
Ⓕ Drawer Track x2



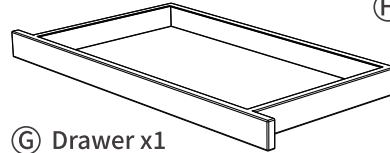
Ⓓ M10x20 Bolt x4



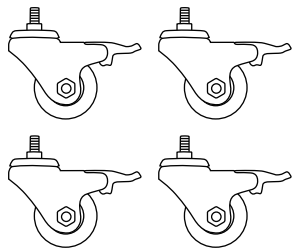
Ⓗ Tool x2



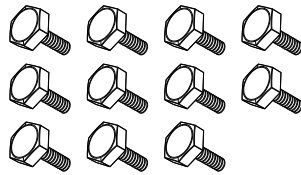
Ⓔ Adjustable Knob x8



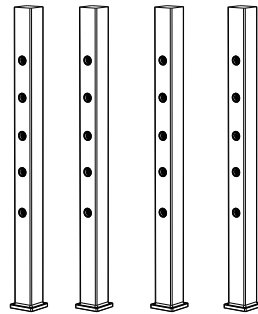
Ⓖ Drawer x1



Ⓘ Caster x4



Ⓙ M8x16 Bolt x11



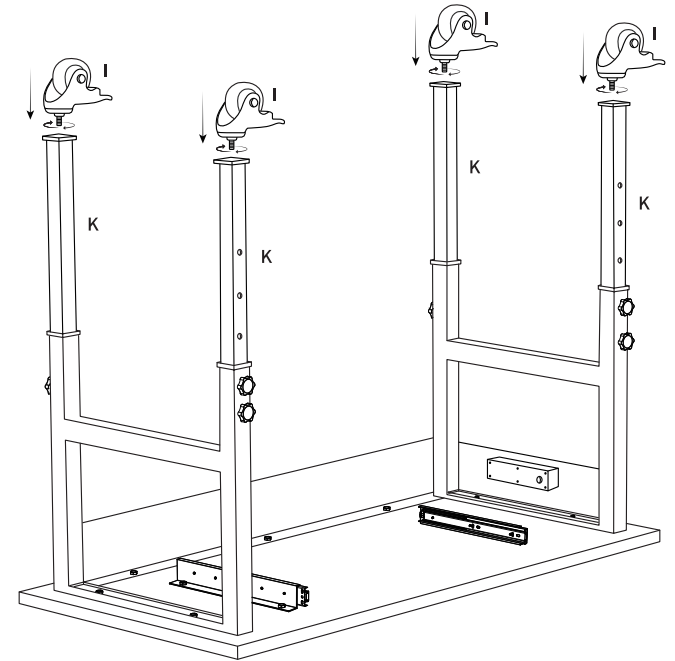
Ⓚ Leg Extend x4

Tips:

- Don't fasten all bolts and nuts tightly at first, you may need to rework if you make some mistake.
- We recommend that 2 adults are required to complete the installation.

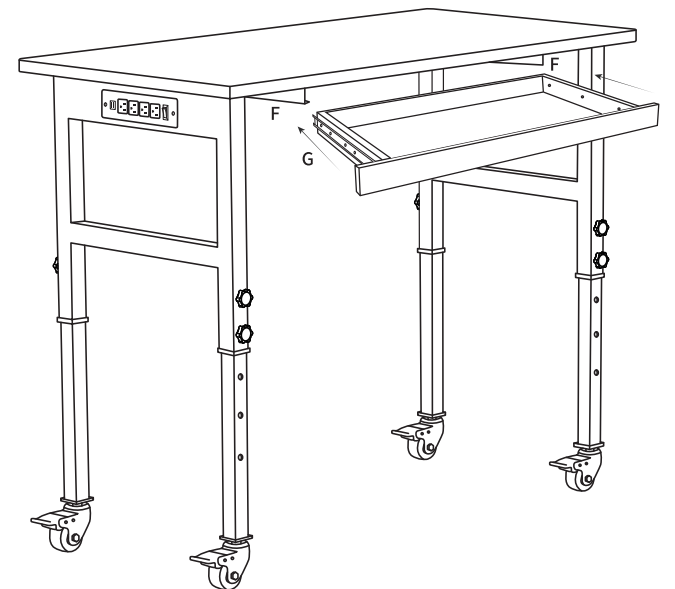
Step 5 Install Casters On Leg Extend

- Ⓘ Caster x4
- Ⓚ Leg Extend x4



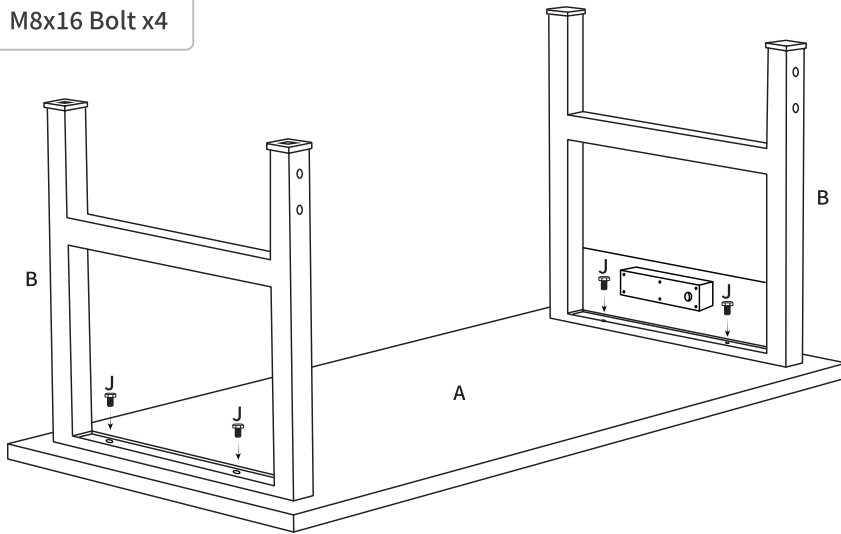
Step 6 Install The Drawer

- Ⓕ Drawer Track x2
- Ⓖ Drawer x1



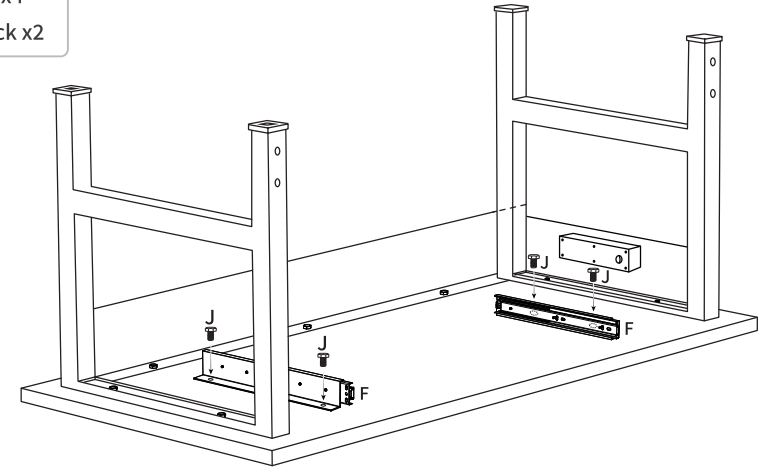
Step 1 Fasten Legs To The Board

- Ⓐ Board x1
- Ⓑ Leg x2
- ⓙ M8x16 Bolt x4



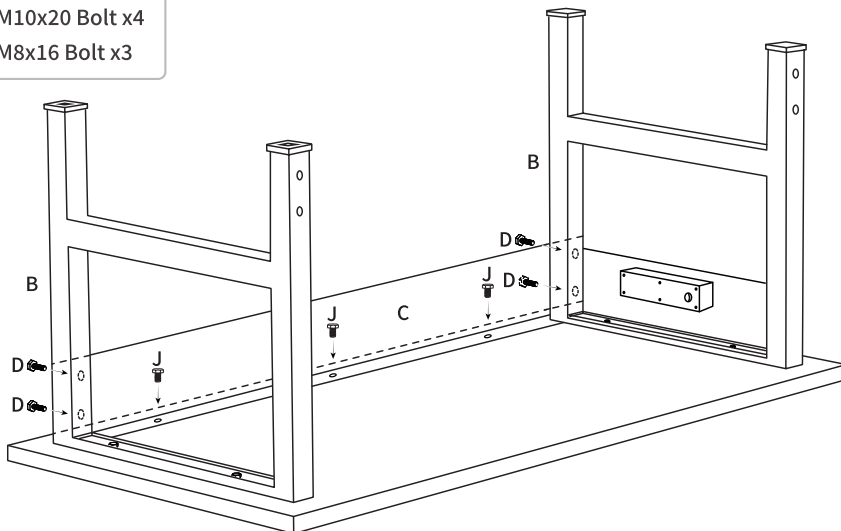
Step 3 Install The Drawer Tracks to Board

- ⓙ M8x16 Bolt x4
- Ⓕ Drawer Track x2



Step 2 Fasten Support To Board And Legs

- Ⓑ Leg x2
- Ⓒ Support x1
- Ⓓ M10x20 Bolt x4
- ⓙ M8x16 Bolt x3



Step 4 Fasten Leg Extend To Legs

- Ⓑ Leg x2
- Ⓔ Adjustable Knob x8
- Ⓚ Leg Extend x4

