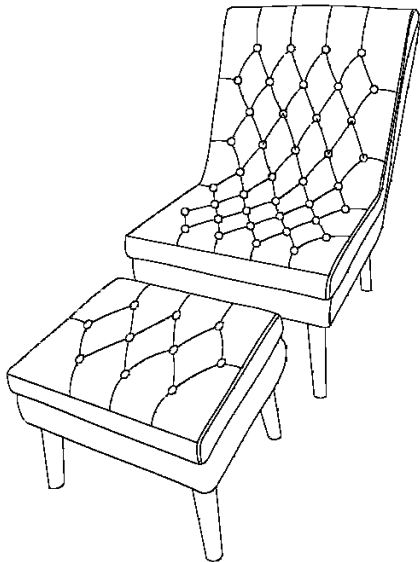






ARMLESS CHAIR & OTTOMAN

Thank you for purchasing the **CHAIR AND OTTOMAN!** Before you start, here are some helpful advice:

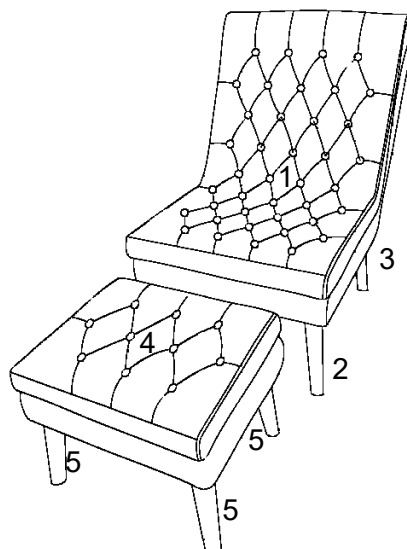
1. We suggest you spend a short time reading through this leaflet and then follow the simple step-by-step instructions.
2. Owing to the size and weight of the chair, we recommend that it is assembled by two adults, on a carpeted or padded area, in the room that it is intended for. Approximate assembly time: 45 minutes.
3. Please do not use any tools other than those provided or recommended in these instructions.
4. Please do not throw away any of the packaging or the instruction until you have checked all the components and hardware and the furniture is fully assembled. Please ensure that the packaging is disposed of in a safe and environmentally friendly way.
5. Assemble all components loosely until advised to tighten. Depending on use, it may be necessary to tighten the components from time to time, so please save the tools that have been provided.
6. Please keep all fitting out of reach of children.



Hardware:

A		Short Bolt M8x60mm	x8
B		Long Bolt M8x70mm	x8
C		Flat Washer M8	x16
D		Allen Wrench M5	x1

Component:



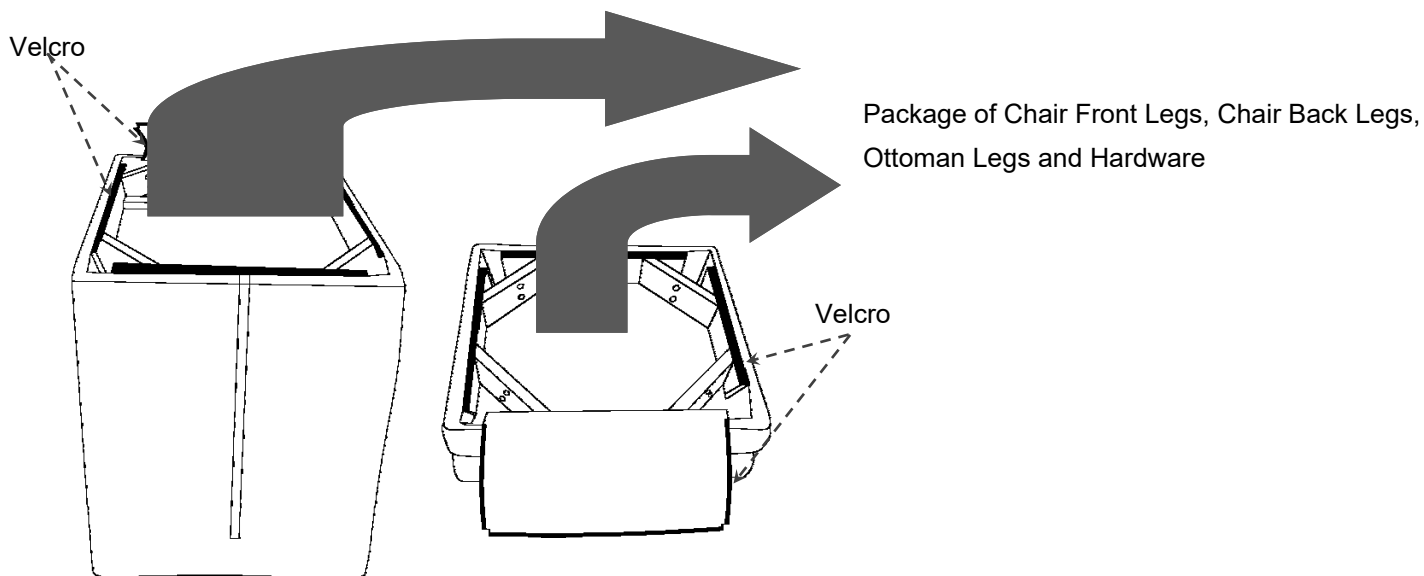
1	Chair Body	x1	2	Chair Front Leg	x2	3	Chair Back Leg	x2
4	Ottoman Body	x1	5	Ottoman Leg	x4			

ARMLESS CHAIR & OTTOMAN

STEP 1:

Put **Chair Body (1)** and **Ottoman Body (4)** upside down on a carpeted or padded surface.

Open Velcro on bottom of **Chair Body (1)**, **Ottoman Body (4)** and find the package of **Front Legs (2)**, **Back Legs (3)**, **Ottoman Legs (5)** and Hardware as shown.



STEP 2:

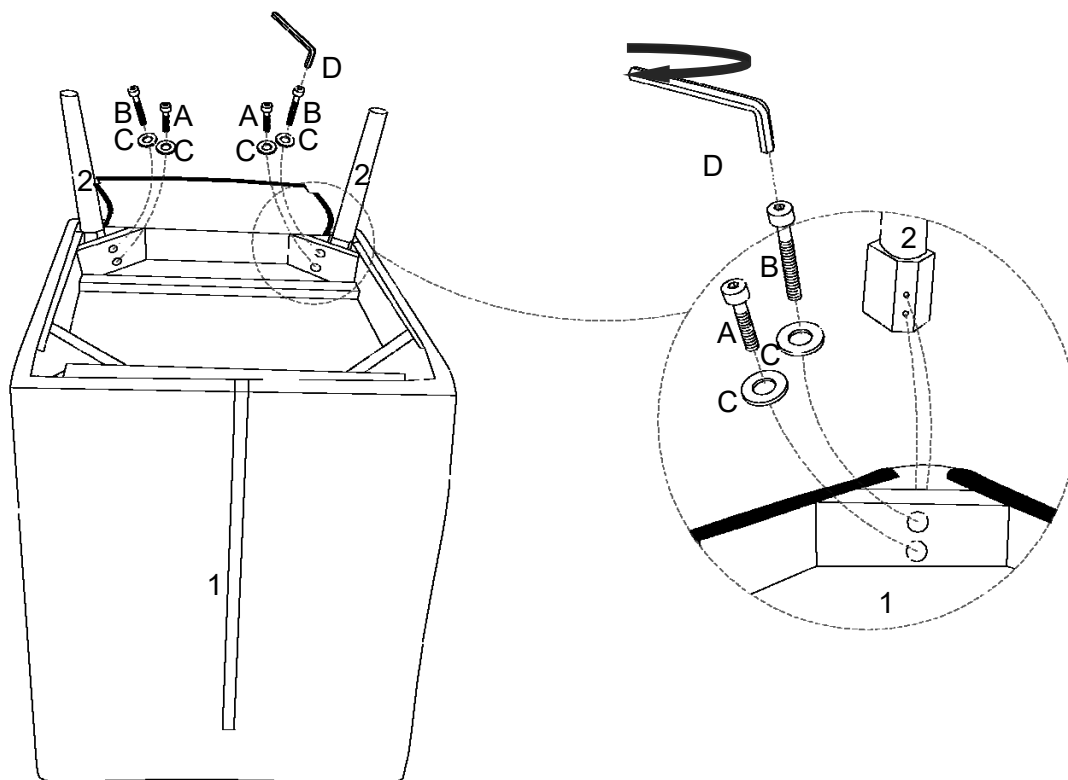
Make the position for assembling **Chair Front Legs (2)** and **Chair Back Legs (3)** fully visible.

Place 2 pieces of **Chair Front Leg (2)** to the front position of **Chair Body (1)** as shown.

Insert 2 pieces of **Short Bolt (A)** with 2 pieces of **Flat Washer (C)** into the bottom pre-drilled holes on **Chair Front Legs (2)** through the bottom pre-drilled on the front of **Chair Body (1)**.

Insert 2 pieces of **Long Bolt (B)** with 2 pieces of **Flat Washer (C)** into the top pre-drilled holes on **Chair Front Legs (2)** through the top pre-drilled on the front of **Chair Body (1)**.

Use **Allen Wrench (D)** to tighten **Short Bolts (A)** and **Long Bolts (B)**. Do not fully tighten the **Bolts (A&B)** at this step.



Ax2	Bx2	Cx4	Dx1

Hardware & Tools required

ARMLESS CHAIR & OTTOMAN

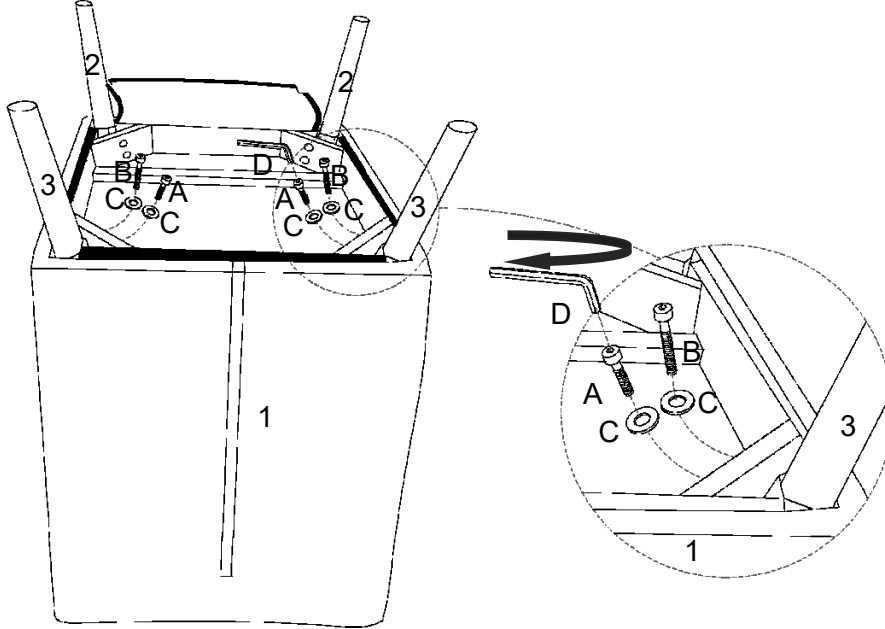
STEP 3:

Place 2 pieces of **Chair Back Leg (3)** to the front position of **Chair Body (1)** as shown.

Insert 2 pieces of **Short Bolt (A)** with 2 pieces of **Flat Washer (C)** into the bottom pre-drilled holes on **Chair Back Legs (3)** through the bottom pre-drilled on the front of **Chair Body (1)**.

Insert 2 pieces of **Long Bolt (B)** with 2 pieces of **Flat Washer (C)** into the top pre-drilled holes on **Chair Back Legs (3)** through the top pre-drilled on the front of **Chair Body (1)**.

Use **Allen Wrench (D)** to tighten **Short Bolts (A)** and **Long Bolts (B)**. Do not fully tighten the **Bolts (A&B)** at this step.



Ax2	Bx2	Cx4	Dx1

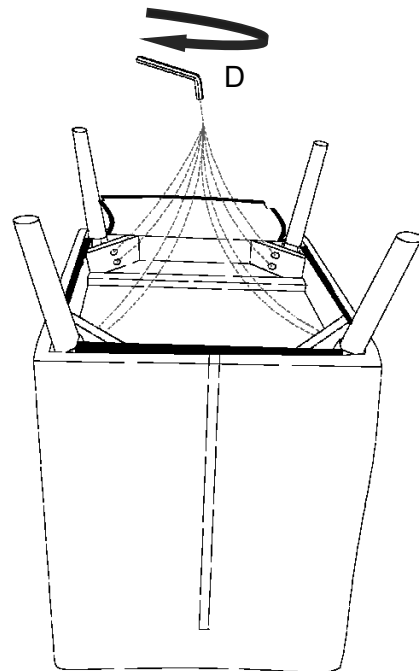
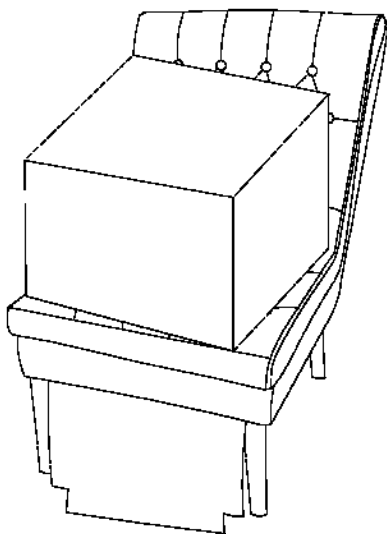
Hardware & Tools required

STEP 4:

Carefully turn over the assembled chair.

Please put a heavy object or seat one adult on top of the assembled Chair to pressure the chair for leveling.

Turn upside down again, then use **Allen Wrench (D)** to tighten **Short Bolts (A)** and **Long Bolts (B)** clockwise until secure.



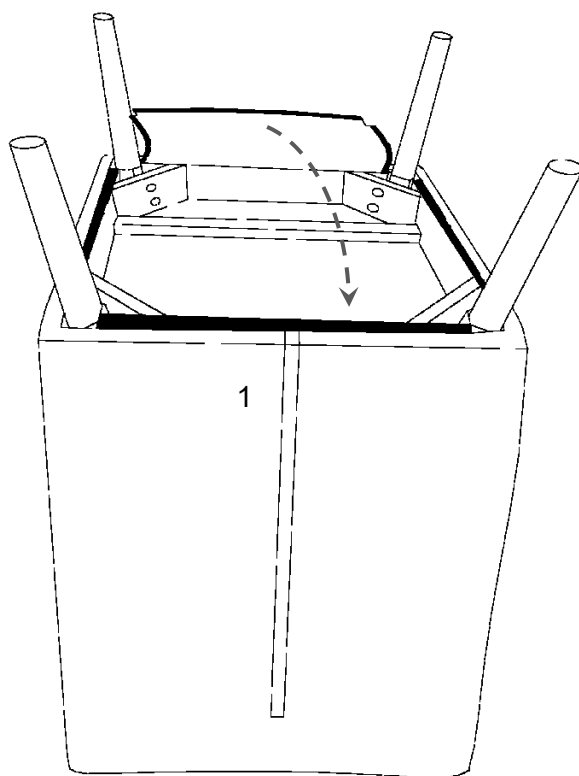
Dx1

Hardware & Tools required

ARMLESS CHAIR & OTTOMAN

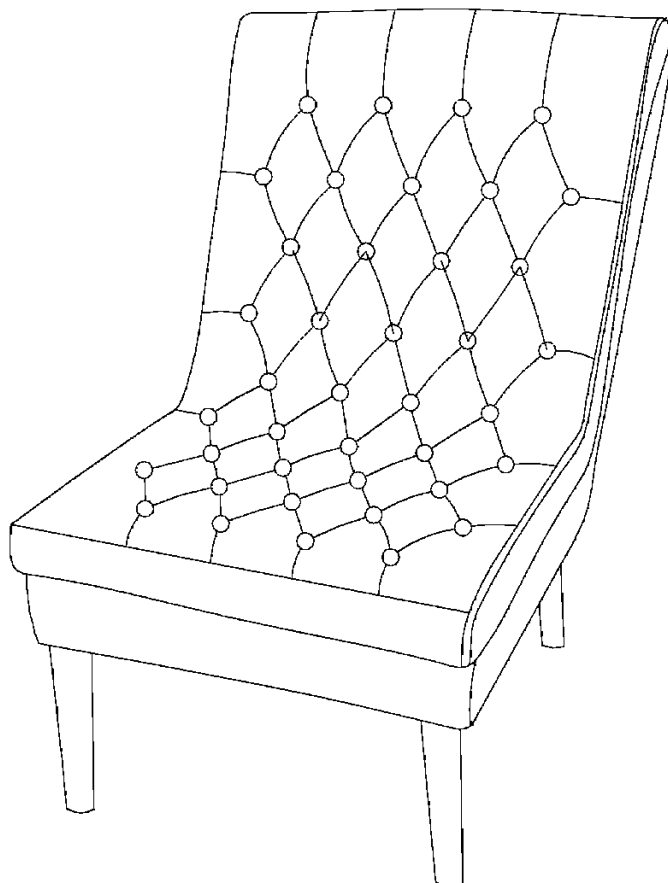
STEP 5:

Carefully cover the bottom of **Chair Body (1)** by Velcro as shown.



STEP 6:

Carefully turn over the assembled Chair.



ARMLESS CHAIR & OTTOMAN

STEP 7:

Make the position for assembling **Ottoman Legs (5)** fully visible.

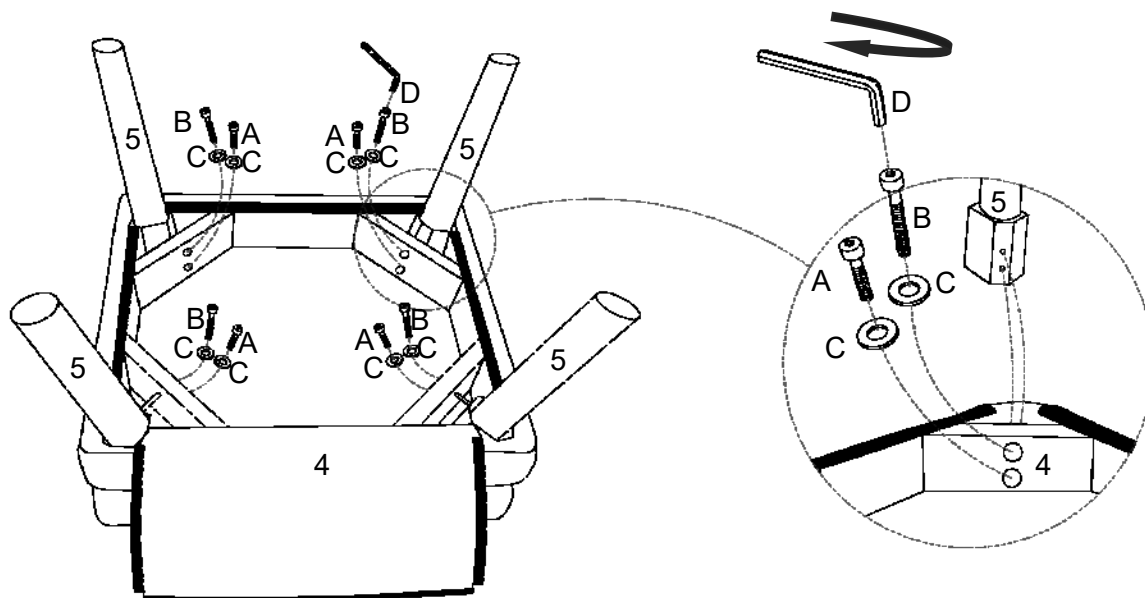
Place 4 pieces of **Ottoman Legs (5)** to the position of **Ottoman Body (4)** as shown.

Insert 1 piece of **Short Bolt (A)** with 1 piece of **Flat Washer (C)** into the bottom pre-drilled holes on **Ottoman Legs (5)** through the bottom pre-drilled on **Ottoman Body (4)**.

Insert 1 piece of **Long Bolt (B)** with 1 piece of **Flat Washer (C)** into the top pre-drilled holes on **Ottoman Legs (5)** through the top pre-drilled on **Ottoman Body (4)**.

Repeat the same steps for the remaining **Ottoman Legs (5)**.

Use **Allen Wrench (D)** to tighten **Short Bolts (A)** and **Long Bolts (B)**. Do not fully tighten the **Bolts (A&B)** at this step.



Ax4	Bx4	Cx8	Dx1

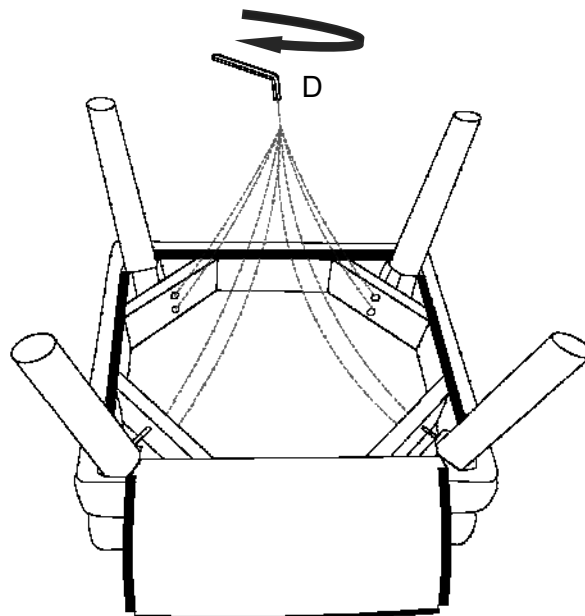
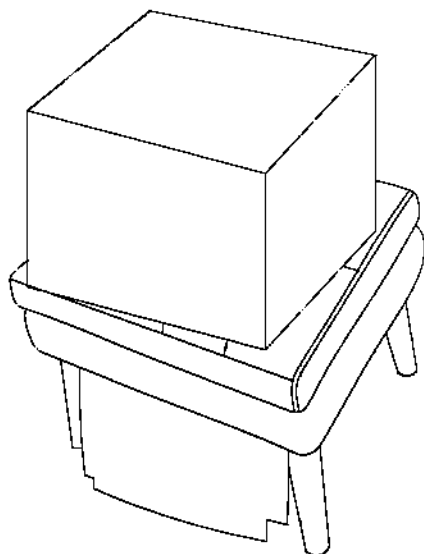
Hardware & Tools required

STEP 8:

Carefully turn over the assembled ottoman.

Please put a heavy object or seat one adult on top of the assembled ottoman to pressure the chair for leveling.

Turn upside down again, then use **Allen Wrench (D)** to tighten **Short Bolts (A)** and **Long Bolts (B)** clockwise until secure.



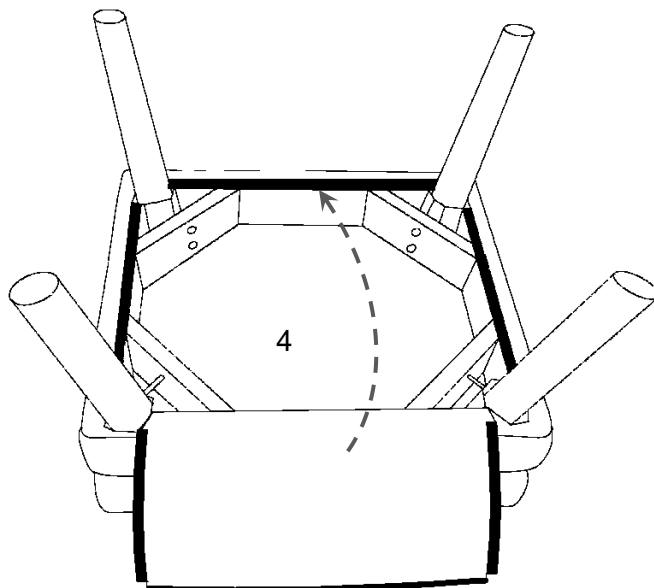
Dx1

Hardware & Tools required

ARMLESS CHAIR & OTTOMAN

STEP 9:

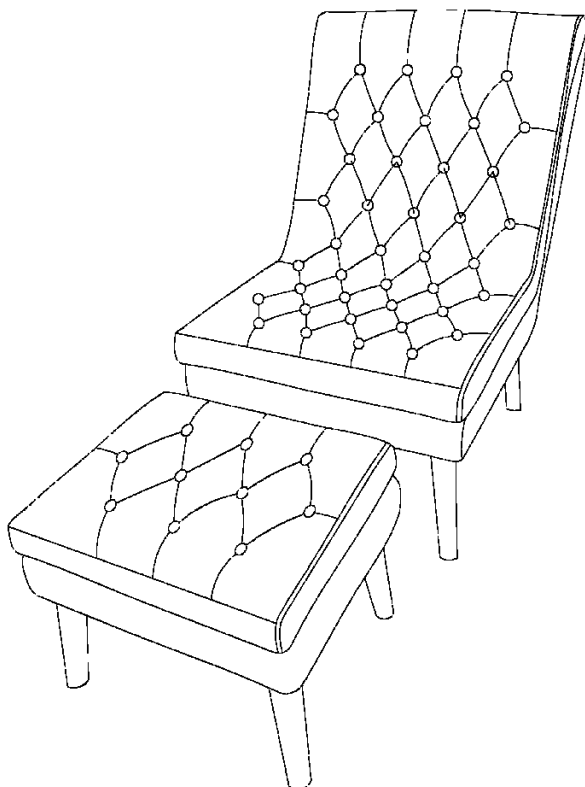
Carefully cover the bottom of **Ottoman Body (4)** by Velcro as shown.



STEP 10:

Carefully turn over the assembled Ottoman.

Place the assembled Chair and Ottoman to the position you desired.



Assembly is complete. Your chair and ottoman are ready to be used now!