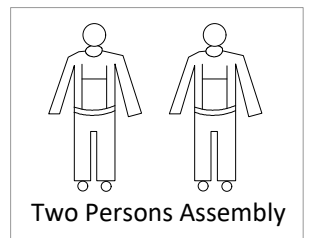
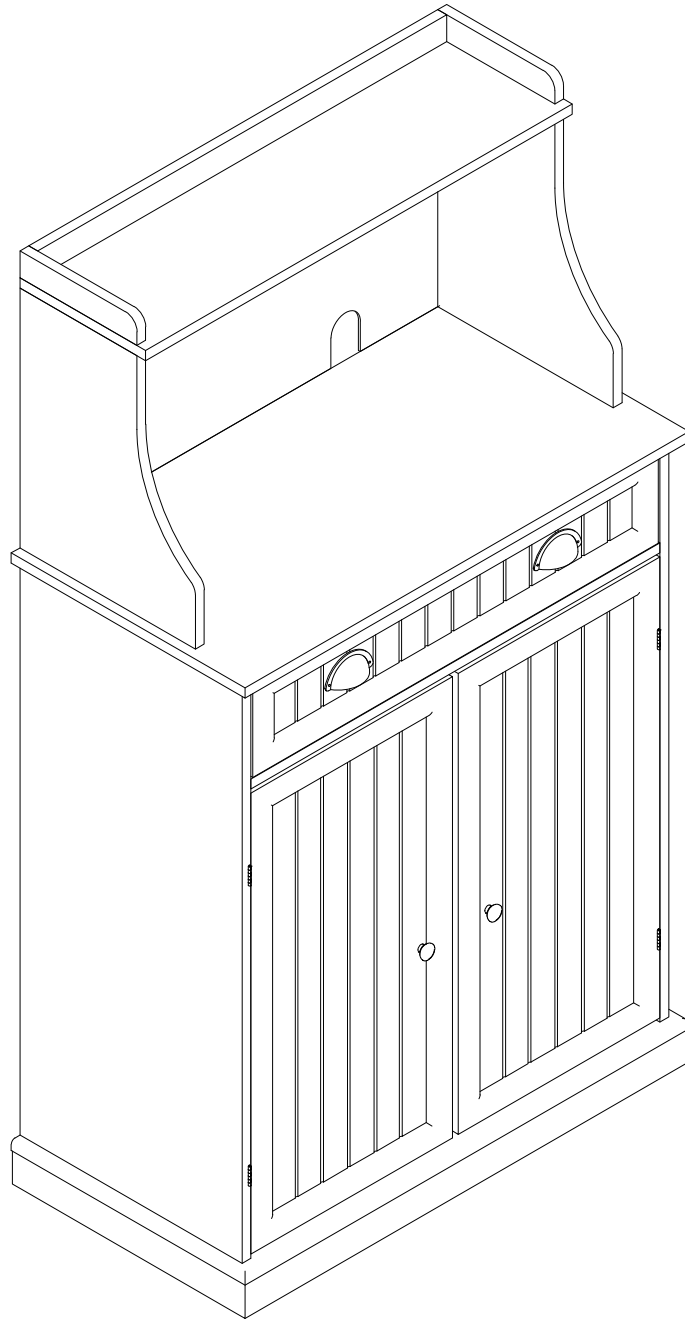
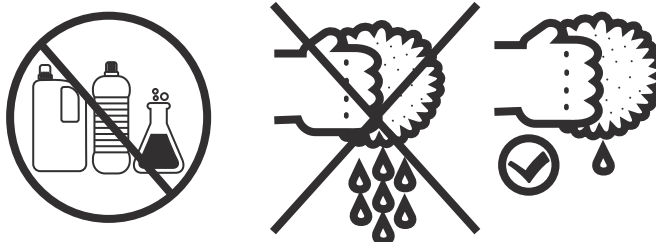
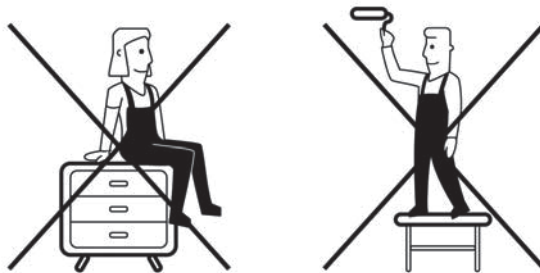
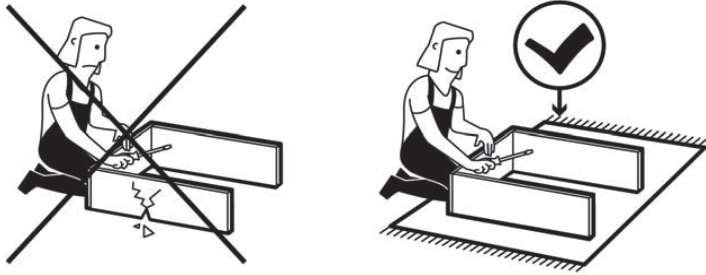
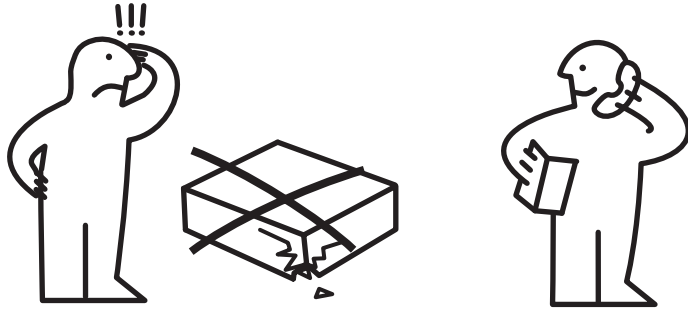
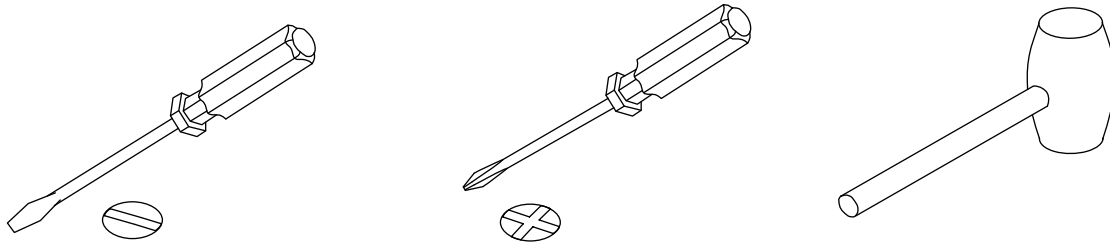


ASSEMBLY INSTRUCTIONS



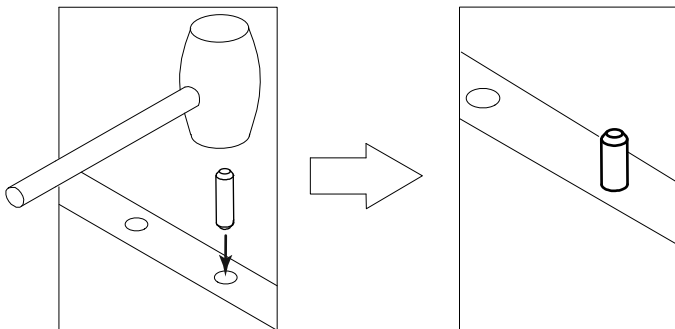


ASSEMBLY TOOLS REQUIRED (NOT INCLUDED)



- * Before discarding packing materials, please check all parts and hardware are presented.
- * Please follow the instructions closely.
- * After few days of initial assembly, the product may have acclimated to new environment, please tighten all hardware again.

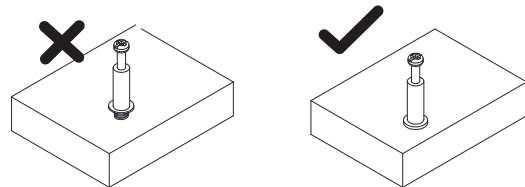
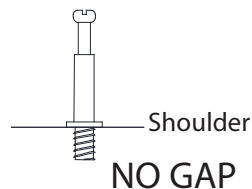
Dowel Installation



Gently tap dowel into hole with rubber mallet.

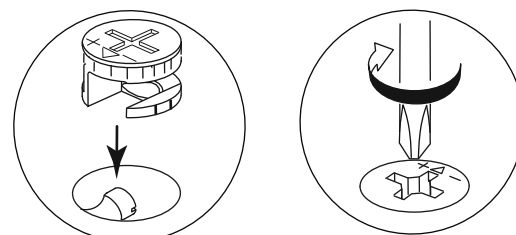
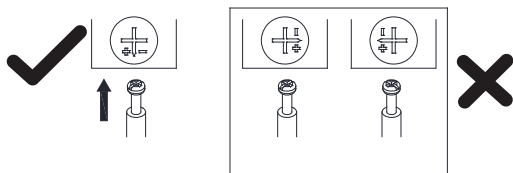
CAM-LOCK

Tighten until shoulder is flush with panel. Do not overtighten or undertighten

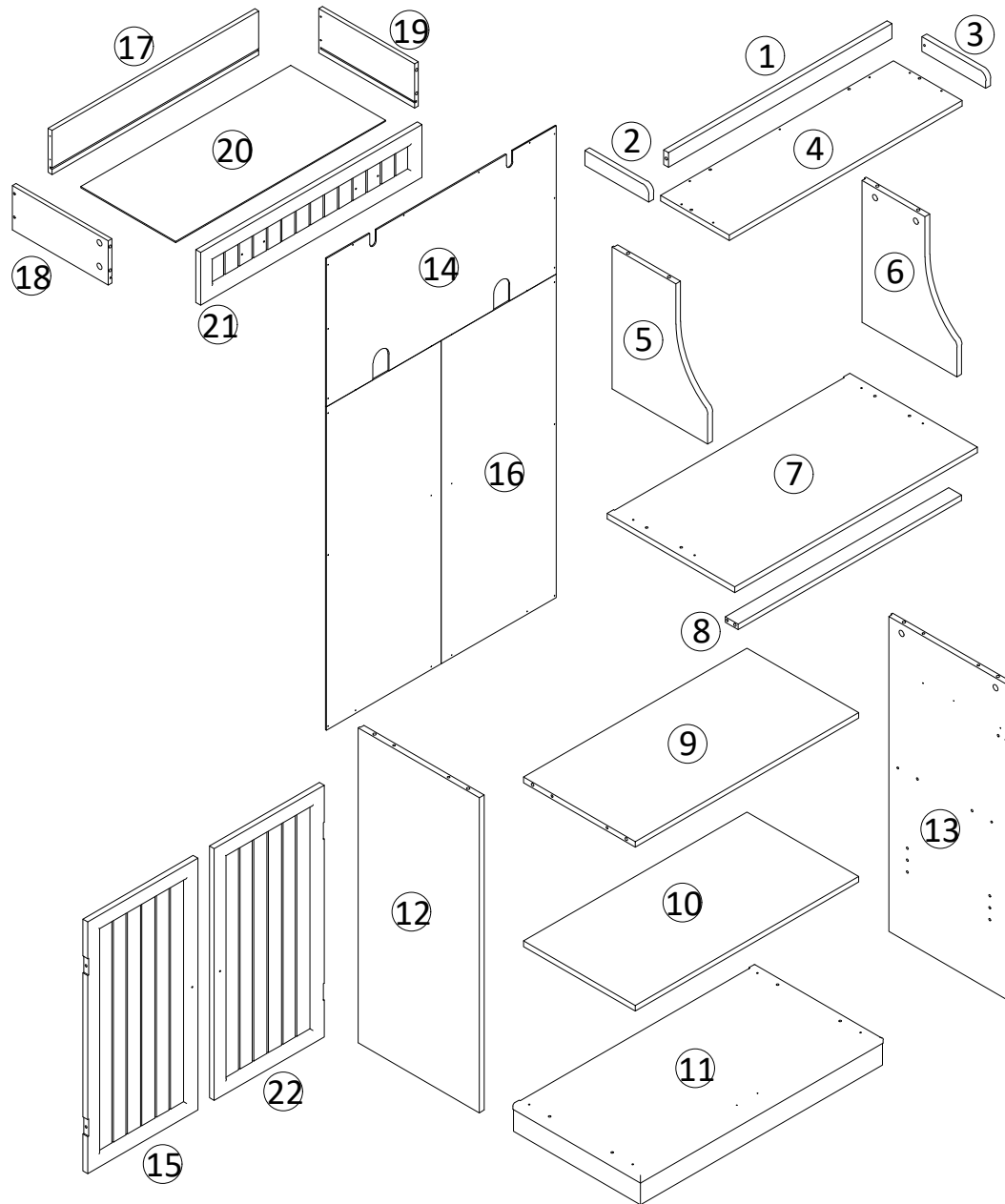


WHEN FITTING CAMS

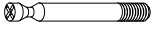

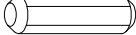
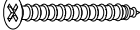

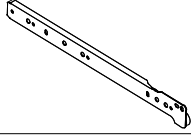
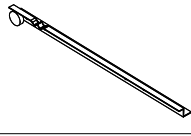
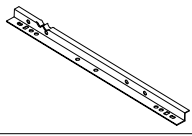
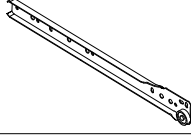
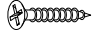
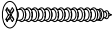
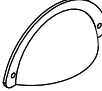

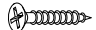
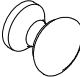
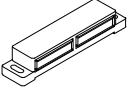
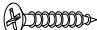
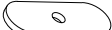



ENSURE STARTING POSITION IS CORRECT BEFORE YOU INSERT CONNECTING CAM-PILLAR TURN CLOCKWISE UNTIL SECURE



Laying out all the parts and hardware and identifying each part as shown below. It may help you when you assemble the item.

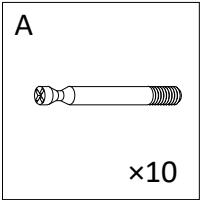
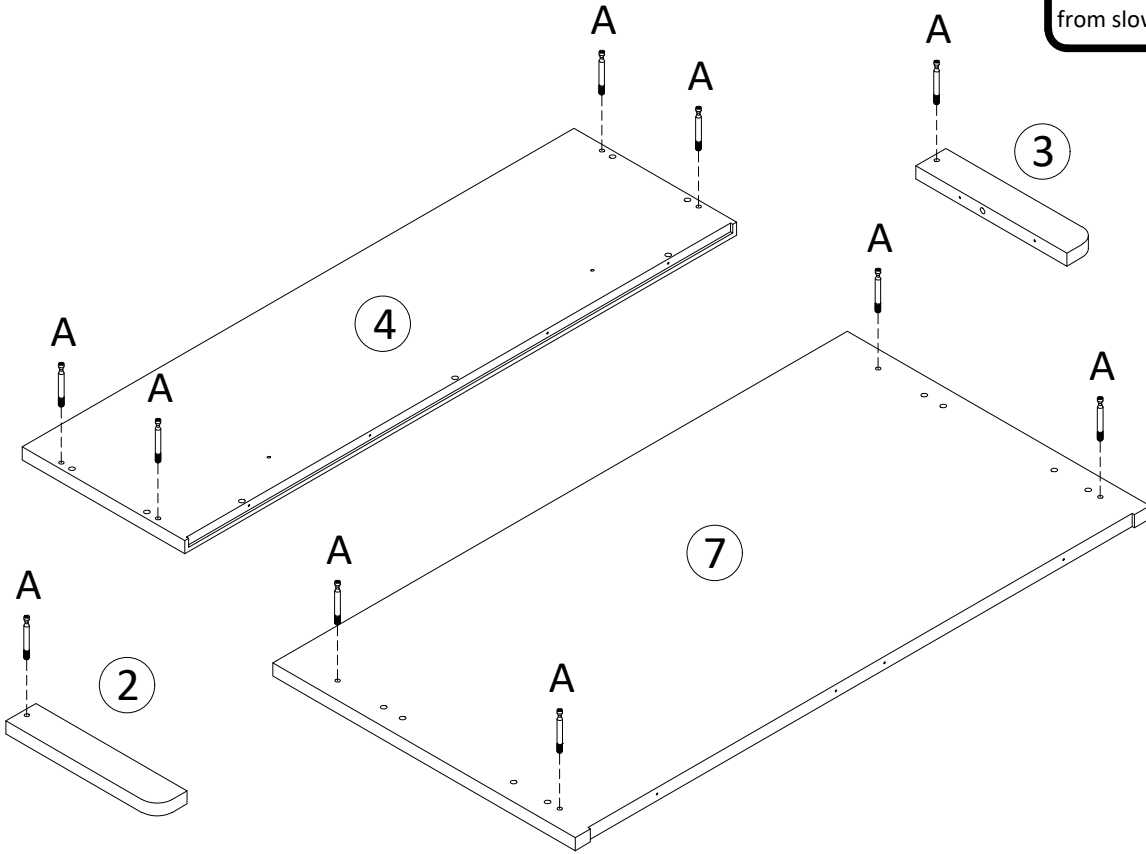


① × 1	② × 1	③ × 1	④ × 1	⑤ × 1	⑥ × 1
⑦ × 1	⑧ × 1	⑨ × 1	⑩ × 1	⑪ × 1	⑫ × 1
⑬ × 1	⑭ × 1	⑮ × 1	⑯ × 1	⑰ × 1	⑱ × 1
⑲ × 1	⑳ × 1	㉑ × 1	㉒ × 1		

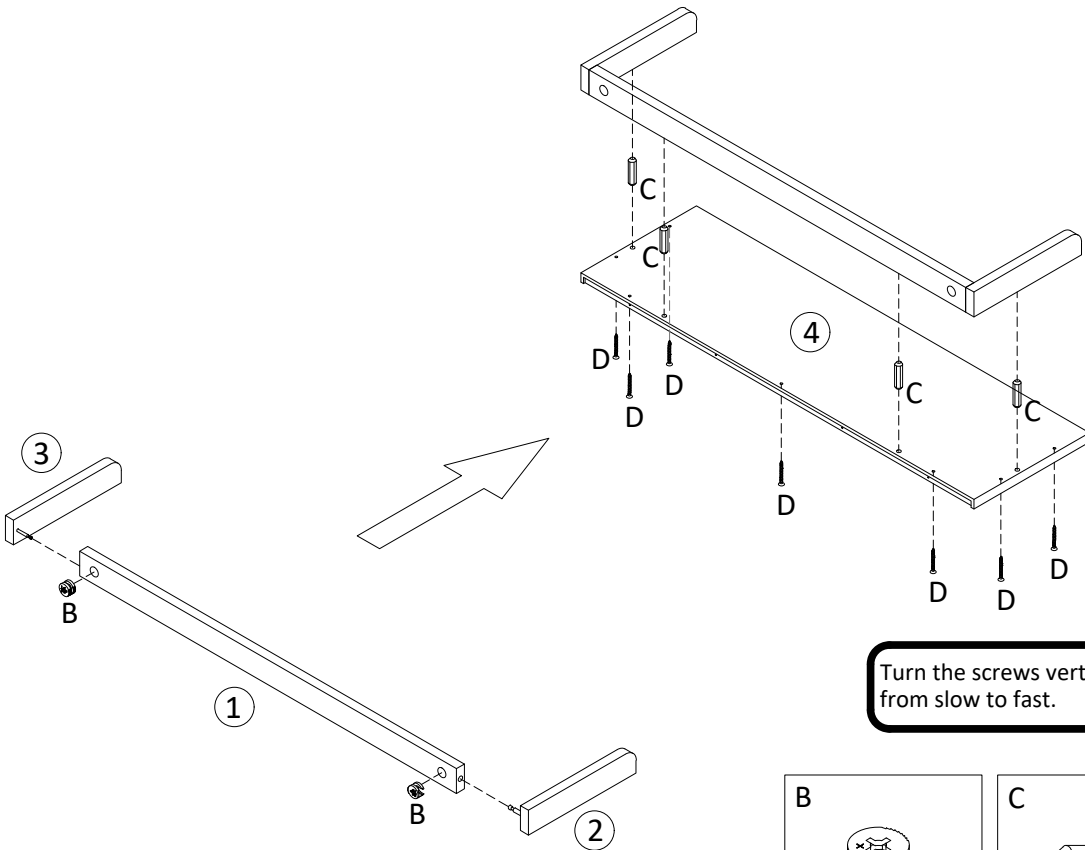
A	x20+2(Spare)	B	x20+2(Spare)	C	x22+2(Spare)	D	x15+2(Spare)	E	x4+1(Spare)
									
ø6×35mm		ø10×15mm		ø6×30mm		FA4×35mm			
CL	x1	DL	x1	DR	x1	CR	x1	J	x16+2(Spare)
									
300mm		300mm		300mm		300mm		FA3×12mm	
K	x4+1(Spare)	L	x2	M	x4	N	x20+2(Spare)	O	x2
									
FA3×30mm		M3.5×10mm				FA3×12mm			
P	x2	Q	x4+1(Spare)	R	x4	S	x26+2(Spare)	T	x2
									
72×15×12mm		FA3×14mm				FA3×12mm		FA4×40mm/FA4×12mm	
U	x4								
									

1

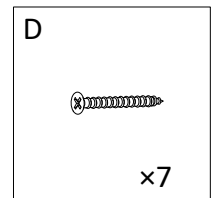
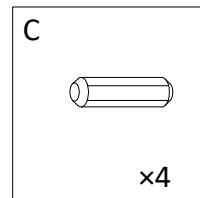
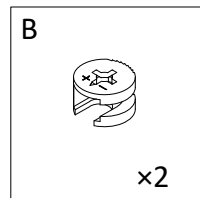
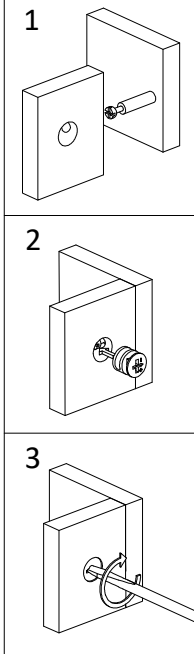
Turn the screws vertically from slow to fast.



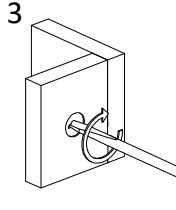
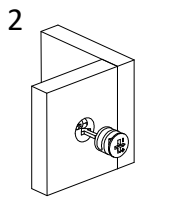
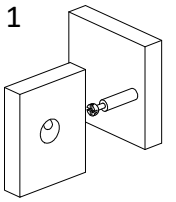
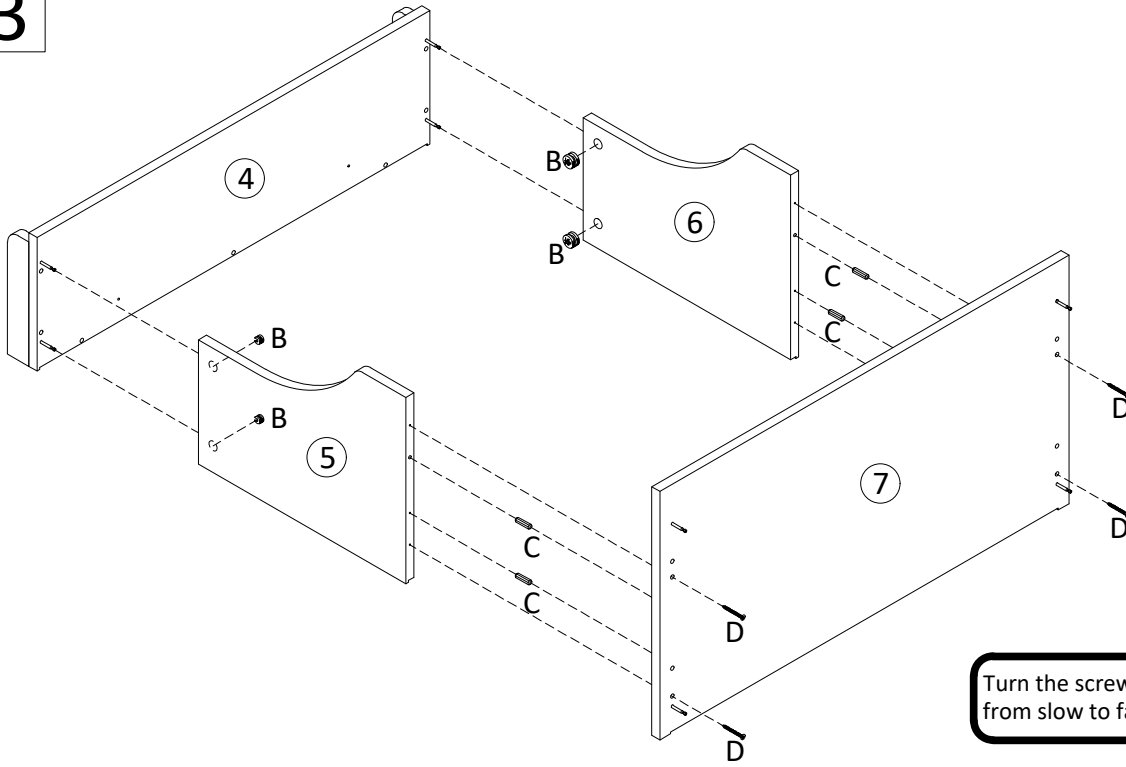
2



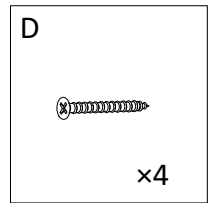
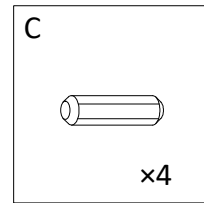
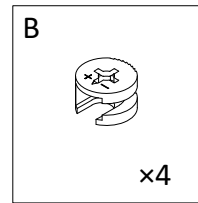
Turn the screws vertically from slow to fast.



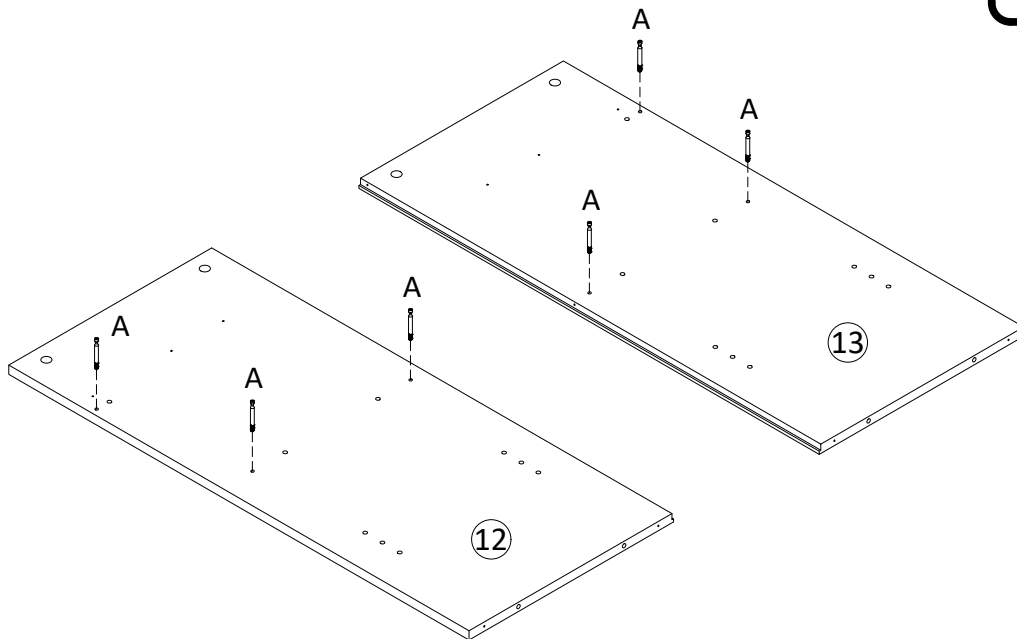
3



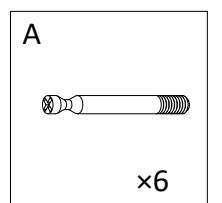
Turn the screws vertically from slow to fast.



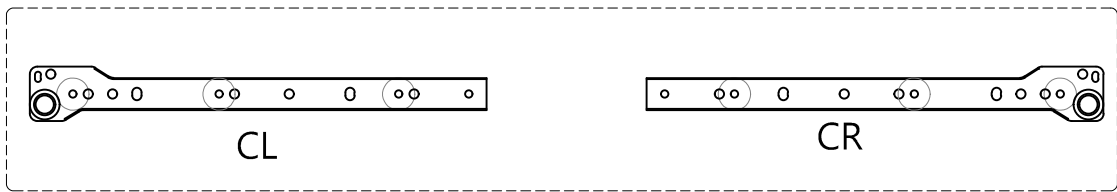
4



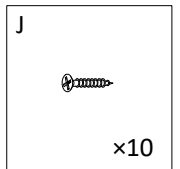
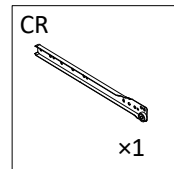
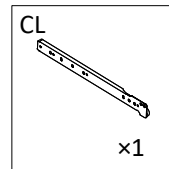
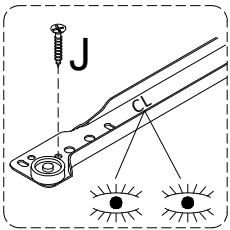
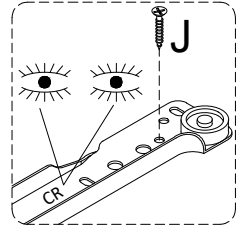
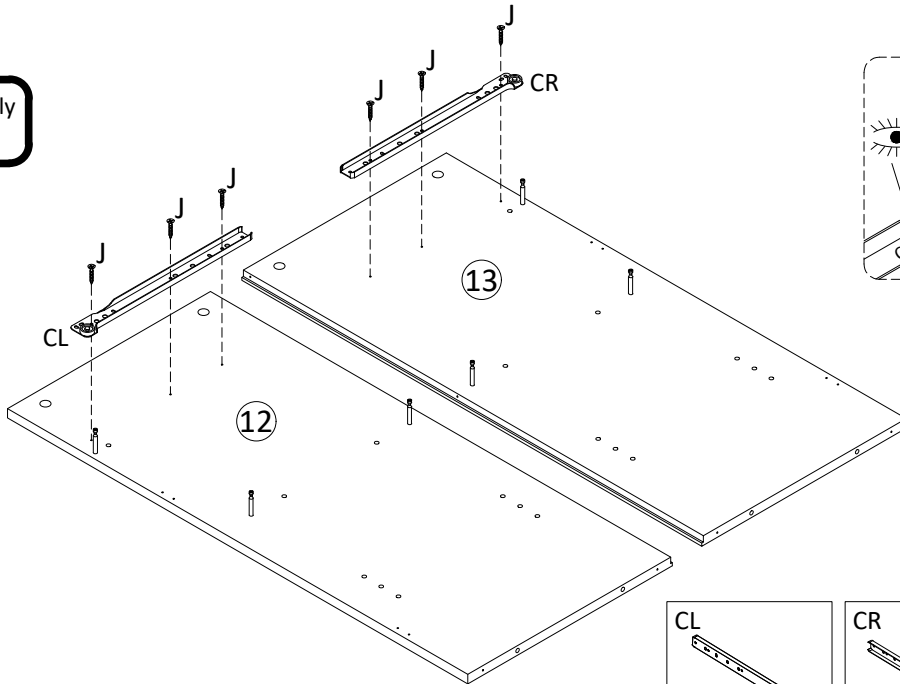
Turn the screws vertically from slow to fast.



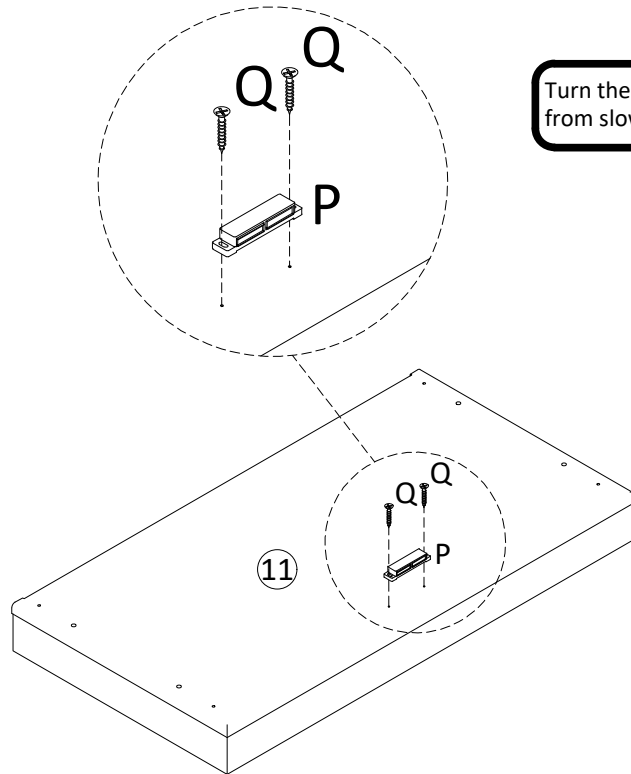
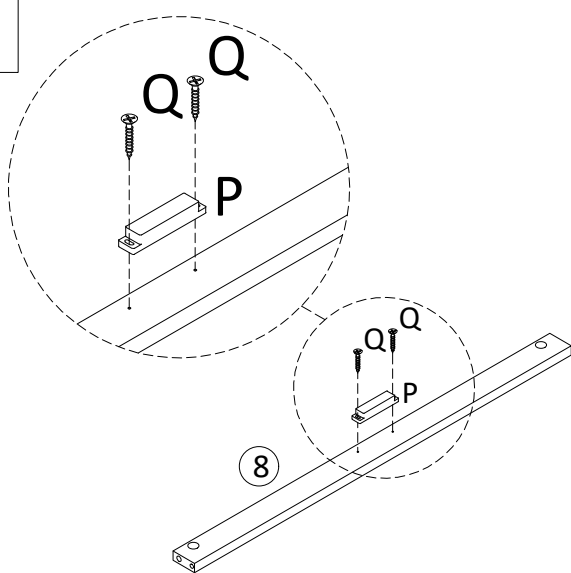
5



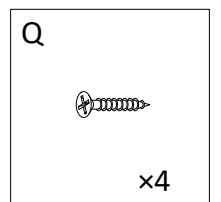
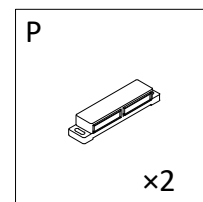
Turn the screws vertically from slow to fast.



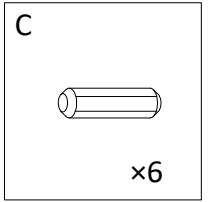
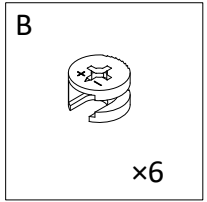
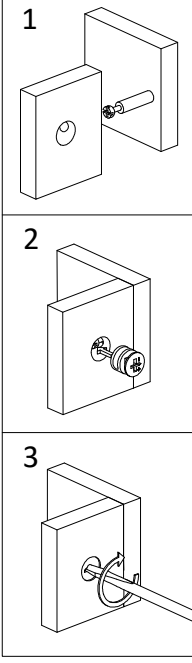
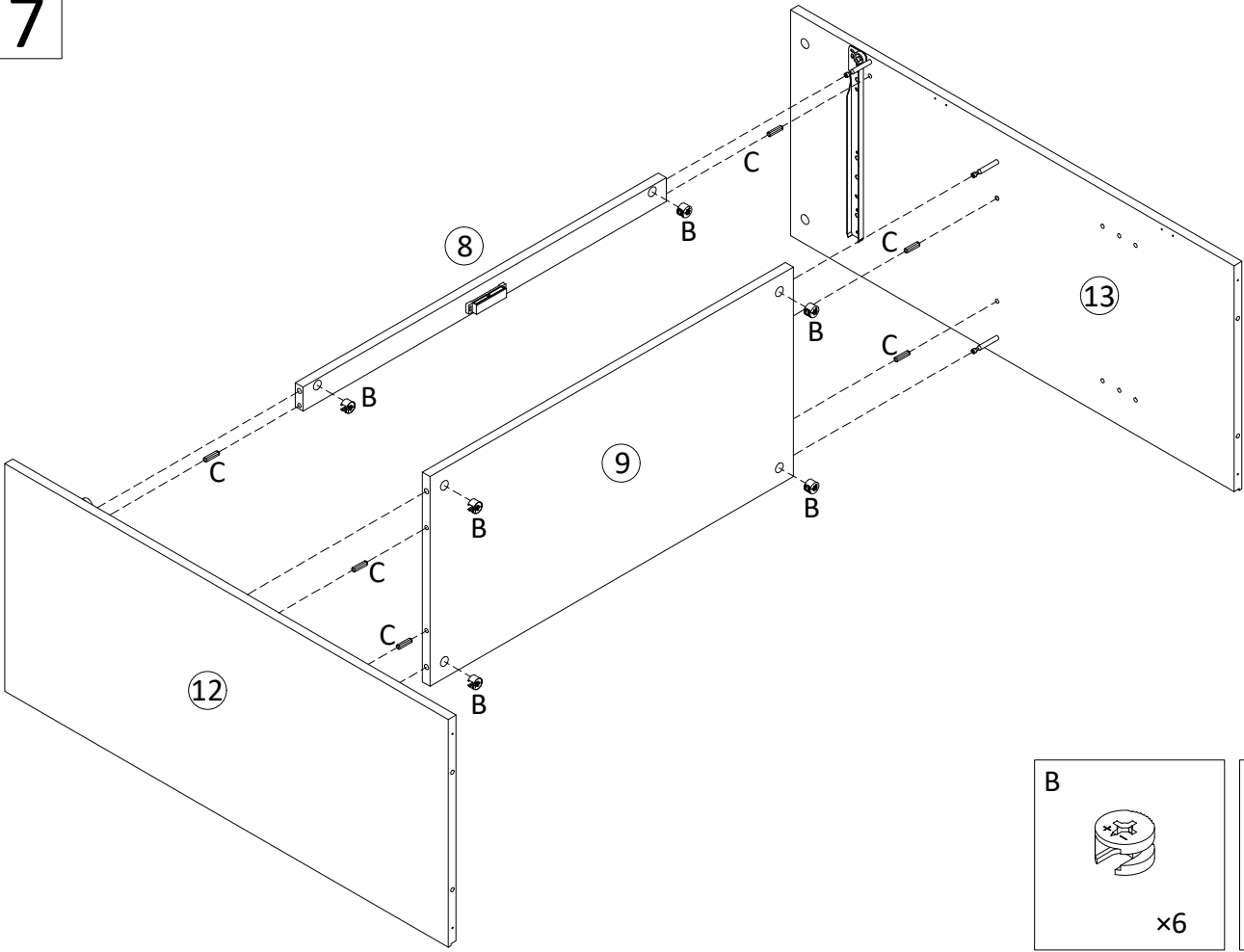
6



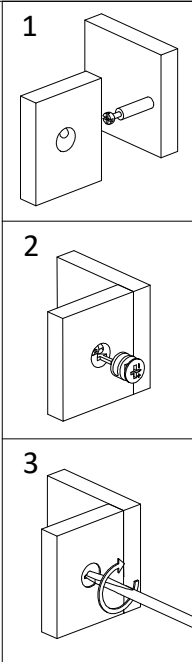
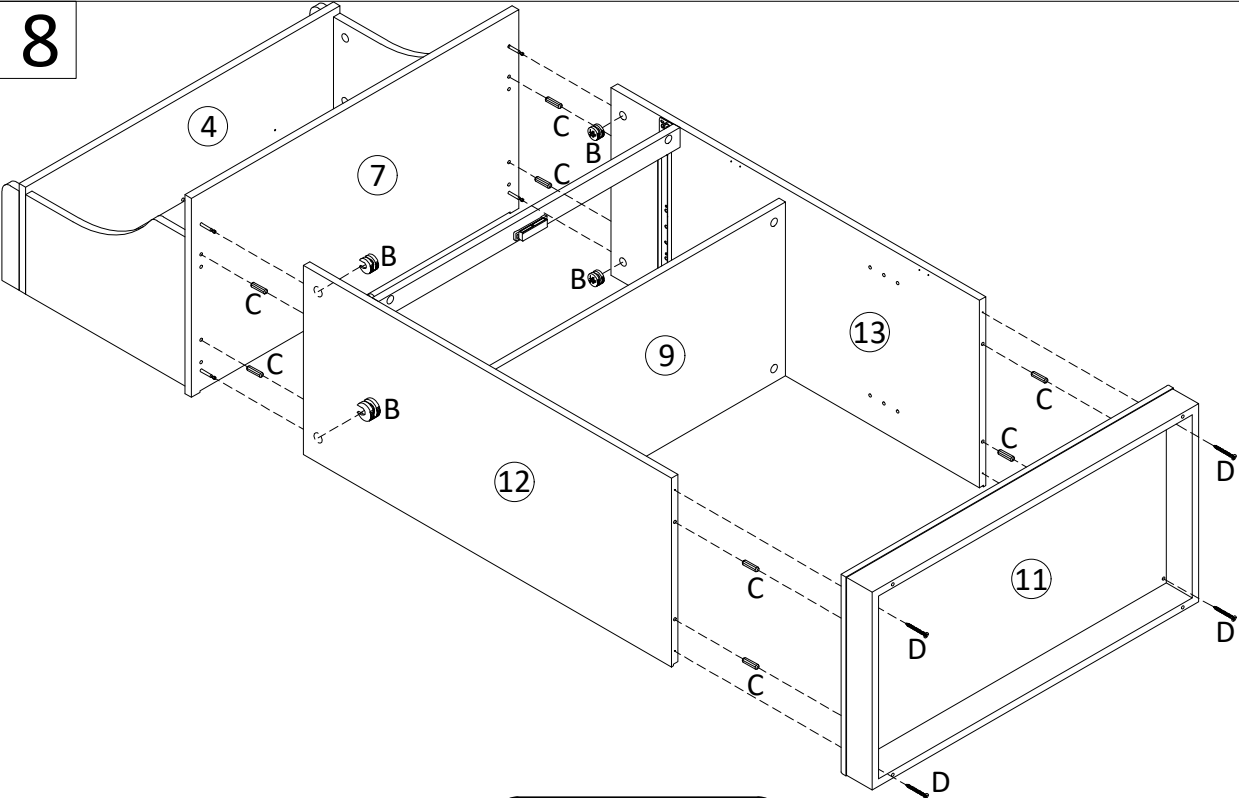
Turn the screws vertically from slow to fast.



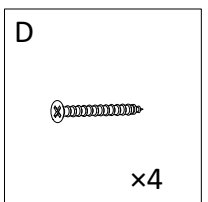
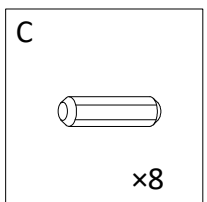
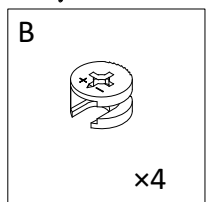
7



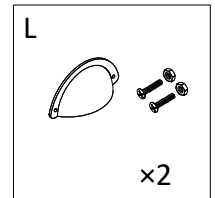
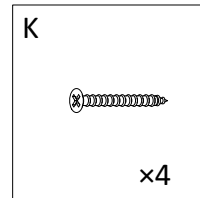
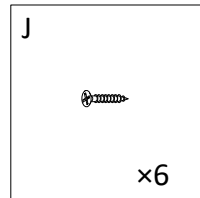
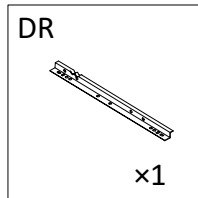
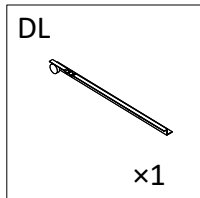
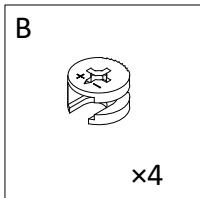
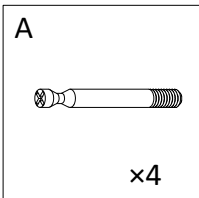
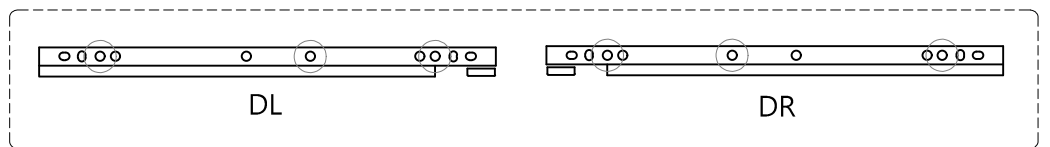
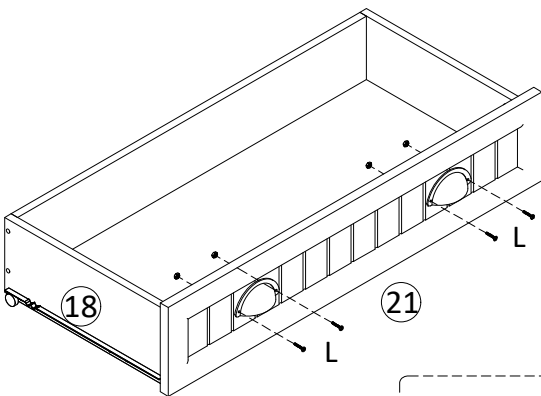
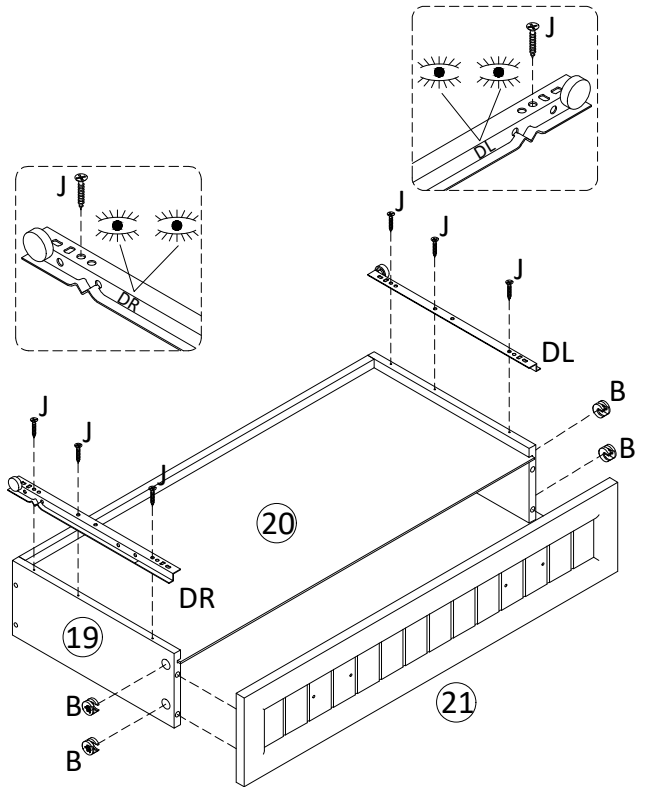
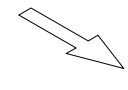
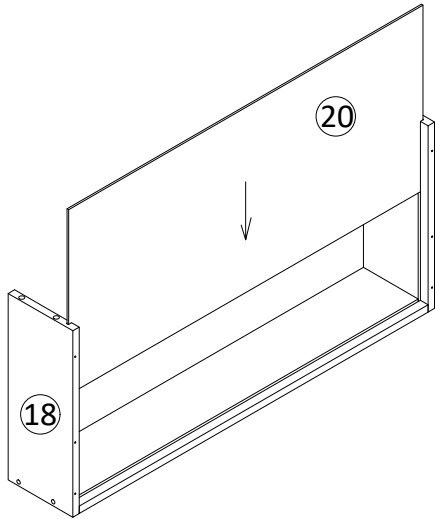
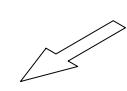
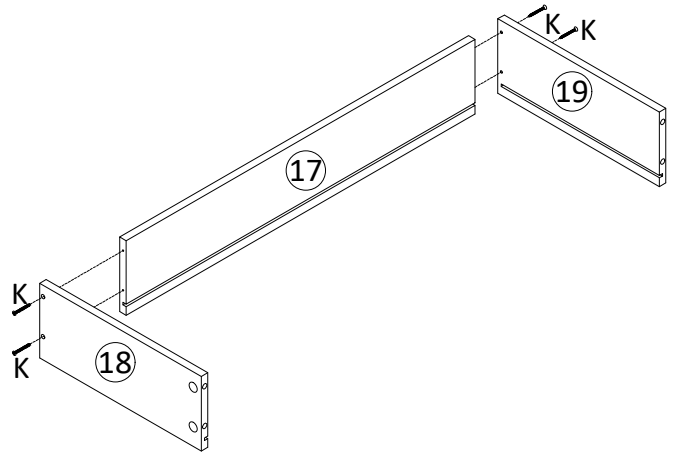
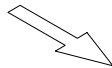
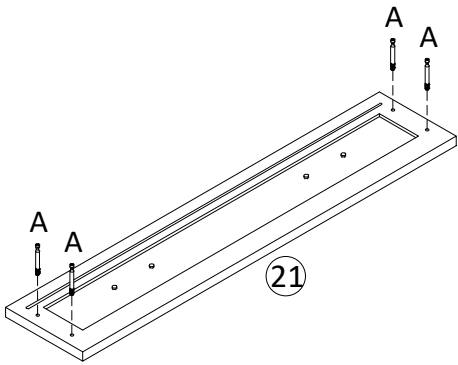
8



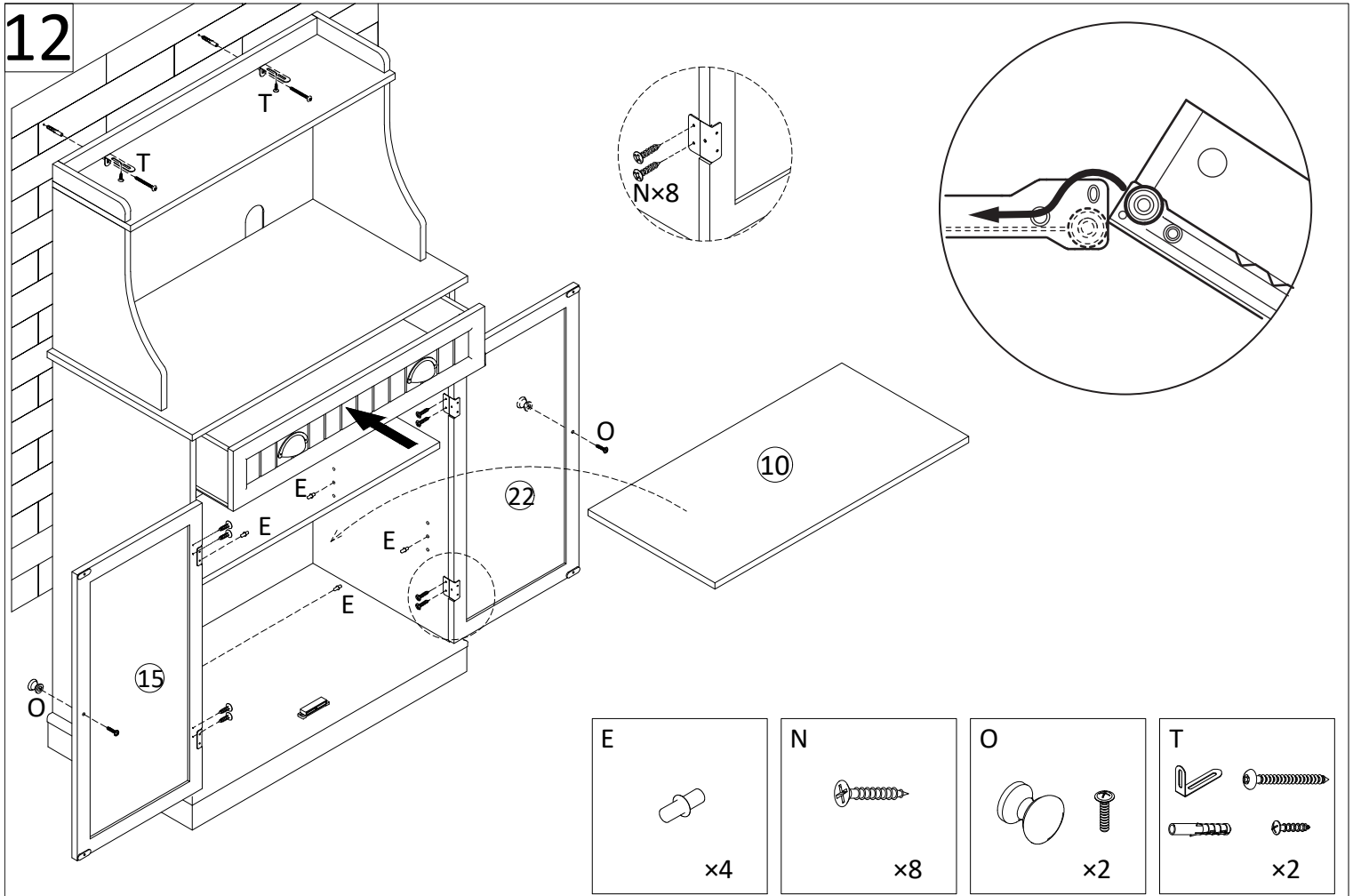
Turn the screws vertically from slow to fast.



Turn the screws vertically from slow to fast.



12



13

