

Handheld Showerhead & Rain Shower Combo



1 Remove old showerhead.

1. Separate outlet adapter and screw
2. Wrap outlet adapter clockwise to water outlet
3. Attach slider bar to outlet adapter and screw together

* Leave a 0.59-inch gap between the water inlet connector and the final wall.

DO NOT overtighten, to avoid bending the washer and/or pushing it into the shower arm.

2 TWO DRILL-FREE INSTALLATION METHODS ARE OPTIONAL

Make sure wall is flat, smooth, clean and dry

Method 1, Suction Cup

1. Hold the round flange with one hand.
2. Pinch suction cup with the other hand and turn it clockwise 2 to 3 circles, don't separate it completely from round flange.
3. Make sure the sliding bar is vertical, firmly press the diverter against wall surface.
4. Tighten the round flange clockwise by hand.

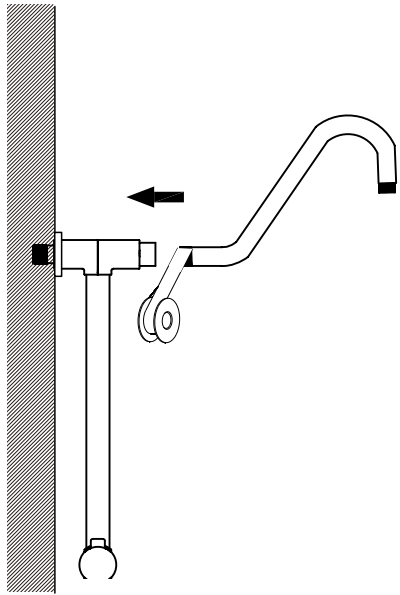


Method 2, Adhesive Cup

1. Remove the suction cup. Hold the round flange with one hand. Pinch suction cup with the other hand and turn it clockwise, separate it completely from round flange.
2. Replace with the adhesive cup. Rotate the adhesive cup anticlockwise to the round flange, tighten by hand.
3. Remove the protective paper.
4. Make sure the sliding bar is vertical, firmly press the diverter against wall surface. Allow to dry at least 8 hours before showering or creating wet conditions.

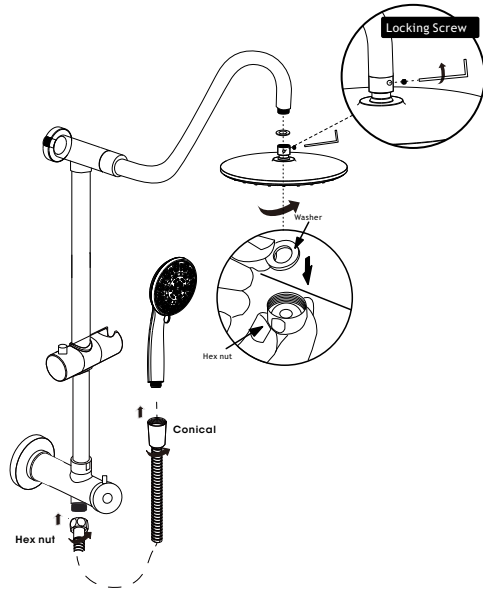
3

1. Wrap the shower arm and clockwise it on slider bar



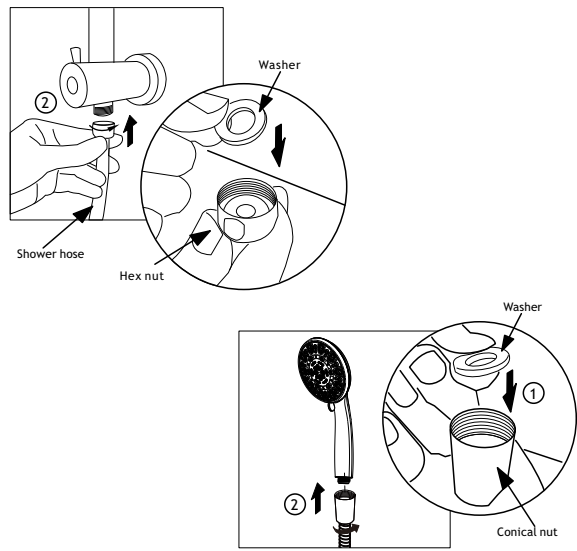
4

1. Put the washer on rain shower head and clockwise it on shower arm

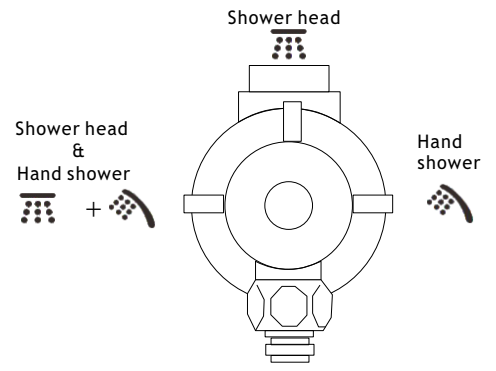


5

1. Put the washers into the nuts of shower hose.
2. Connect the shower hose to the sliding bar and handheld shower.



3-WAY WATER DIVERTER
Turn diverter switch to change water flow to hand shower, shower head or combination of both.



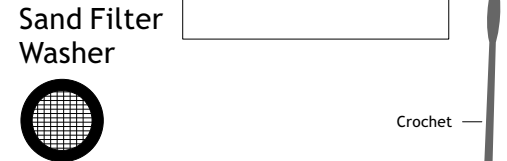
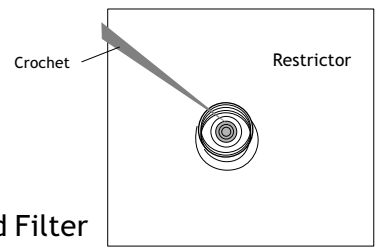
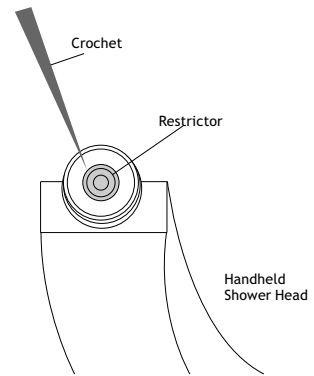
Recommendation
Because the water supply pressure is constant, as with all combination showers, using combination showers together causes water pressure to drop in individual showers. Using individually showers to maximize water pressure. Using combination showers together for wider coverage and targeting of different body areas.

If you have installation problem, please don't return this product before email us first.

Amazon: uclimaaus@gmail.com
Email: service24houronline@gmail.com

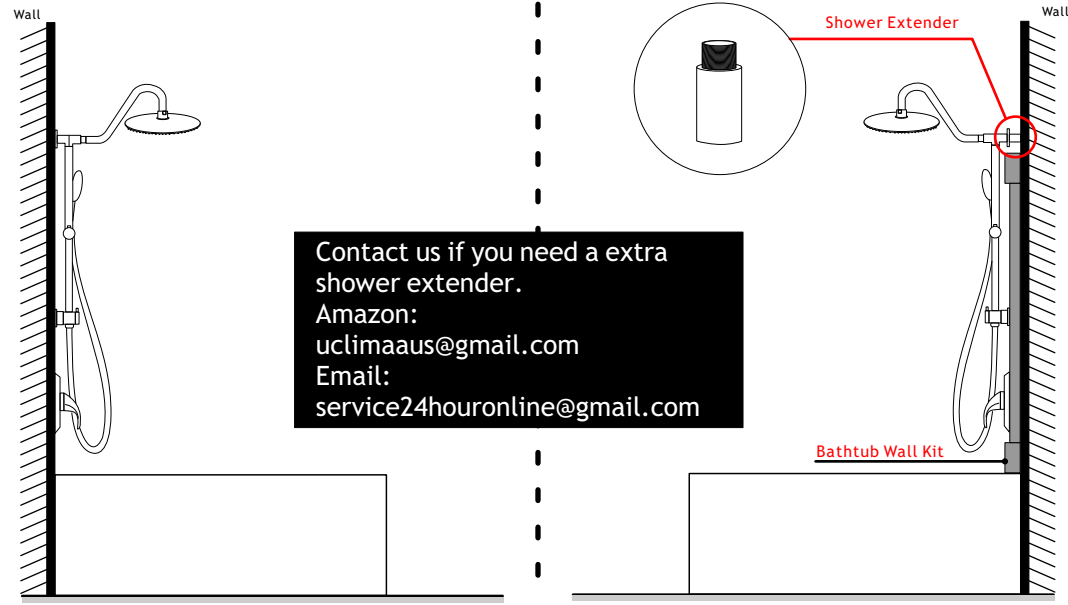
IMPORTANT
The slide bar is not to be used as a grab bar or for support. It is intended for holding a handshower only. We deny all liability related to any accident, incident or breakage following any usage in breach of this warning.

If you want a more powerful water flow you can choose to remove the restrictor.



Installation Method of Different Wall

Install directly on the wall use a shower extender to install on the bathtub wall kit



Contact us if you need a extra shower extender.
Amazon: uclimaaus@gmail.com
Email: service24houronline@gmail.com