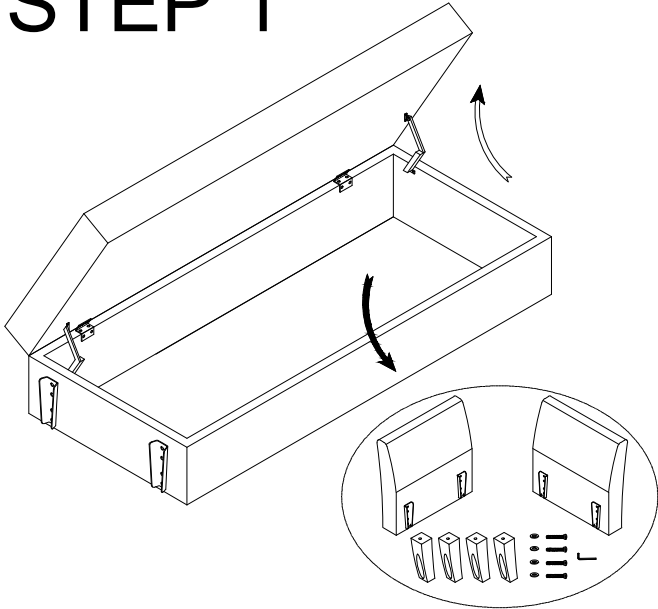
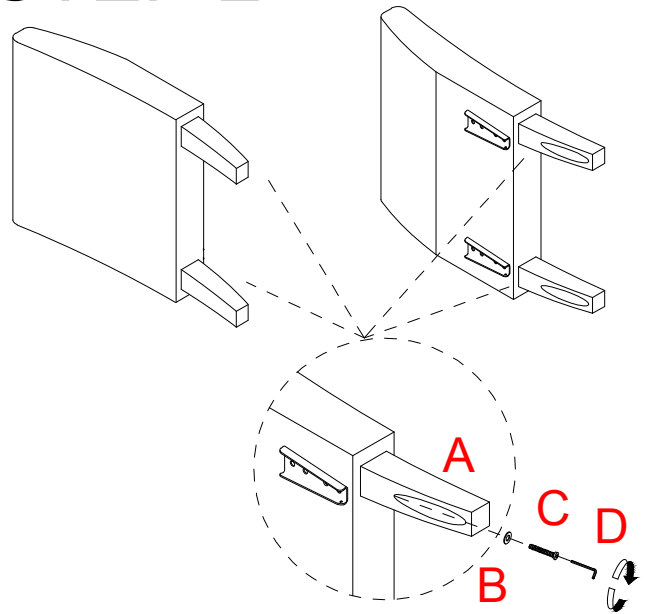


# ASSEMBLY INSTRUCTION

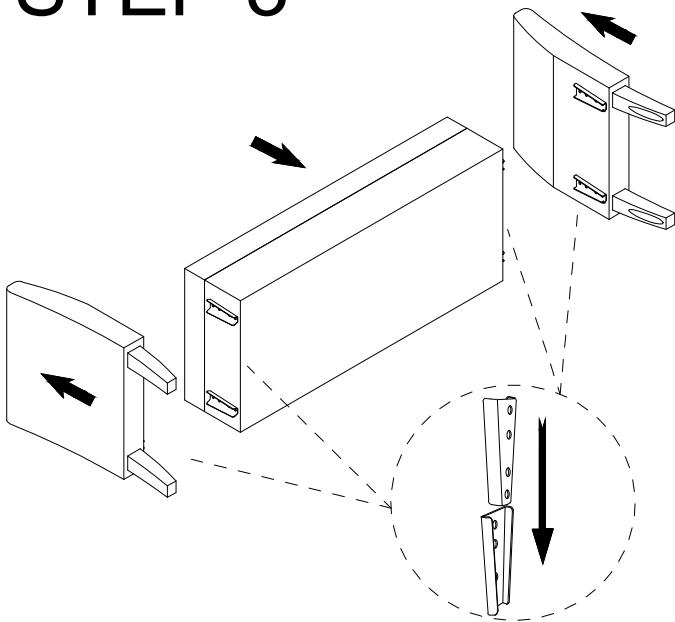
## STEP 1



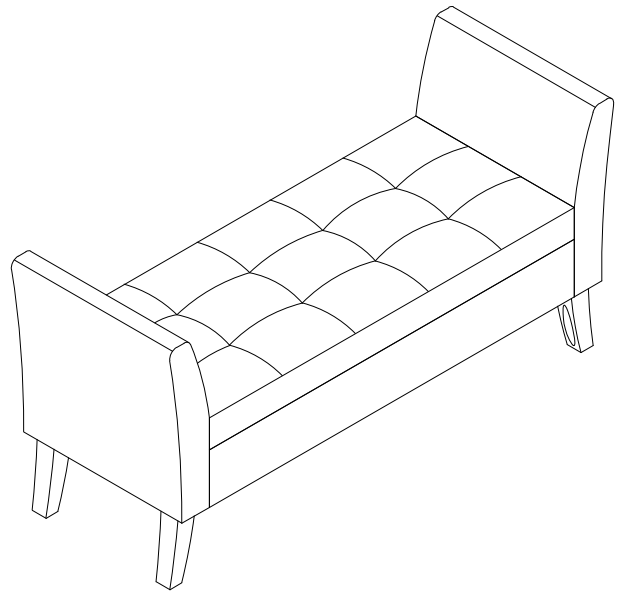
## STEP 2



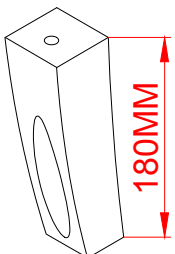
## STEP 3



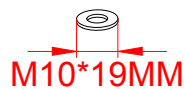
## STEP 4



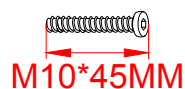
A 4PCS



B 4PCS



C 4PCS



D 1PC

