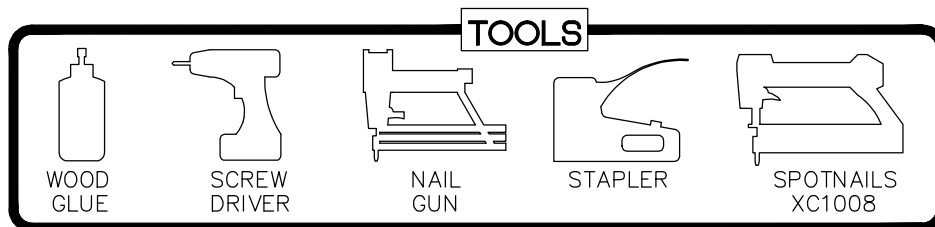
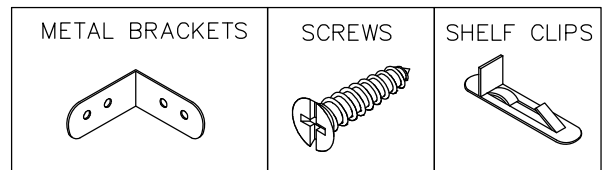
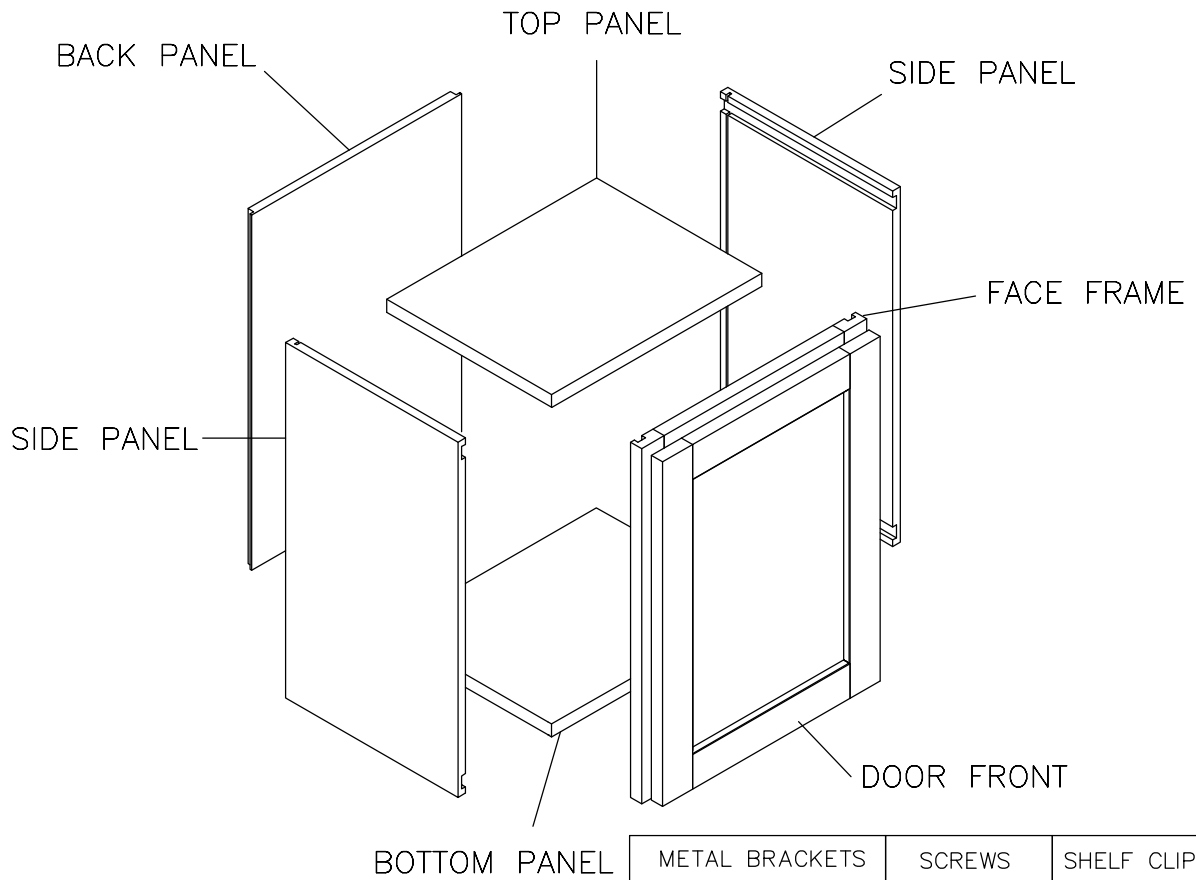


ASSEMBLY INSTRUCTIONS - WALL CABINET (WITHOUT SHELVES)

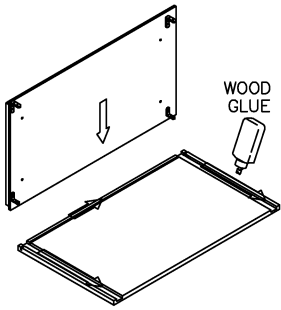


This instruction applies to the following items:

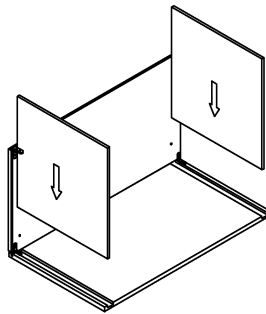
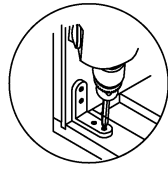
W2412-W2418	W3012-W3612	W3015-W3615	W3018-W3618
	W301227-W361227	W301527-W361527	W301827-W361827

STEP 1

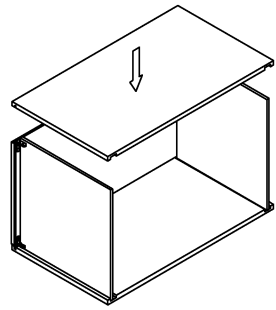
Glue each assembly slot



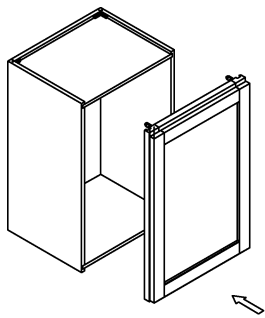
STEP 2



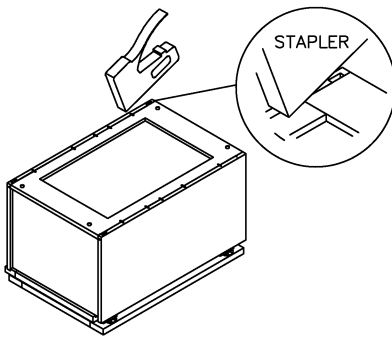
STEP 3



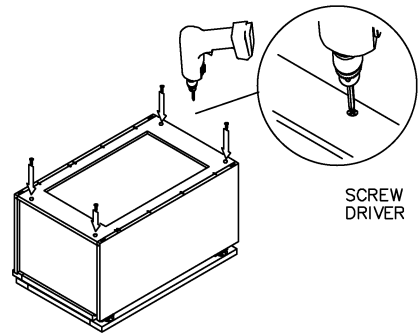
STEP 4



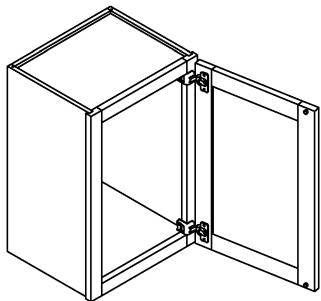
STEP 5



STEP 6



STEP 7



STEP 8

Double door installation method is the same as above

