

# ASSEMBLY INSTRUCTION

## SERVER

**A** Server



1PC

**B** Anti-Tipping Hardware Pack



a

1PC



b

2PCS



c

1PC



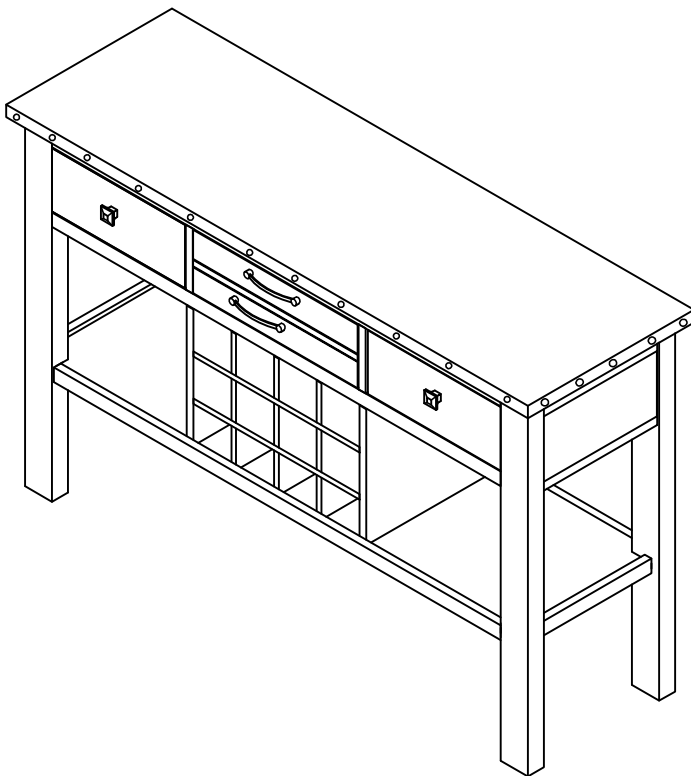
d

1PC



e

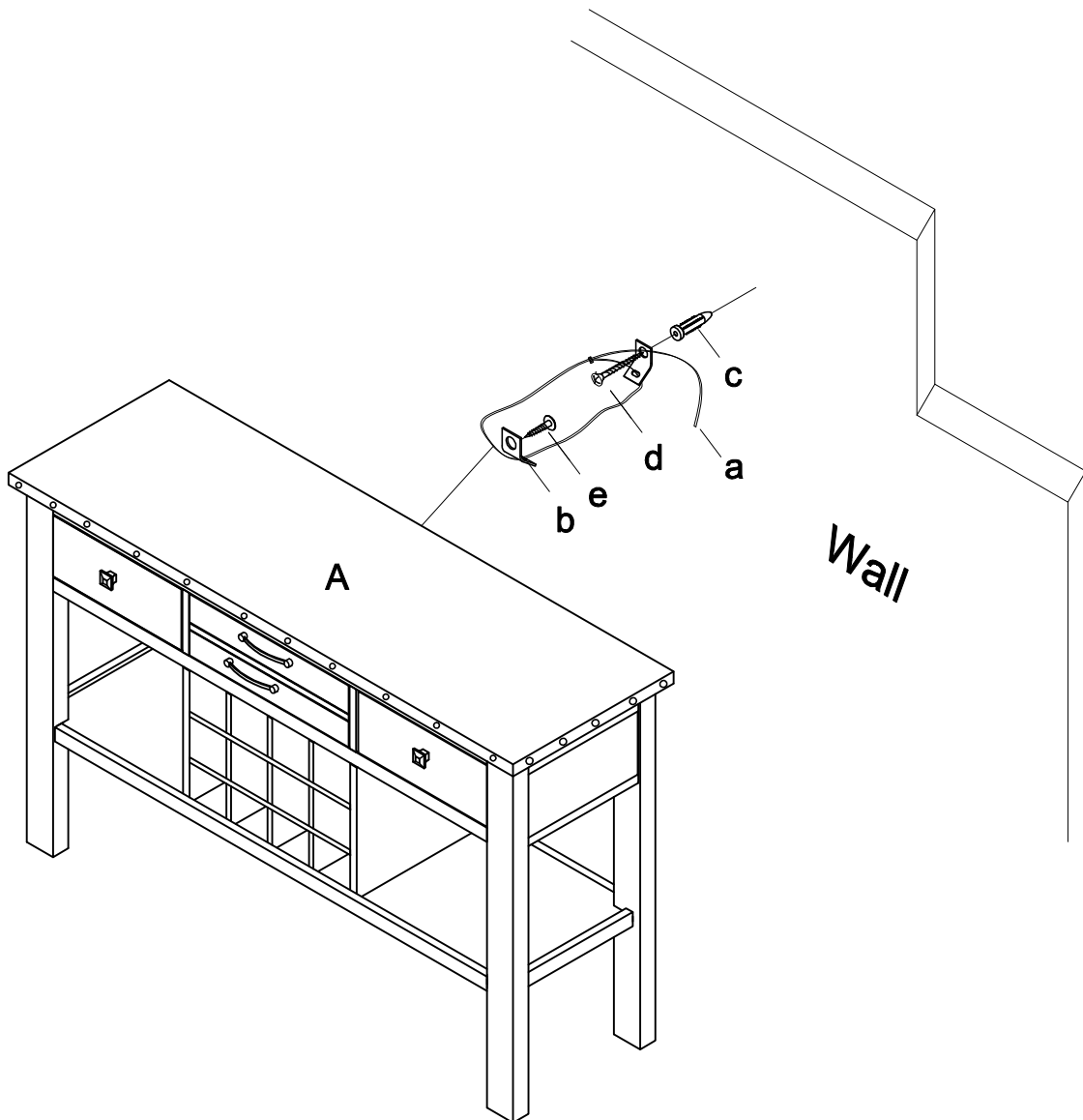
1PC



This page lists all the contents included in the box. Please take the time to identify the hardware as well as the individual components to this product. AS you unpack and prepare for assembly. place the contents on a carpeted or padded area to protect them from damage.

**1** Take out the Anti-Tipping Hardware Pack (B) from the hardware set package, assemble it to avoid tipping.

1. Attach one of the wall brackets (b) and secure to the back top the back edge of the server using the short screw (e).
2. Mark the location on the wall for mounting the second wall bracket (b). Create appropriate sized hole in the wall and insert the plastic screw anchor (c). Secure the bracket to the wall using the long screw (d).
3. Place the furniture to the bracket on the back edge of unit is line with the bracket on the wall.
4. Lace an end of the nylon strap (a) down through each bracket, check to make sure the strap is securely laced and locked to bracket.



**Cleaning & Care**

Treat surface with care. Surface is resistant to scratches but is not scratch resistant. Clean surfaces with a dry or damp soft cloth. Do not use abrasive cleaners. Hardware may loosen over time. Periodically check that all connections are tight.