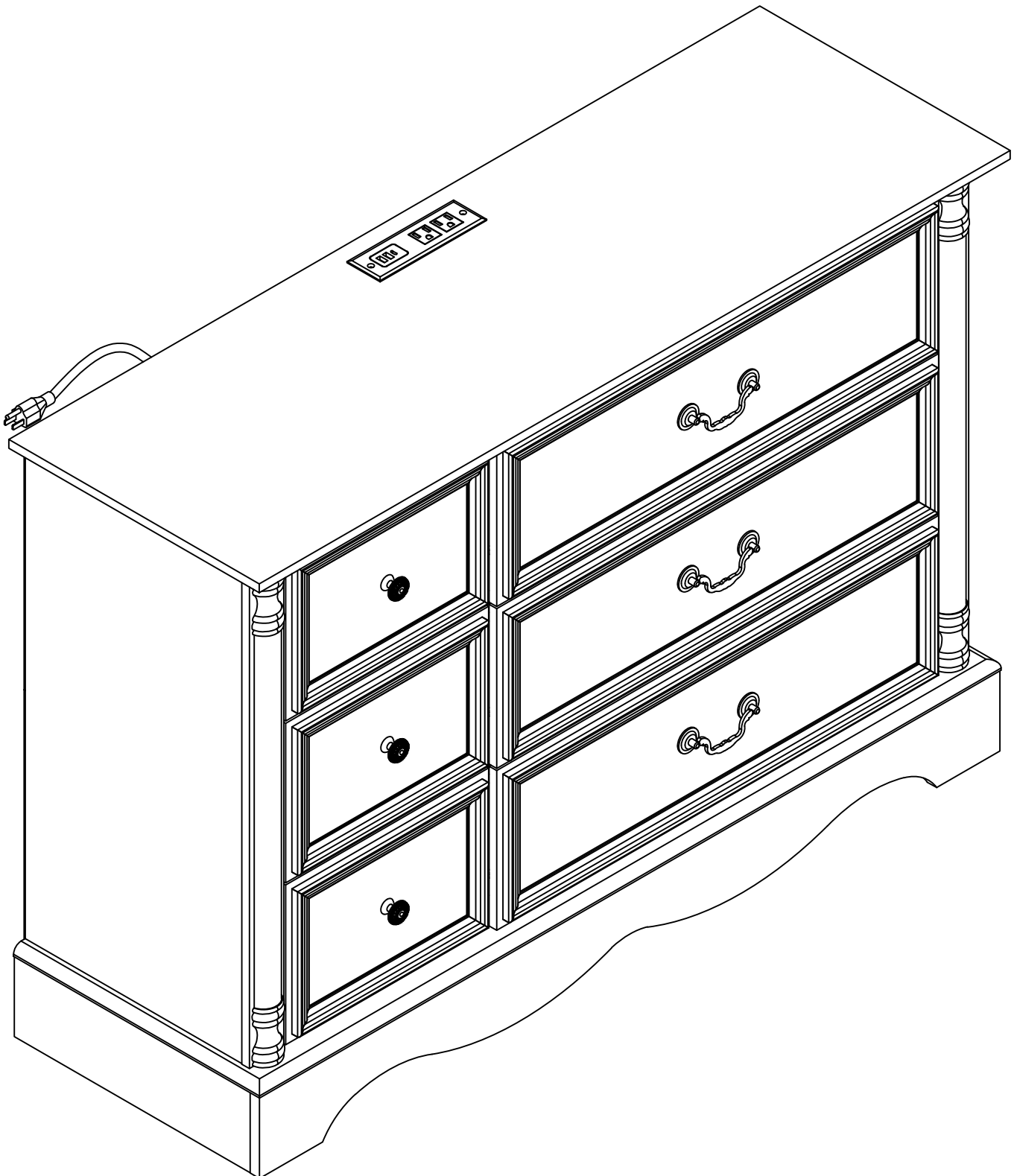
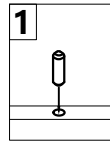


Installation & Assembly

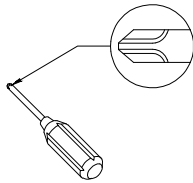


General Assembly Guidelines

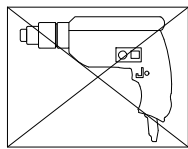
- I. Please ensure that all parts and hardware are available before assembly.
- II. Follow each step carefully to ensure the proper assembly of this product.
- III. For easy of assembly, two people are recommended to assemble this product.
- IV. The three main types of hardware are: wood dowels , screws and bolts.



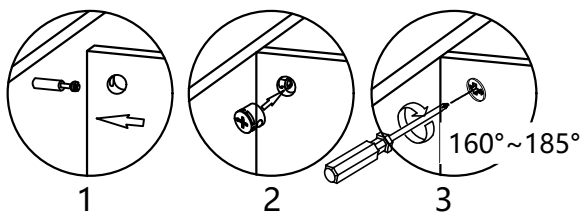
V. A Phillips head screwdriver is required for the assembly of this product.



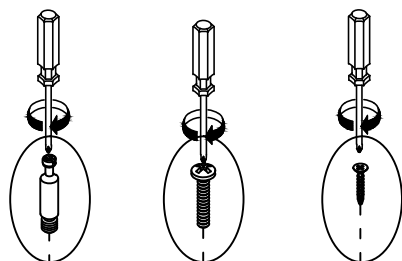
VI. Power tools should not be used when assemble this product.



VII. Steps for assembly of three-in-one screws.

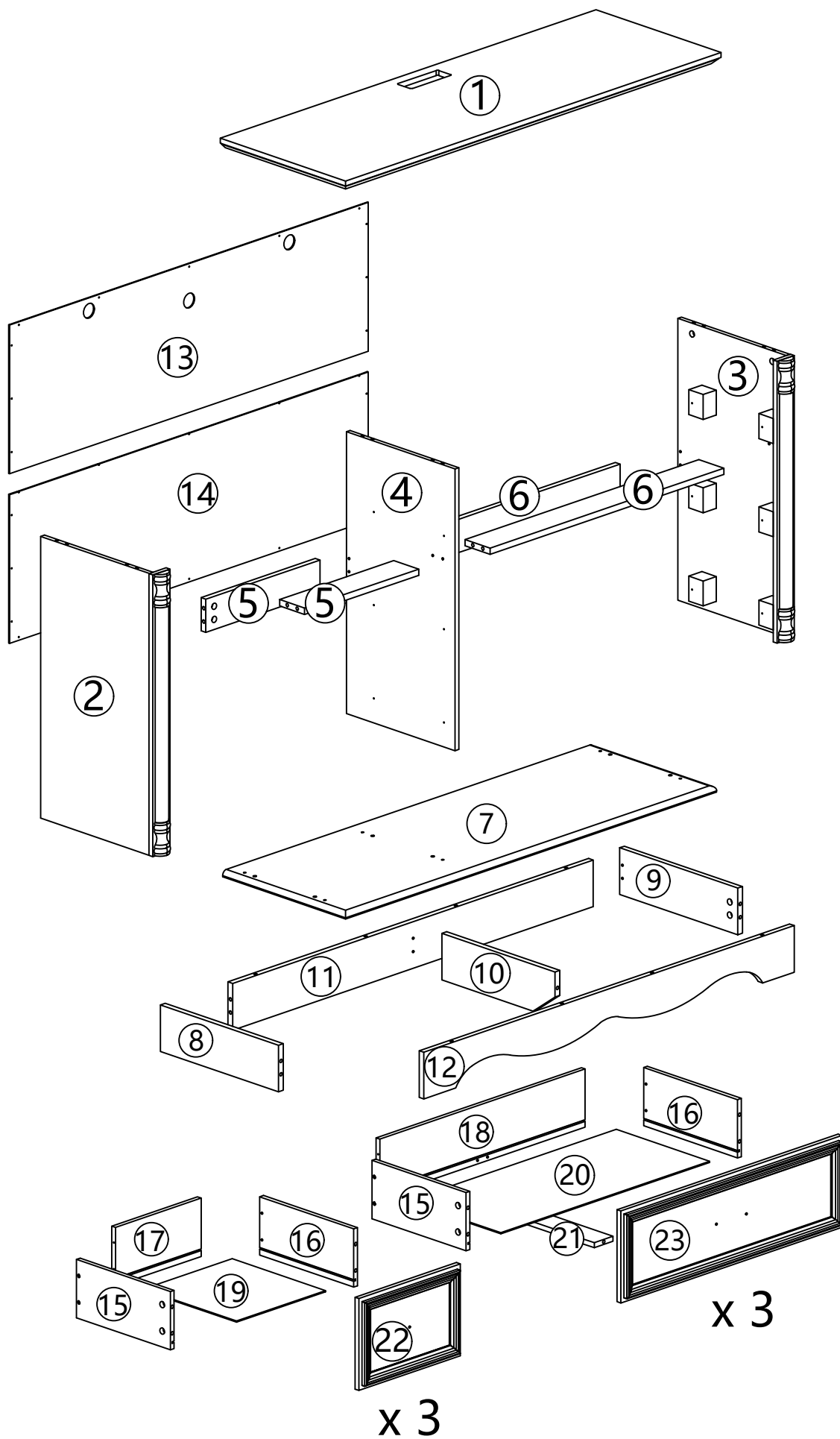


IX. Screw fixation diagram for all fittings

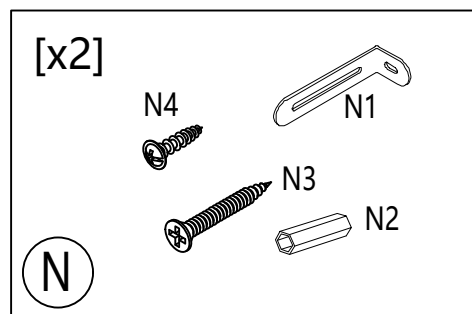
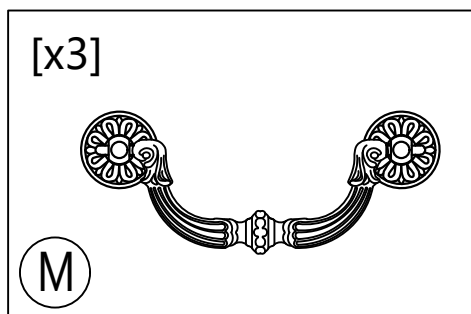
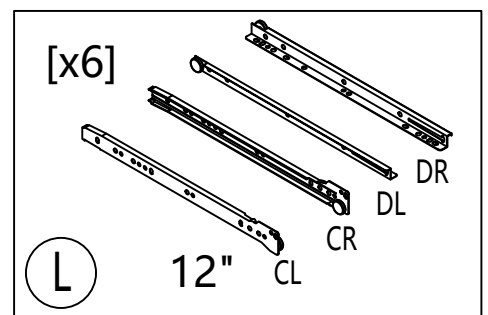
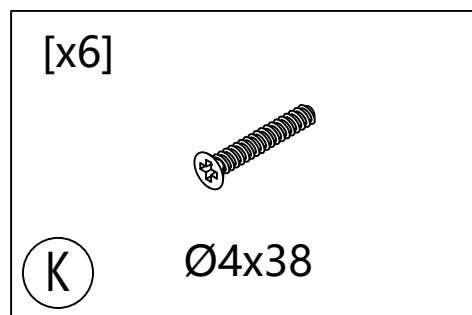
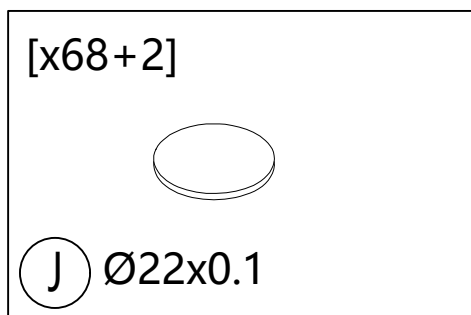
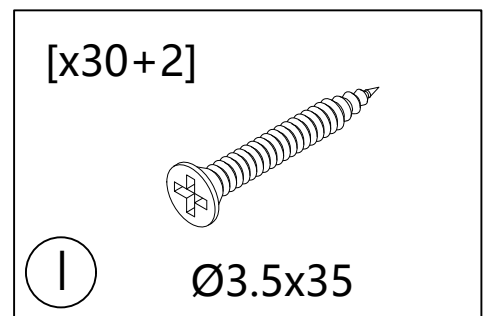
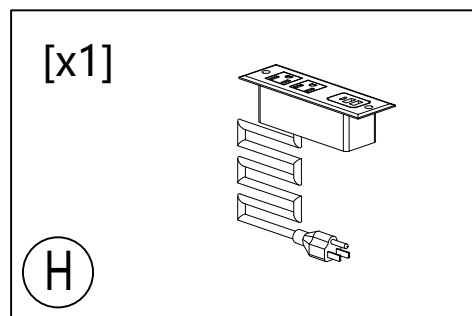
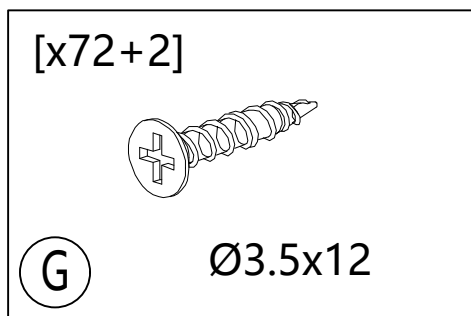
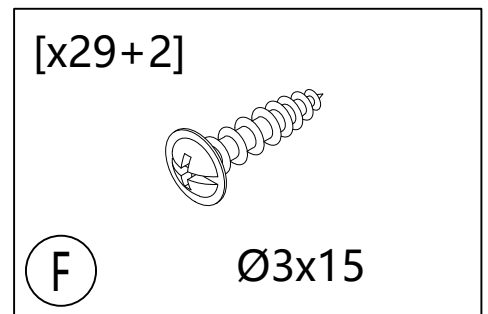
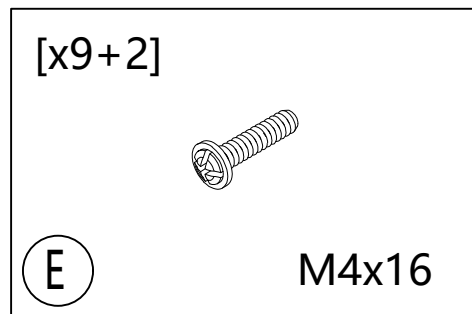
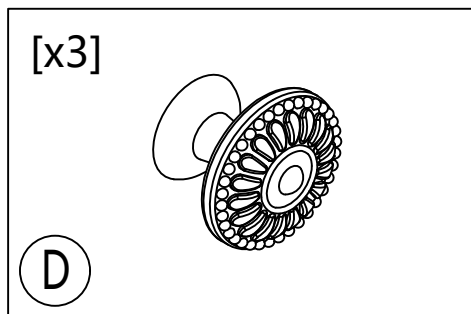
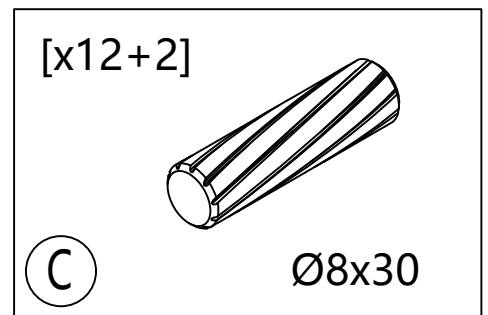
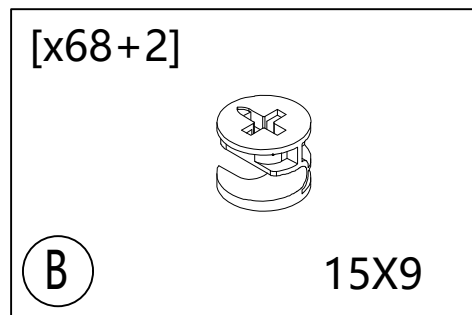
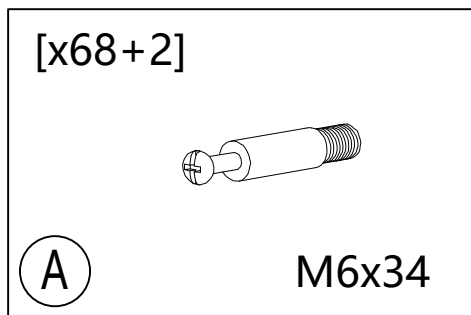


Parts List

- ① x 1
- ② x 1
- ③ x 1
- ④ x 1
- ⑤ x 2
- ⑥ x 2
- ⑦ x 1
- ⑧ x 1
- ⑨ x 1
- ⑩ x 1
- ⑪ x 1
- ⑫ x 1
- ⑬ x 1
- ⑭ x 1
- ⑮ x 6
- ⑯ x 6
- ⑰ x 3
- ⑱ x 3
- ⑲ x 3
- ⑳ x 3
- ㉑ x 3
- ㉒ x 3
- ㉓ x 3



HARDWARE



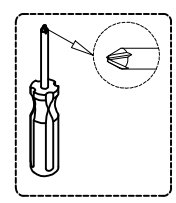
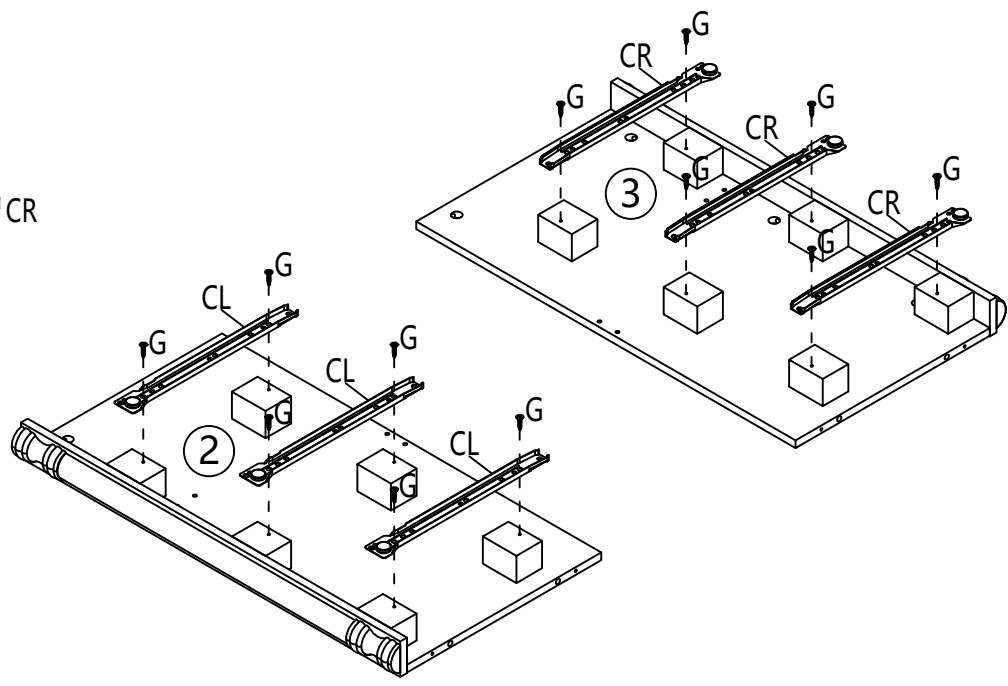
STEP#1



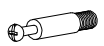
G x 12



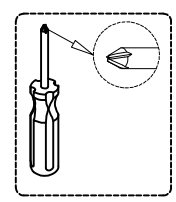
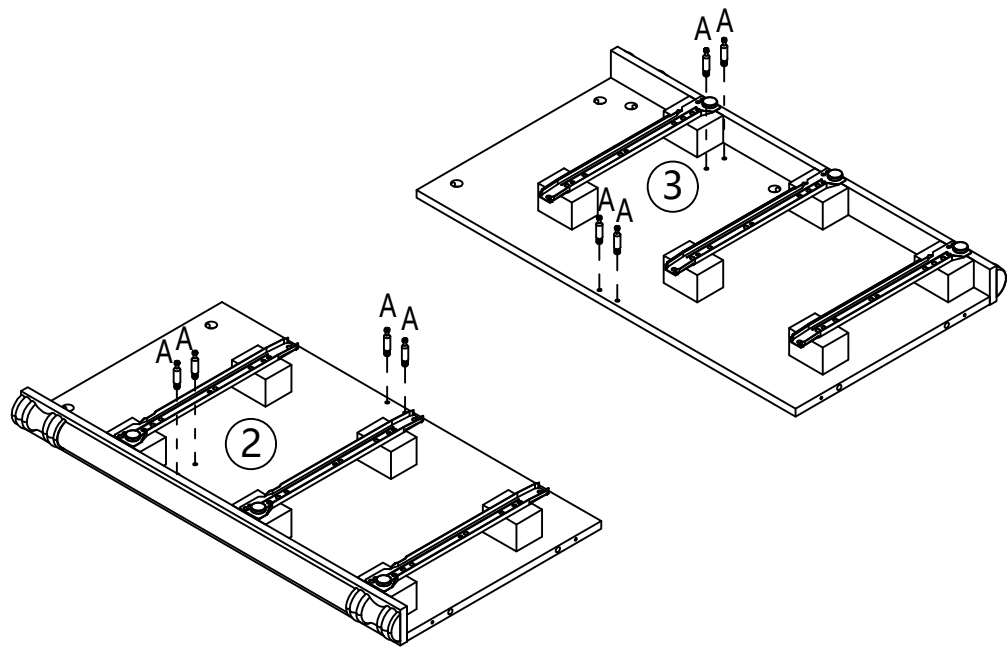
L x 3



STEP#2




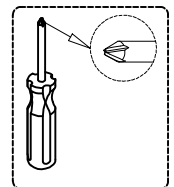
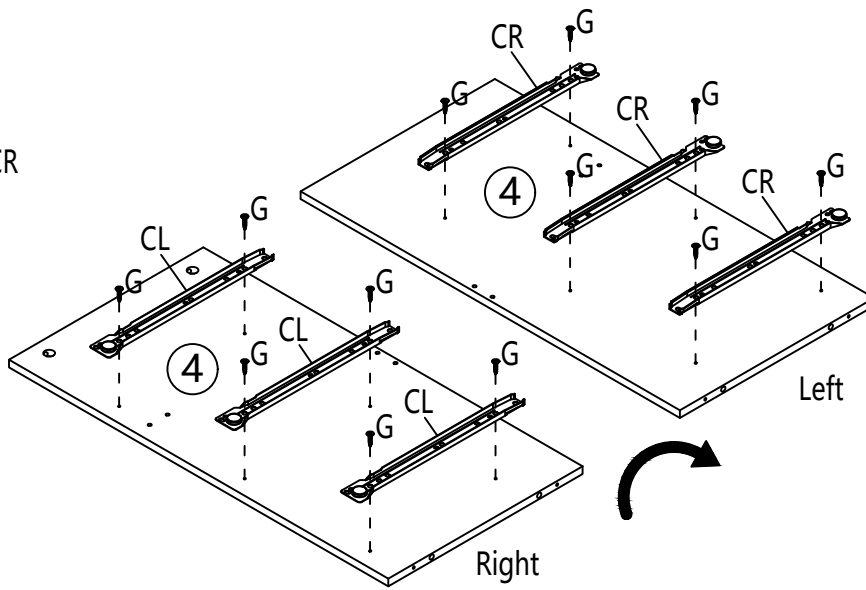
A x 8




STEP#3

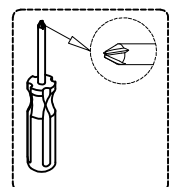
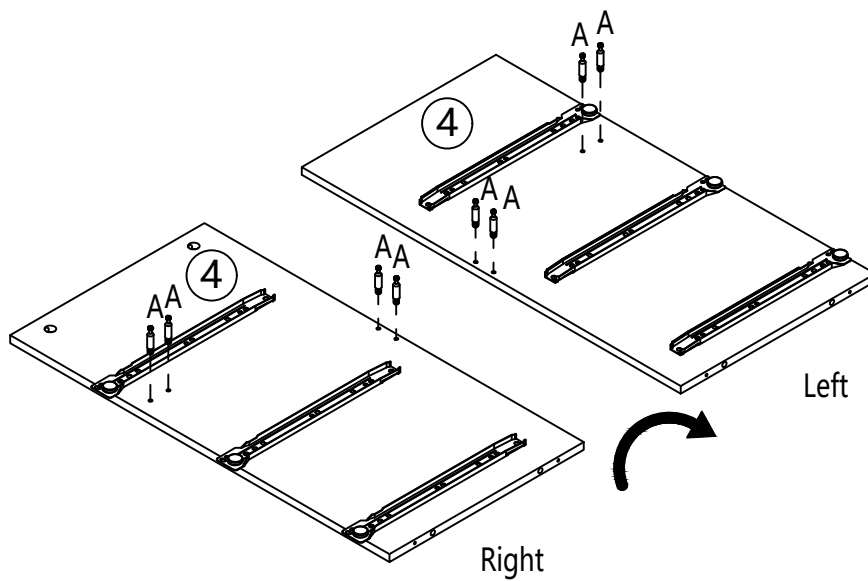

G x 12


CR
L x 3



STEP#4


A x 8



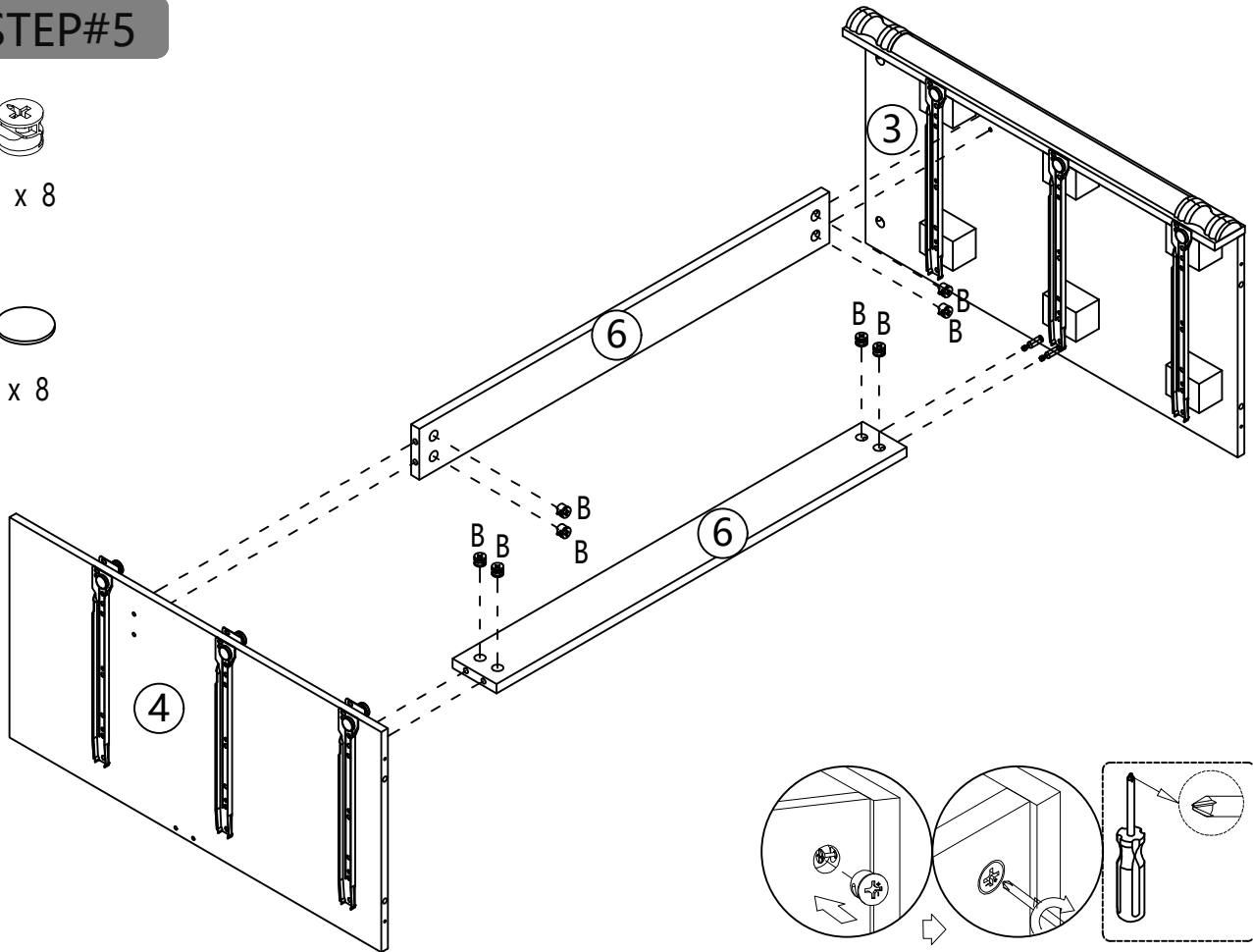
STEP#5



B x 8



J x 8



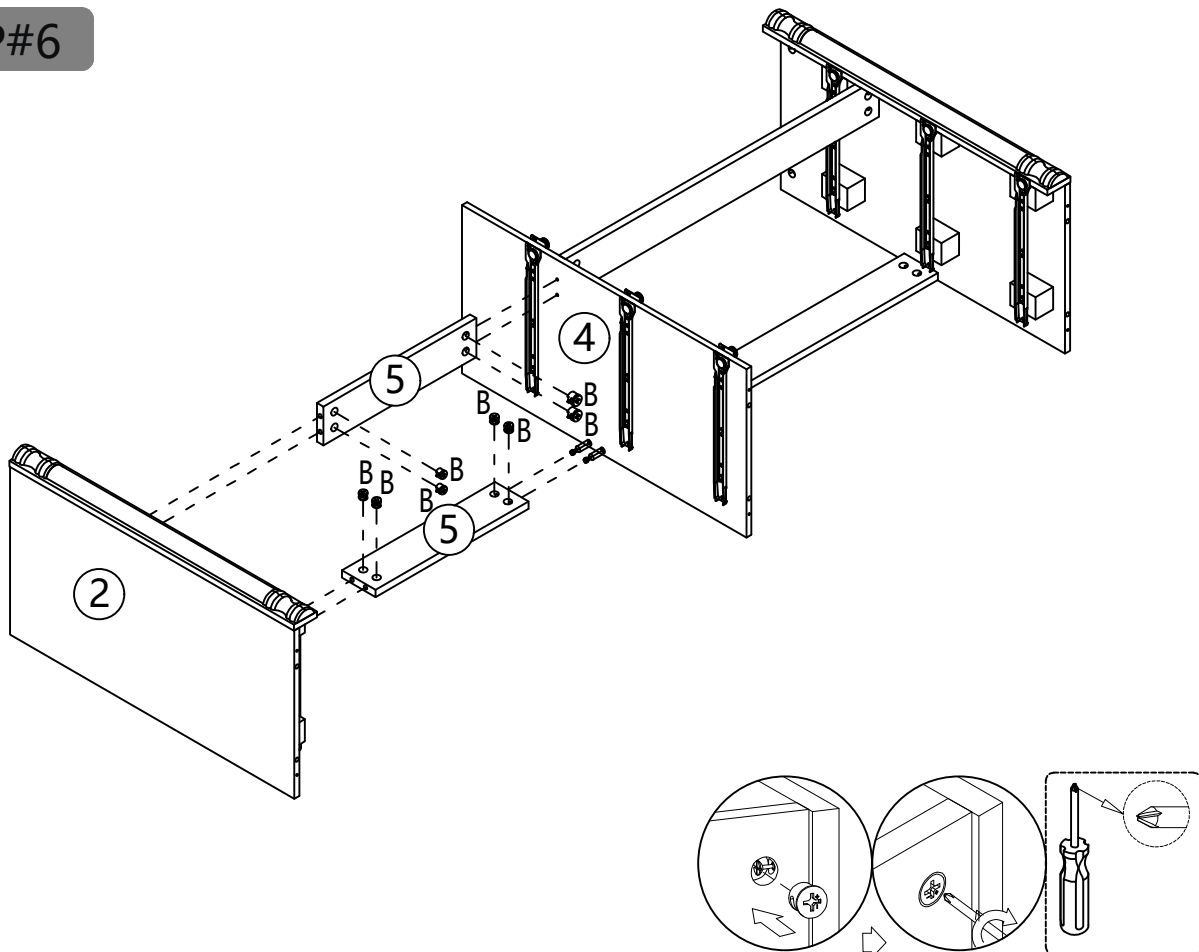
STEP#6



B x 8



J x 8



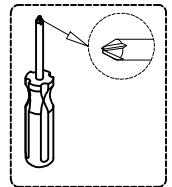
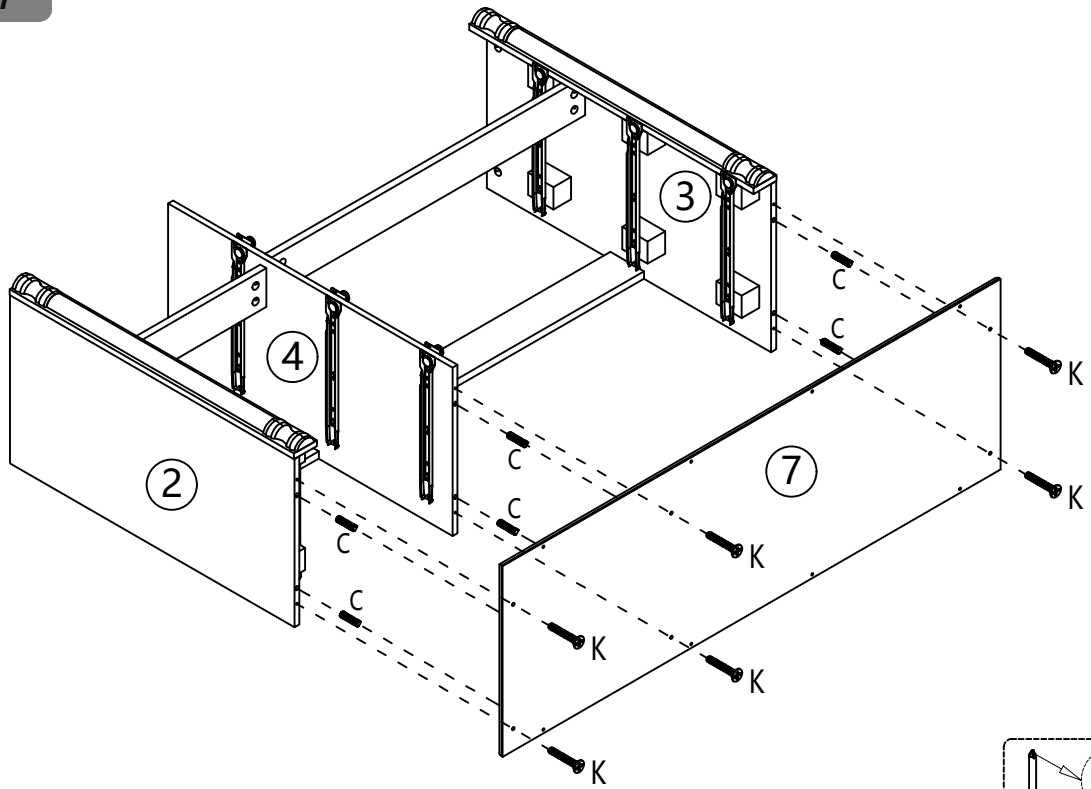
STEP#7



K x 6



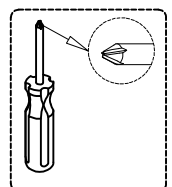
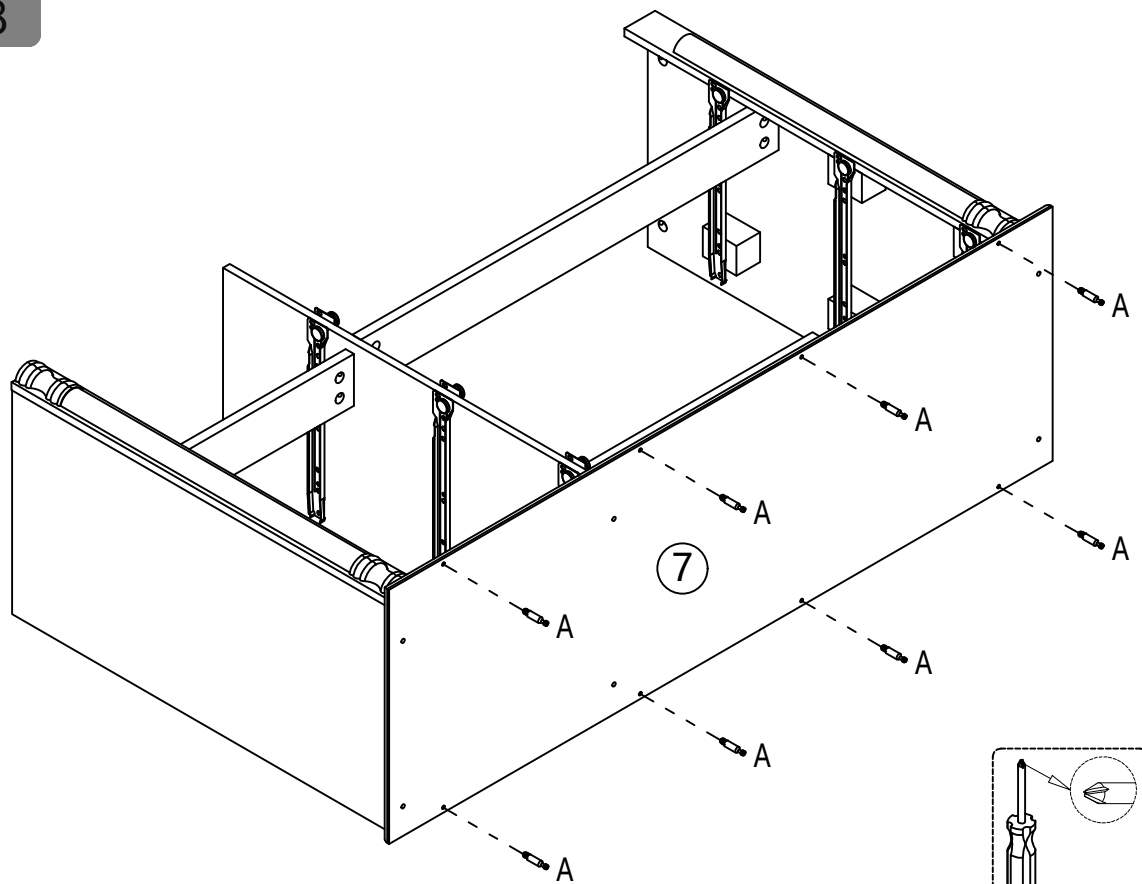
C x 6



STEP#8



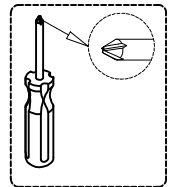
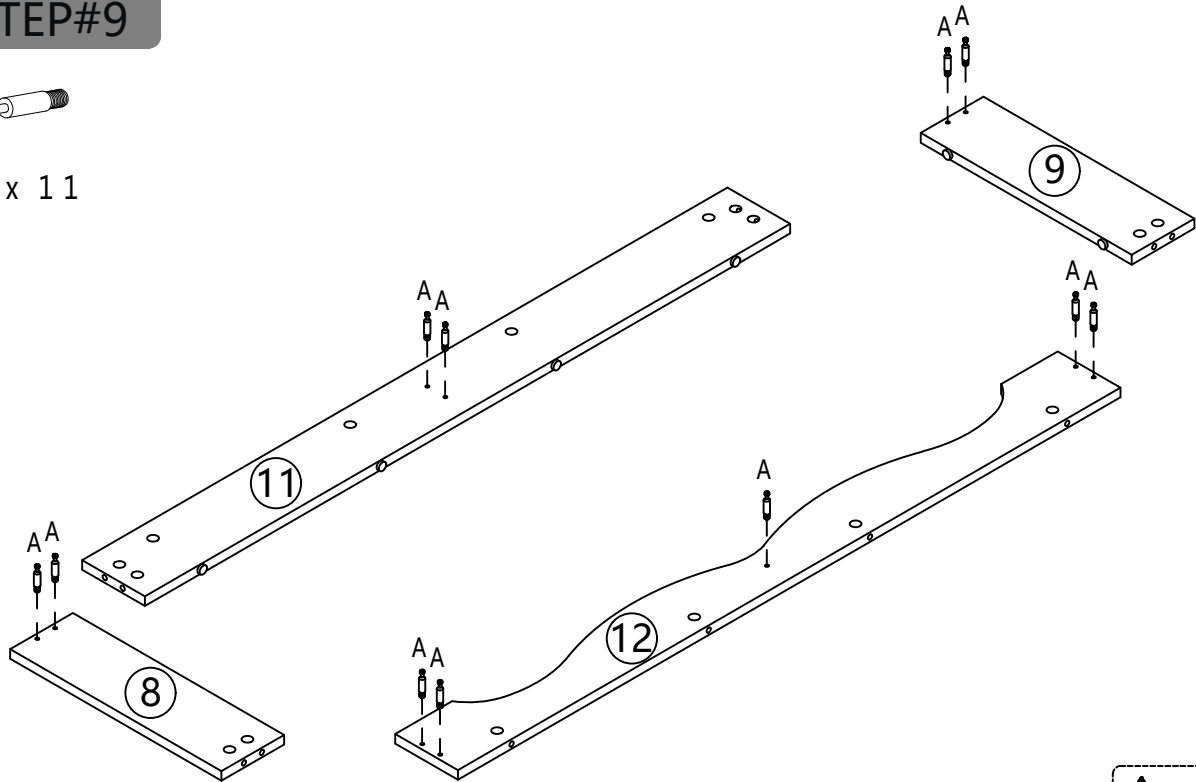
A x 8



STEP#9



A x 11



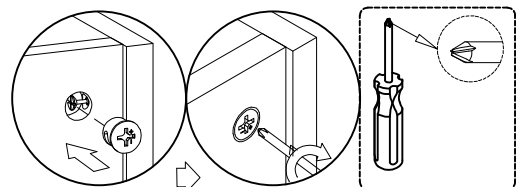
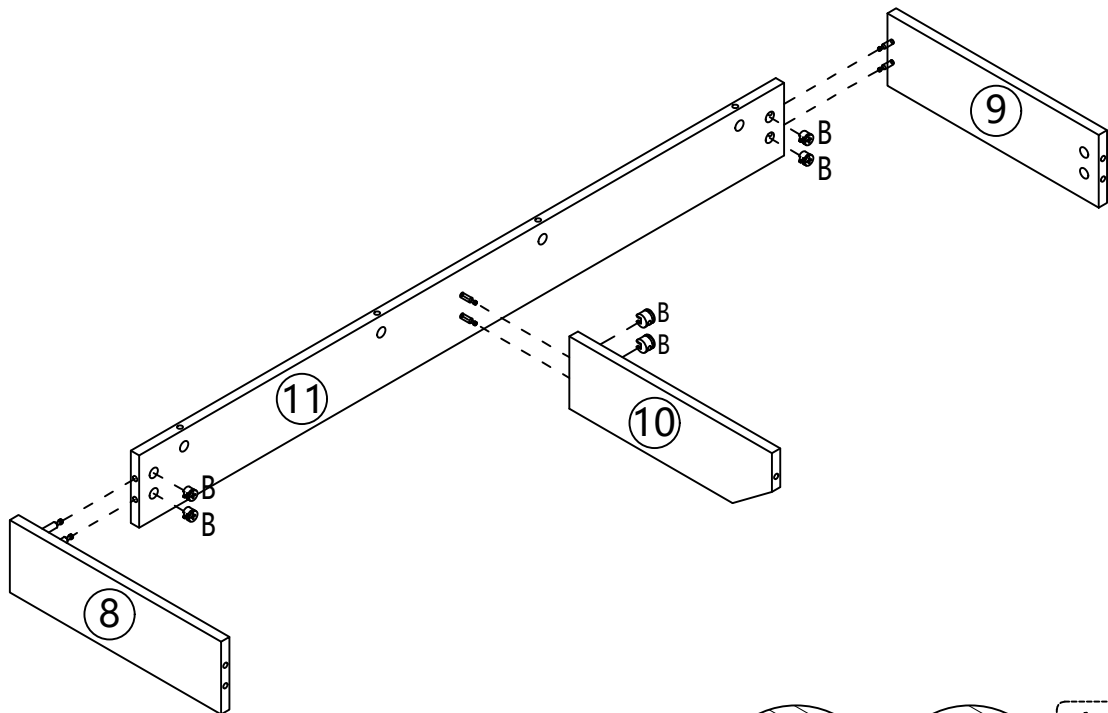
STEP#10



B x 6



J x 6



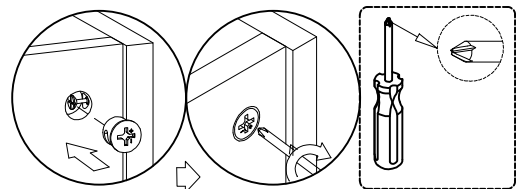
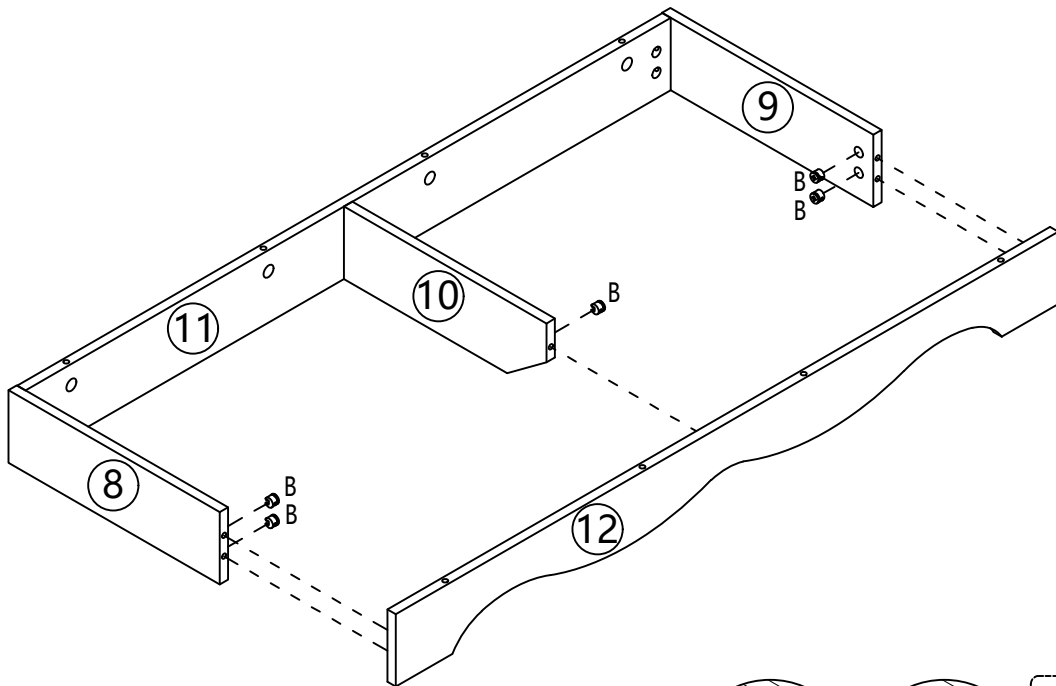
STEP#11



B x 5



J x 5



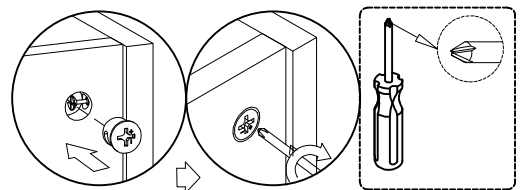
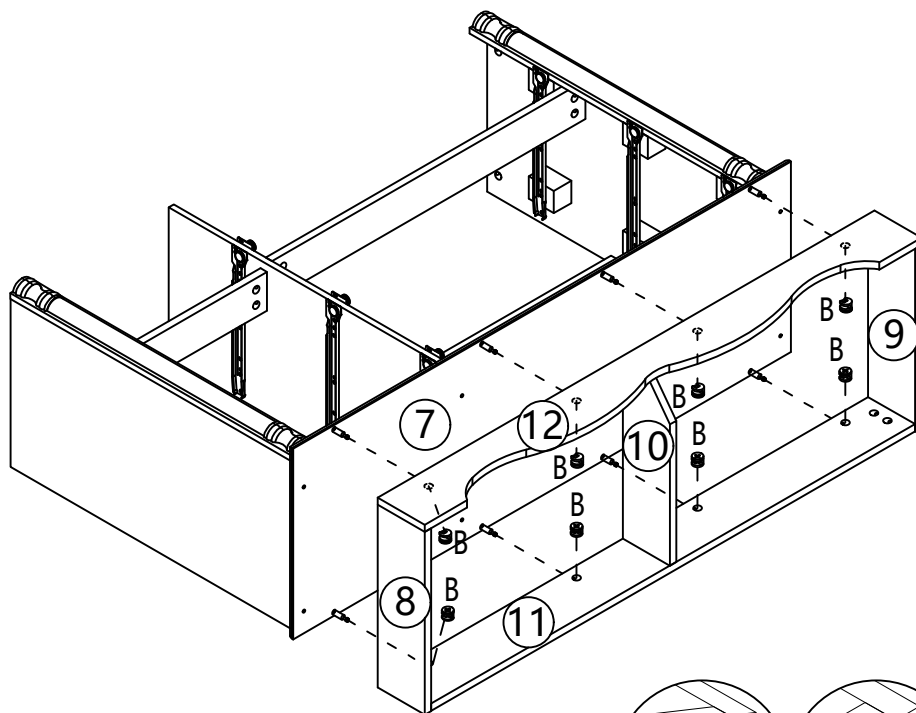
STEP#12



B x 8



J x 8



STEP#13



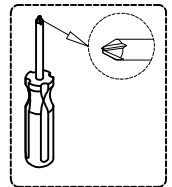
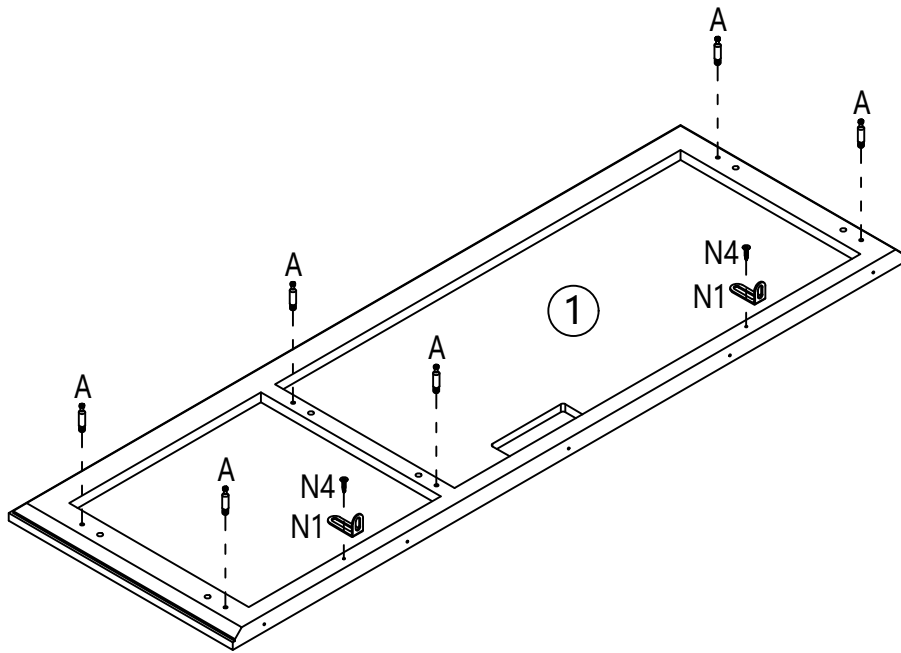
A x 6

N4



N1

N x 2



STEP#14



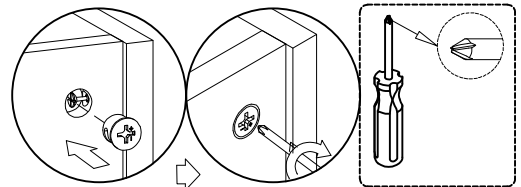
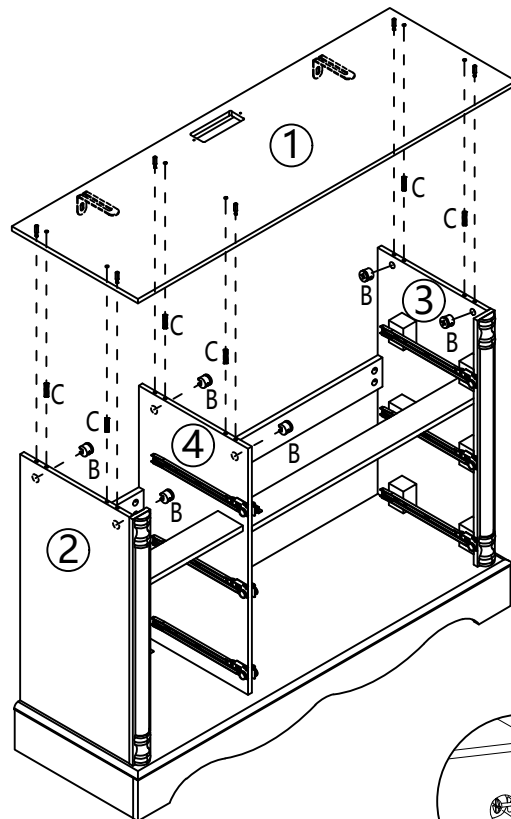
B x 6



C x 6



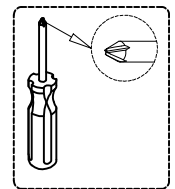
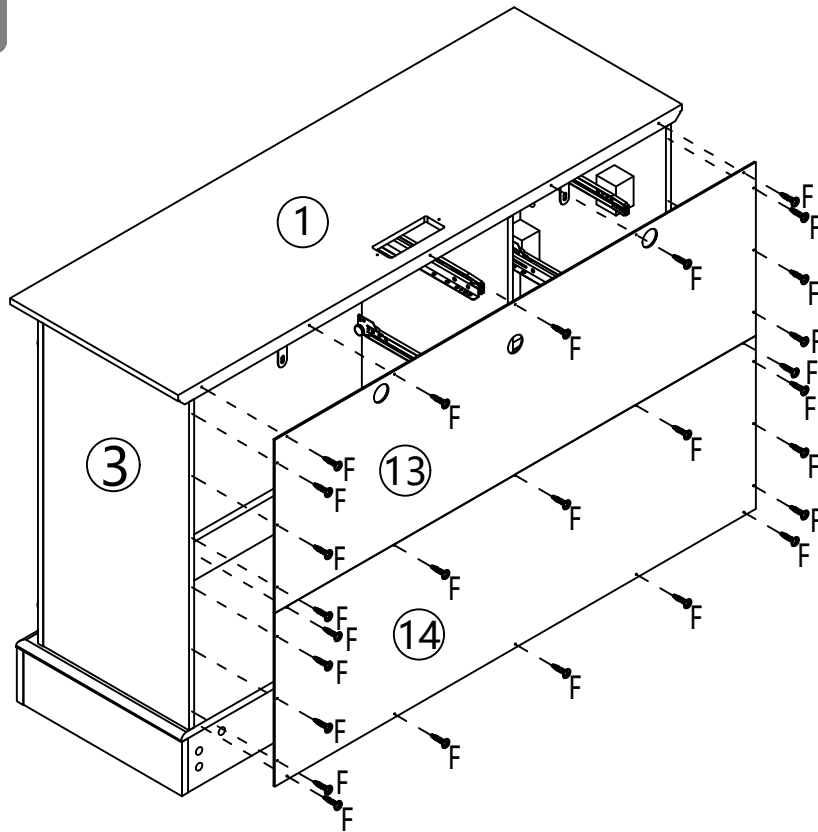
J x 6



STEP#15



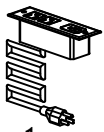
F x 27



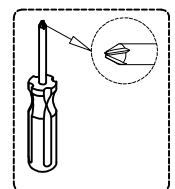
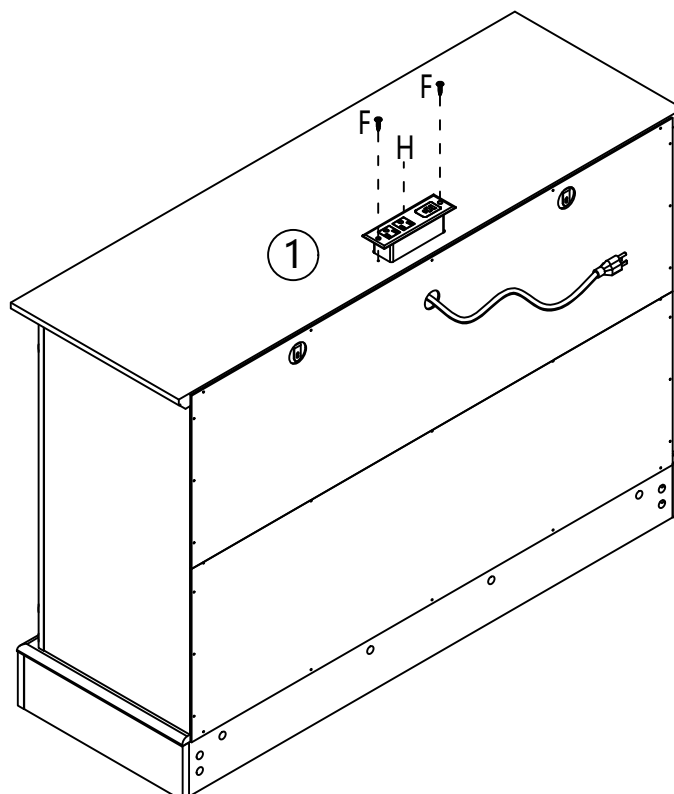
STEP#16



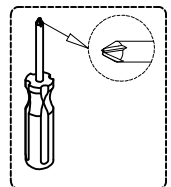
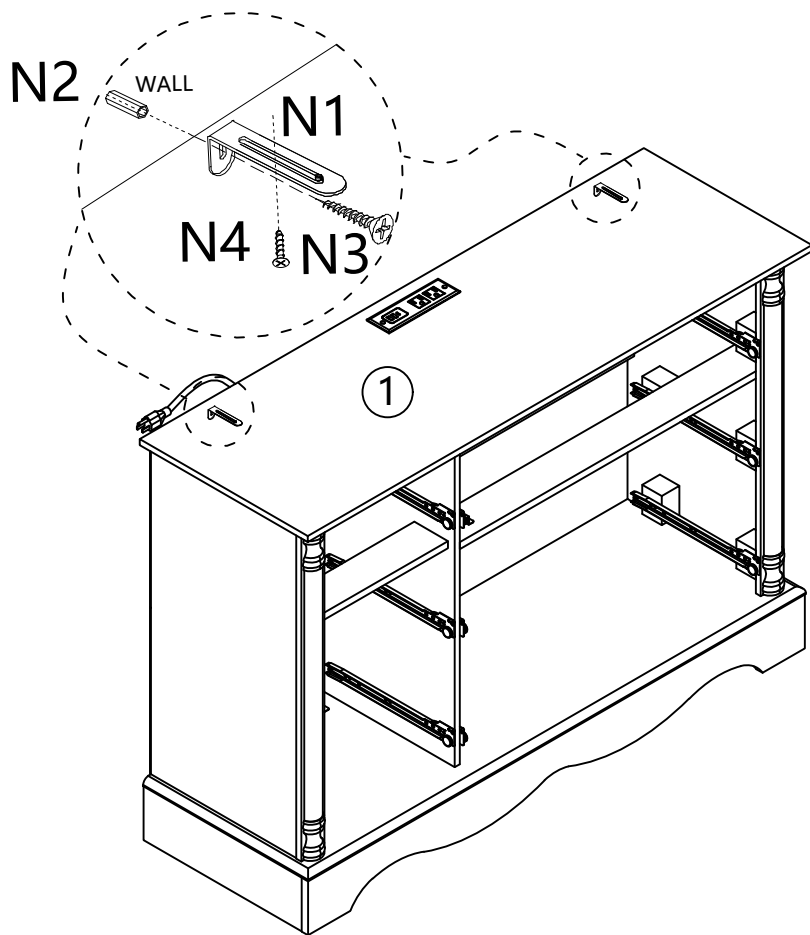
F x 2



H x 1



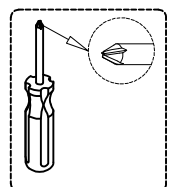
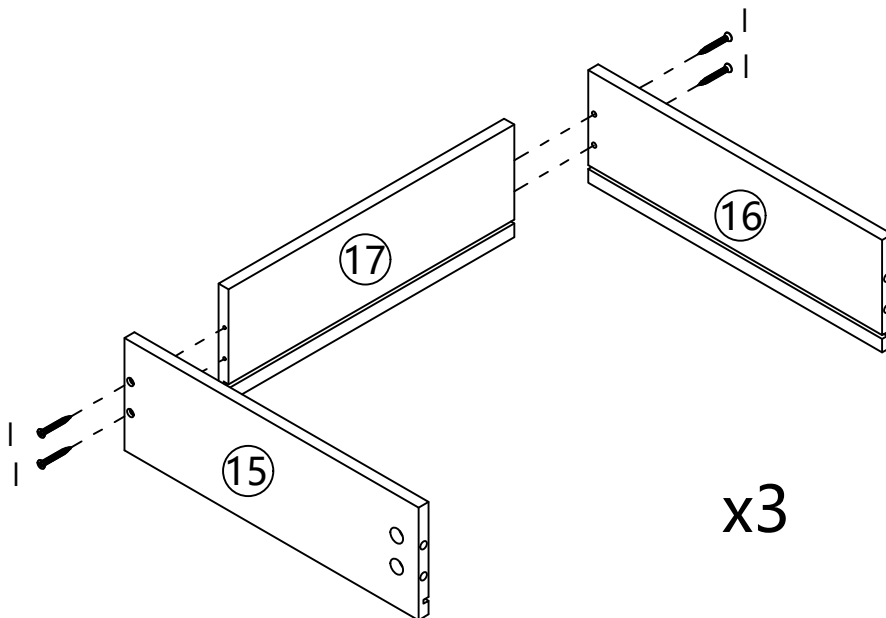
STEP#17



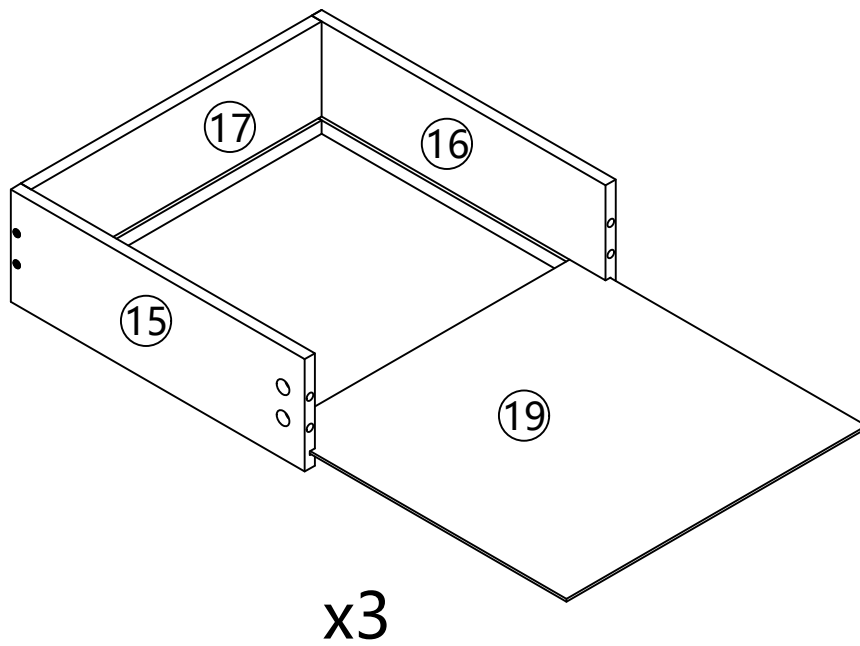
STEP#18



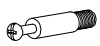
1 x 12



STEP#19



STEP#20



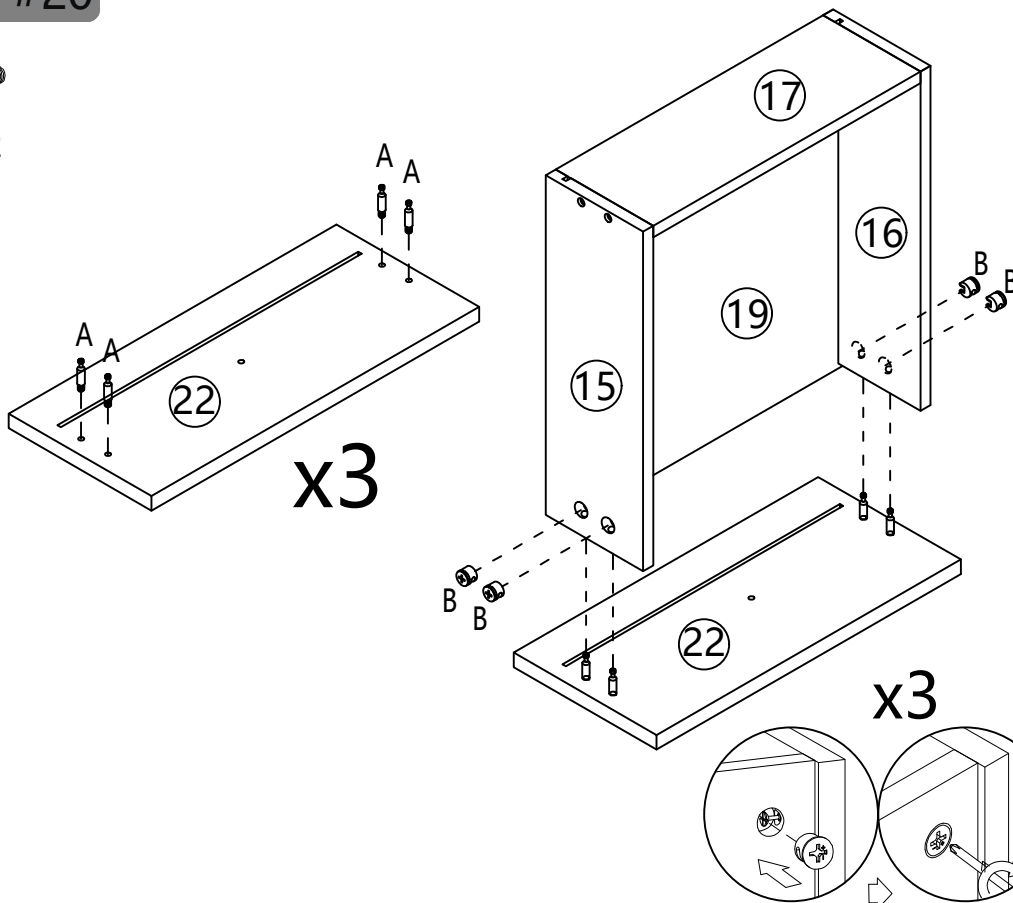
A x 12



B x 12



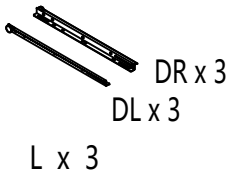
J x 12



STEP#21



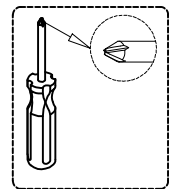
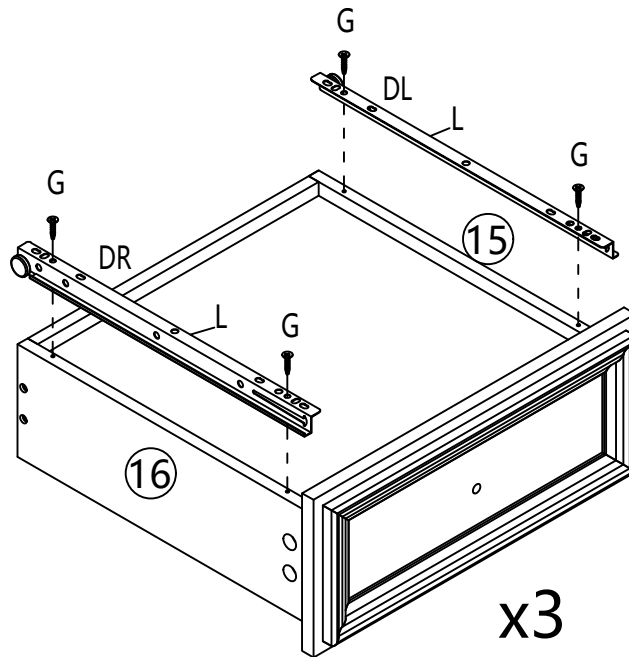
G x 12



DR x 3

DL x 3

L x 3



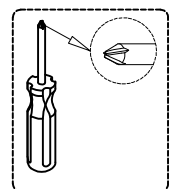
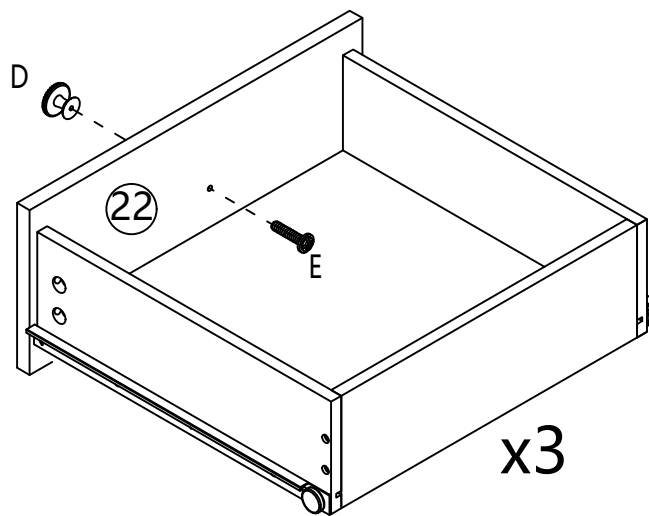
STEP#22



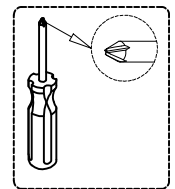
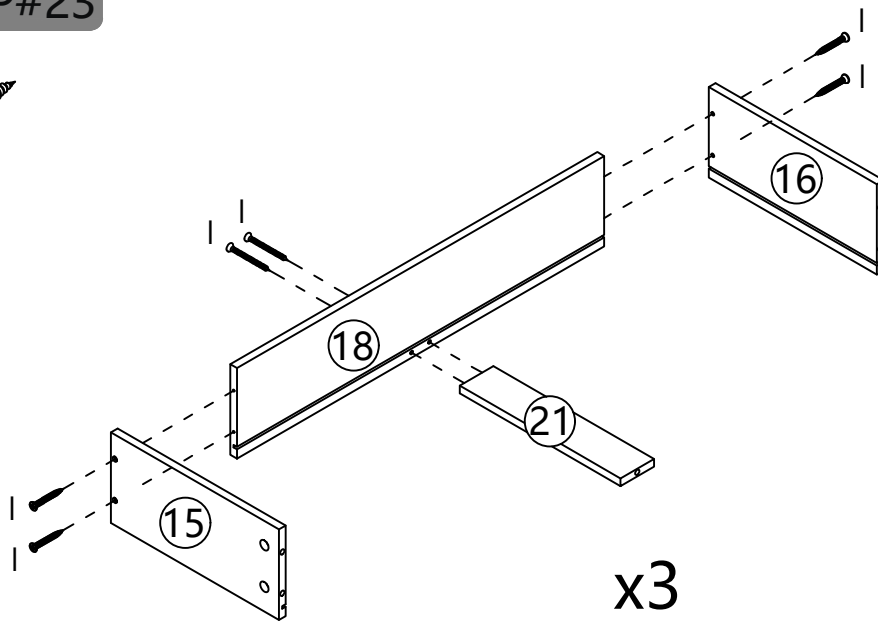
E x 3



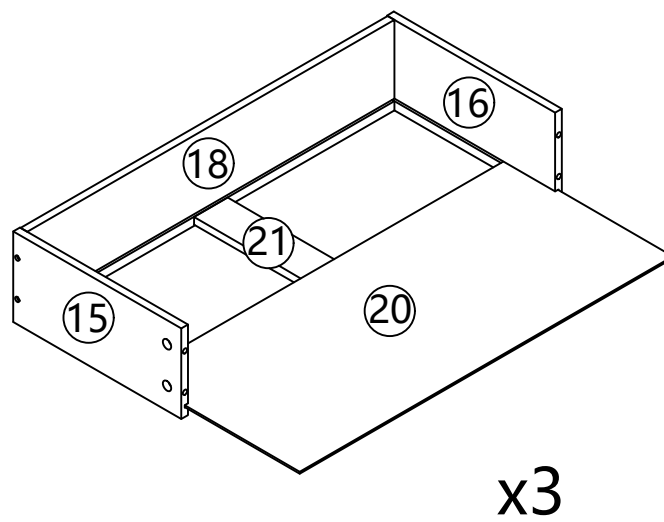
D x 3



STEP#23



STEP#24



STEP#25



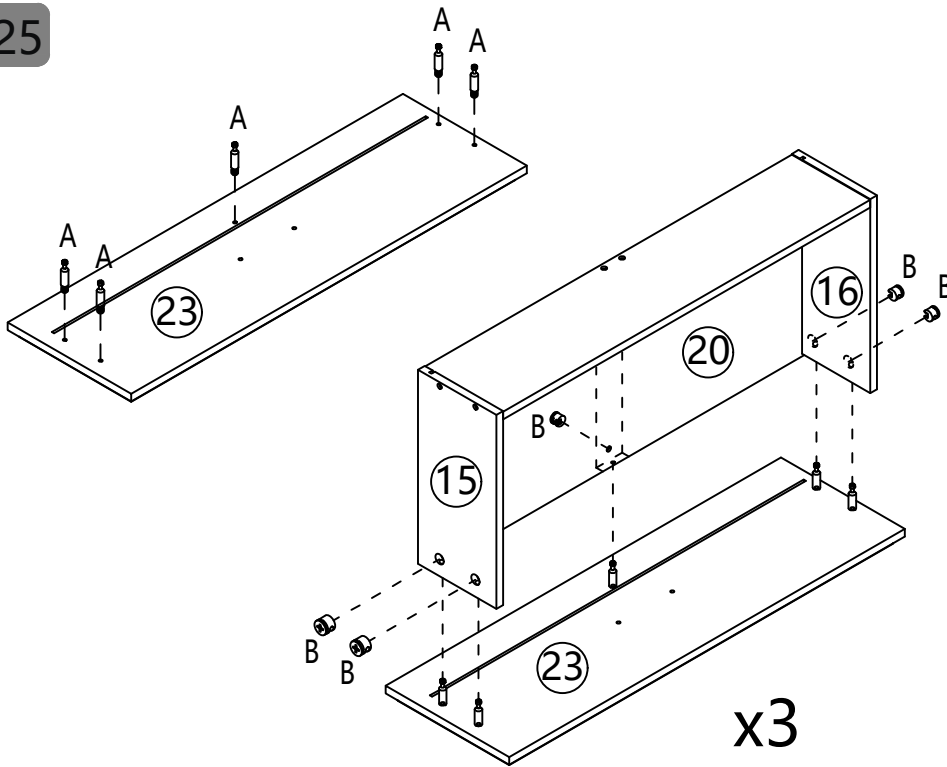
A x 15



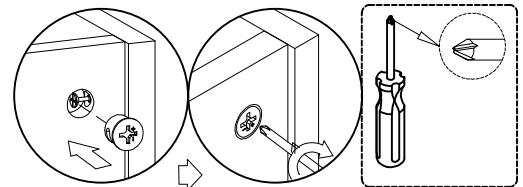
B x 15



J x 15



x3



STEP#26

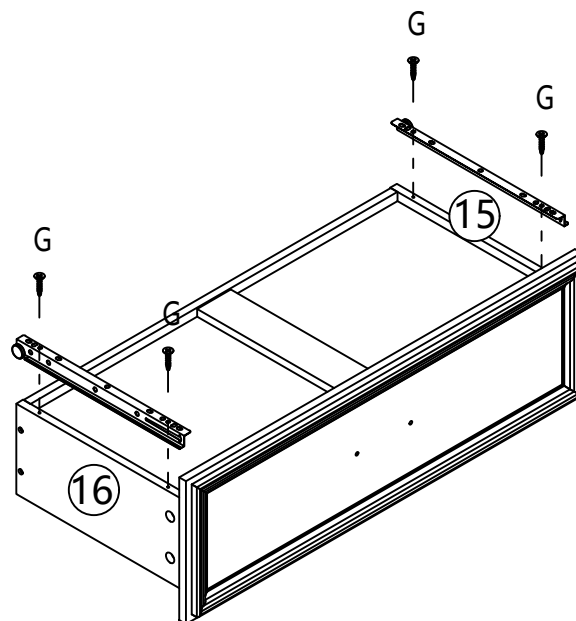


G x 12

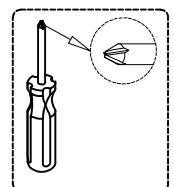


DR x 3
DL x 3

L x 3



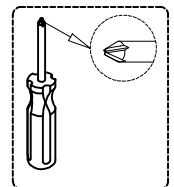
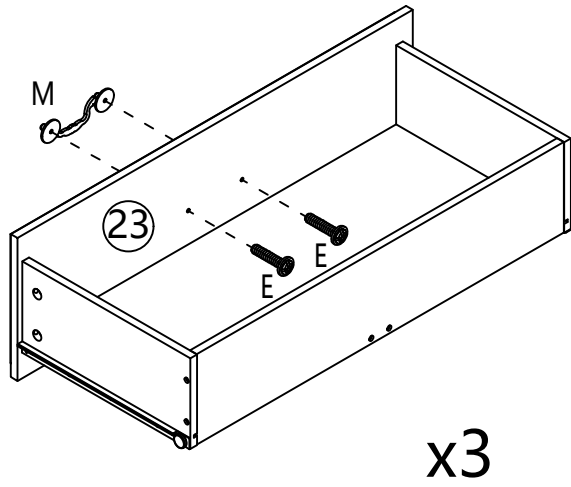
x3



STEP#27


E x 6


M x 3



STEP#28

