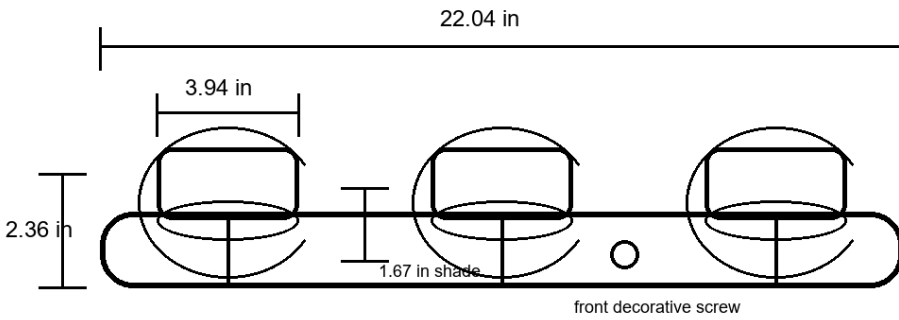


3-Light Natural Wood Travertine LED Vanity Light

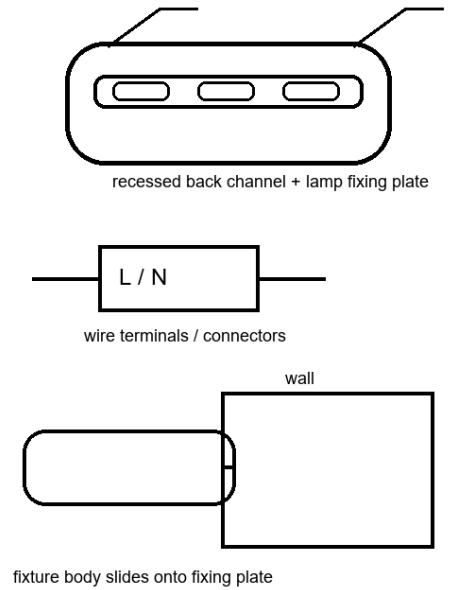
Hardwired wall fixture | Built-in LED light sources | 360deg rotatable travertine shades

Product overview



3 built-in LED sources | 360deg rotatable travertine stone shades

Rear mounting structure



Specification	Value
Overall width	22.04 in
Shade diameter	3.94 in
Fixture height	2.36 in approx.
Shade height	1.67 in
Light source	3 built-in LED light sources
Installation	Hardwired wall mount; install to secure junction box or structure.

Safety Warnings

DANGER: Turn OFF breaker and verify power is off before touching wires.

WARNING: Install per NEC (ANSI/NFPA 70) and local codes. Qualified electrician recommended.

WARNING: Connect ground wire. Do not install if no grounding conductor is available.

CAUTION: Travertine shades are natural stone and may be heavy/fragile. Handle with care.

Parts, Tools, and Wiring

Parts: fixture body with 3 LED shades, lamp fixing plate with long slots, mounting screws, front decorative screw/nut, wire terminals or listed wire connectors.

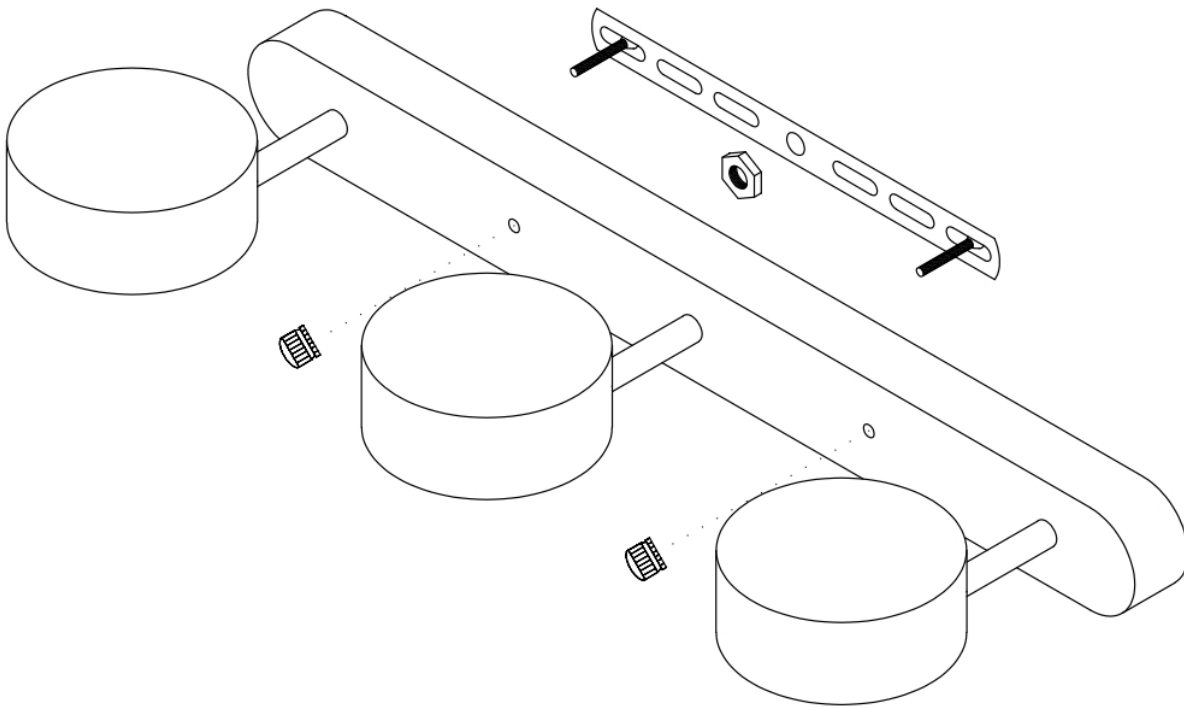
Tools: Phillips screwdriver, voltage tester, level, pencil, wire stripper/cutter if needed, ladder, gloves, safety glasses.

Fixture Wire	Supply Wire	Requirement
Black	Black/Hot (L)	Use listed terminal/connector.
White	White/Neutral (N)	Use listed terminal/connector.
Green/Bare	Ground	Connect to ground wire or ground screw.

Package Contents / Before Installation

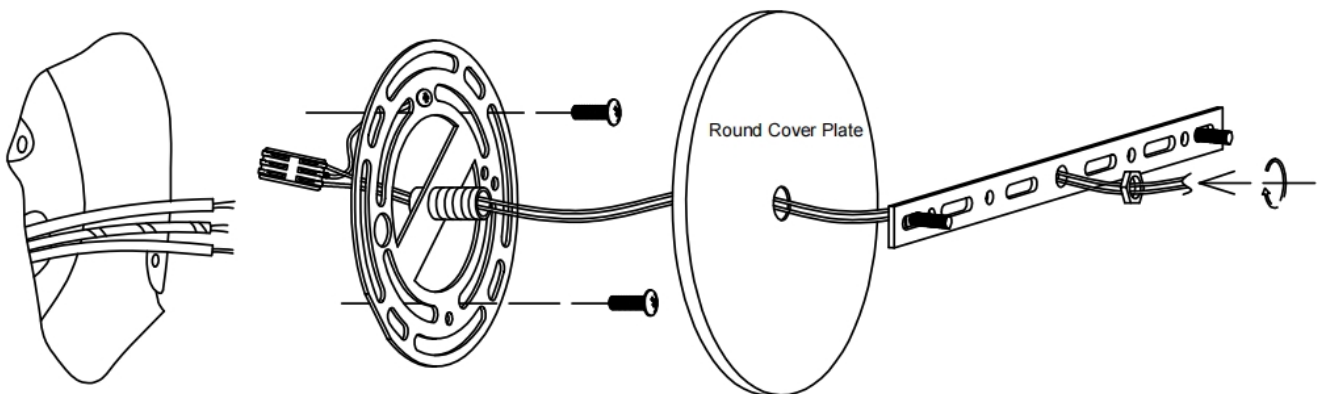
- Check all accessories before installation.
- Confirm the fixing plate matches the outlet box or wall anchors.
- Protect travertine shades on a soft surface.
- All wiring must remain inside the junction box or fixture back channel.
- Do not disassemble built-in LED modules.
- Rotate shades gently after the fixture is secure.

Installation Steps



IMPORTANT

Due to the narrow profile of this fixture, the Round Cover Plate (included) must be installed to fully cover the standard Junction Box.



1. Install the Mounting Bracket: Secure the mounting bracket to the wall junction box or designated position using the provided mounting screws. Ensure it is level and firmly fixed in place.
2. Connect the Wiring: Connect the live, neutral, and ground wires from the light fixture to the corresponding household supply wires using UL-listed wire connectors. Ensure all connections are tight and no bare copper is exposed.
3. Secure the Fixture Canopy: Align the fixture canopy (base) over the fixed mounting bracket and secure it tightly by tightening the front decorative screws.

Final Check / Care

- Fixing plate is tight and fixture does not move.
- Ground connection is complete.
- All connectors are inside the junction box or back channel.
- Front decorative screw/nut is secure.
- Clean wood/stone with soft dry cloth only.
- No alcohol, solvents, or abrasive cleaners.
- Do not modify or disassemble LED modules.
- If flicker, odor, overheating, or breaker trip occurs, turn off power.

Limited warranty: Covers defects in materials/workmanship for the seller-stated period. Excludes incorrect installation, misuse, modification, improper cleaning, third-party parts, and normal wear.