

# SHOWER FAUCET

Installation Manual



**KCHH0032-MB**

## Installation Steps

1. Refer to the «Standard Part List» when unpacking, check that all parts are present.
2. Do not disassemble the valve body.
3. Connect inlet hoses to the supply valves.
4. Make sure to flush out the supply lines to clear any possible debris before installation.
5. After installation, check all joints for possible leaks.

## Preparation before installation

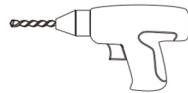
1. Please read the installation manual carefully before installation.
2. Installation work must be performed by a professional installer.
3. Installation tool:



Plumber's  
putty



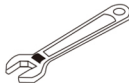
Teflon tape



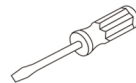
Drill



Allen wrench  
included

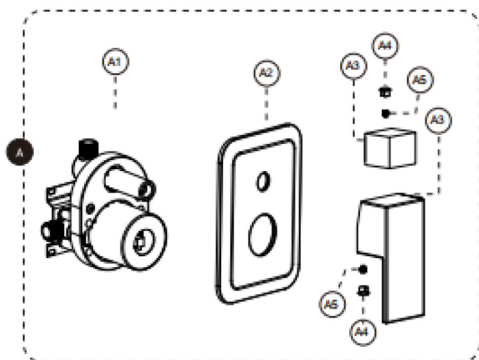
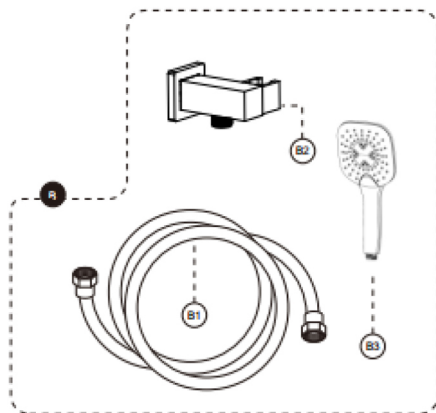
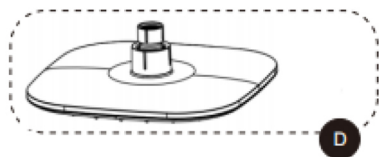
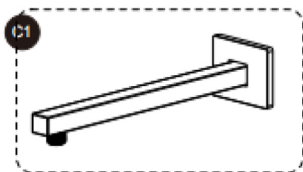


Crescent wrench



Philip screwdriver

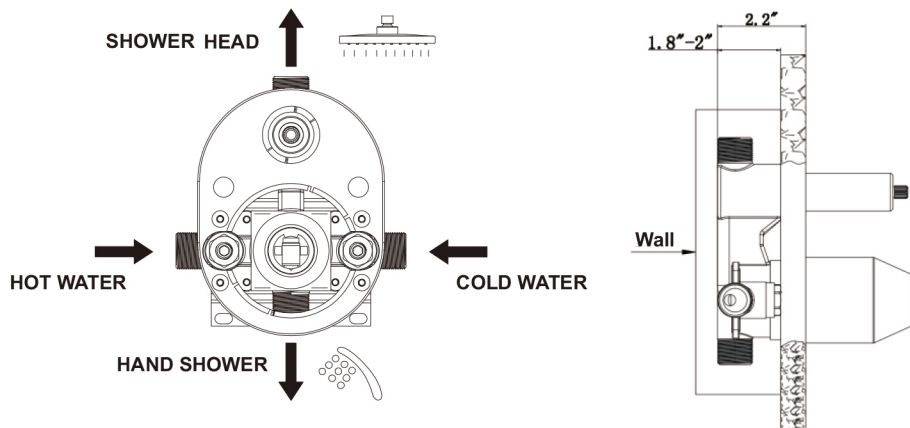
## PART LIST



No	PART
<b>A</b>	Pressure balanced diverter valve
<b>A-1</b>	Valve
<b>A-2</b>	Valve trim plate
<b>A-3</b>	Valve handle and Diverter knob
<b>A-4</b>	Screw cap
<b>A-5</b>	Set screw
<b>B</b>	Hand shower assembly
<b>B-1</b>	Shower hose
<b>B-2</b>	Hand shower arm
<b>B-3</b>	Hand shower
<b>C1</b>	Shower arm and escutcheon
<b>D</b>	Shower head

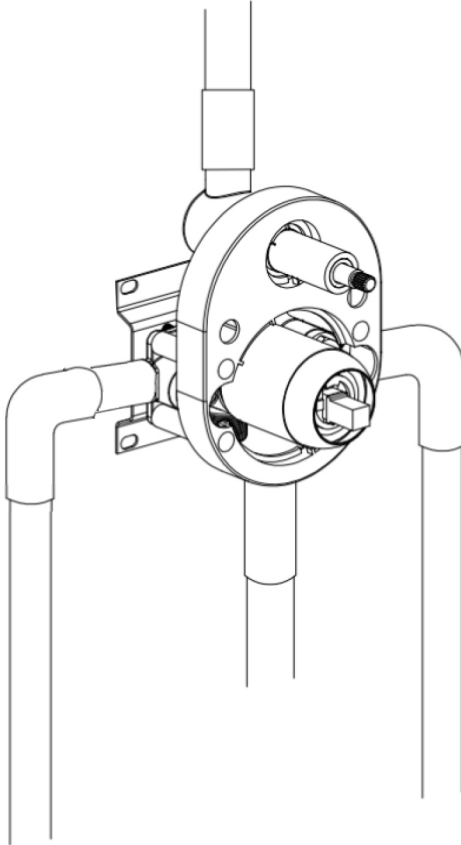
## Installation Dimensions

The depth of the embedded box is 1.8"-2.2".



## Installation of the Valve Body

Secure the valve body to the mounting surface and connect the hot, cold, shower head and hand shower water lines to the valve body.

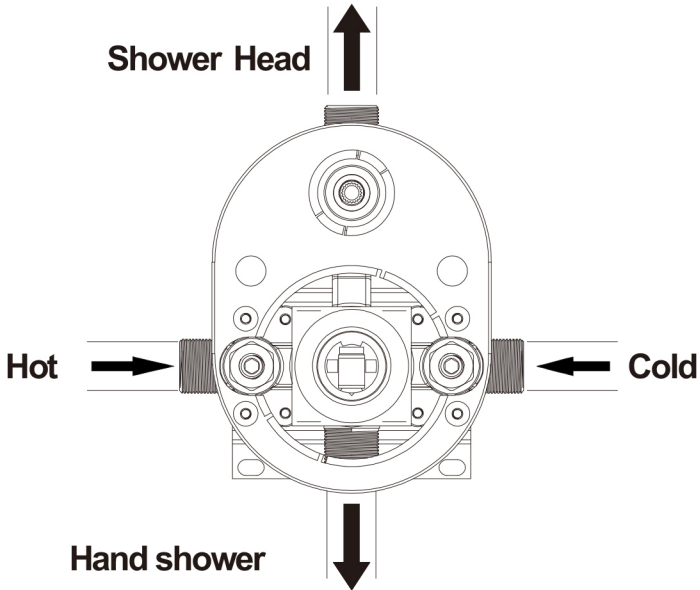


## Flushing and Testing the Water

1. After the water connections are made, remove the plastergaurd from the valve body and turn on the valve to flush any debris that may be in the water lines. To avoid clogging or a decrease in water flow.

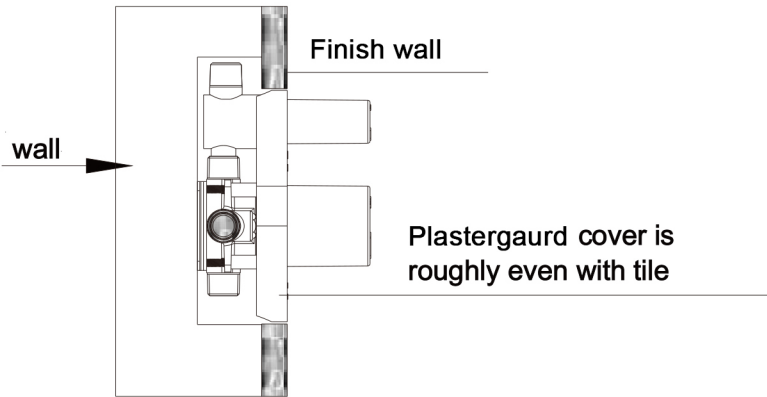
2. Plug any open water lines and turn water on to all the valve lines to ensure there is no leakage at any connections made.

NOTE: Replace the plastergaurd after testing



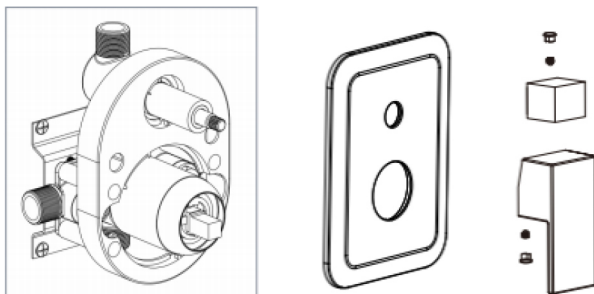
## Finishing the Valve Wall

Use a level measure the flatness of the embedded box casing and the vertical wall surface. If the wall surface is not flat, it should be patched to ensure the embedded box casing and vertical wall angle meets at nearly ideal angle of 90, then lay the tile decoration.

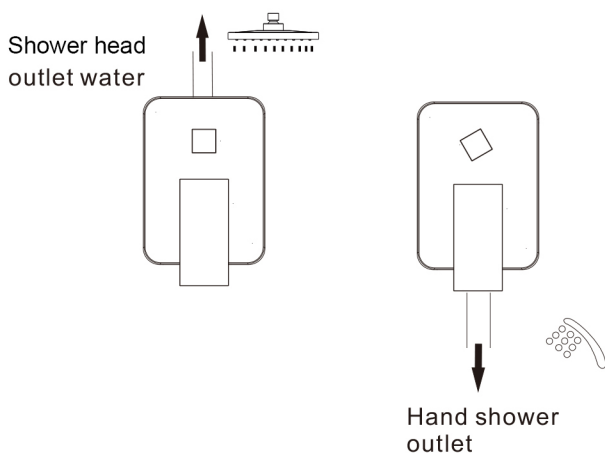


## Installation of the Valve Trim

1. Remove the plasterguard.
2. Attach the valve trim plate to the valve, making sure it is on securely, next install the valve handle and secure it with a set screw, lastly install the diverter knob securing it with a set screw.

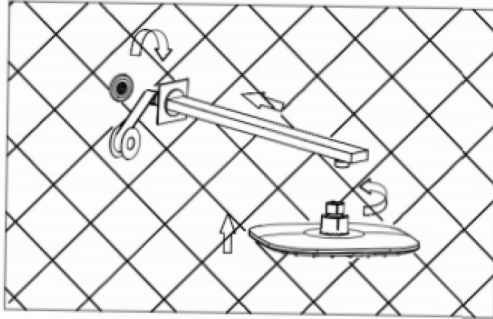


3. Ensure the diverter knob is in the proper position as shown in the image below.



## Installation of the Shower Head and Hand Shower Arm

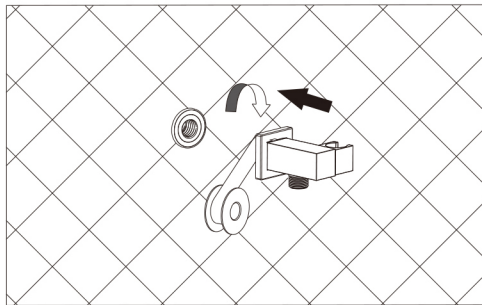
①



Wrap teflon tape around the threads of the shower arm. Screw the shower arm into the wall connection and tighten securely. Screw the shower head onto the shower arm and tighten securely.

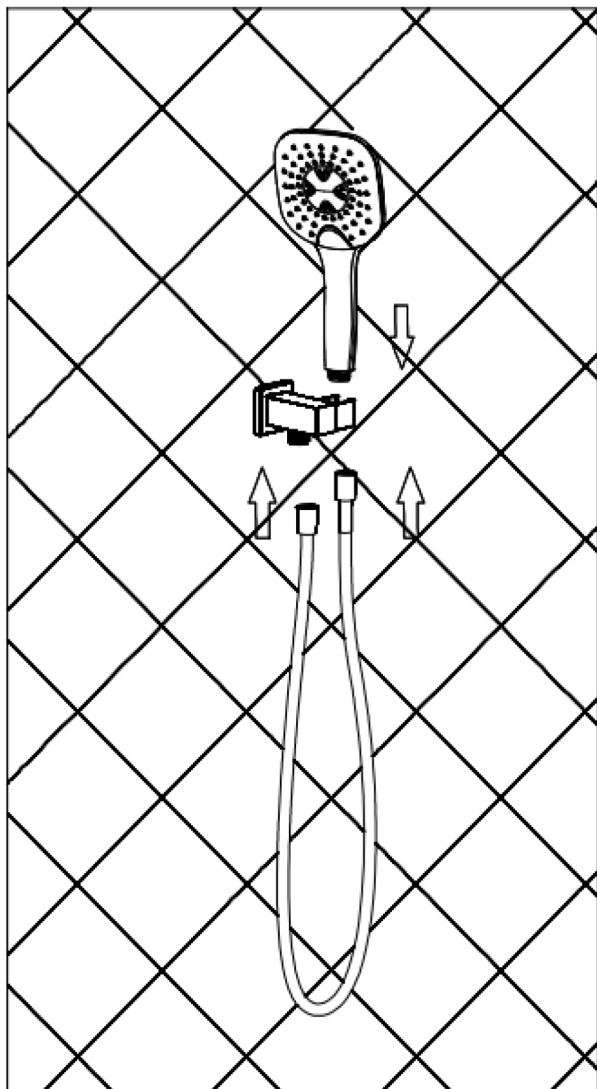
---

②



Wrap teflon tape around the threads of the hand shower arm. Screw the hand shower arm into the wall connection and tighten securely.

## Installation of the Hand Shower



Connect one end of the shower hose to the hand shower and the opposite end to the hand shower arm, insert the hand shower into the hand shower arm bracket.

## Troubleshooting

If the valve cartridge is worn out it will cause leaking.

1. Contact a professional Plumber.
2. Shut off the water main to the valve, remove the handle, diverter knob and trim plate, using a wrench remove the handle cartridge from the valve body and replace the cartridge. Re-install all parts in the opposite sequence they were removed.

## Care and Maintenance

### Do's

1. Rinse the faucet with clean water and wipe it with a soft cotton cloth
2. Use one of the following cleaners to remove dirt on the surface:

Mild liquid cleaner

Colorless glass cleaner and powder cleaner which is not abrasive and dissolves completely.

Polish liquid which is not abrasive.



### Don't's

- a. Avoid using cleaning powder, harsh cleaning chemicals, brushes and coarse cloth to prevent scratching and friction.
- b. Do not use acid cleaner to clean the faucet as it may cause surface corrosion of the faucet. If the faucet is exposed to harmful acid substances, please rinse it with water immediately.