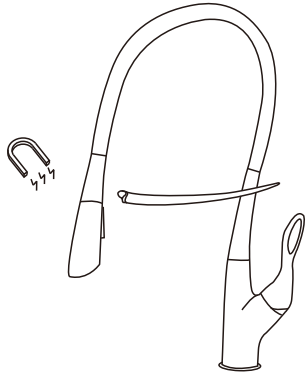


# Installation instructions



Using magnetic suction technology to secure the showerhead and bracket, need to find the correct position to fix it firmly, otherwise it will fail

2345002

## You may need

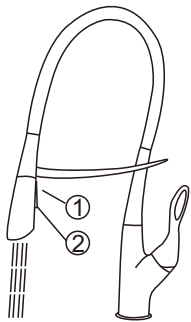


## For easy installation of your faucet you will need:

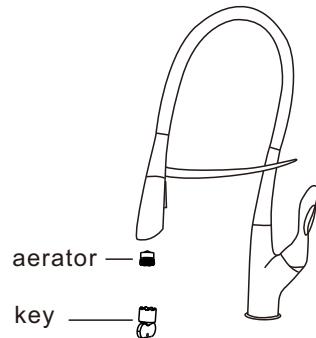
To READ ALL the instructions completely before beginning.

To READ ALL warnings, care, and maintenance information.

model 1:  
Standard  
Flow Aerator  
model 2:  
Aquablade  
Sweep

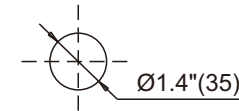
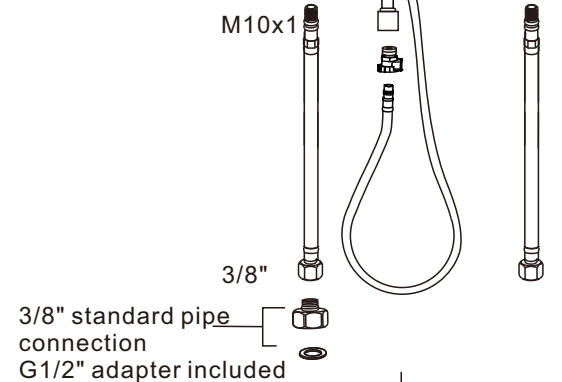
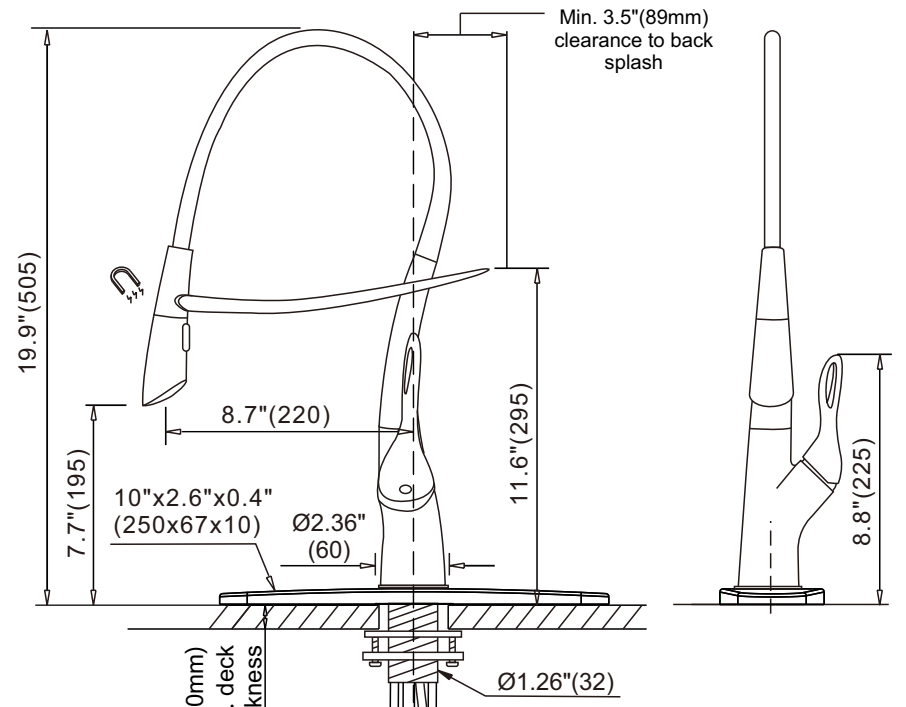


water flow pattern changed to flow aerator when the water is turned OFF.



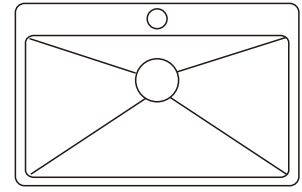
## Cleaning and Care

Care should be given to the cleaning of this product. Although its finish is extremely durable, it can be damaged by harsh abrasives or polish. To clean, simply wipe gently with a damp cloth and blot dry with a soft towel.

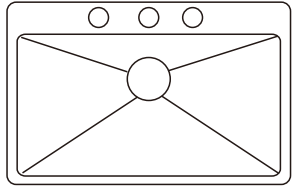


unit:inch (mm)

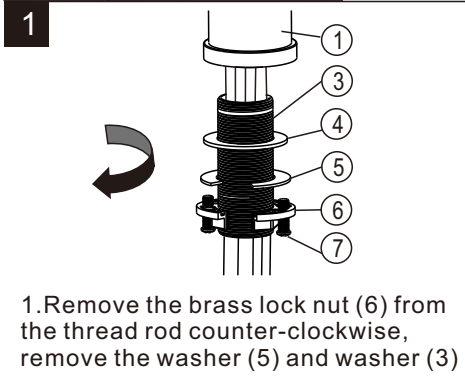
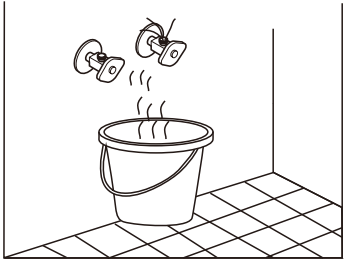
## single-hole



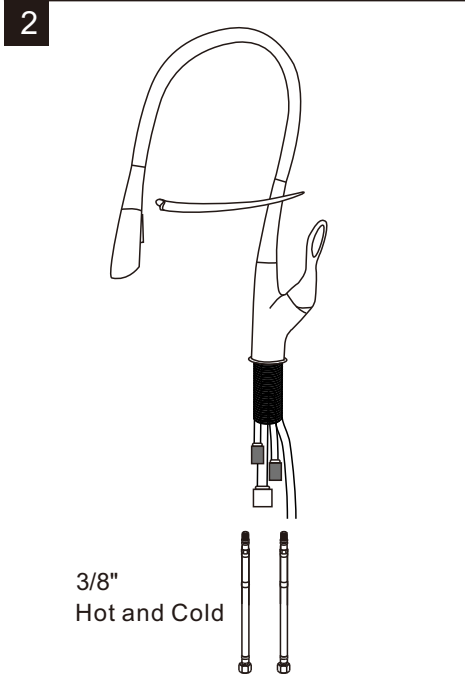
## 3-hole



Before installing the valves, clean the water pipe thoroughly to avoid dirt and deposits.

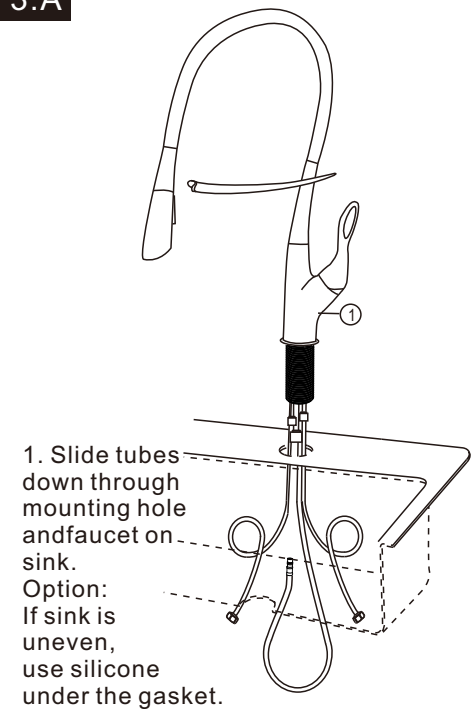


1. Remove the brass lock nut (6) from the thread rod counter-clockwise, remove the washer (5) and washer (3)



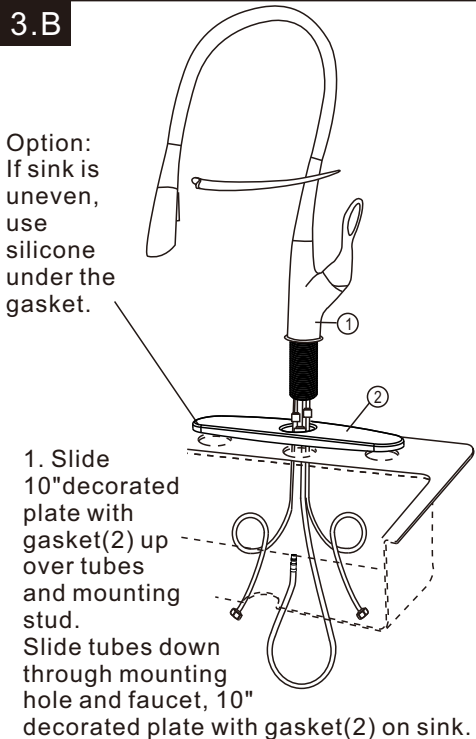
Attach flexible hoses under the faucet body.

**3.A**



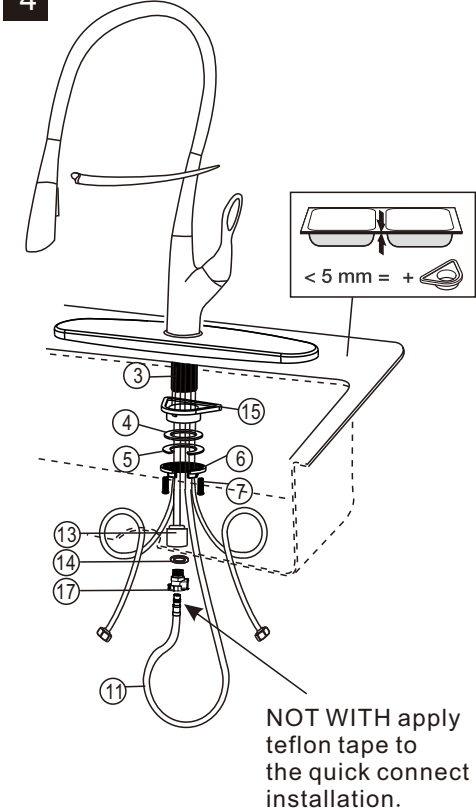
1. Slide tubes down through mounting hole and faucet on sink.  
Option:  
If sink is uneven, use silicone under the gasket.

**3.B**



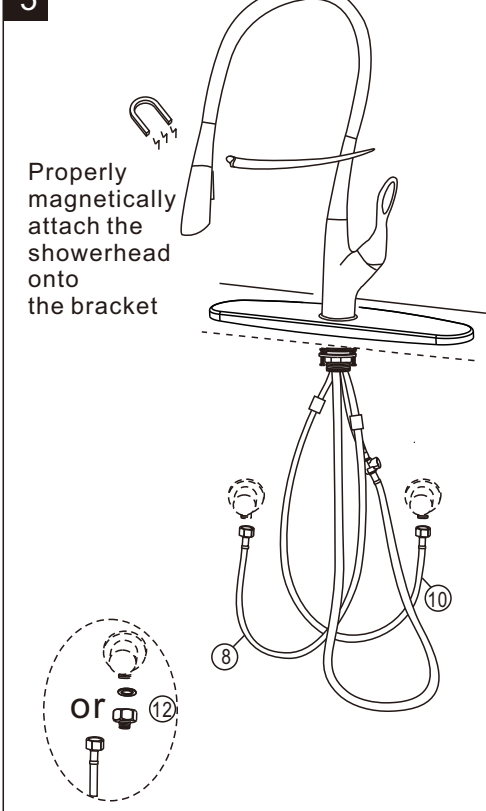
Option:  
If sink is uneven, use silicone under the gasket.  
1. Slide 10" decorated plate with gasket(2) up over tubes and mounting stud.  
Slide tubes down through mounting hole and faucet, 10" decorated plate with gasket(2) on sink.

**4**



1. Use the triangle fastener(15) when the thickness of sink <5mm.  
2. Place Triangle fastener (15) and washer(4) and metal plate(5) over mounting stud(3) under sink. Secure with mounting nut(6), tighten the screws(7) to fix the faucet body.  
3. Screw the quick connector (17) with gasket (14) onto the M15 inlet pipe (13) of the faucet.  
4. Attach pull-out hose (11) on quick connects (17).

**5**



1. Attach supply hot(8) and cool lines(9).  
2. If the angle is G1/2", please use G3/8" standard pipe connection G1/2" adapter included (12).  
Do not overtighten. Turn water back on.  
Check for Leaks  
Turn on water and check all connections at arrows for leaks. Refer back to the appropriate installation instructions and retighten if necessary.