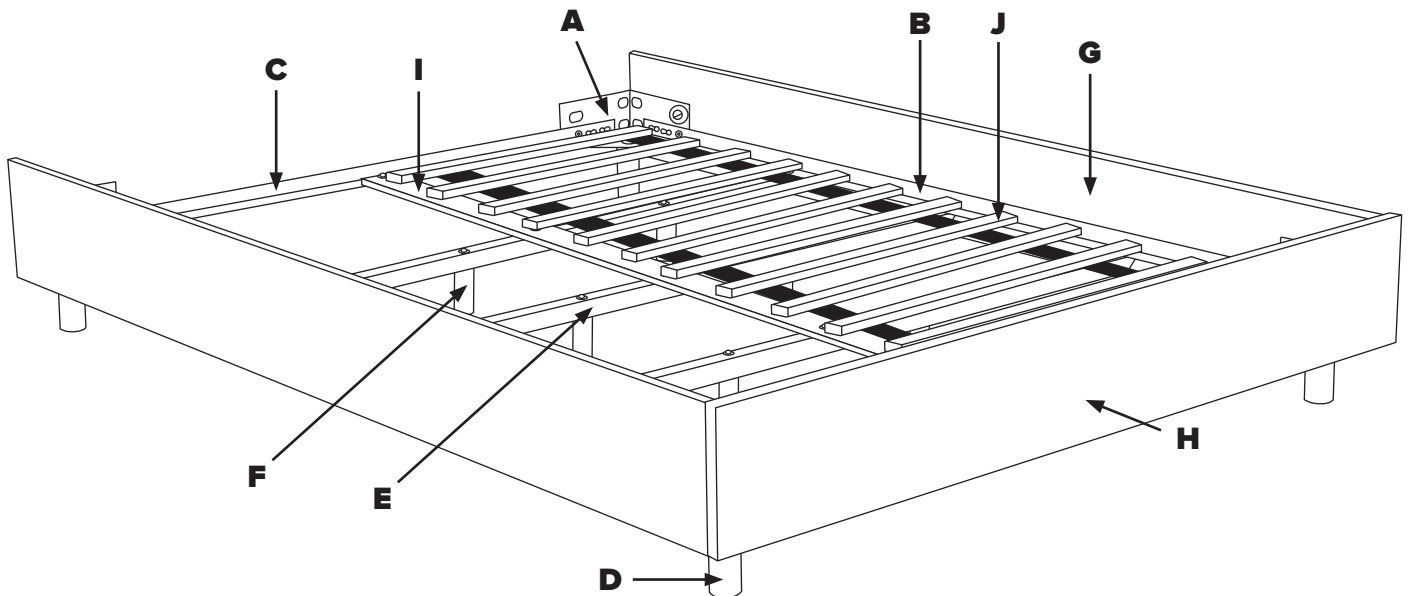


# KING PLATFORM BED FRAME ASSEMBLY

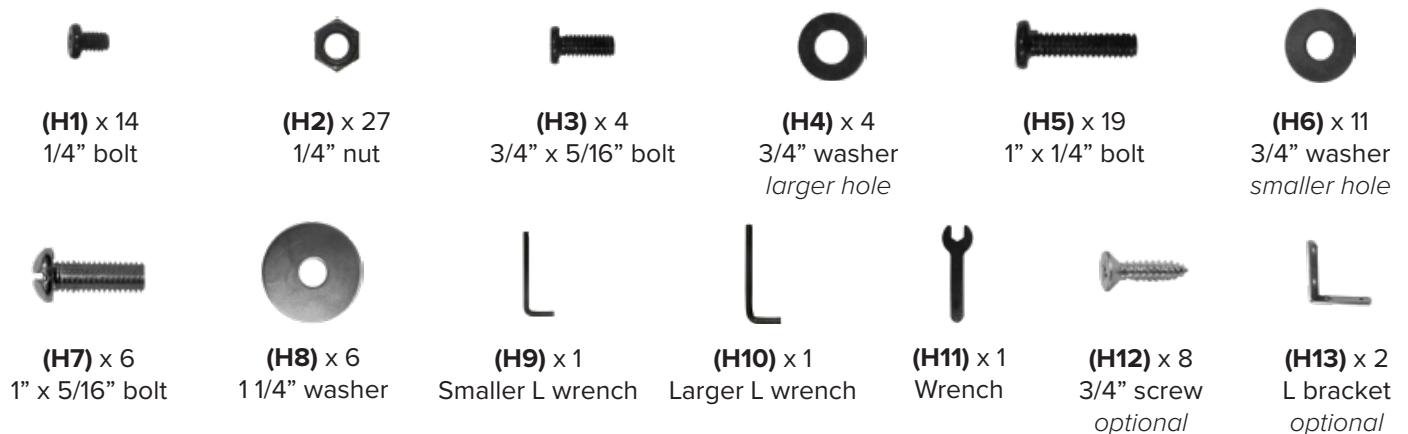
For all king size PBD styles

## COMPONENTS

ITEM	DESCRIPTION	QTY	ITEM	DESCRIPTION	QTY
<b>A</b>	Metal corners	4	<b>F</b>	Center support leg	6
<b>B</b>	Metal side rail	2	<b>G</b>	Upholstered side rail	2
<b>C</b>	Metal end rail	2	<b>H</b>	Upholstered foot rail	1
<b>D</b>	Corner leg	4	<b>I</b>	Vertical support rail	1
<b>E</b>	Center support rail	3	<b>J</b>	Wooden slat roll (located in headboard box)	2



## HARDWARE



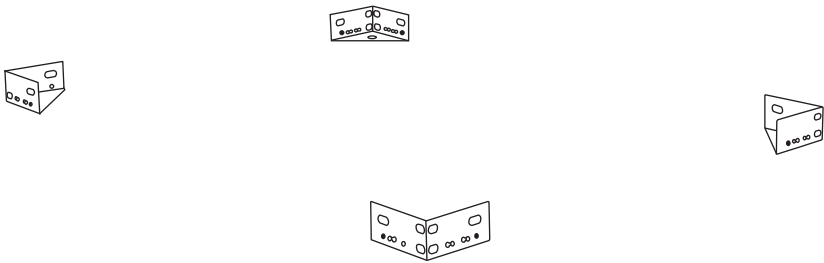
Please note: you will need a flat head and phillips head screwdriver to assemble your bed frame.

# KING PLATFORM BED FRAME ASSEMBLY

For all king size PBD styles

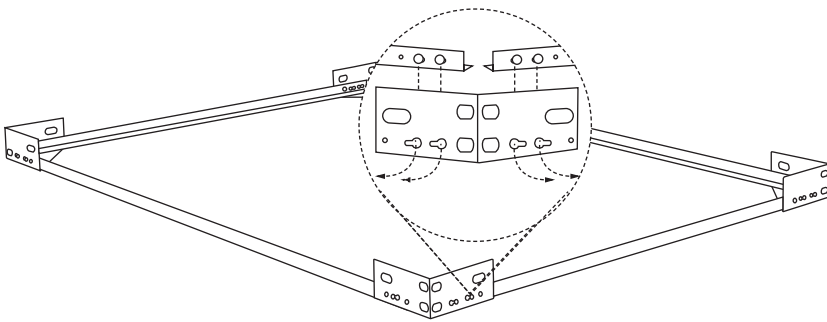
## STEP 1 - BUILDING THE METAL BED FRAME

---



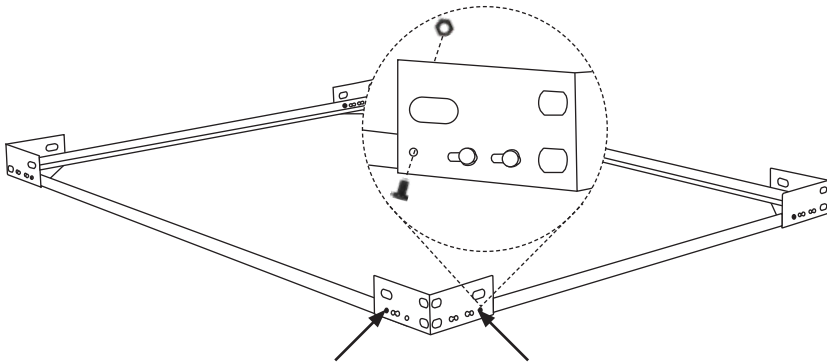
### 1.1

Place (A) metal corners in a rectangular shape roughly the size of your mattress.



### 1.2

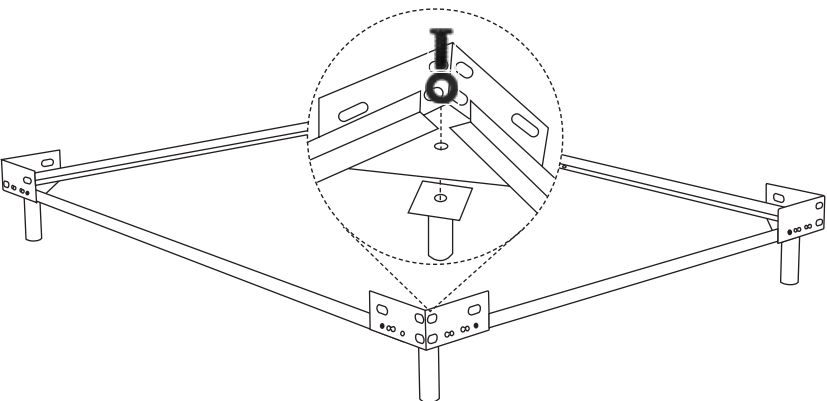
Lay (B) and (C) metal rails into (A) metal corners to create the shape of your bed frame. Snap into place.



### 1.3

Secure (B, C) metal rails to (A) metal corners using (H1) bolts and (H2) nuts. Tighten using (H9) L wrench and (H11) wrench.

*Please note: (H2) nuts should be on the inside of the frame.*



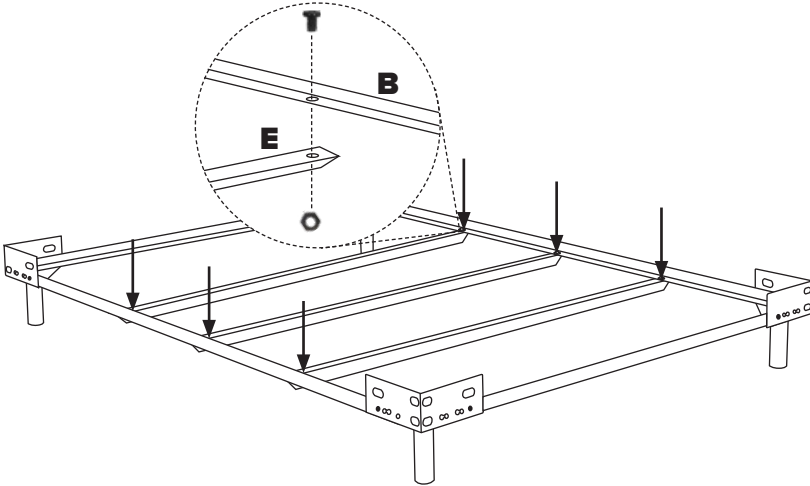
### 1.4

Carefully attach (D) corner legs underneath (A) metal corners using (H3) bolts and (H4) washers. Tighten using (H10) L wrench.

# KING PLATFORM BED FRAME ASSEMBLY

For all king size PBD styles

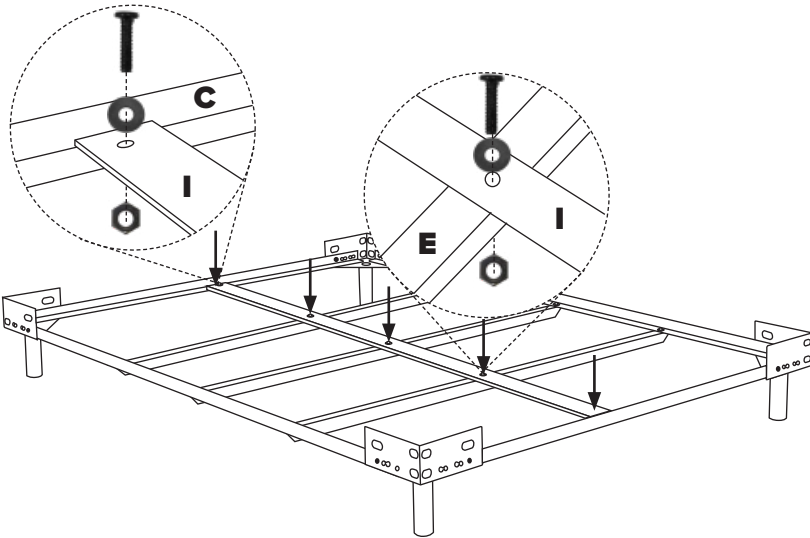
## STEP 2 - CENTER SUPPORT SYSTEM



### 2.1

Align holes of (E) center support rail with holes on (B) metal side rails. Attach using (H1) bolts and (H2) nut. Tighten using (H9, H11) wrenches.

*Please note: (E) center support rail attaches underneath (B) metal side rails.*

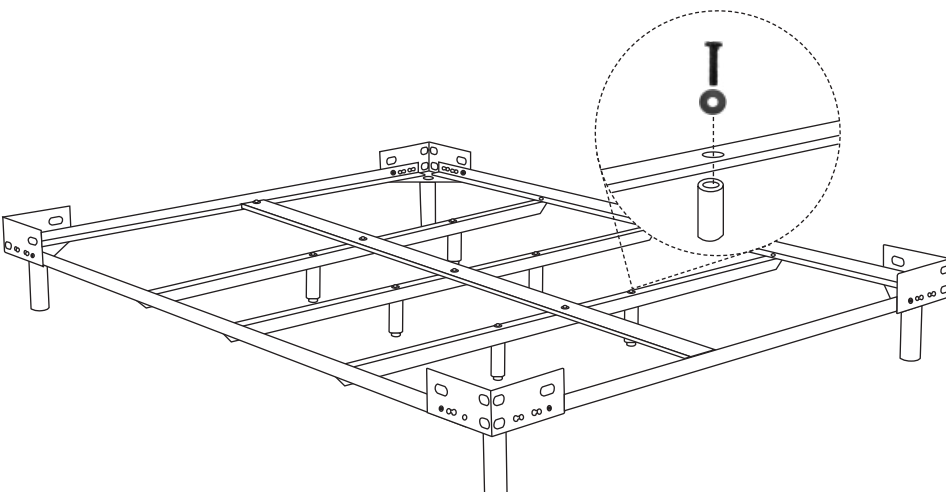


### 2.2

Align hole of (I) vertical support rail with holes on (C) metal end rail. Attach using (H5) bolts, (H6) washers and (H2) nuts.

Attach (I) vertical support rail to (E) center support rails using (H5) bolts, (H6) washers and (H2) nuts. Tighten using (H9, H11) wrenches.

*Please note: (I) vertical support rail attaches above (E) center support rail.*



### 2.3

Attach (F) center support legs to (E, I) support rail using (H5) bolts and (H6) washer. Tighten using (H9) L wrench.

*Please note: (F) center support legs can be adjusted in height by twisting the foot at the bottom of the leg.*

# KING PLATFORM BED FRAME ASSEMBLY

For all king size PBD styles

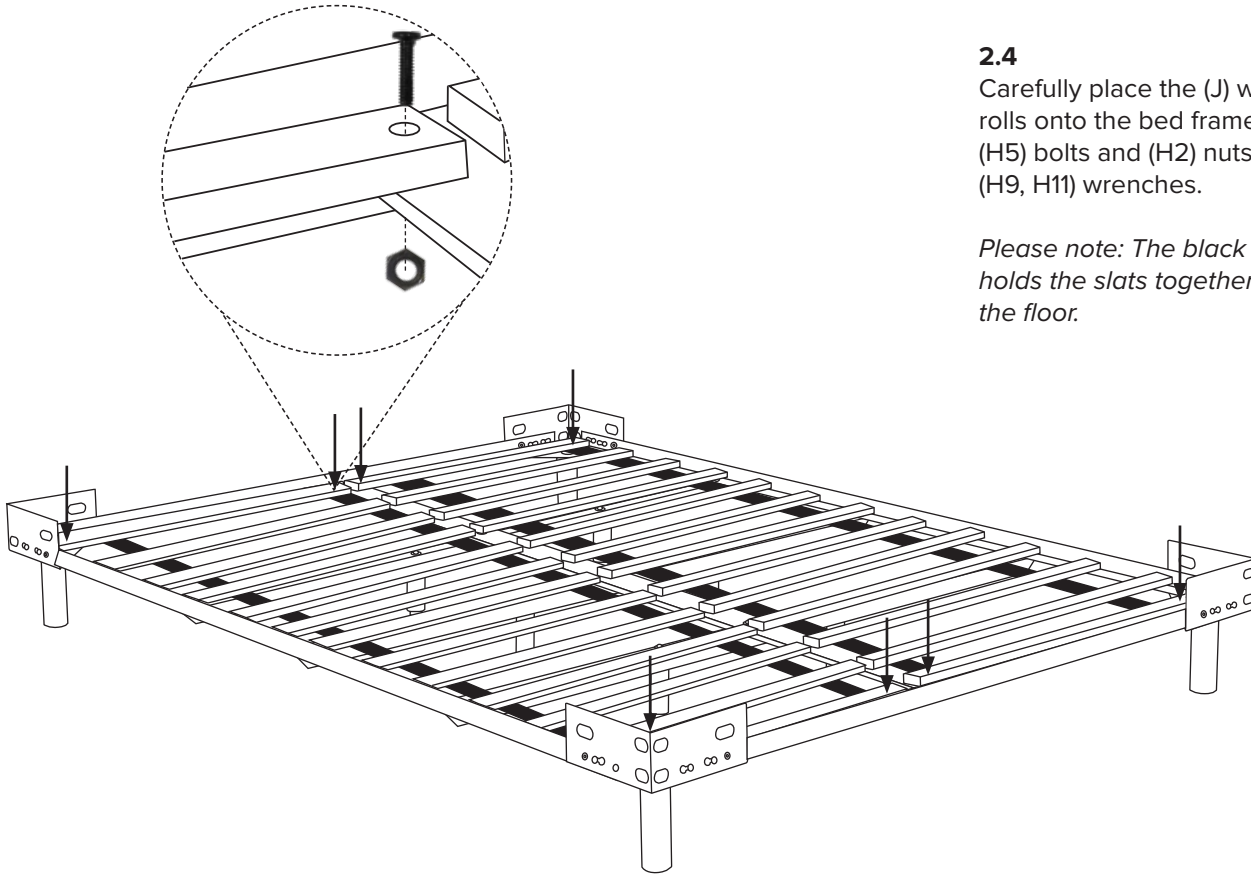
## STEP 2 - CENTER SUPPORT SYSTEM CONTINUED

---

### 2.4

Carefully place the (J) wooden slat rolls onto the bed frame. Attach using (H5) bolts and (H2) nuts. Tighten with (H9, H11) wrenches.

*Please note: The black band that holds the slats together should face the floor.*



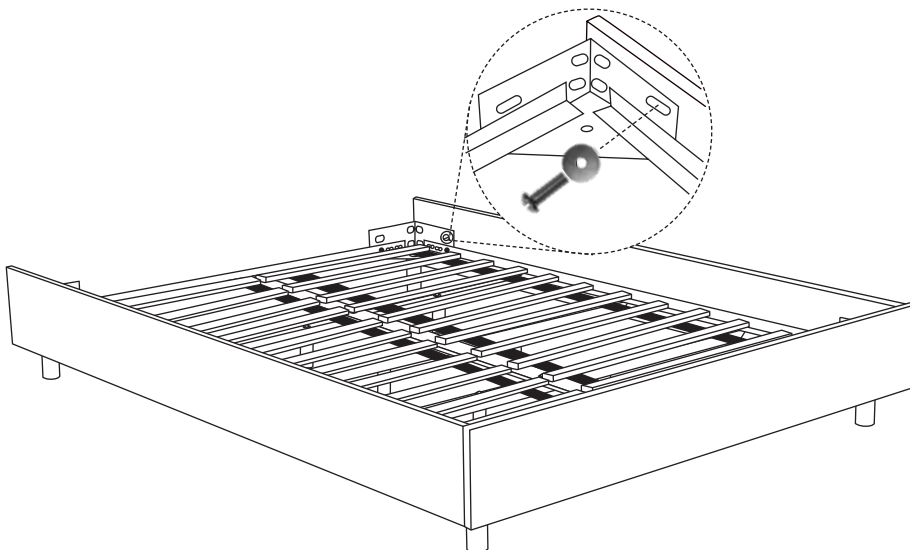
## STEP 3 - ATTACHING THE UPHOLSTERED RAILS

---

### 3.1

Loosely attach (G, H) upholstered rails to bed frame using (H7) bolts and (H8) washers.

*Please note: if (G) upholstered side rails have an additional hole, make sure the hole faces upwards and away from the (H) upholstered foot rail.*

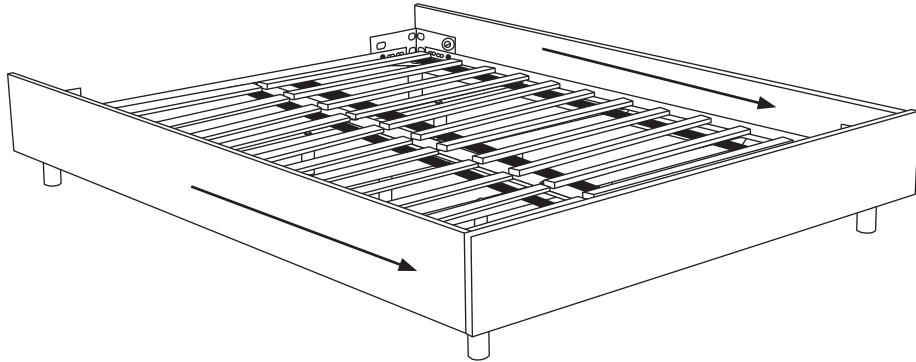


# KING PLATFORM BED FRAME ASSEMBLY

For all king size PBD styles

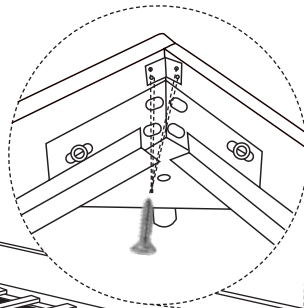
## STEP 3 - ATTACHING THE UPHOLSTERED RAILS CONTINUED

---



### 3.2

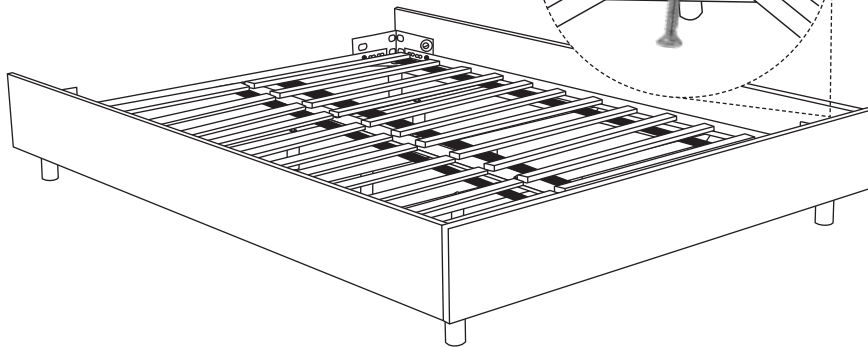
Push (G) upholstered side rails toward (H) upholstered foot rail to eliminate any gaps. Tighten (G) upholstered side rails first, then (H) upholstered foot rail using flat head screwdriver.



### 3.3 (OPTIONAL)

To reinforce stability of (G, H) upholstered rails, use a phillips screwdriver to attach (H13) L brackets using (H12) screws.

*Please note: this requires screwing (H12) directly into the upholstered side rail.*



## ATTACHING YOUR HEADBOARD

---

*For instructions on how to attach your headboard to your bed frame, please consult the assembly instructions found in the box your headboard was shipped in.*

### LIMITED WARRANTY

---

We guarantee our upholstered furniture against defects in construction for a period of one (1) year. When a structural defect is brought to our attention, we will repair or replace it at our option at no charge to the customer (includes parts and labor, not transportation costs). Fabric wearability for upholstered furniture is not covered by the warranty. Vacuum for regular cleaning.

PLEASE DISPOSE OF PLASTIC BAG(S) AND CARTON(S) RESPONSIBLY.