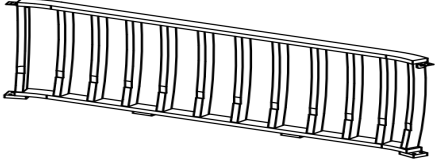
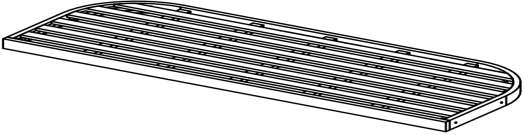
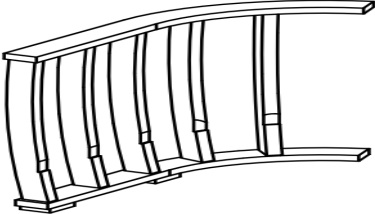
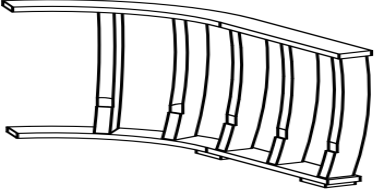
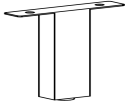
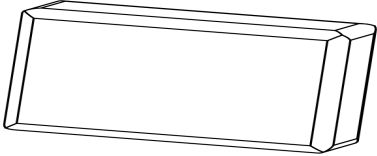
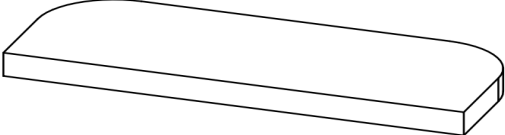


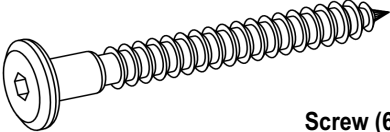
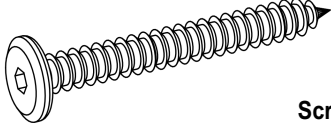
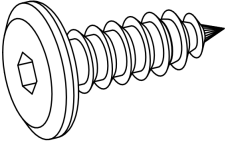
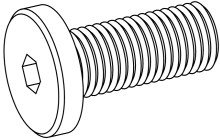
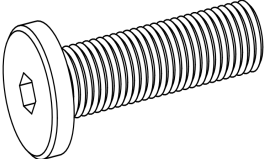
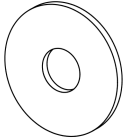
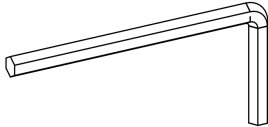
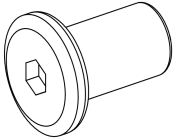
Hello! Please read these important attentions...

Please put a thick carpet on the ground to protect the furniture finish and corners. During the installation process, **DON' T** fasten screws tight 100% at a time.

ASSEMBLY INSTRUCTION

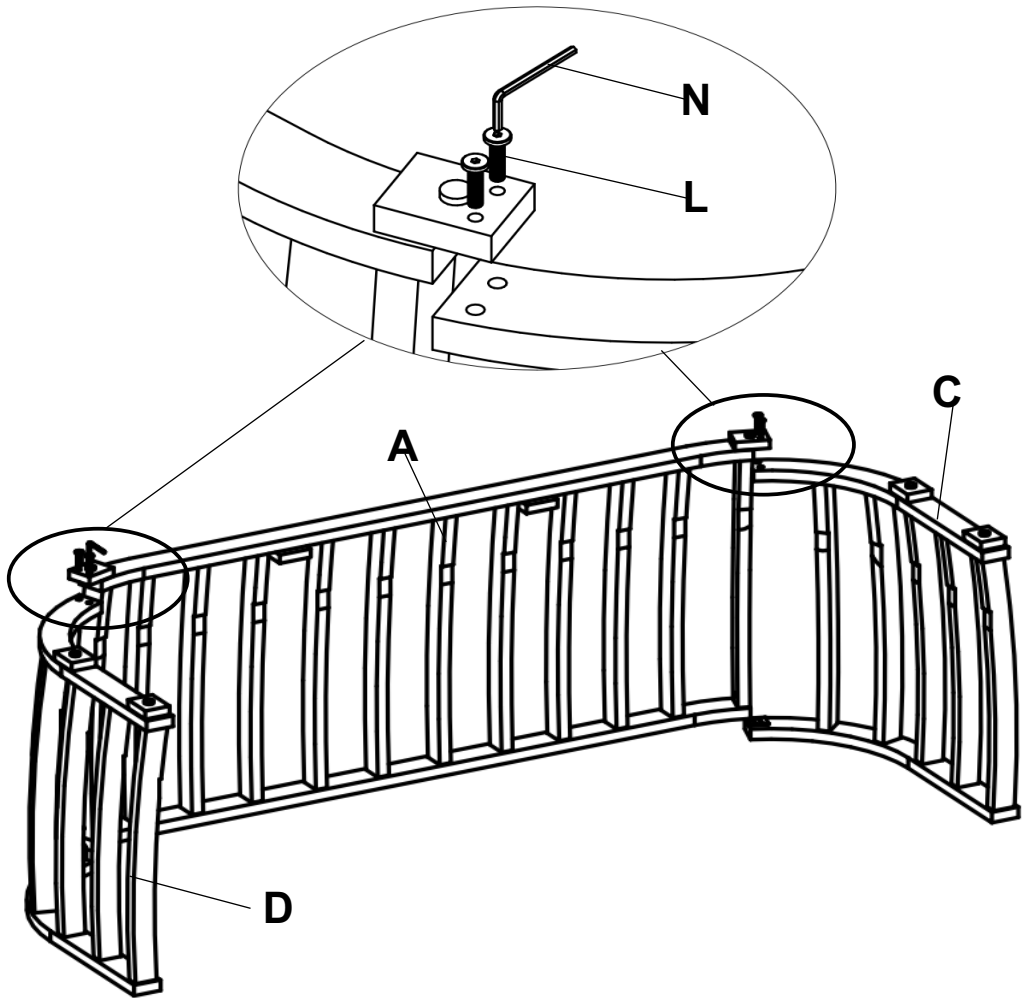
NUMBER	COMPONENT	QUANTITY
A	 <p>BACKREST PANLE</p>	1 PCS
B	 <p>SEAT PANLE</p>	1 PCS
C	 <p>LEFT LEG PANLE</p>	1 PCS
D	 <p>RIGHT LEG PANLE</p>	1 PCS
E	 <p>SUPPORT</p>	1 PCS
F	 <p>BACK CUSHION</p>	3 PCS
G	 <p>SEAT CUSHION</p>	1 PCS

ASSEMBLY INSTRUCTION

H	 <p data-bbox="605 228 777 252">Screw (6x70mm)</p>	3PCS
I	 <p data-bbox="600 406 771 429">Screw (6x50mm)</p>	7PCS
J	 <p data-bbox="600 589 773 613">Screw (6x20mm)</p>	3PCS
K	 <p data-bbox="611 796 762 820">Bolt (6x20mm)</p>	3PCS
L	 <p data-bbox="611 997 762 1020">Bolt (6x30mm)</p>	5PCS
M	 <p data-bbox="561 1165 779 1188">Washer (6X20X2 mm)</p>	9PCS
N	 <p data-bbox="611 1329 751 1353">Allen Wrench</p>	2PCS
O	 <p data-bbox="566 1494 779 1517">Sleeve Nut(6x13mm)</p>	3PCS

ASSEMBLY INSTRUCTION

①



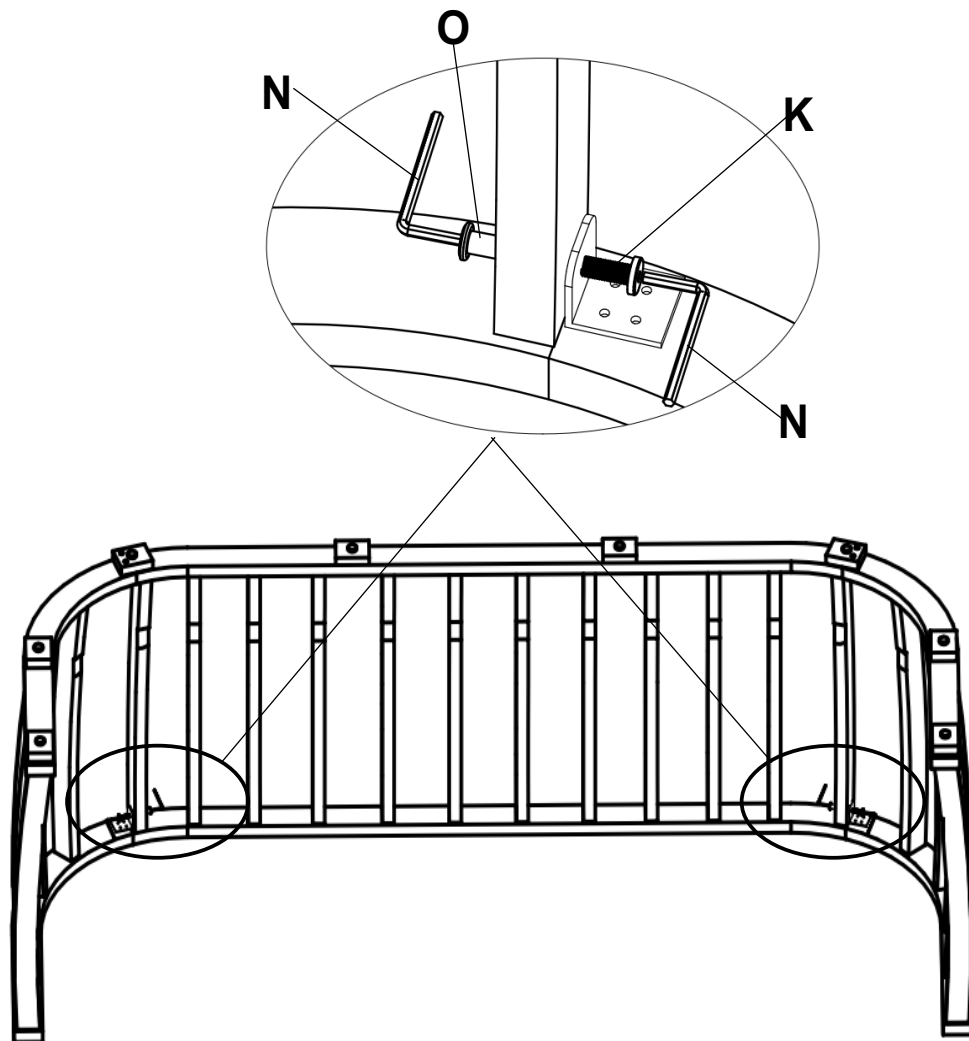
Place the Backrest Panel(A) stand onto a clean, non-marring surface and flip it.

1.1 Attach the Right Leg Panel(D) to the Backrest Panel(A) using Bolt(L) and AllenWrench(N).

1.2 Attach the Left Leg Panel(C) to the Backrest Panel(A) using Bolt(L) and AllenWrench(N).

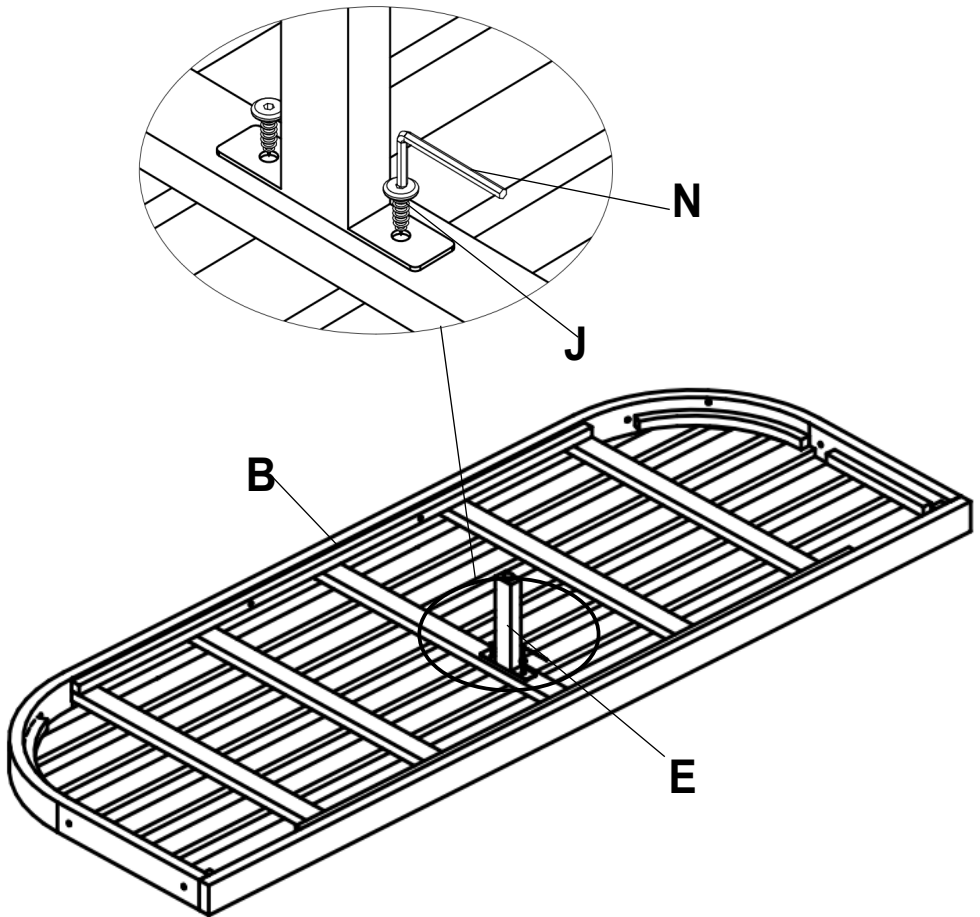
Note : only eighteen 80%.

②



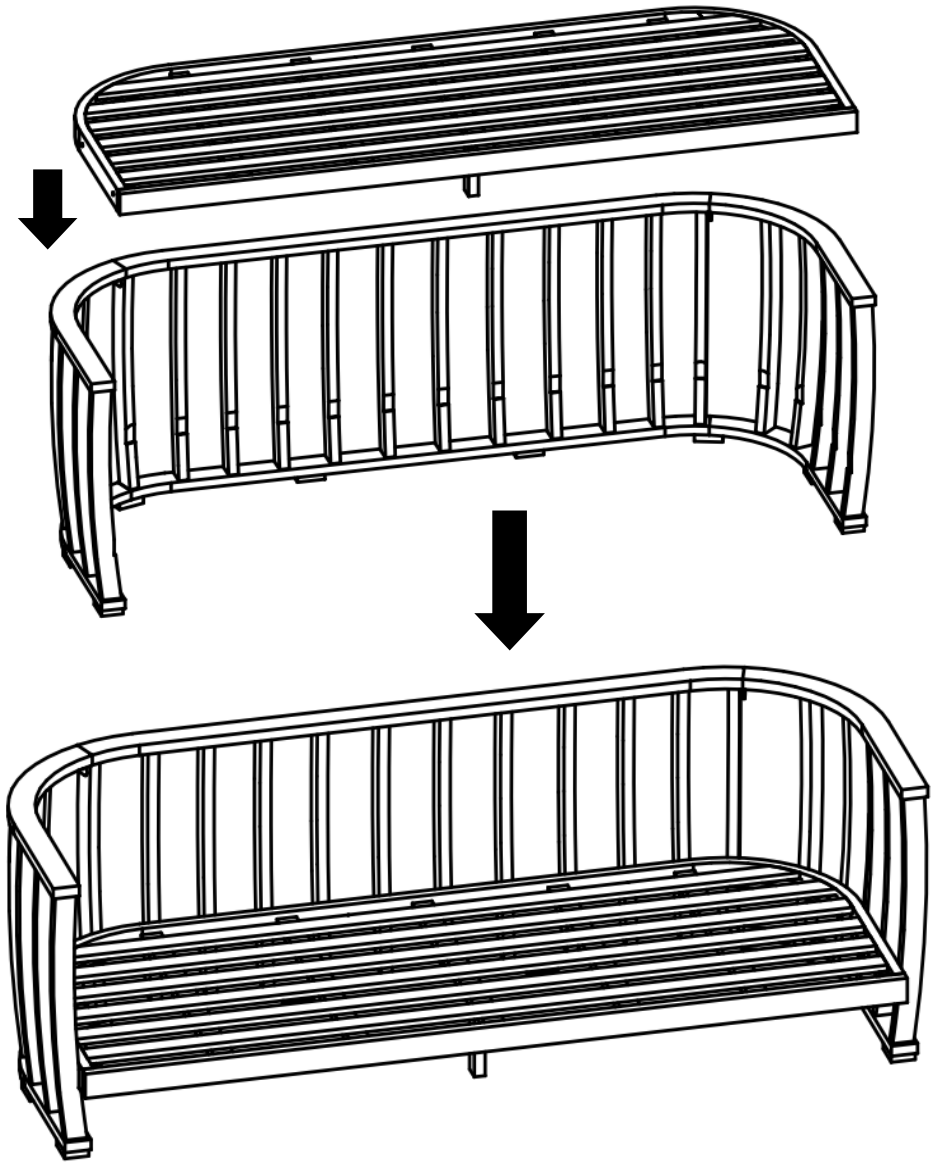
Using Bolt(K), Sleeve Nut(O) and Allen Wrench(N) to tighten the assembled part in Step 2.
Note : only eighteen 80%.

③



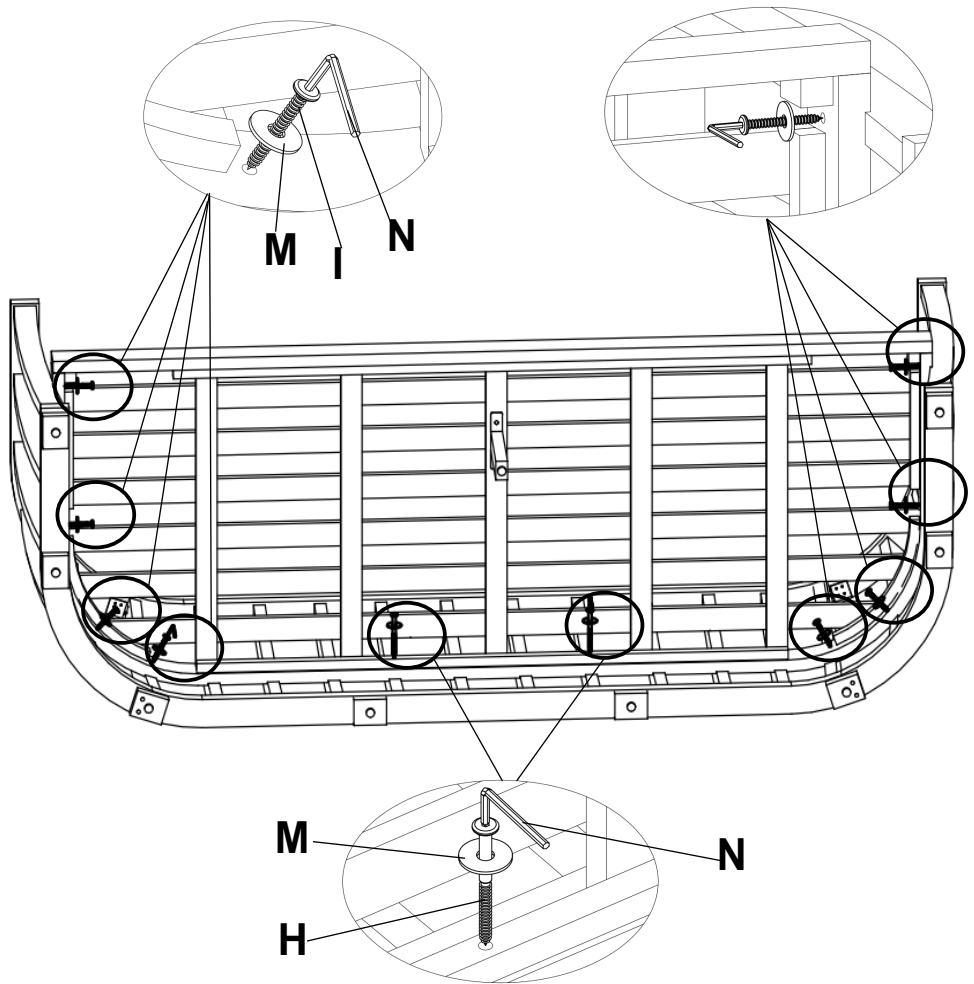
With the help of your adult partner, place the Seat Panel (B) with its underside skywards onto a clean, soft surface to avoid any scratch or damage to the product.
Attach the Support Leg (E) to the Seat Panel (B) by using Screws (J) and Allen Wrench (N) as shown above.

④



With the assistance from your partner, turn the right side of the assembled part in Step 3 up, place the Seat Panel(B) onto it as shown above.

5



With assistance from your partner, lay assembled part in Step 4 down as shown above. Position the Seat Panel(B) at frame using Screw(H), Screw(I), Washer(M) and Allen Wrench(N).
Note : only eighteen 80%.

⑥

