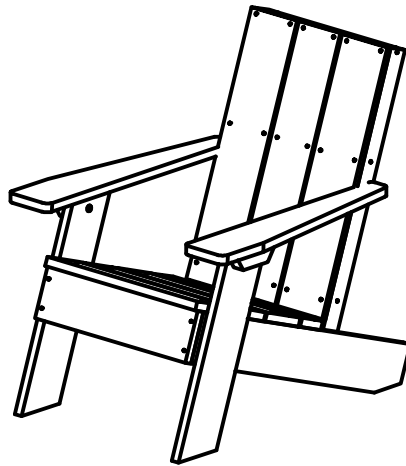


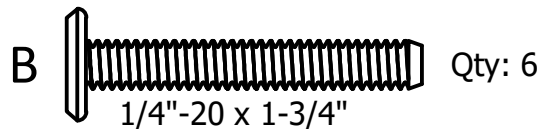
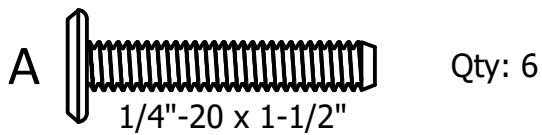
Modern Adirondack Chair

Assembly Guide

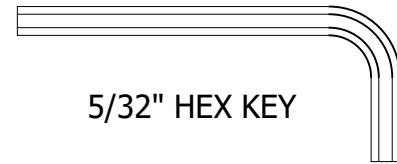


*Actual Style May Vary from the One Pictured in this Guide

HARDWARE INCLUDED



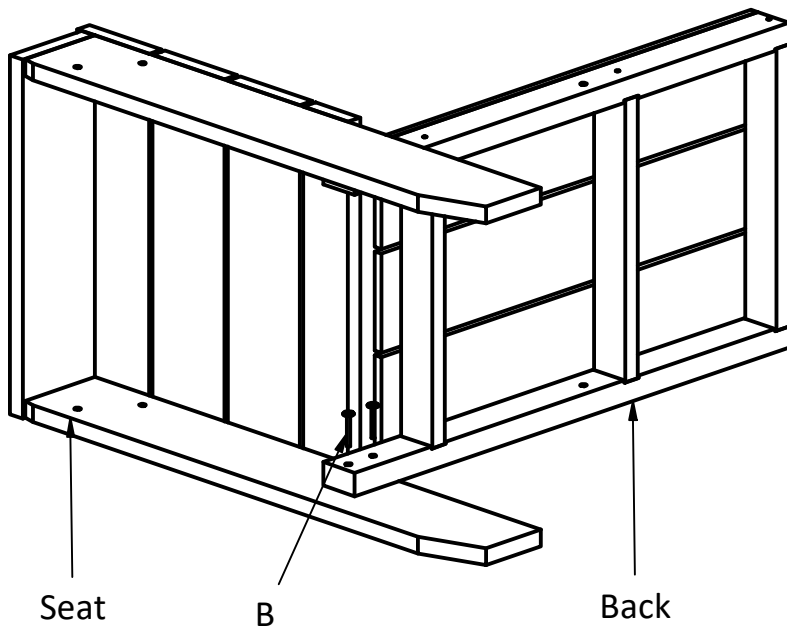
TOOLS INCLUDED



5/32" HEX KEY

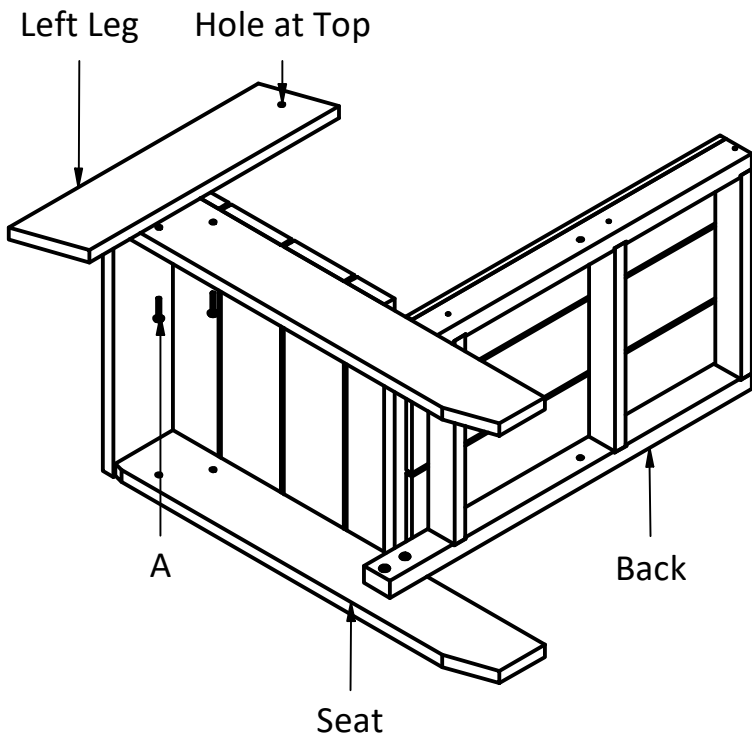
IMPORTANT!

DO NOT fully tighten bolts until all bolts are started.

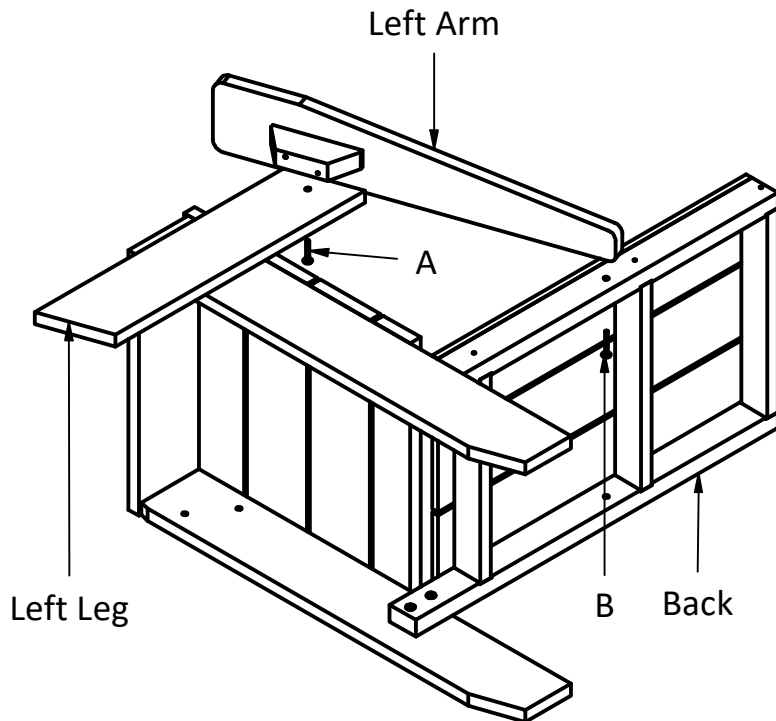


1) With the Back and Seat on their sides, attach one side of the Back to the Seat using two B bolts.

Repeat on other side.



2) With the Back and Seat on their sides, attach Left Leg as shown to Seat using two A bolts.



3) With the chair still on it's side, attach Left Arm to Back using one B bolt as shown. Attach Left Arm to Left Leg using one A bolt as shown.

Flip the chair over and Repeat Steps 2 and 3 on the other side.