

INSTALLATION

Product Manual

Version: 150318US-01-26A-PF



IMPORTANT INFORMATION!

please read the entire manual before starting to assemble and/or using this product. follow the manual thoroughly and keep it for further reference.



AVOID SCRATCHES!

In order to avoid scratching this furniture should be assembled on a soft layer- could be a rug.



IMPROVE EFFICIENCY !

Try to find a partner to install with you, which can speed up the installation efficiency and shorten the time.



ANTI-TOPPLE WARNING !

Overturnd furniture can cause serious or fatal crush injuries. To prevent tipping over, be sure to use the wall attachment, if not included with this product. Please purchase the wall attachment that fit your wall. If unsure, seek professional advice. Please read and follow each step of the instructions carefully.

IMPORTANT !

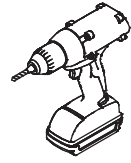
It is important that any product which is assembled using any kind of screw is re-tightened 2 weeks after assembly, and once every 3 months - in order to assure stability through-out the lifespan of the product.

For regular maintenance and cleaning of the product, for the frame, please use a rag dipped in neutral detergent to fully wipe it, and then dry it with a clean rag. For glass materials, wipe with a rag dampened with water glass cleaner, and then dry with a dry rag.

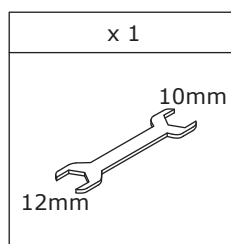
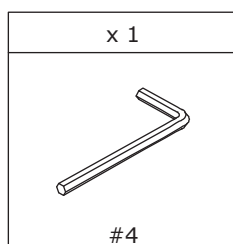
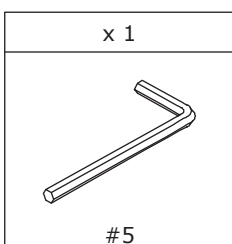
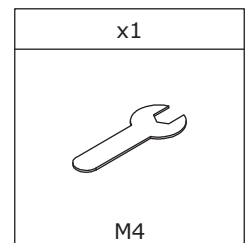
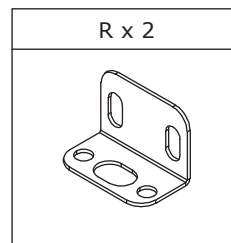
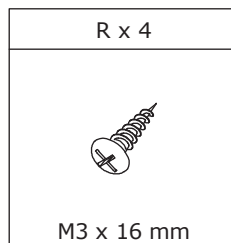
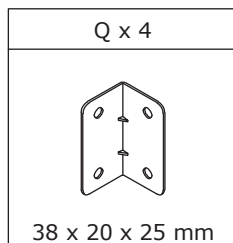
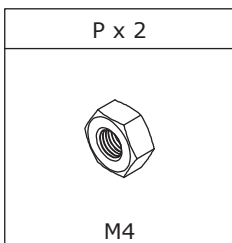
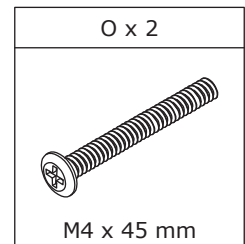
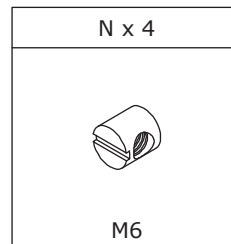
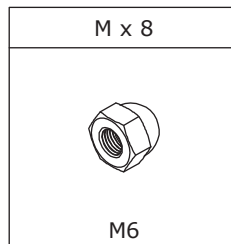
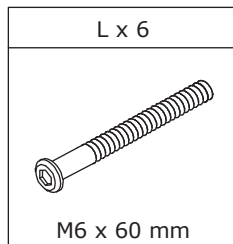
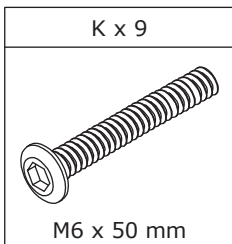
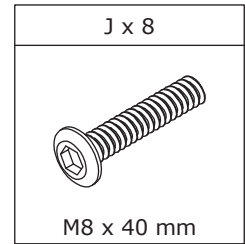
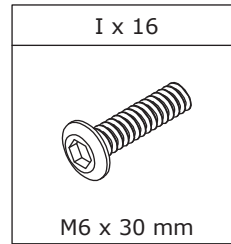
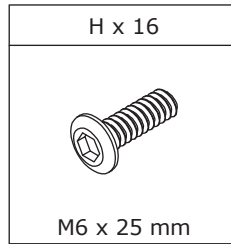
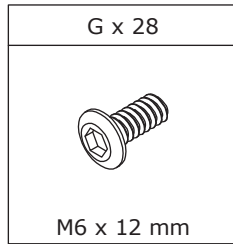
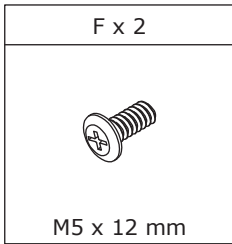
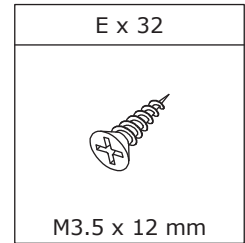
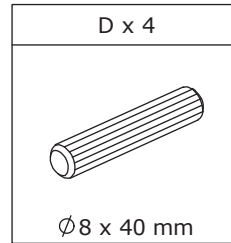
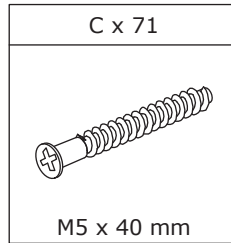
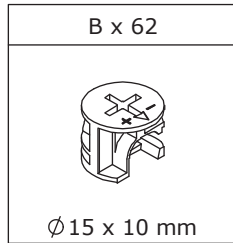
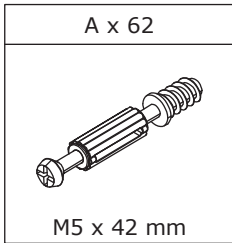
Do not use an electric screwdriver, and do not use too much force when installing, because the board is easy to break.

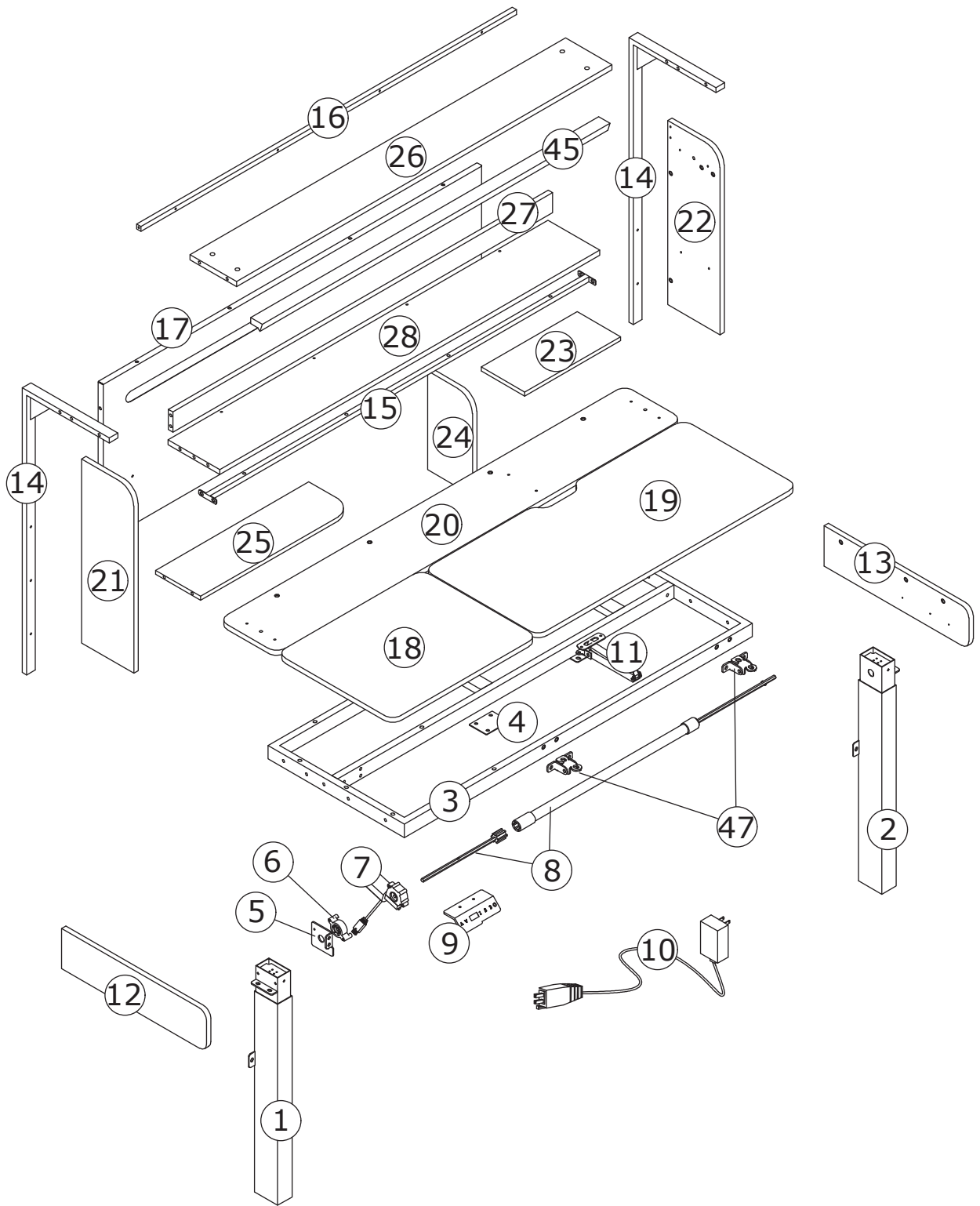


Please prepare the following tools



When installing, please carefully confirm whether each screw corresponds to the manual, accessories with similar shapes can be distinguished by size





⚠ WARNING

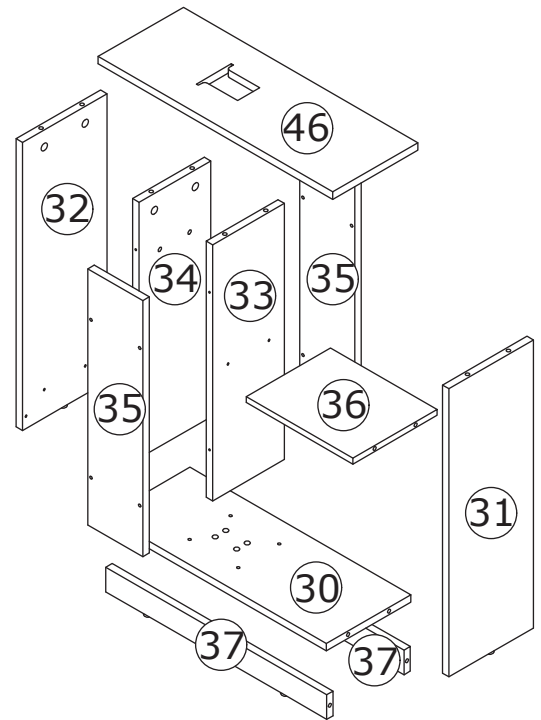
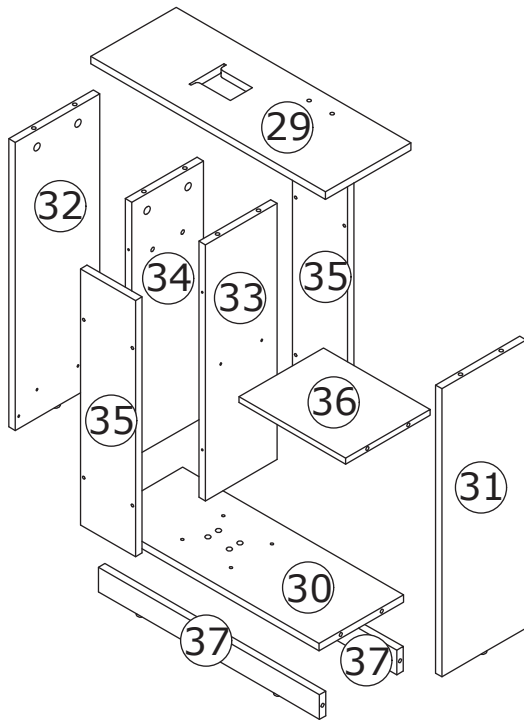
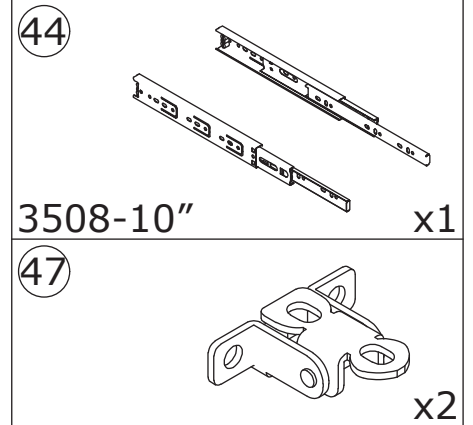
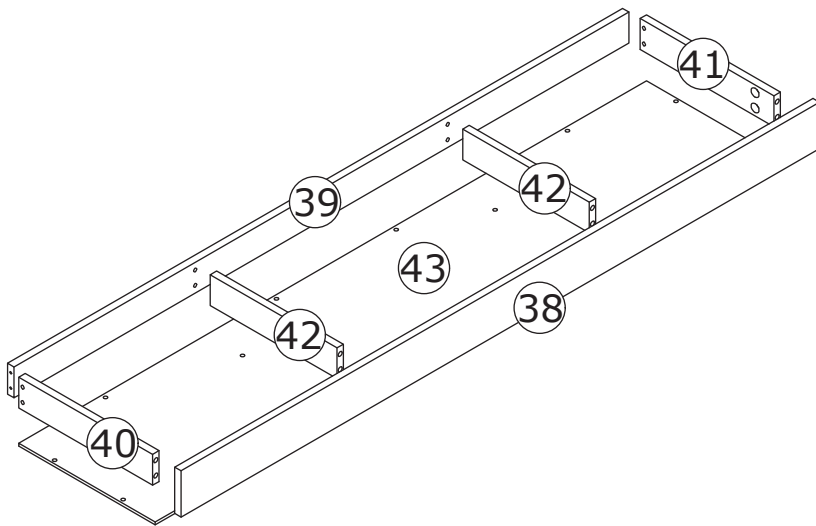


Children have died from furniture tipover. To reduce the risk of furniture tipover:

- ALWAYS install Anti-tip device provided.
- NEVER put a TV on this product.
- NEVER allow children to stand, climb or hang on drawers, doors, or shelves.
- NEVER open more than one drawer at a time.
- Place heaviest items in the lowest drawers.

*This is a permanent label.
Do not remove!*





⚠ WARNING

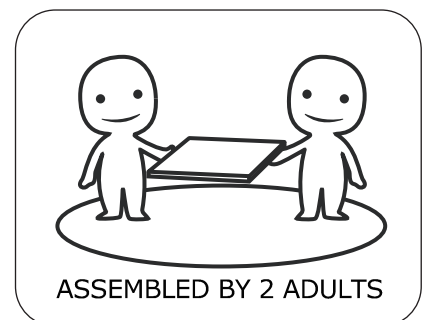


Children have died from furniture tipover. To reduce the risk of furniture tipover:

- ALWAYS install Anti-tip device provided.
- NEVER put a TV on this product.
- NEVER allow children to stand, climb or hang on drawers, doors, or shelves.
- NEVER open more than one drawer at a time.
- Place heaviest items in the lowest drawers.



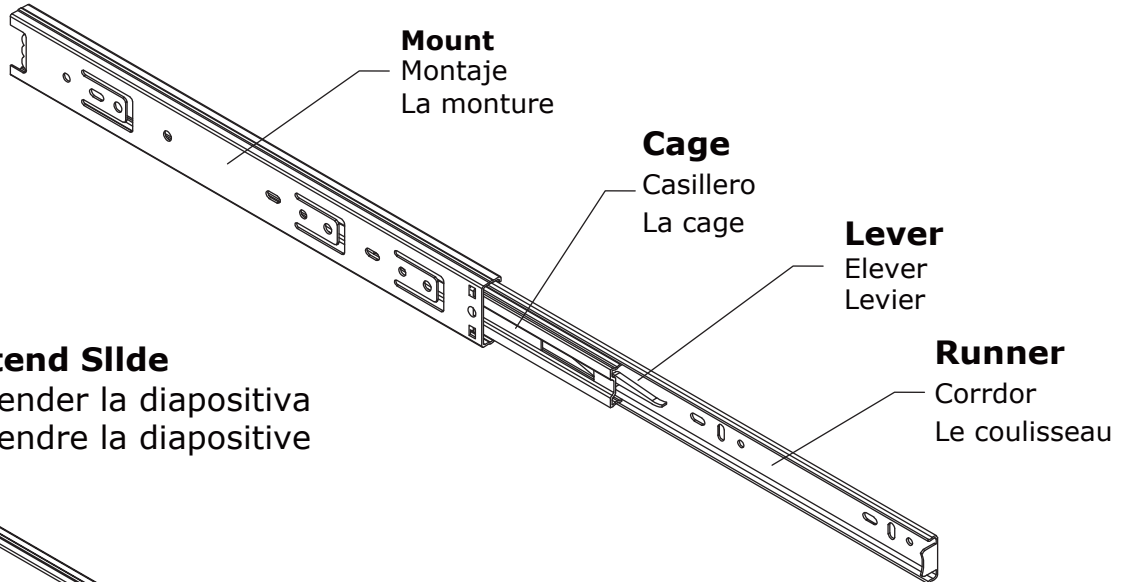
*This is a permanent label.
Do not remove!*



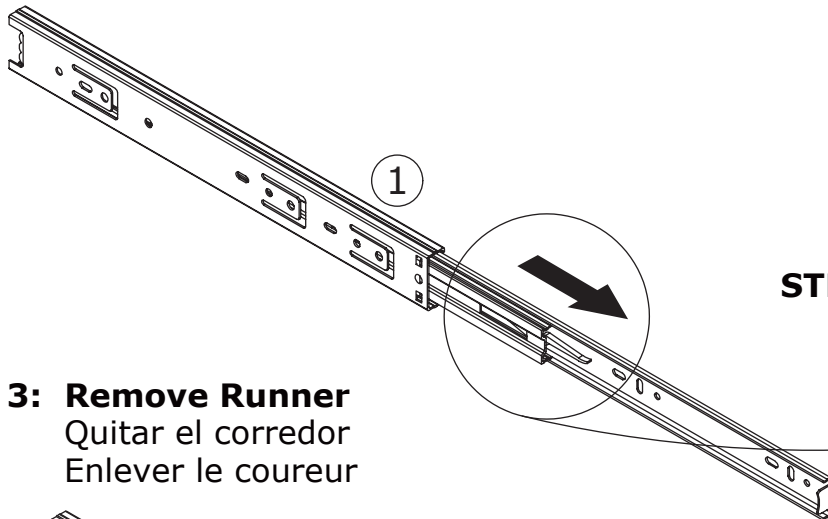
**Slides Must Be Separated Before Assembly.
After Separated, Set Aside Until Needed for Assembly.**

Las diapositivas deben separarse antes del montaje.
Después de la separación, déjelo a un lado hasta que sea necesario.

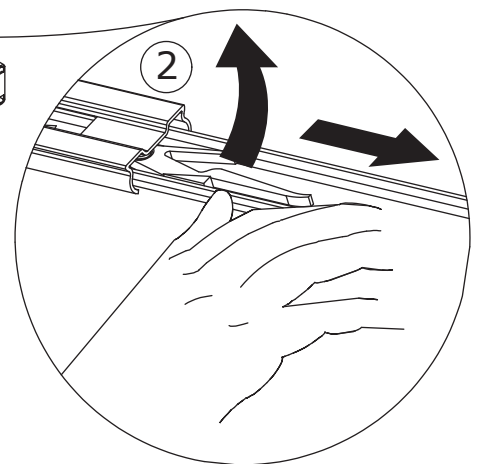
Les glissières doivent être séparées avant l'assemblage.
Après la séparation, mettez de côté jusqu'au moment de l'assemblage.



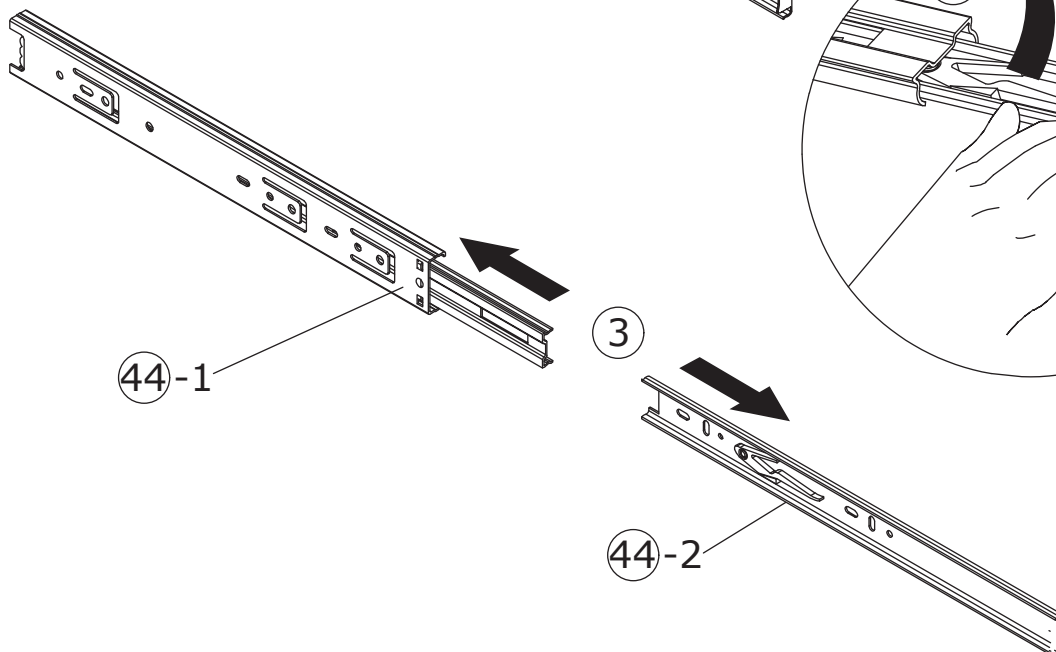
STEP 1: Extend Slide
Extender la diapositiva
Extendre la diapositive



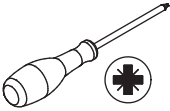
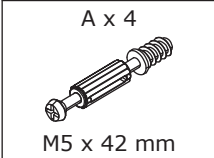
STEP 2: Push Lever UP
Empujar hacia arriba
Lever le levier



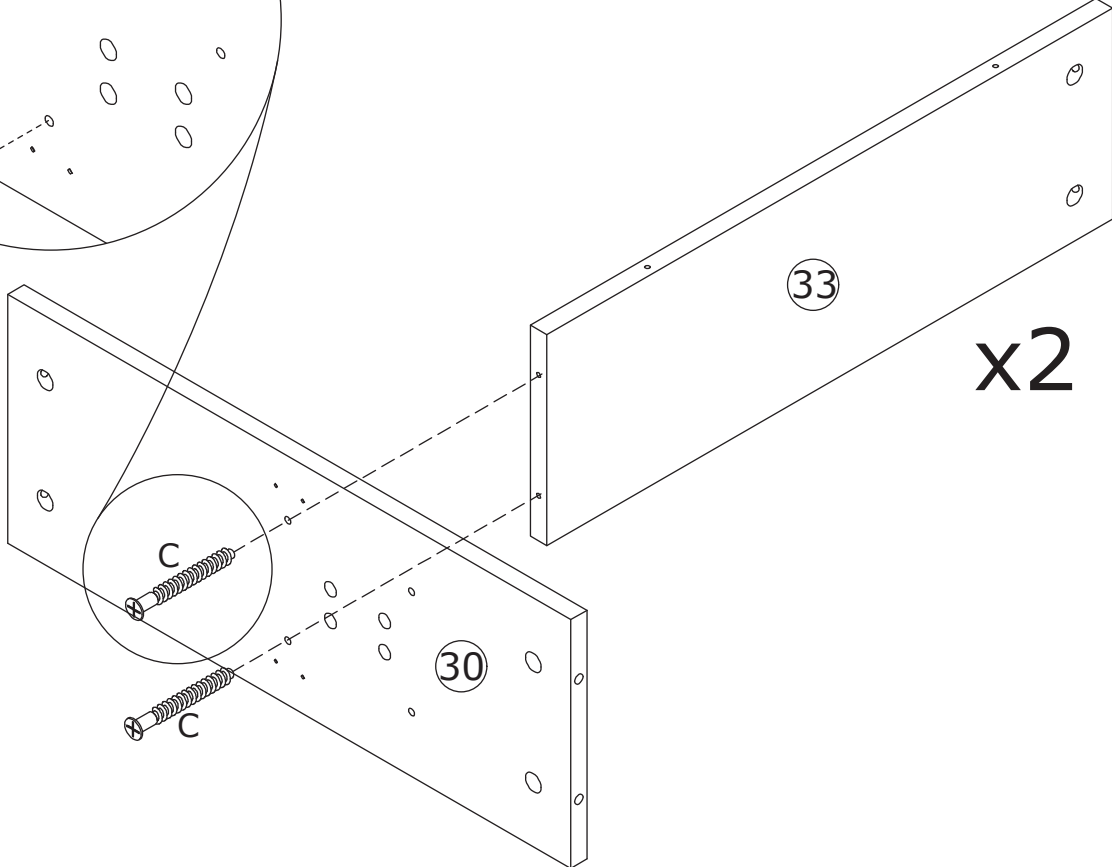
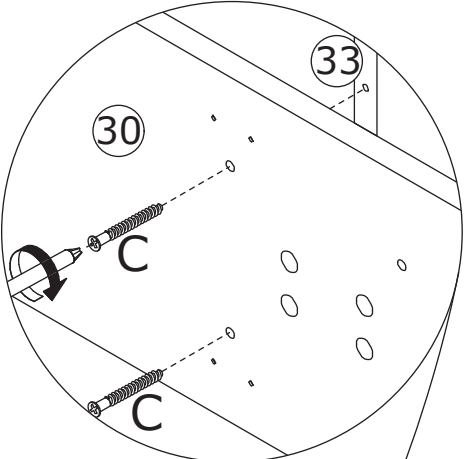
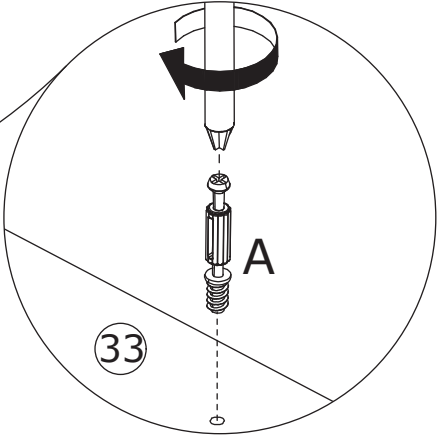
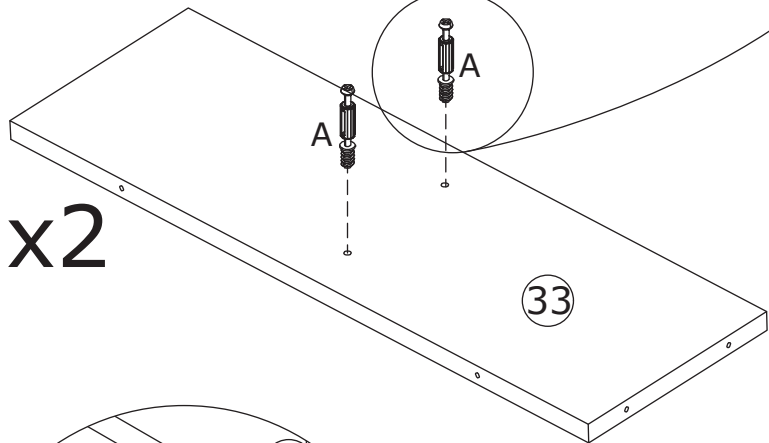
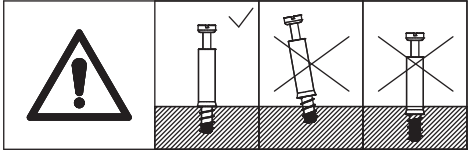
STEP 3: Remove Runner
Quitar el corredor
Enlever le coureur



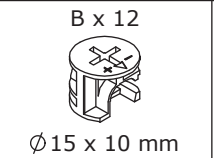
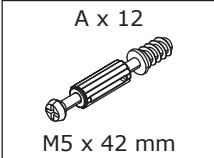
1



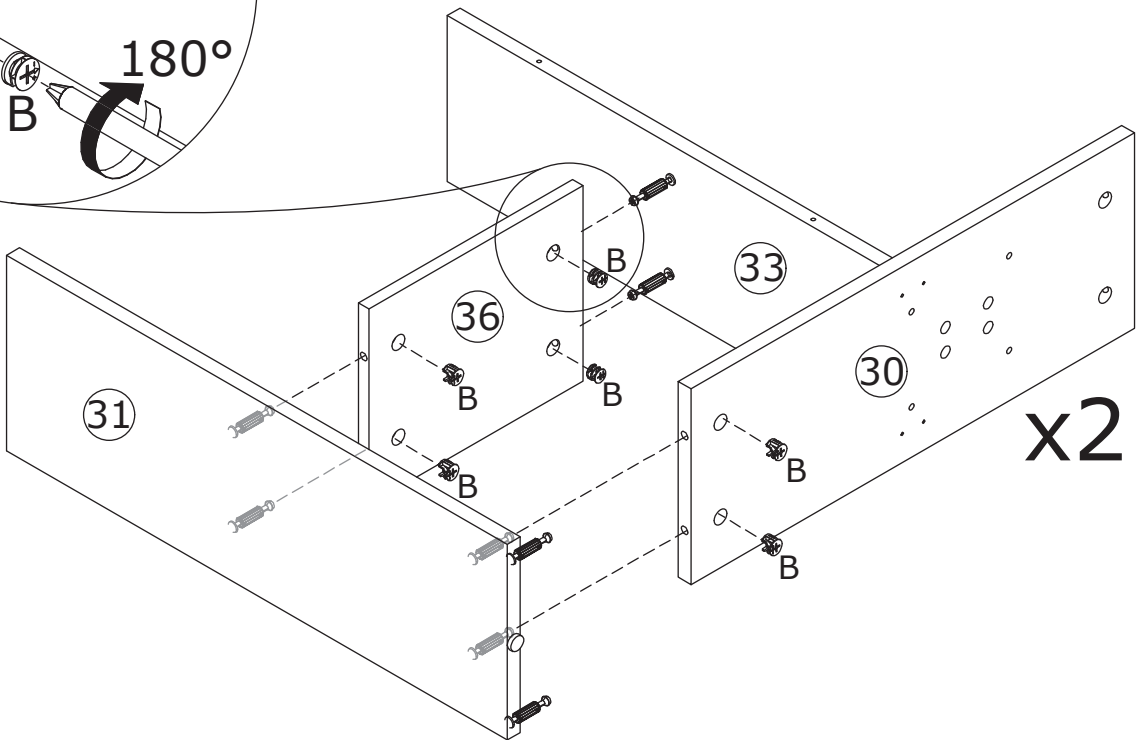
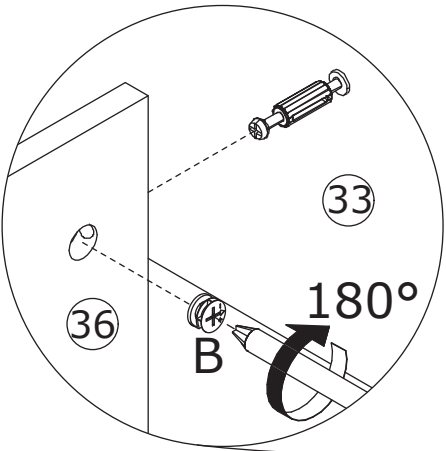
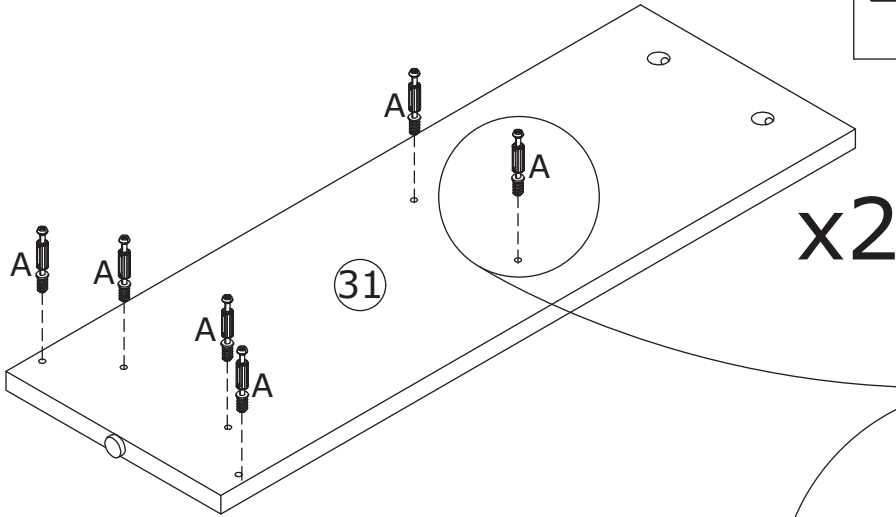
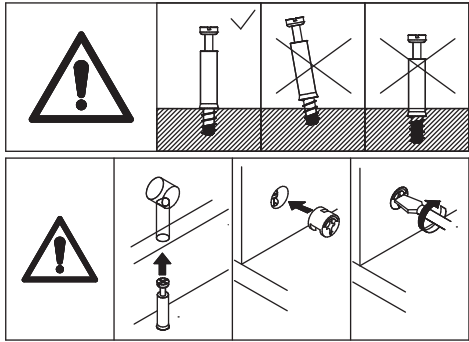
Screw eccentric (A) onto Part 33, then connect Part 30 to Part 33 using screw (C).



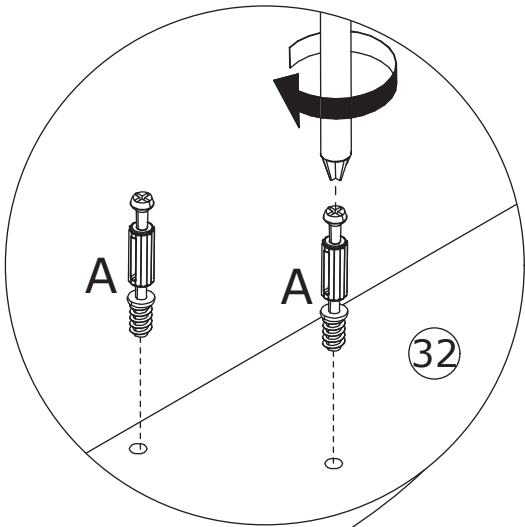
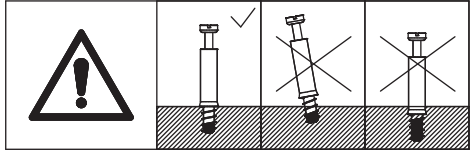
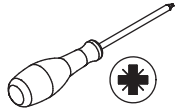
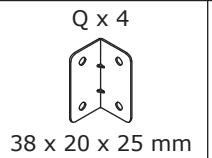
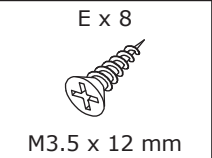
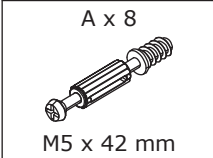
2



Screw eccentric (A) onto Part 31.
Connect Part 36 to Part 31 and 33, then
tighten by rotating cam lock (B) clockwise.



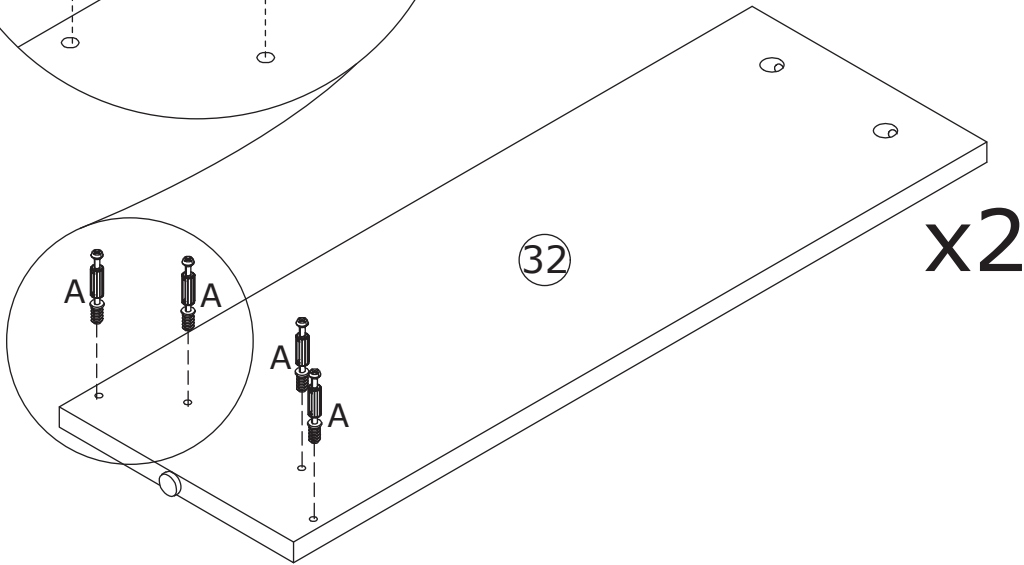
3



A

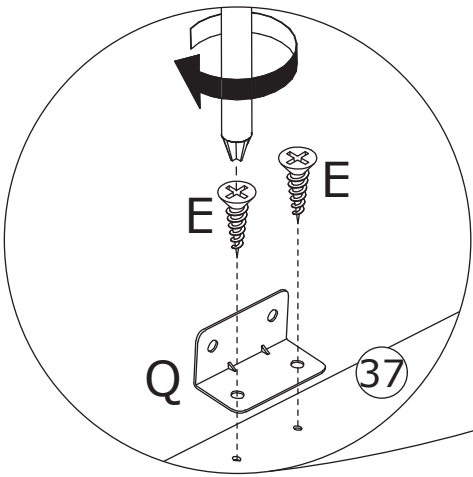
A

32



32

x2

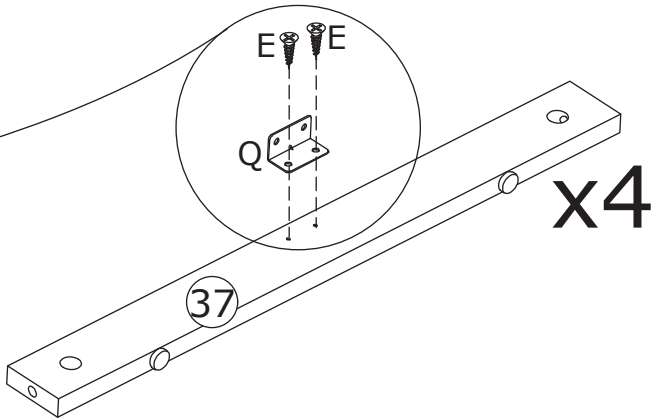


E

E

Q

37



E

E

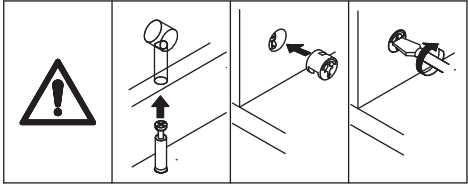
Q

x4

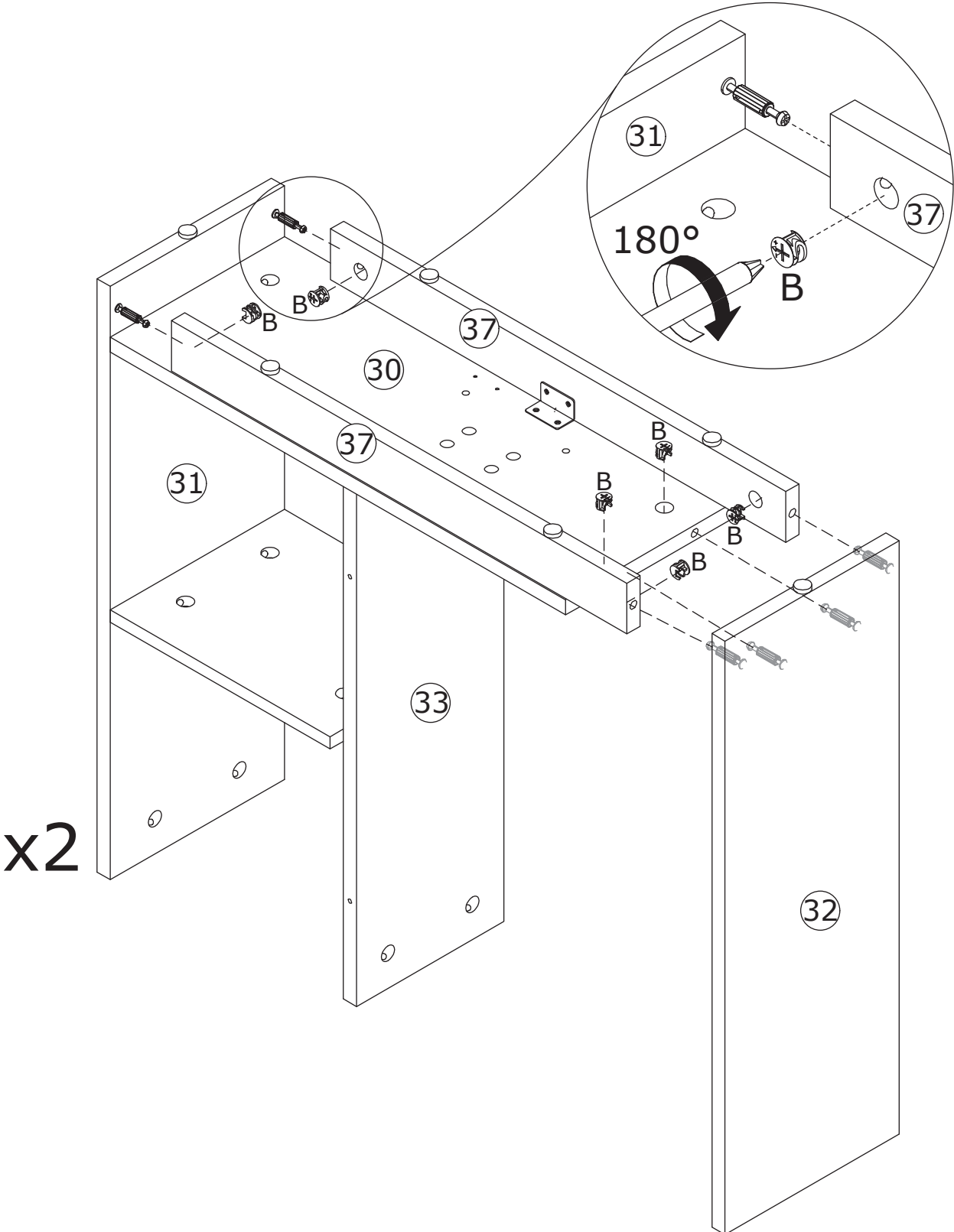
Screw eccentric (A) onto Part 32.
Secure bracket (Q) to Part 37
using screw (E).

4

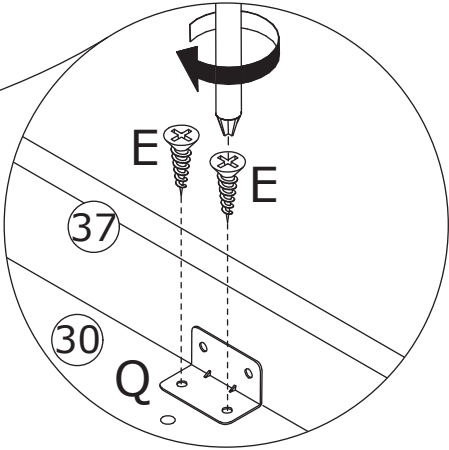
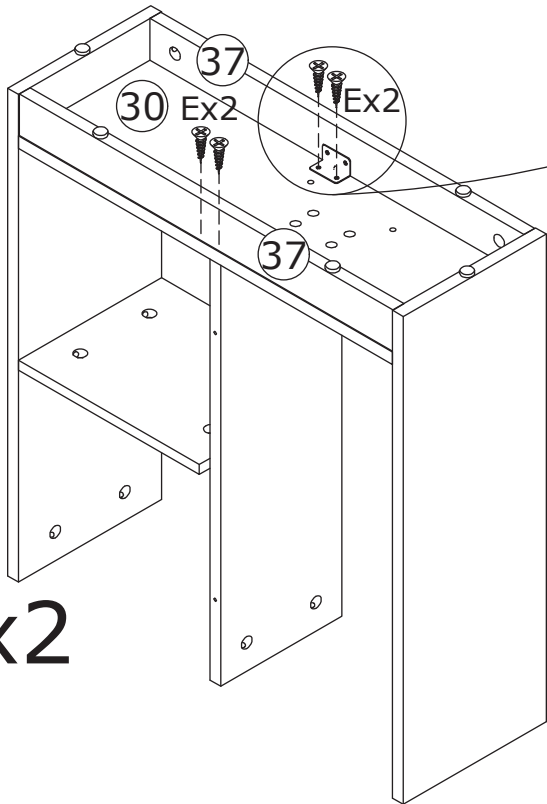
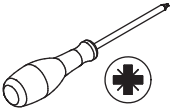
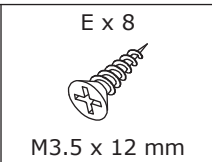
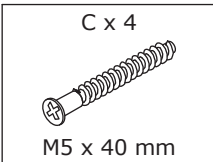
B x 12
Ø15 x 10 mm



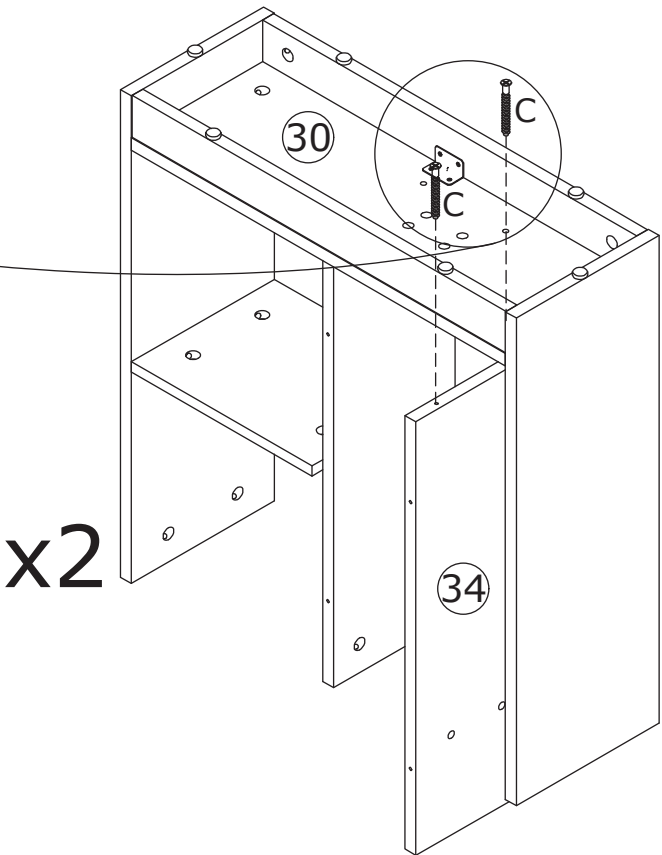
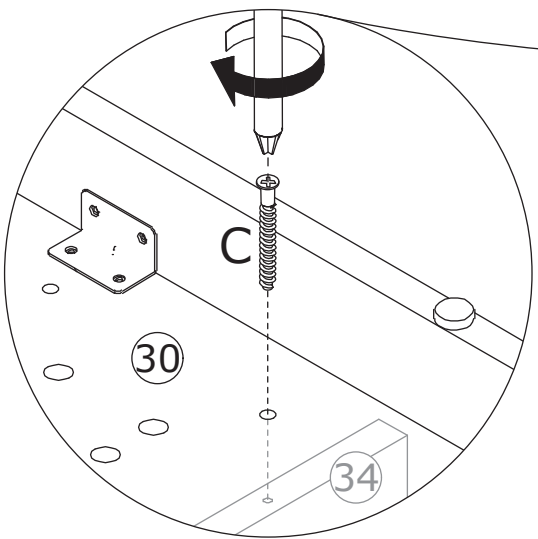
Connect Part 37 to Part 31 and 32, then tighten by rotating cam lock (B) clockwise.



5

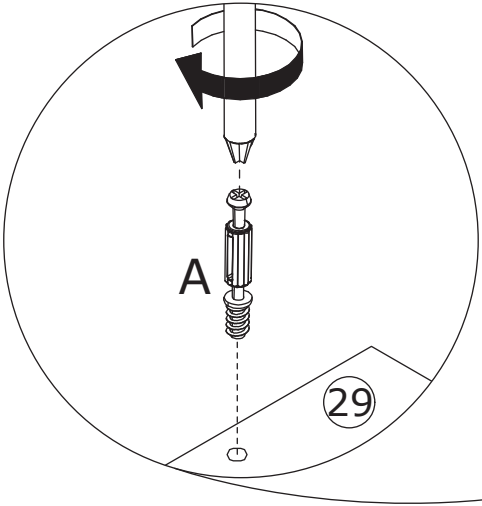
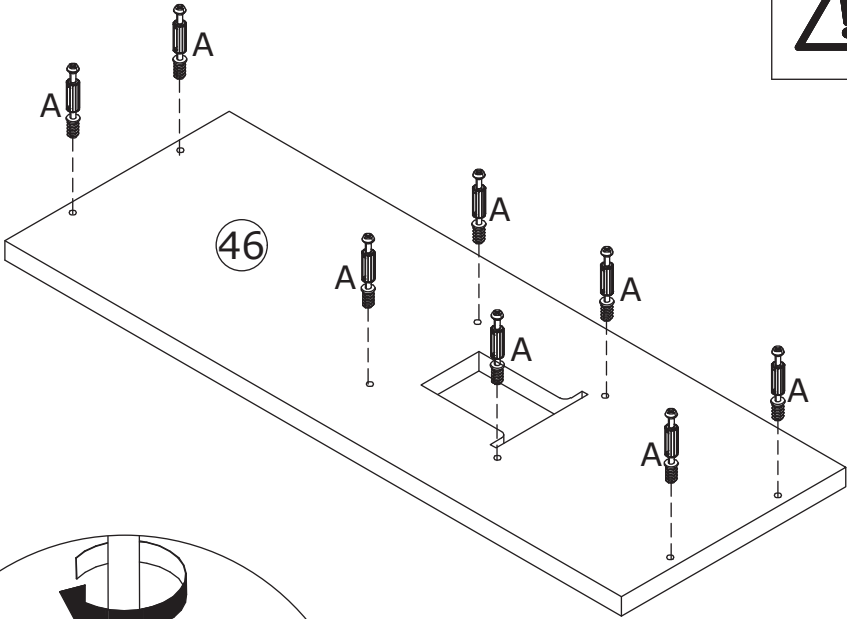
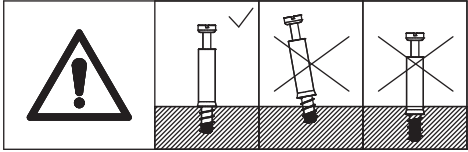


Secure bracket (Q) to Part 30 using screw (E).
Secure Part 34 to Part 30 using screw (C).

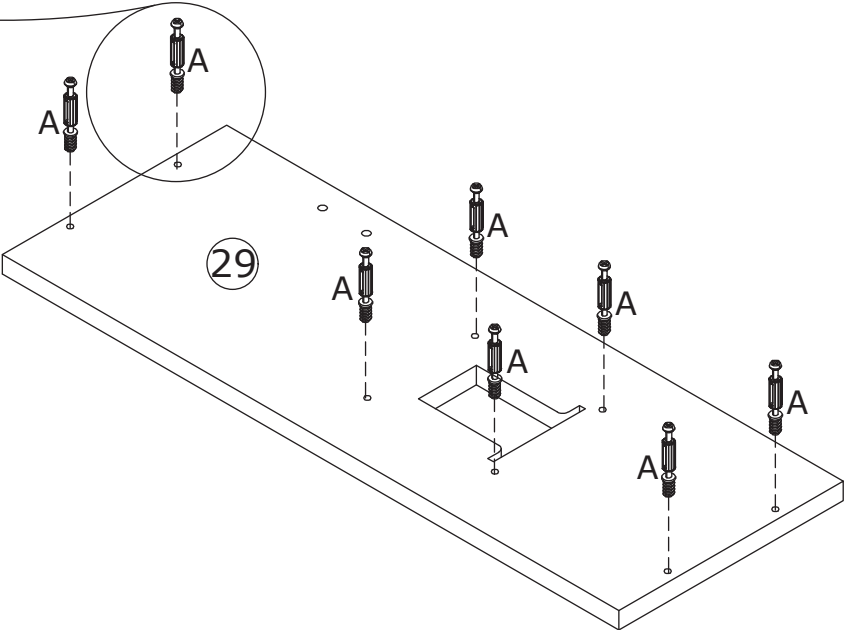


6

A x 16
M5 x 42 mm

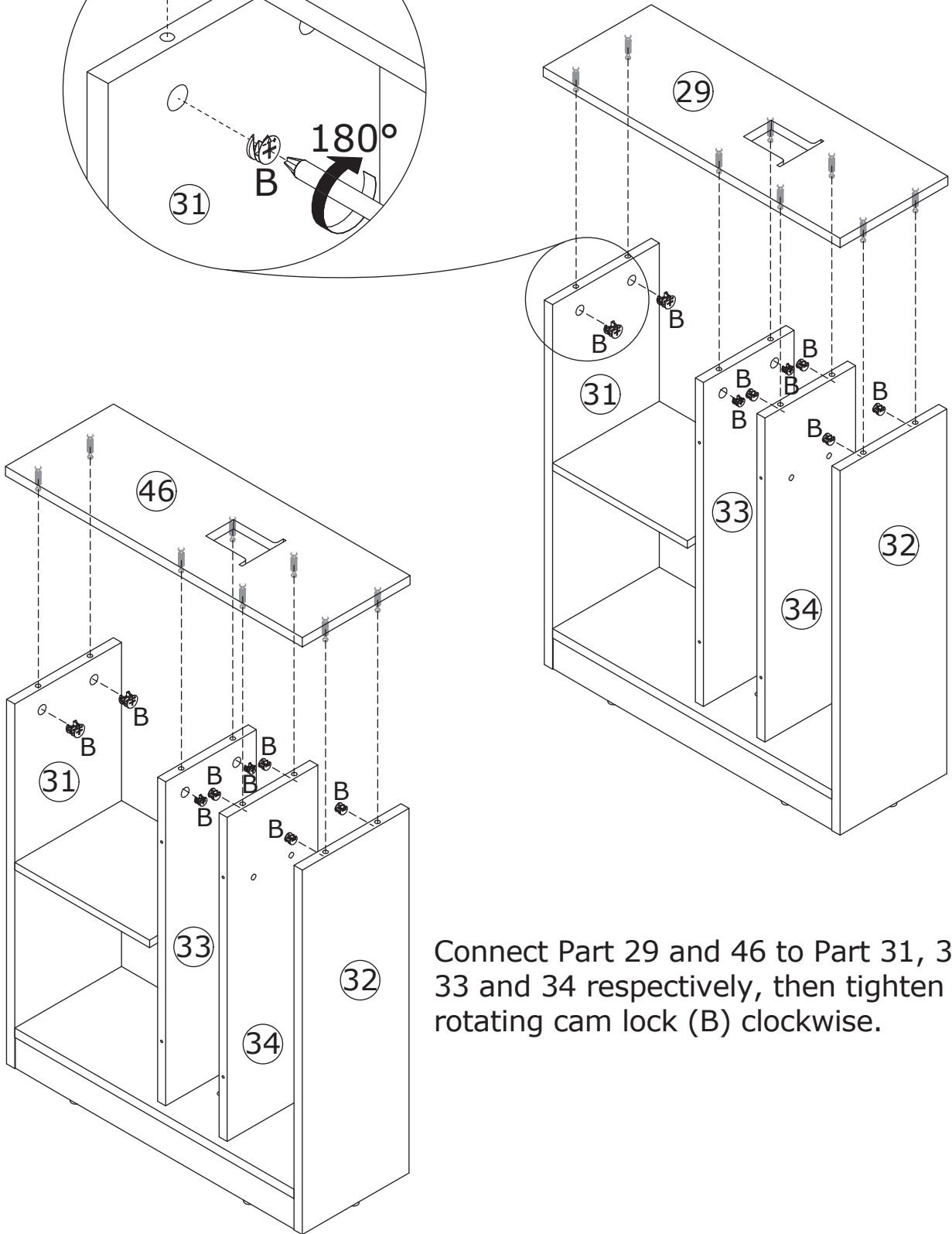
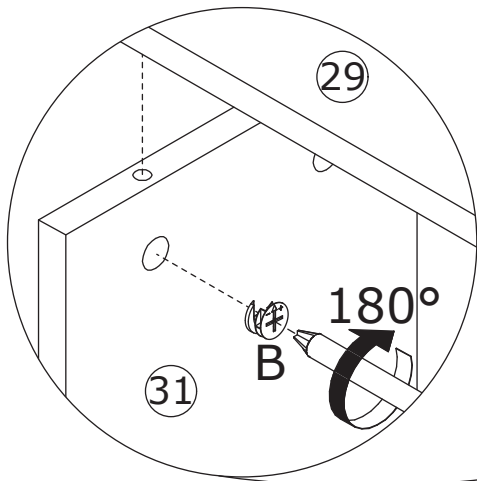
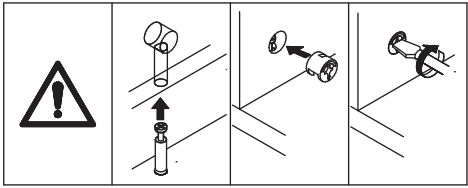


Screw eccentric (A) onto Part 46 and 29.



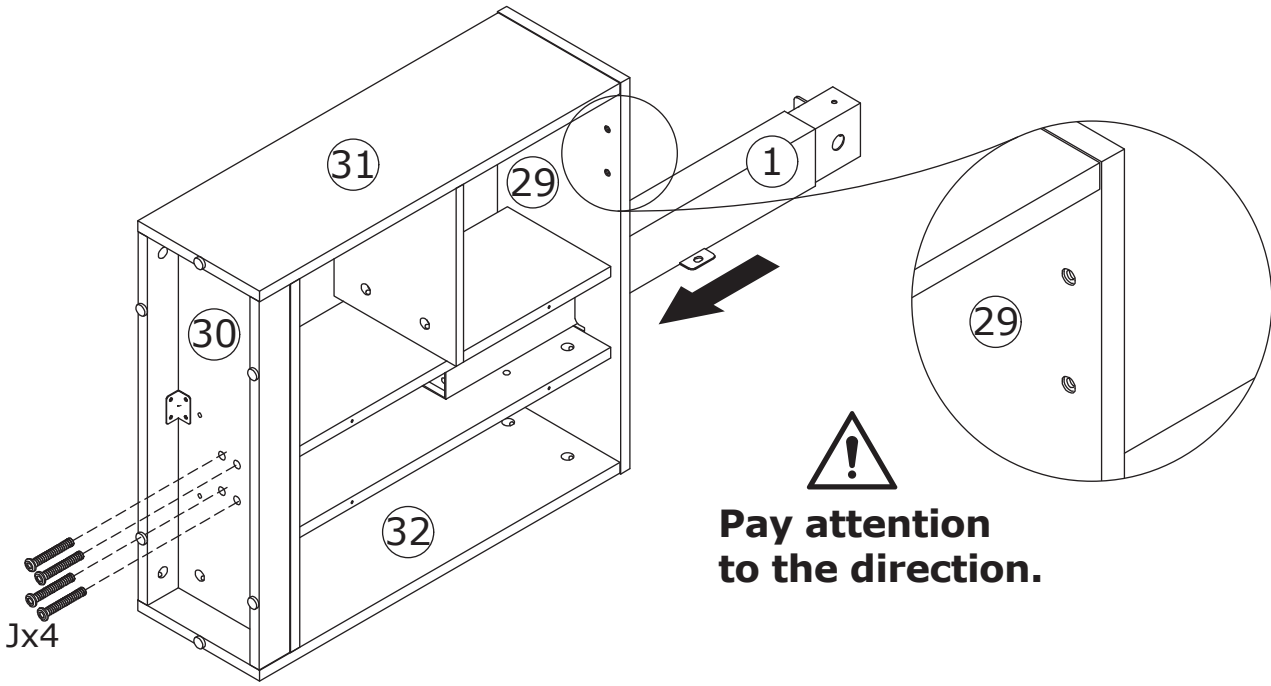
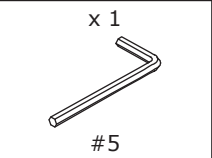
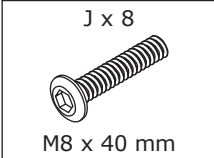
7

B x 16
Ø 15 x 10 mm

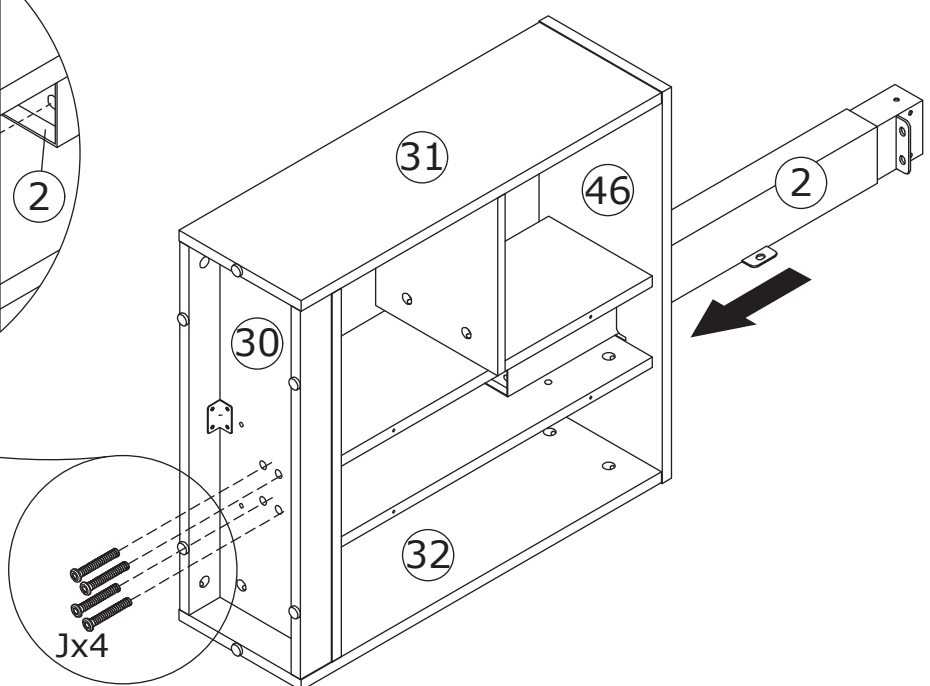
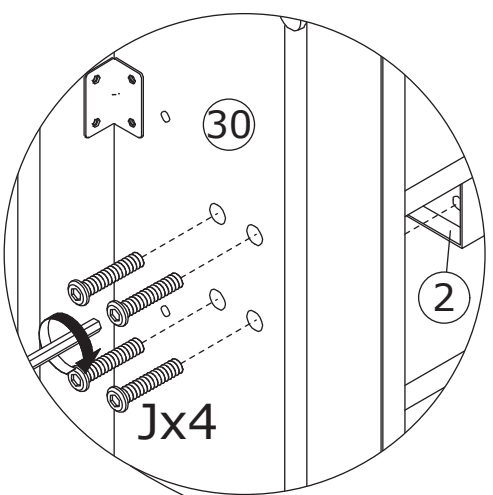


Connect Part 29 and 46 to Part 31, 32, 33 and 34 respectively, then tighten by rotating cam lock (B) clockwise.



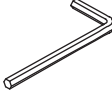
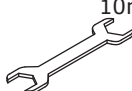
8

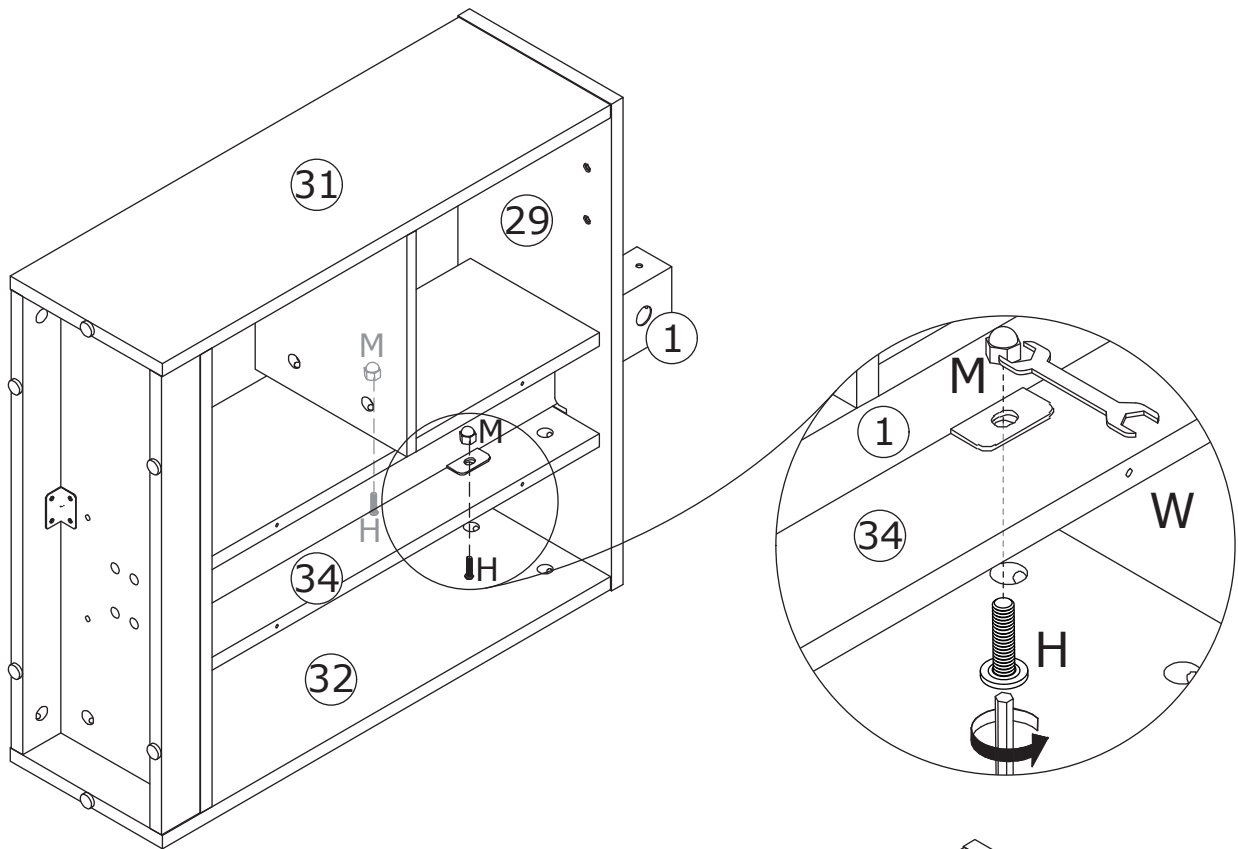


Insert Part 1 into Part 29, and secure it to Part 30 using screw (J).
Insert Part 2 into Part 46, and secure it to Part 30 using screw (J).

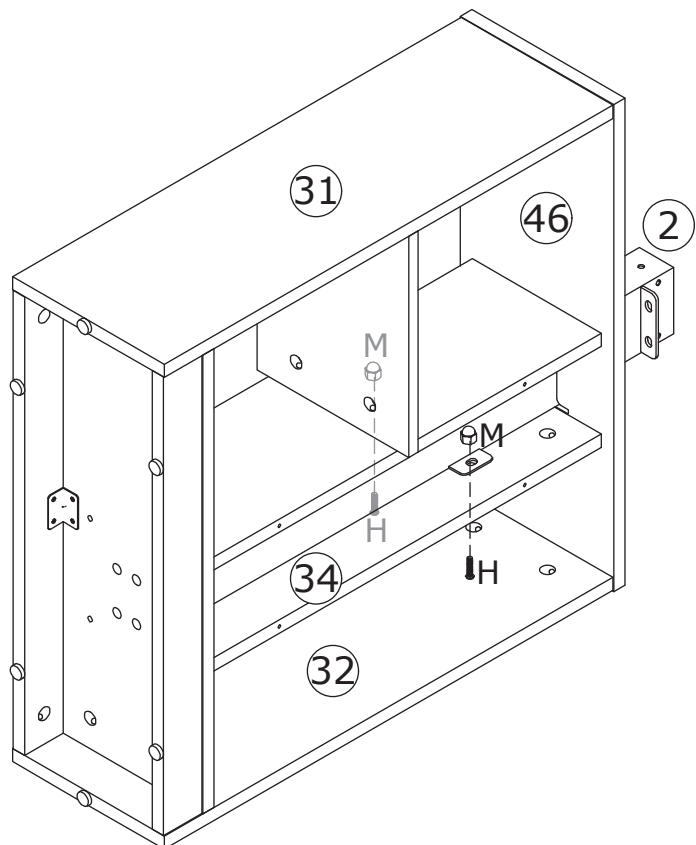


9

<p>H x 4 M6 x 25 mm</p> 	<p>M x 4 M6</p> 	<p>x 1 #4</p> 	<p>x 1 10mm 12mm</p> 	
---	---	---	---	--

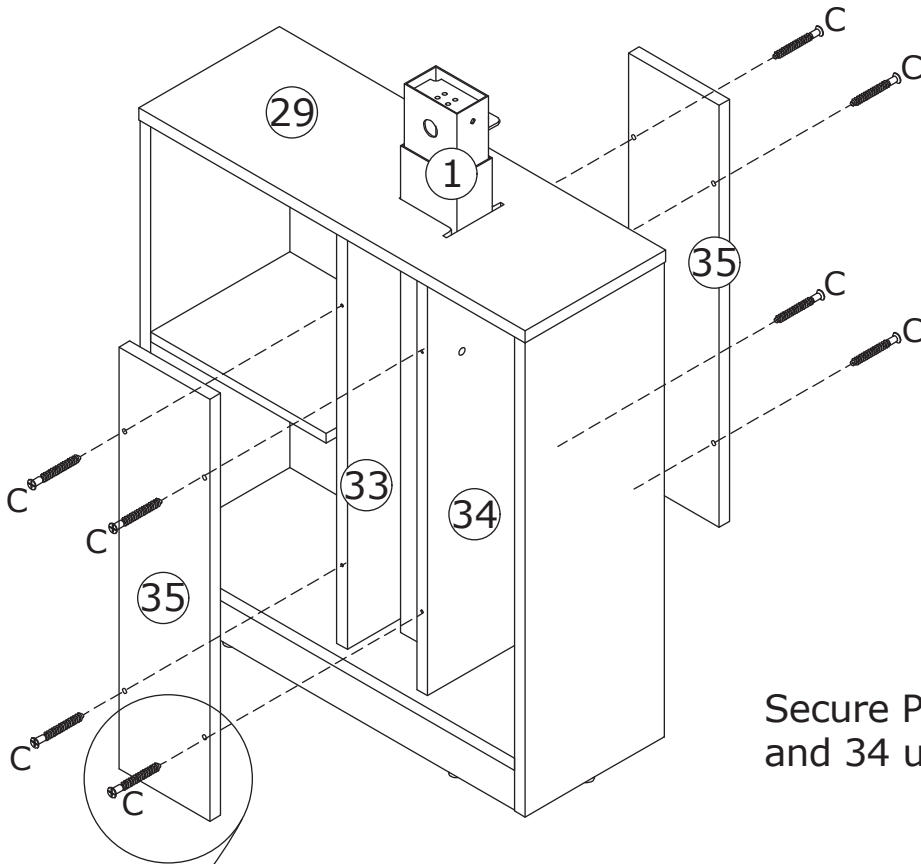


Secure Part 1 to Part 34 using screw (H) and nut (M).
Secure Part 2 to Part 34 using screw (H) and nut (M).

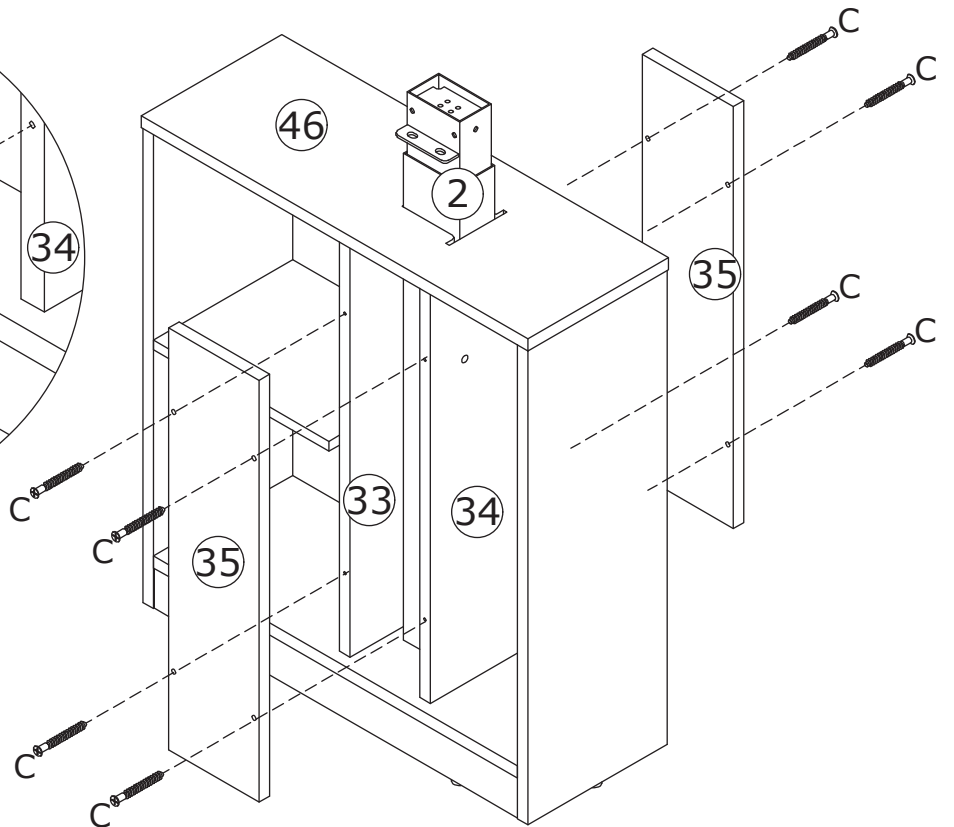
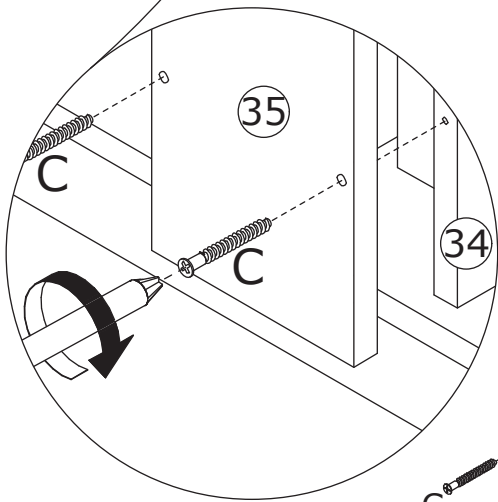


10

C x 16
M5 x 40 mm

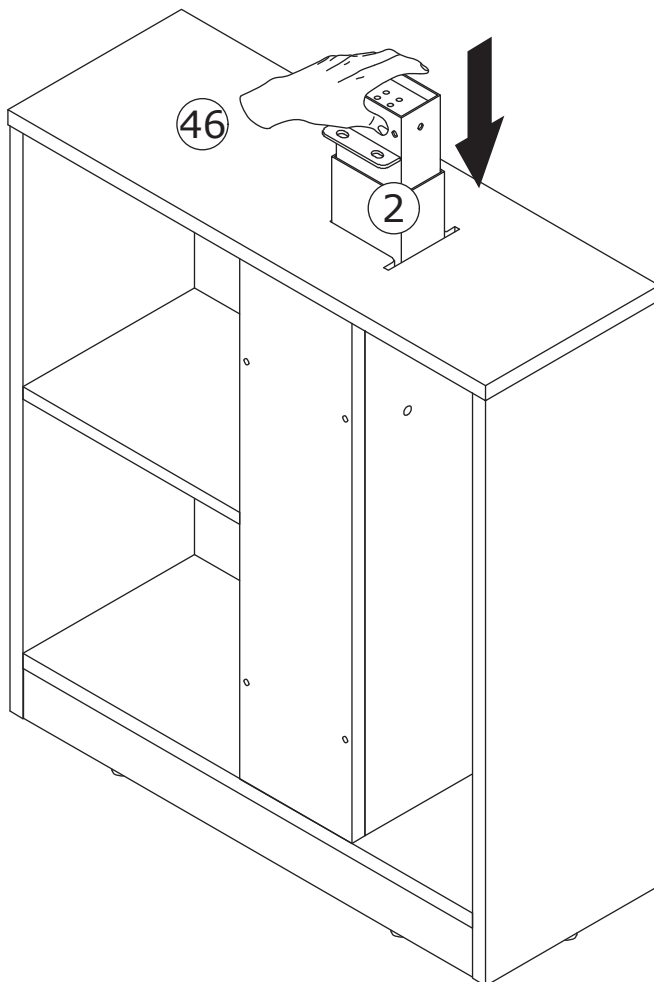
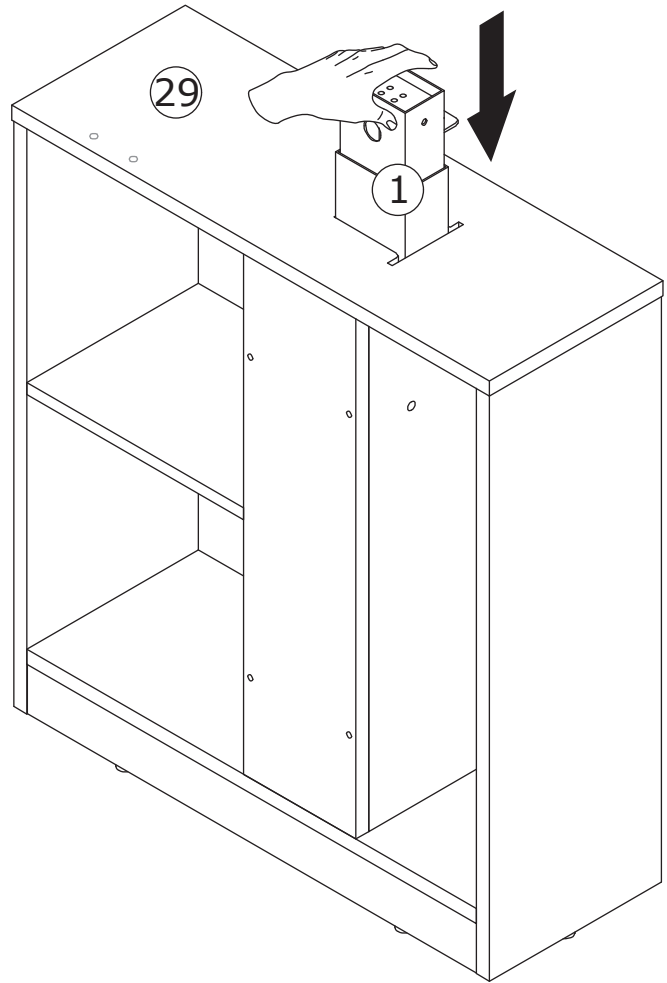


Secure Part 35 to Part 33 and 34 using screw (C).

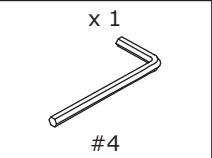


11

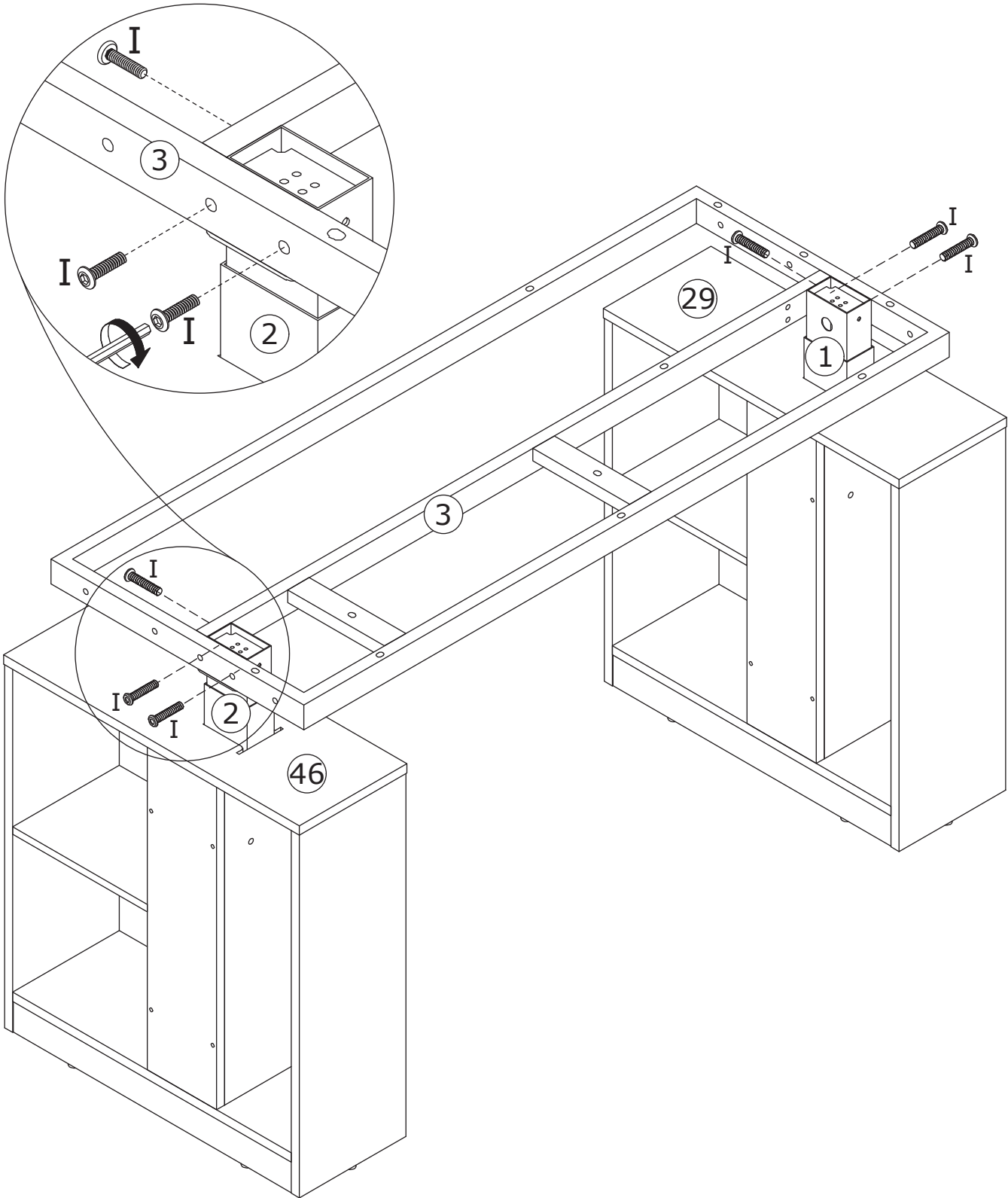
Press both legs to the lowest position while making sure their heights remain the same.






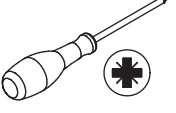
12

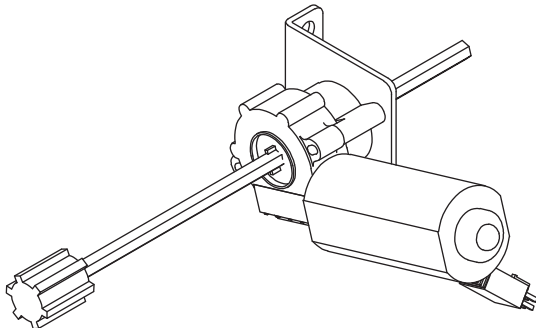


Secure Part 3 to Part 1 and 2 using screw (I).

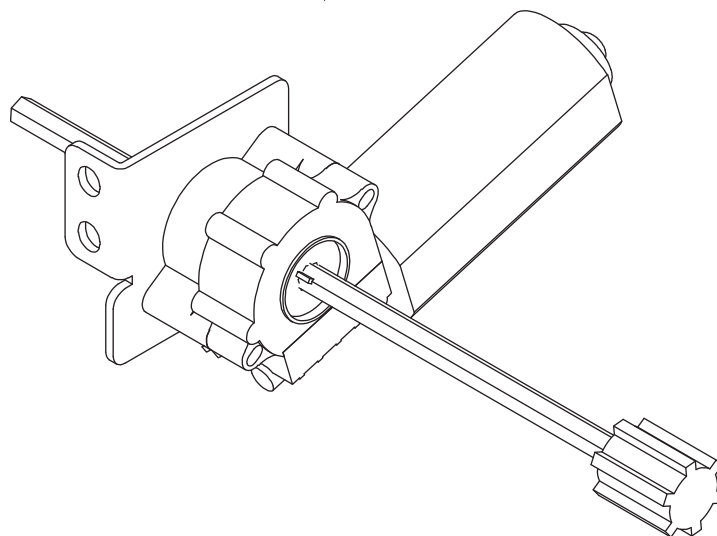
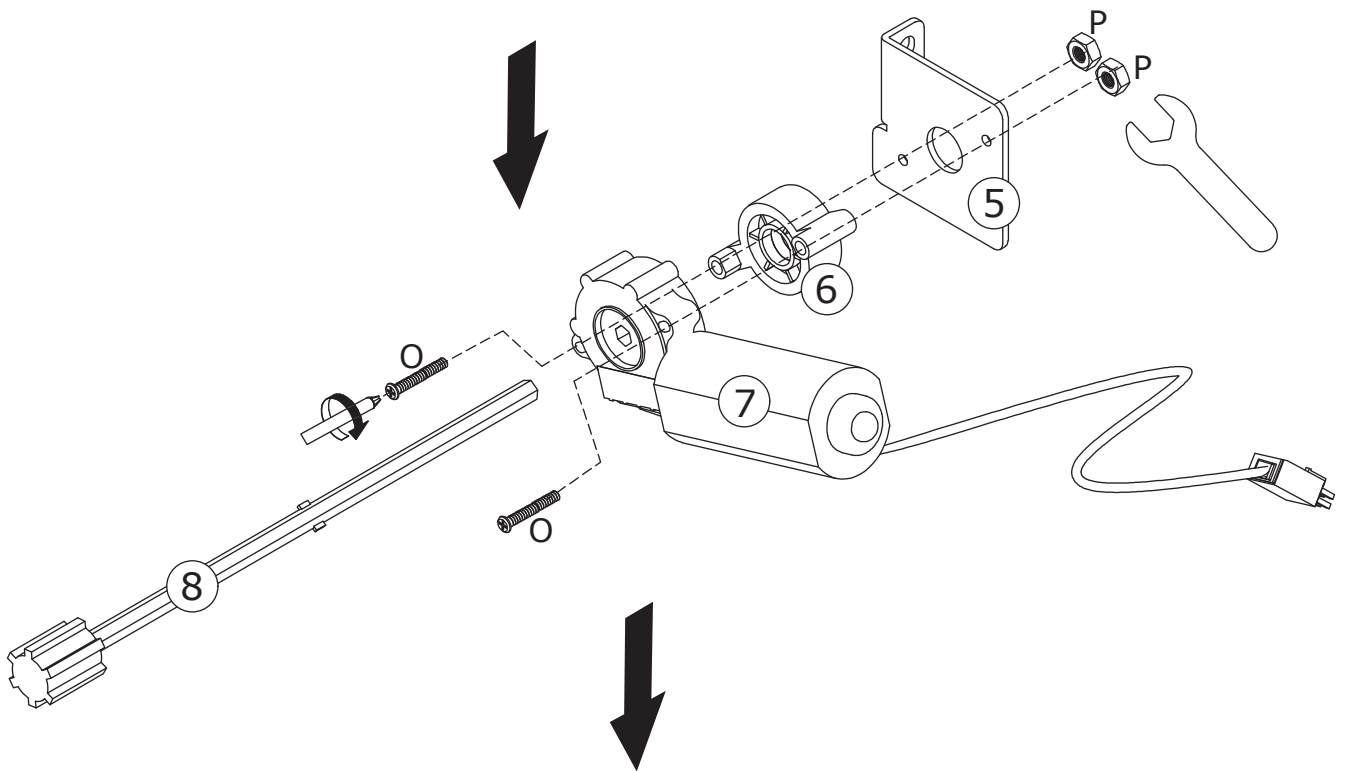


13

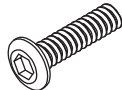

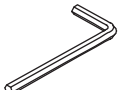
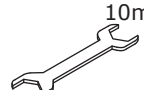
<p>O x 2 M4 x 45 mm</p> 	<p>P x 2 M4</p> 	<p>x 1</p>  M4	
---	---	--	---

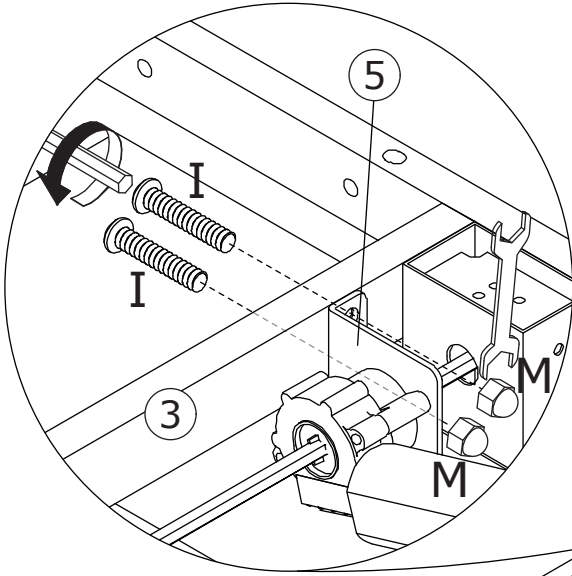


Insert Part 8 into holes of Part 7, 6 and 5 first.
Secure Part 7, 6 and 5 using screw (O) and nut (P).

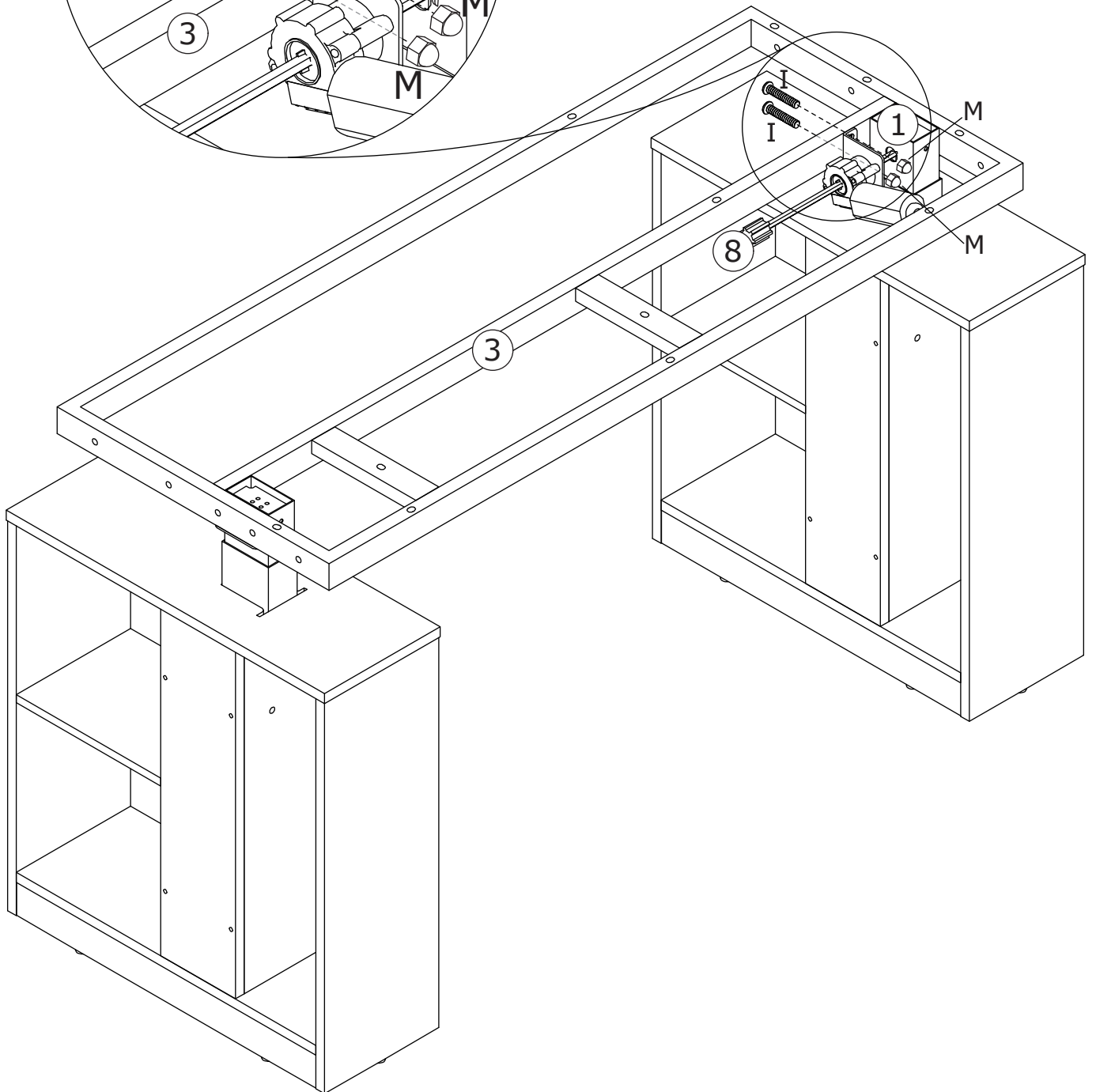


14

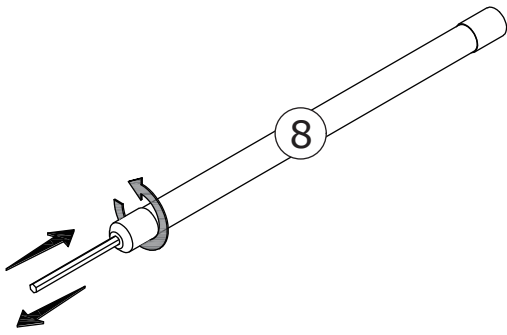
<p>I x 2 M6 x 30 mm</p> 	<p>M x 2 M6</p> 	<p>x 1 #4</p> 	<p>x 1 10mm 12mm</p> 	
---	---	---	---	--



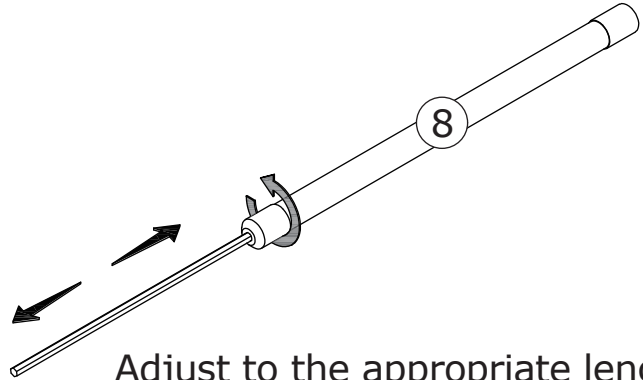
Insert Part 8 into Part 1, and secure Part 5 to Part 3 using screw (I) and nut (M).



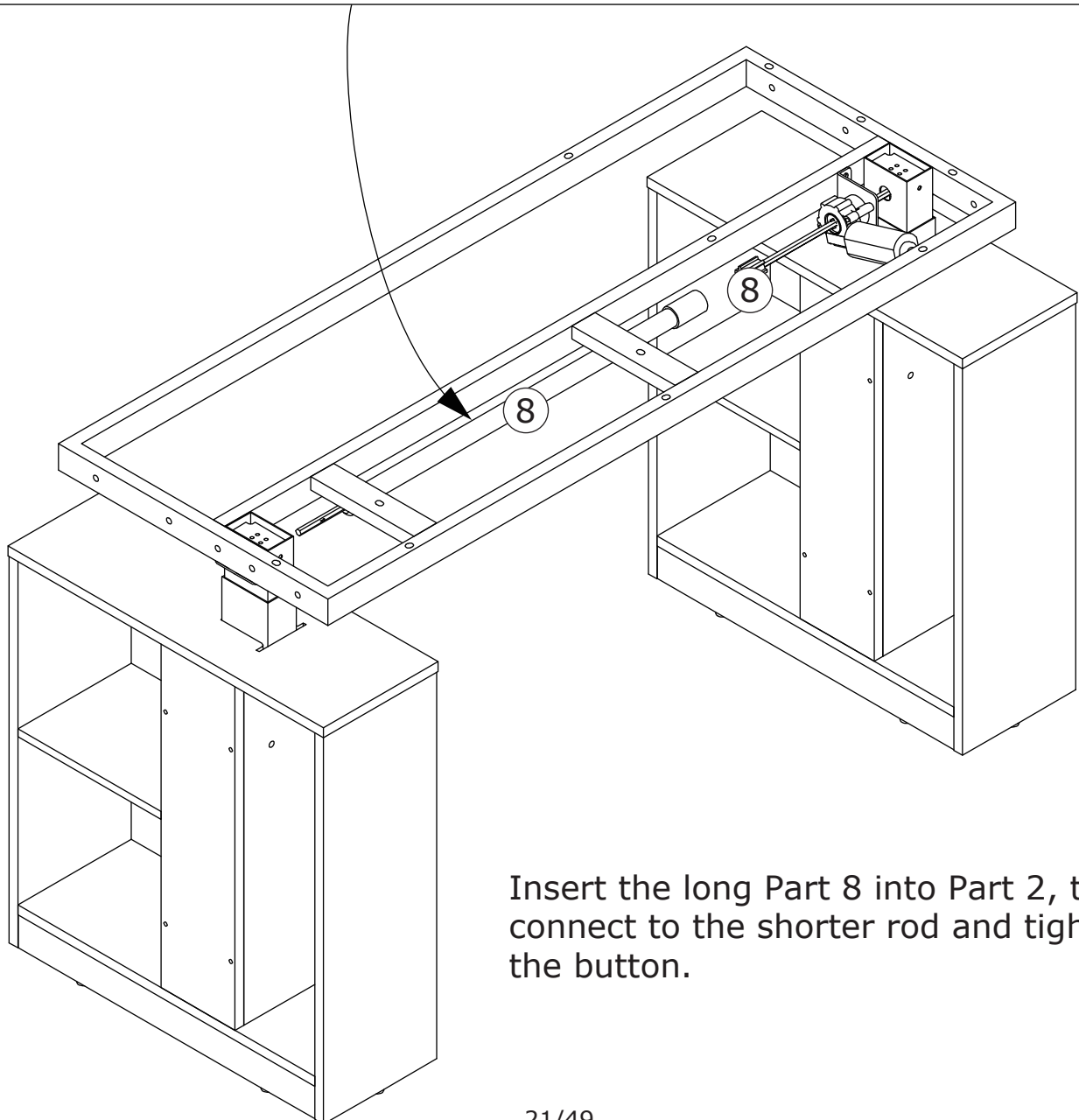
15



Loosening the button to extend the telescopic rod, while tightening to secure it


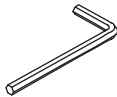


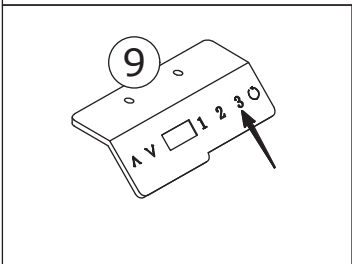
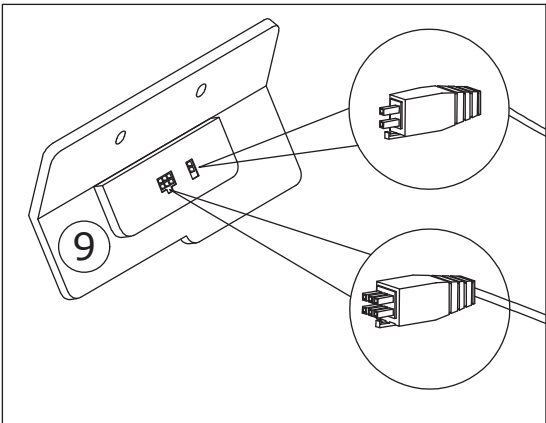
Adjust to the appropriate length for installing the telescopic rod . After the installation is completed, tighten the button to secure the length.



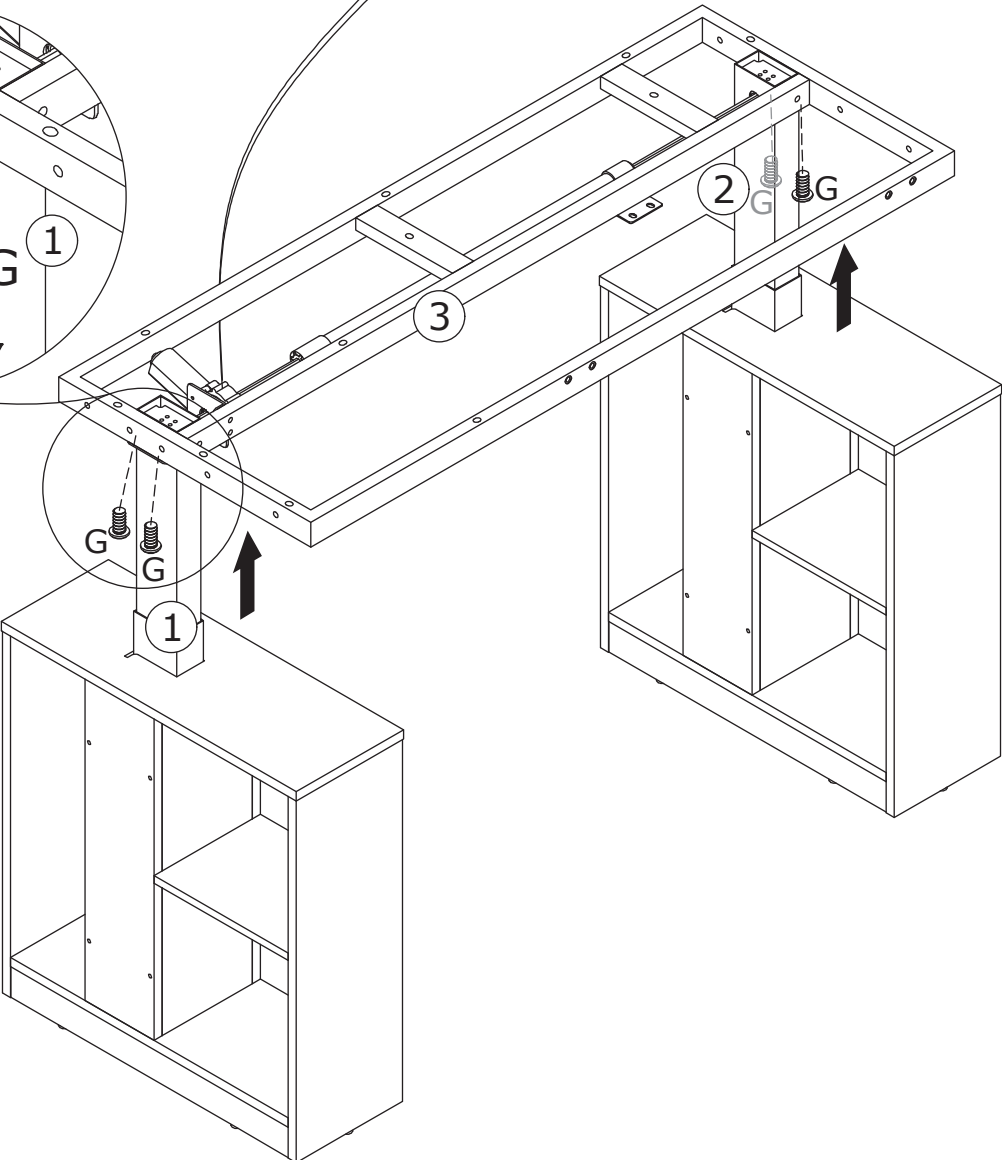
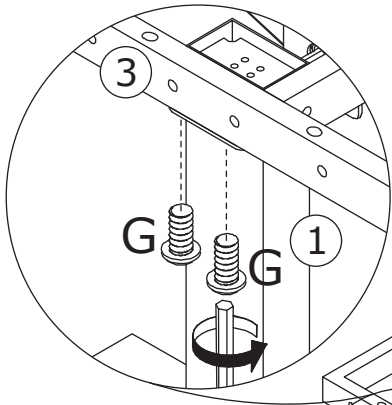
Insert the long Part 8 into Part 2, then connect to the shorter rod and tighten the button.

16

G x 4  M6 x 12 mm	x 1  #4	
--	--	--

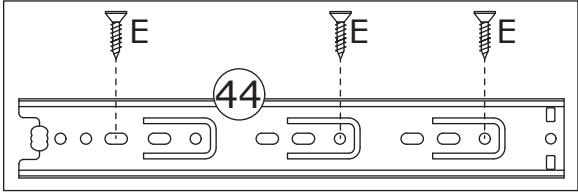
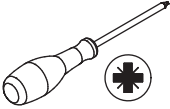


Connect Part 9 to Part 7 and 10, raise the desk frame, then secure Part 3 to Part 1 and 2 using screw (G).

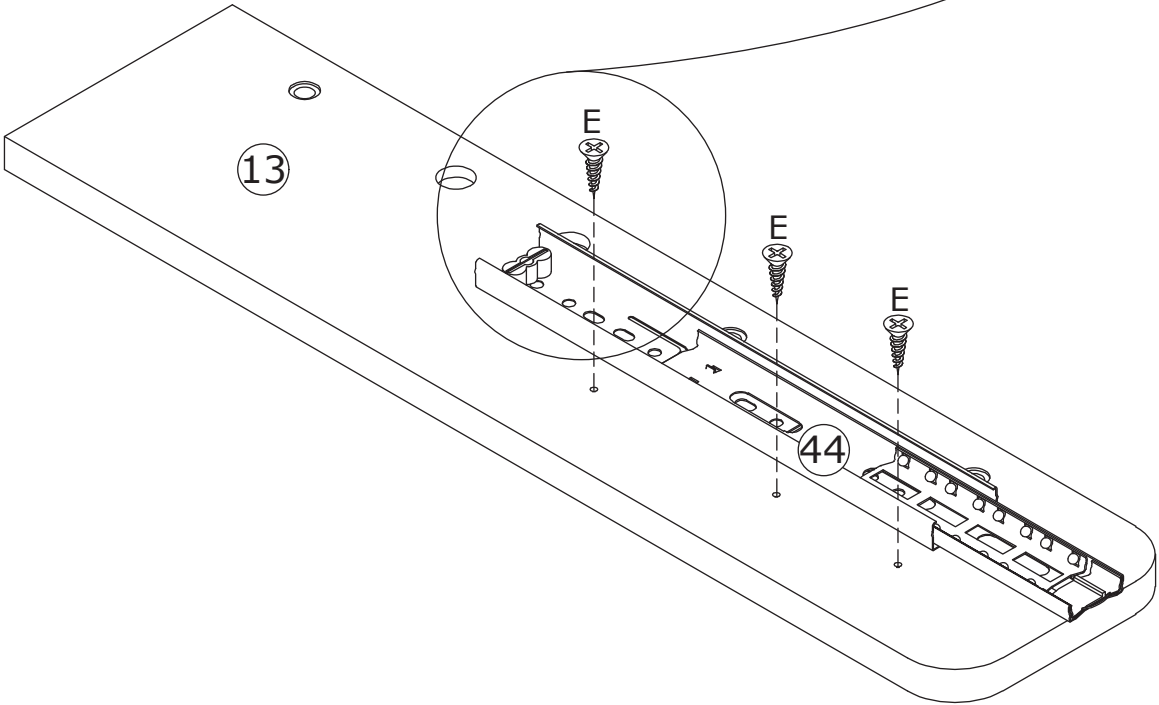
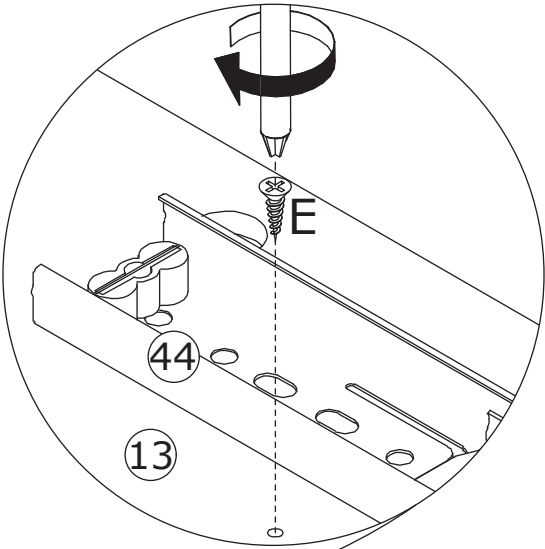


17

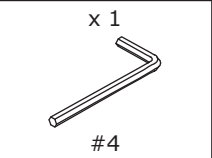
E x 3
M3.5 x 12 mm



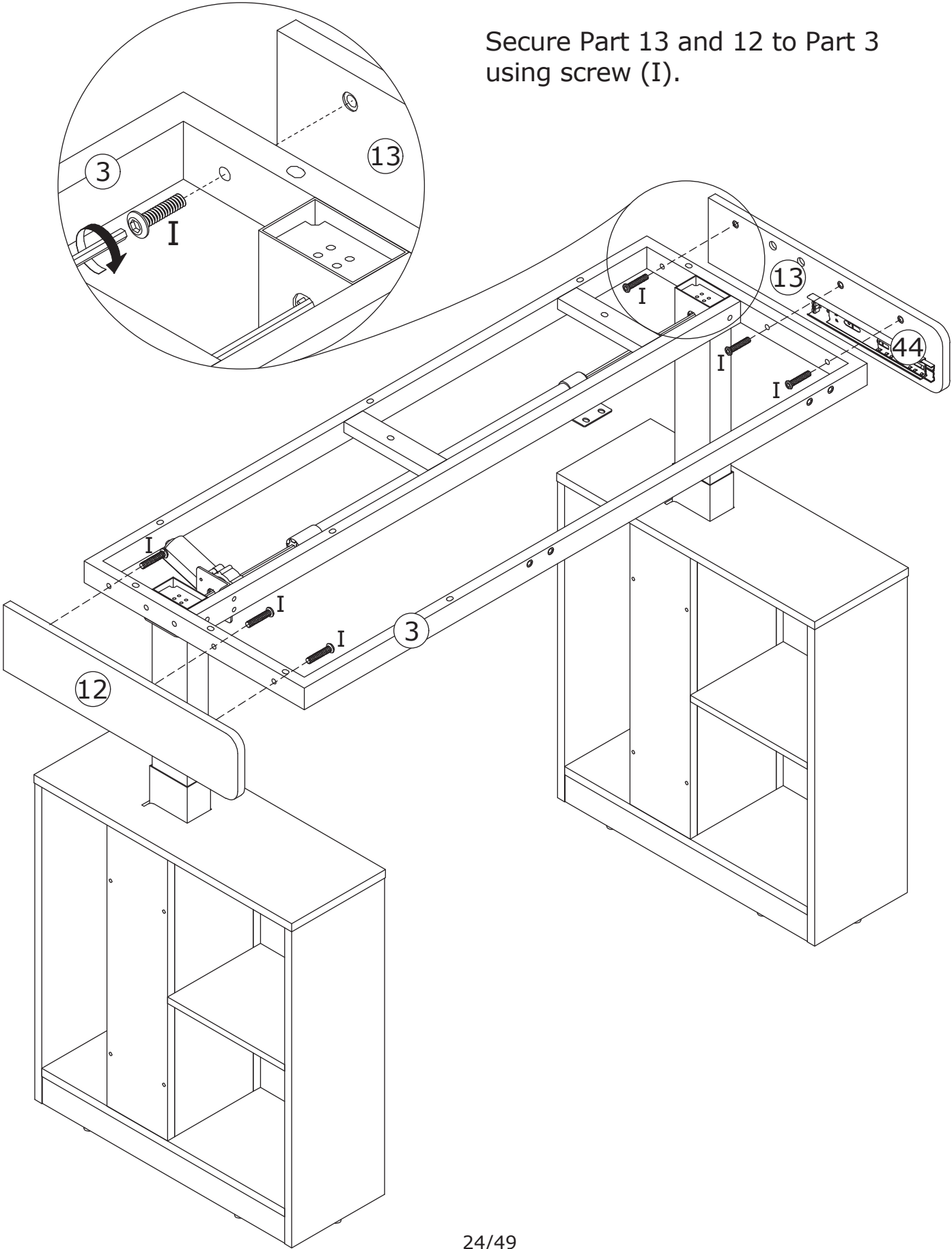
Secure guide rail 44 to Part 13 using screw (E).



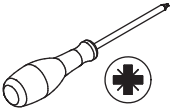
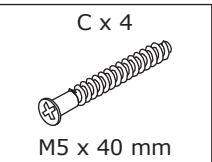
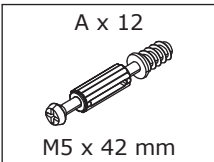
18



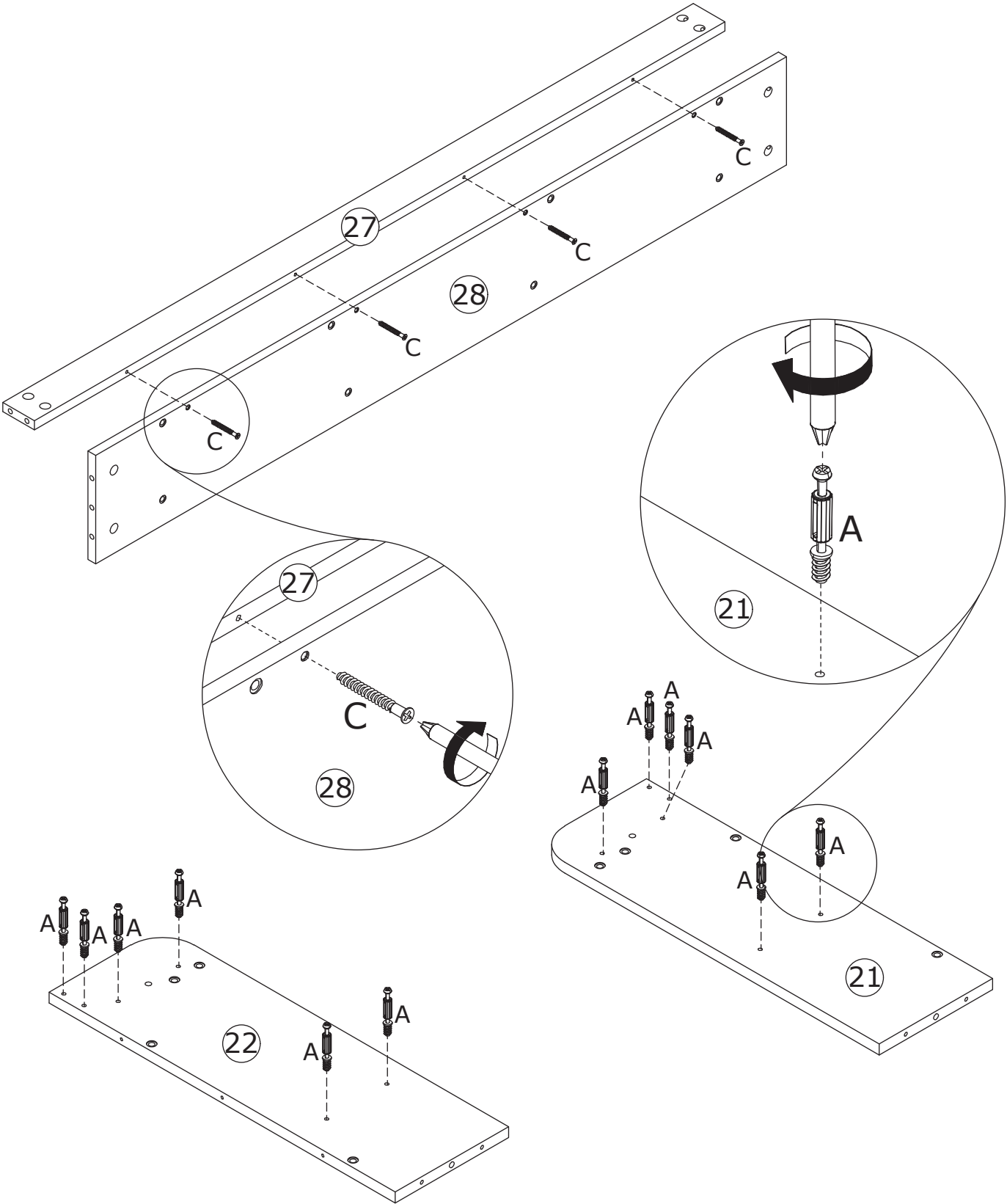
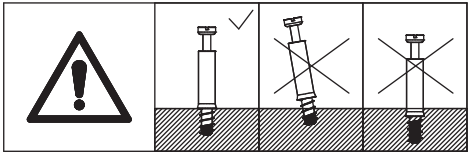
Secure Part 13 and 12 to Part 3 using screw (I).



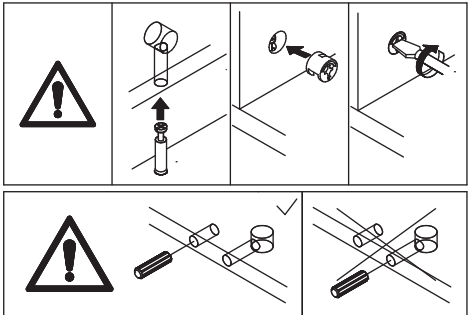
19



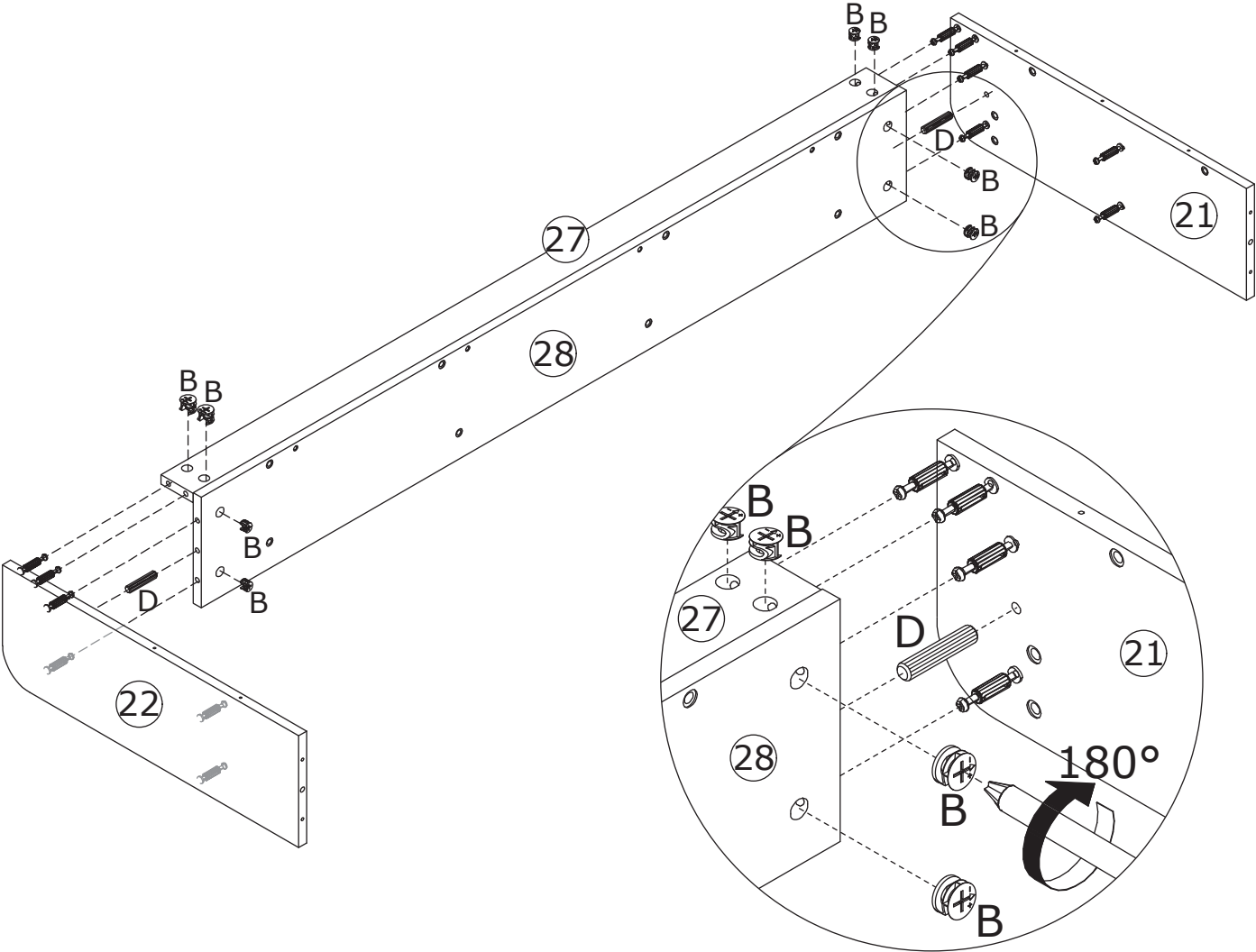
Connect Part 27 to Part 28 using screw (C).
Screw eccentric (A) onto Part 21 and 22.



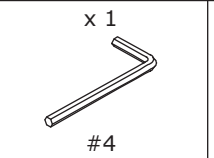
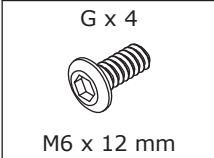
20



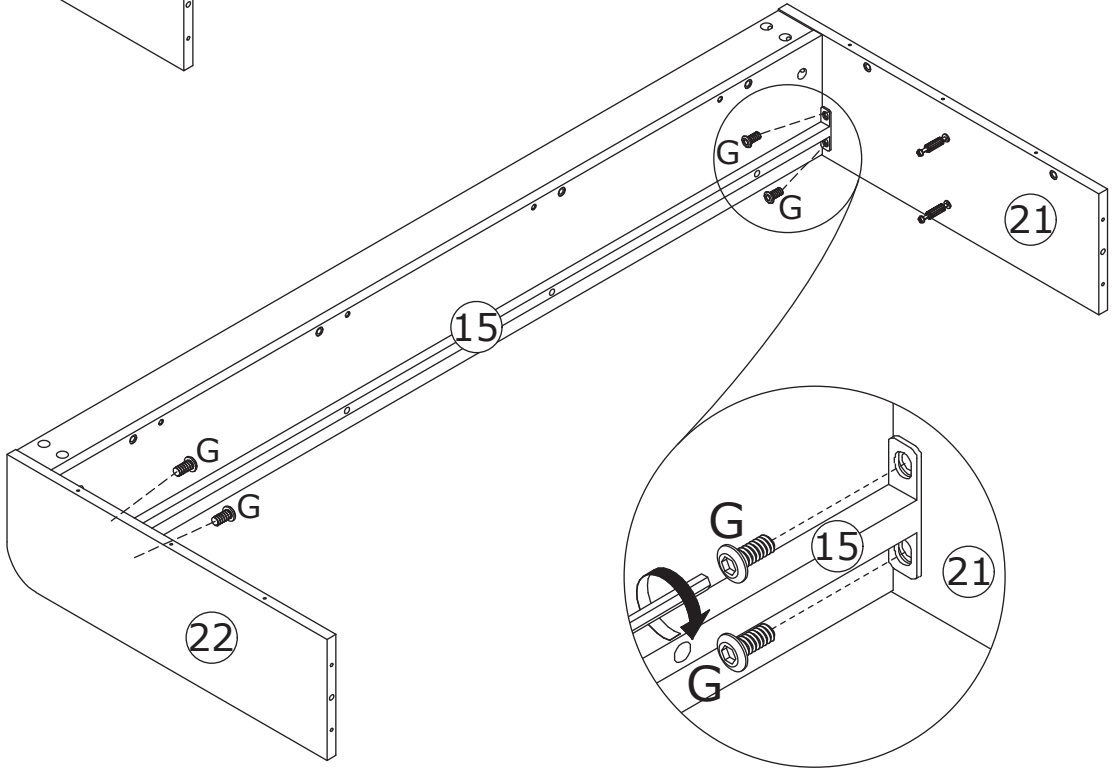
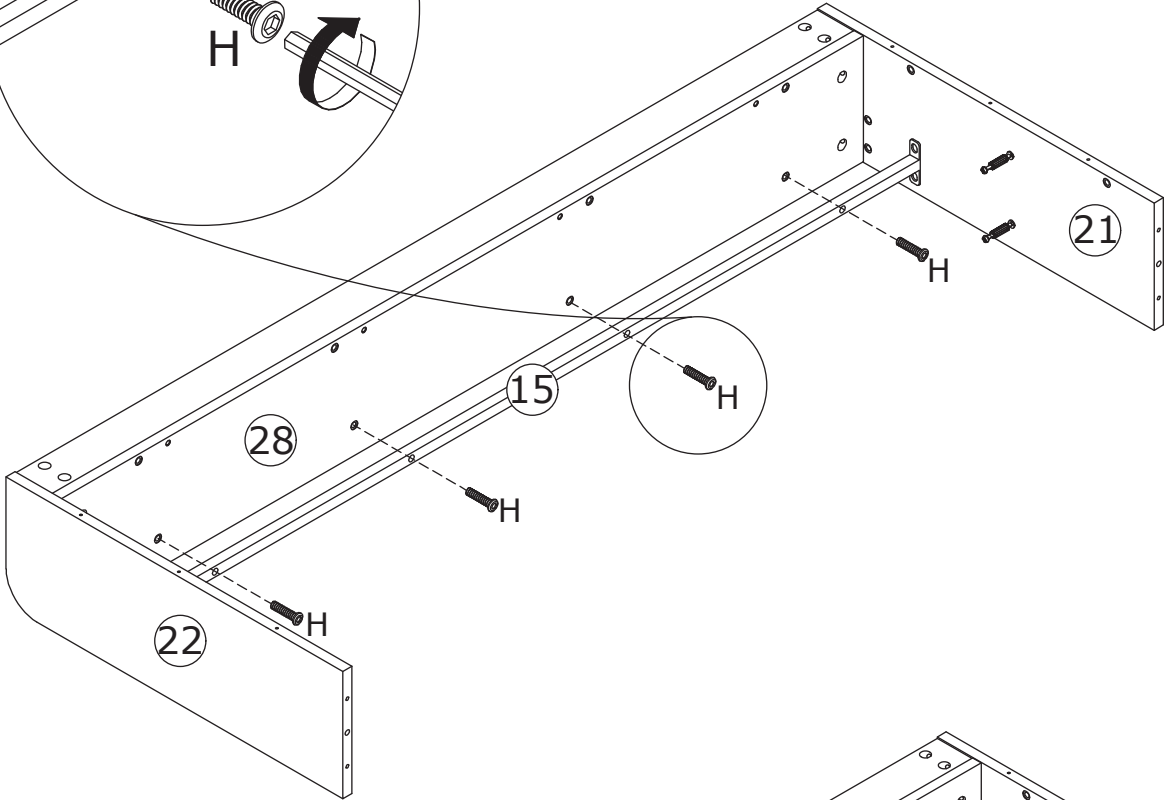
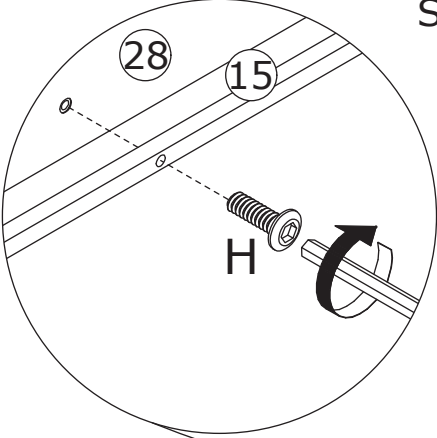
Connect Part 21 and 22 to Part 27 and 28 using wooden dowel (D), then tighten by rotating cam lock (B) clockwise.



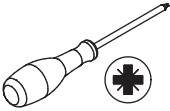
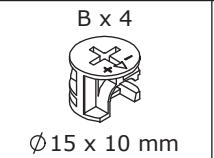
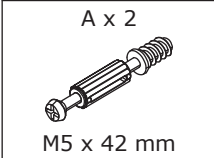
21



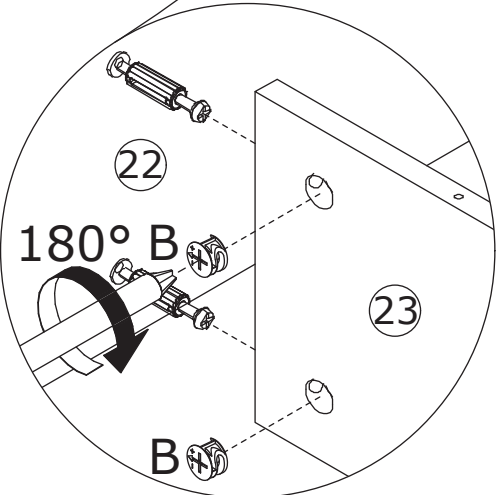
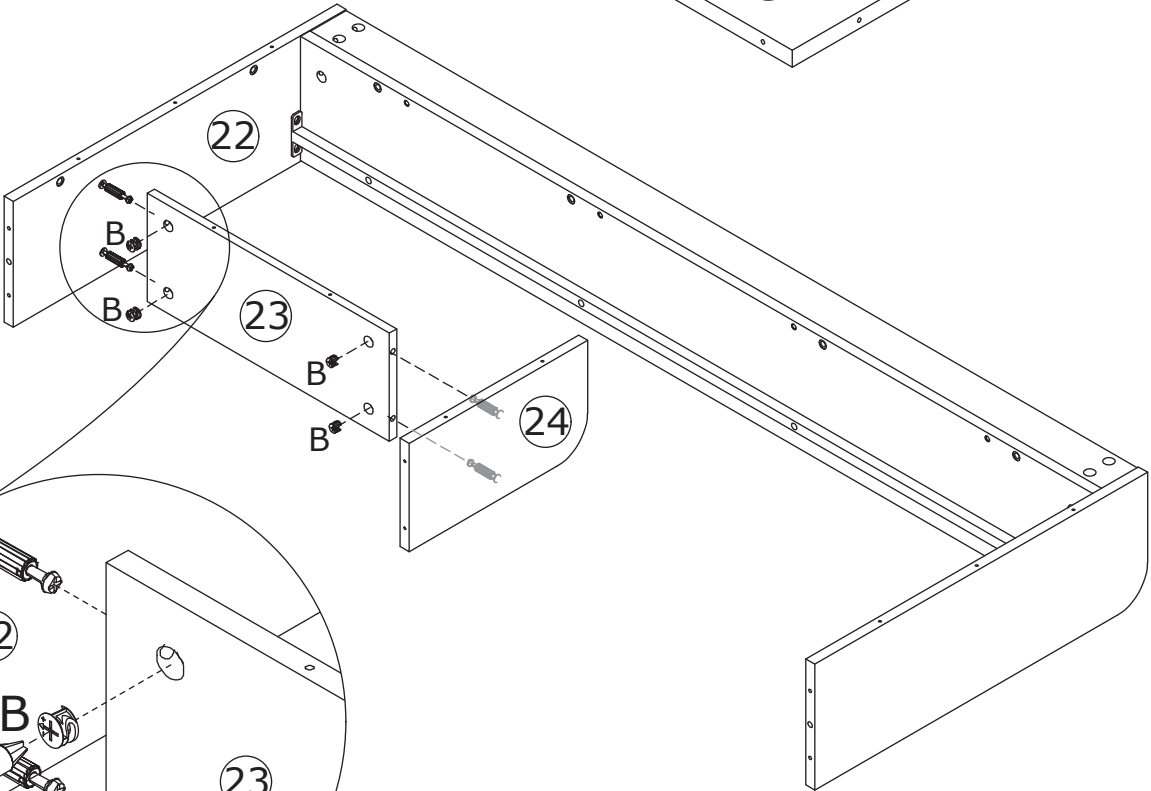
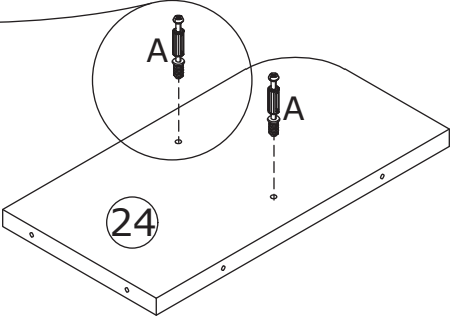
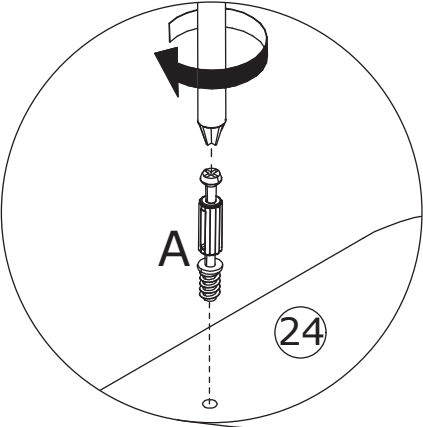
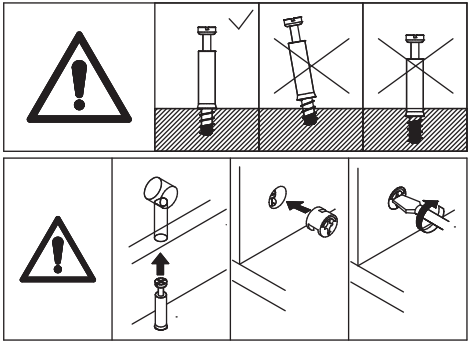
Secure Part 15 to Part 28 using screw (H).
Secure Part 15 to Part 21 and 22 using screw (G).



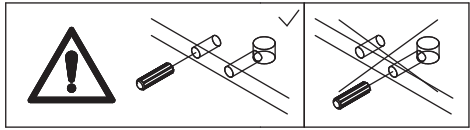
22



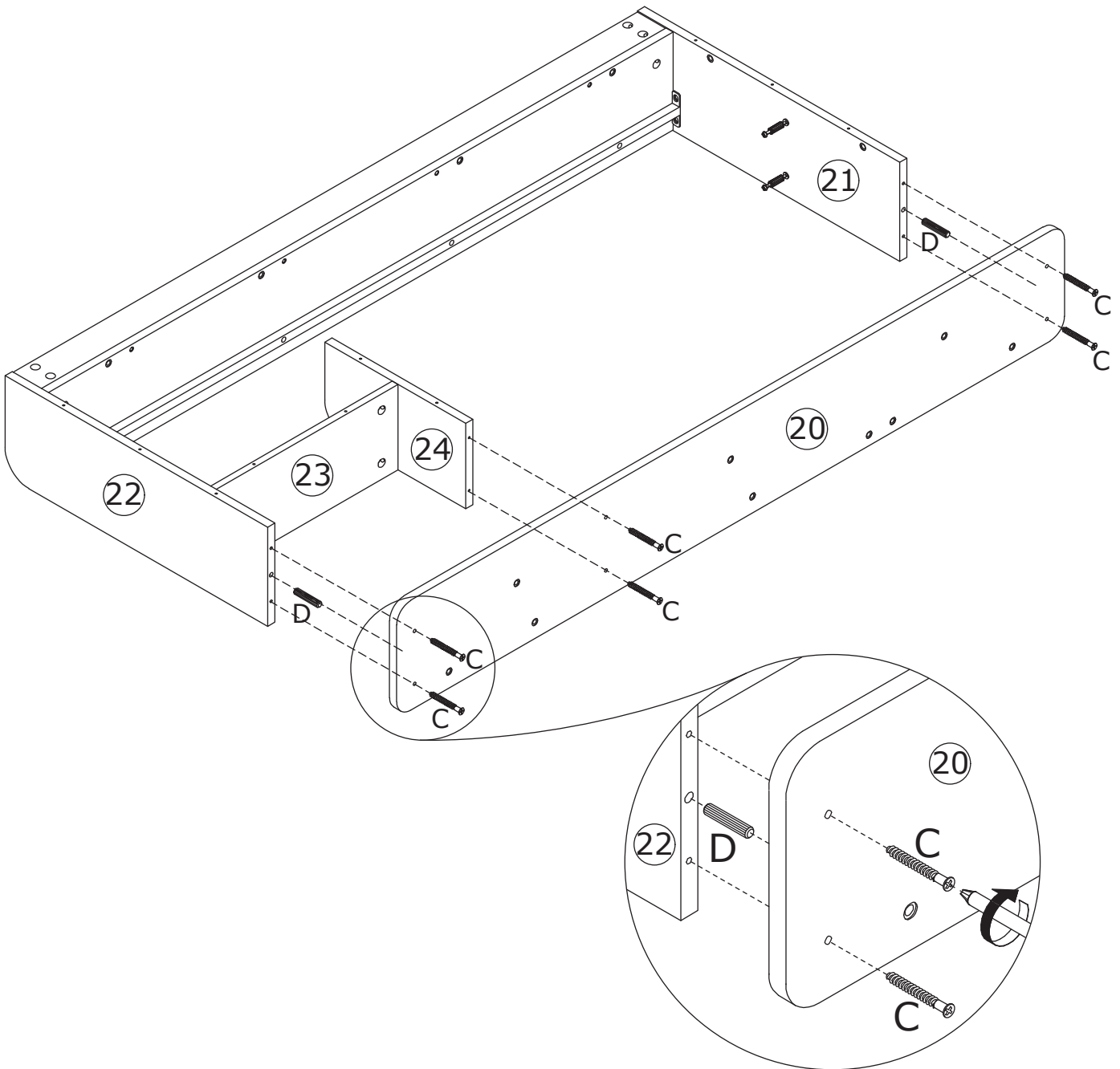
Screw eccentric (A) onto Part 24.
Connect Part 23 to Part 22 and 24, then
tighten by rotating cam lock (B) clockwise.





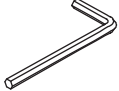
23



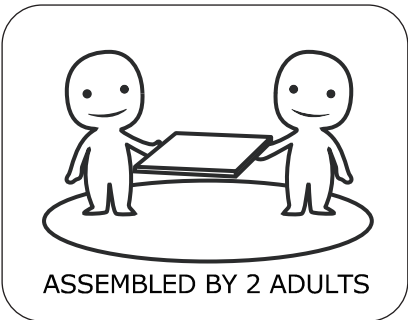
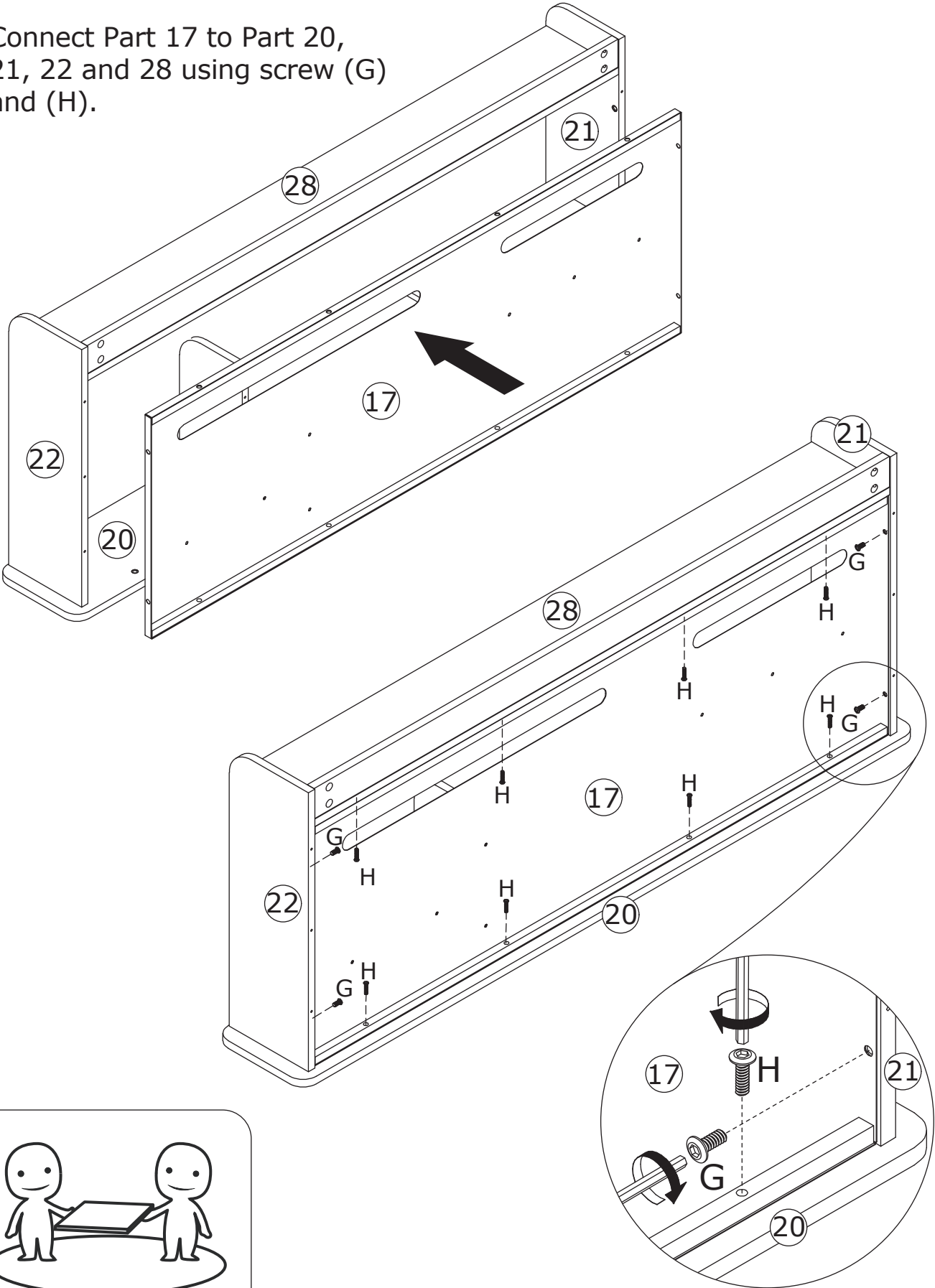
Connect Part 20 to Part 22, 24 and 21 using wooden dowel (D), then secure them using screw (C).



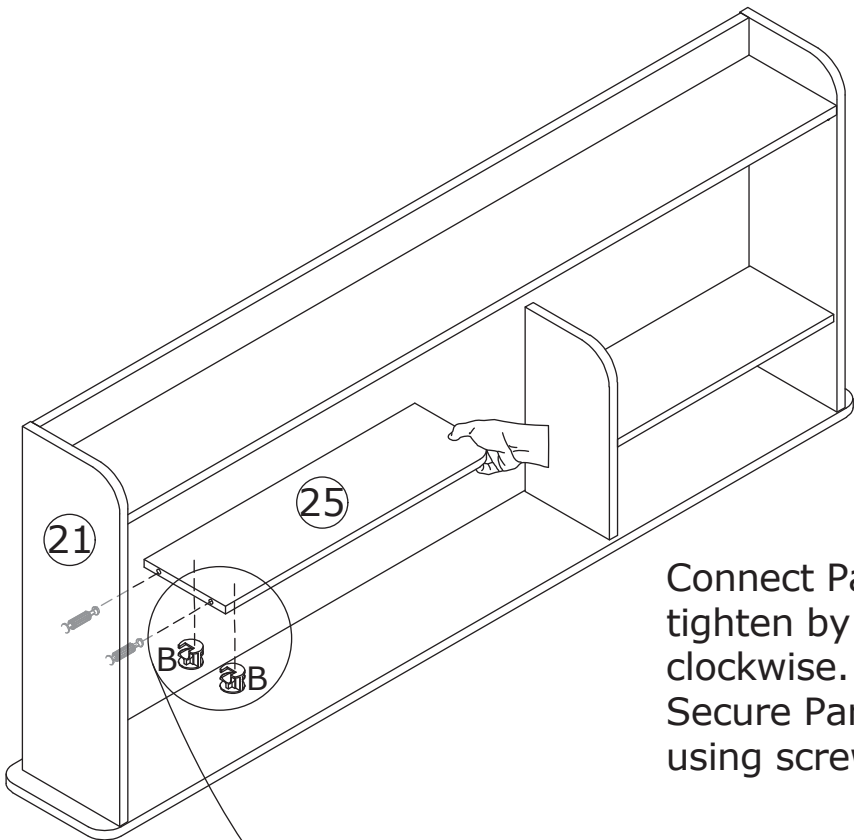
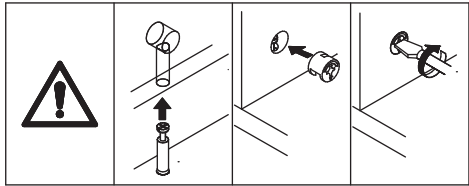
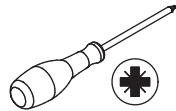
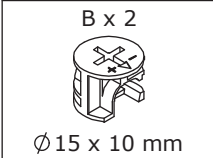
24

G x 4  M6 x 12 mm	H x 8  M6 x 25 mm	x 1  #4	
--	--	--	--

Connect Part 17 to Part 20, 21, 22 and 28 using screw (G) and (H).

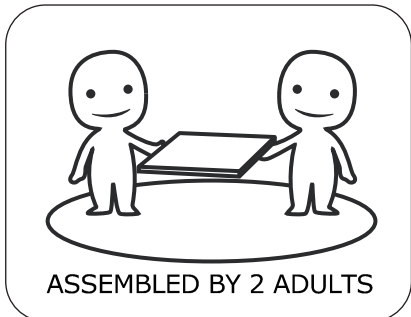
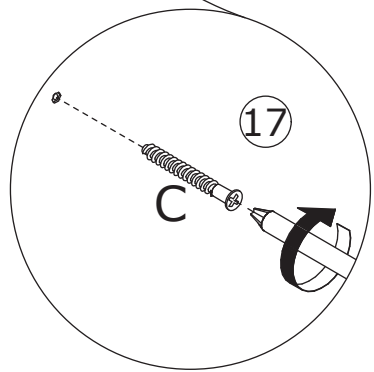
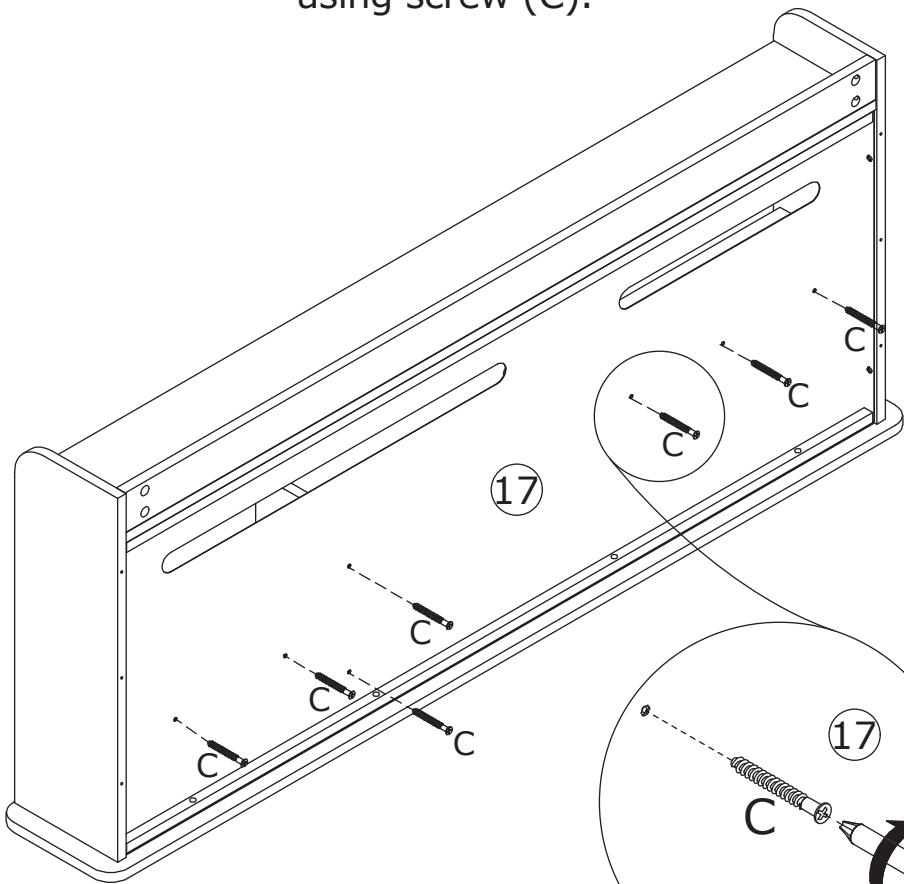
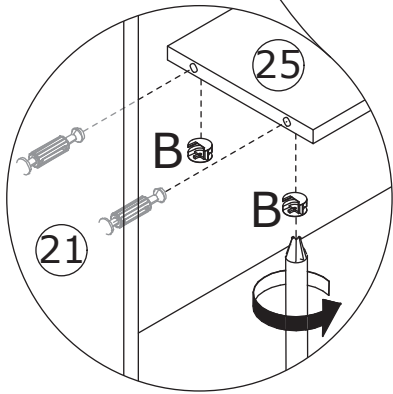


25


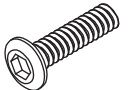
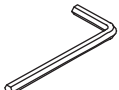


Connect Part 25 to Part 22, then tighten by rotating cam lock (B) clockwise.

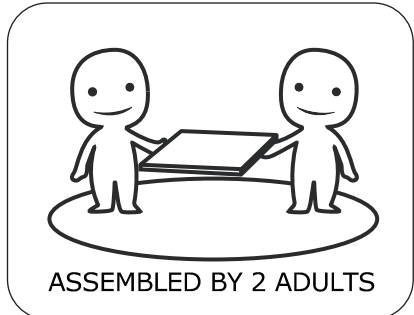
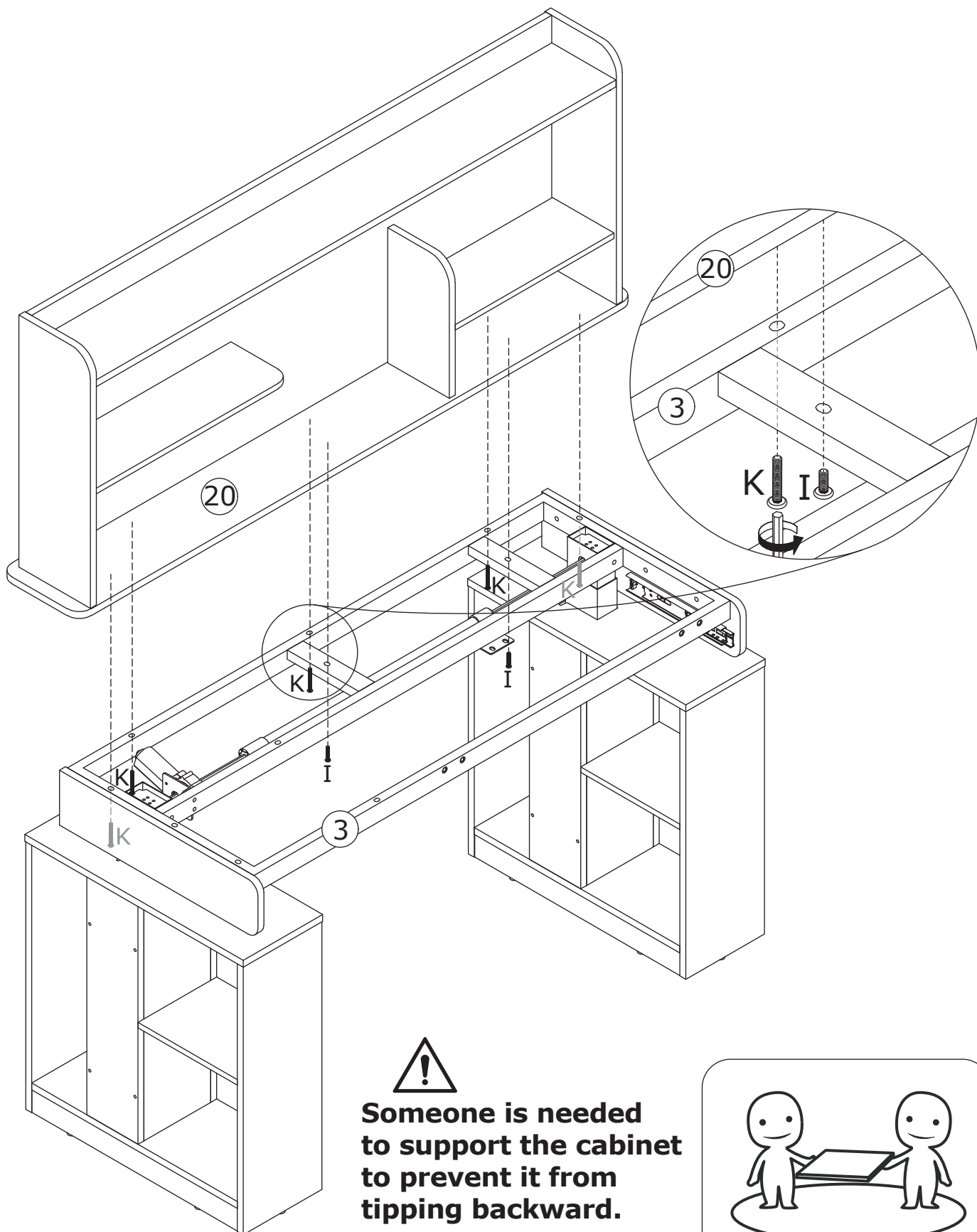
Secure Part 17 to Part 23, 25 and 24 using screw (C).




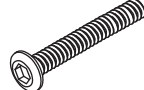
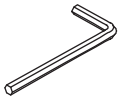
26

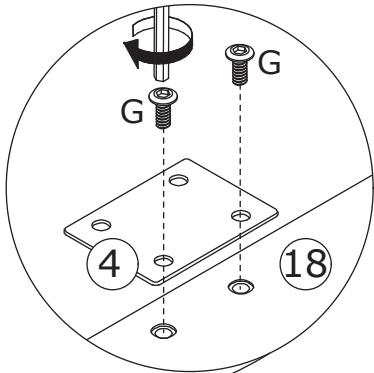
<p>K x 5 M6 x 50 mm</p> 	<p>I x 2 M6 x 30 mm</p> 	<p>x 1 #4</p> 	
---	---	---	--

Secure the component to Part 3 using screws (K) and (I).

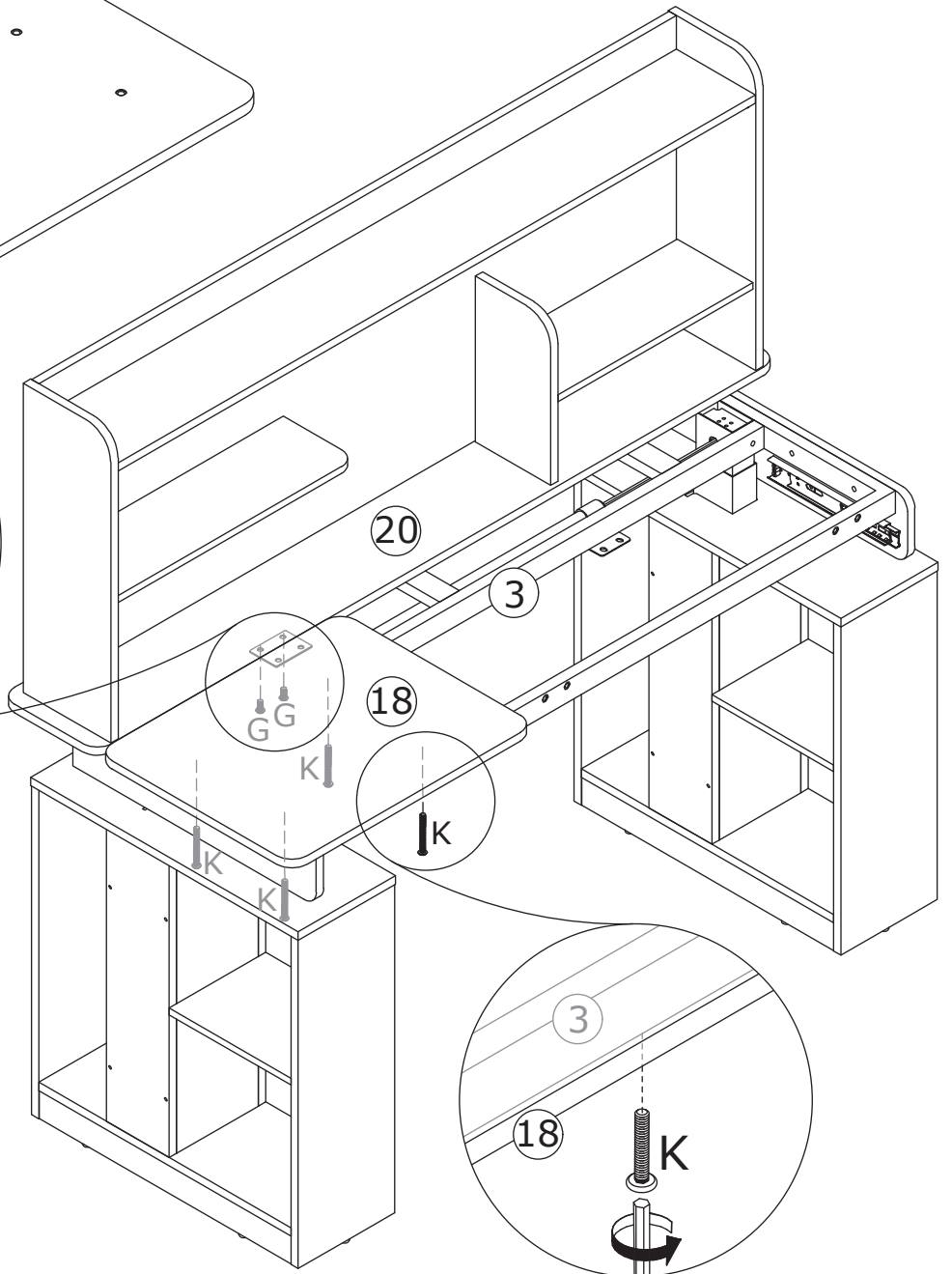
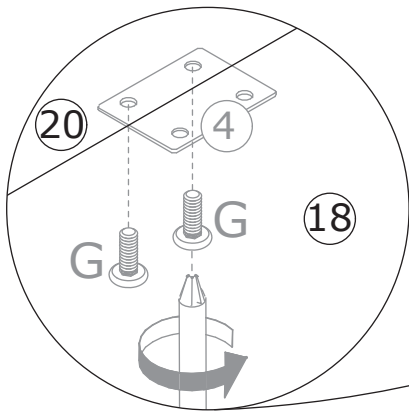
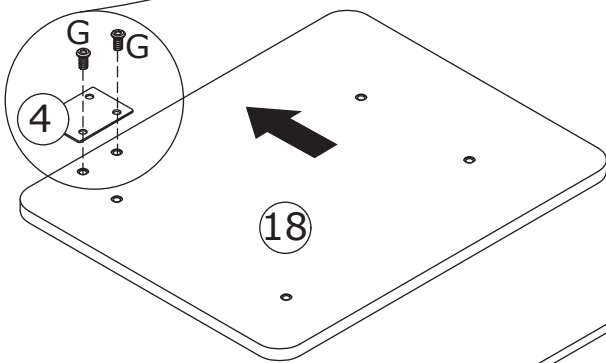


27

<p>G x 4</p>  <p>M6 x 12 mm</p>	<p>K x 4</p>  <p>M6 x 50 mm</p>	<p>x 1</p>  <p>#4</p>	
--	--	--	--



Secure Part 4 to Part 18 using screw (G).
Secure Part 4 to Part 20 using screw (G),
and secure Part 18 to Part 3 using screw (K).

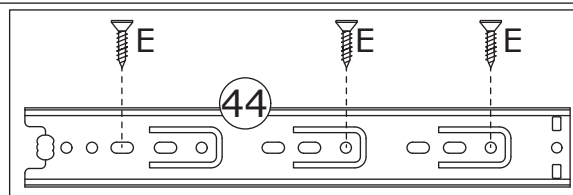
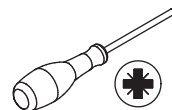


28

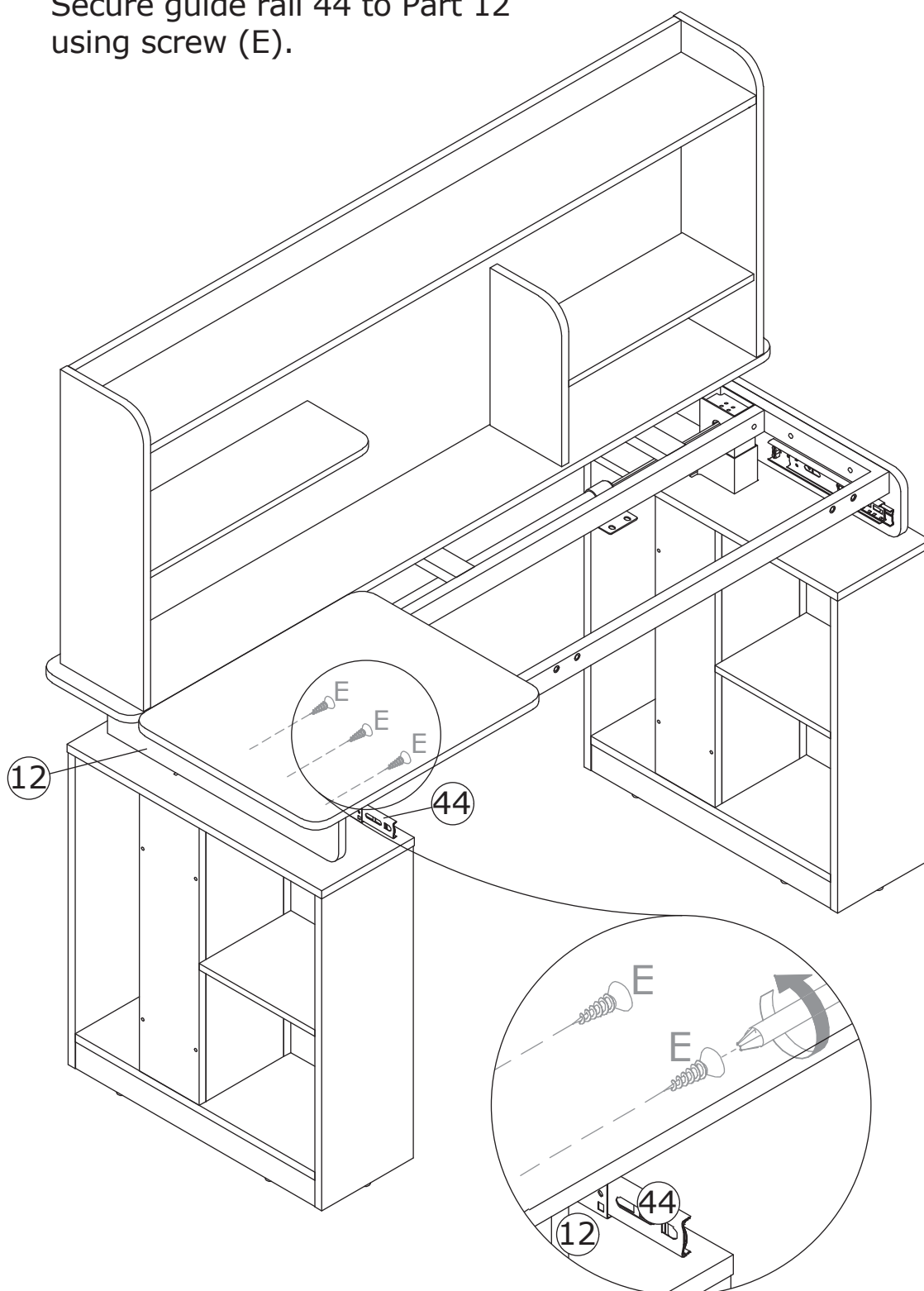
E x 3





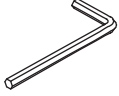
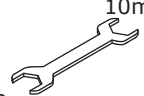
M3.5 x 12 mm



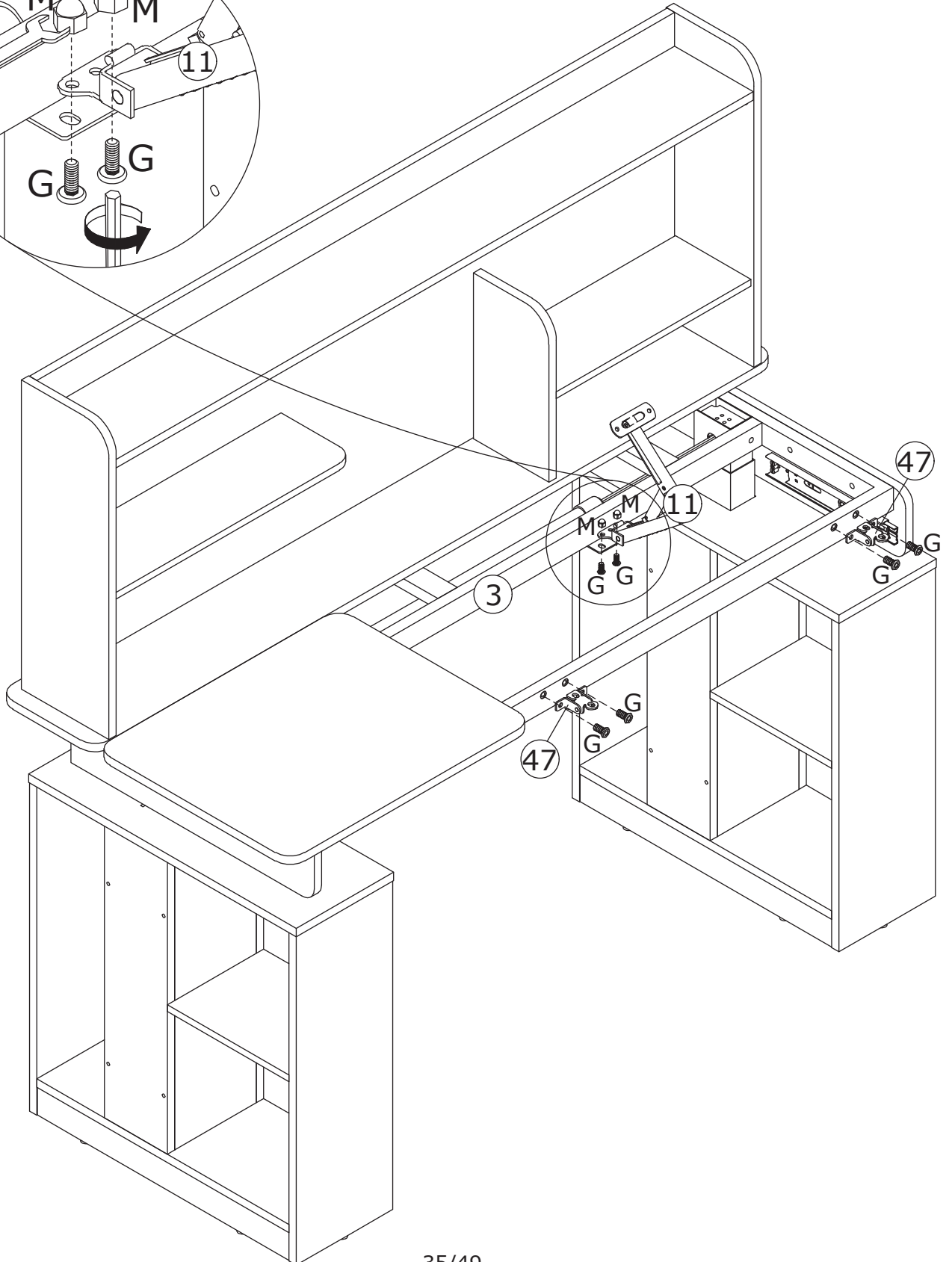
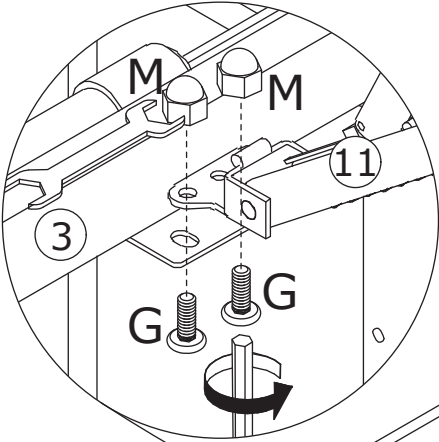
Secure guide rail 44 to Part 12 using screw (E).



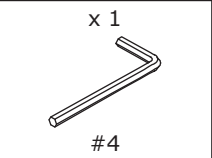
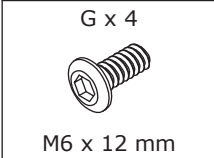
29

<p>G x 6 M6 x 12 mm</p> 	<p>M x 2 M6</p> 	<p>x 1 #4</p> 	<p>x 1 10mm 12mm</p> 	
---	---	---	---	--

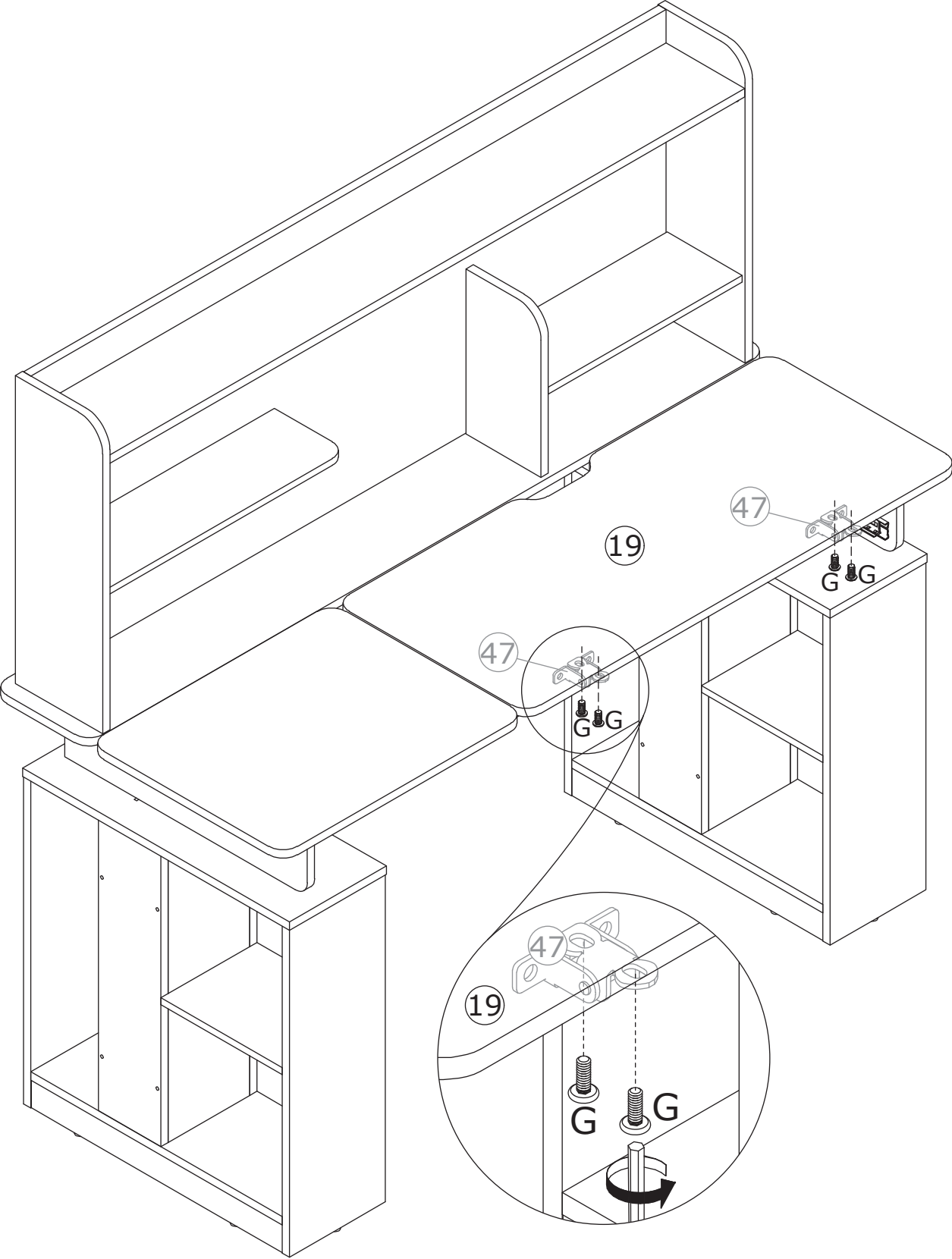
Secure Part 47 and 11 to Part 3 using screw (G) and nut (M).



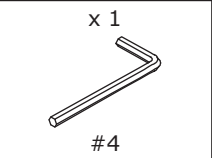
30



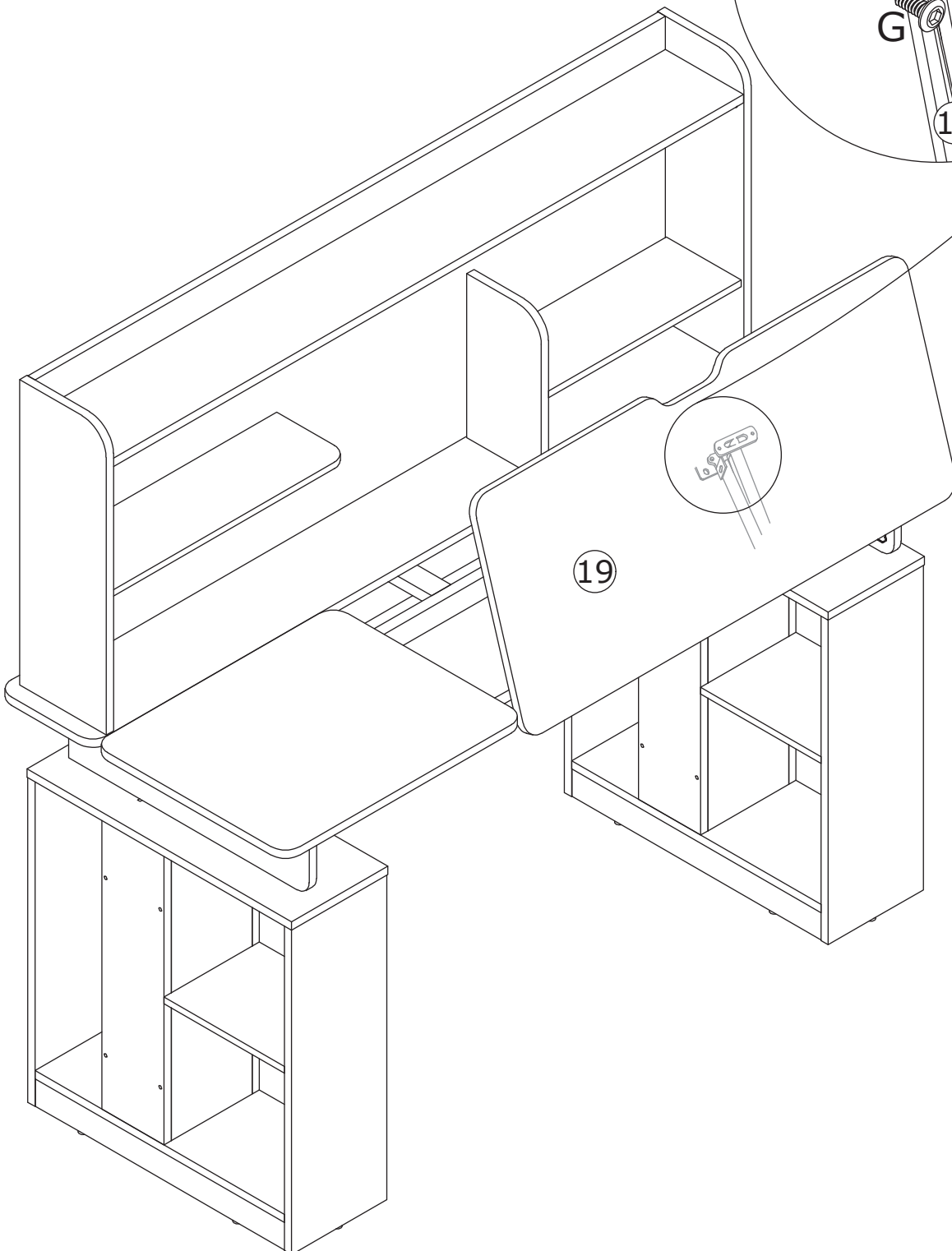
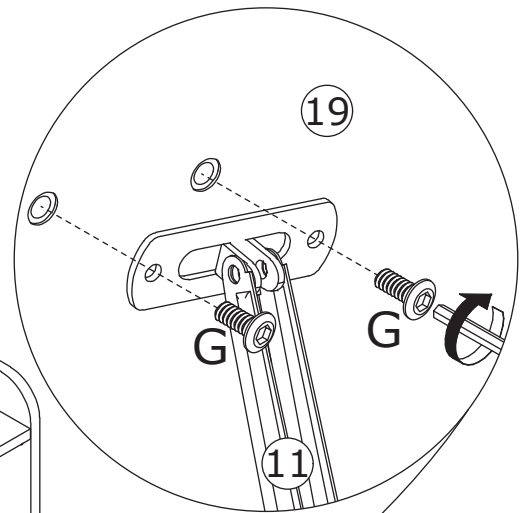
Secure Part 19 to Part 47 using screw (G).



31

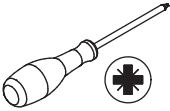


Secure Part 19 to Part 11 using screw (G).

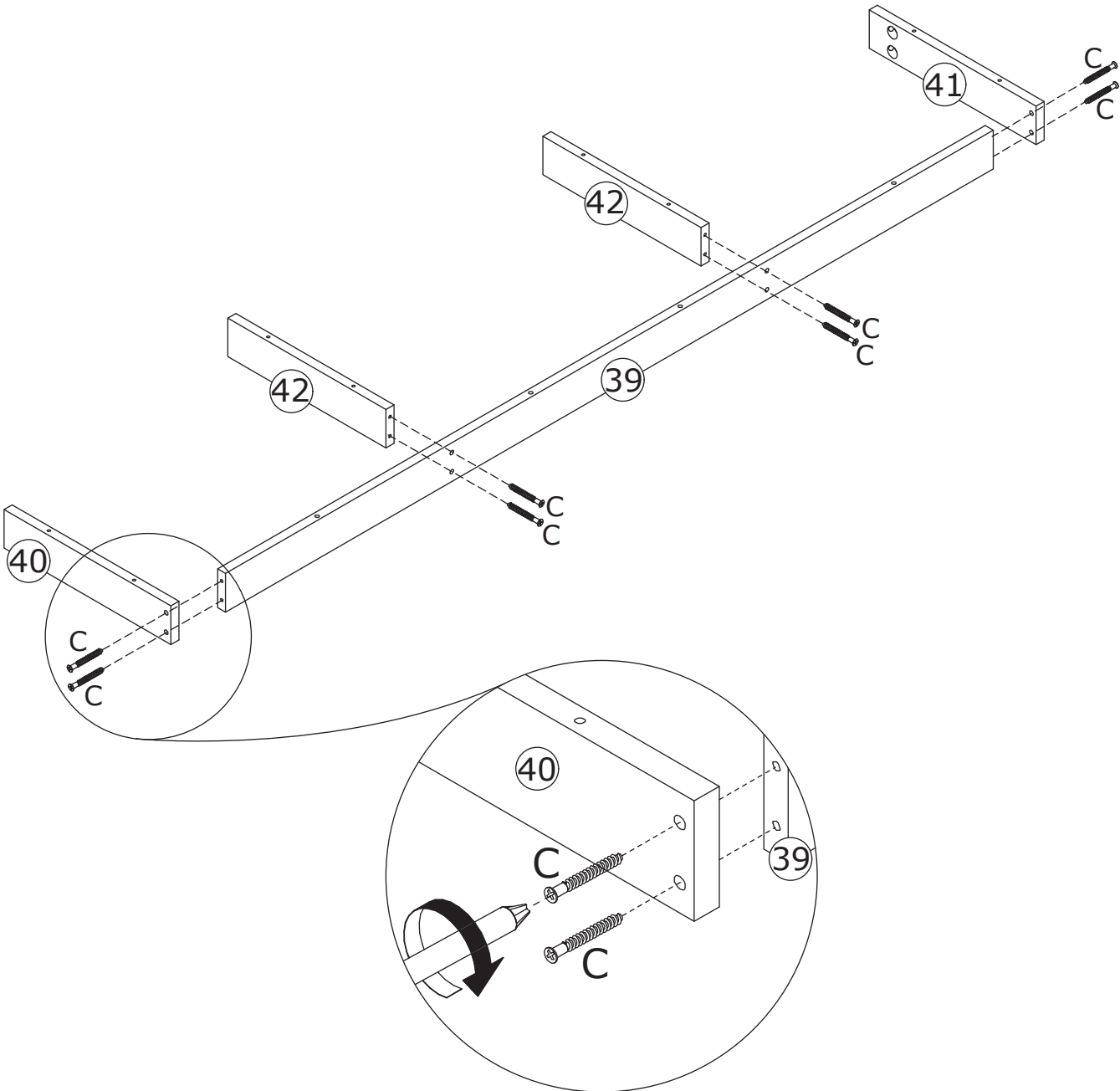


32

C x 8
M5 x 40 mm

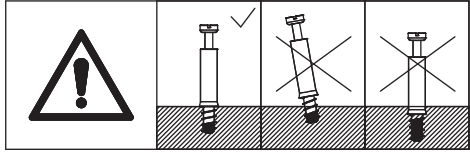
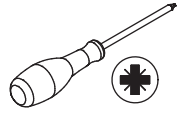
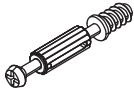


Secure Part 39 to Part 40, 41 and 42 using screw (C).

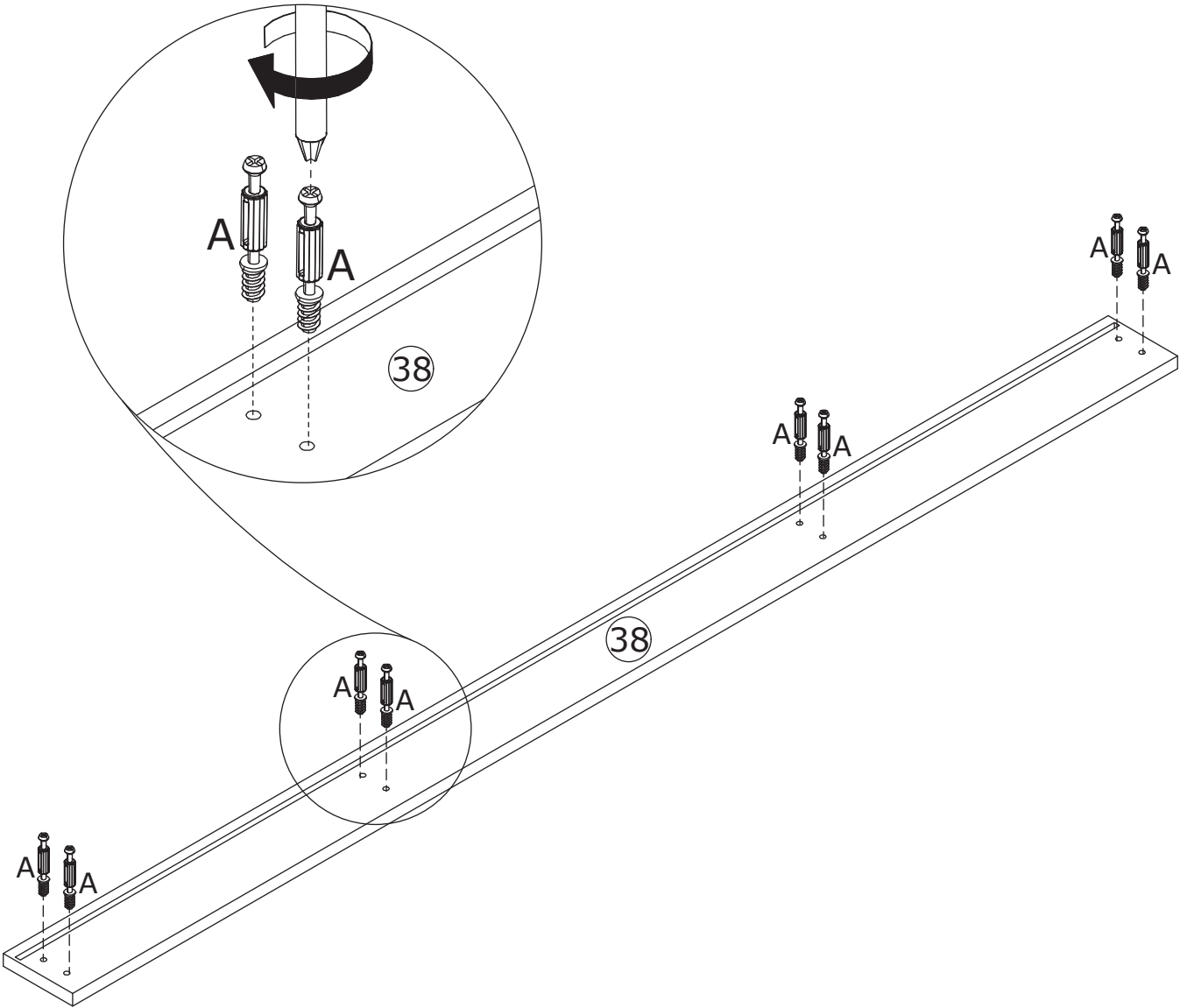


33

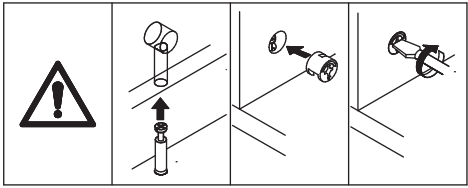
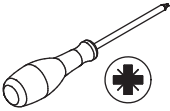
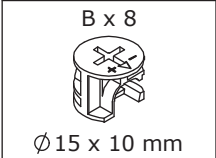
A x 8
M5 x 42 mm



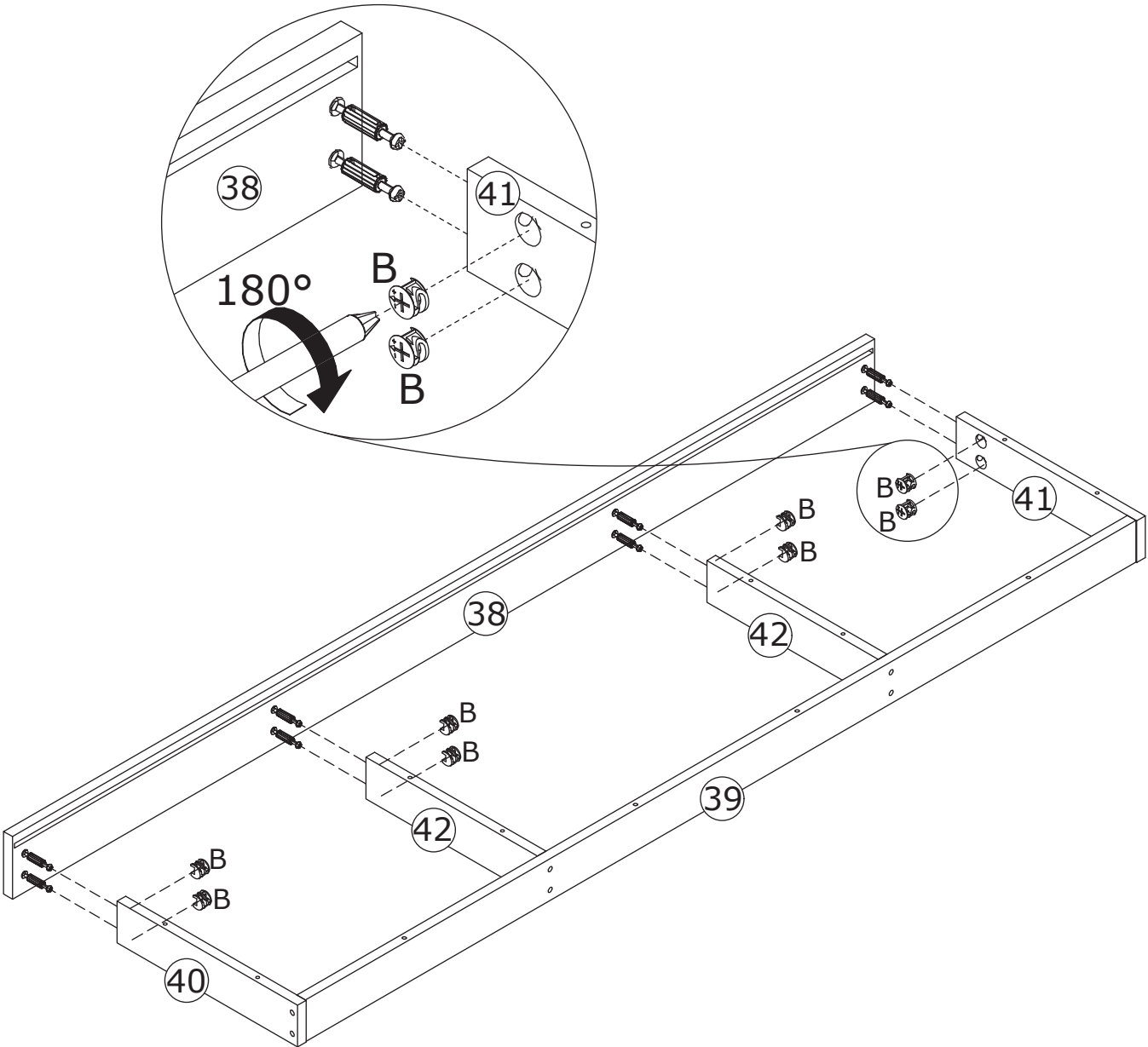
Screw eccentric (A) onto Part 38.



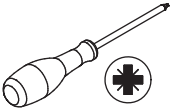
34



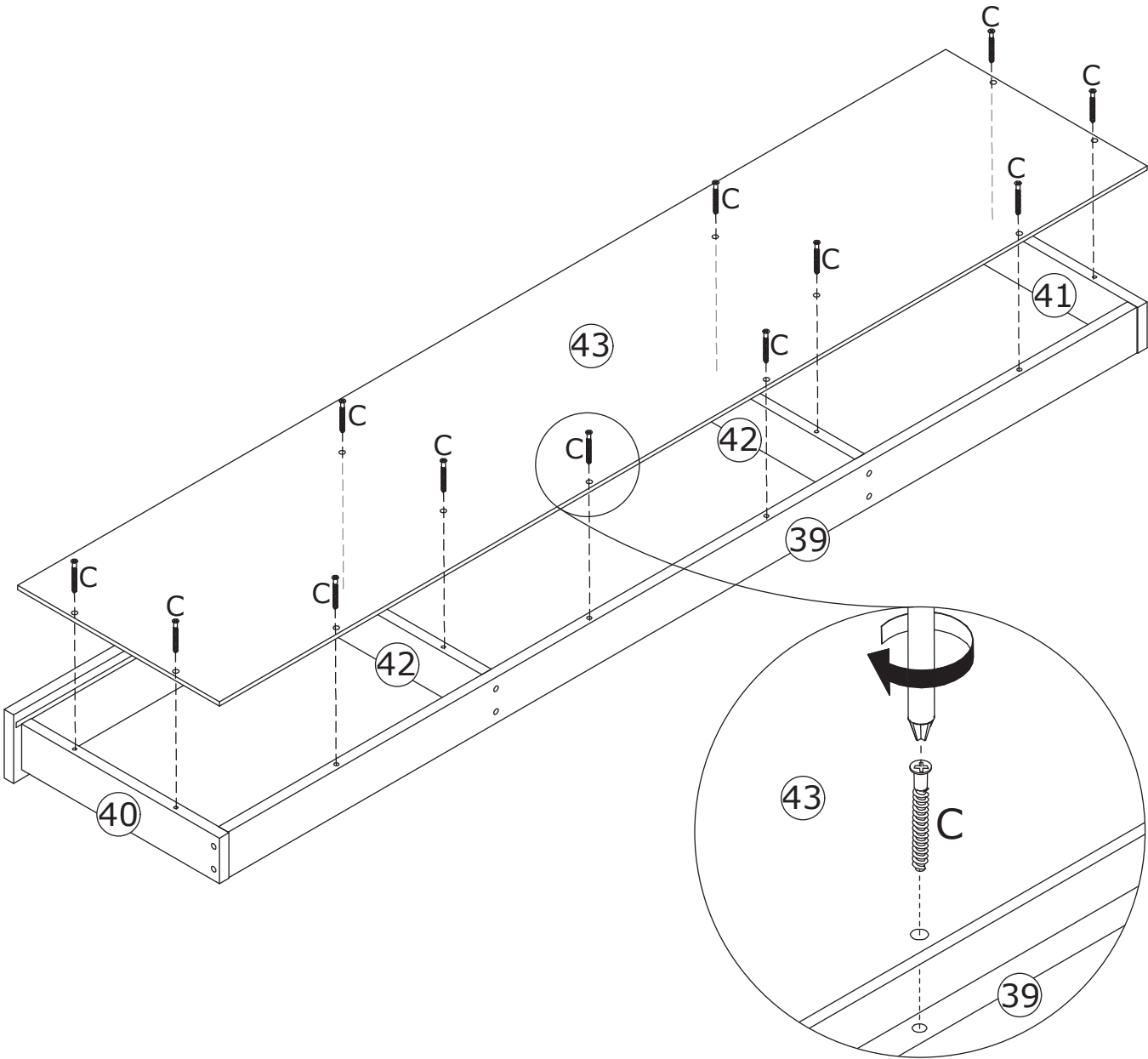
Connect Part 38 to Part 40, 41 and 42, then tighten by rotating cam lock (B) clockwise.



35

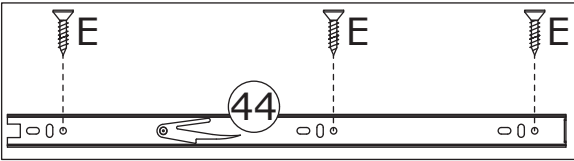
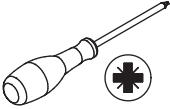


Secure Part 43 to Part 39, 40, 41 and 42 using screw (C).

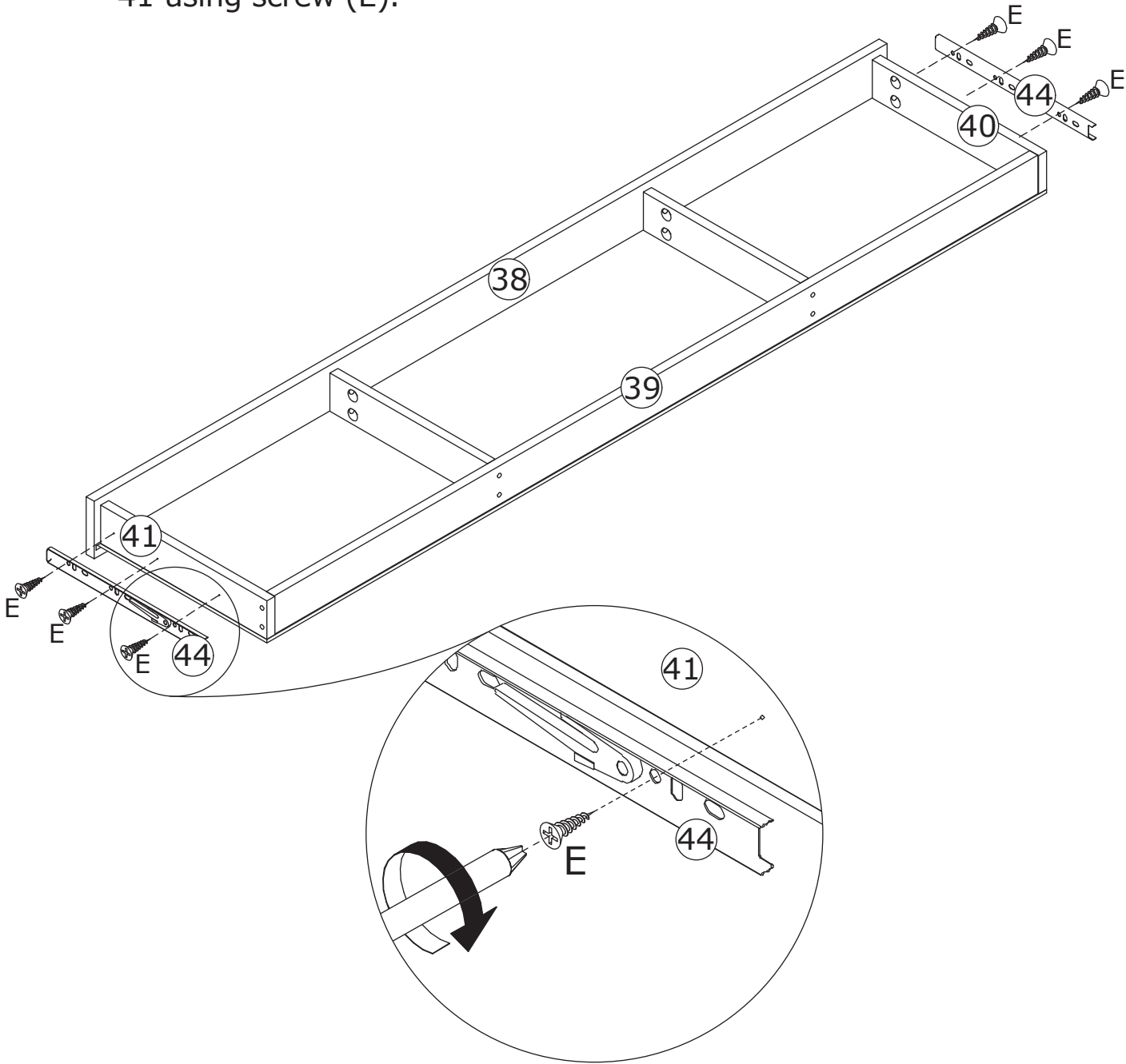


36

E x 6
M3.5 x 12 mm



Secure guide rail 44 to Part 40 and 41 using screw (E).

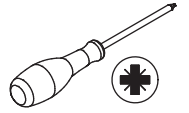


37

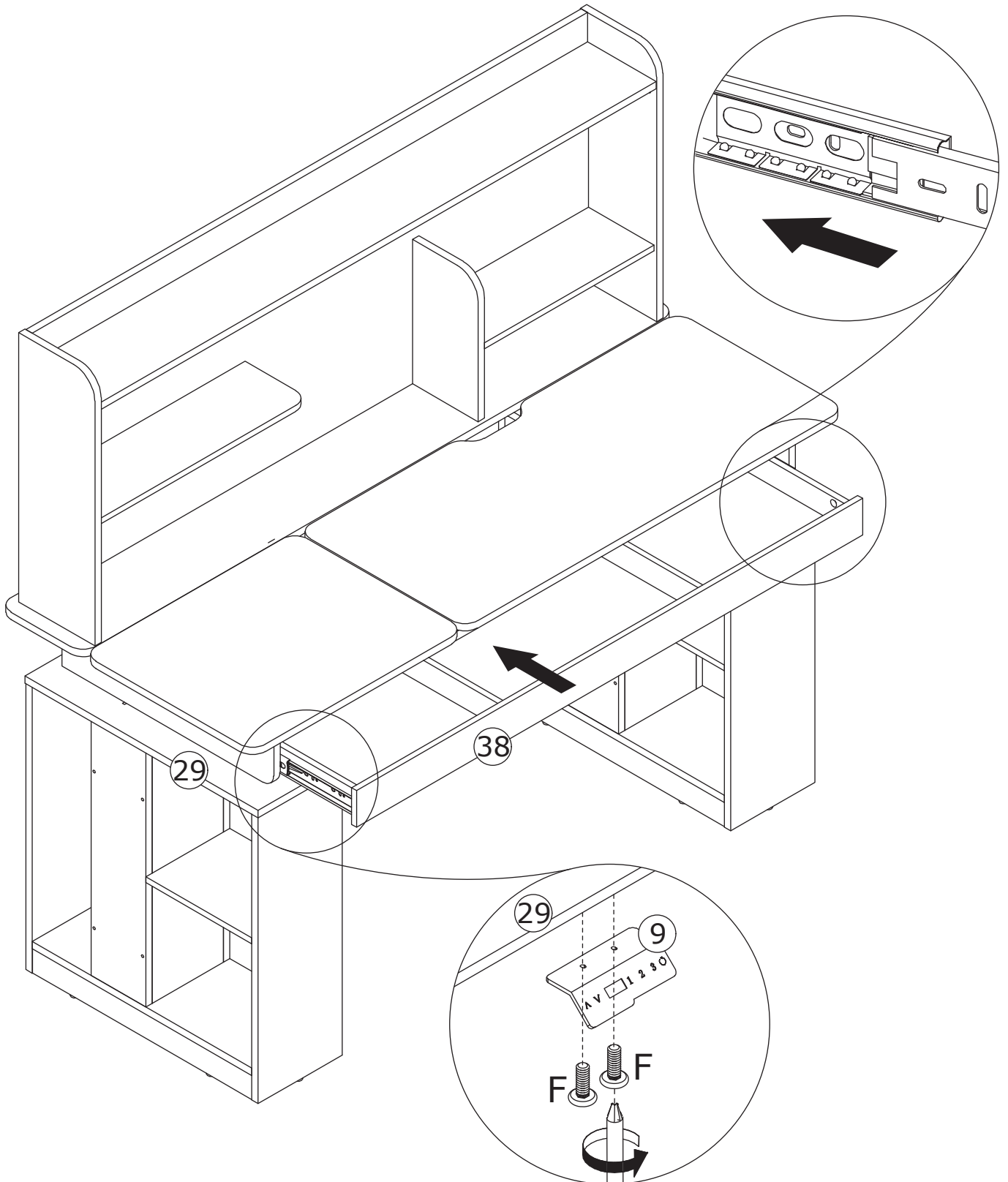
F x 2



M5 x 12 mm

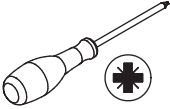


Insert the drawers into the unit, then secure Part 9 to Part 29 using screw (F).

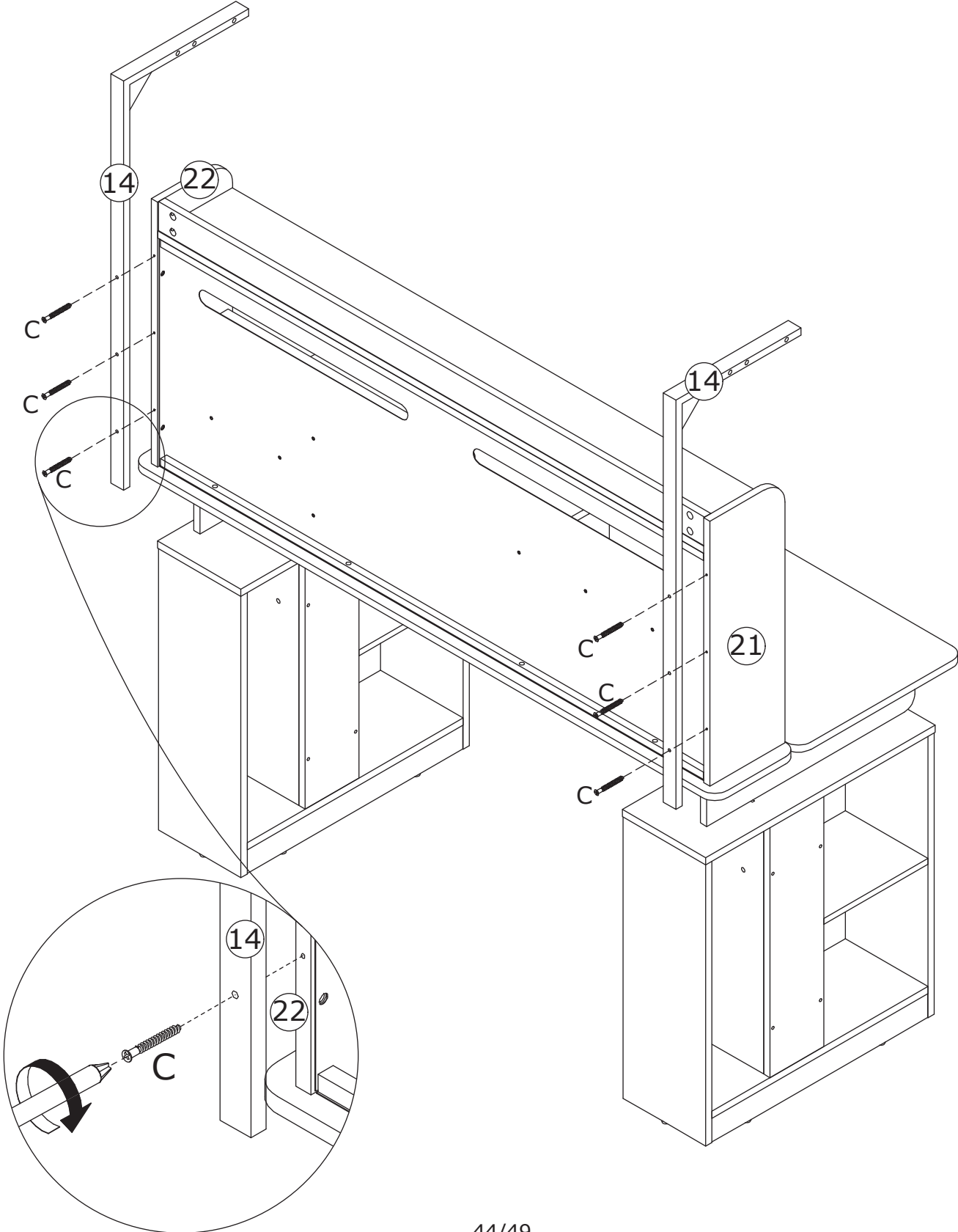


38

C x 6
M5 x 40 mm

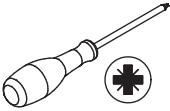


Secure Part 14 to Part 21 and 22 using screw (C).

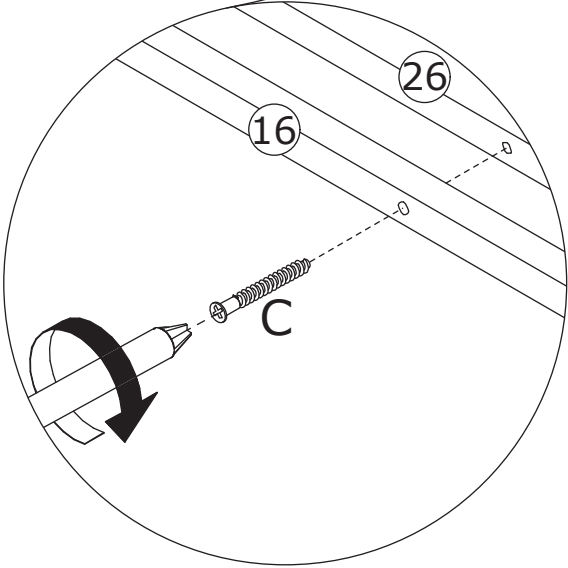
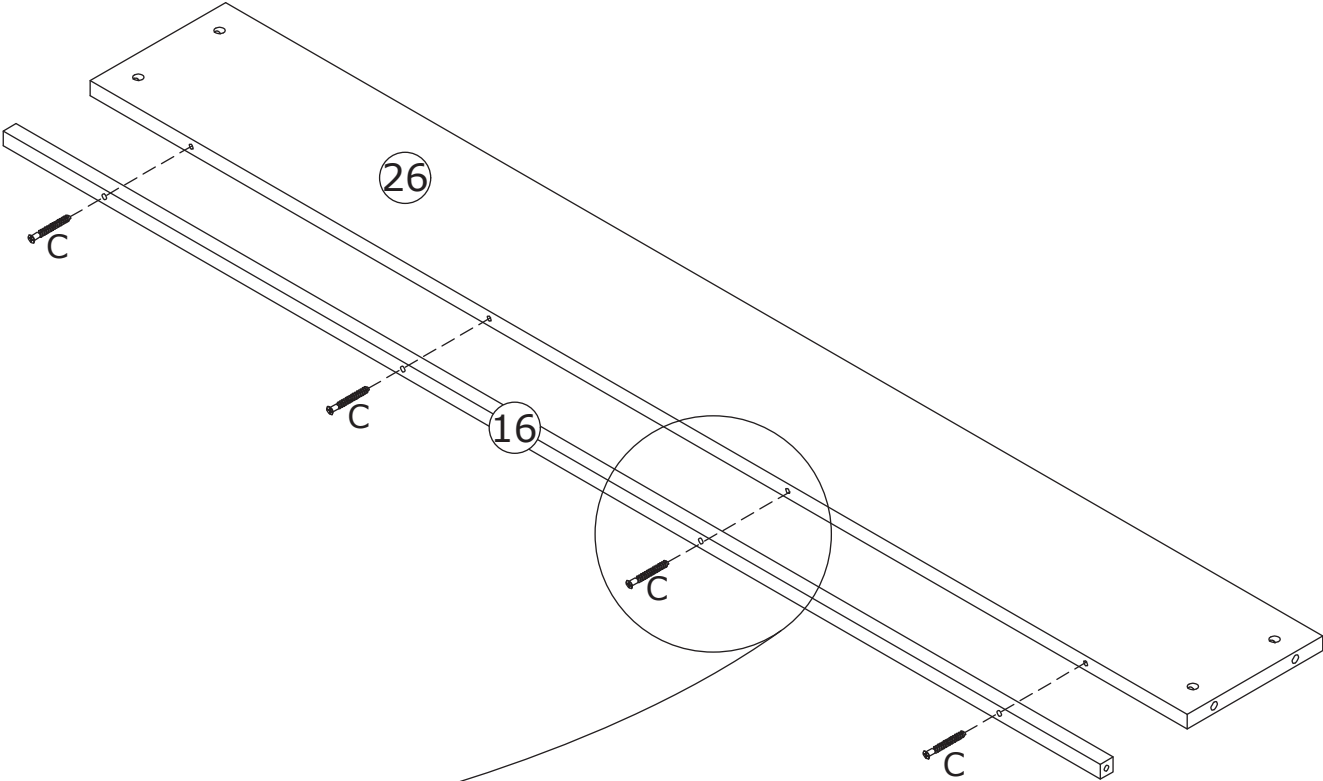


39

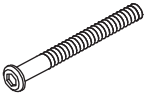

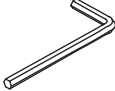
C x 4
M5 x 40 mm

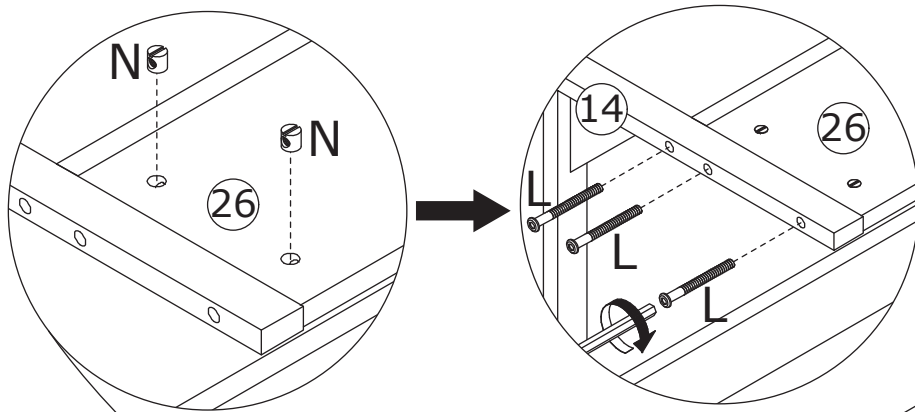


Secure Part 16 to Part 26 using screw (C).

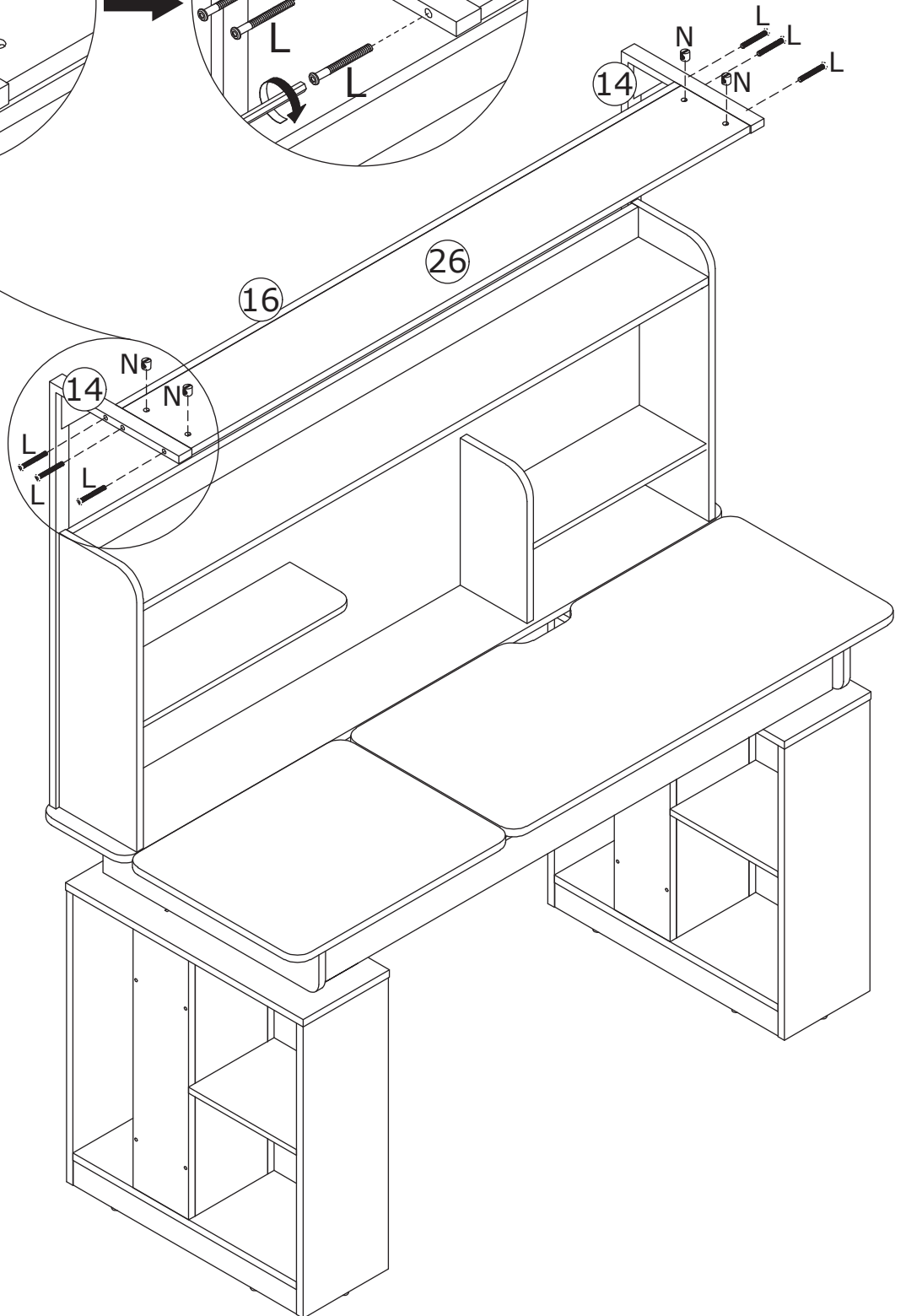


40

<p>L x 6 M6 x 60 mm</p> 	<p>N x 4 M6</p> 	<p>x 1 #4</p> 	
---	---	---	--

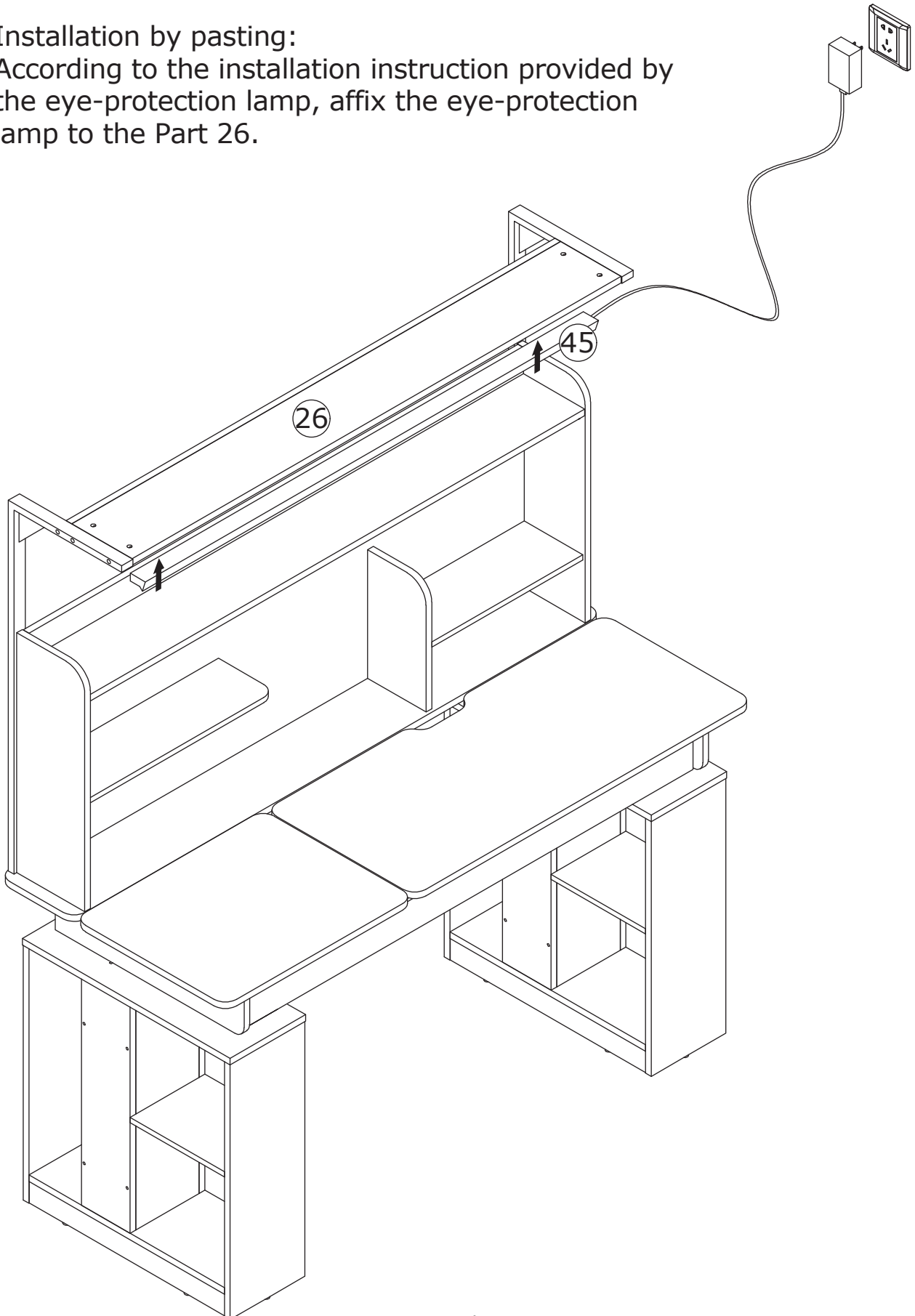


Put nut (N) into Part 26 first.
Secure Part 26 to Part 14 using screw (L).

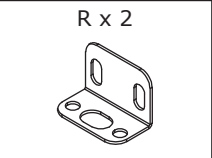
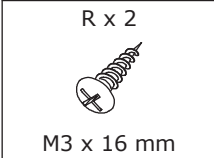


41

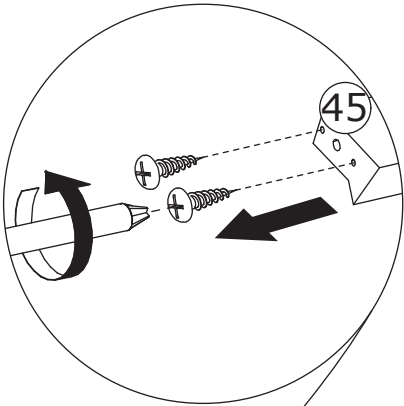
Installation by pasting:
According to the installation instruction provided by
the eye-protection lamp, affix the eye-protection
lamp to the Part 26.



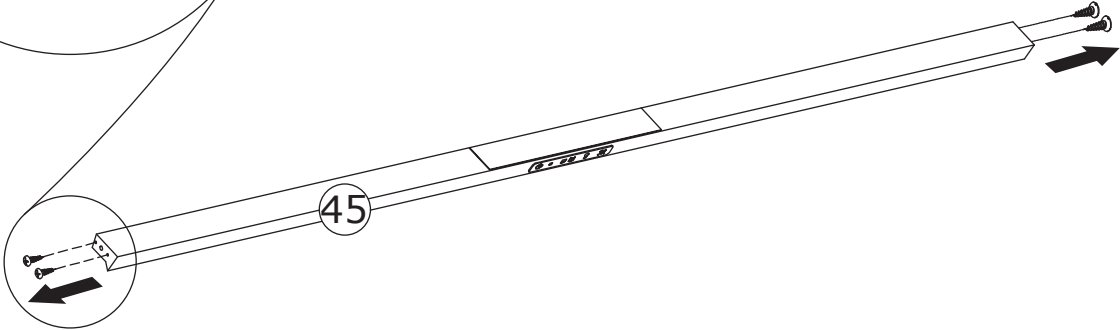
42



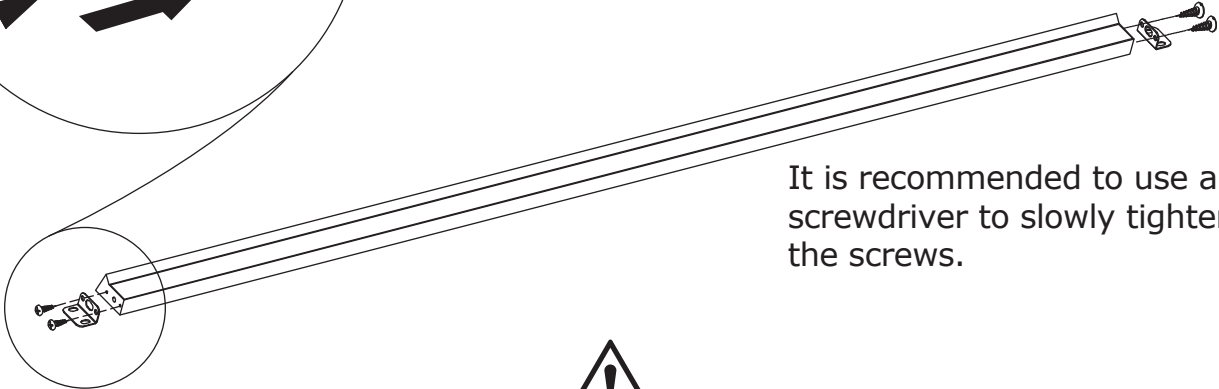
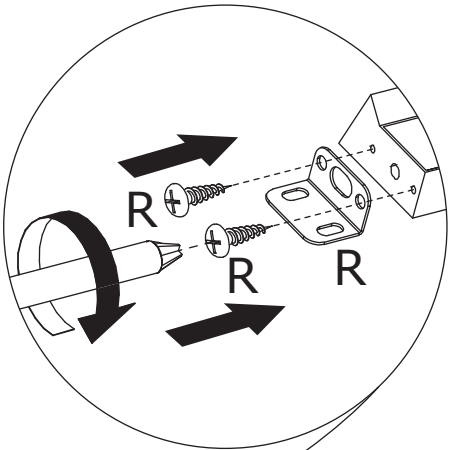
Install using screw fixation method:



Remove the screws from these two holes on both ends.



Replace with R screws and R iron sheets.



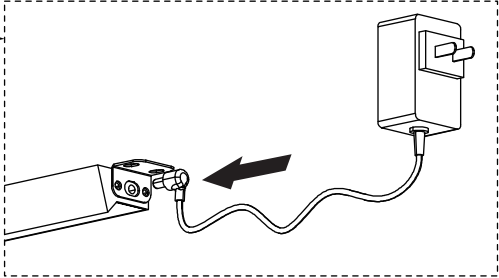
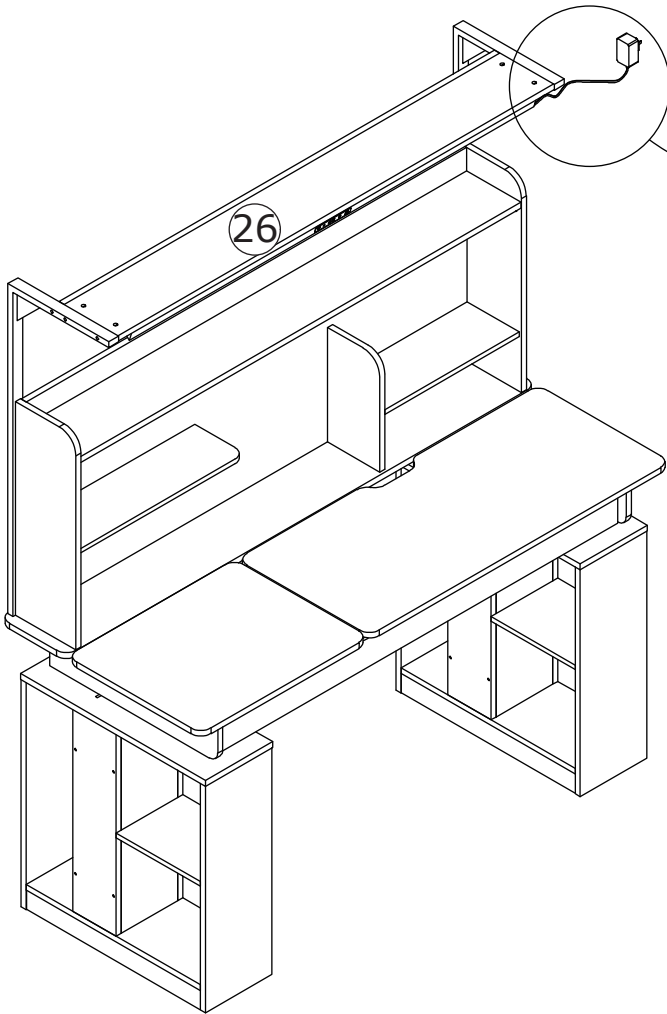
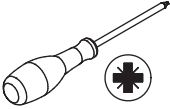
It is recommended to use a screwdriver to slowly tighten the screws.



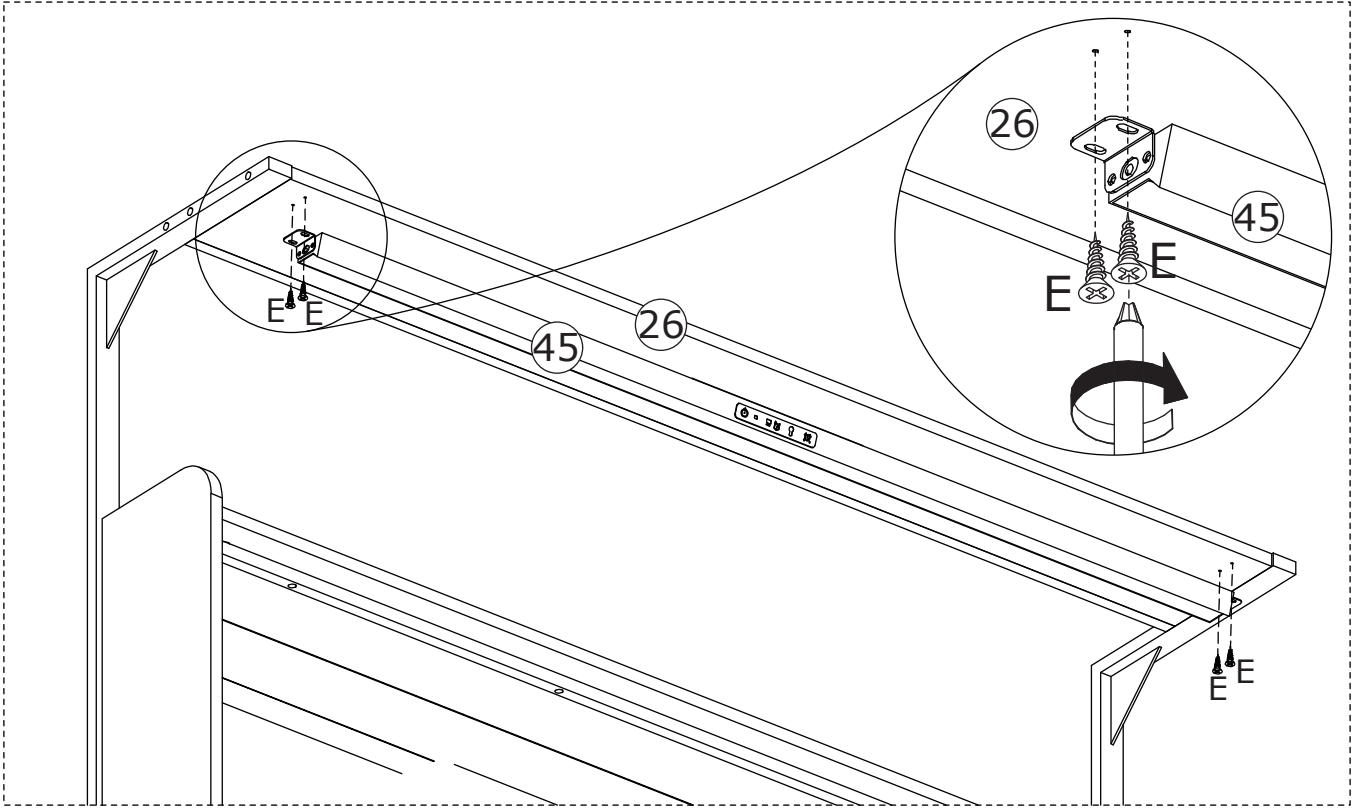
Pay attention to the direction.

43

E x 4
M3.5 x 12 mm



Secure light 45 to Part 26 using screw (E).



WARRANTY

WARRANTY CLAIMS

- There is a 30-day warranty for broken furniture or any other problems that do not work properly. The warranty will start from the date of purchase which must be verified by proof of purchase.
- Before making a claim, we may be able to answer your query, simply call us. Please leave your purchase order number, along with some details of the problem, if you want a replacement part. We will arrange within 48 hours. If there is out of stock, we will reply with a shipping date.
- The product must be used in accordance with the instructions provided. For health reasons.
- For other reasons, if the furniture needs to be returned, it must be cleaned and dried and operated within 30 days of receipt.

Type of Warranty Claim

- Failure to follow the furniture instructions will invalidate the warranty. Attention please.
- Does not include damage during installation, but includes damage during transportation.

Scope of responsibility

- Shall not bear any responsibility for misuse or user damage and / or loss of parts during the installation of furniture.
- After using, the damage and scratches of the furniture are not covered by the warranty.

The Warranty Relates to All Bought in The Us and Covers The Following Areas

- Sheet parts: 1 month from the date of purchase.
- Electrical parts: 1 month from the date of purchase.

RETURNS

CHANGED YOUR MIND AND NEED TO RETURN YOU ITEM?

PLEASE FOLLOW THE BELOW INSTRUCTIONS:

- If you have purchased and have simply changed your mind, follow the retailer's instructions for returns.

DEFECTIVE ITEMS

- If your item is defective in any way, i.e. it doesn't work but you can't identify why, in the first instance, please call us.

DAMAGED ITEMS

- If you receive an order with obvious shipping damage from the retailer, then we suggest the delivery is refused. If the delivery has been accepted and then shipping damage is found, please follow the specific instructions advised by the retailer.
In all circumstances please save all packaging material and paperwork for the order. Please be aware that if you dispose of packaging material or attempt to return the merchandise without contacting the fulfiller, you jeopardise your chances of making a claim, and you may not receive a credit for the return.

AFTER-SALES CONTACT



adelahu@fufugaga.com



208-820-0068