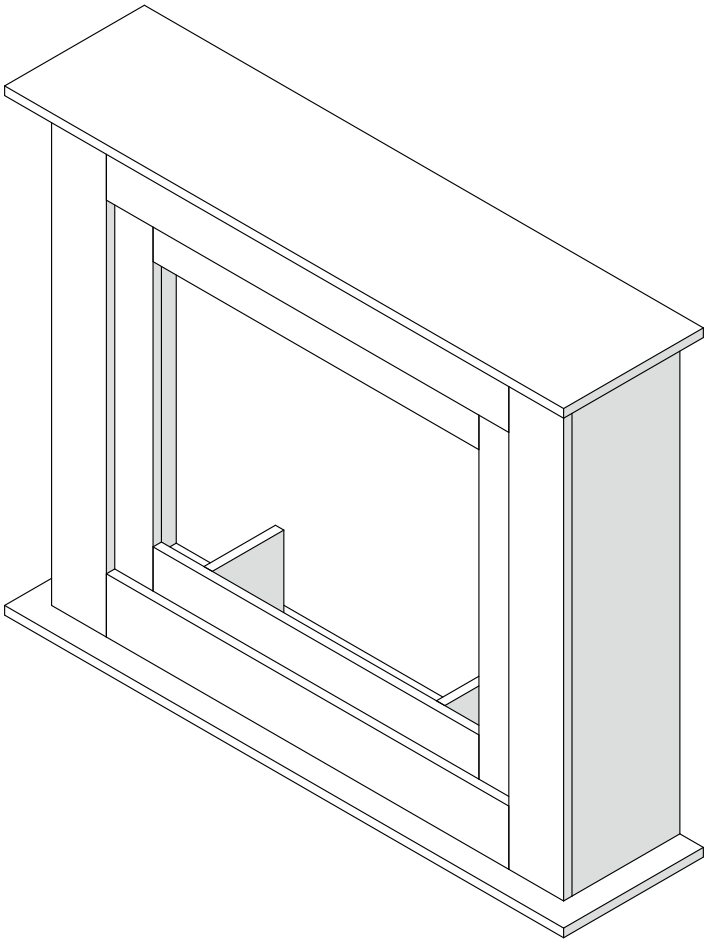
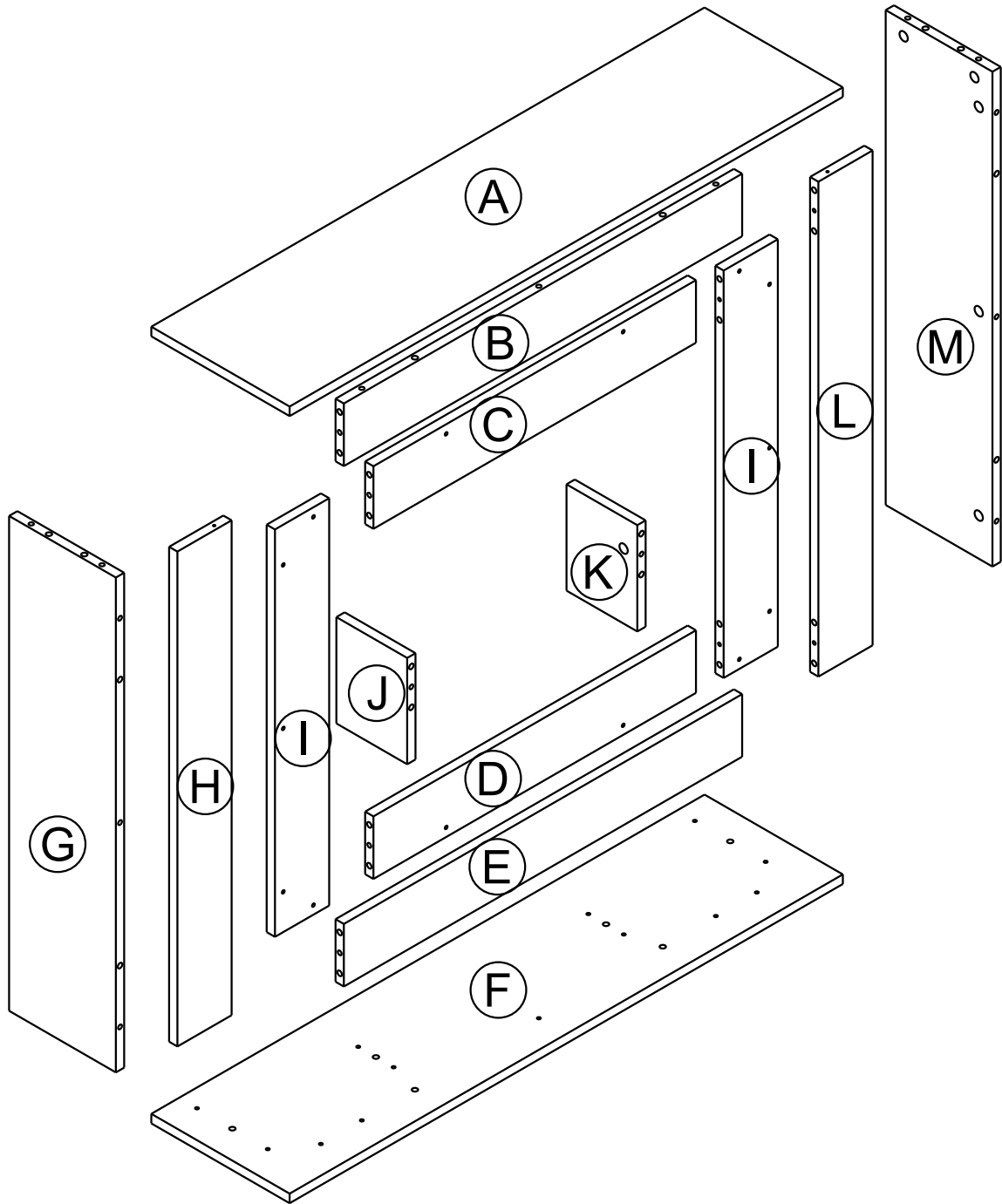


FIREPLACE MANTEL

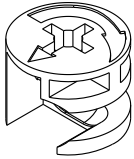
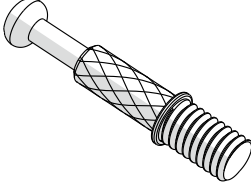
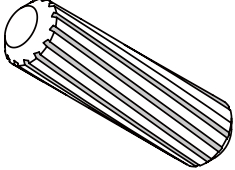
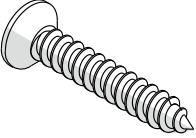
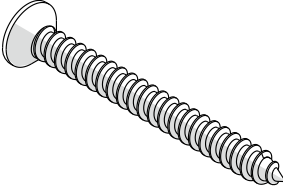

ASSEMBLY INSTRUCTIONS



PARTS LIST

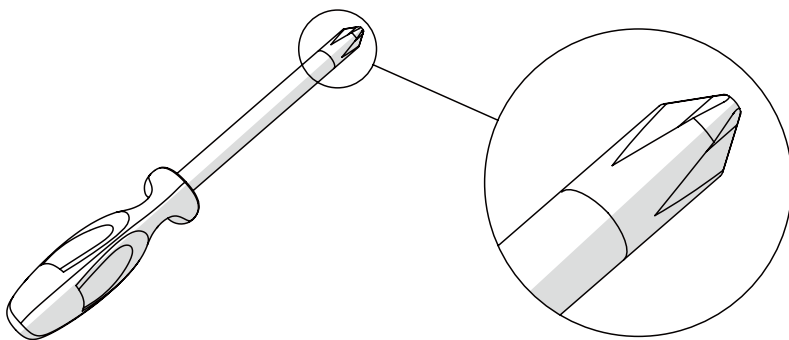


ACCESSORIES

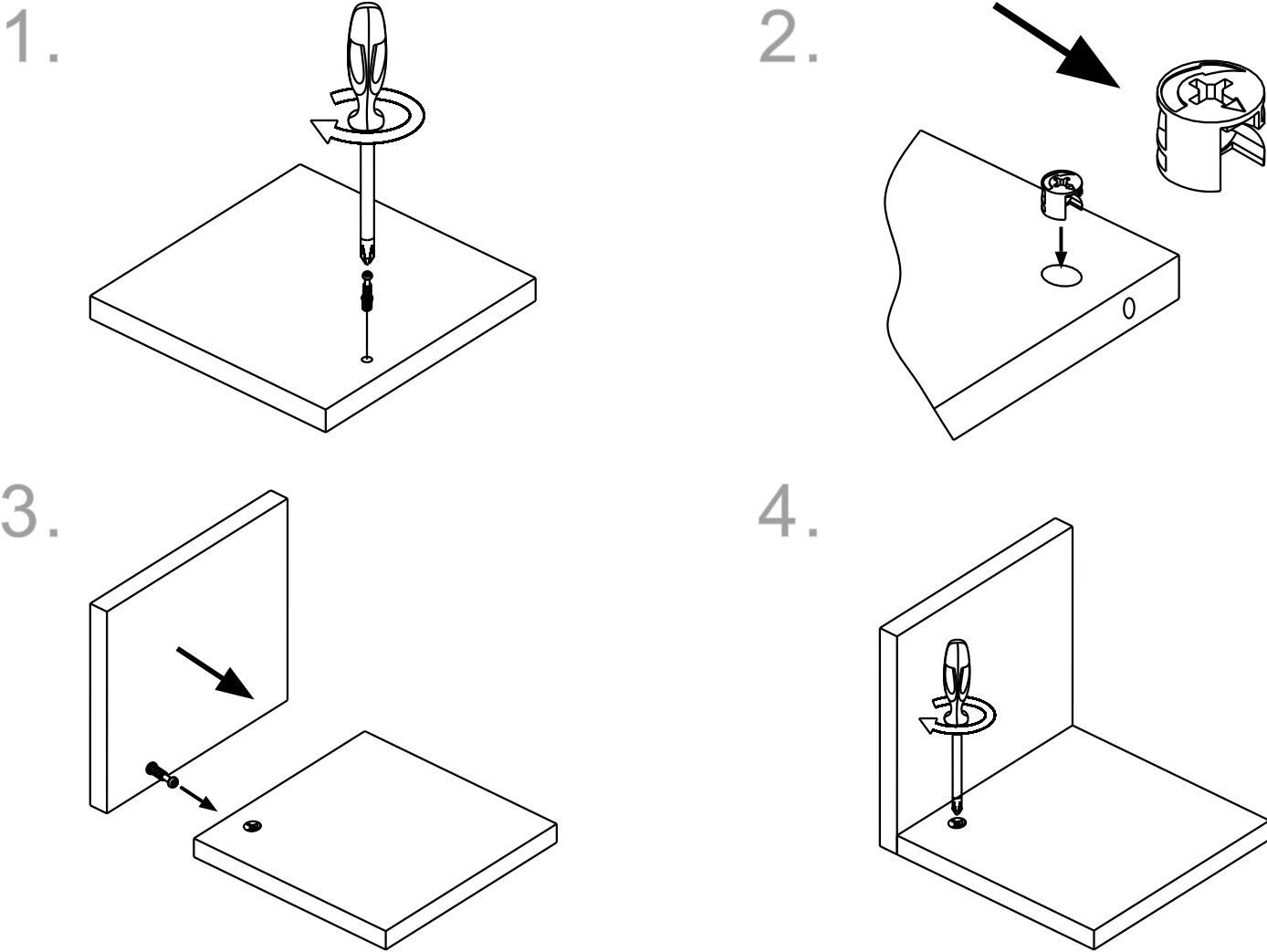
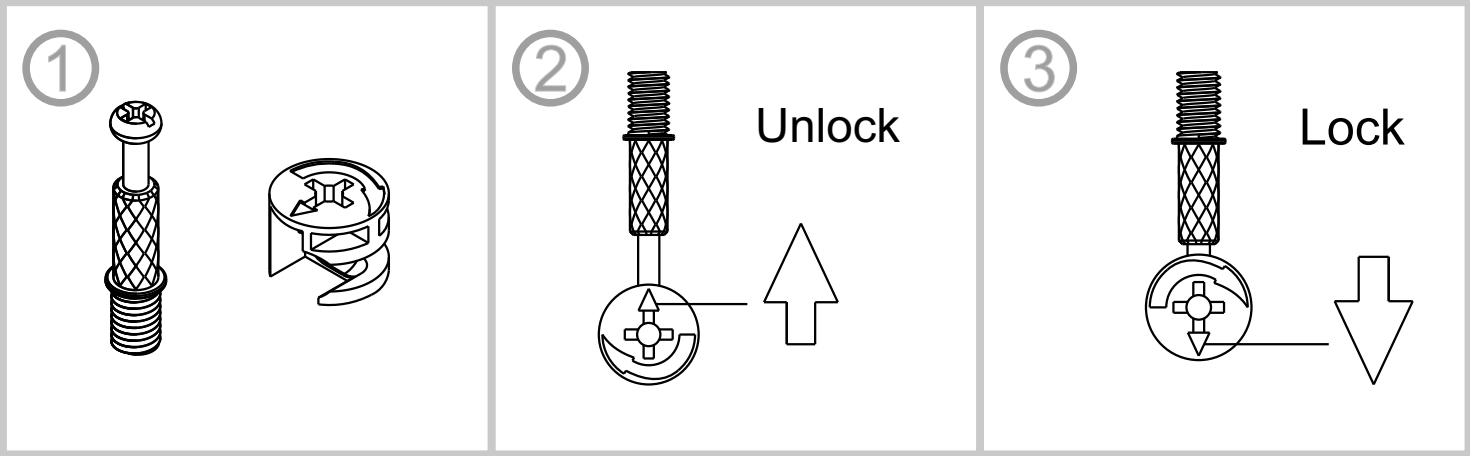
 cam lock x25+1	 cam bolt x25+1	 wood dowel x36+1
 screw ST4x25 x14+1	 screw ST4x40 x13+1	 pad x4+2

TOOLS REQUIRED

A screwdriver will be needed



CAM LOCK FASTENING SYSTEM

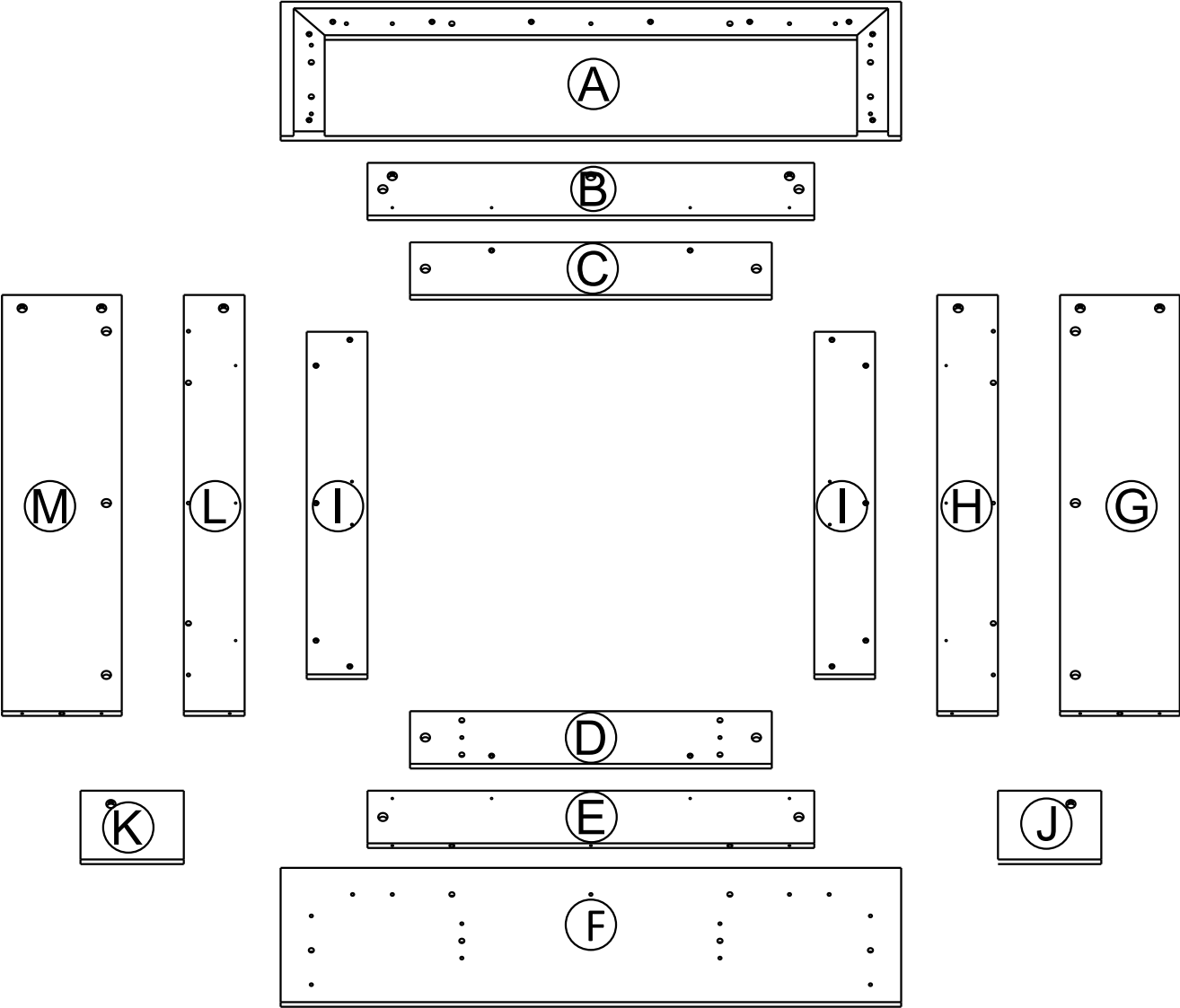


This cam lock fastening system will be used throughout the assembly process.

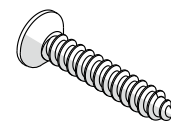
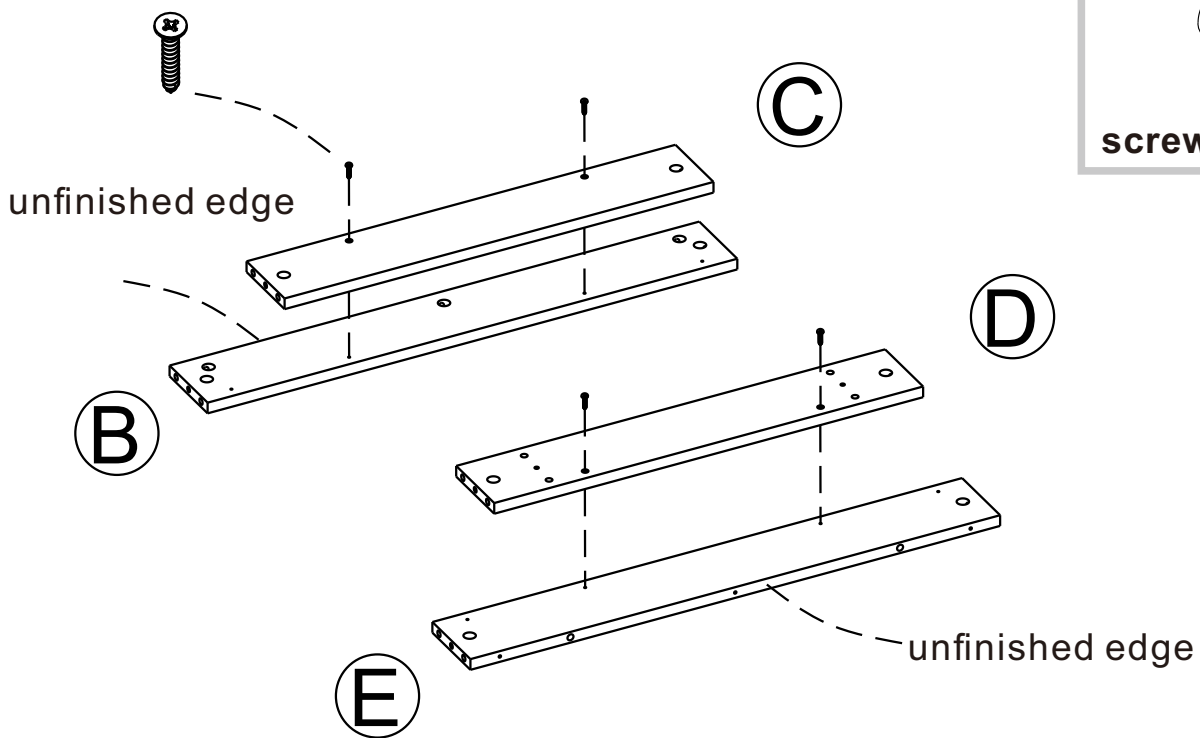
ASSEMBLY INSTRUCTIONS

STEP 1

Take out all the parts, as shown on the floor. Please pay attention to protect the board surface.

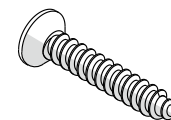
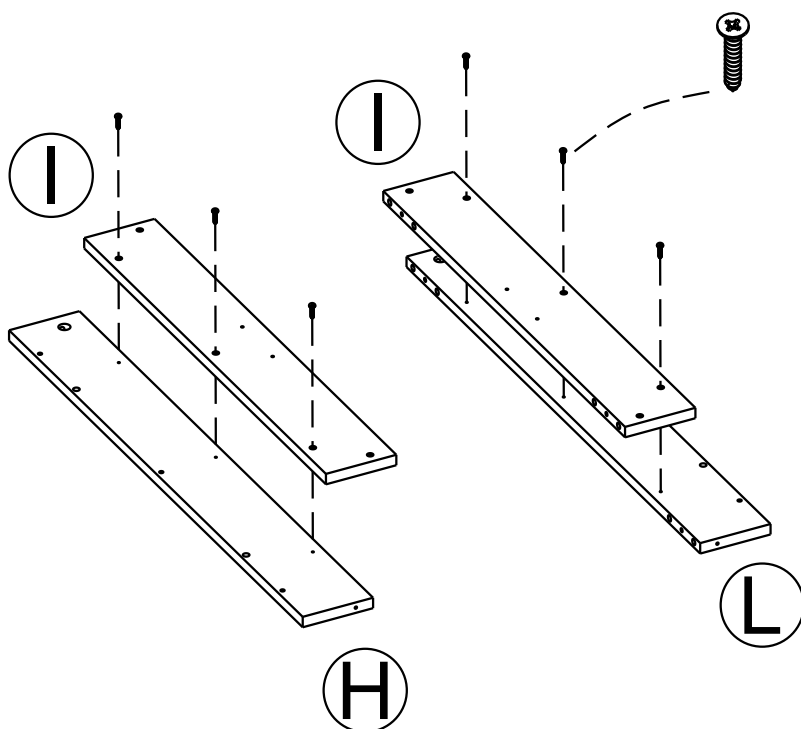


STEP 2



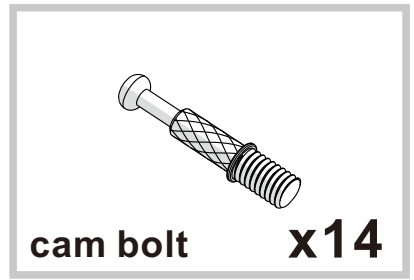
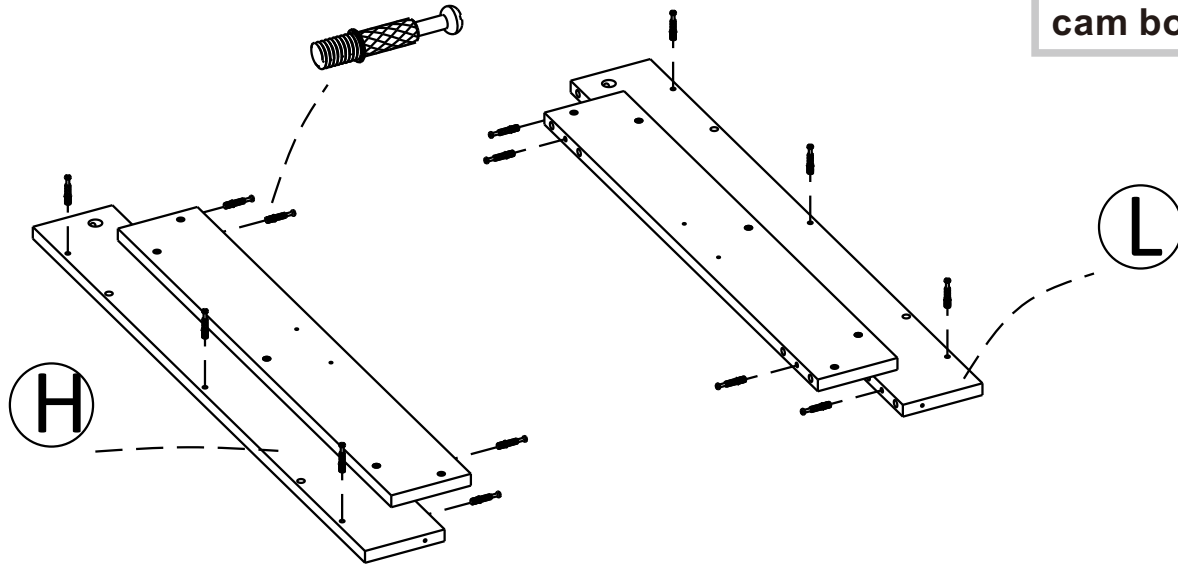
screw ST4x25 x4

STEP 3

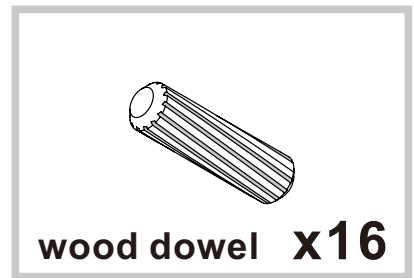
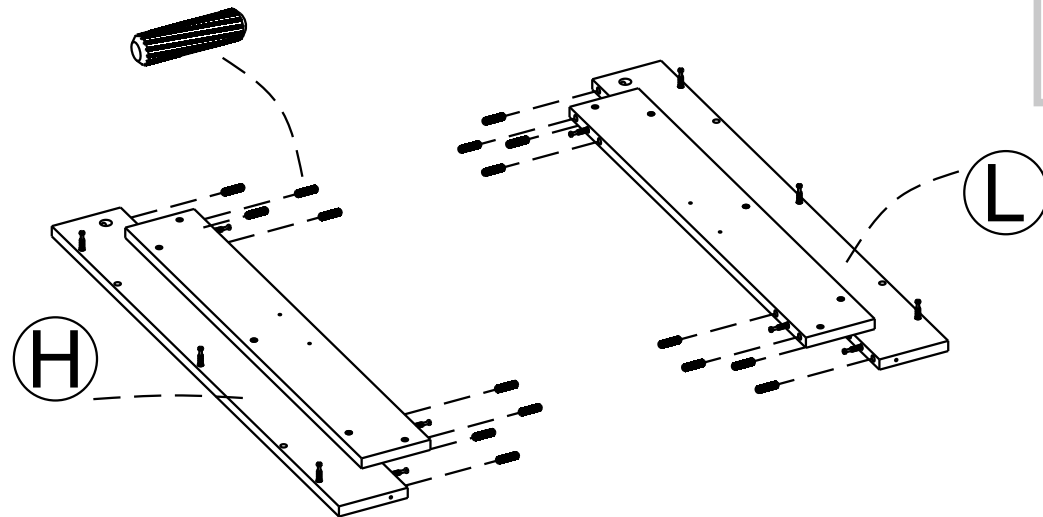


screw ST4x25 x6

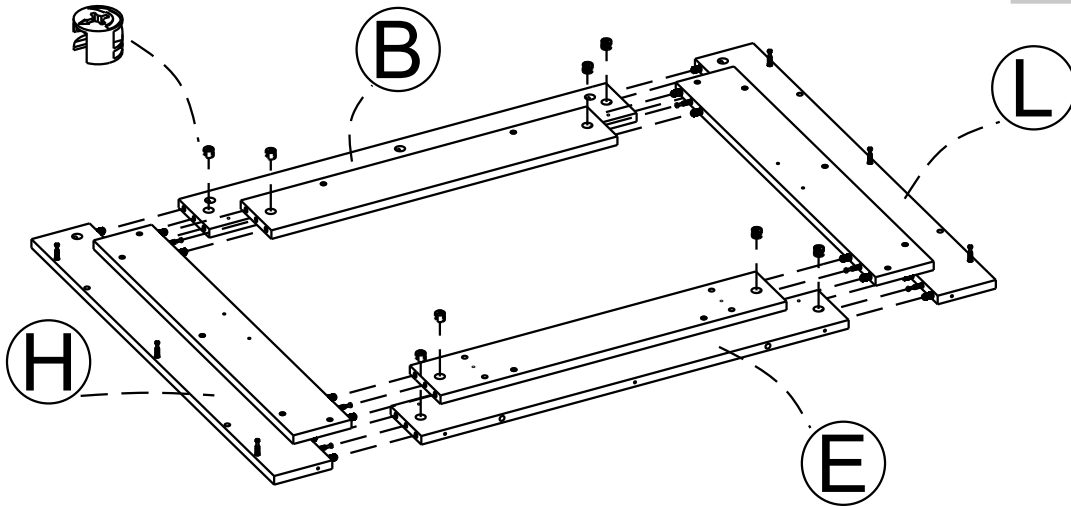
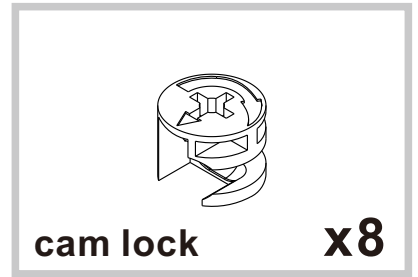
STEP 4



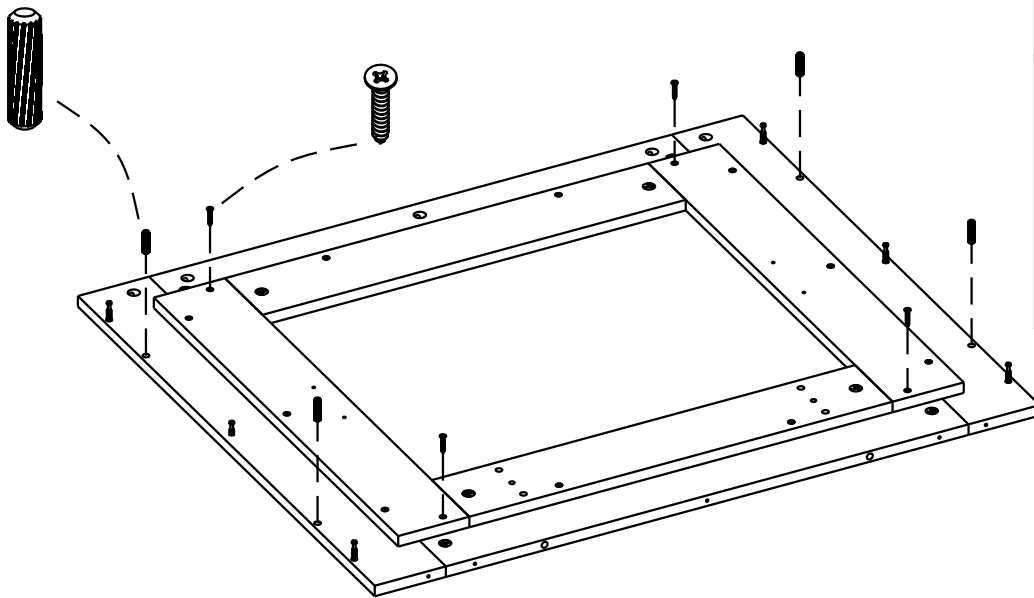
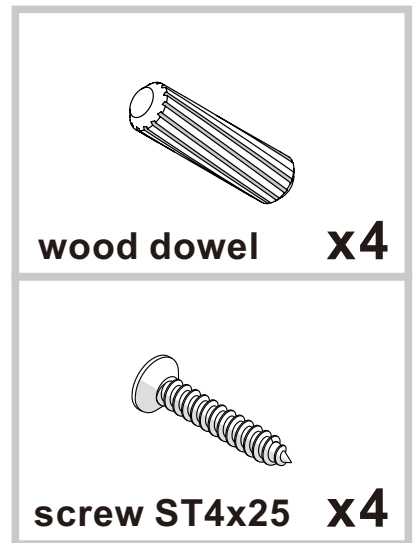
STEP 5



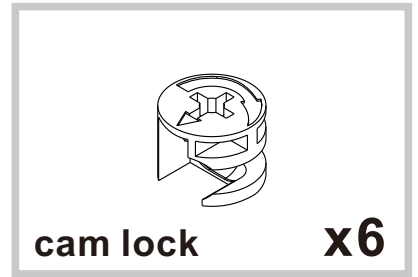
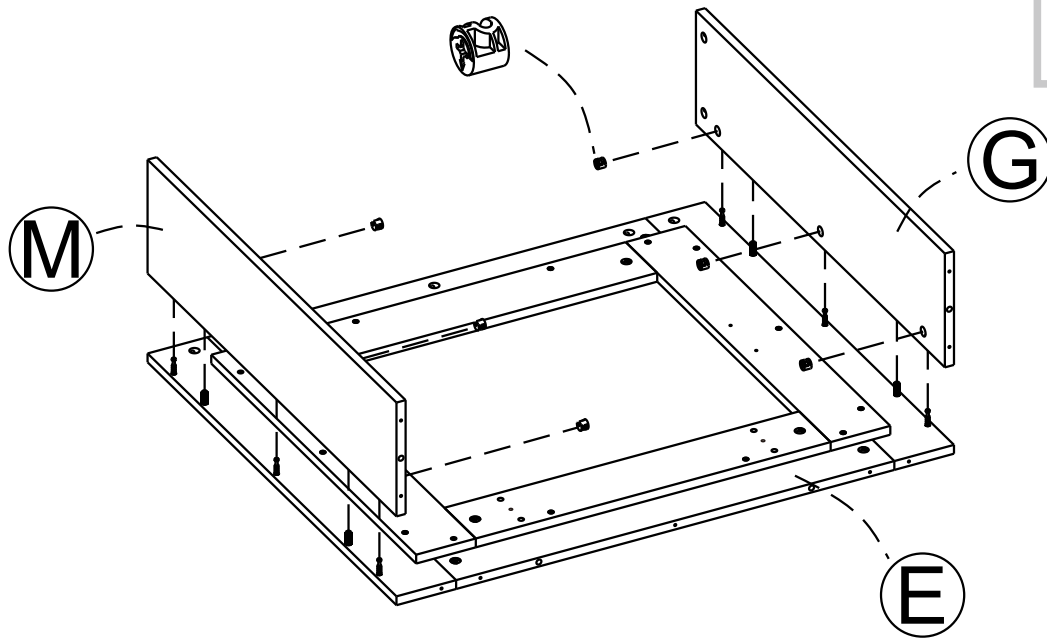
STEP 6



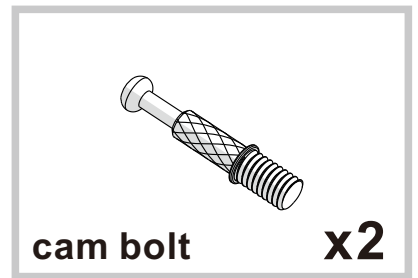
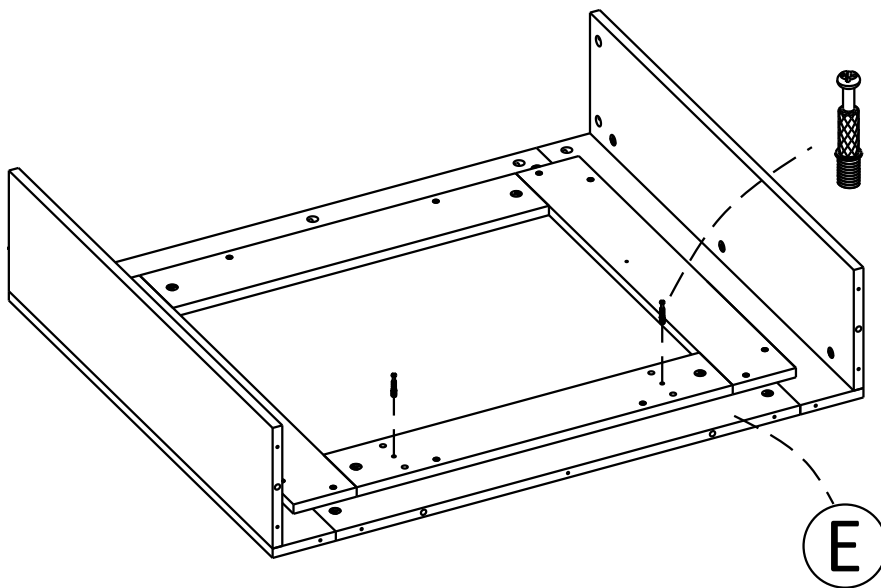
STEP 7



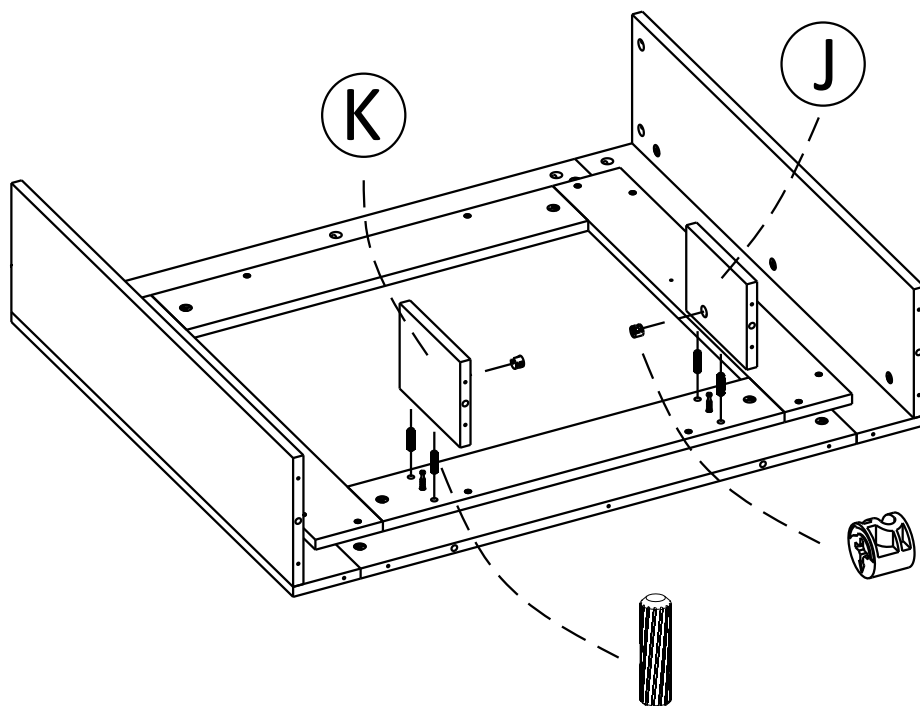
STEP 8



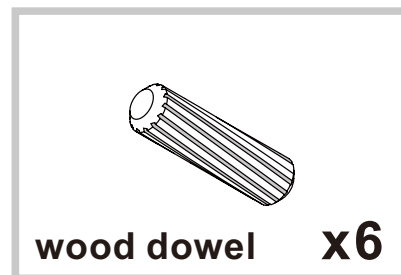
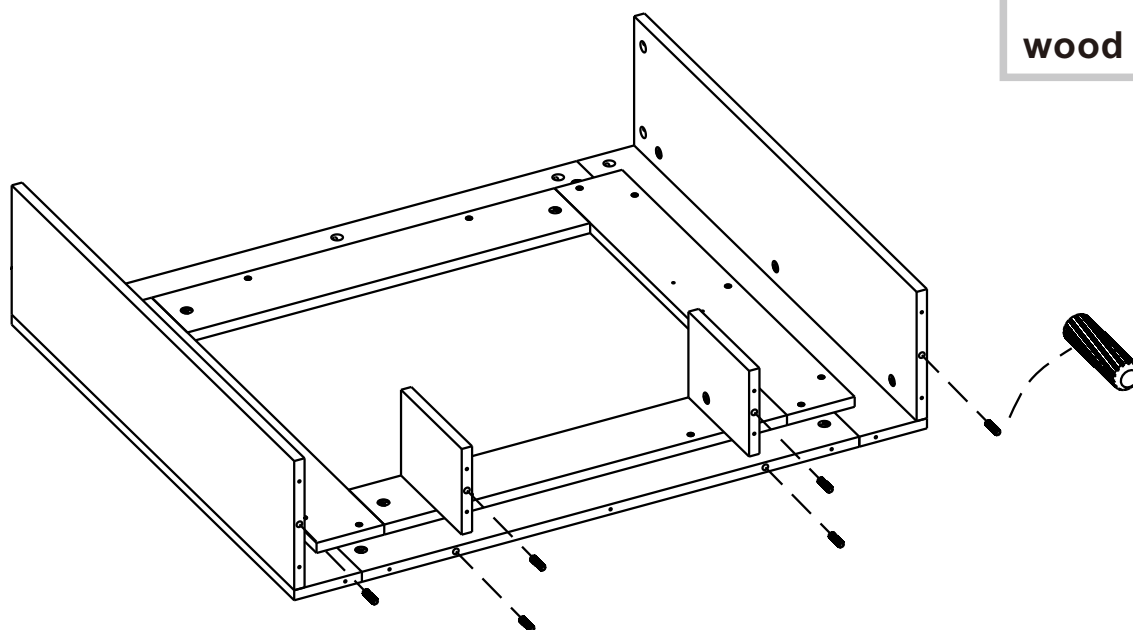
STEP 9



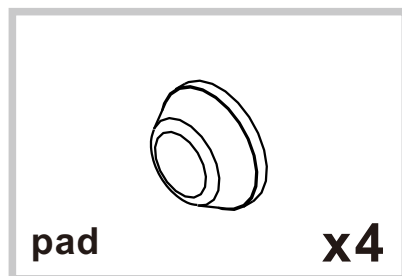
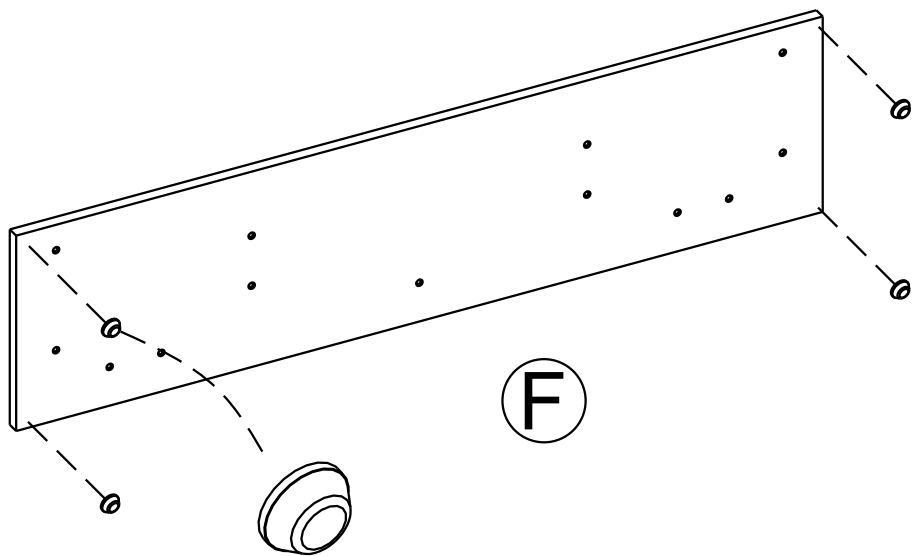
STEP 10



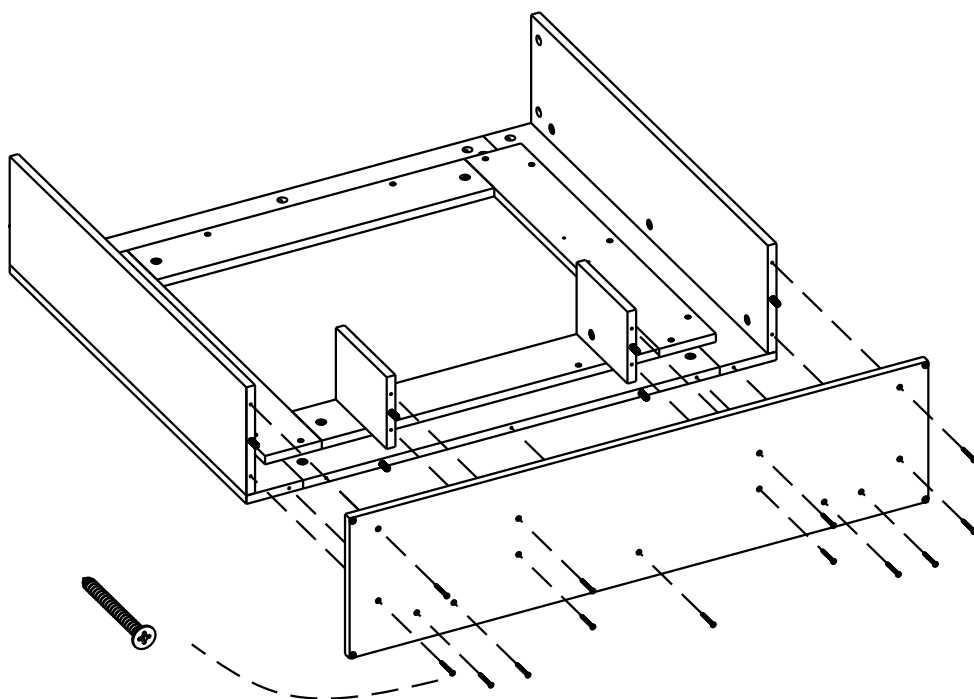
STEP 11



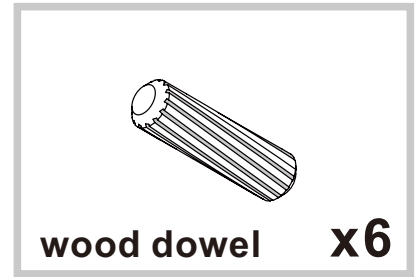
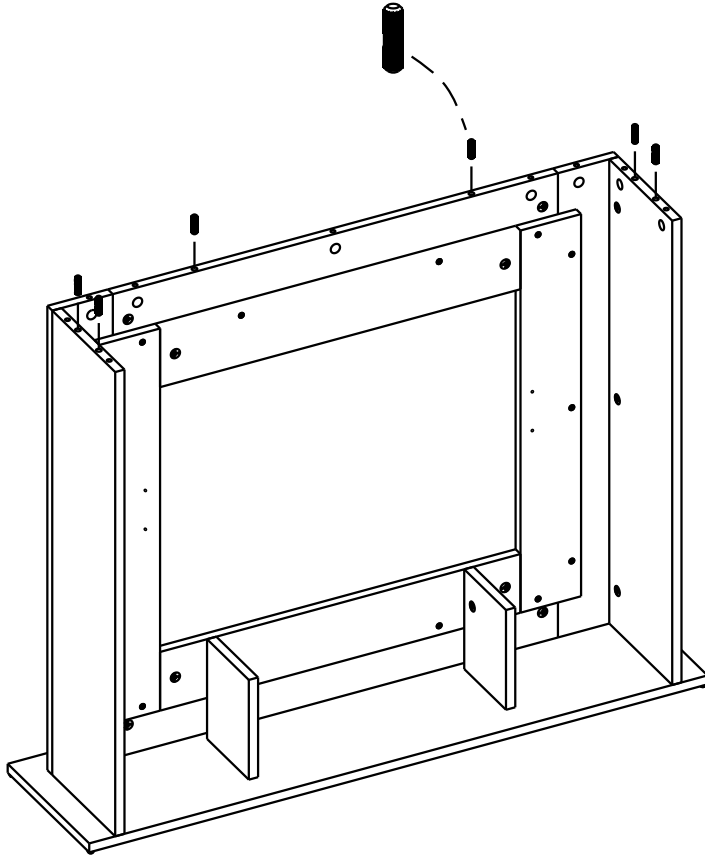
STEP 12



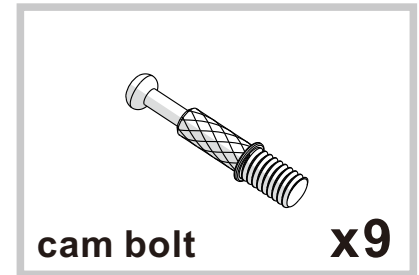
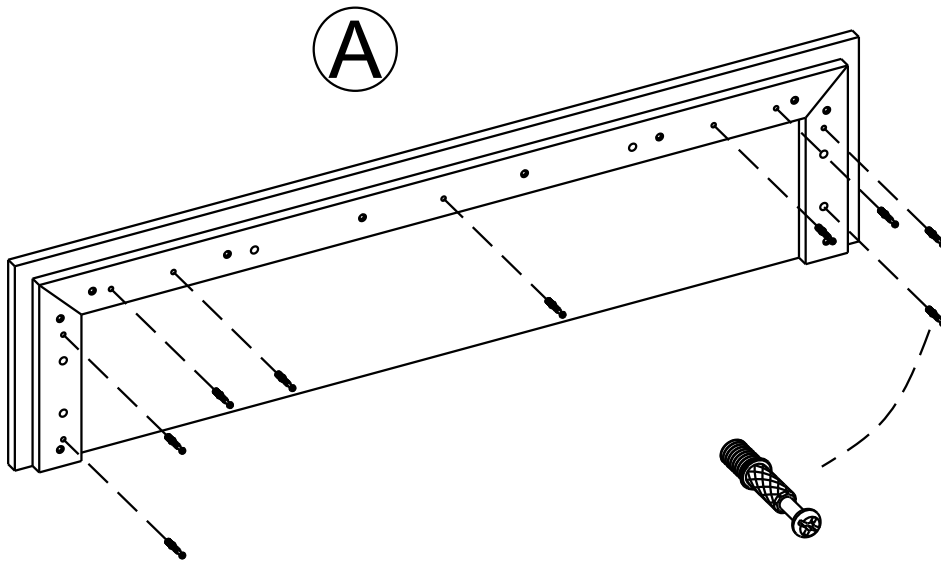
STEP 13



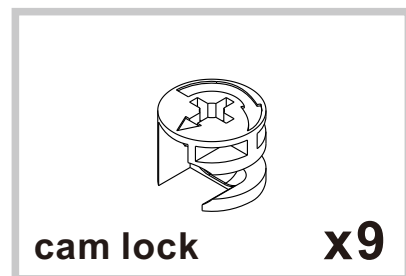
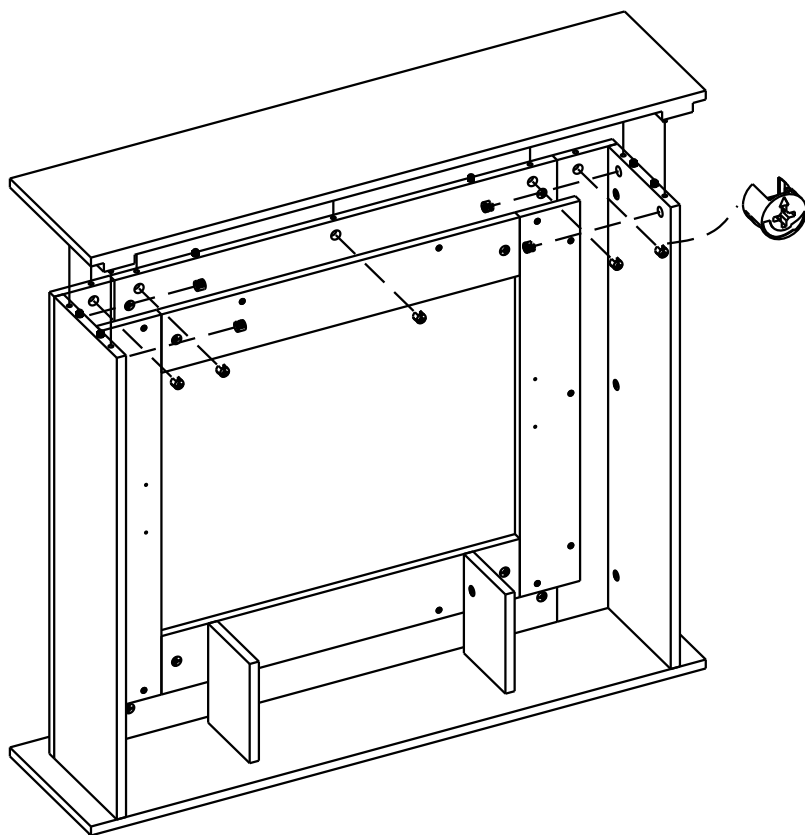
STEP 14



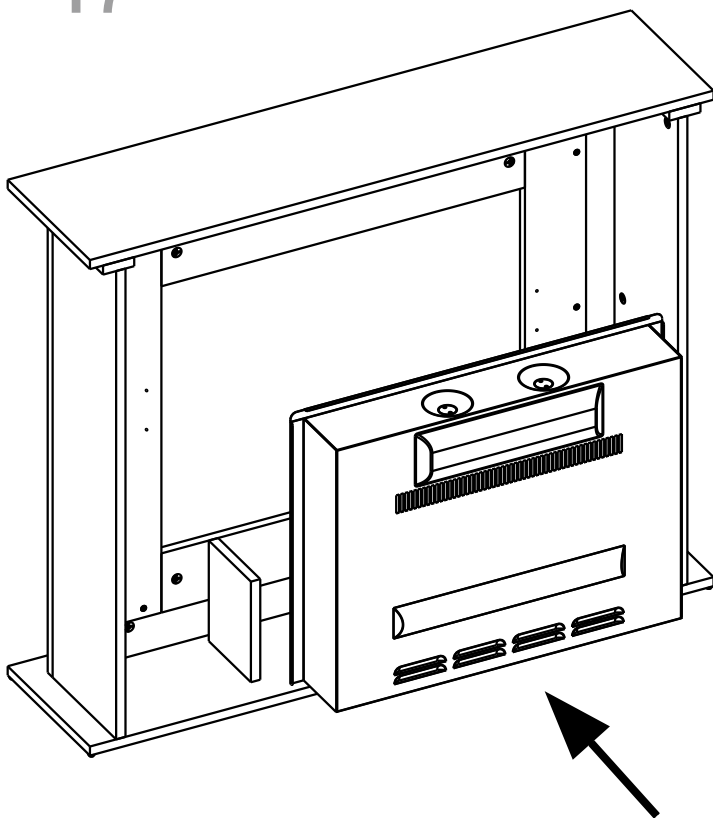
STEP 15



STEP 16

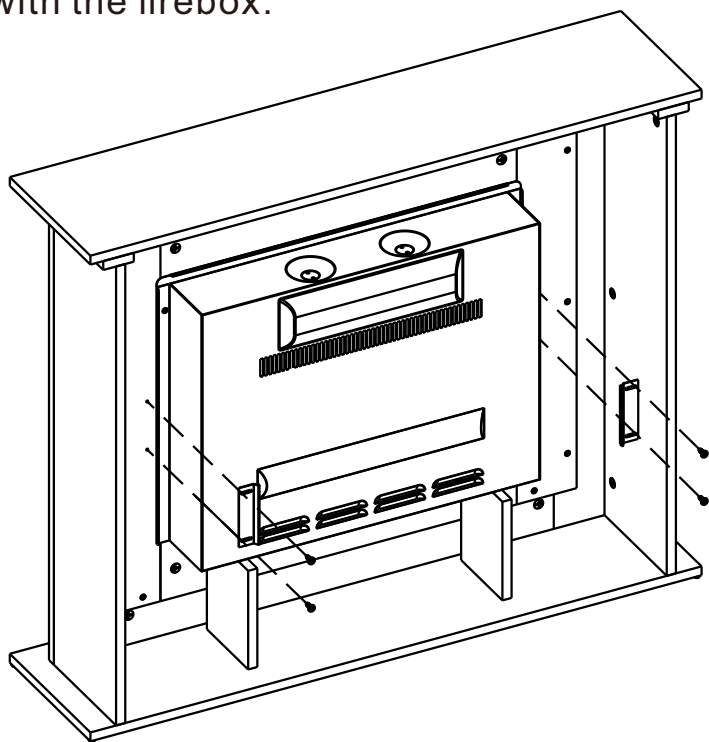


STEP 17



STEP 18

Fix the fireplace to the mantel with two brackets and four ST3.5x12mm screws packed with the firebox.



STEP 19

The assembly is completed now.

