

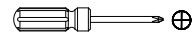
ASSEMBLY INSTRUCTIONS

ASSEMBLY REQUIREMENTS

2-Person
Assembly

2 Hours
Assembly Time
(Approximate)

Tools Required
(Not Provided)

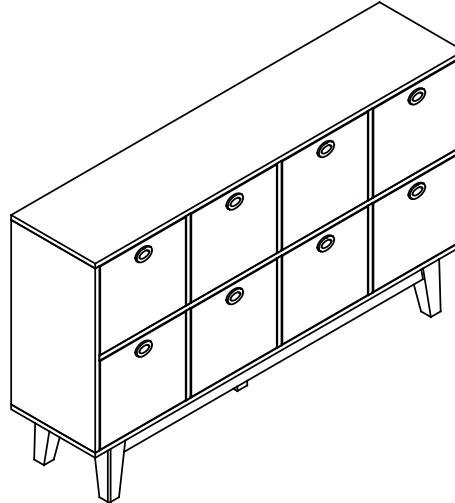


Phillips Screwdriver



Flat Screwdriver

Thank you for purchasing our product!



ASSEMBLY PREPARATION

1. Remove all packaging materials, staples and packing straps from the carton.
2. Refer to Parts List and Hardware List, and ensure parts and hardware are correct before assembly. Contact customer service for missing parts.
3. Place all wooden parts on a clean, flat and soft surface (e.g. carpet or rug) to prevent scratch and damage to parts.

SAFETY PRECAUTION

1. KEEP ALL HARDWARE PARTS OUT OF REACH OF CHILDREN.
2. DISPOSE PLASTIC PACKAGING MATERIAL IMMEDIATELY TO AVOID ANY RISK OF SUFFOCATION TO CHILDREN AND ANIMALS.

TIPS FOR ASSEMBLY

1. Allow ample room for assembly and in close proximity to where product will be placed.
2. Assemble the product on a surface that does not scratch or damage the exterior gloss and finish of the furniture.
3. Identify all of the parts, hardware and quantities required for each step.
4. During assembly, do not over-tighten any fittings as this may cause damage.
5. DO NOT USE POWER TOOLS TO ASSEMBLE THIS PRODUCT.
6. Always place the product on a flat, level surface.
7. Do not sit or stand on the partially assembled product; only use the product for which it is intended.

CARE AND MAINTENANCE

- Use a slightly damp cloth to clean the product. Do not use bleach or abrasive cleaning material.
- Check all the fittings periodically and re-tighten as necessary. Do not use the product if any of the parts is damaged or broken.
- Never allow any kind of liquid to remain on your furniture. Absorption can cause wood to warp or delaminate.
- Do not place hot items (e.g. hot drinks) directly onto the wood surface.
- Do not drag and/or pull the furniture.

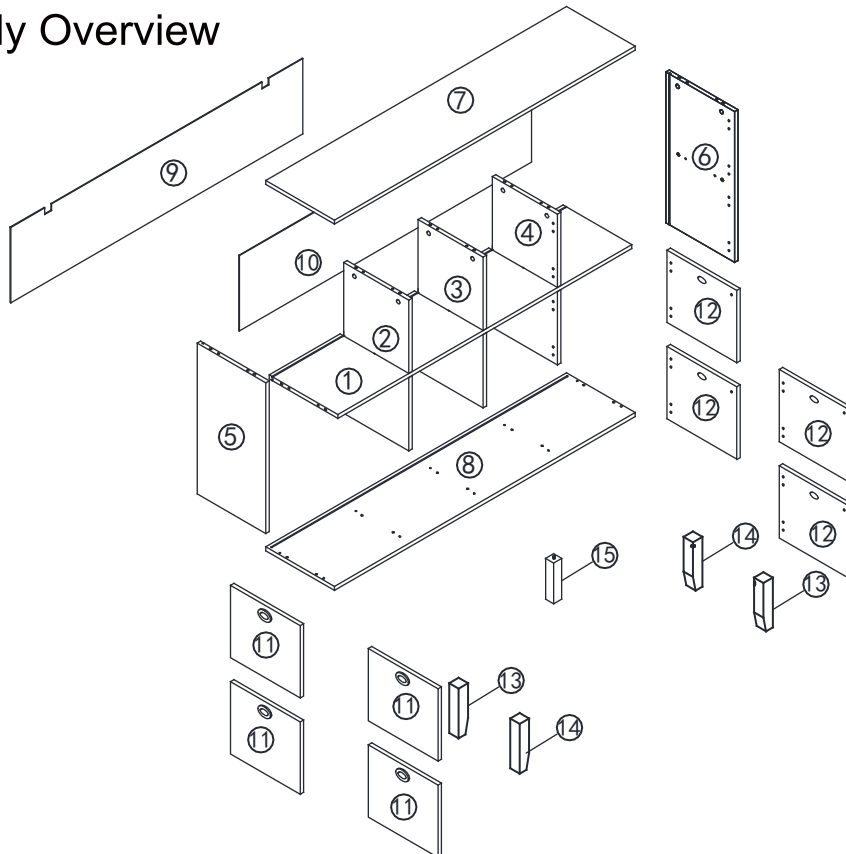
This product is for indoor and household use only - not for commercial use.

ASSEMBLY INSTRUCTIONS

PARTS LIST

Part #	Part Name	Quantity
(1)	Middle Panel	1
(2)	Left Vertical Panel	1
(3)	Middle Vertical Panel	1
(4)	Right Vertical Panel	1
(5)	Left Panel	1
(6)	Right Panel	1
(7)	Top Panel	1
(8)	Cabinet Bottom	1
(9)	Top Back Panel	1
(10)	Bottom Back Panel	1
(11)	Left Door	4
(12)	Right Door	4
(13)	Wooden Legs	2
(14)	Wooden Legs	2
(15)	Support Leg	1

Parts Assembly Overview



ASSEMBLY INSTRUCTIONS

HARDWARE LIST



Ax14PCS

Cam-bolt



Bx14PCS

Cam-lock



Cx24PCS

Wood Dowel
M6x30MM



Dx4PCS

Bolt
M6x50MM



Ex4PCS

Spring Washer



Fx4PCS

Washers



Gx1PC

Allen Key



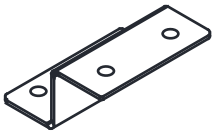
Hx24PCS

Screw
M3x14MM



Ix8PCS

Magnetic Catch



Jx16PCS

Hinge



Kx72PCS

Screw
M3x12MM



Lx8PCS

Metal Clasp



Mx12PCS

Screw
M4x35MM



Nx2PC

Screw
M4x10MM



Ox2PC

Safety Strap
L157xW25MM



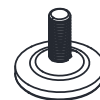
Px2PC

Plastic Wall
Anchor



Qx8PCS

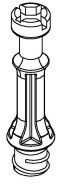
Panel Stopper



Rx1PC

Adjustable Pad

INSTRUCTIONS FOR CAM-BOLT & CAM-LOCK

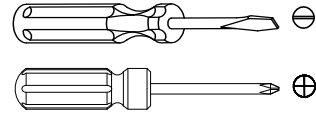


CAM-BOLT



CAM-LOCK

Tools Required



INSERTING AND TIGHTENING CAM-BOLT

Place Cam-bolt on pre-drilled hole and screw in vertically

Shoulder is flushed (on the same level) with the panel.

Shoulder is above the panel.

Place Cam-bolt on the designated pre-drilled hole on the panel. Use a Phillips Screwdriver to screw-in Cam-bolt vertically until shoulder is flushed (on the same level) with panel.

INSERTING CAM-LOCK

Insert Cam-lock with arrow align to Cam-bolt head

CORRECT

WRONG

Align the arrow on the Cam-lock to the Cam-bolt head and insert the Cam-lock. Ensure Cam-lock is fully inserted.

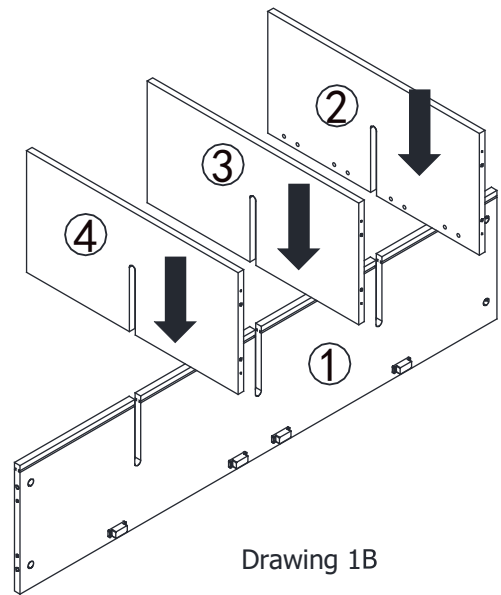
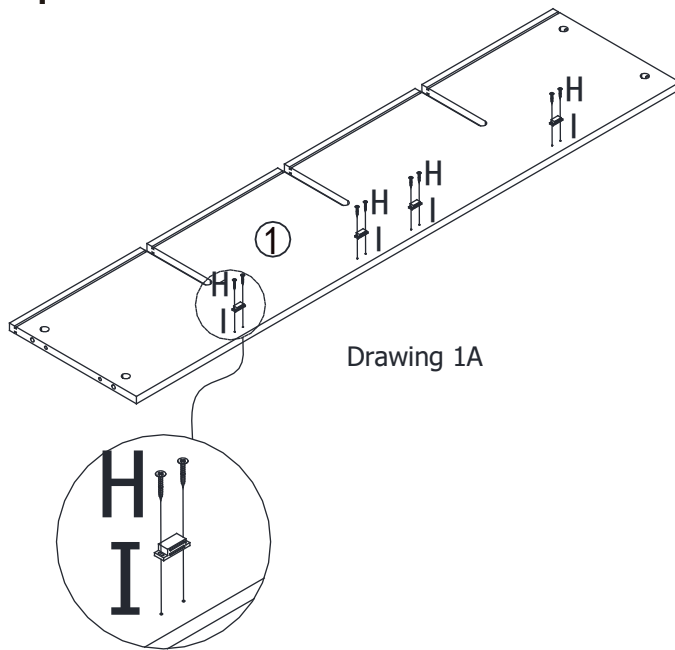
TIGHTENING CAM-LOCK



Use a Flat-head Screwdriver to turn Cam-lock clockwise so it locks onto the head of the Cam-bolt. Turn until it is snug (about 3/4ths of a turn) -- over-tightening could damage Cam-lock or/and Cam-bolt.

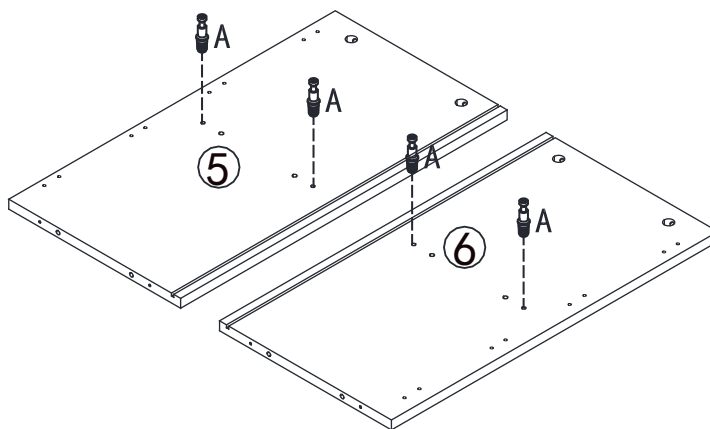
ASSEMBLY INSTRUCTIONS

STEP 1



- Refer to Drawing 1A - Place Middle Panel (1) bottom-side up on a material that does not scratch its surface and locate pilot holes along the continuous edge of (1) for Magnetic Catch (I).
- Use a Phillips Screwdriver to drive Screw (H) to affix (I) to (1). Do not tighten the screws until both screws are in place.
- Refer to Drawing 1B - Fit Left, Middle and Right Vertical Panels (2,3 & 4) perpendicular to Middle Panel (1) by inserting into the slots on the respective panels. (Note: the direction of the holes for Cam-locks on (2, 3 & 4) for correct orientation of the Panels.

STEP 2

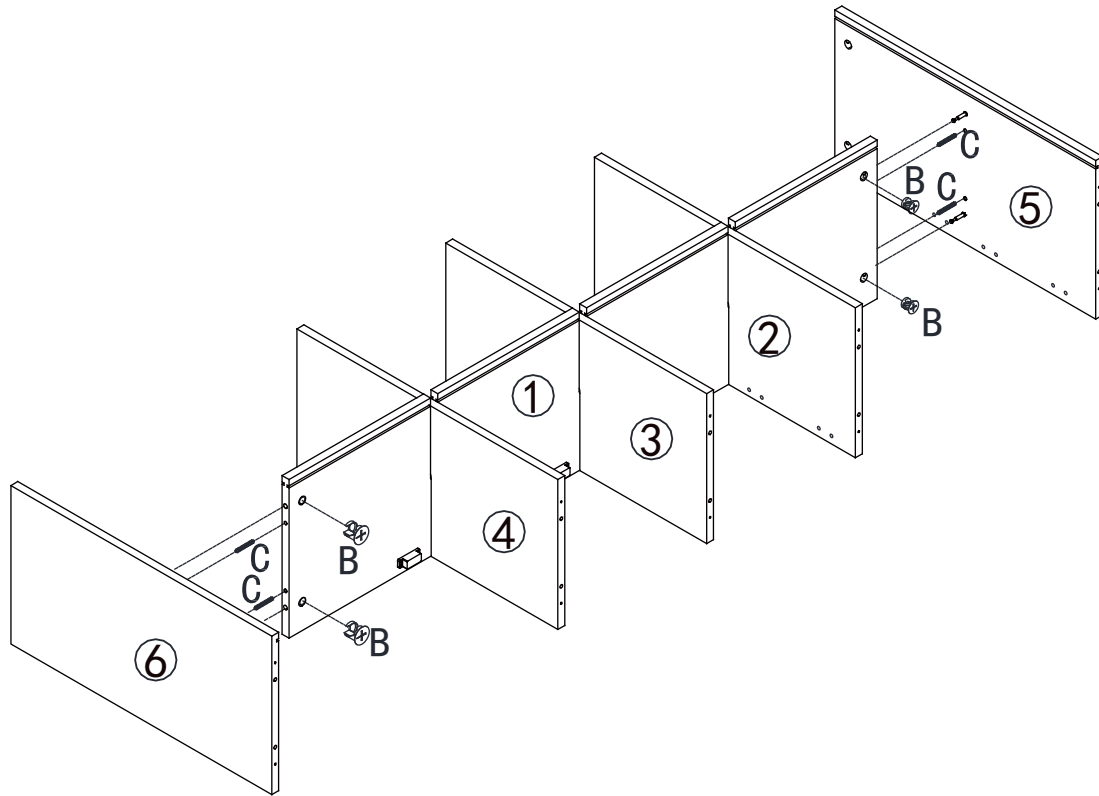


Place Left Panel (5) and Right Panel (6) with the inside-face facing up on a material that does not scratch its exterior surface and screw in Cam-bolt A into the designated holes as shown.

Refer to Page 4 for instructions on inserting and tightening cam-bolt.

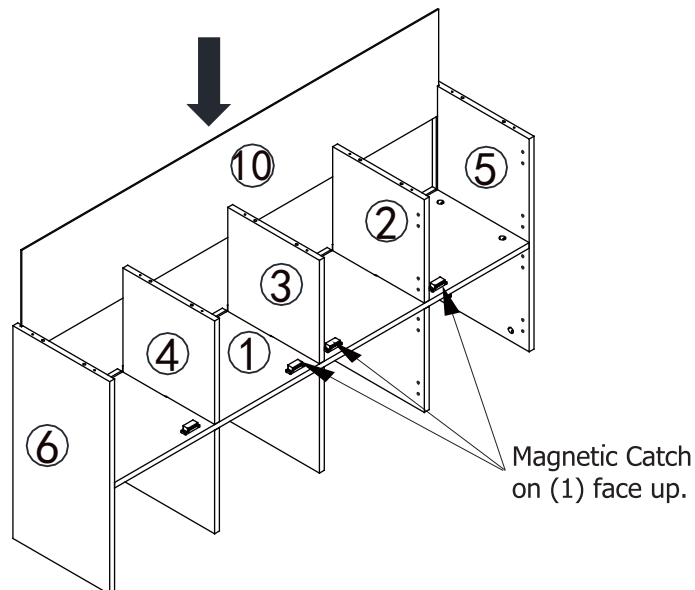
ASSEMBLY INSTRUCTIONS

STEP 3



- On Left Panel (5), insert Wood Dowel (C) into the designated holes in the middle 2 holes between the cam-bolts.
- Attach (5) to left edge of Middle Panel (1) via cam-bolts and wood dowels on (5).
- Insert Cam-lock (B) into the designated holes along the left edge of (1), and turn clockwise to lock onto cam-bolt. Refer to Page 4 for instructions on inserting and tightening cam-lock.
- Use the procedures above to install Right Panel (6) to the right edge of Middle Panel (1).

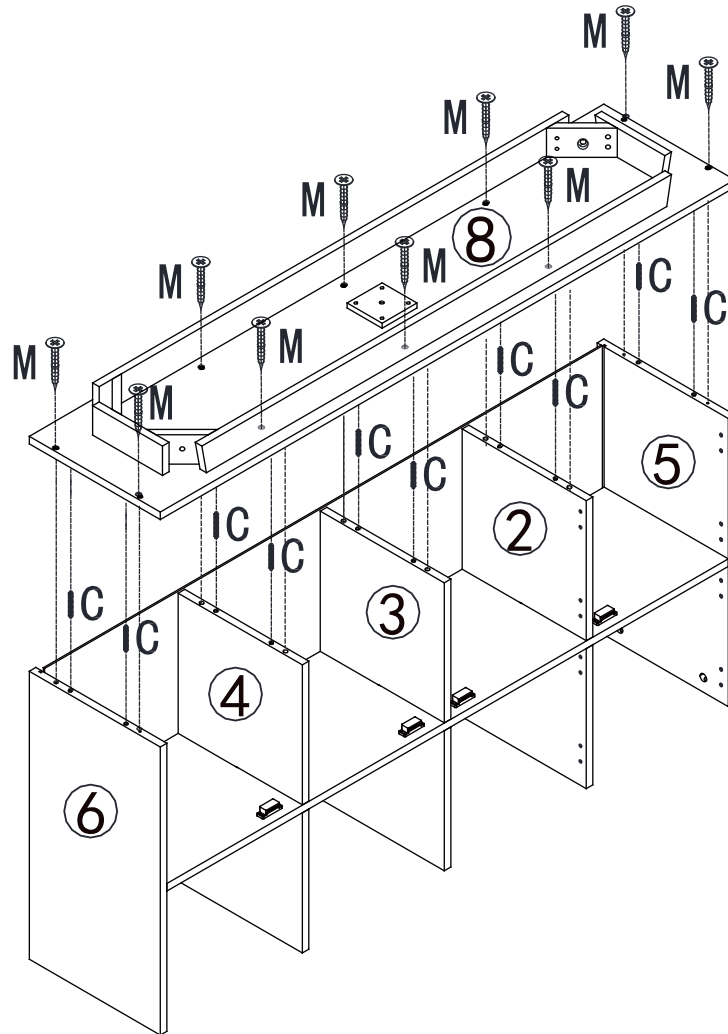
STEP 4



- Set the panel assembly from STEP 3 vertically as shown.
Note: the Magnetic Catch on Middle Panel (1) have to face up.
- Fit Bottom Back Panel (10) into the groove on Left & Right Panel (5 & 6). Check that the bottom edge of (10) also fits into the groove of Middle Panel (1).

ASSEMBLY INSTRUCTIONS

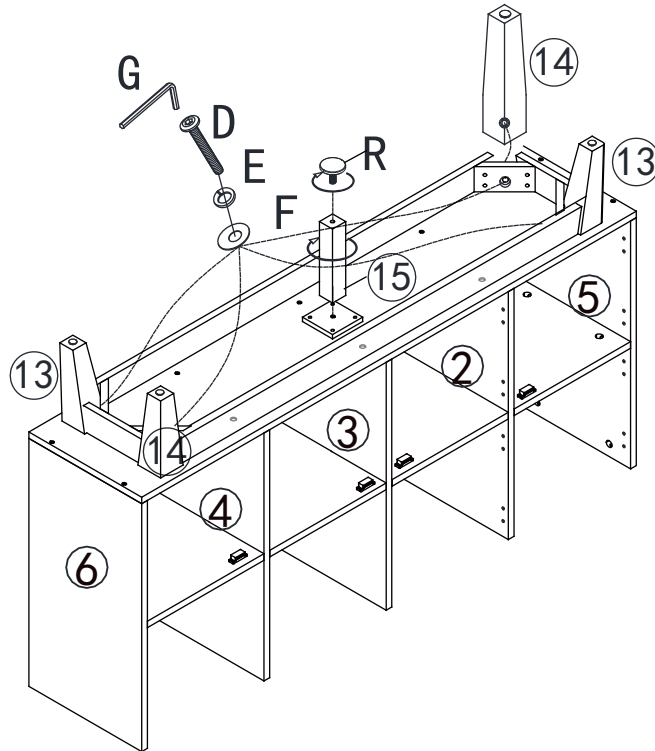
STEP 5



- Insert Wood Dowel (C) into the inner two holes on Left Panel (5), Right Panel (6) and Vertical Panels (2, 3 & 4).
- Attach Cabinet Bottom (8) by fitting the designated holes for wood dowels on (8) to the wood dowels on Panels (2, 3, 4, 5 & 6). Check that the top edge of Back Panel (10) fits into the groove on (8).
- Use a Phillips Screwdriver to drive Screw (M) to fasten Cabinet Bottom to Panels (2, 3, 4, 5 & 6).

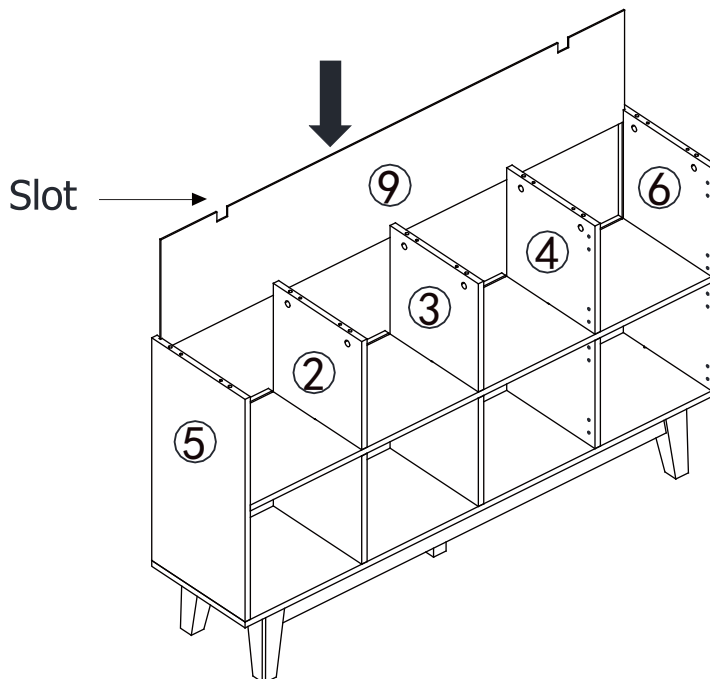
ASSEMBLY INSTRUCTIONS

STEP 6



- Position Wooden Legs (13 & 14) against the corner block on the rail of the Cabinet Bottom in the order as shown and align the bolt hole on (13 & 14) to the bolt hole on the corner block.
- Insert Bolt (D) fitted with Spring Washer (E) and Washer (F) into each hole.
Use Allen Key (G) to drive (D) to fasten (13 & 14) to the corner block. Do not over-tighten (D).
- Screw in Support Leg (15) into the screw hole on the platform in the middle of Cabinet Bottom.
- Screw in Adjustable Pad (R) into Support Leg (15).

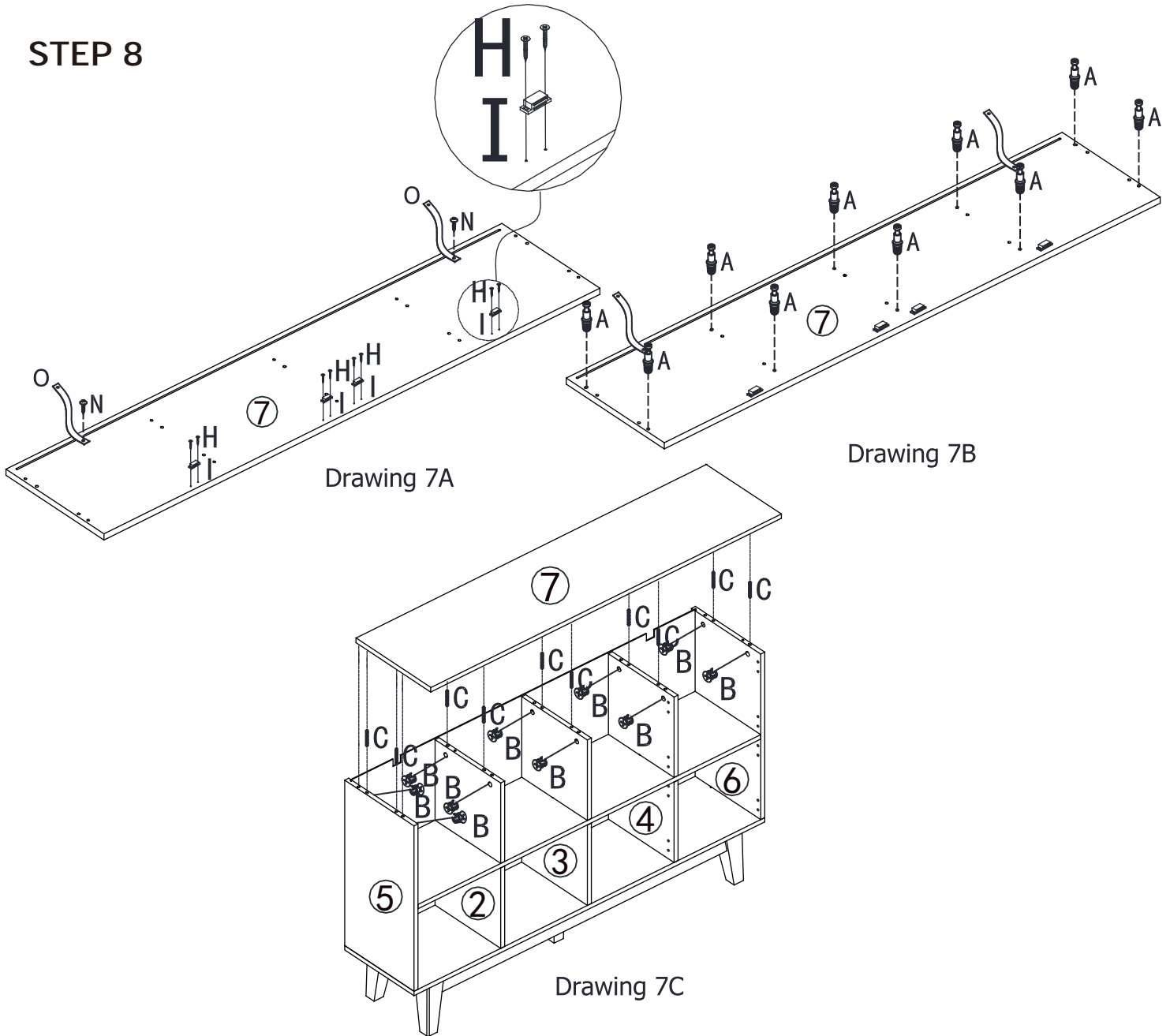
STEP 7



- Position the assembly from STEP 6, right-side up as shown.
- Fit Top Back Panel (9) by inserting the side edges of (9) into the groove on Left & Right Panels (5 & 6).
Check that the bottom edge of (9) fits into the groove on Middle Panel (1).
Note: the slot on (9) has to be on top.

ASSEMBLY INSTRUCTIONS

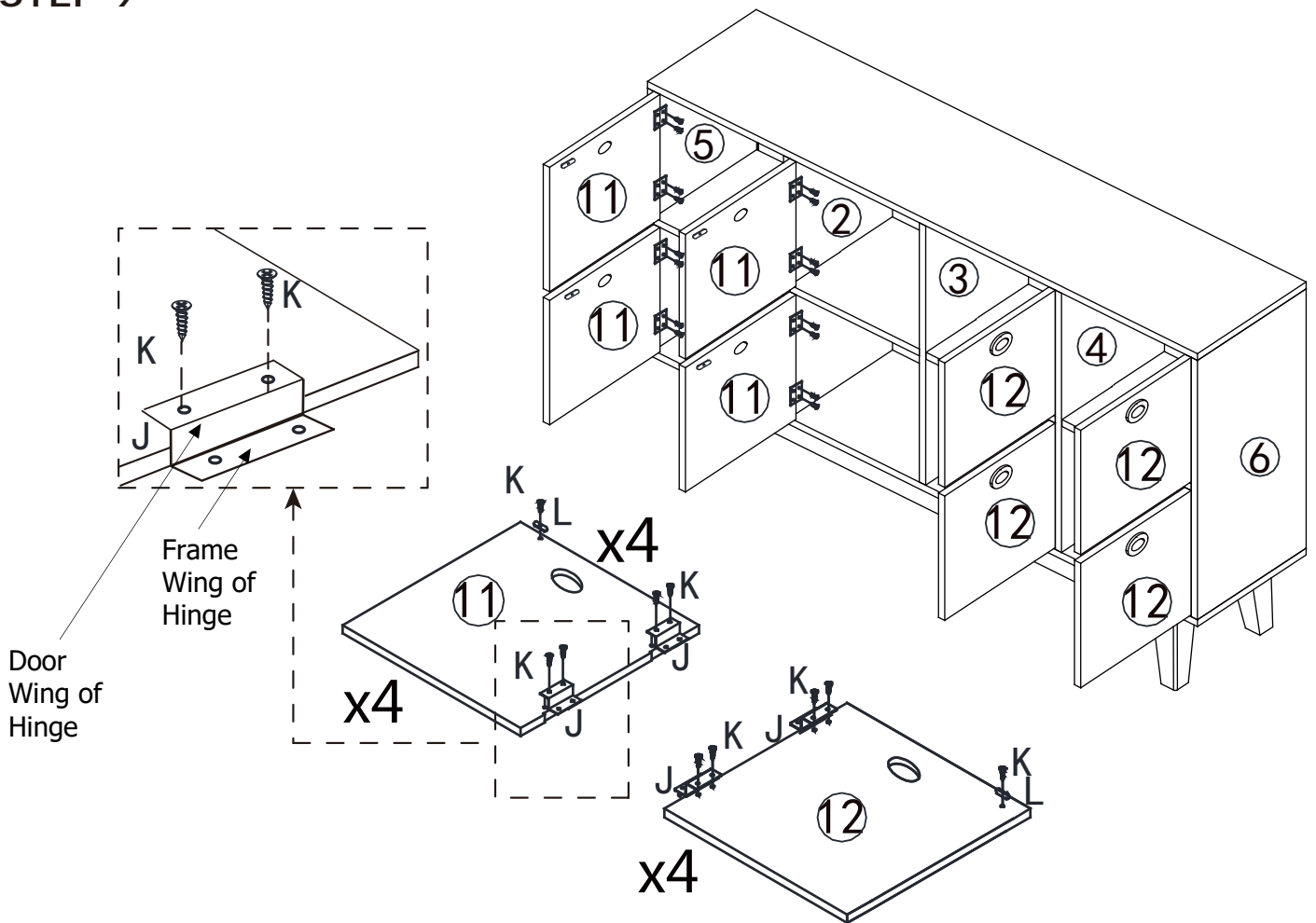
STEP 8



1. Refer to Drawing 7A
 - a) Place Top Panel (7) bottom side-up, on a material that does not scratch its exterior surface.
 - b) Locate pilot holes on Front edge of (7) for Magnetic Catch (I). Use Screw (H) to affix (I) to Top Panel. Do not tighten (H) completely until both screws are in place.
 - c) Locate screw hole location on rear edge of (7) to fasten Safety Strap (O) and fasten (O) with Screw (N).
2. Refer to Drawing 7B
 - a) Screw in Cam-bolt (A) into the designated (outer) screw holes on bottom-side of Top Panel (7).
- 3 Refer to Drawing 7C
 - a) Insert Wood Dowel (C) into the inner two holes on Left Panel (5), Right Panel (6) and Vertical Panels (2, 3 & 4).
 - b) Attach Top Panel (7) to Panels (2, 3, 4, 5 & 6) via cam-bolt and wood dowels on the respective parts. Check that the top edge of Back Panel (9) fits into the groove on (7).
 - c) Insert Cam-lock (B) into the designated holes on Panels (2, 3, 4, 5 & 6) and turn clockwise to lock onto cam-bolt.

ASSEMBLY INSTRUCTIONS

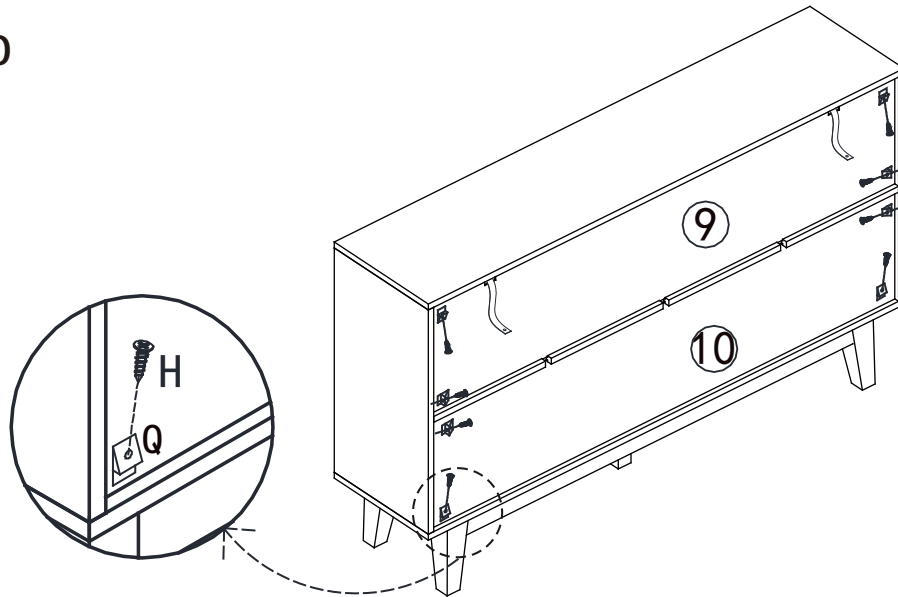
STEP 9



- Lay the inside-face of Left Door (11) and Right Door (12) facing up on a material that does not scratch its exterior surface.
- Place Hinge (J) on Door (11 & 12) as shown and align the screw holes on Door Wing of Hinge to screw holes on door - refer to enlarged Drawing.
- Use Screw (K) to fasten Door Wing of (J) to Door. Do not tighten completely until both screws are in place.
- Identify pilot holes on the upper corner of each door for Metal Clasp (L) and Use Screw (K) to affix (L) to each door.
- Locate pilot holes on Side Panels (5 & 6) and vertical Panels (2 & 4) to fasten Frame Wing of Hinge.
- Position each respective Door (11 or 12) as shown and align screw holes on Frame Wing to pilot holes on the respective Panel and use Screw (K) to fasten Frame Wing to each Panel. Do not tighten completely until all 4 screws are in place on each Panel.

ASSEMBLY INSTRUCTIONS

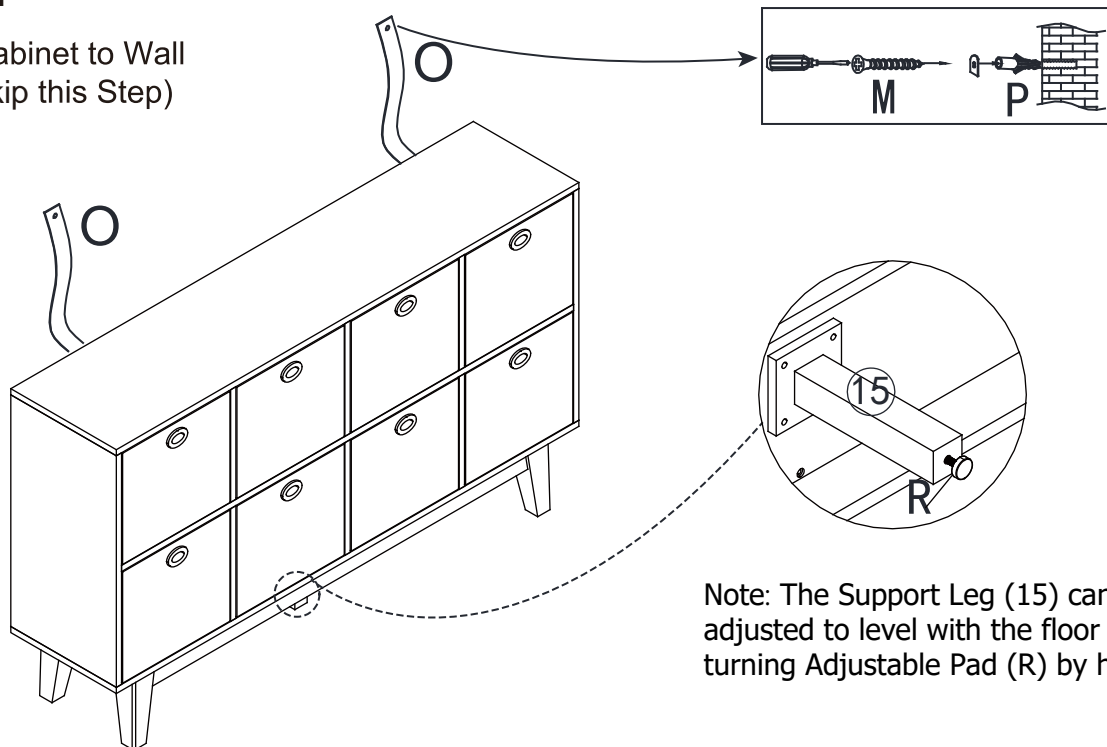
STEP 10



Insert Back Stopper (Q) at each location as shown to wedge into the groove and against Back Panel (9 & 10) and fasten with Screw (H).

STEP 11

Secure Cabinet to Wall
(Do not skip this Step)



Note: The Support Leg (15) can be adjusted to level with the floor by turning Adjustable Pad (R) by hand.

- Select the location to place the cabinet.
- Mark location on the wall where the safety strap will be anchored (position for Wall Anchor (P)).
- Drill a hole in wall that will fit each Wall Anchor (P).
- Push (P) into the drilled hole. Ensure that the anchor fits securely in the wall.
- Use Screw (M) to affix Strap (O) to Wall Anchor.

The assembly of the the cabinet is complete and ready for use.