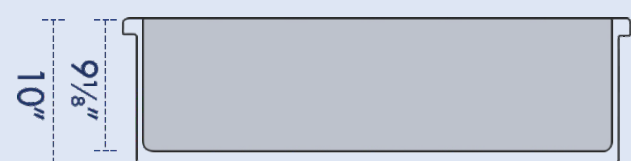
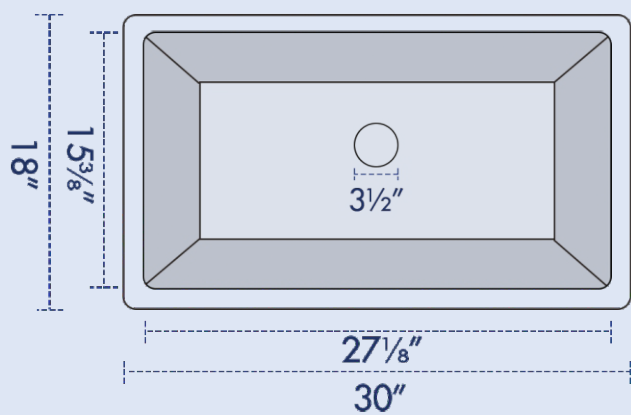




SPECIFICATIONS

- Dimensions: 30"L x 18"W x 10"H
- Inner dim: 27³/₈"W x 15³/₈"D x 9¹/₈"H
- Net weight: 79.4 lbs



FEATURES

- Solid fireclay construction
- Drop-in/Undermount installation
- Easy-to-clean, non-porous finish
- 10-inch deep single bowl
- Bottom grid and strainer included

INSTALLATION

- Drop-in
- Undermount

PARTS INCLUDED

- Sink: ERI-DS-164
- Basket Strainer: ERI-KD02
- Bottom Grid

COLORS & FINISHES

-  White