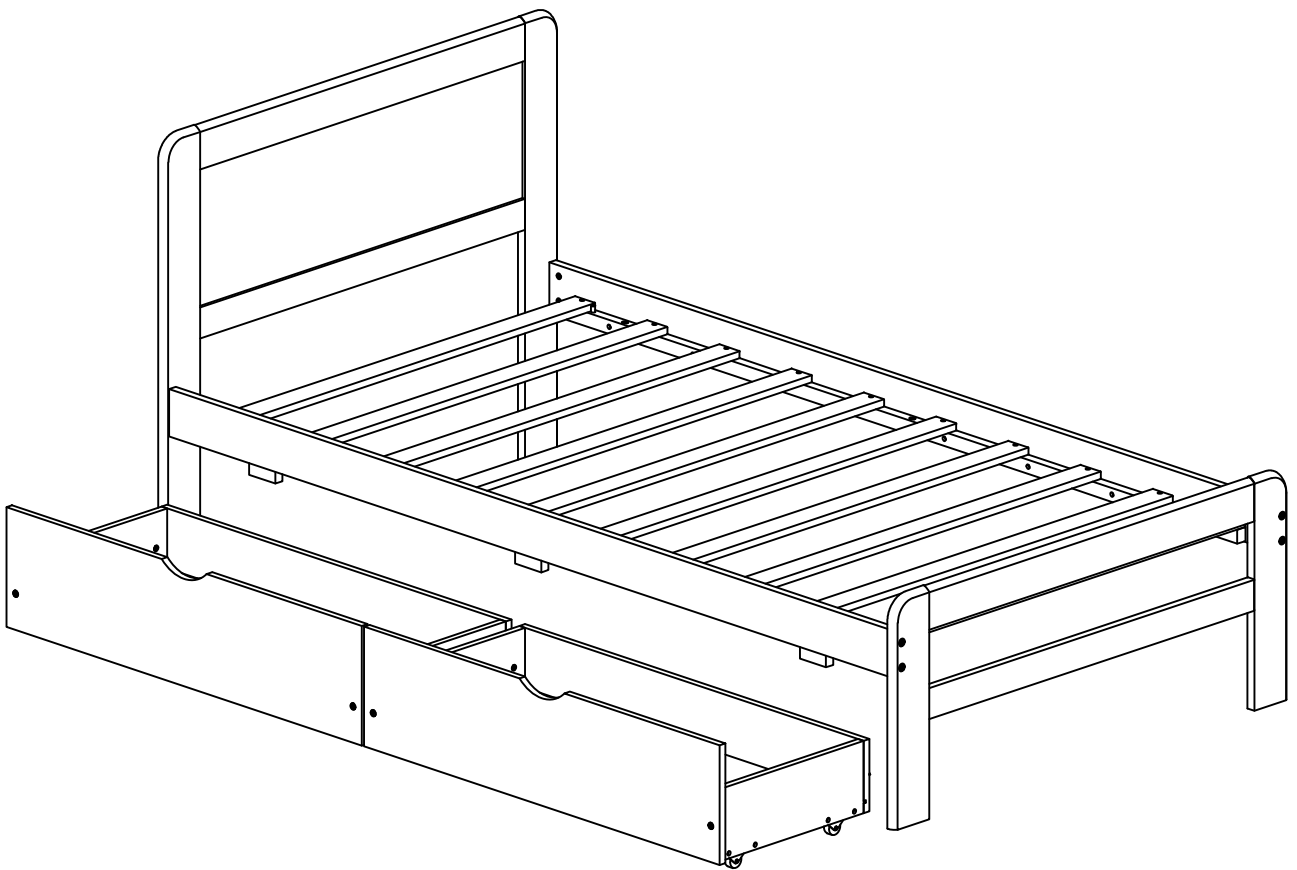


ASSEMBLY INSTRUCTIONS

W697121843

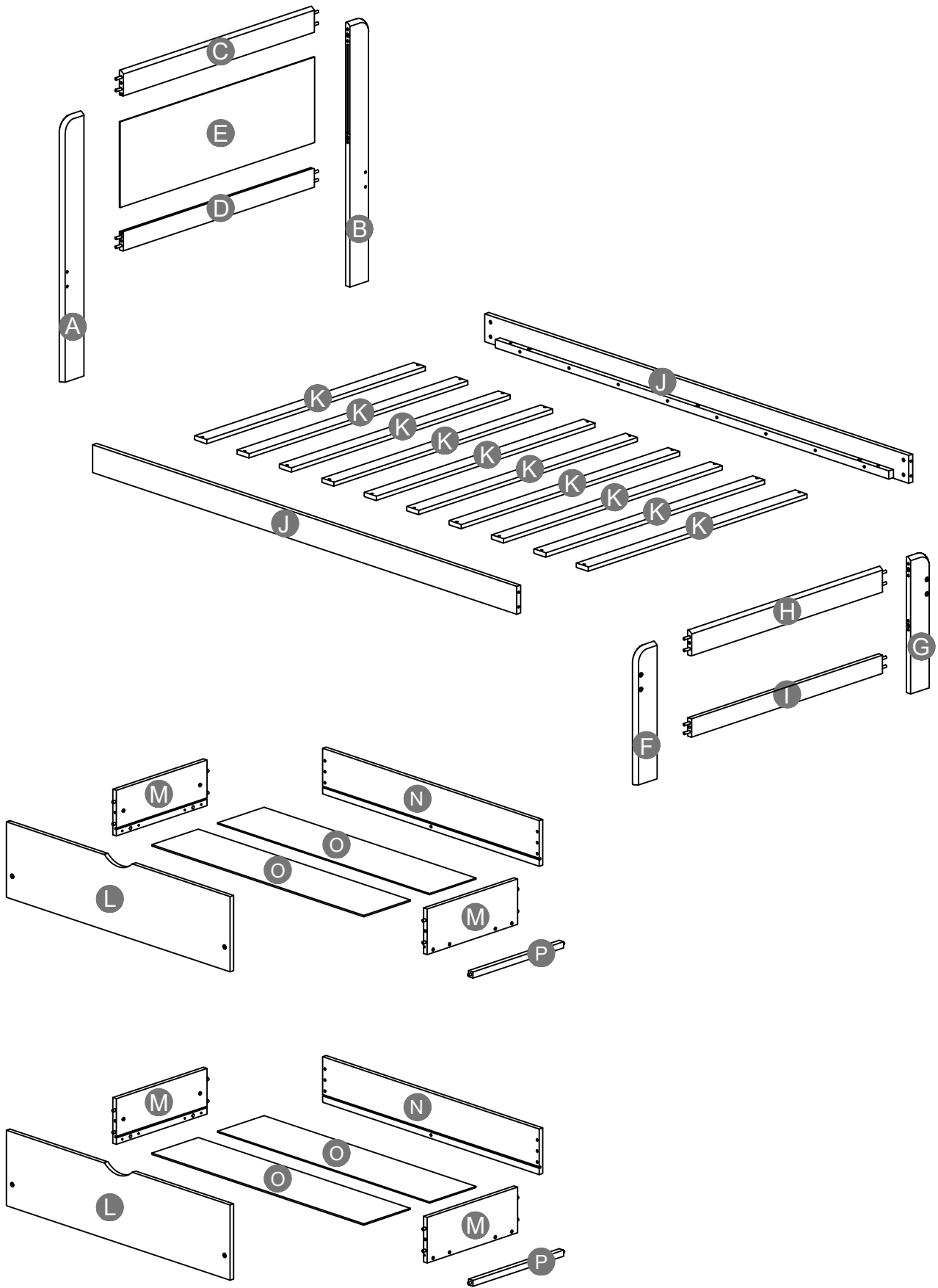
W697121844

W697121845



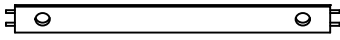
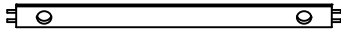


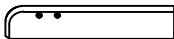
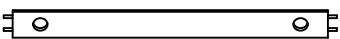
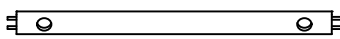

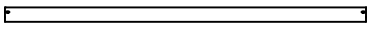
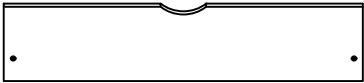
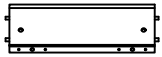
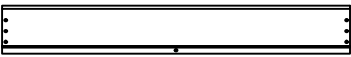
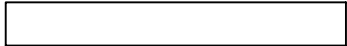
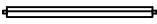


YX7101

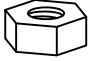


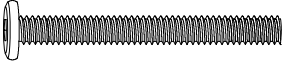


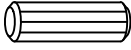
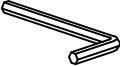

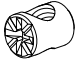
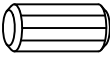

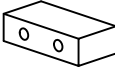
Detail View



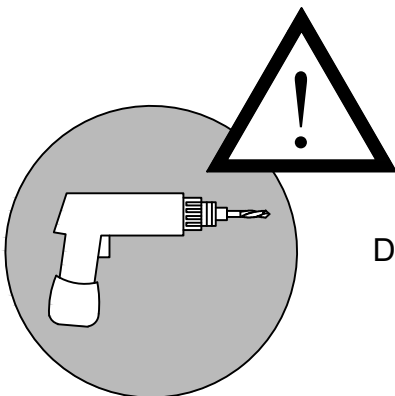
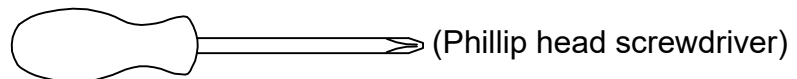
Part List

<p>A</p>  <p>Headboard leg (Left)-1pc</p>	<p>B</p>  <p>Headboard leg (Right)-1pc</p>	<p>C</p>  <p>Horizontal upper bar HB-1pc</p>
<p>D</p>  <p>Horizontal bottom bar HB-1pc</p>	<p>E</p>  <p>Headboard panel-1pc</p>	<p>F</p>  <p>Footboard leg (Left)-1pc</p>
<p>G</p>  <p>Footboard leg (Right)-1pc</p>	<p>H</p>  <p>Horizontal upper bar FB-1pc</p>	<p>I</p>  <p>Horizontal bottom bar FB-1pc</p>
<p>J</p>  <p>Side rail-2pcs</p>	<p>K</p>  <p>Slat-10pcs</p>	<p>L</p>  <p>Front panel of drawer - 2pcs</p>
<p>M</p>  <p>Side panel of drawer - 4pcs</p>	<p>N</p>  <p>Back panel of drawer - 2pcs</p>	<p>O</p>  <p>Bottom panel of drawer-4pcs</p>
<p>P</p>  <p>Crossprece-2pcs</p>		

Hardware List

1  (Spare Hardware-1pc) 1/4"*9.8*5mm Hexagon Nut (9pcs)	2  (Spare Hardware-1pc) 1/4"*89mm All thread bolt(9pcs)	3  (Spare Hardware-1pc) Ø8-28*14*7mm Curved washer(9pcs)
4  (Spare Hardware-2pcs) (Ø12)1/4"*55mm Hex-Head bolts (21pcs)	5  (Spare Hardware-1pc) 1/4"*15mm Horizontal-Hole bolts(9pcs)	6  (Spare Hardware-4pc) Ø4*25mm Wood screws (40 pcs)
7  Ø8*25mm Wood dowel (7pcs)	8  (1/4")4*60mm Allen key (1pc)	9  88*22*2mm Wrench (1pc)
10  (Spare Hardware-1pc) 1/4"*12mm Horizontal-Hole bolts(9pcs)	11  (Spare Hardware-1pc) Ø10*20mm Wood dowel (9pcs)	12  100*53*19mm Wheels (8pcs)
13  70*38*19mm Stopper (3pcs)		

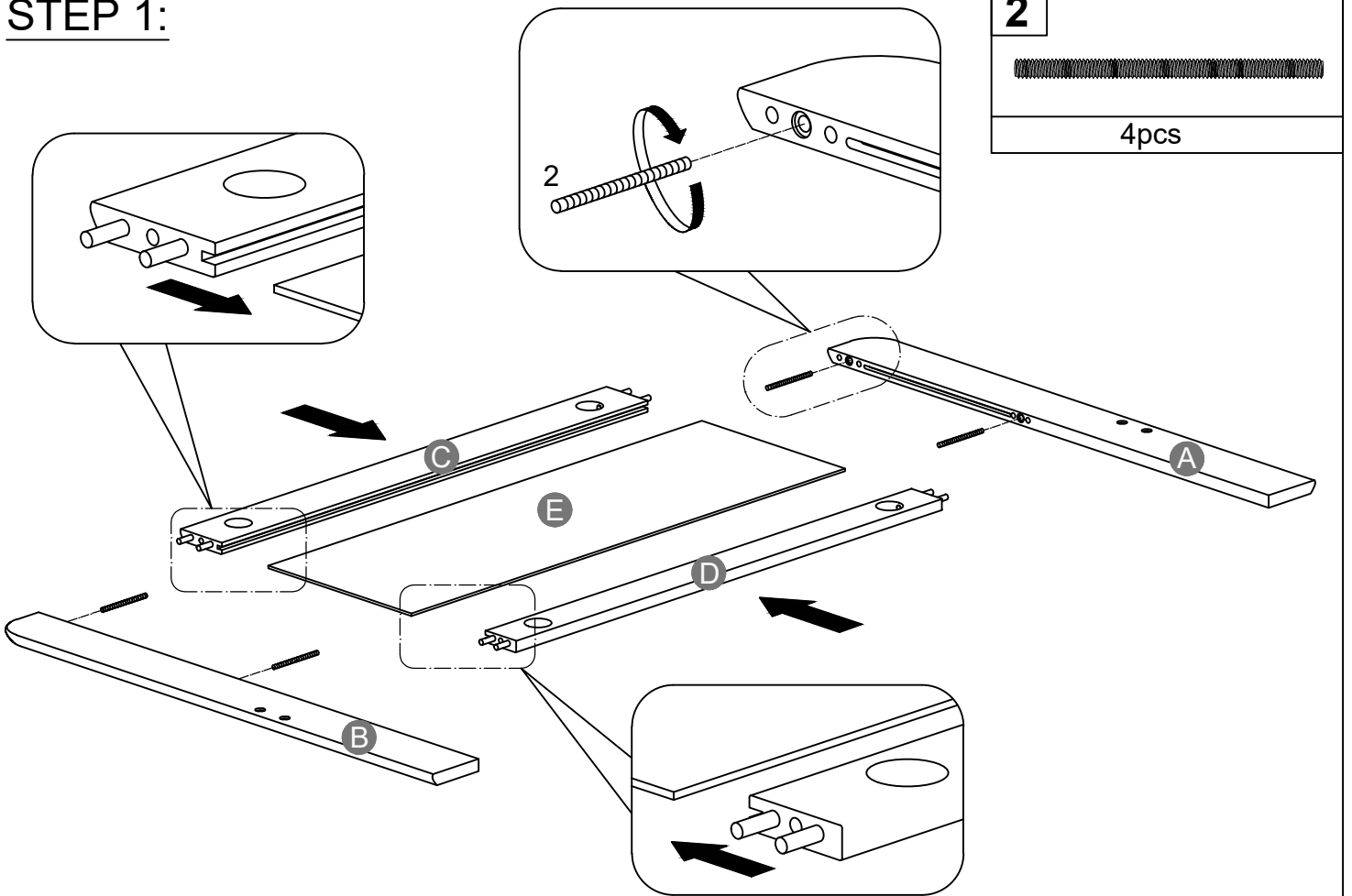
ASSEMBLY TOOLS REQUIRED (NOT INCLUDED)



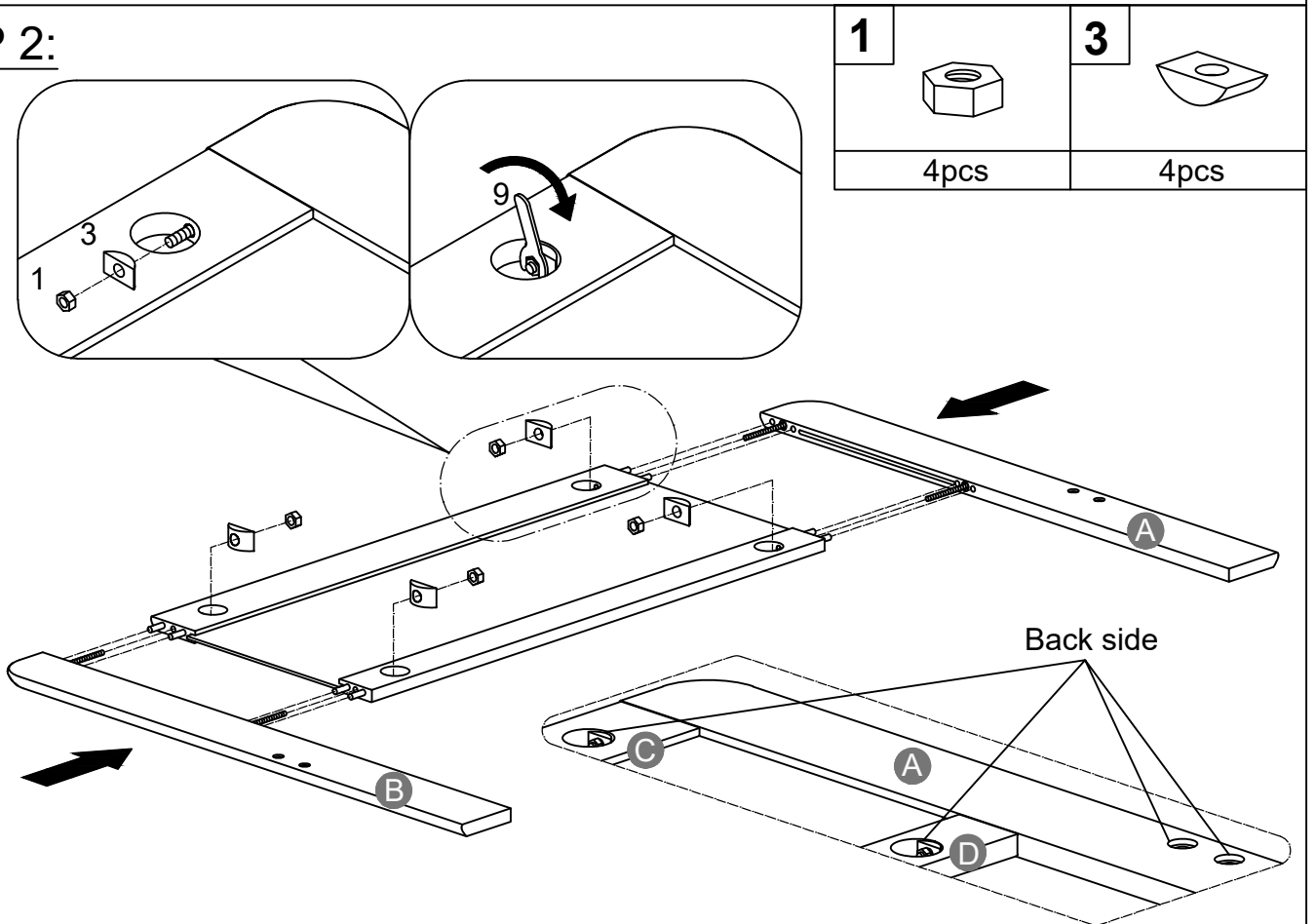
DO NOT USE POWER TOOLS TO ASSEMBLE THIS PRODUCT !

Remark: We recommend you assemble your bed in the flat ground.

STEP 1:



STEP 2:



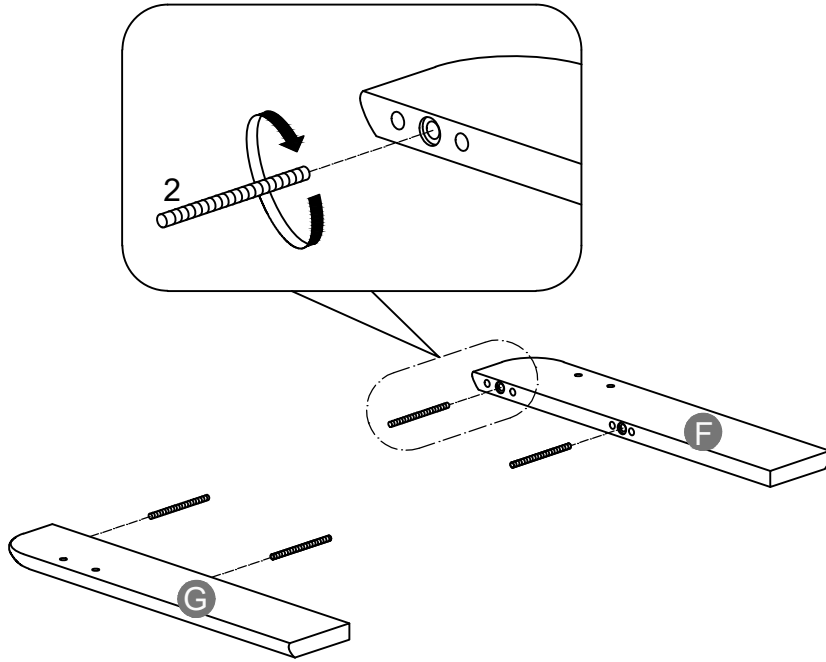
Make sure bars A,B,C,D are connected together on the same side (front-front, back-back)

STEP 3:

2



4pcs



STEP 4:

1

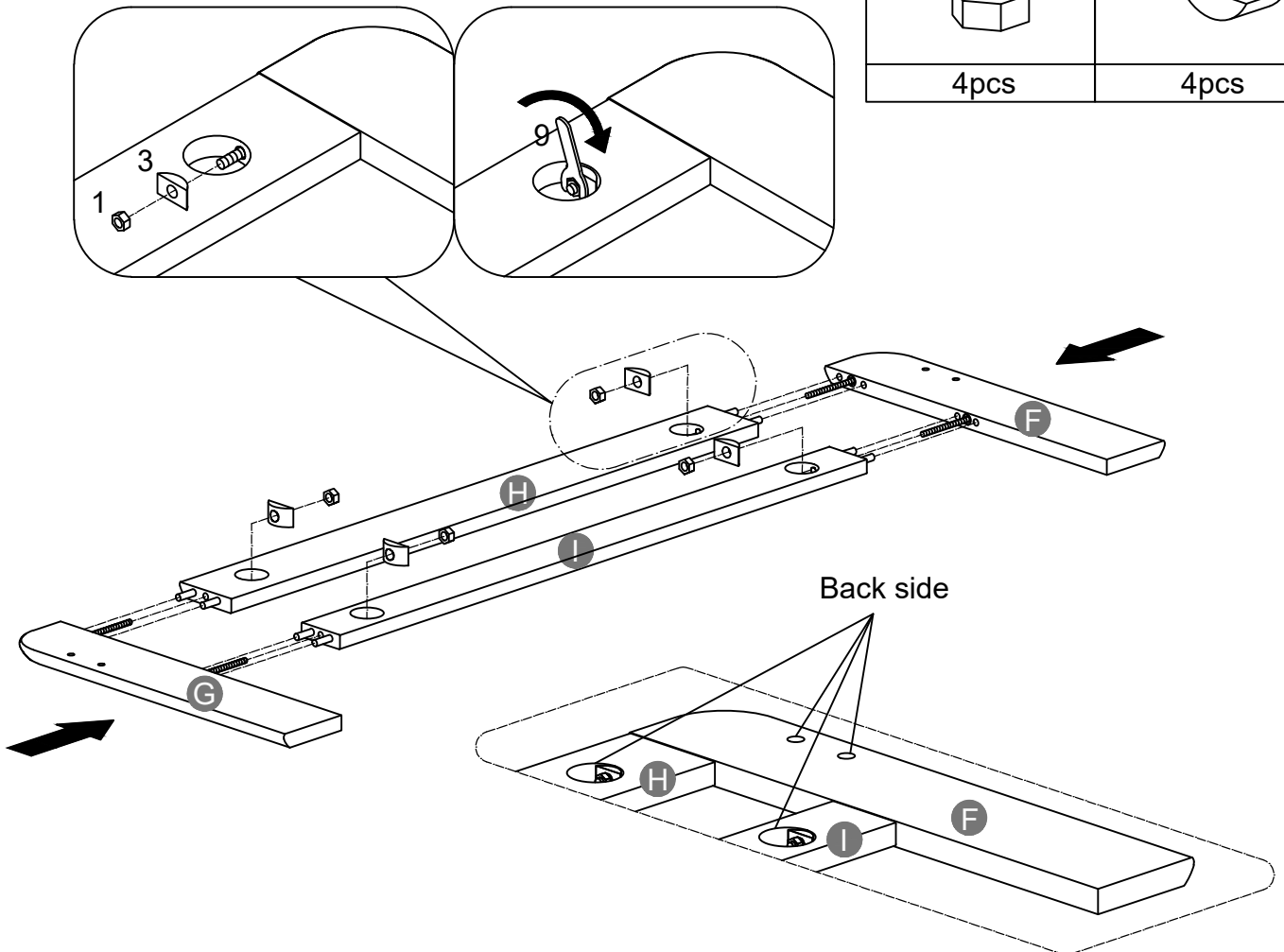


4pcs

3

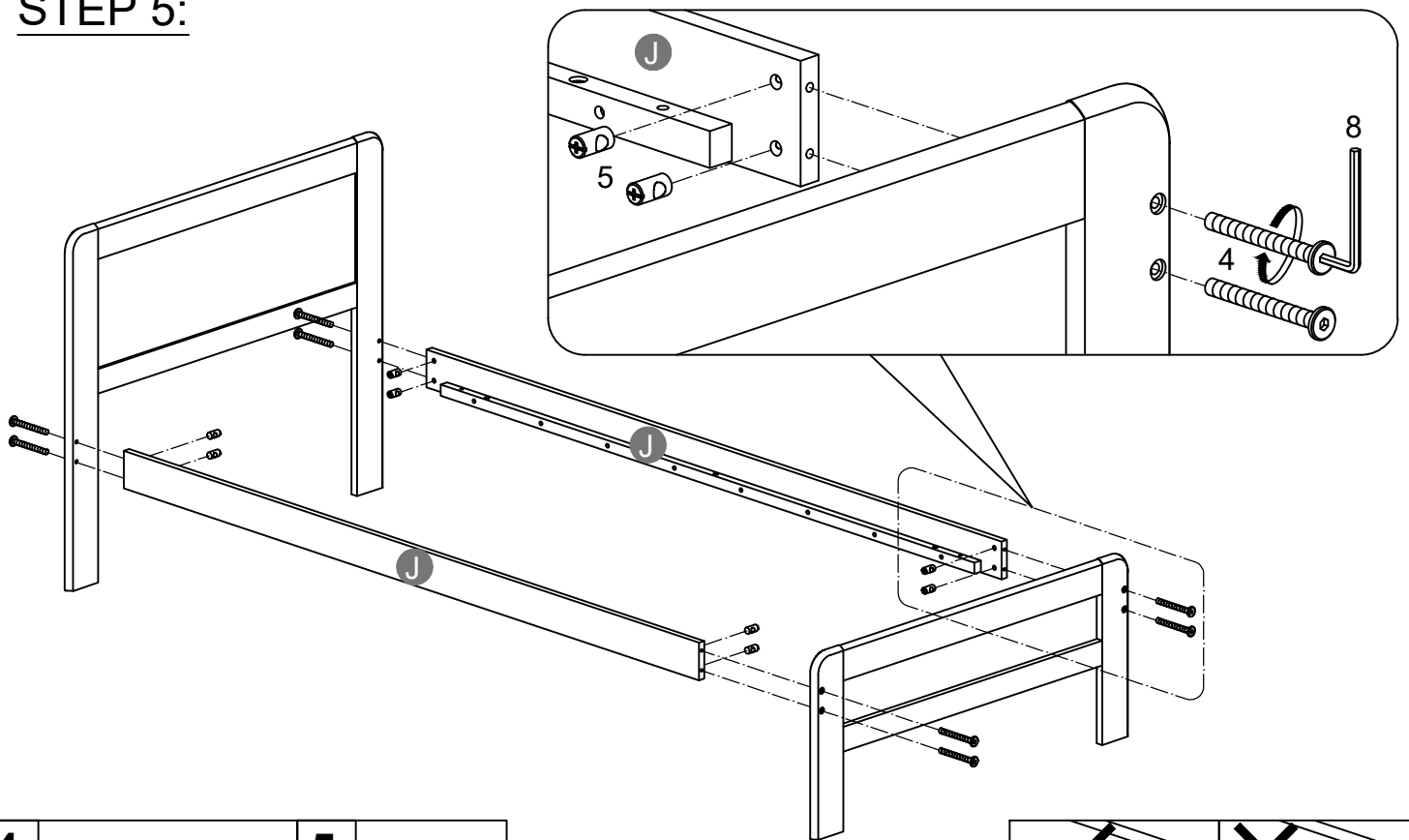


4pcs

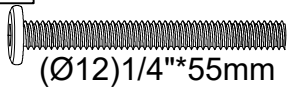


Make sure bars A,B,C,D are connected together on the same side (front-front, back-back)

STEP 5:



4



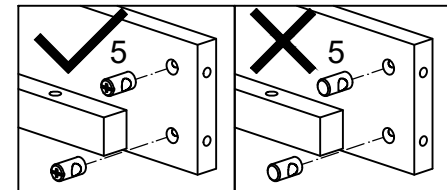
8pcs

5

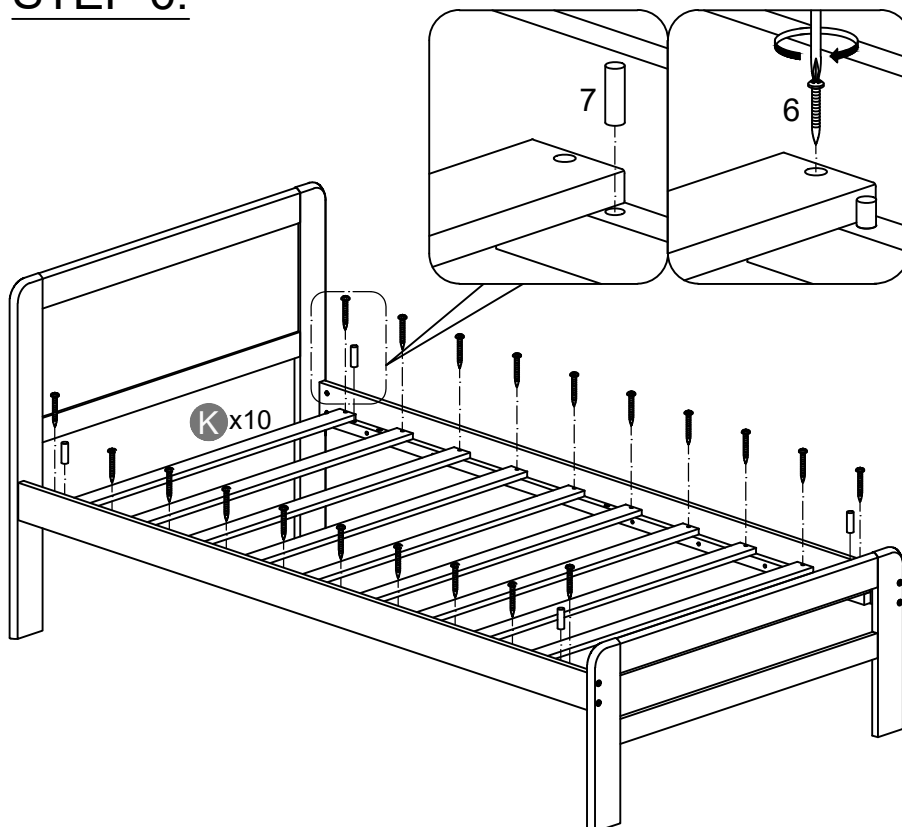


8pcs

Note: Part 5 will face up with the "x" mark on it, otherwise it cannot be tightened



STEP 6:

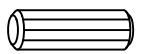


6

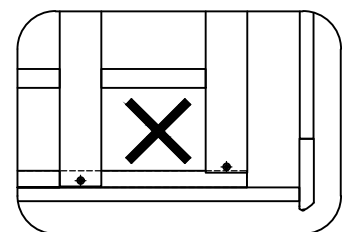
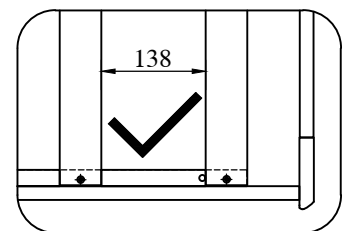


20 pcs

7



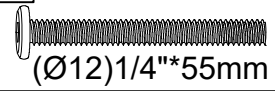
4 pcs



Note: Do not lock the screws of the bed slats to the outermost edge of the bed slats, you need to leave a certain space at the edges, otherwise it will cause the board to break. Do not lock the bed slats on the edge of the wood, please hold firmly before screwing, hold it in place with one hand, then lock the screw.

STEP 7:

4

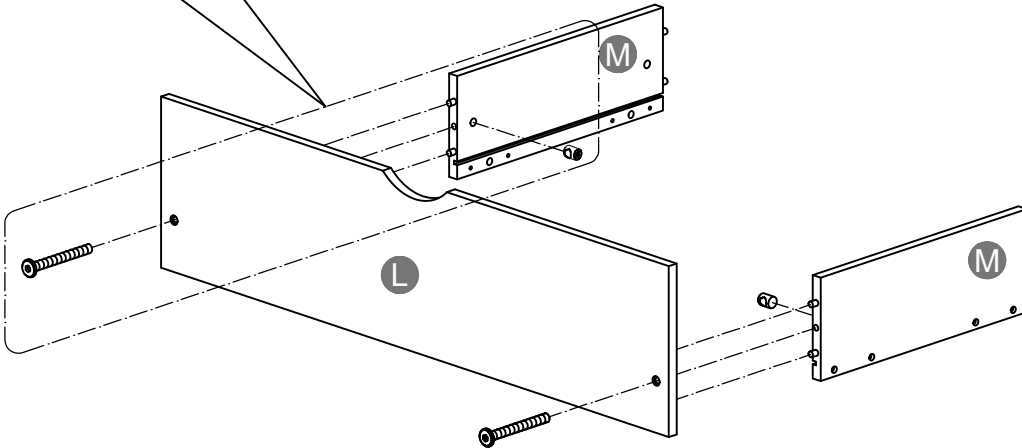
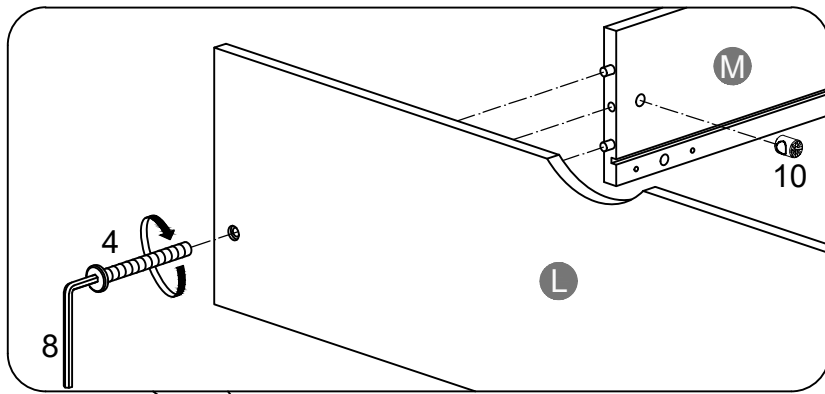


4pcs

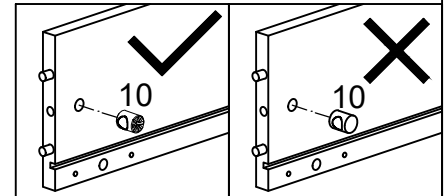
10



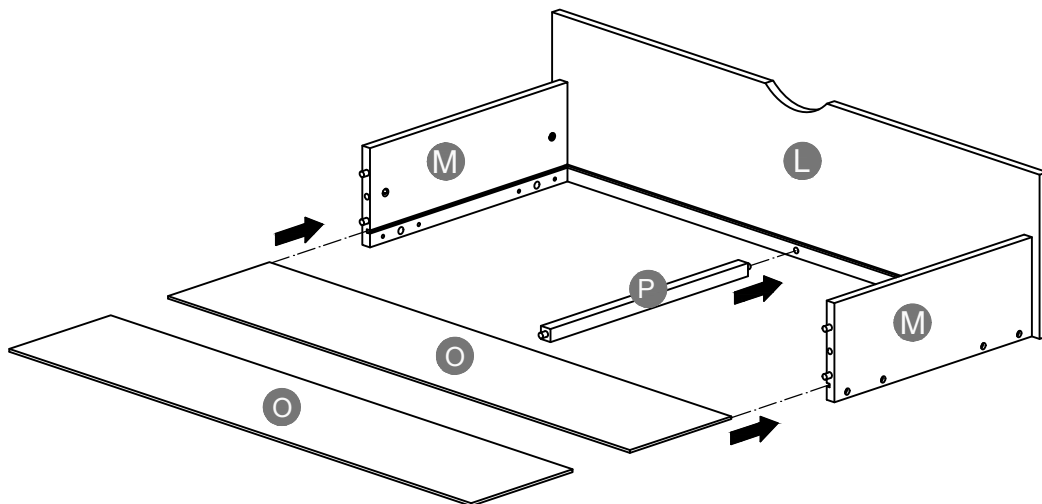
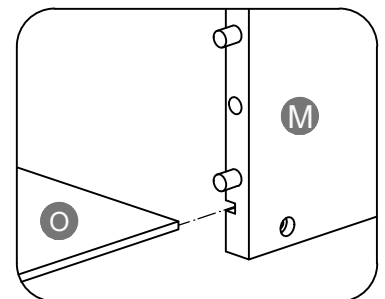
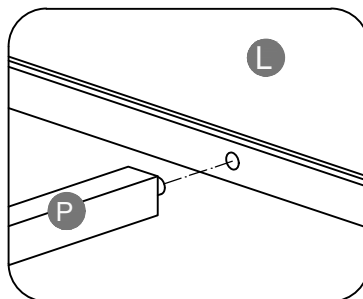
4pcs



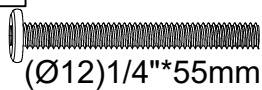

Note: Part 10 will face up with the "*" mark on it, otherwise it cannot be tightened

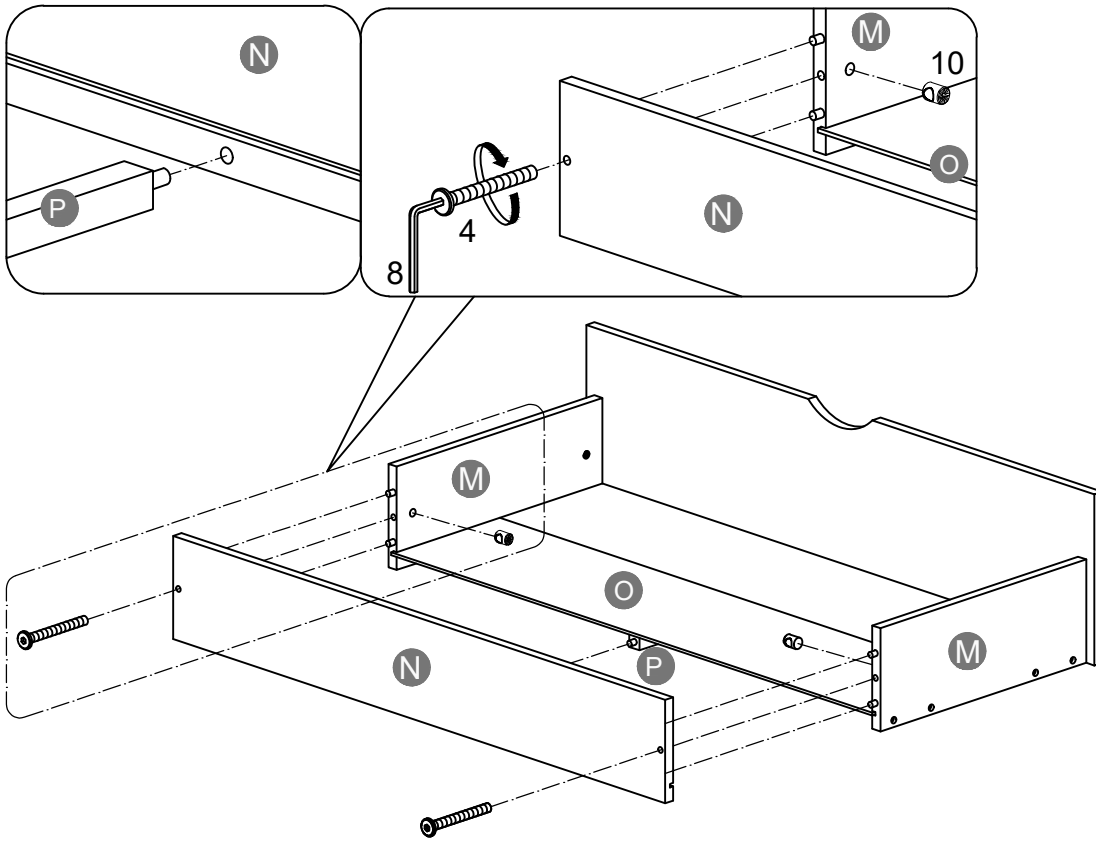


STEP 8:

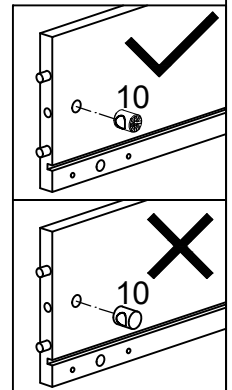


STEP 9:

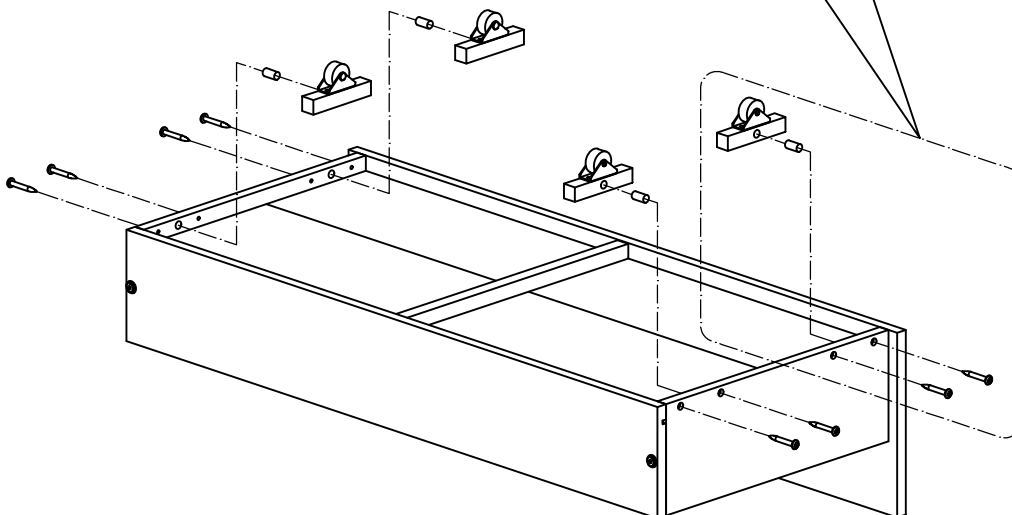
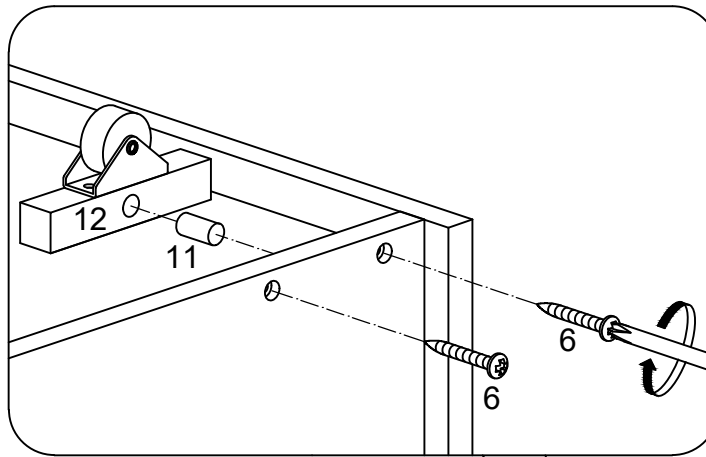
4	 (Ø12)1/4"*55mm	10	
	4pcs		4pcs


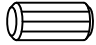



Note: Part 10 will face up with the "*" mark on it, otherwise it cannot be tightened


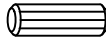
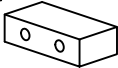


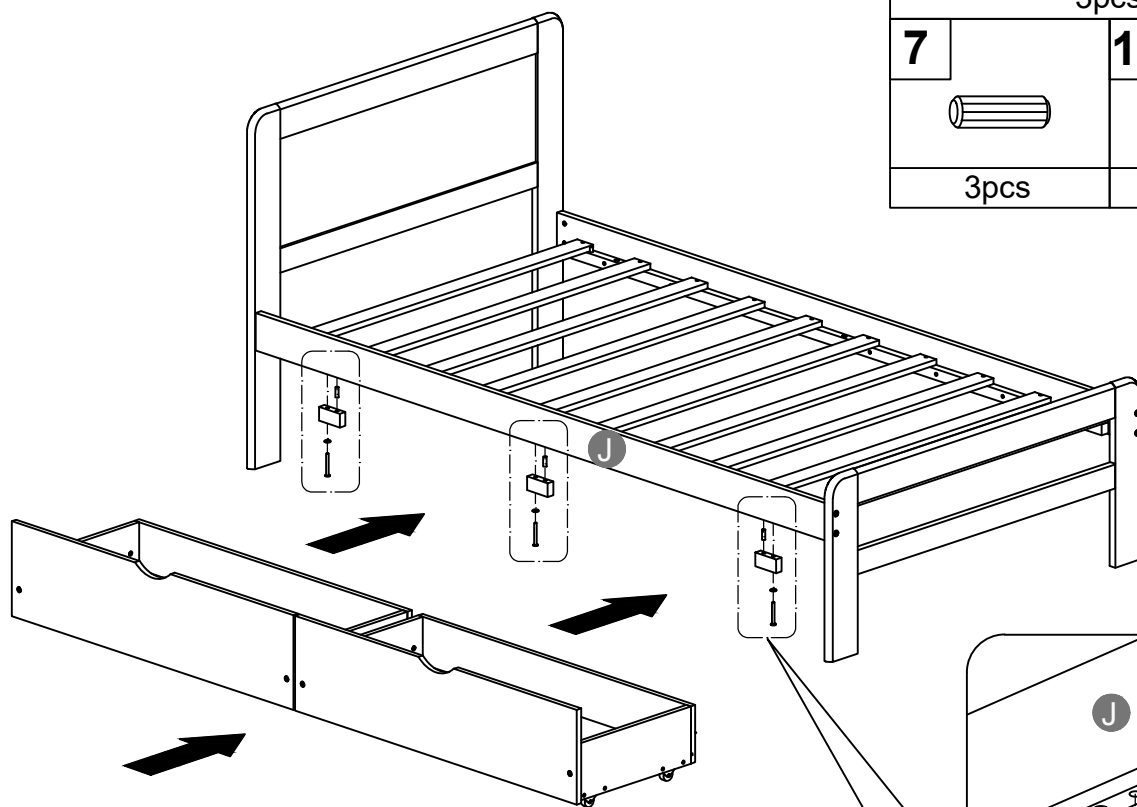
STEP 10:



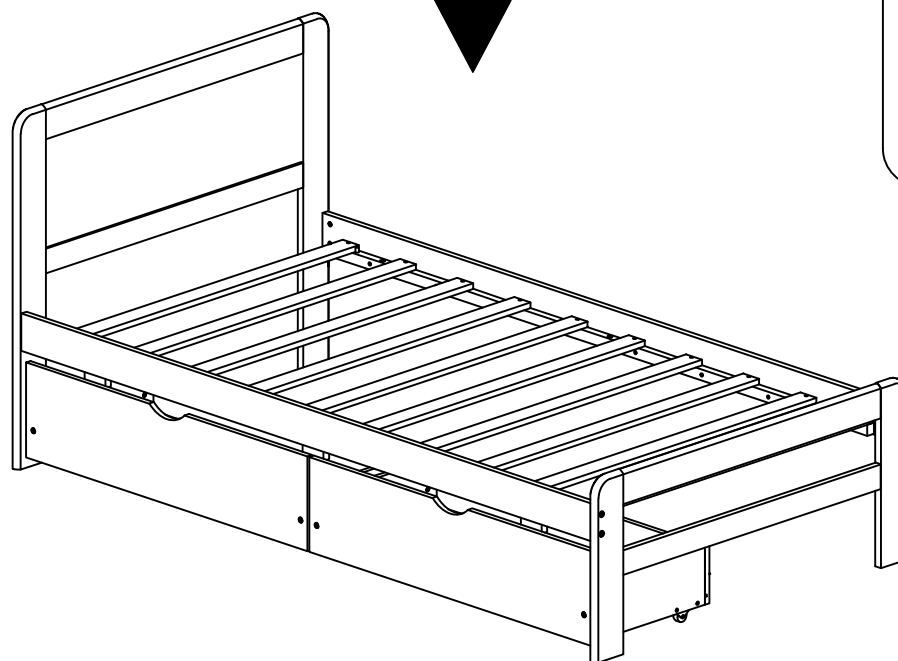
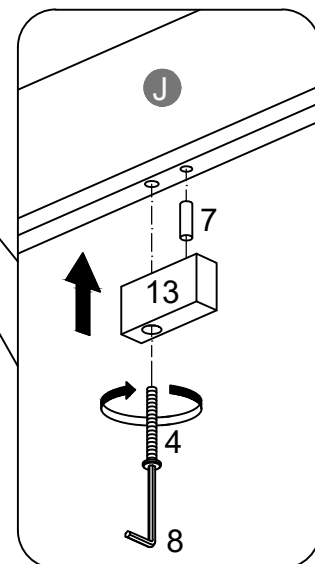
6	
	16 pcs
11	
	8 pcs
12	
	8 pcs

STEP 11:

4	 (Ø12)1/4"*55mm
3pcs	
7	13
	
3pcs	3pcs



Push Drawers under the bottom of Bed.



Make sure to tighten all the screws of the bed.