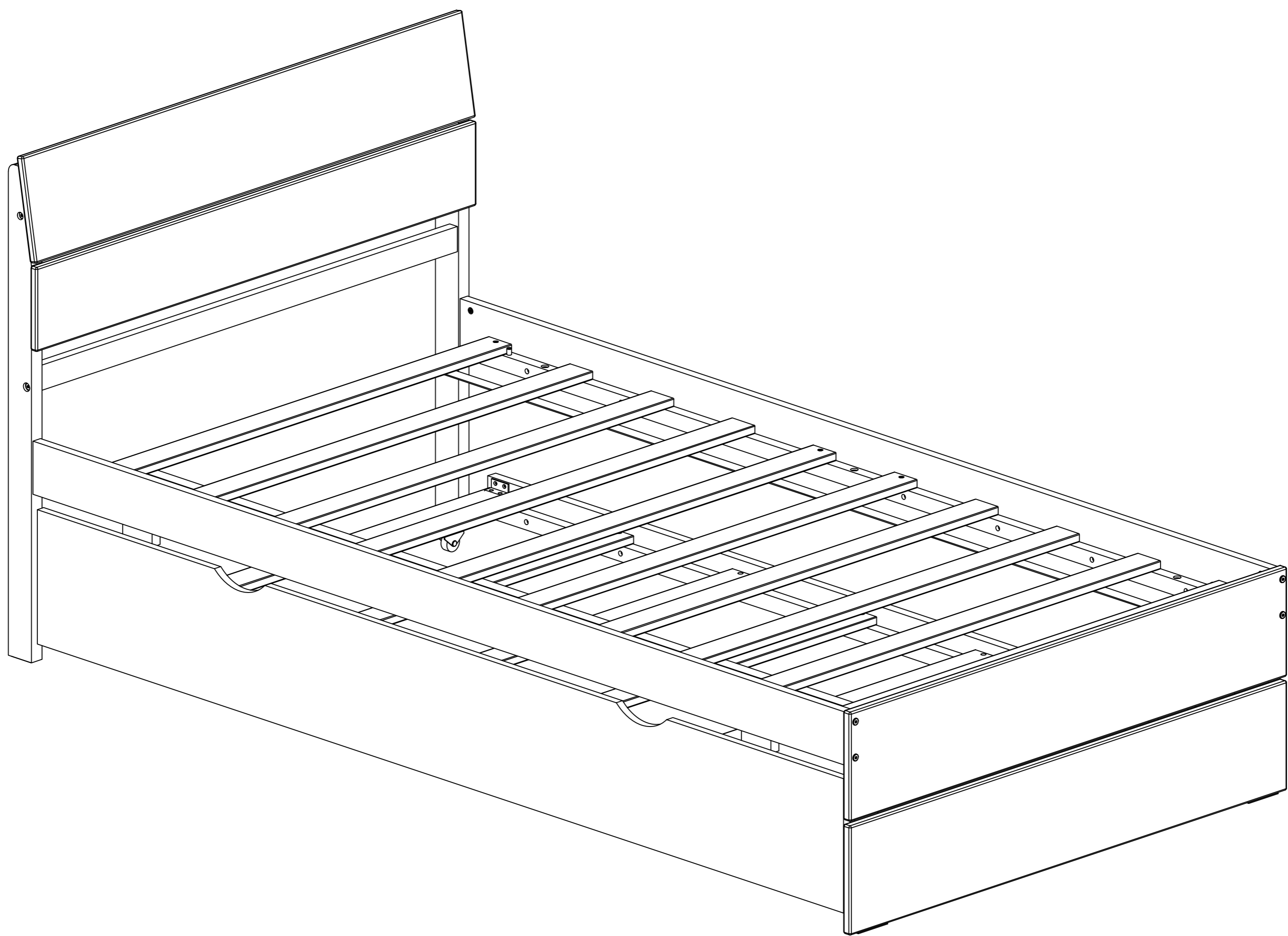
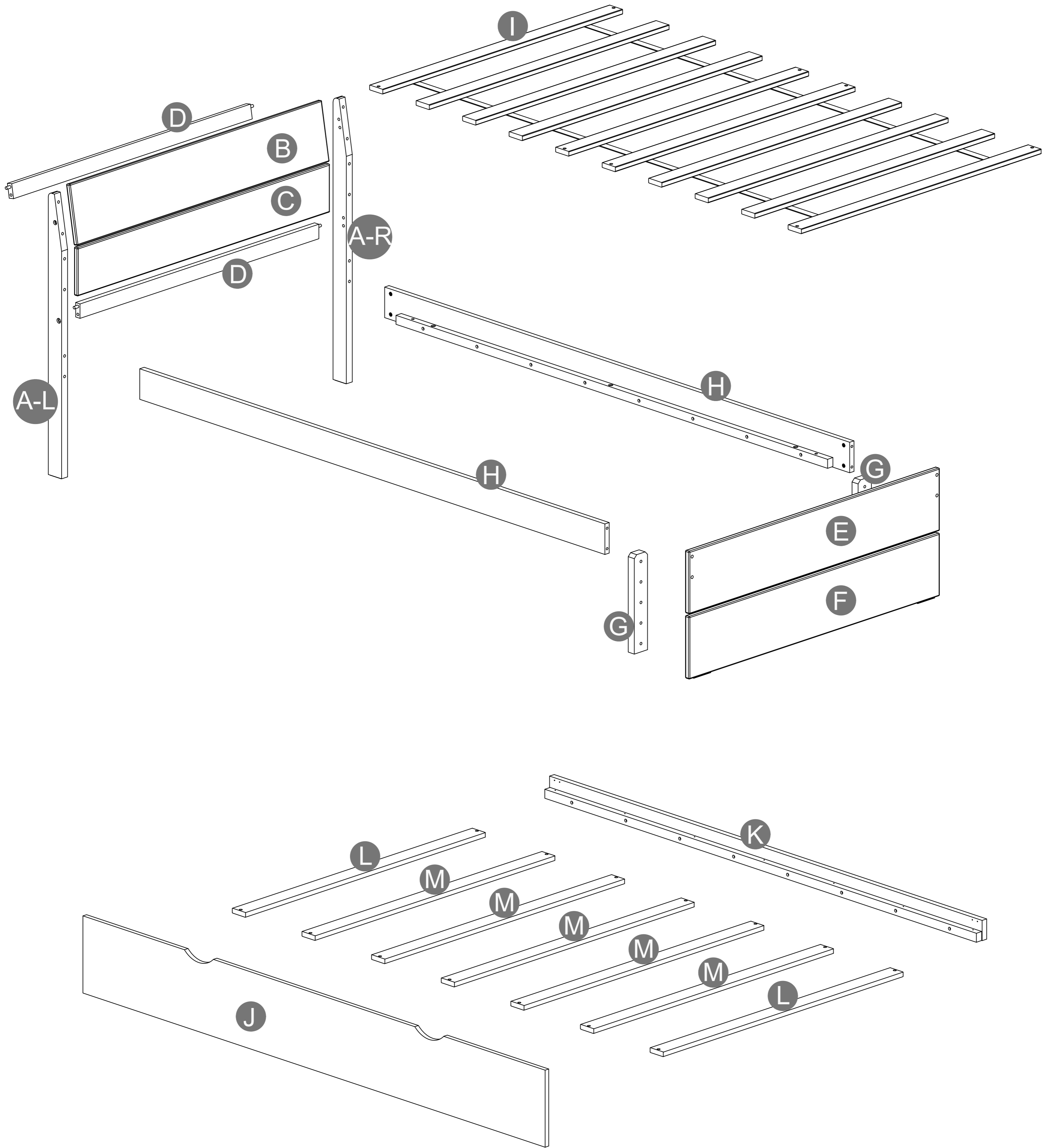


ASSEMBLY INSTRUCTIONS

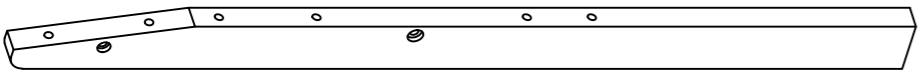
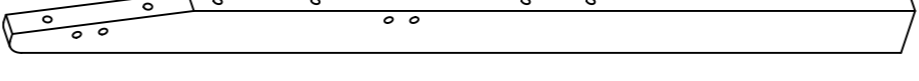
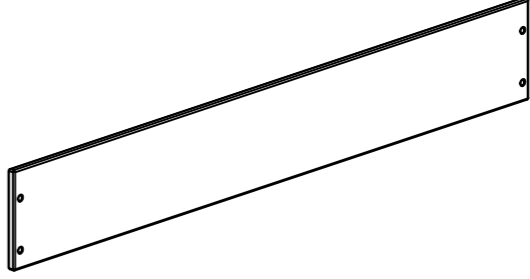
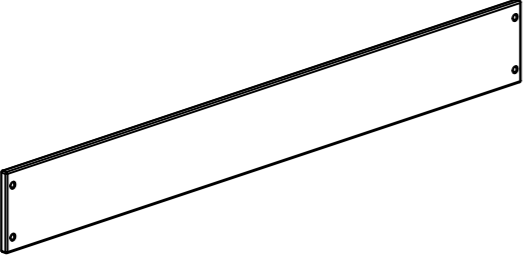
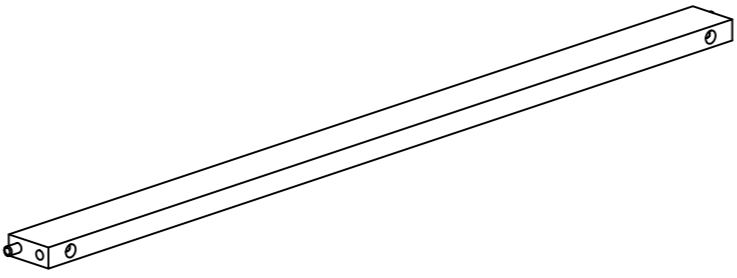
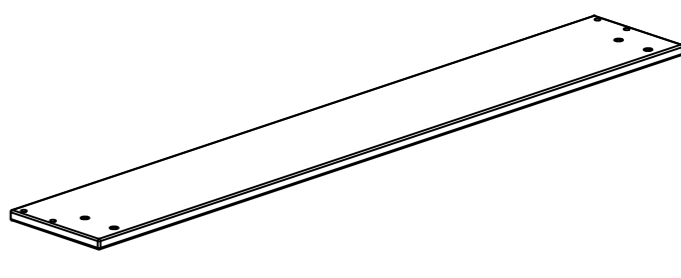
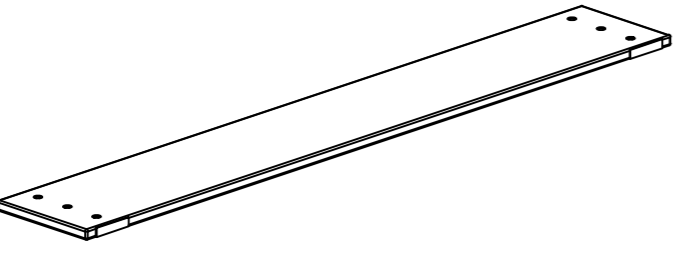


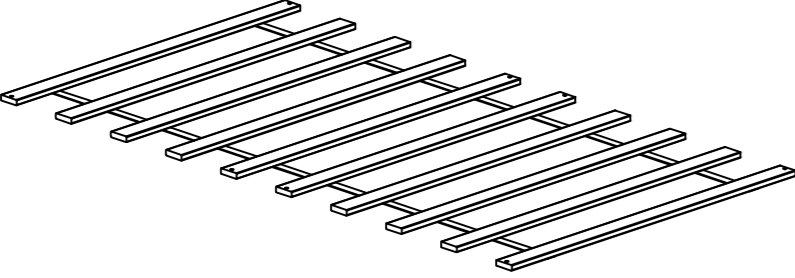
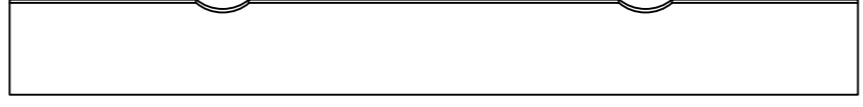
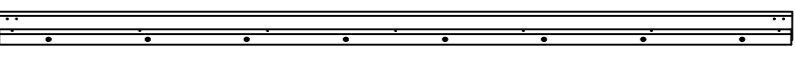
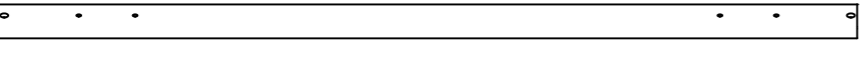
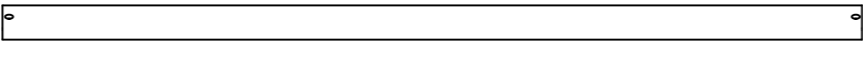
High gloss twin bed with trundle



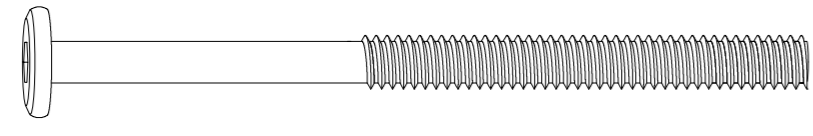
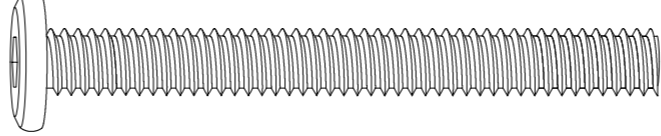
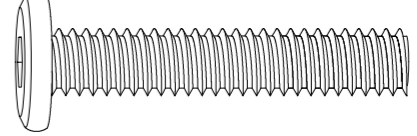
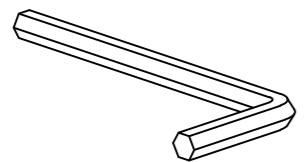
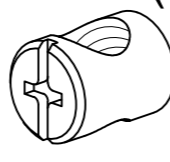
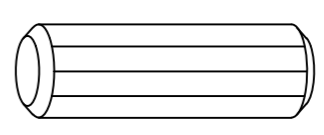
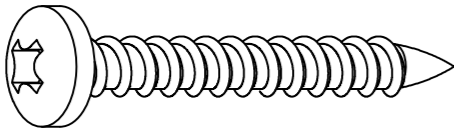
Detail View



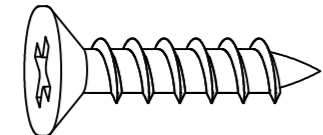
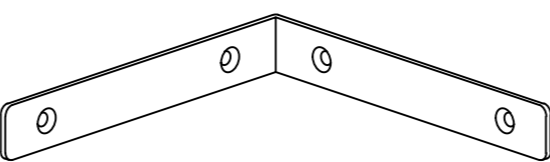
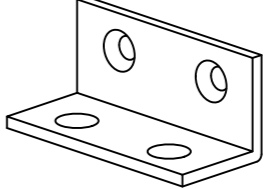

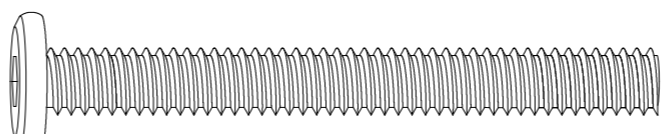
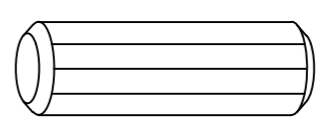
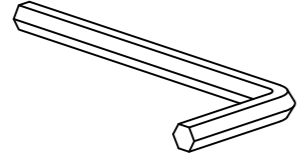
Part List

<p>A-L</p>  <p>Headboard leg (Left)-1pc</p>	<p>A-R</p>  <p>Headboard leg (Right)-1pc</p>	<p>B</p>  <p>Horizontal upper Panel HB-1pc</p>
<p>C</p>  <p>Horizontal bottom Panel HB-1pc</p>	<p>D</p>  <p>Horizontal bar HB-2pcs</p>	<p>E</p>  <p>Horizontal upper Panel FB-1pc</p>
<p>F</p>  <p>Horizontal bottom Panel FB-1pc</p>	<p>G</p>  <p>Vertical support bar FB-2pcs</p>	<p>H</p>  <p>Side rail-2pcs</p>
<p>I</p>  <p>Slat-10pcs</p>	<p>J</p>  <p>Trundle front panel - 1pc</p>	<p>K</p>  <p>Trundle back Panel -1pc</p>
<p>L</p>  <p>Trundle Slat-2pcs</p>	<p>M</p>  <p>Trundle Slat-5pcs</p>	

Hardware List (1/3)

1  (Ø12)1/4"*85mm Hex-Head bolts (4pcs)	2 (Spare Hardware-1pc)  (Ø12)1/4"*55mm Hex-Head bolts (9pcs)	3 (Spare Hardware-2pcs)  (Ø12)1/4"*32mm Hex-Head bolts (20pcs)
4  (1/4")4*60mm Allen key (1pc)	5 (Spare Hardware-1pc)  1/4"*15mm Horizontal-Hole bolts(13pcs)	6  Ø8*25mm Wood dowel (4pcs)
7 (Spare Hardware-1pc)  Ø4*25mm Wood screws (9 pcs)		

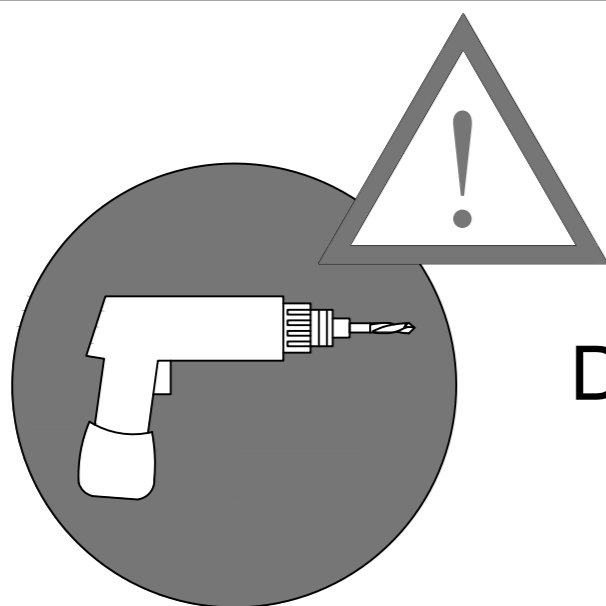
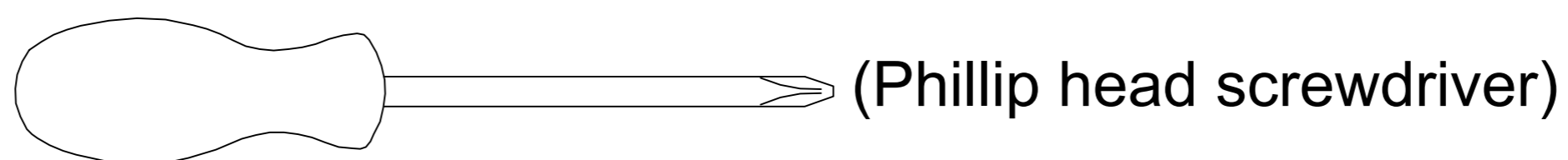
Hardware List (2/3)

8 (Spare Hardware-2pcs)  Ø4*12mm Wood screws (18 pcs)	9  120*120*18*2mm Metal bracket (2pcs)	10  35*18*18*2mm Metal bracket (2pcs)
11 (Spare Hardware-2pcs)  Ø4*25mm Wood screws (24 pcs)	12  (Ø12)1/4"*55mm Hex-Head bolts (2pcs)	13  Ø8*25mm Wood dowel (2pcs)
14  (1/4")4*60mm Allen key (1pc)		

Hardware List (3/3)

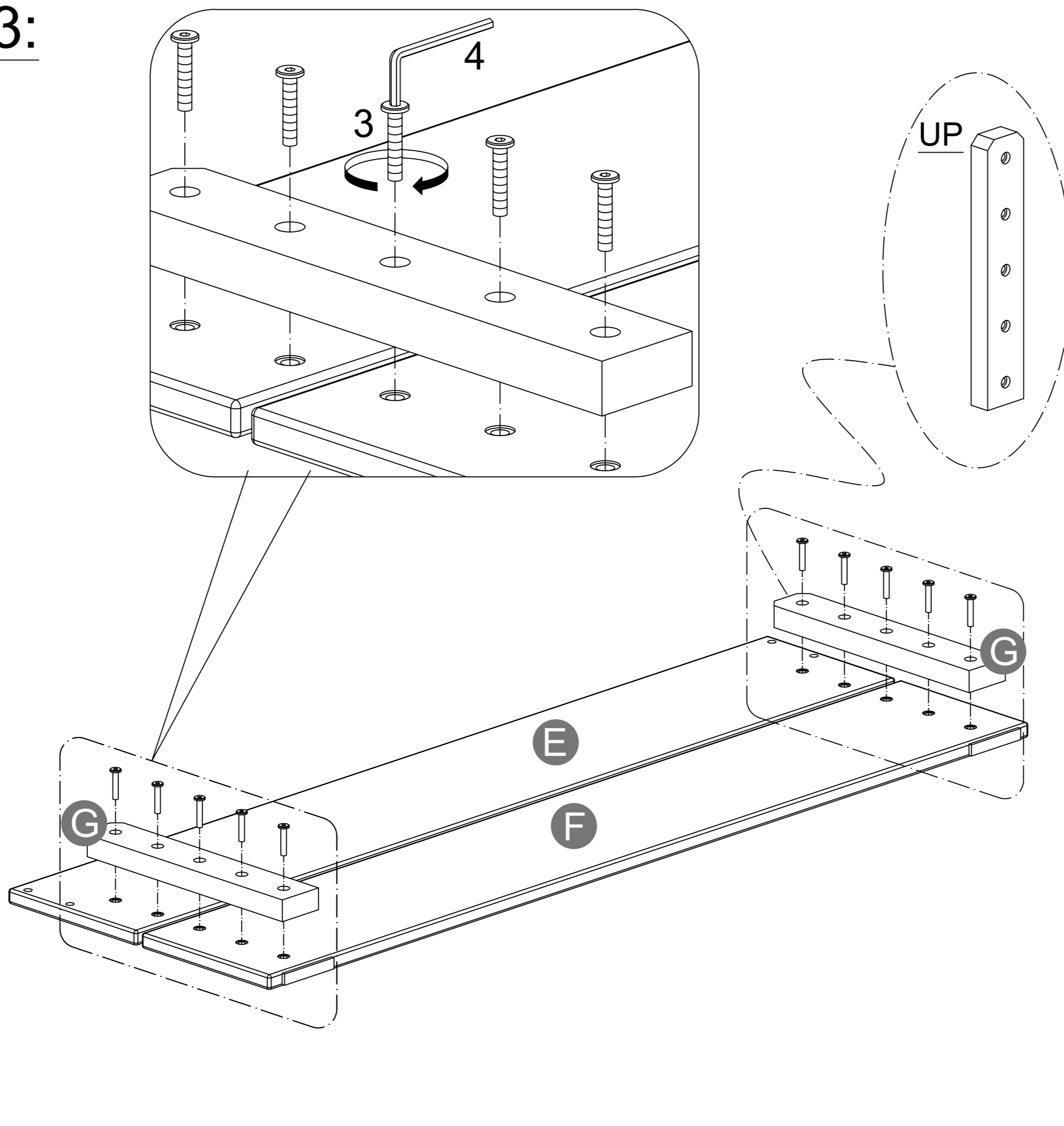
15  100*62*19mm Wheels (4pcs)	16  70*38*19mm Stopper (2pcs)
--	---

ASSEMBLY TOOLS REQUIRED (NOT INCLUDED)

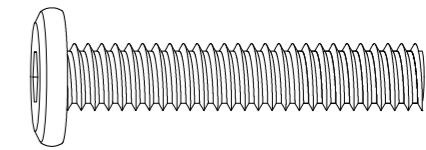


DO NOT USE POWER TOOLS TO ASSEMBLE THIS PRODUCT !

STEP 3:

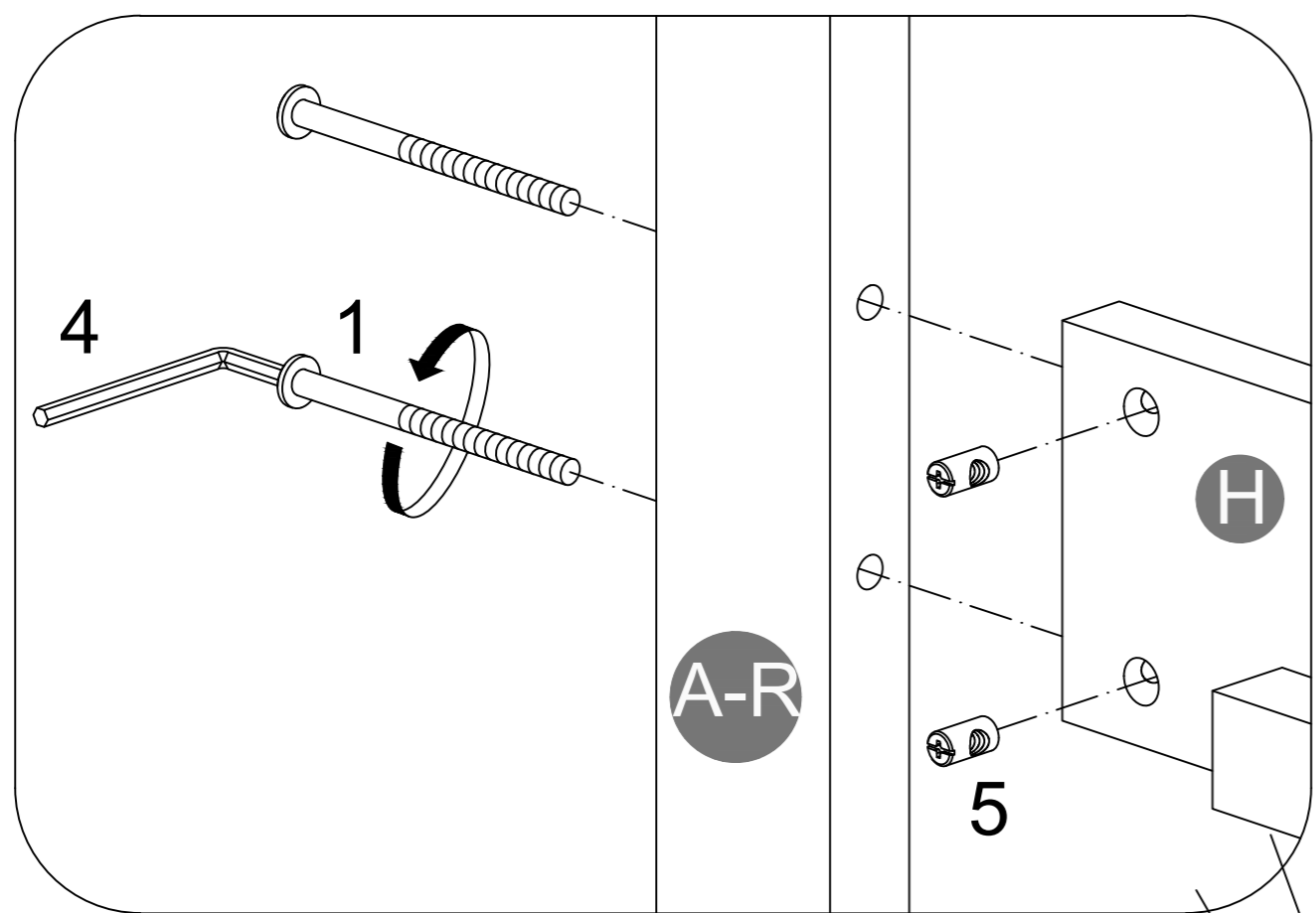


3

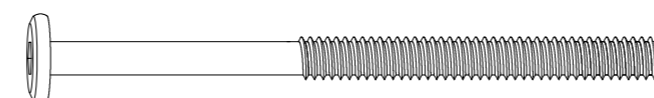


10pcs

STEP 4:

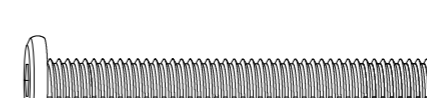


1



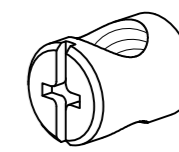
4pcs

2

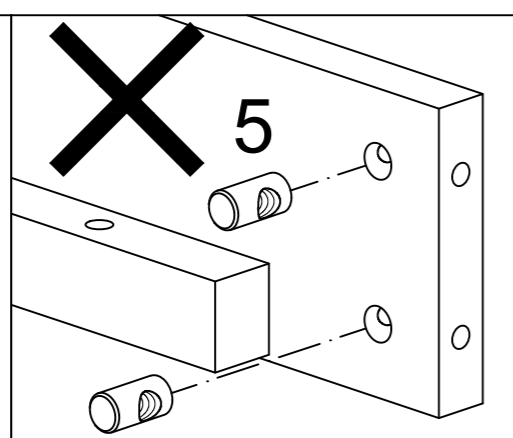
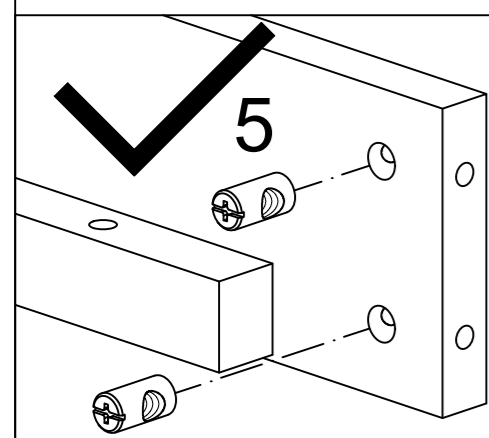
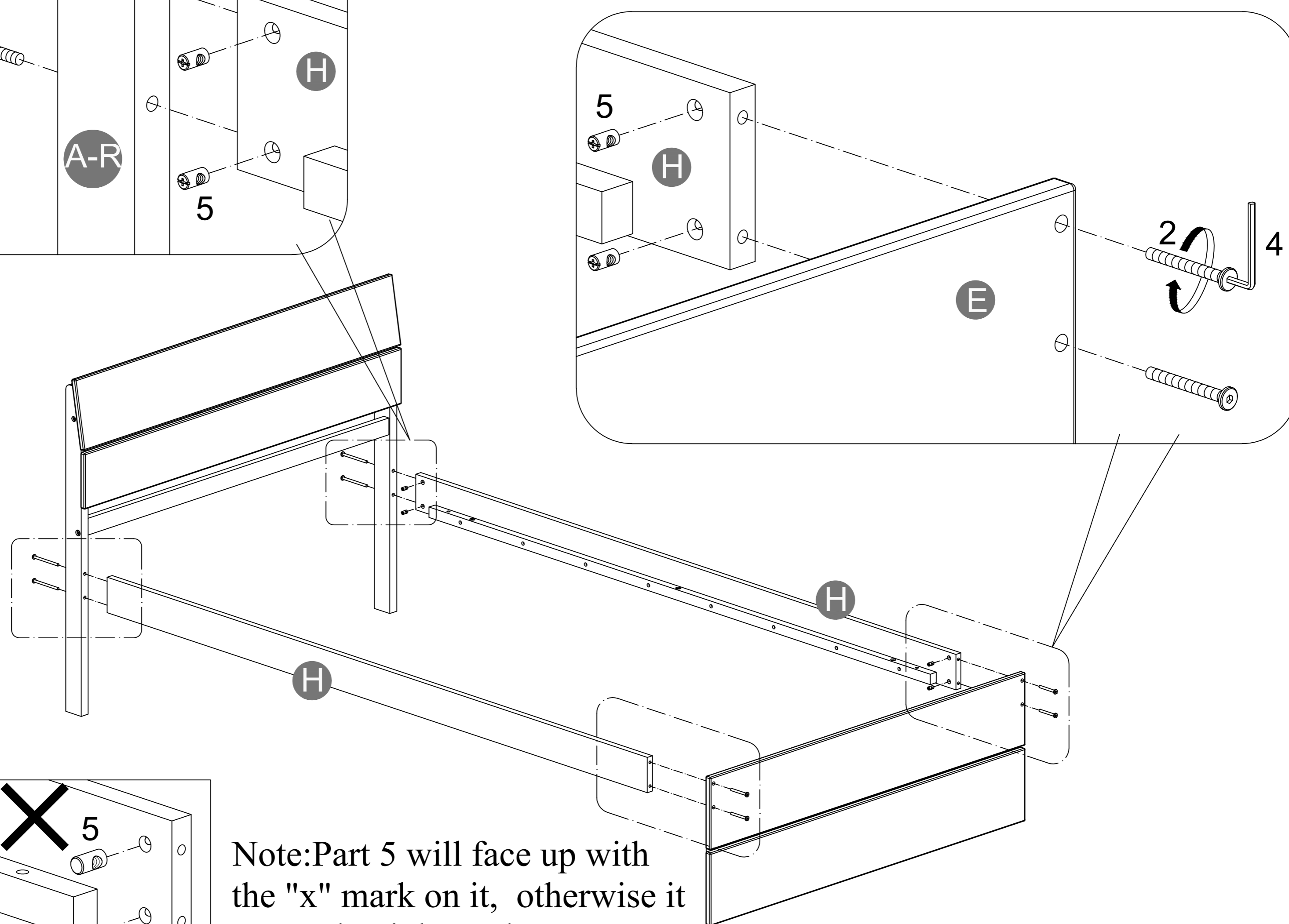


4pcs

5



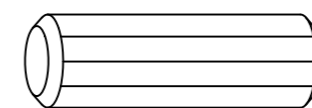
8pcs



Note: Part 5 will face up with the "x" mark on it, otherwise it cannot be tightened

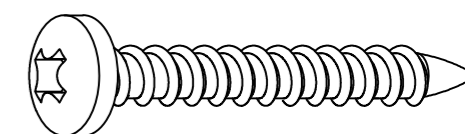
STEP 5:

6

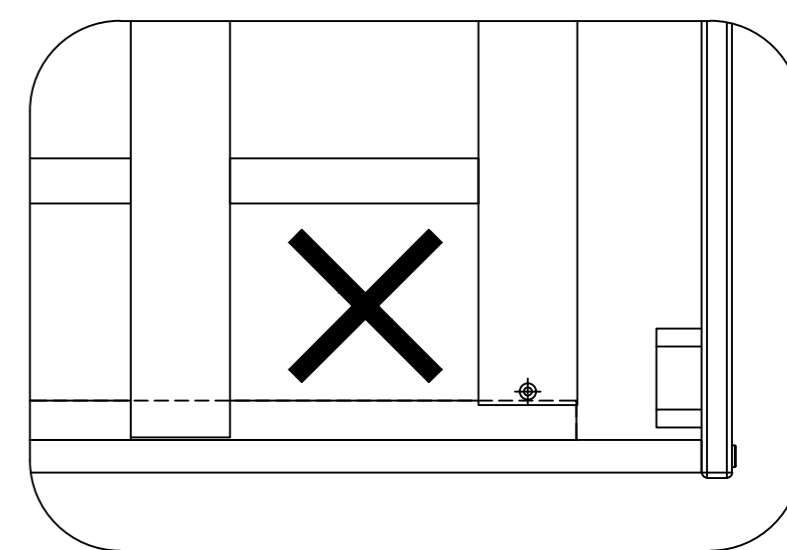
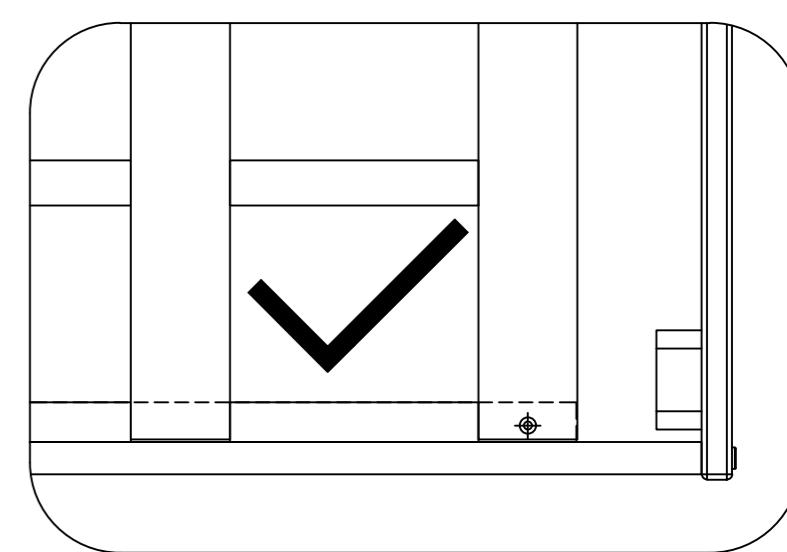
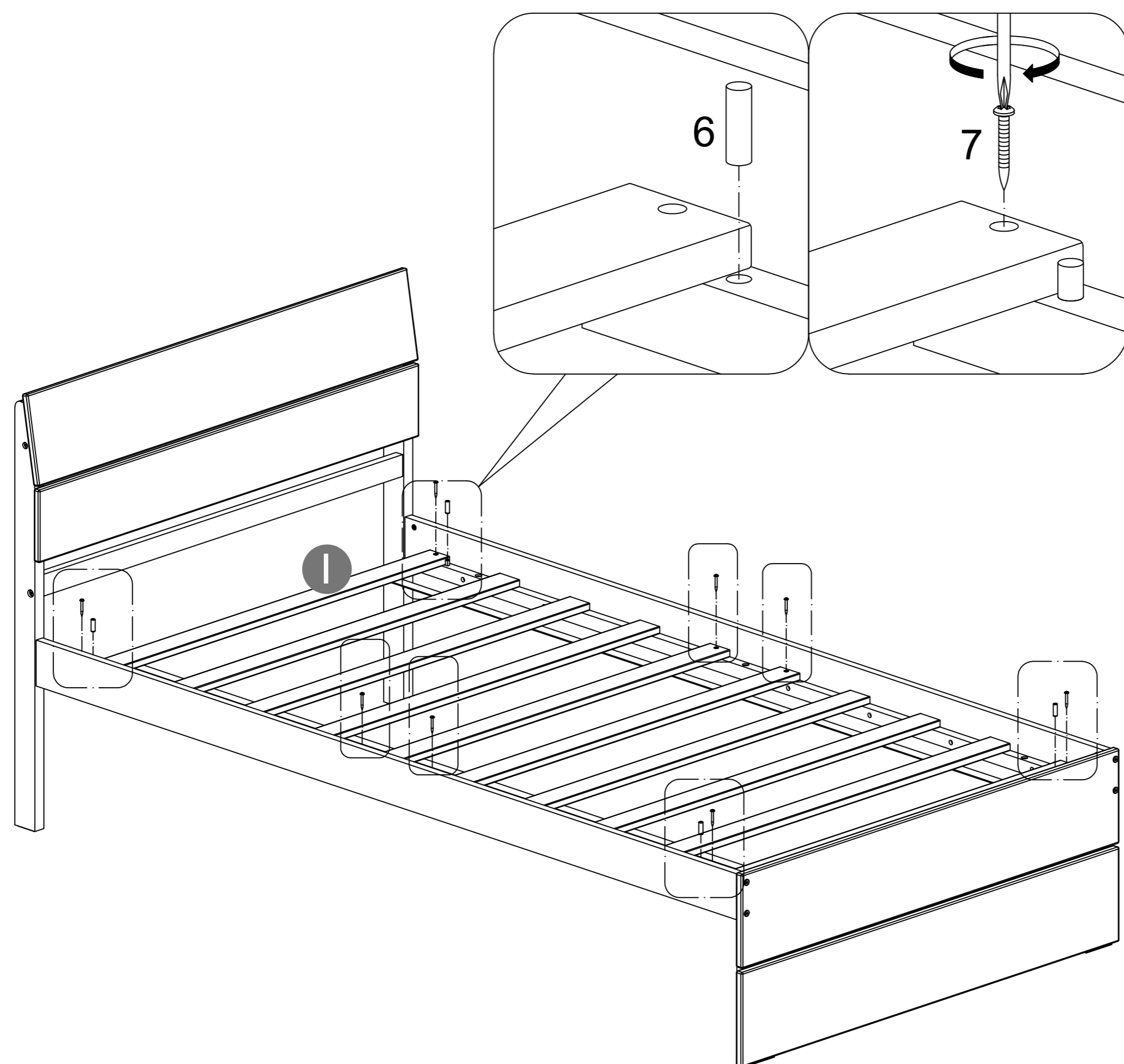


4pcs

7



8 pcs



Note: Do not lock the screws of the bed slats to the outermost edge of the bed slats, you need to leave a certain space at the edges, otherwise it will cause the board to break. Do not lock the bed slats on the edge of the wood, please hold firmly before screwing, hold it in place with one hand, then lock the screw.

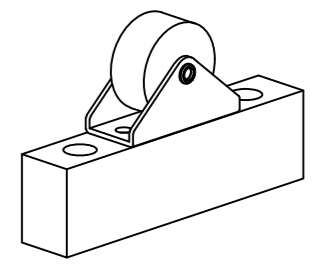
STEP 6:

11

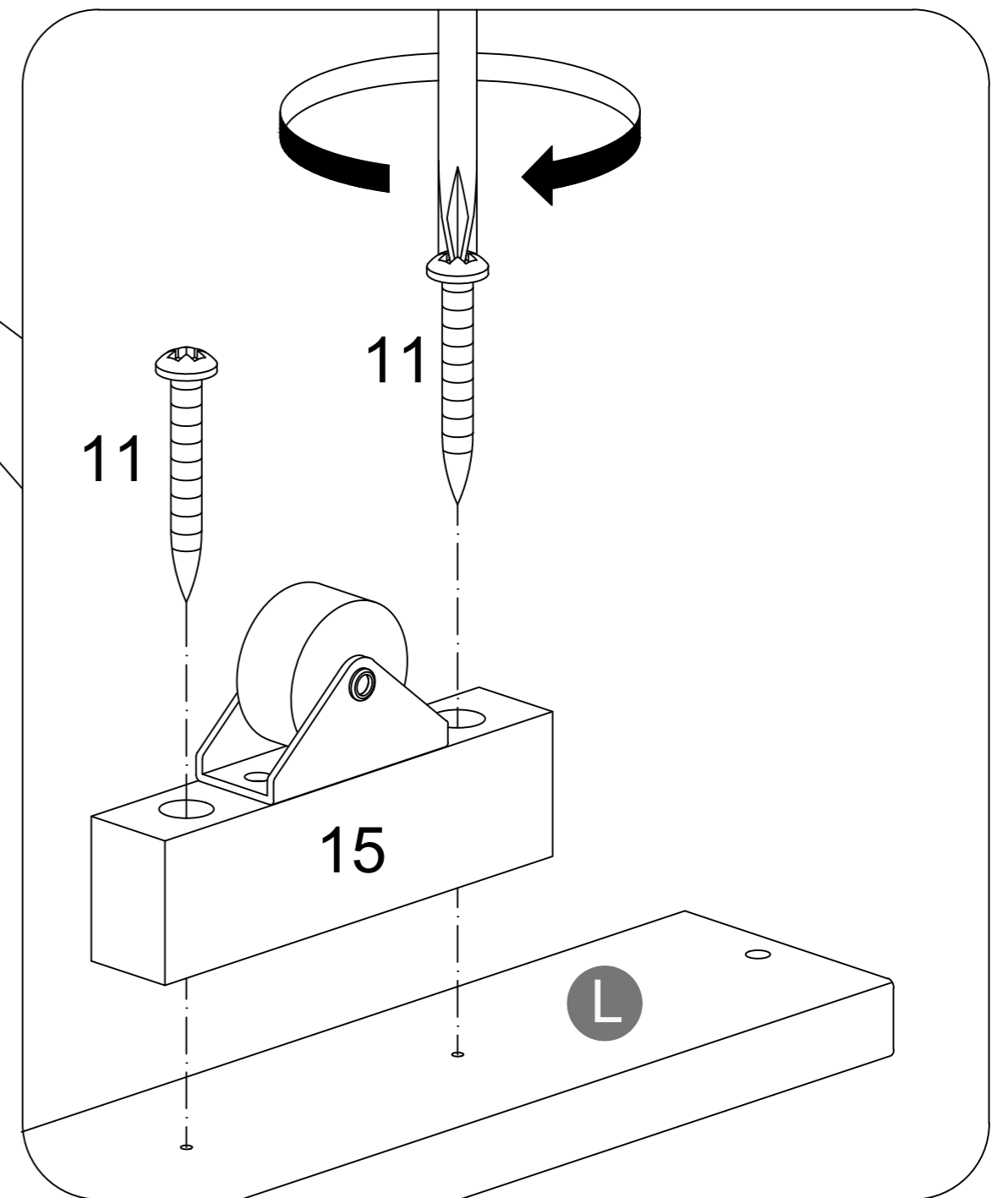
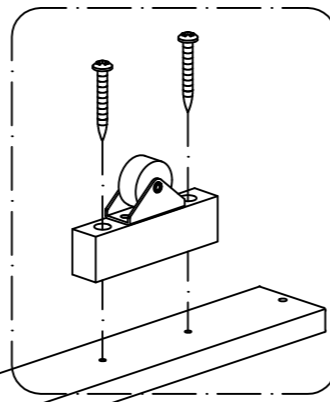
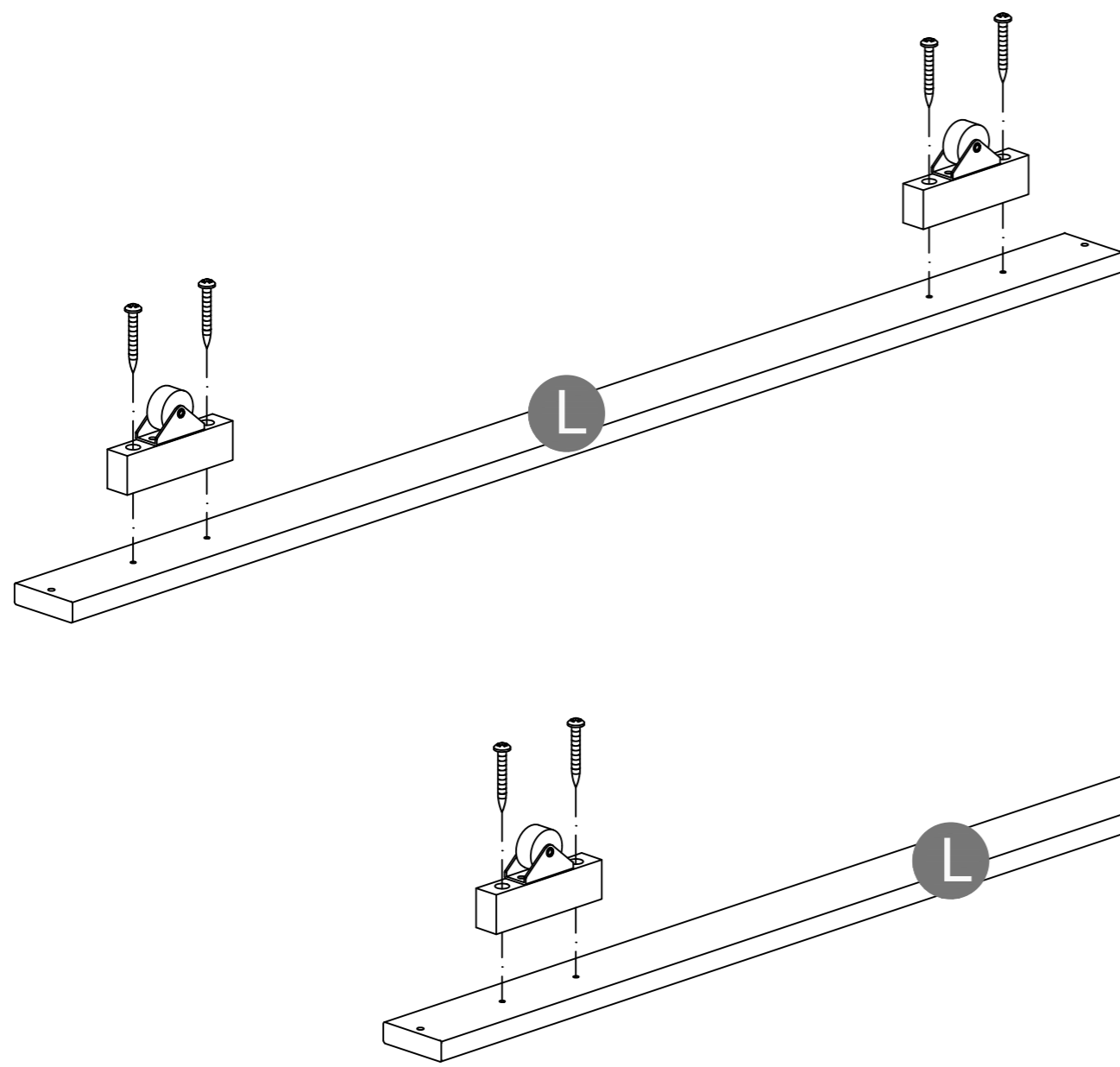


8 pcs

15

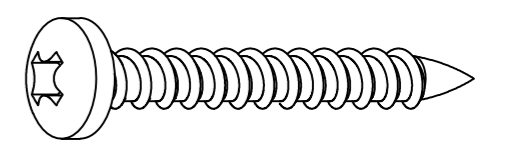


4 pcs

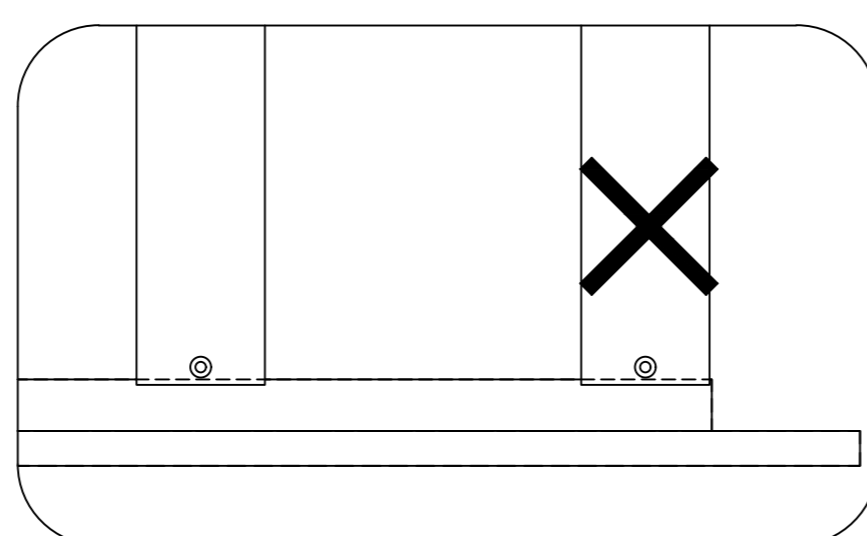
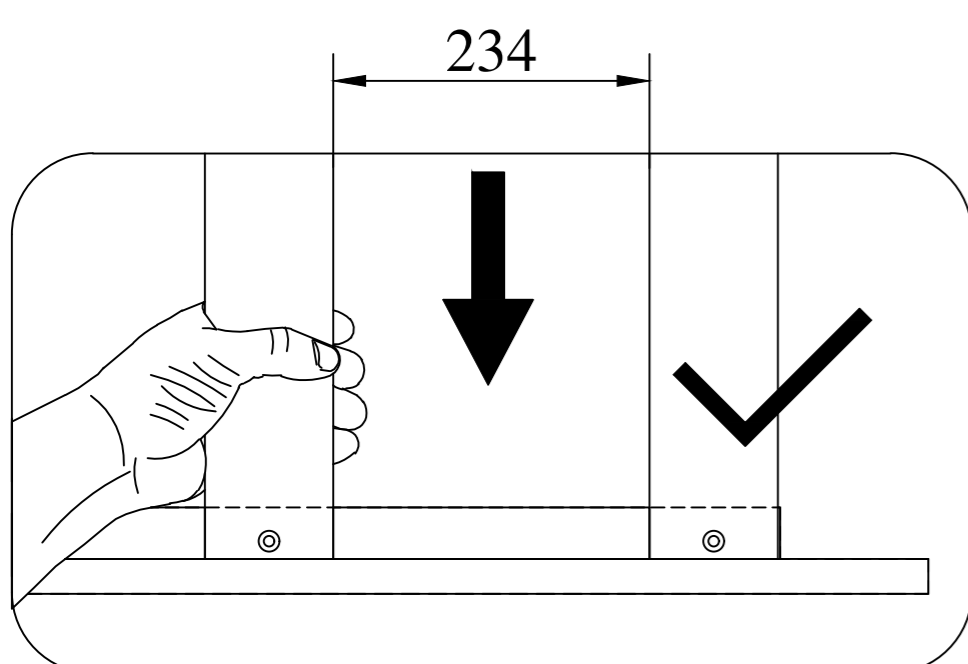
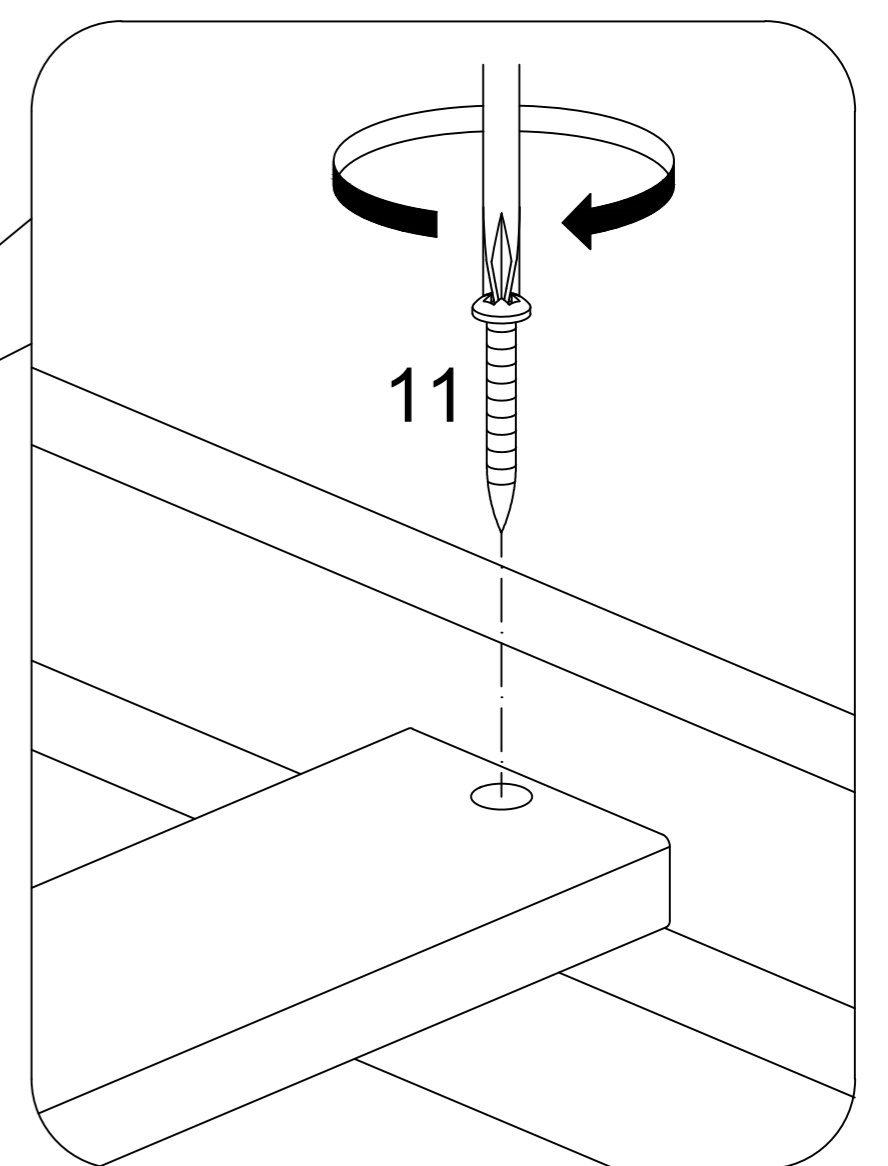
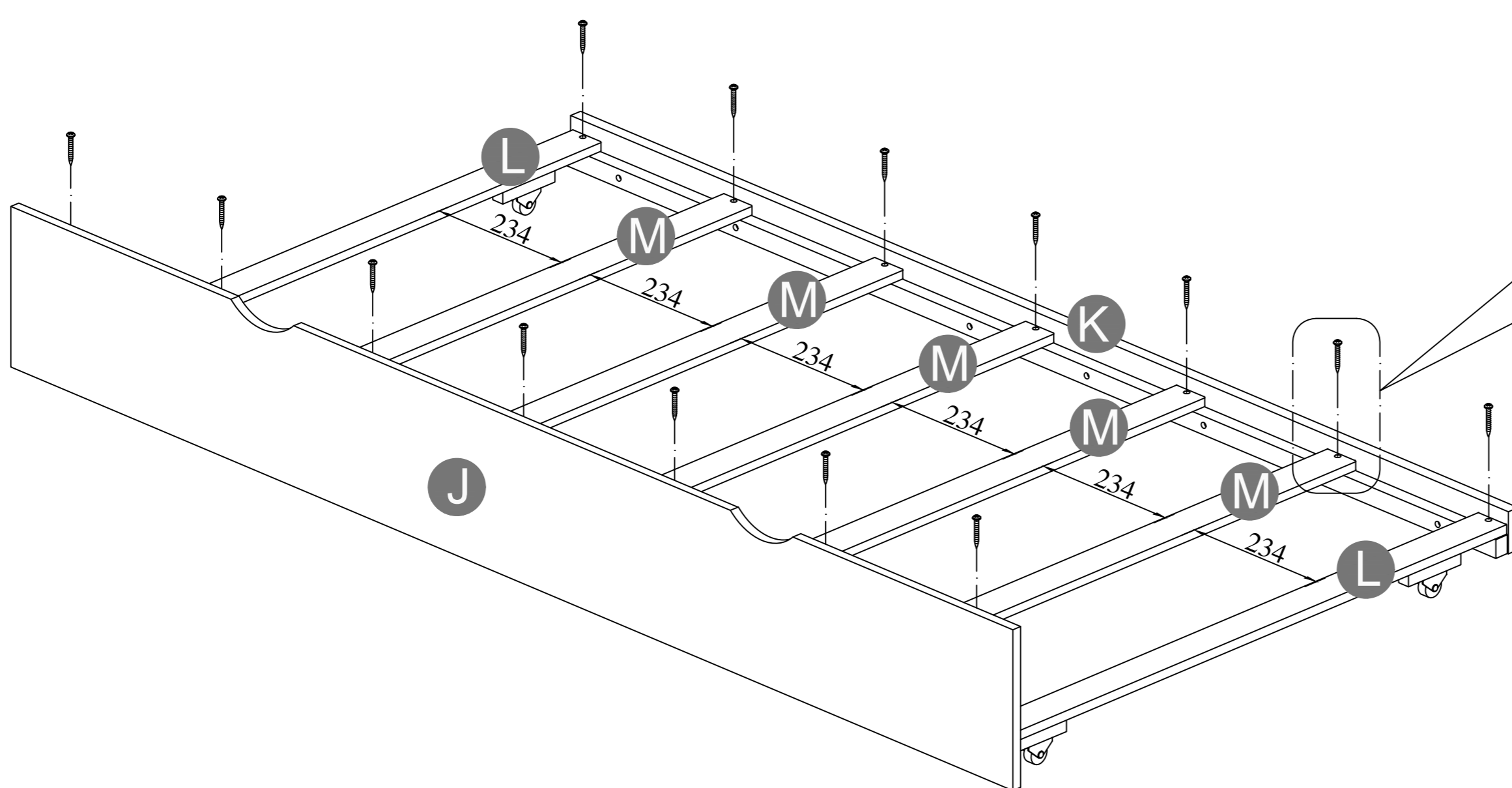


STEP 7:

11

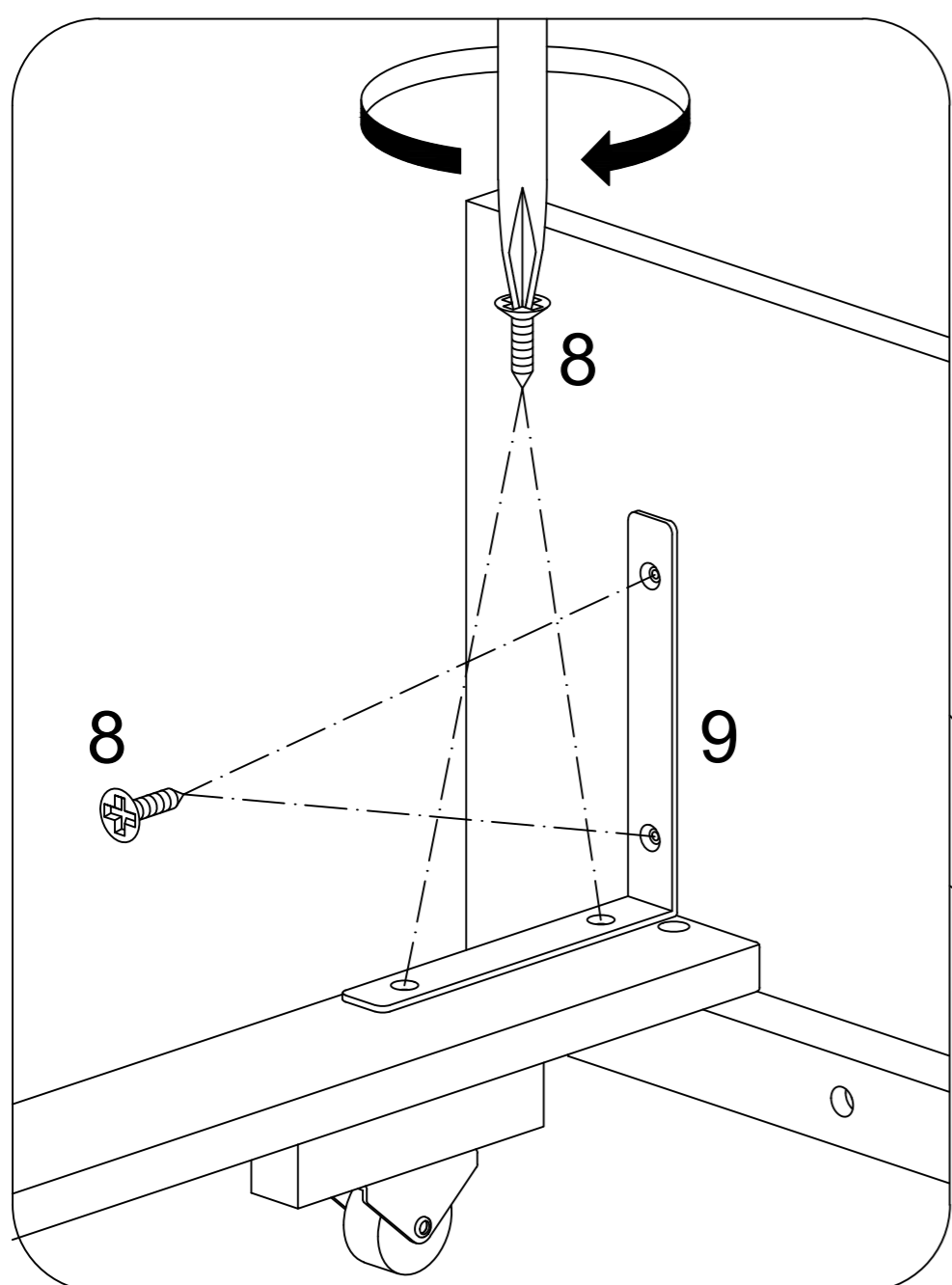


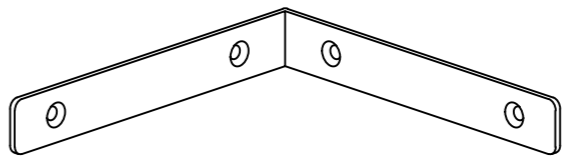
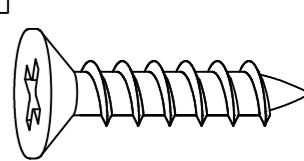
14 pcs

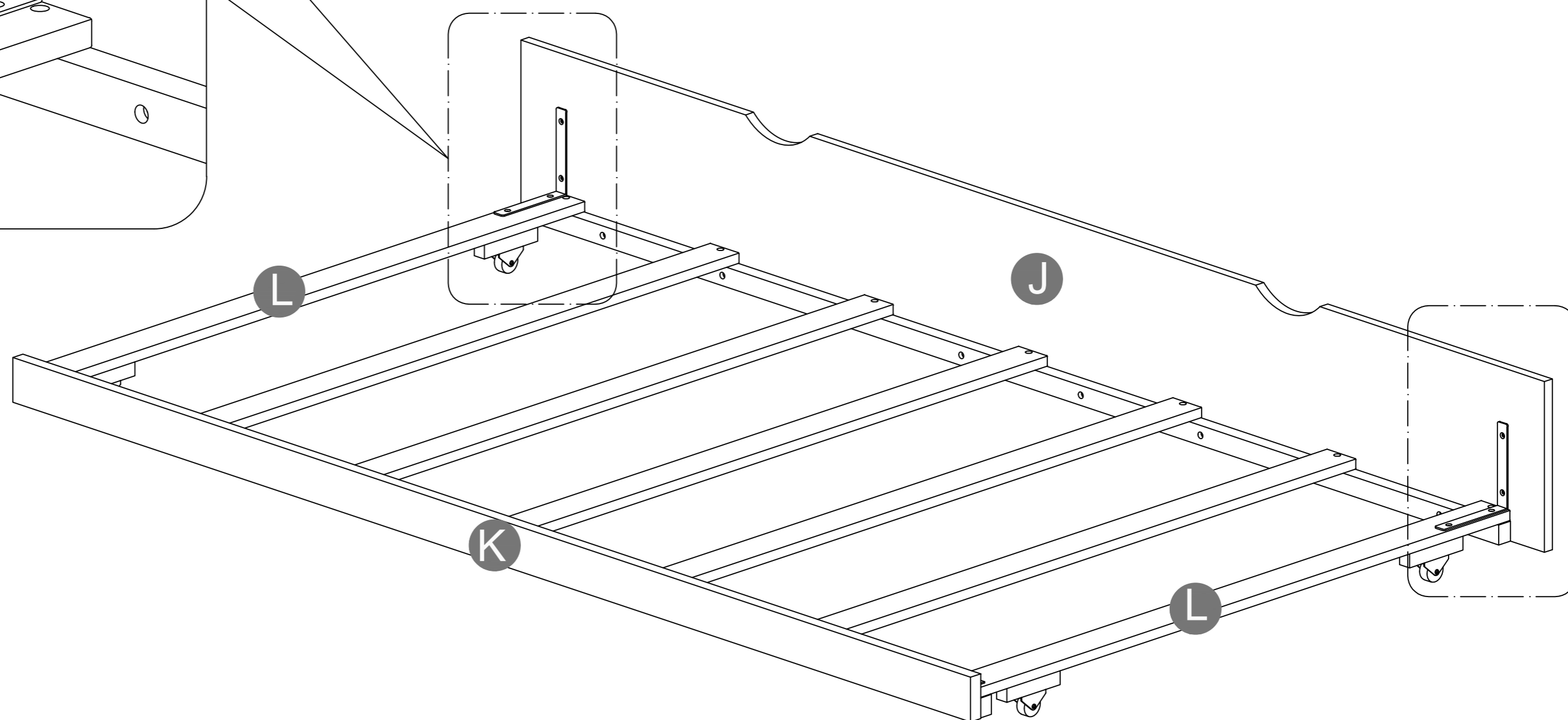


Note: Do not lock the screws of the bed slats to the outermost edge of the bed slats, you need to leave a certain space at the edges, otherwise it will cause the board to break. Do not lock the bed slats on the edge of the wood, please hold firmly before screwing, hold it in place with one hand, then lock the screw

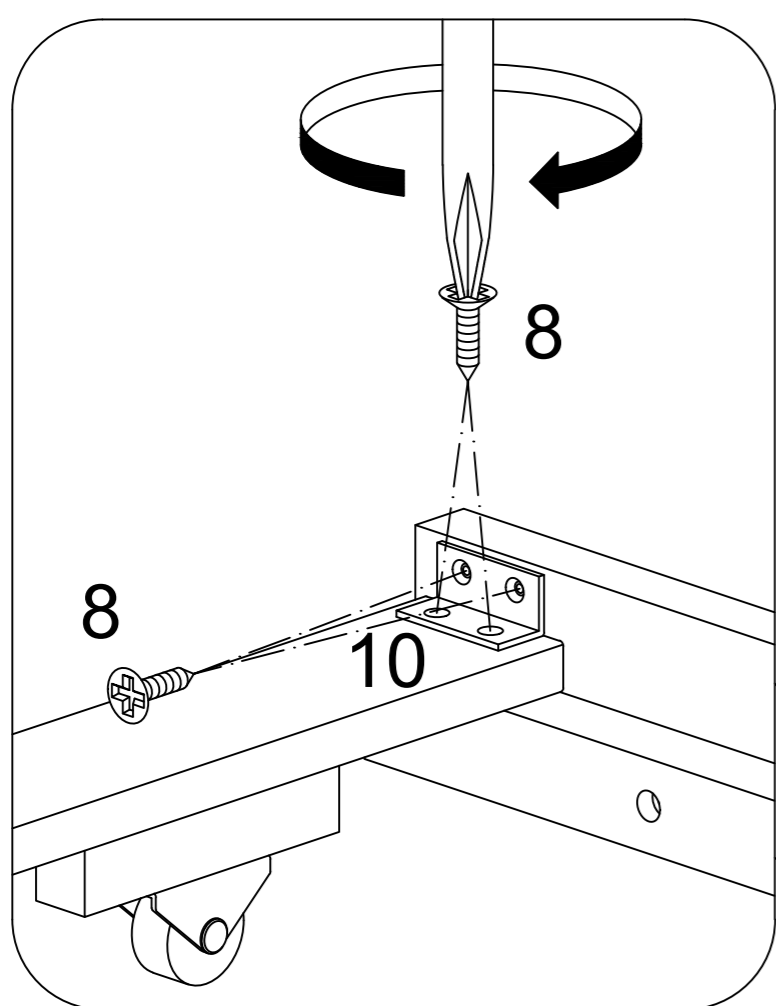
STEP 8:

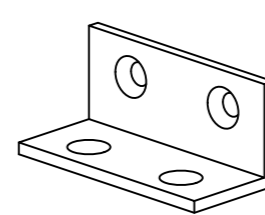
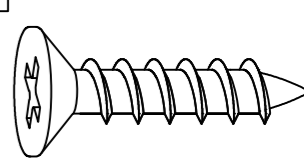


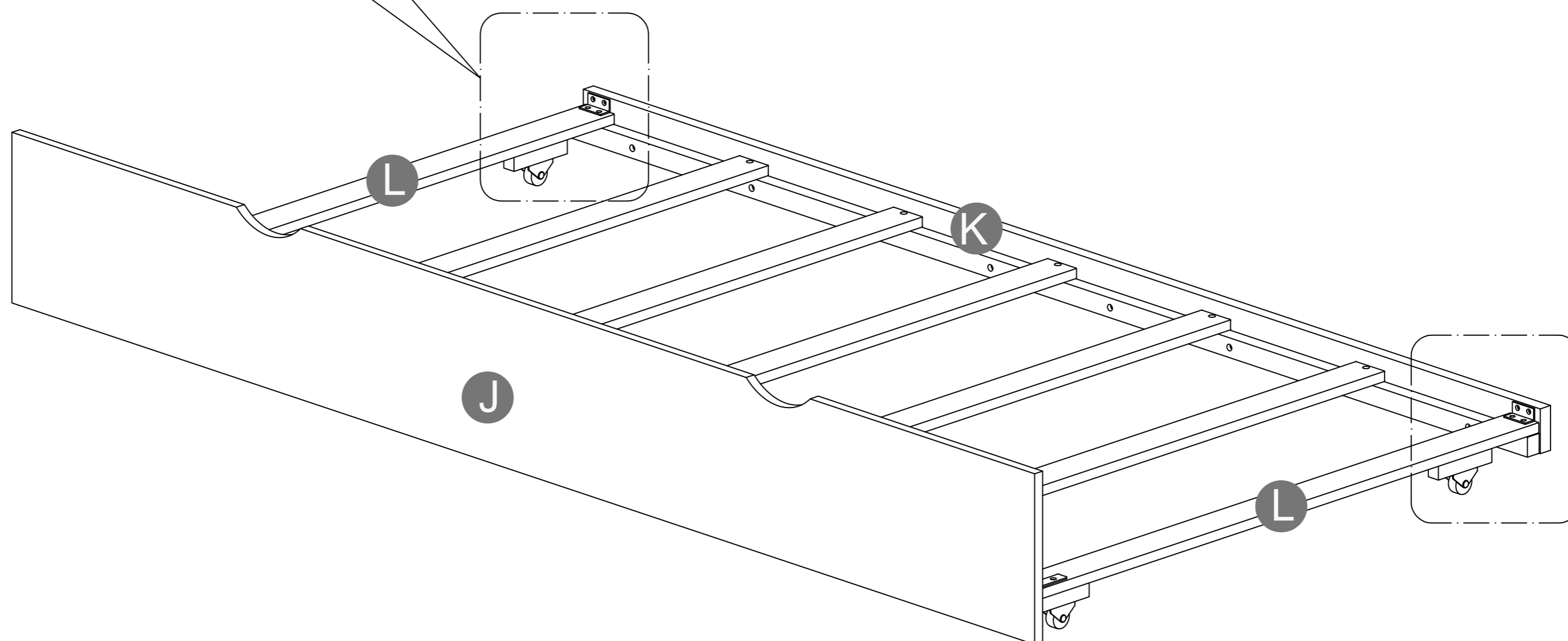
9		8	
2pcs		8 pcs	



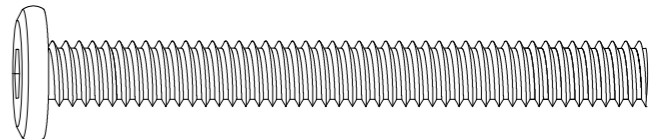
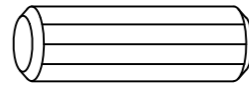
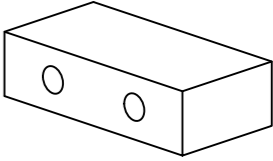
STEP 9:

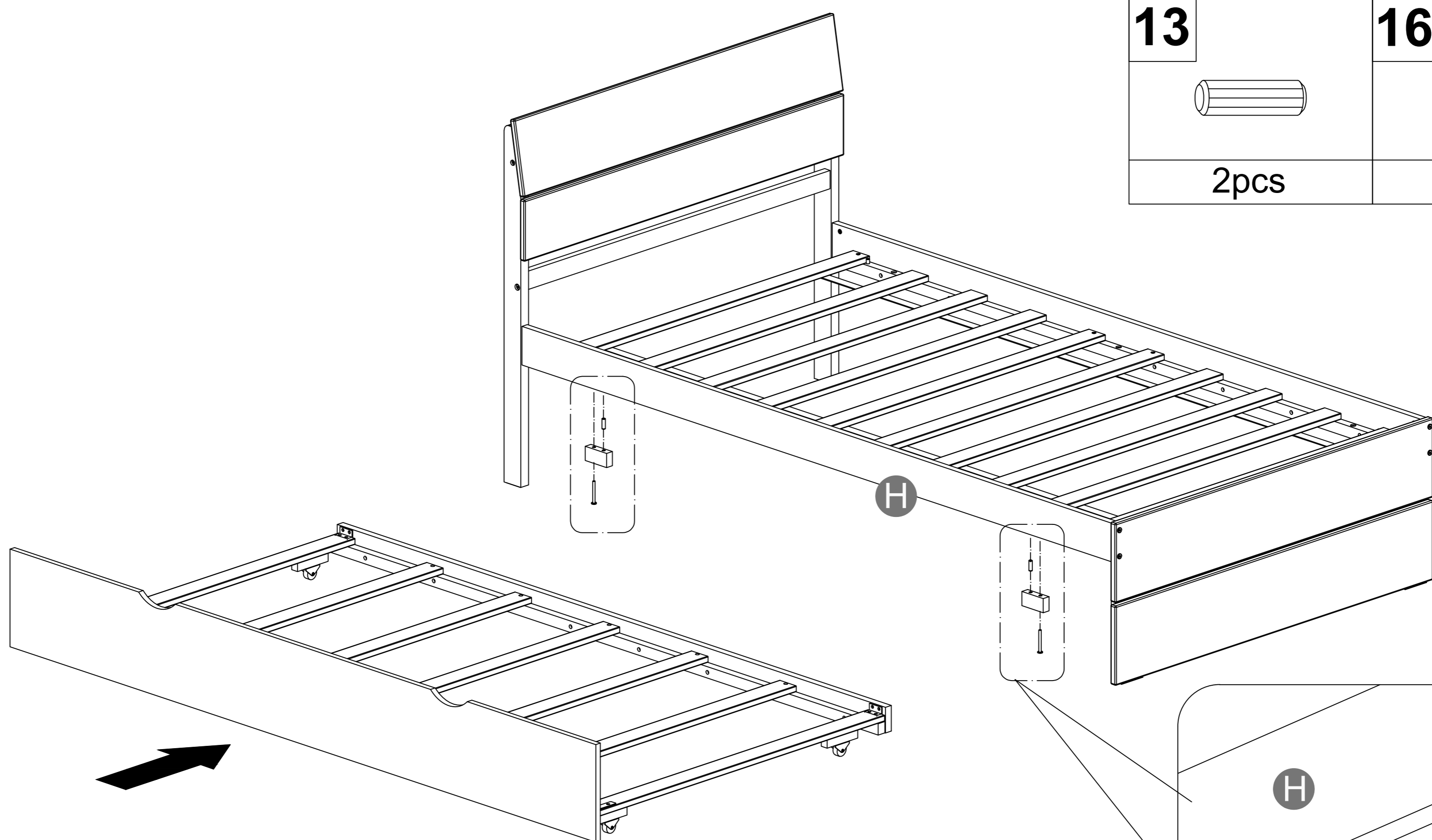


10		8	
2pcs		8 pcs	

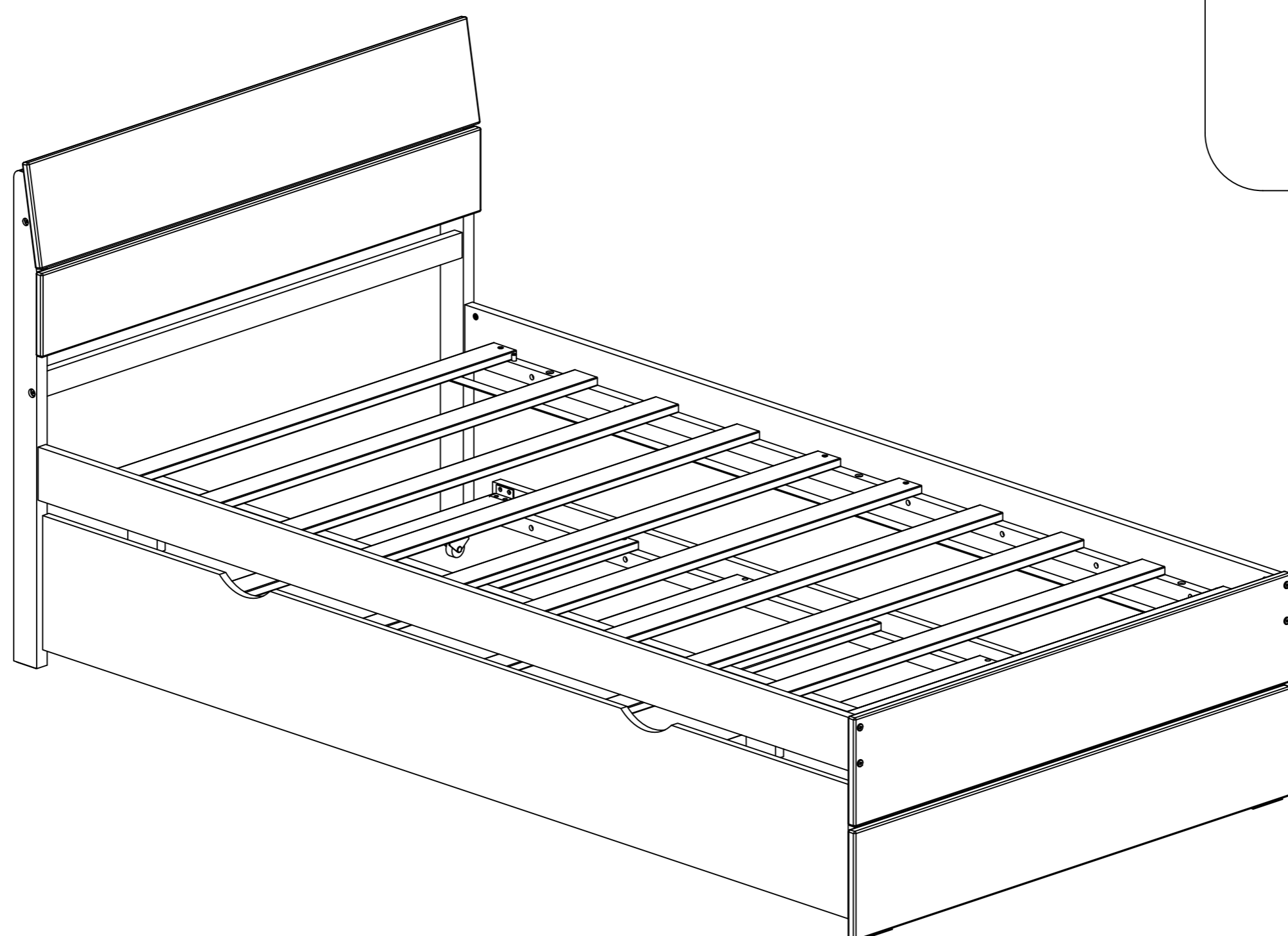
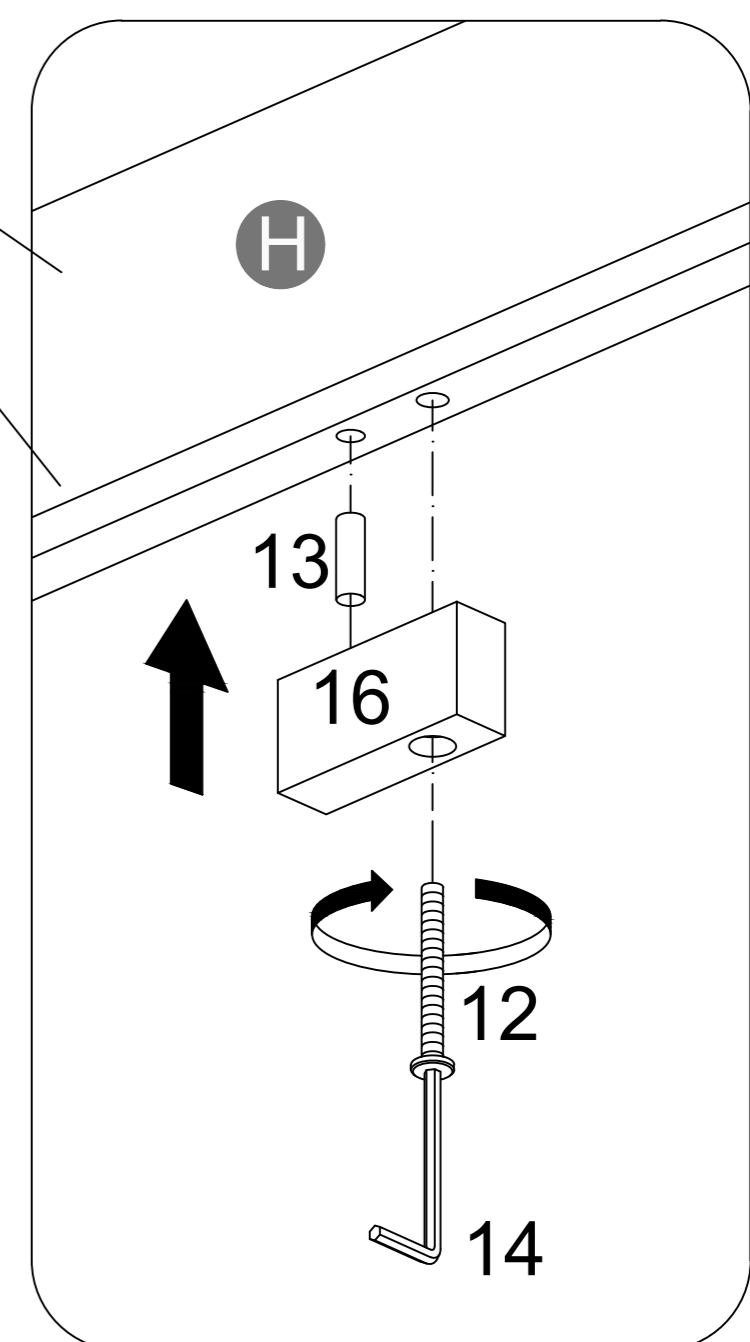


STEP 10:

12		
2pcs		
13		16
2pcs		
2pcs		2pcs



Push Trundle under the bottom of Bed.



Make sure to tighten all the screws of the bed.