

NOTICE

- * Please make sure that you have all parts indicated and they are in good condition before you begin assembly of this item. Refer to part list and hardware list below for guidance.
- * This item should be assembled on a soft surface to prevent scratching the finish during assembly.
- * This item may require periodic tightening.
- * If you are having difficulty, our friendly Customer Care team is always here to help. Please email customersupport@safavieh.com

PREPARATION


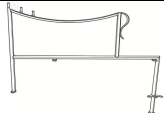
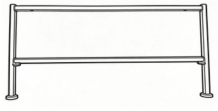

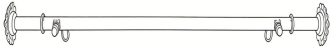
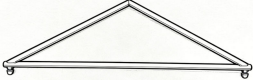
- * Before beginning assembly of product, make sure all parts are present. Compare parts with part contents list and hardware contents list.
- * If any part is missing or damaged, do not attempt to assemble the product.
- * Estimated Assembly Time: 10 minutes.
- * Tools Required for Assembly (included): Spanner

CARE AND MAINTENANCE

OUTDOOR FURNITURE CARE

Store outdoor furniture indoors or cover well when not in use. Remove wooden furniture from standing water. Dust regularly with small brush or vacuum. Spills should be taken care of immediately before they harden or stain with a slightly dampened sponge.

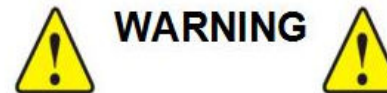
Part List and Hardware List

PIECE	DESCRIPTION	PICTURE	QUANTITY
A	seat & backrest		1x
B	armrest-equipped feet		2x
C	support leg		1x
D	wheels		2x
E	wheels bar		1x
F	triangular bracket		1x







Model#PAT5052

Product Dimensions 32.5"W x67.25" D x48.8" H



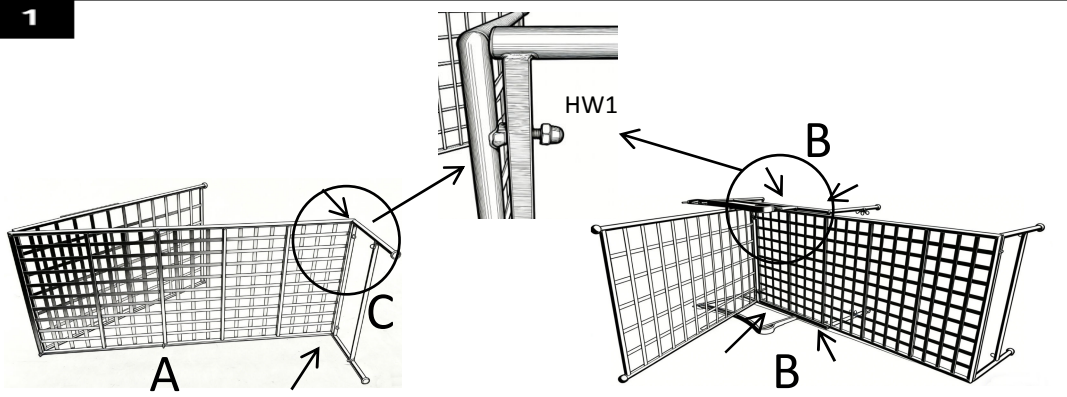
WARNING

Weight Capacity-550LBS
 Warning: Do not stand on Bench
 Warning: Do not over torque bolts

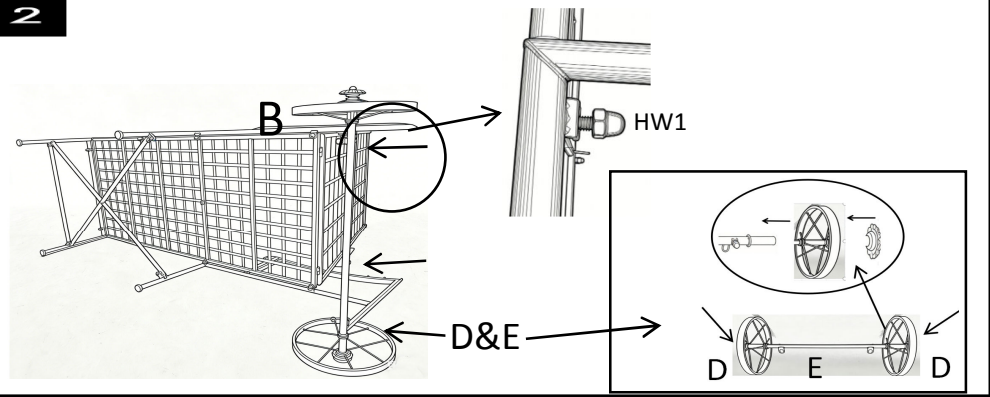
PIECE	DESCRIPTION	PICTURE	QUANTITY
G	bottom cross bar		2X
H	detachable gear lever		1x
HW1	NUTS-8MM		19x
HW2	SPANNER		1x

PREPARATION

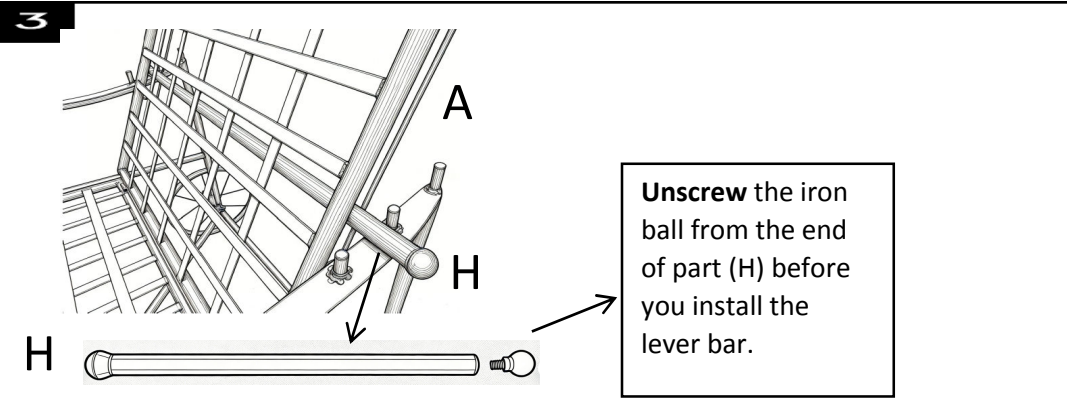
- * Before beginning assembly of product, make sure all parts are present. Compare parts with part contents list and hardware contents list.
- * If any part is missing or damaged, do not attempt to assemble the product.
- * Estimated Assembly Time: 15 minutes.
- * Tools Required for Assembly (included): Spanner
- * If you are having difficulty, our friendly Customer Care team is always here to help. Please email customersupport@safavieh.com



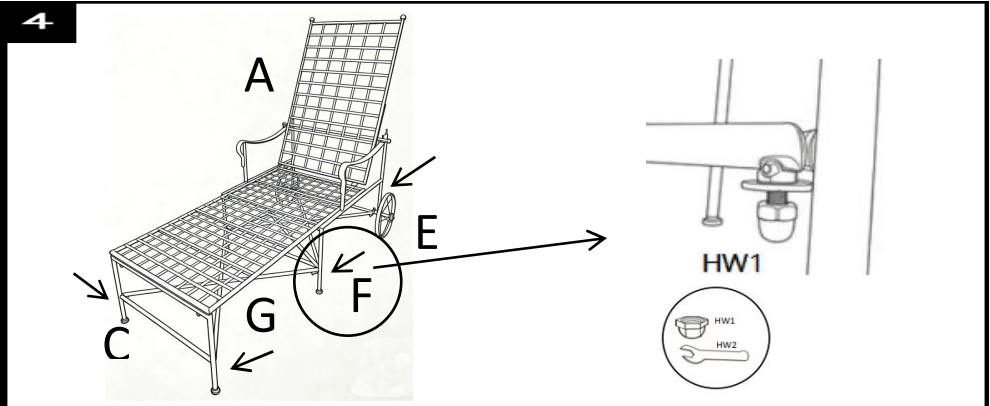
step1
Place the seat and backrest(A) sideways, and lock the support legs(C). Lock the armrest-equipped feet(B) to the seat(A) as well. Make sure there are space between PartA&B when you tight the nuts.



step2
Assemble the two wheels(D) onto the wheel bar(E) by the way Lock the wheels from last step into the legs(B) as well, and tight it by nuts provided.



step3
Install the detachable gear lever(H) behind the backrest(A) to adjust the tilt angle of the backrest. Loosen the nut in the bottom(From step1) a little bit If backrest and armrest are too tight to adjust the height.



step4
Assemble the triangular bracket(F) and cross bar(G) at the bottom onto the chair legs(B&E). Make sure all nuts are tight before use it.