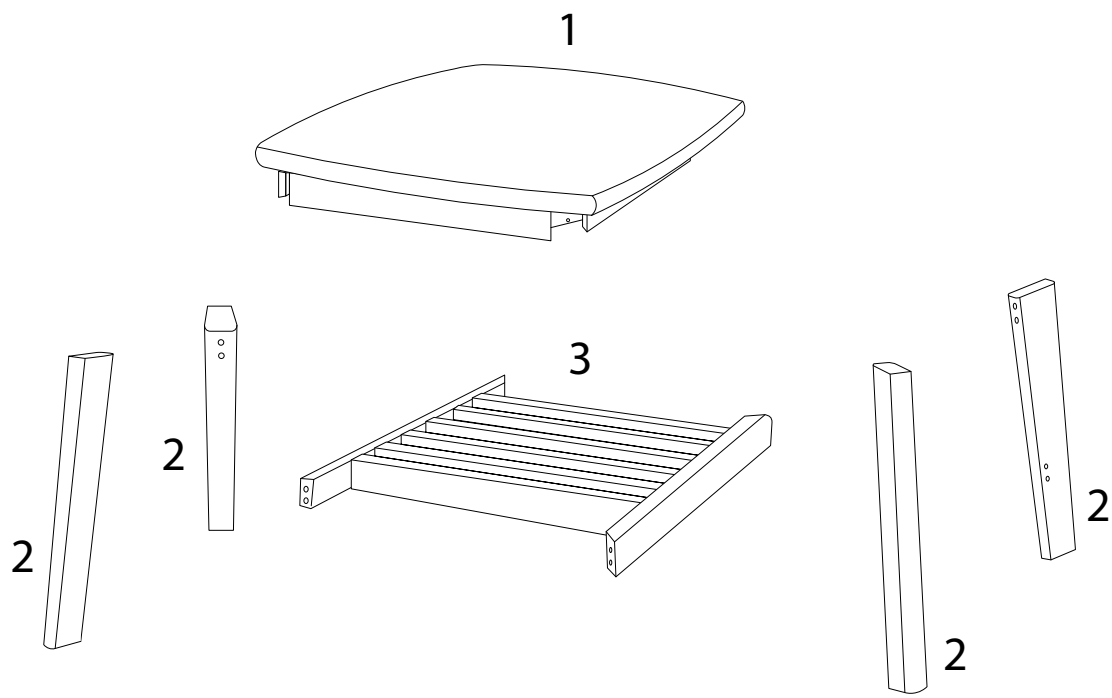
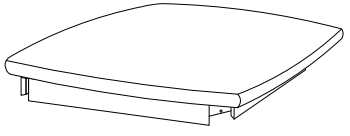
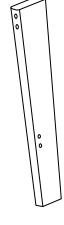
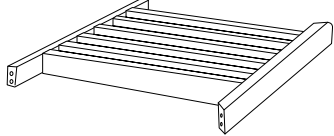


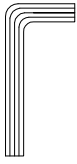

30'

2



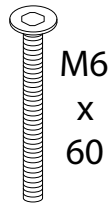
<p>1</p>  <p>x 1</p>	<p>2</p>  <p>x 4</p>	<p>3</p>  <p>x 1</p>
---	---	---

A



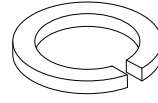
x 1

B



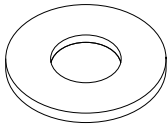
x 8

C



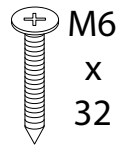
x 8

D



x 8

E



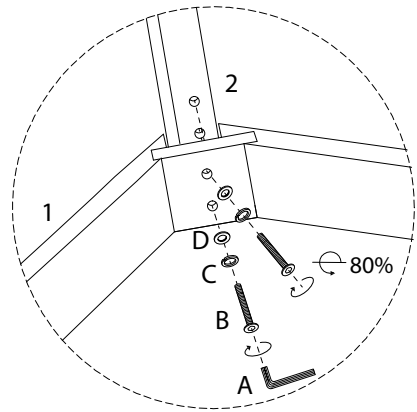
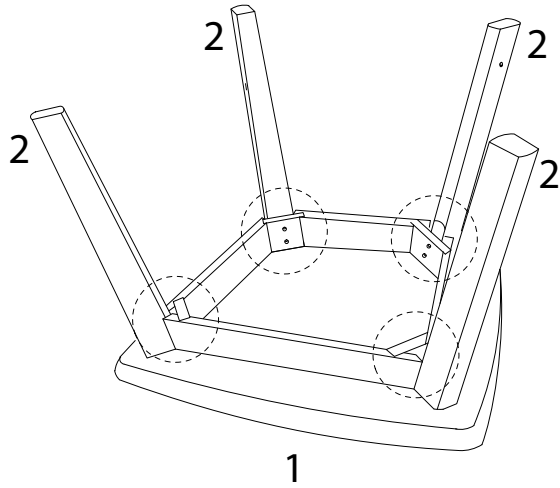
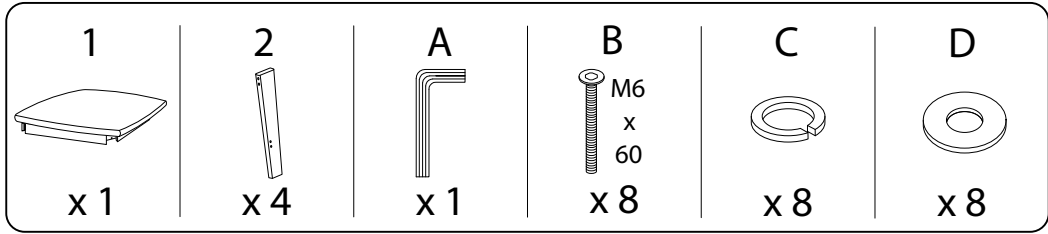
x 4

F

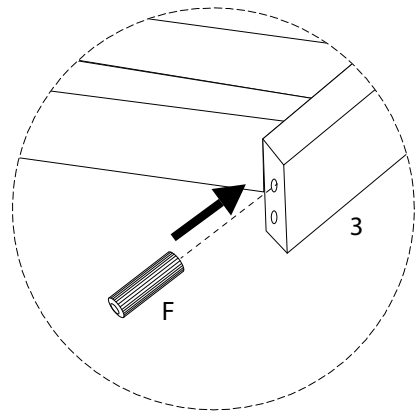
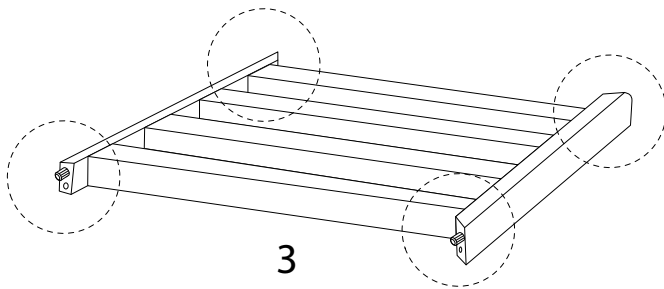
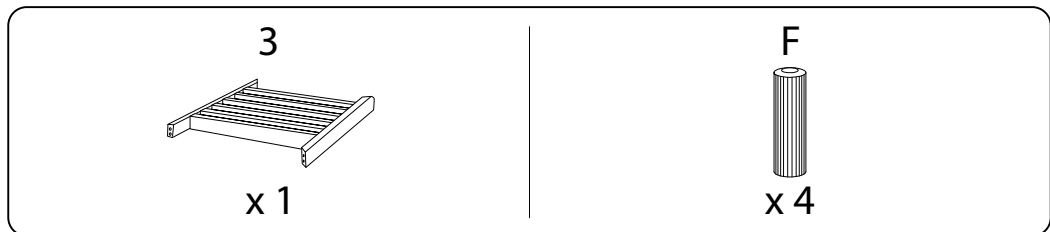


x 4

1

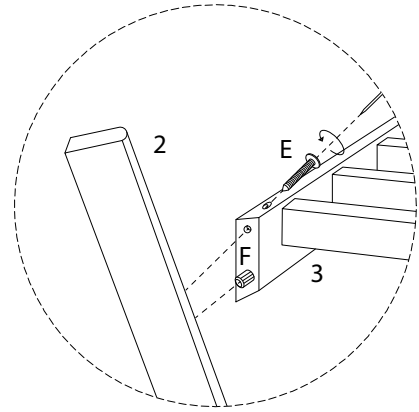
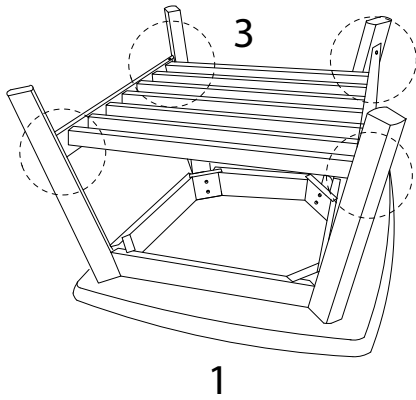


2



3

E  
M6  
x  
32  
x 4



4

A  
x 1

