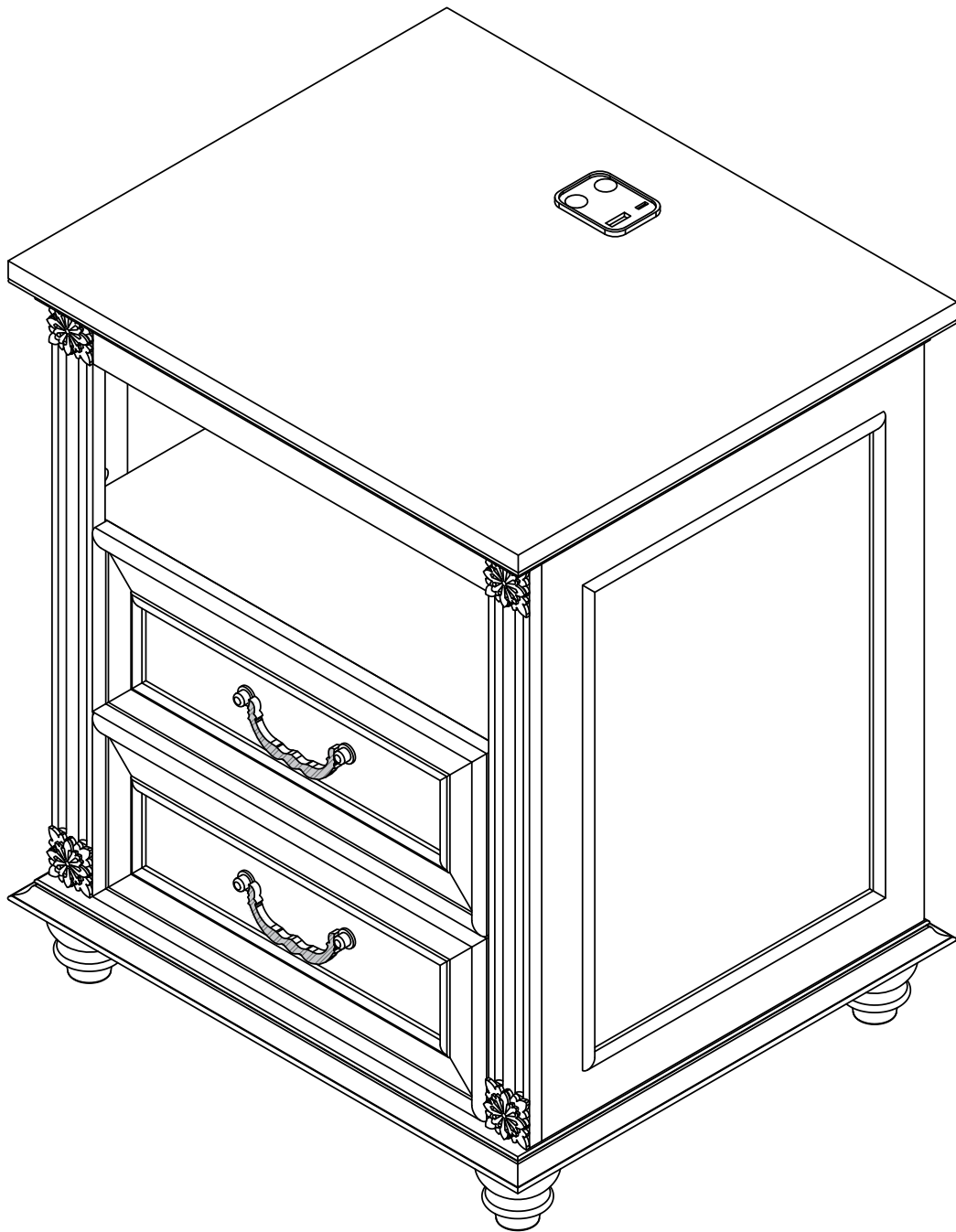
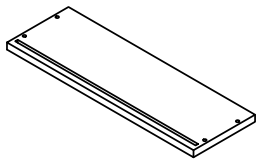
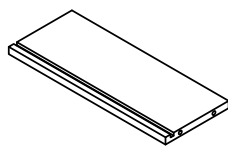


Product Installation Instructions

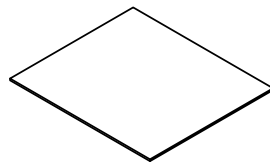




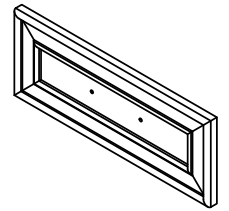
1 x2



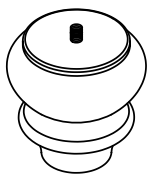
2 x4



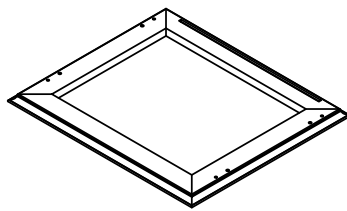
3 x2



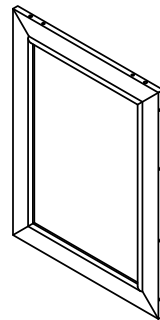
4 x2



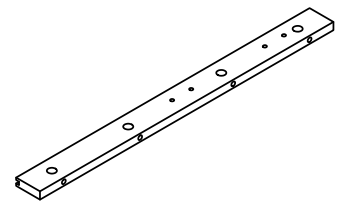
5 x4



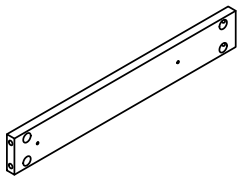
6 x1



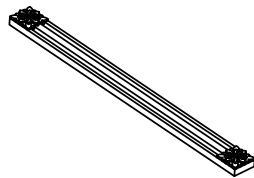
7 x1



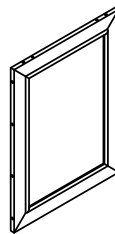
8 x1



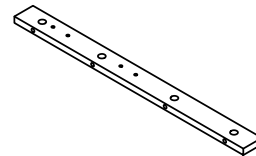
9 x4



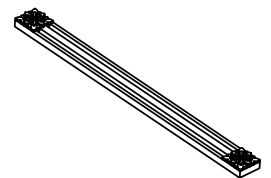
10x1



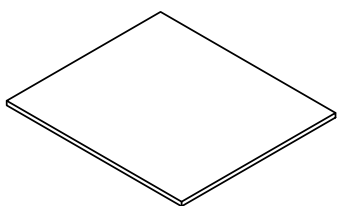
11x1



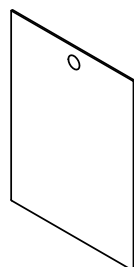
12x1



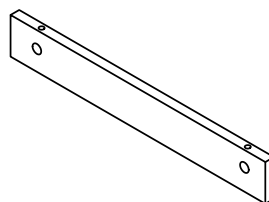
13x1



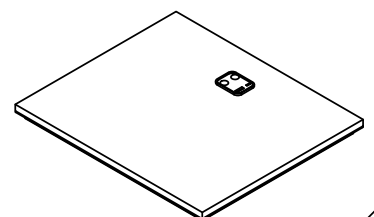
14x1



15x1



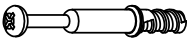


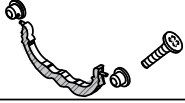
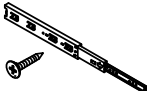
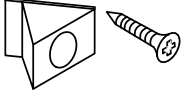


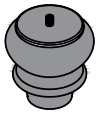
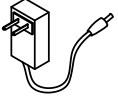
16x1

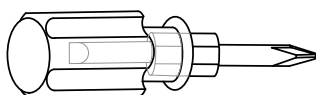


17x1

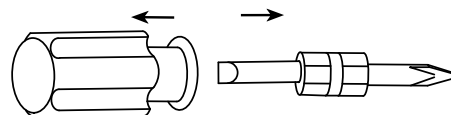
2

Accessories list

| | | | |
|---|---|----------------------------------|------------------------|
| A |  | Two In One Screw (6x28mm) | 62pcs +4pcs |
| B |  | Two In One Nut (10x12mm) | 62pcs +4pcs |
| C |  | Wood Chipping (6x30mm) | 8pcs +2pcs |
| D |  | Handle & Screw (4x8mm) | 4pcs +2pcs 2pcs |
| E |  | Screw & Guide (29cm) (3x12mm) | 20pcs +4pcs 4pcs |
| F |  | Fixing Clip & Screw (3x16mm) | 4pcs +2pcs |
| G |  | Non-slip pads (φ 20x3mm) | 4pcs +2pcs |
| I |  | Perfect sticker | 8pcs +2pcs |
| |  | Wooden feet (φ 60x60mm) | 4pcs |
| |  | AC/DC Adapter (12V=2.0A) | 1pcs |

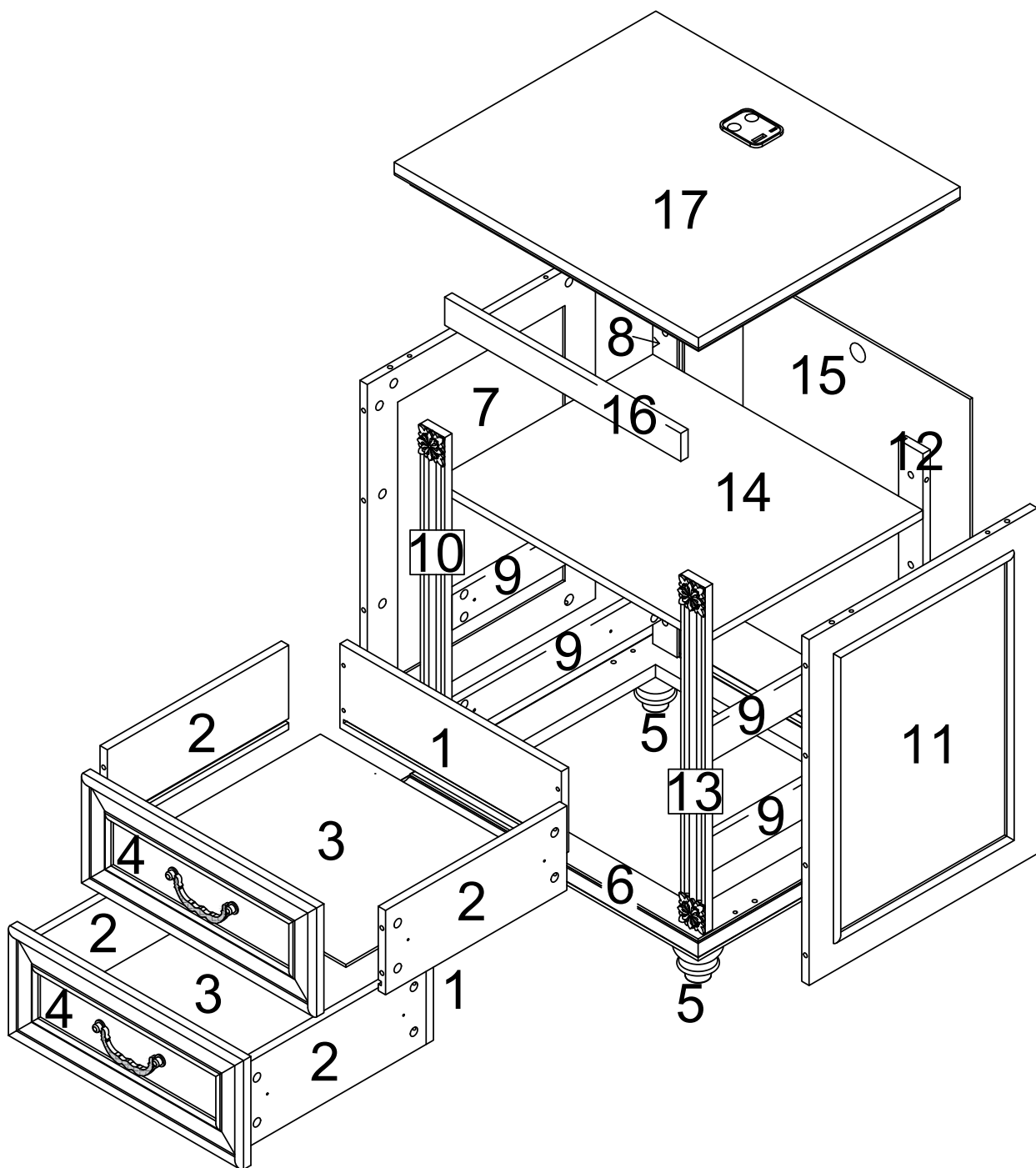


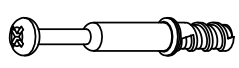



1pcs

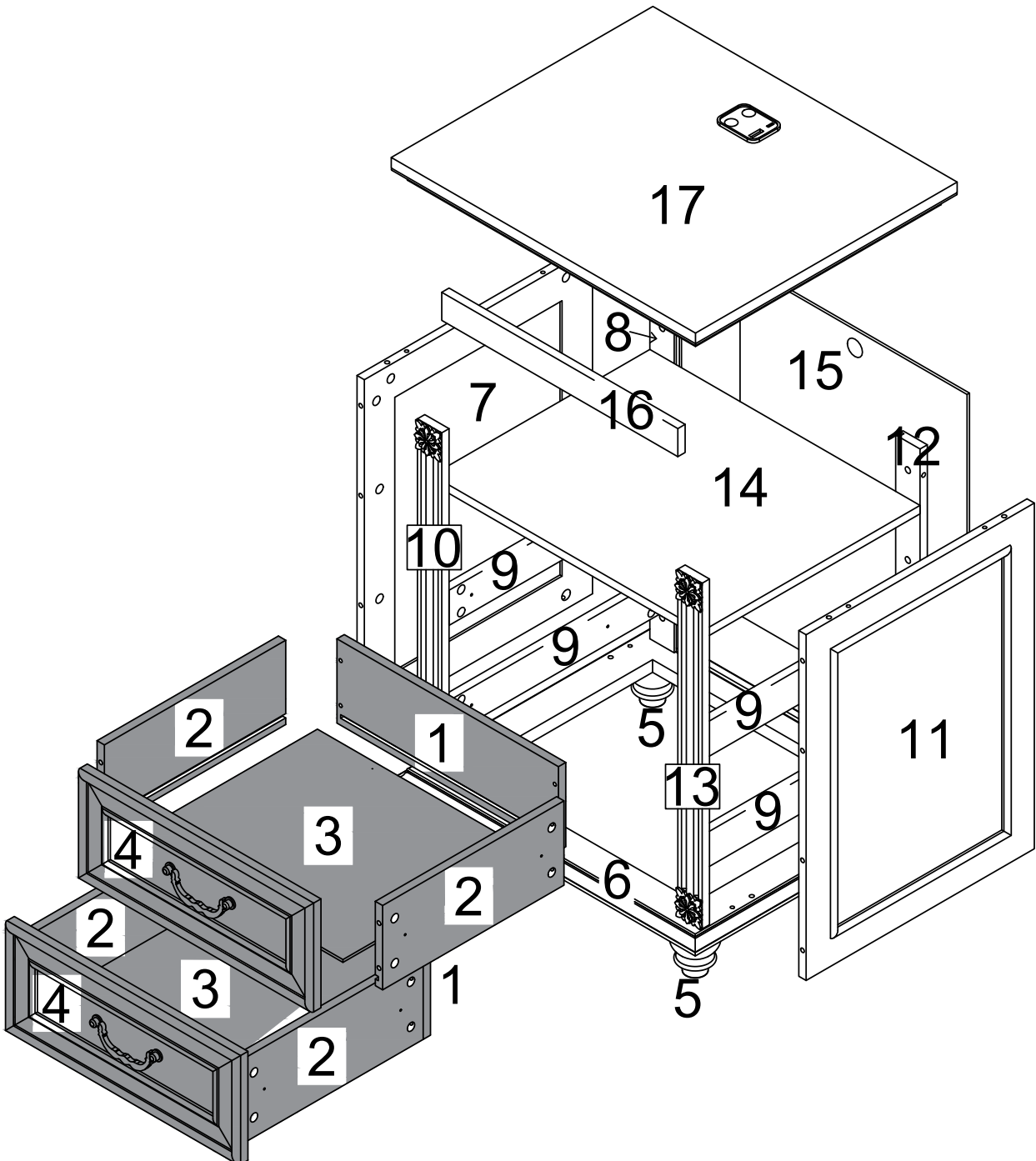


Double-head screwdriver, use as required

Product structure decomposition

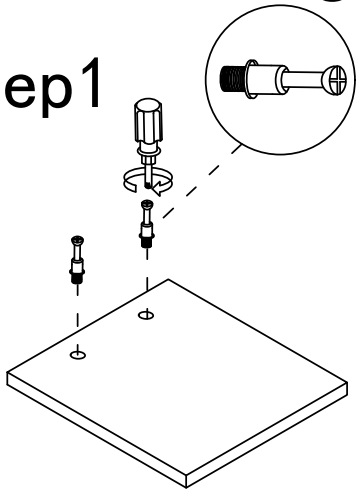


| | | | | | |
|---|---|--------------|---|---|--------------|
| A |  | 16pcs | B |  | 16pcs |
| D |  | 4pcs 2pcs | E |  | 4pcs 8pcs |

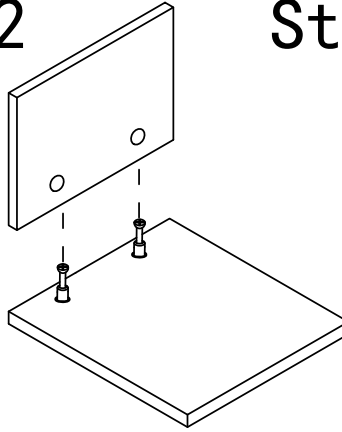


Use parts A and B

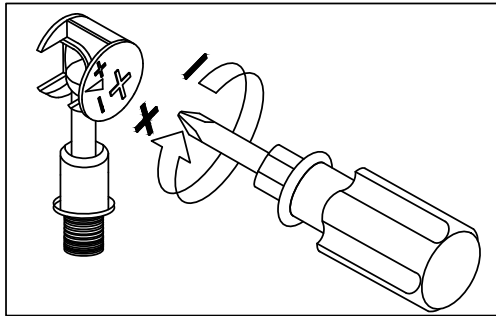
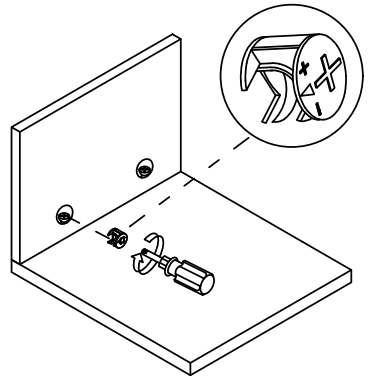
Step1



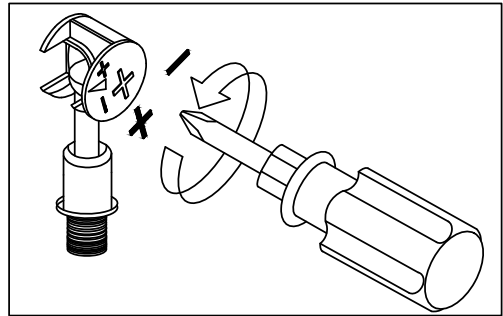
Step2



Step3

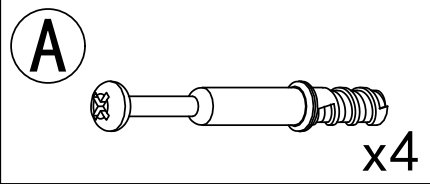
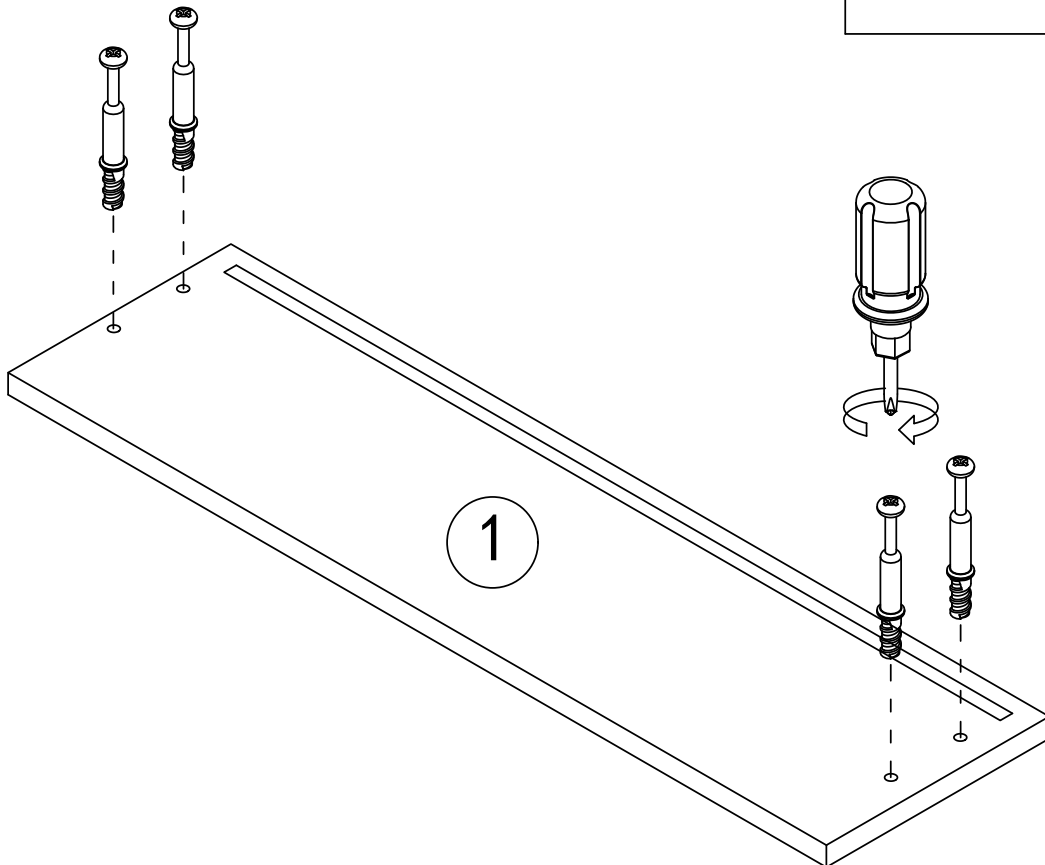


Use a screwdriver to lock in the direction of the "+" sign



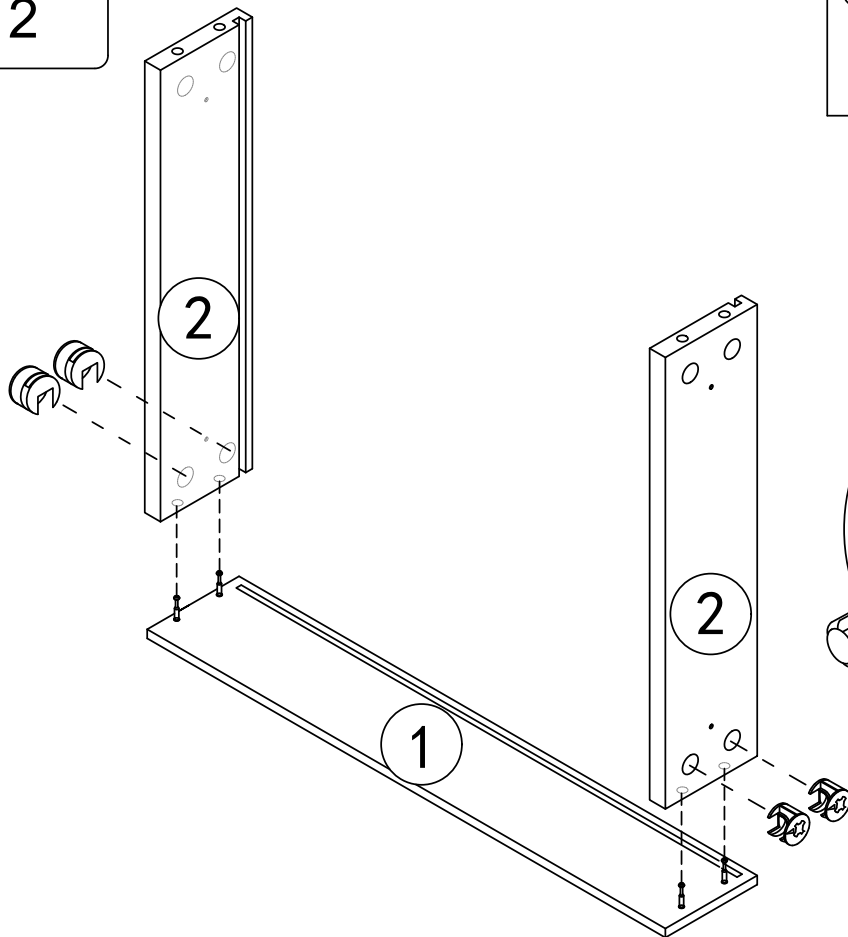
Disassemble along the direction of "-" sign

Step 1



6

Step 2

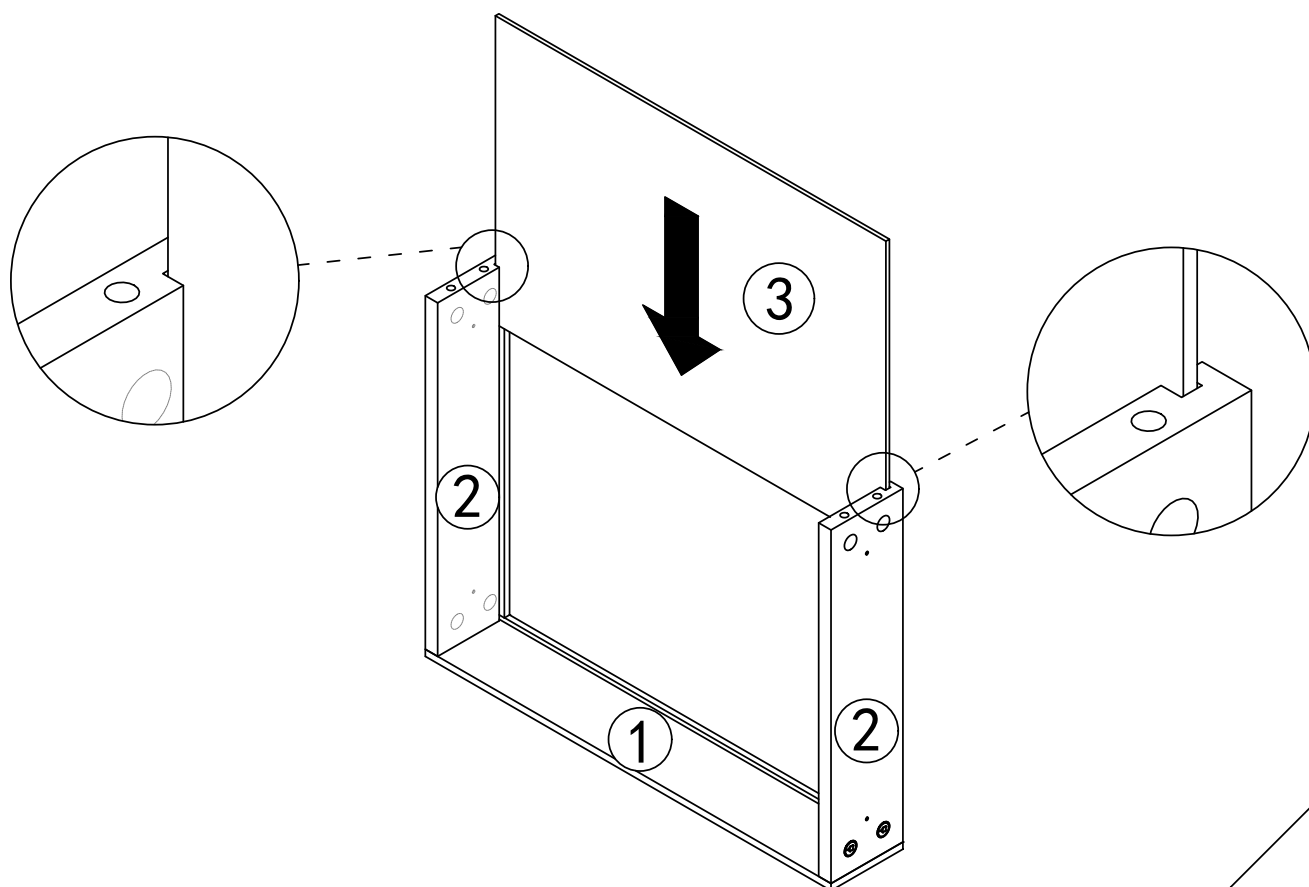


B



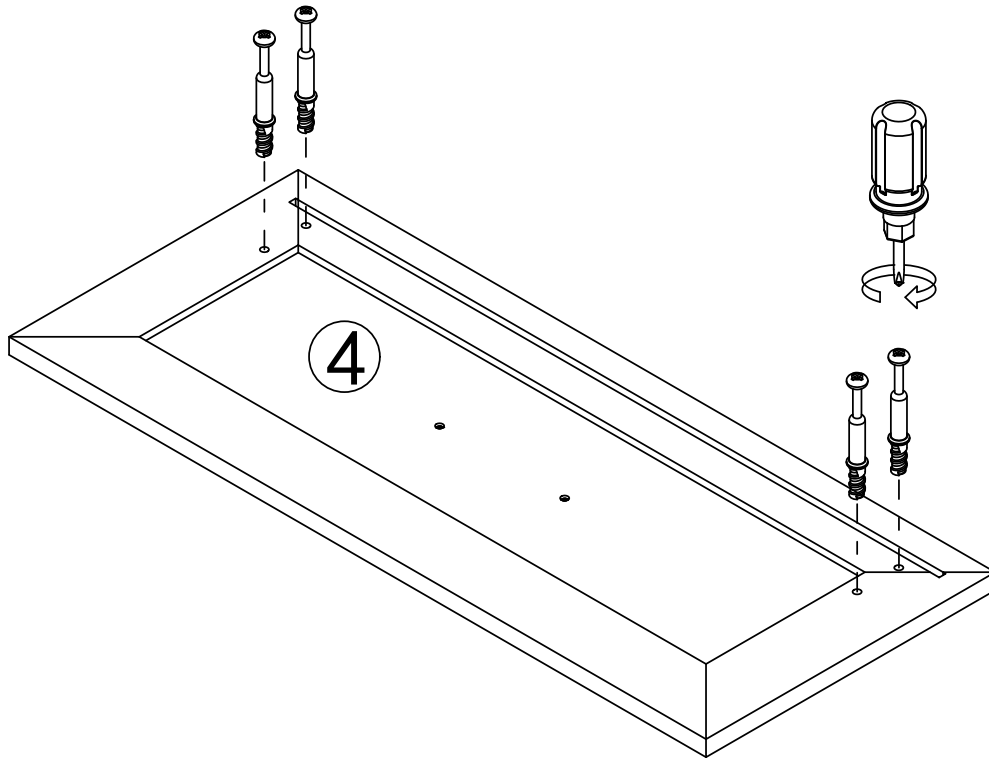
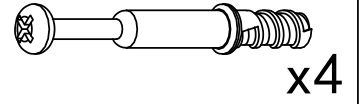
x4

Step 3



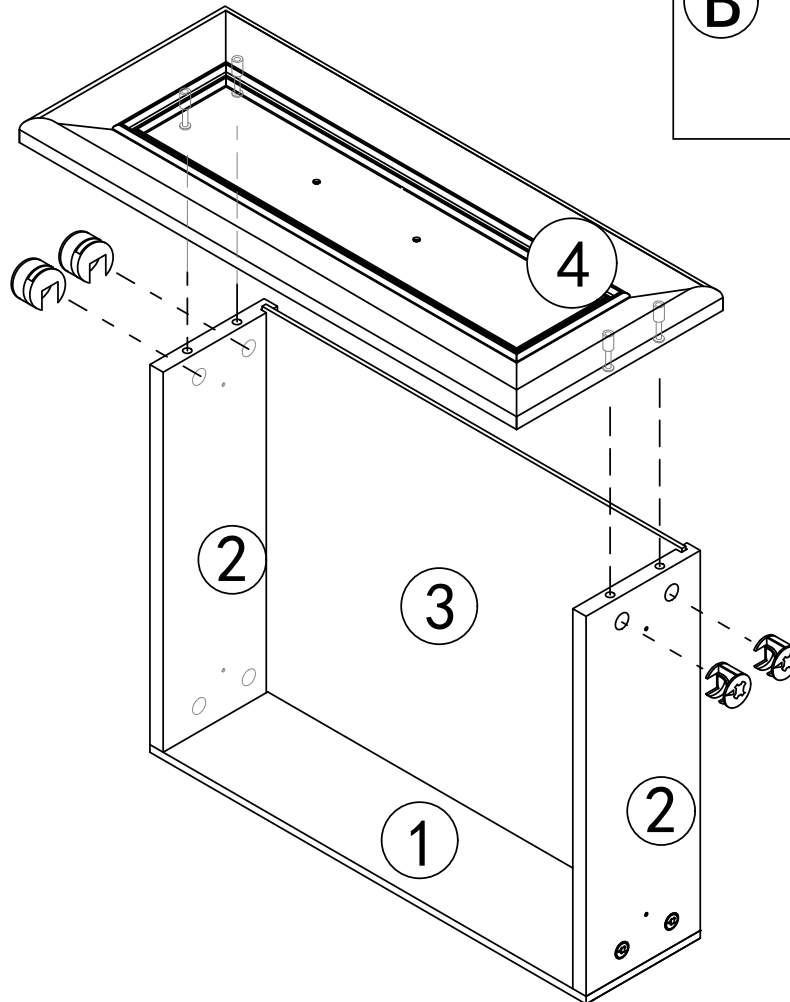
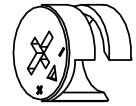
Step 4

A

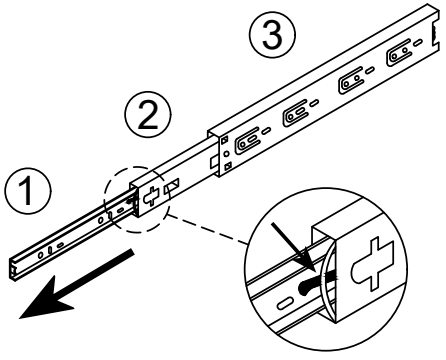


Step 5

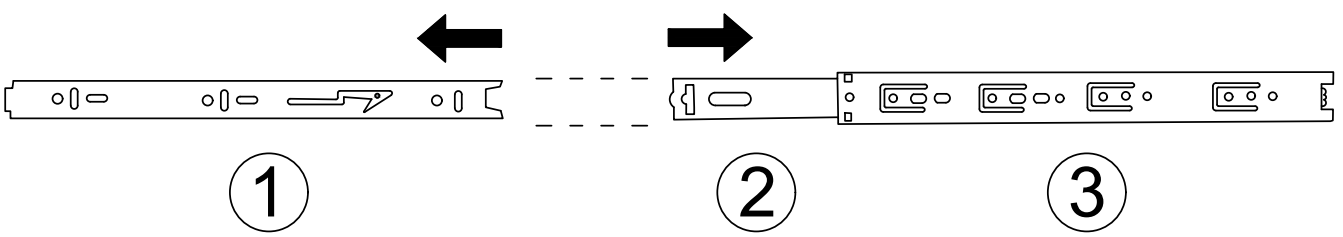
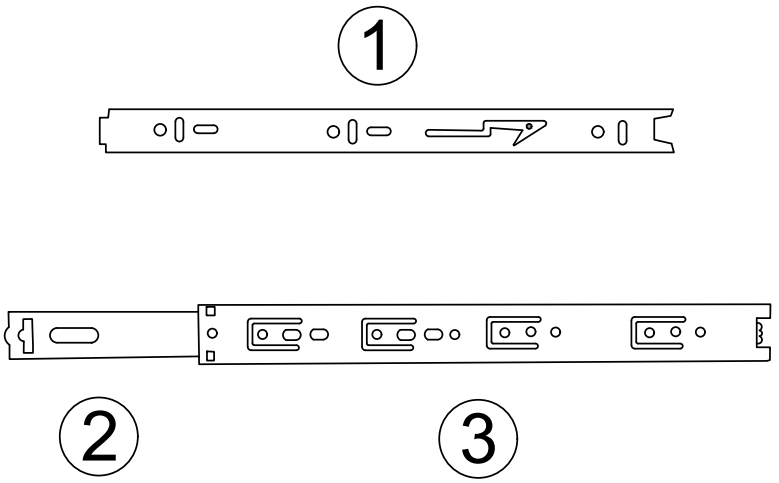
B



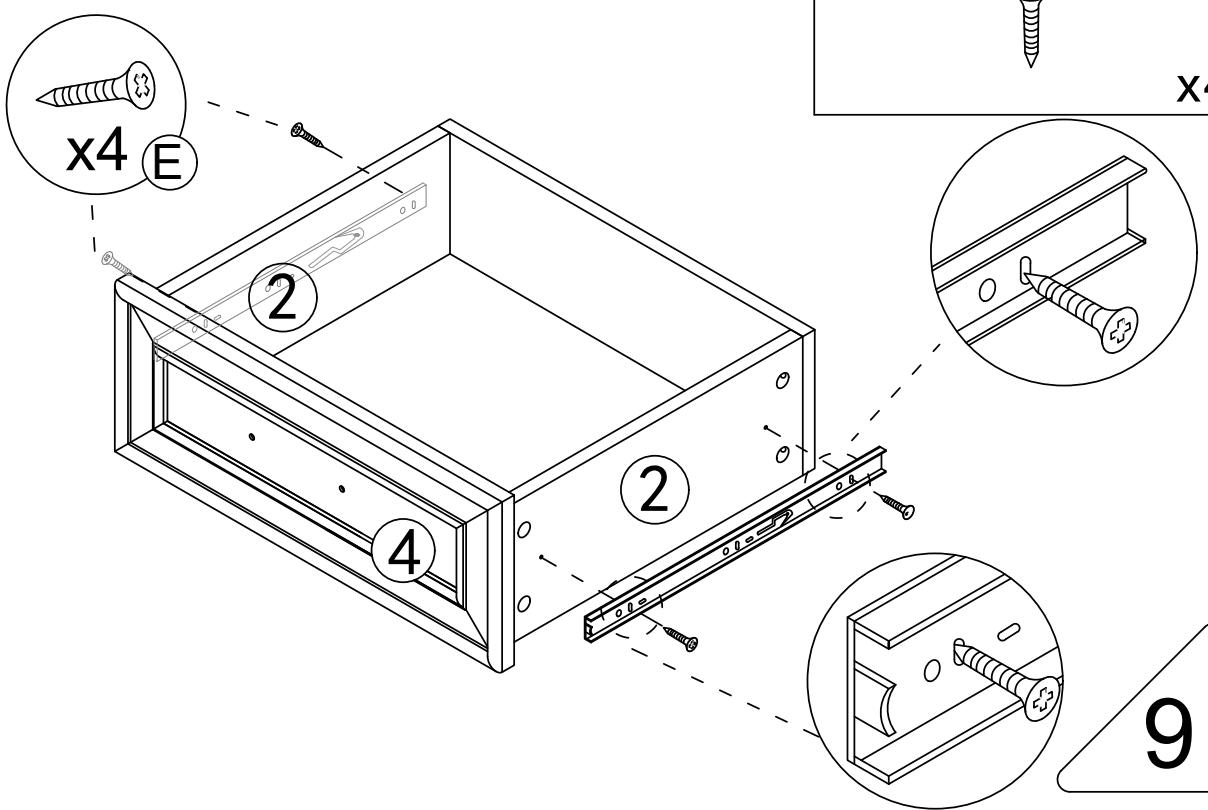
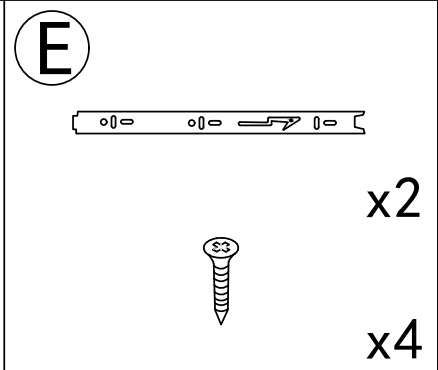
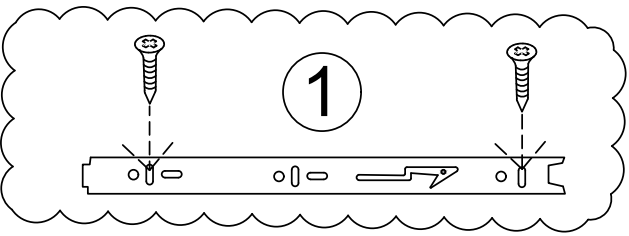
Drawer rail breakdown diagram



Step 1 : Pull the rails apart
 Step 2 : Push the nylon buckle outward ①



Step 6



Step 7

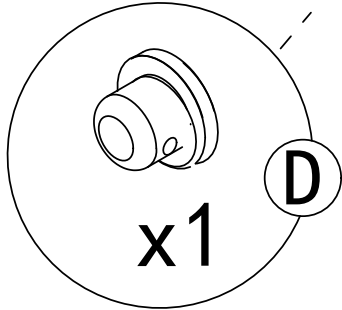
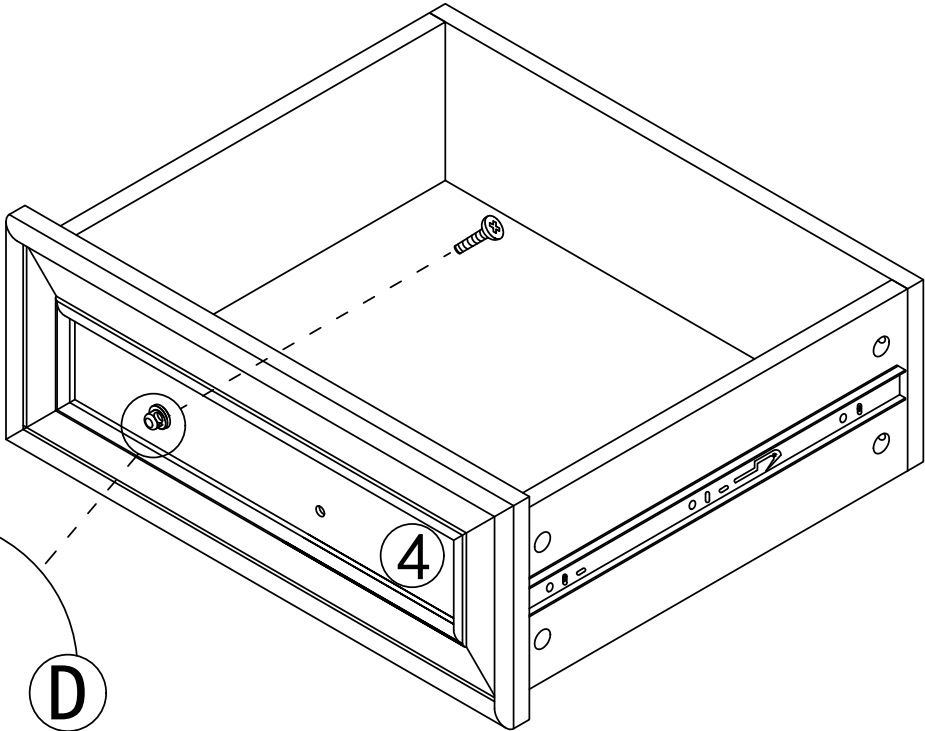
D



x1

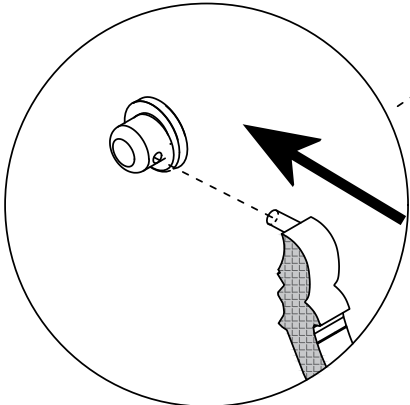
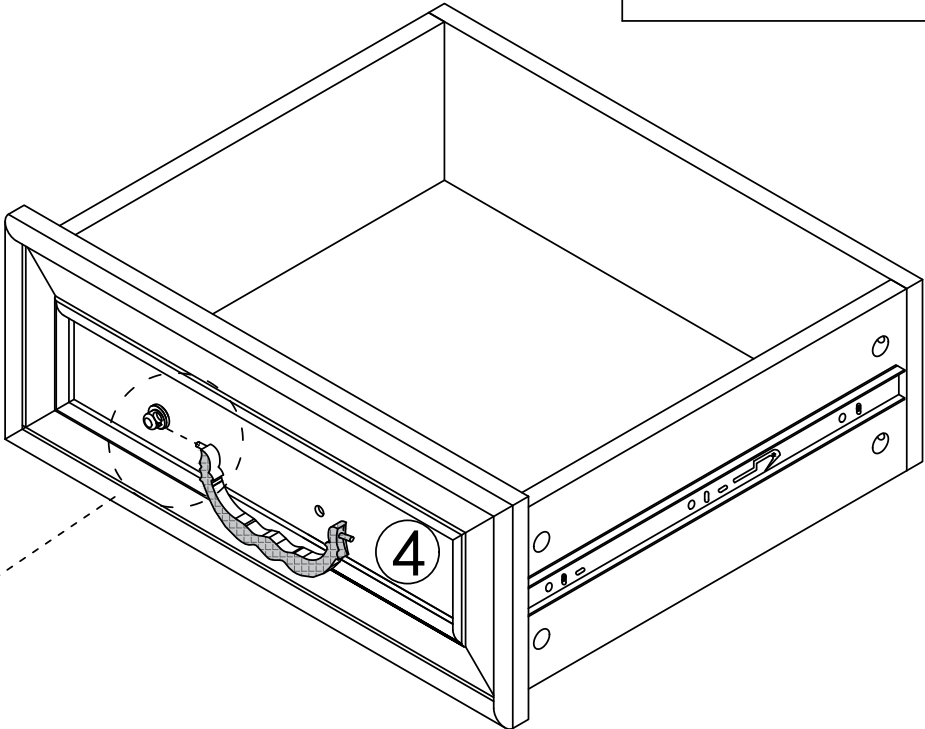
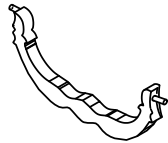


x1



Step 8

D

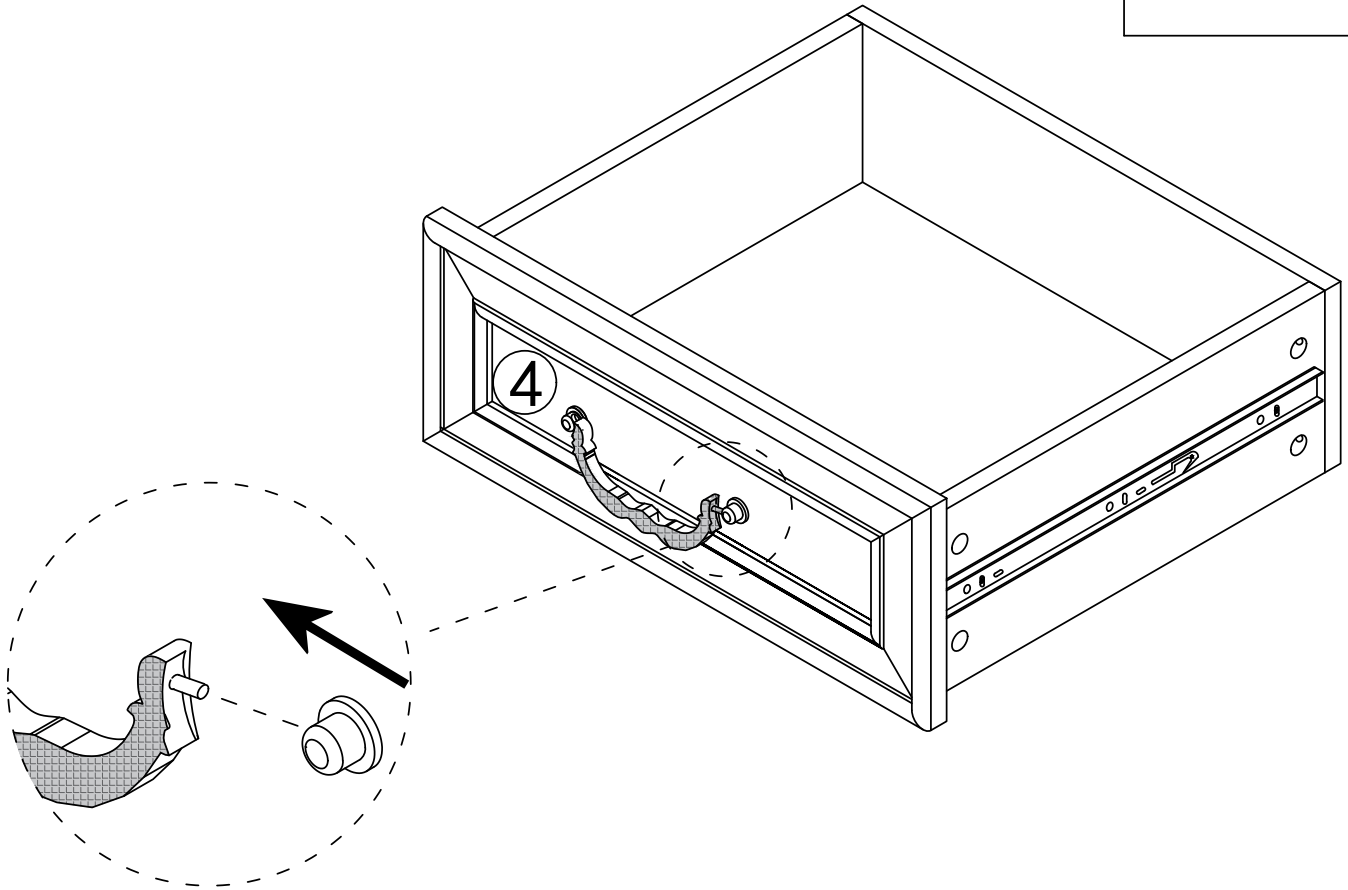


Step 9

D



x1

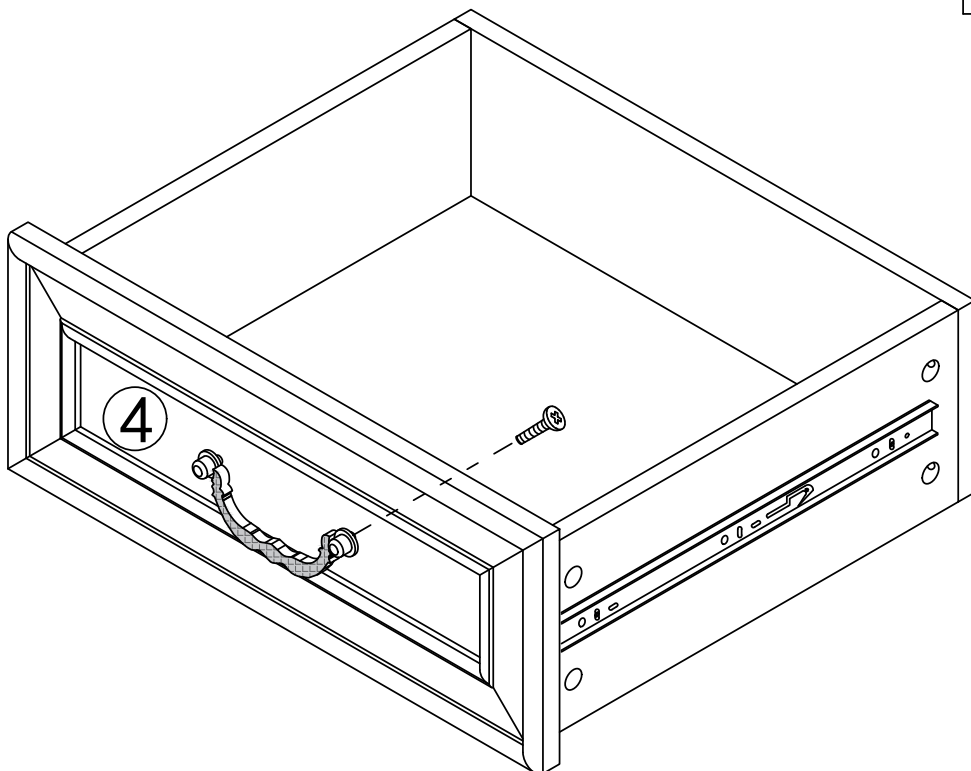


Step 10

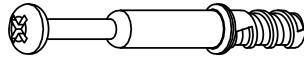





D

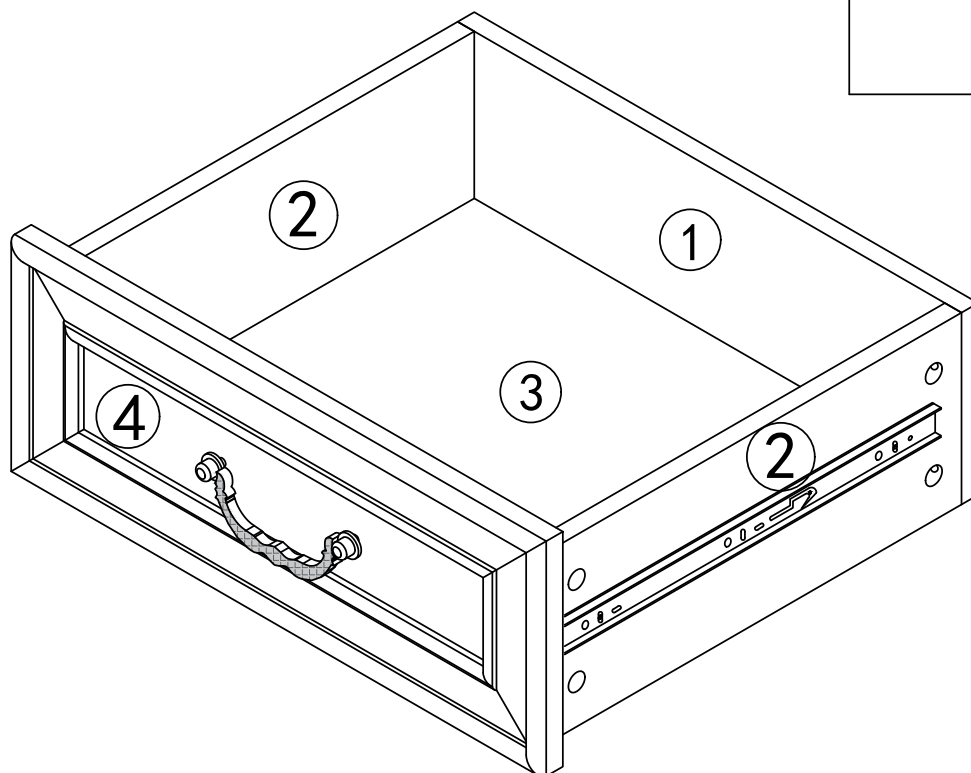


x1



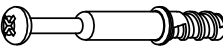


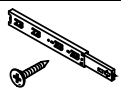

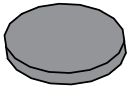

Step 11

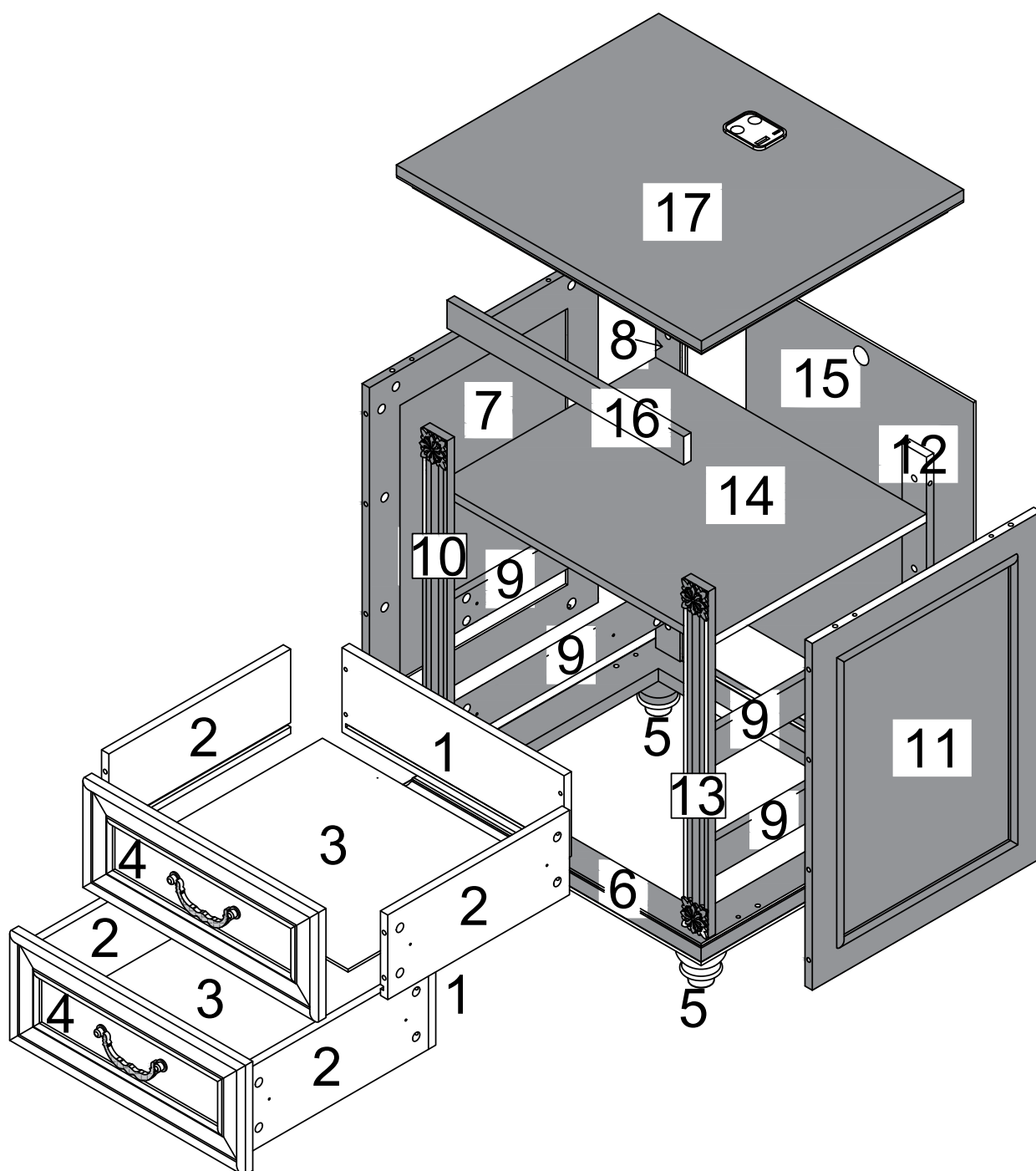
- A**  x8
- B**  x8
- D**  x1  x2
- E**  x2  x4



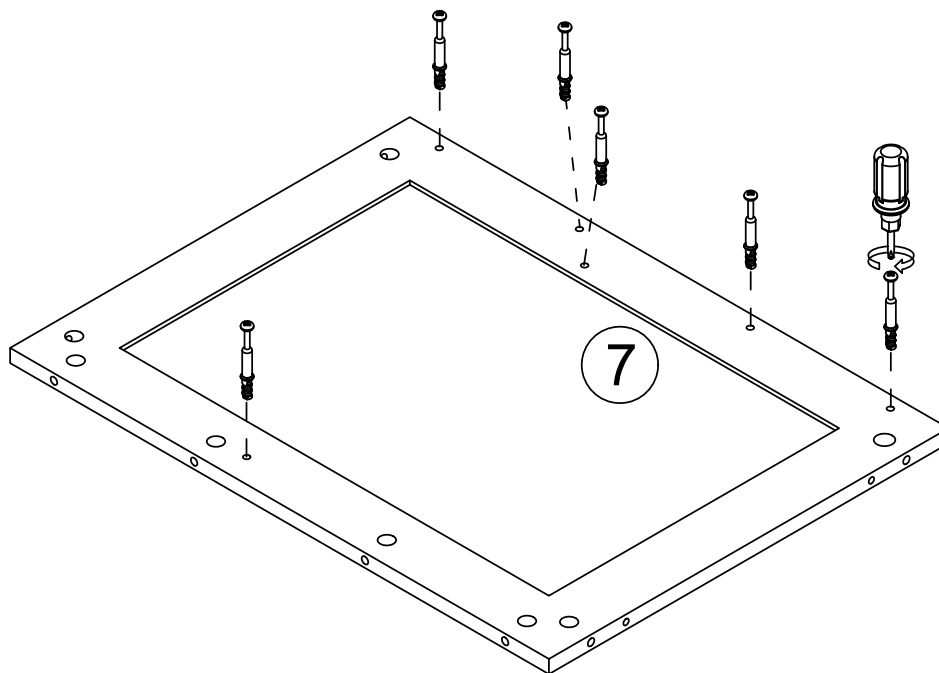
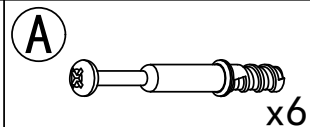
x2 pcs

The installation method for the other drawer is the same

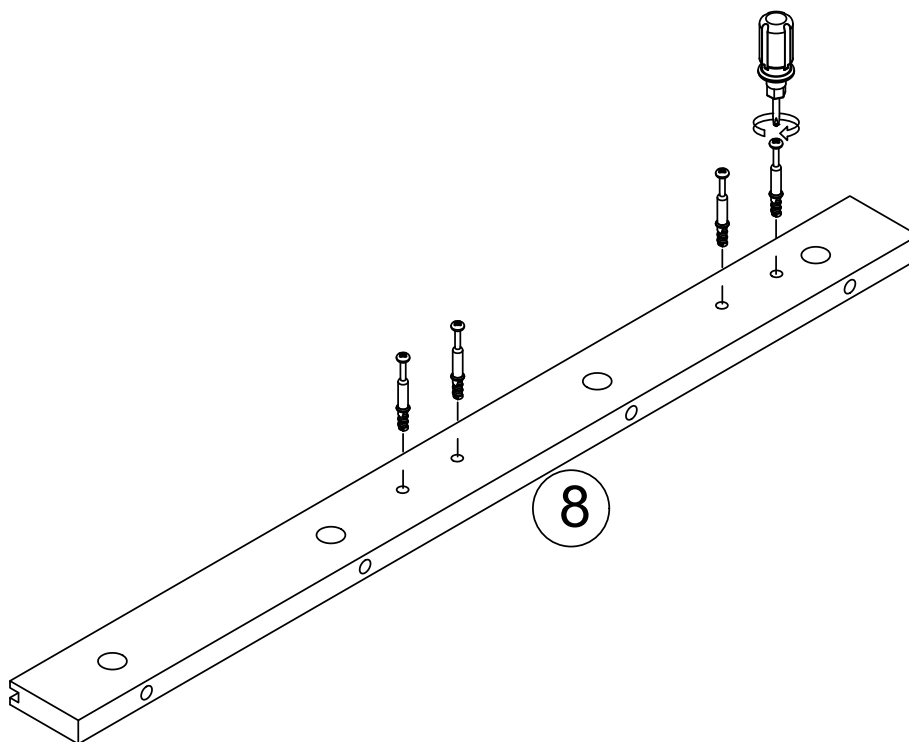
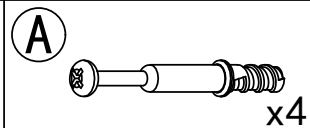
| | | | | | | | | |
|----------|---|---------------|----------|---|-------|----------|---|------|
| A |  | 46pcs | B |  | 46pcs | C |  | 8pcs |
| E |  | 4pcs 12pcs | F |  | 4pcs | G |  | 4pcs |
| I |  | 8pcs | | | | | | |



Step 12



Step 13

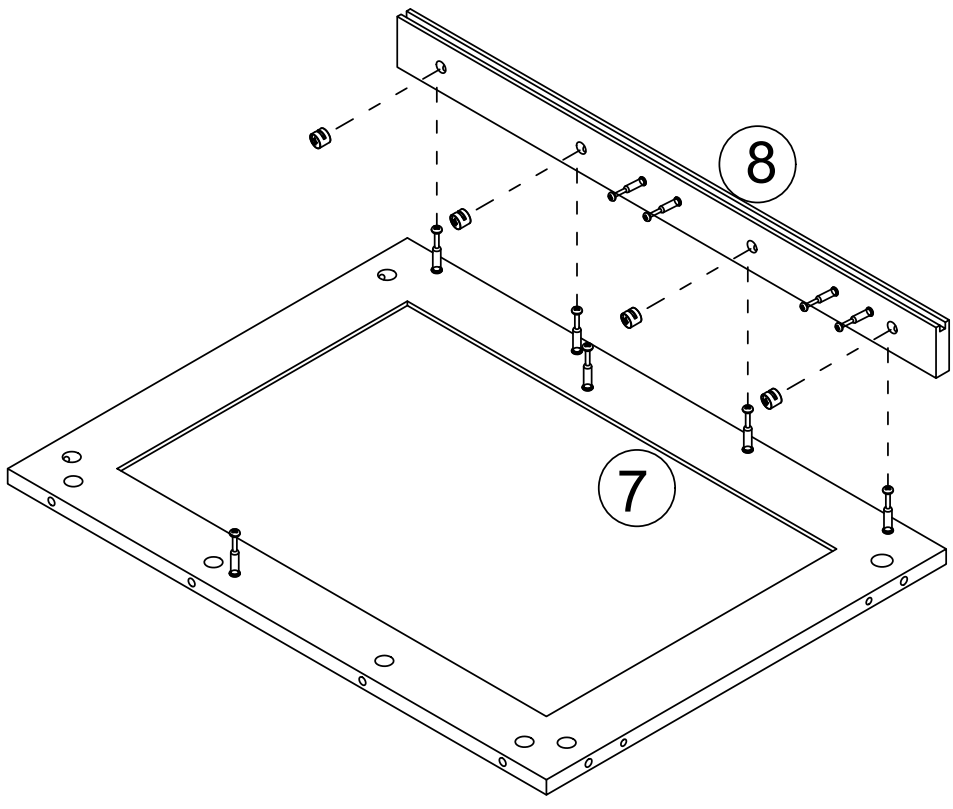


Step 14

B

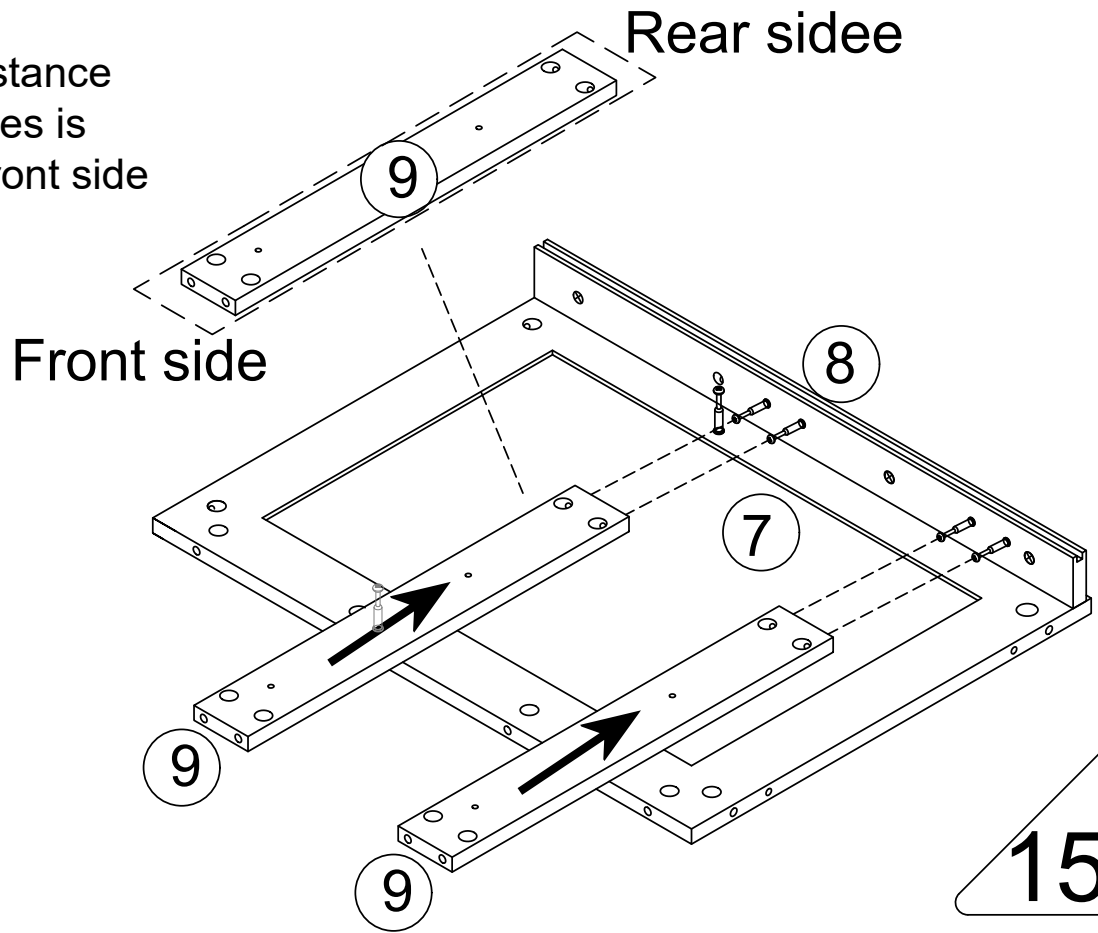


x4



Step 15

Note that the distance between the holes is shorter on the front side

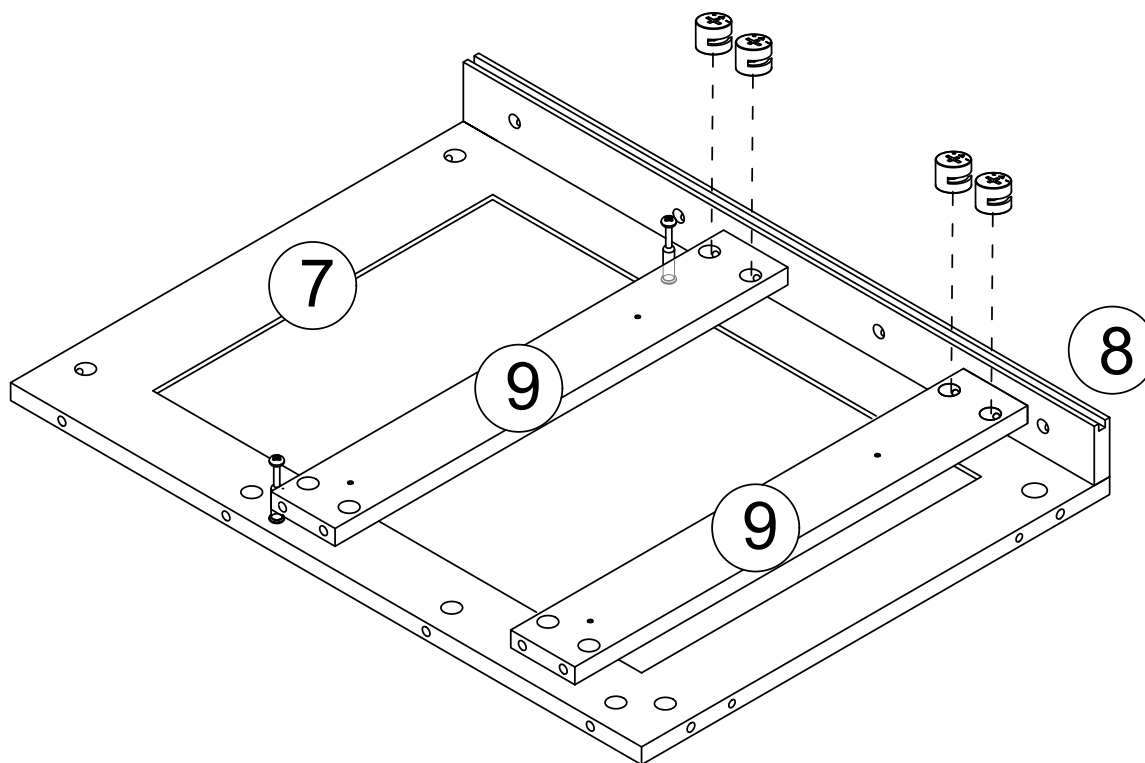


Step 16

B

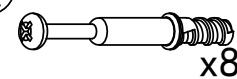


x4

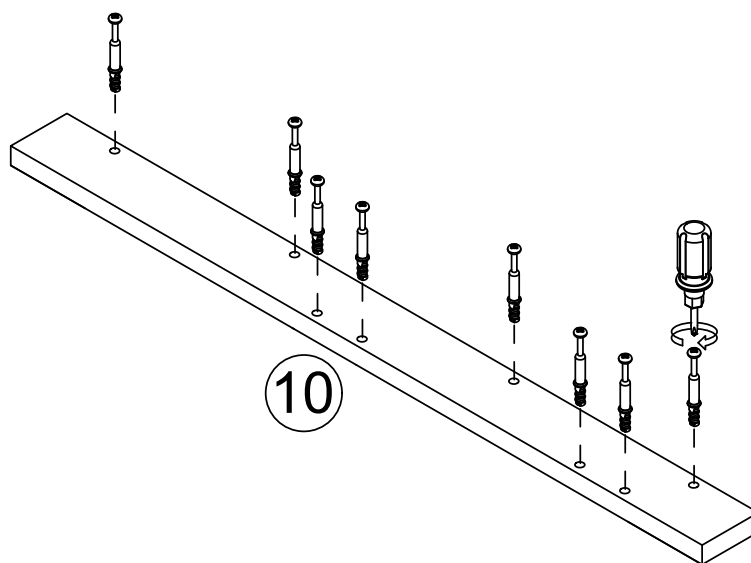


Step 17

A

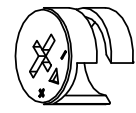


x8

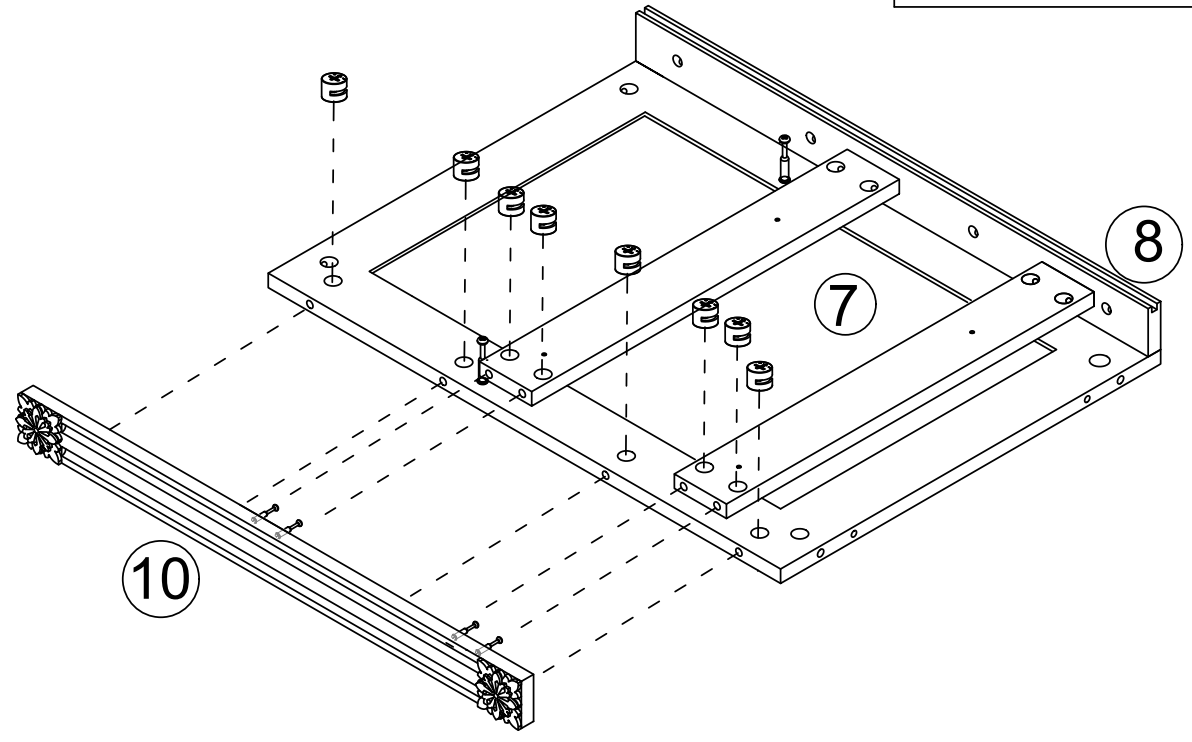


Step 18

B

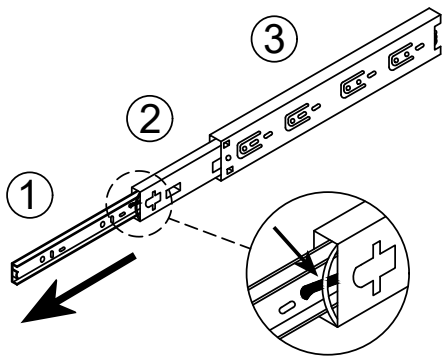


x8

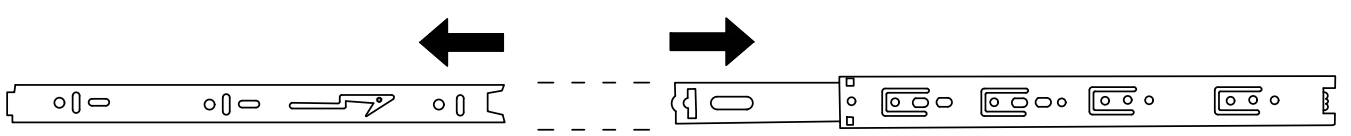
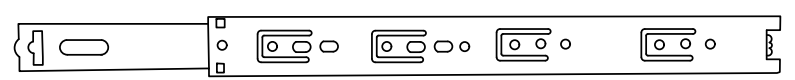
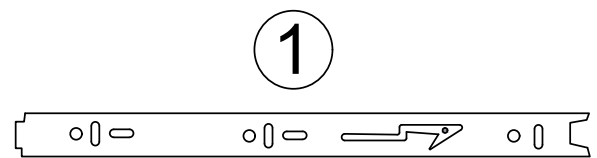


Step 19

Drawer rail breakdown diagram



Step 1 : Pull the rails apart
Step 2 : Push the nylon buckle outward ①

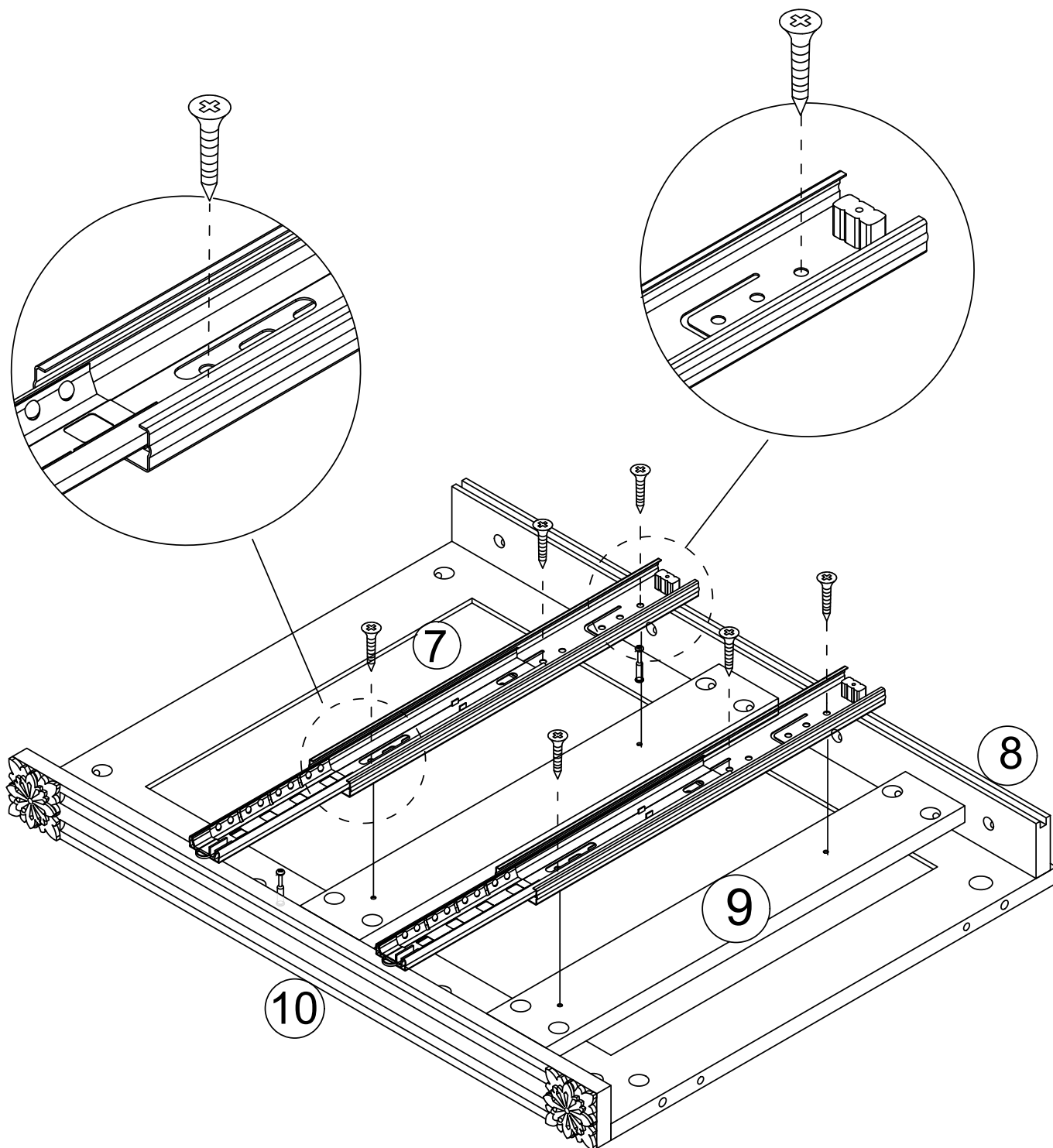
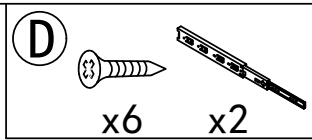
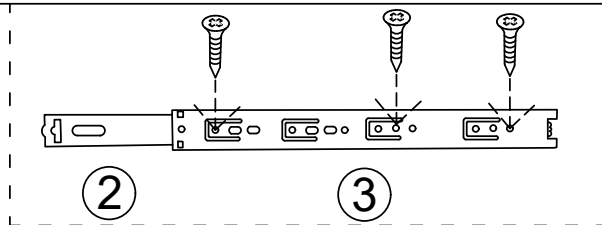


①

②

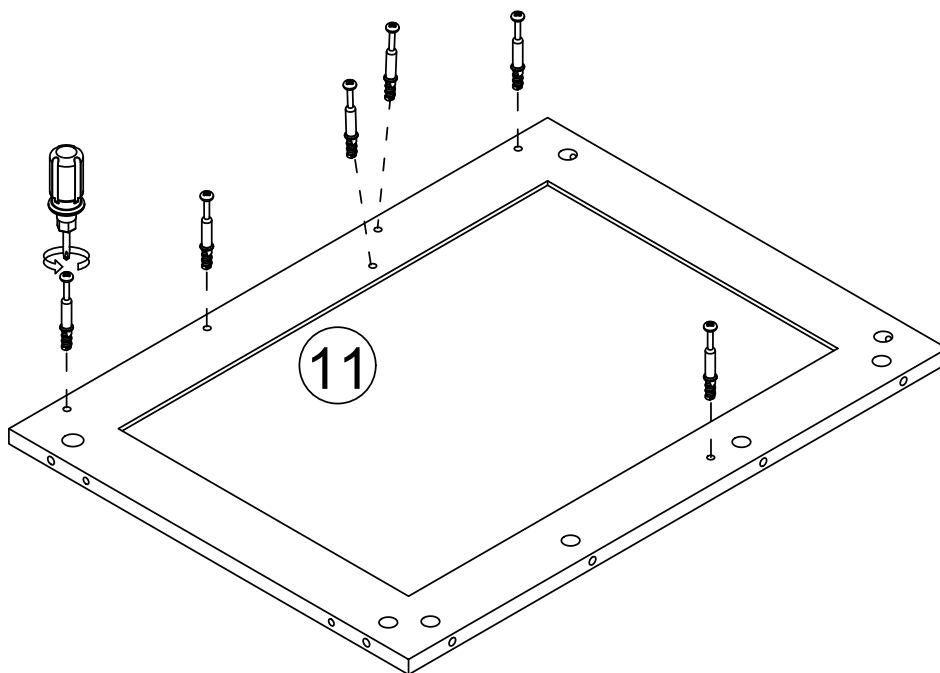
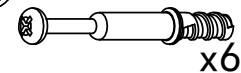
③

Step 20



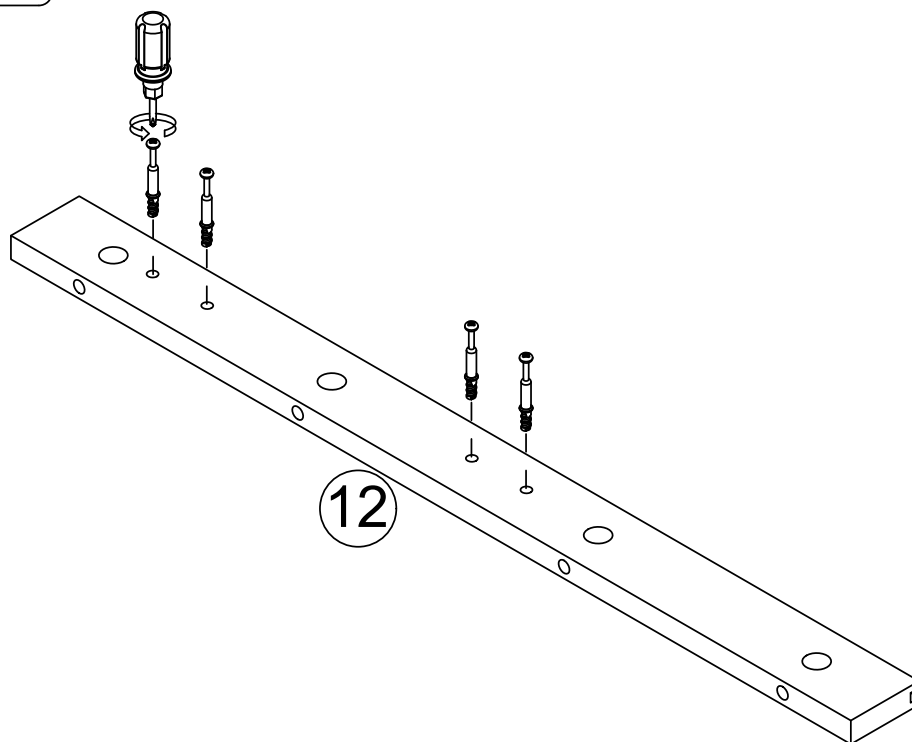
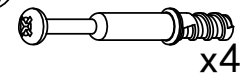
Step 21

A

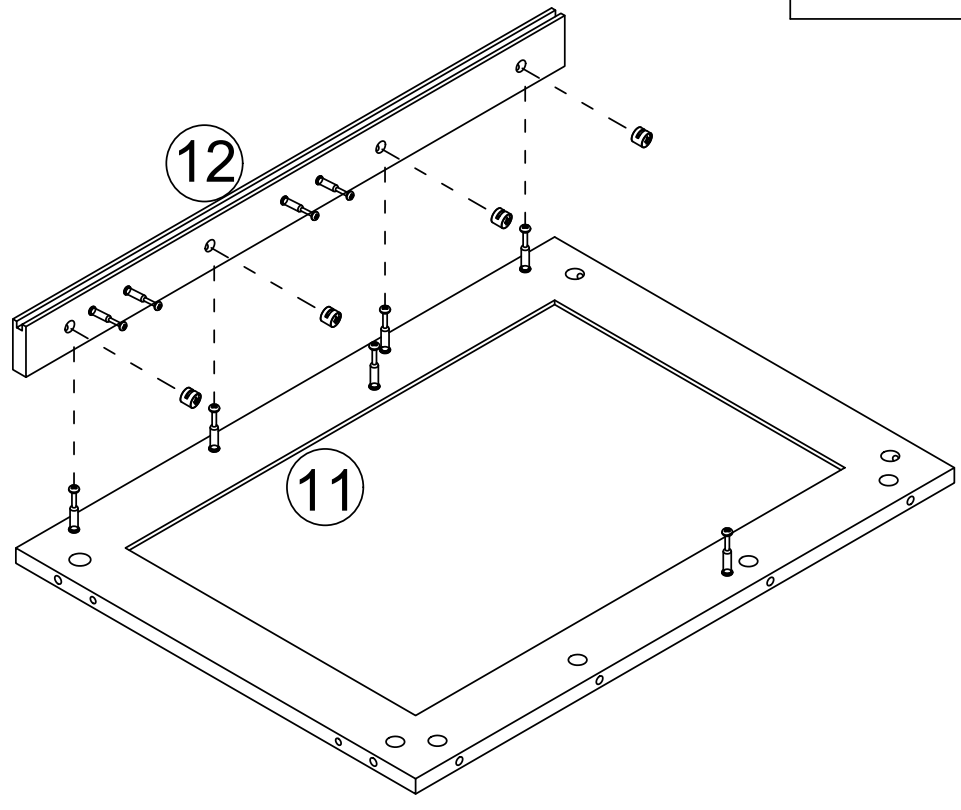
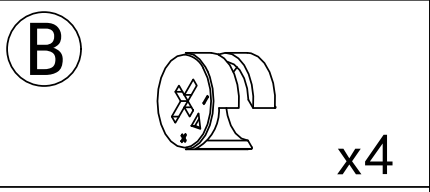


Step 22

A

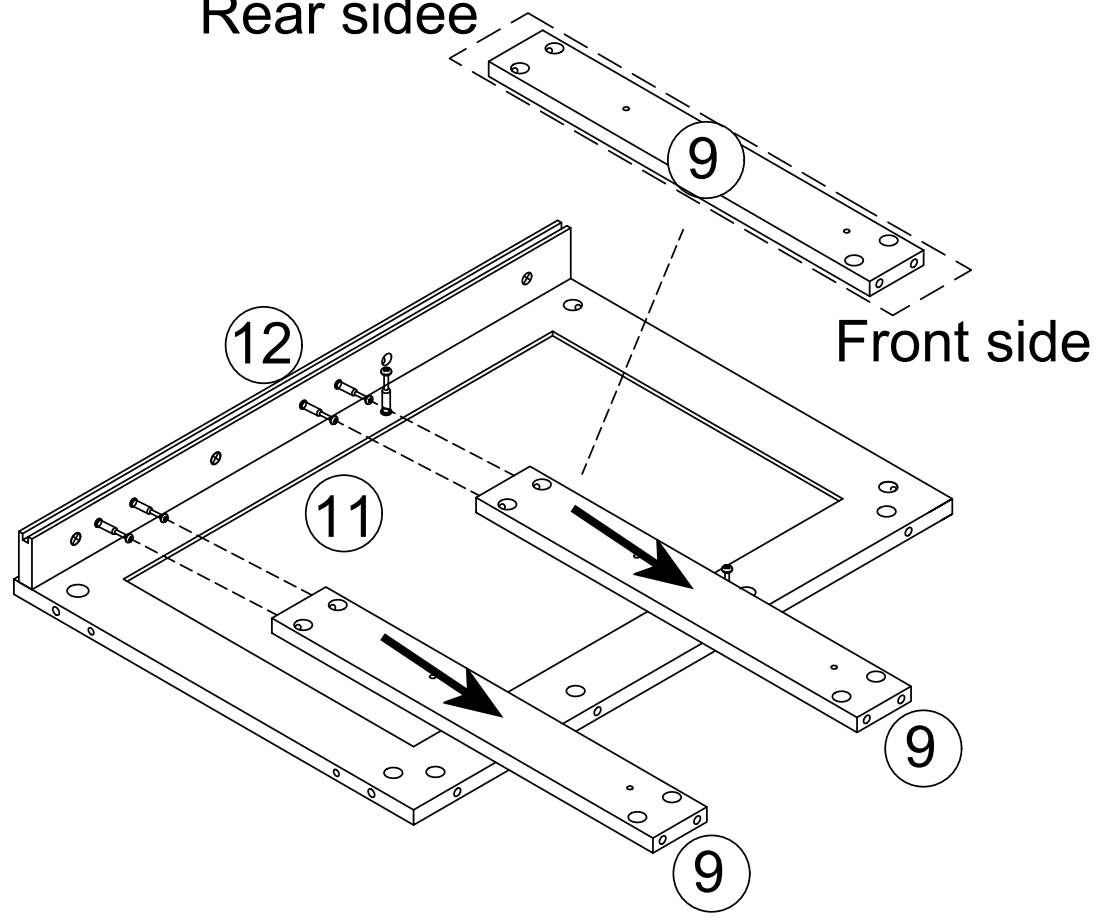


Step 23



Step 24

Rear side



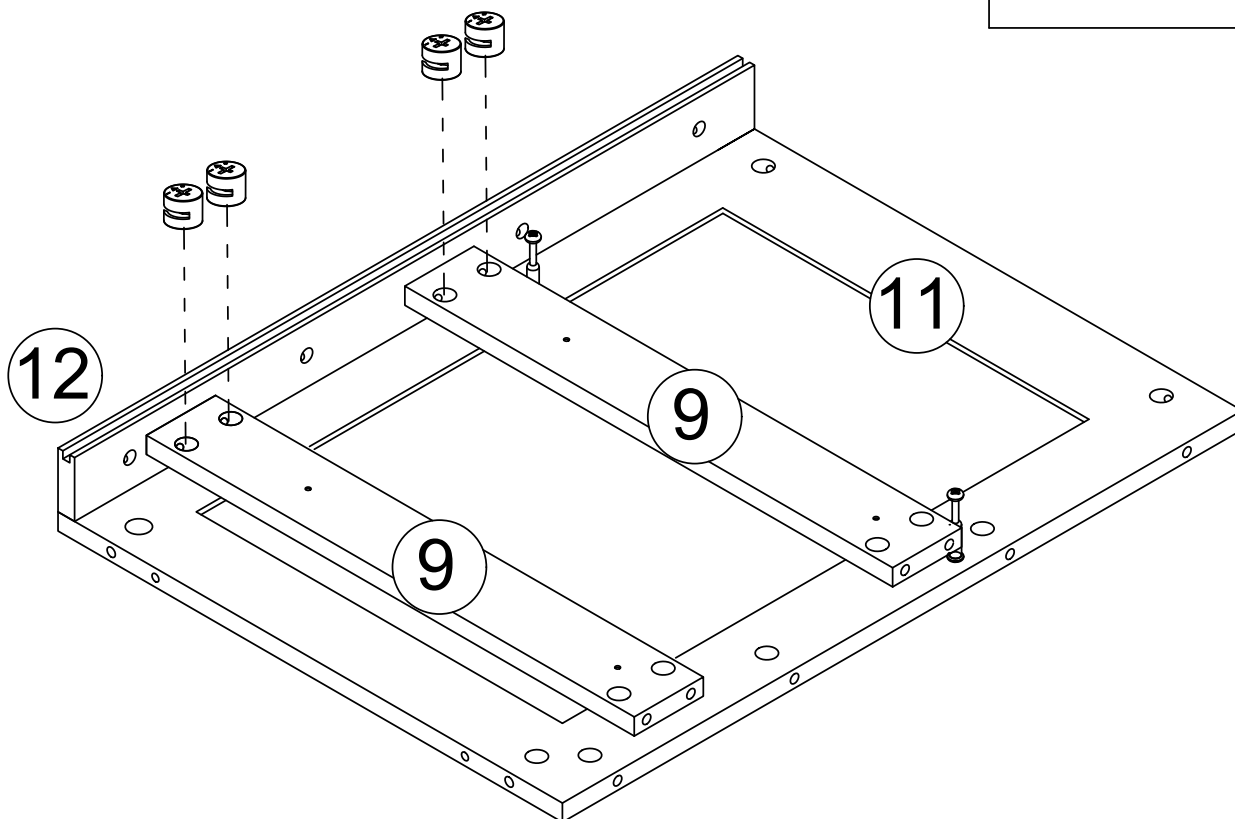
Front side

Step 25

B

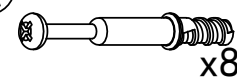


x4

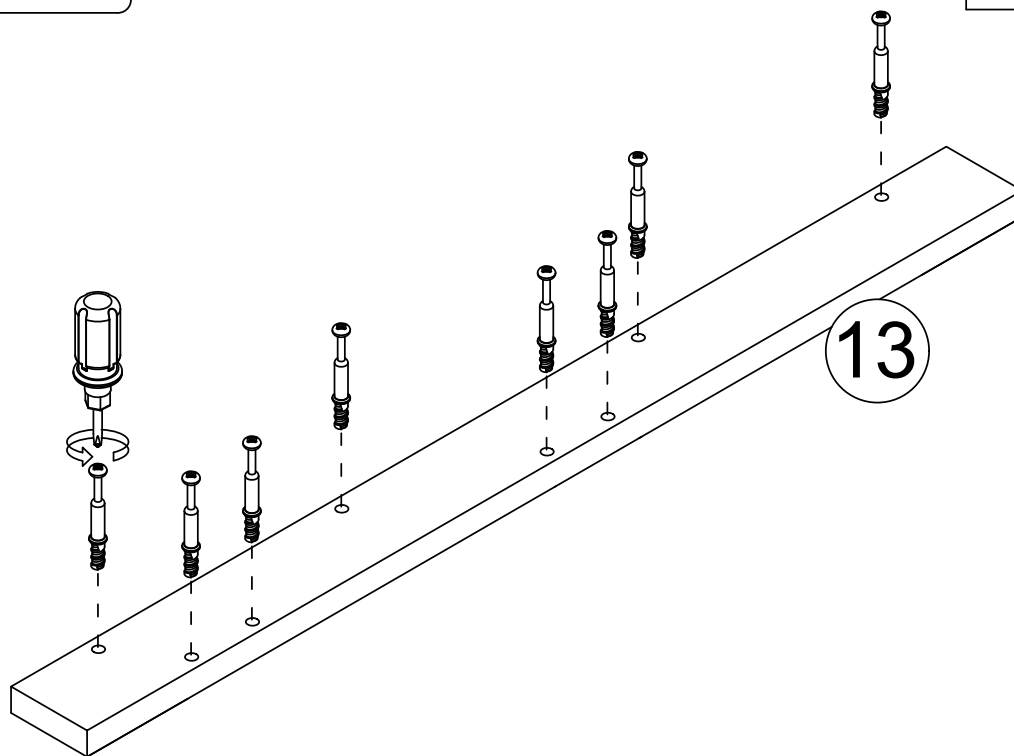


Step 26

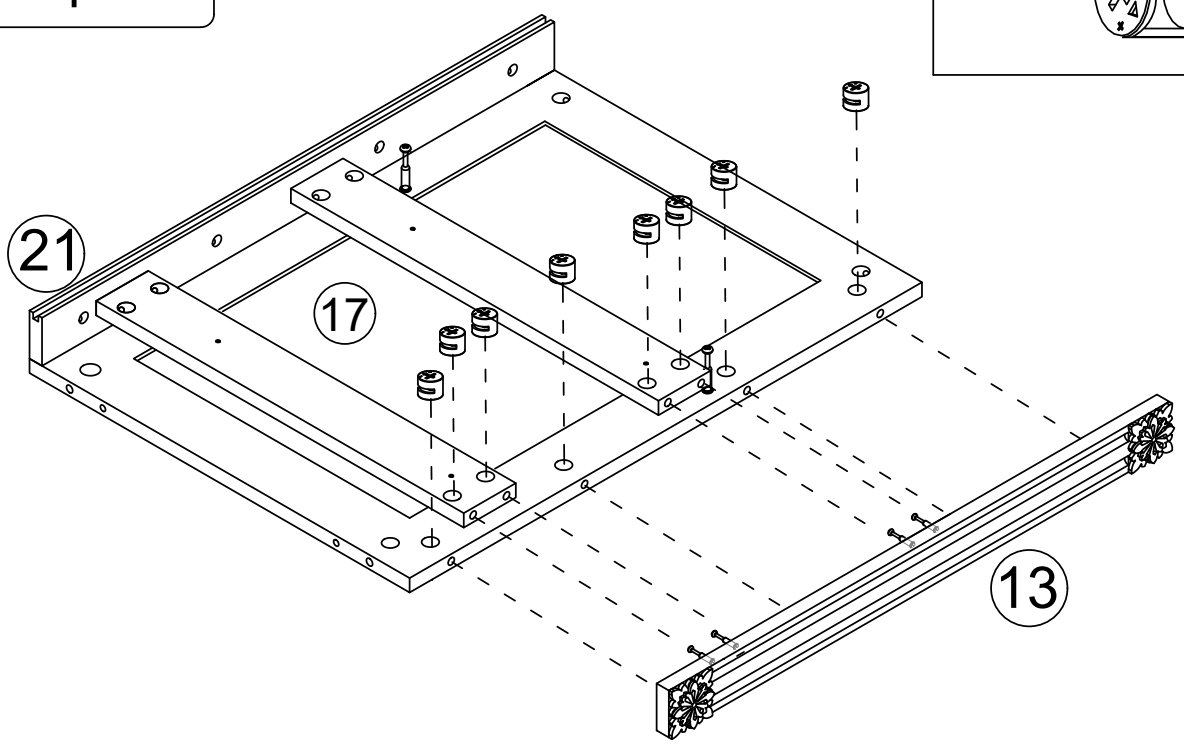
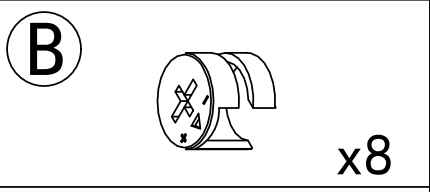
A



x8

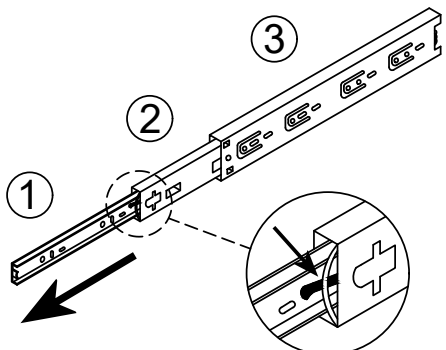


Step 27

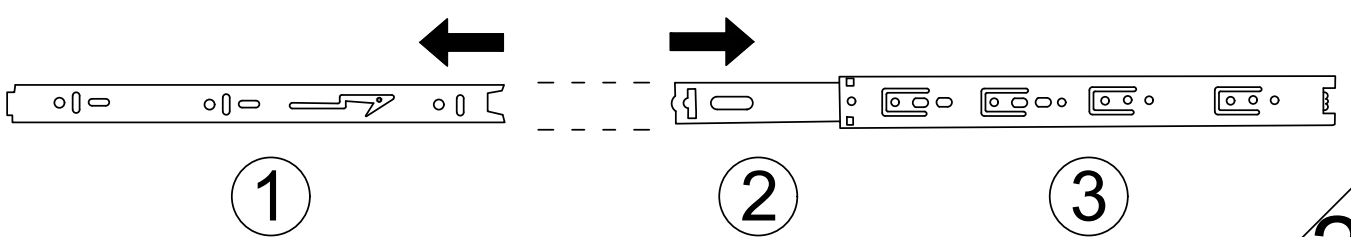
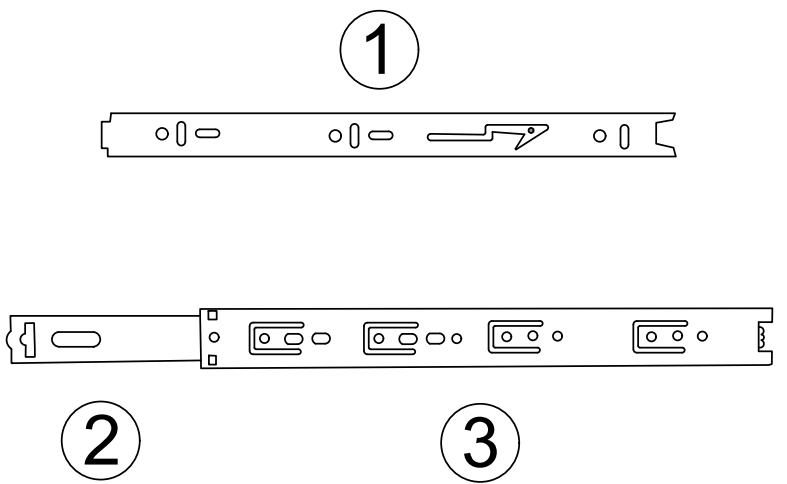


Step 28

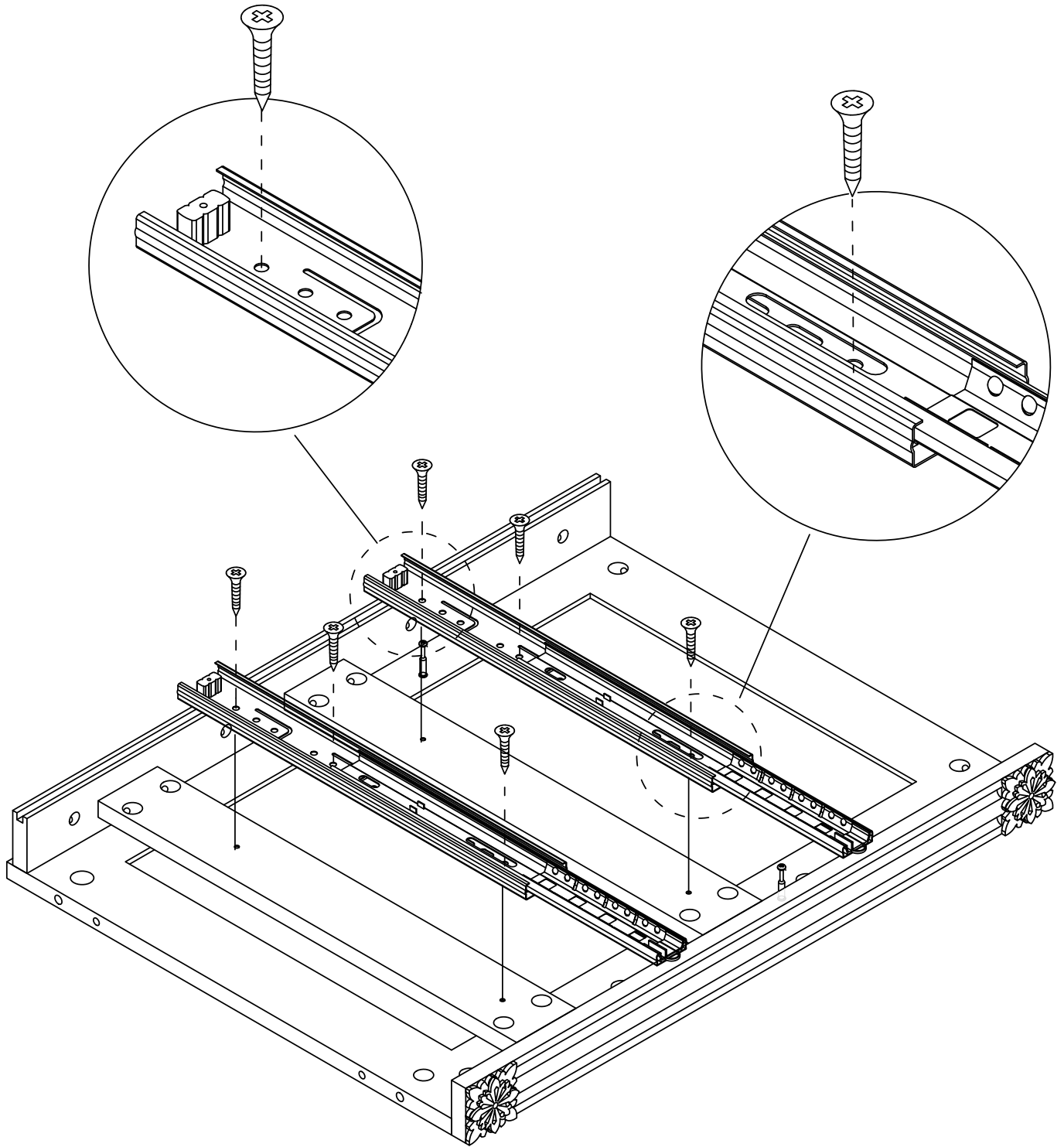
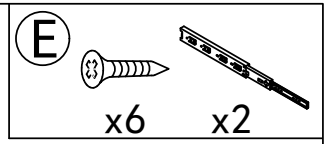
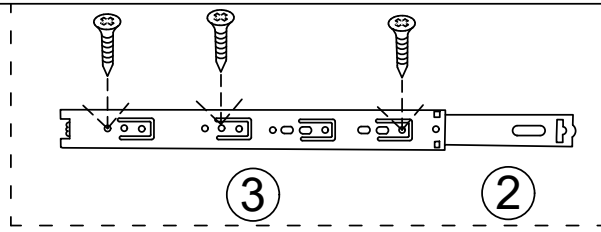
Drawer rail breakdown diagram



Step 1 : Pull the rails apart
 Step 2 : Push the nylon buckle outward ①



Step 29

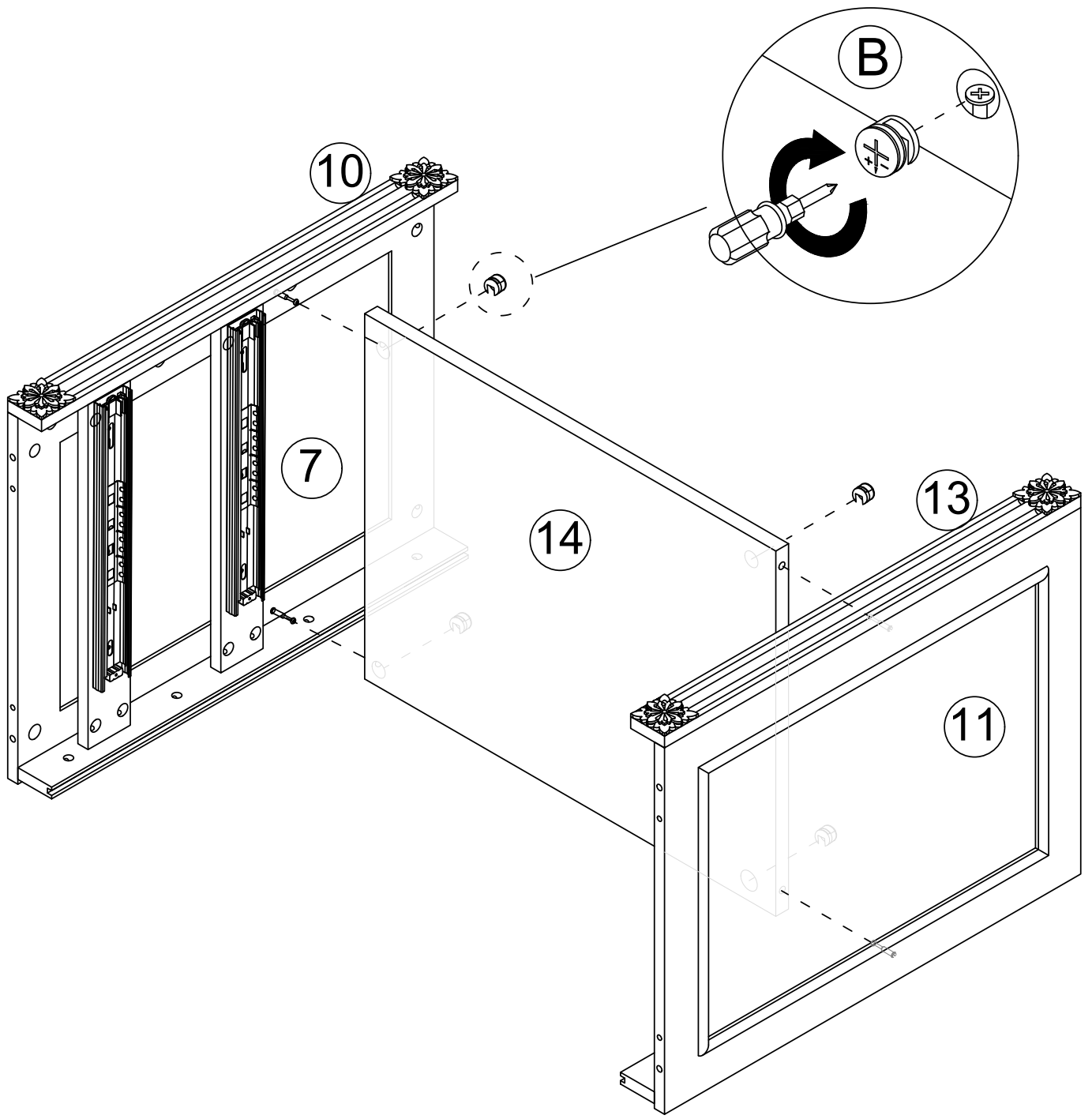


Step 30

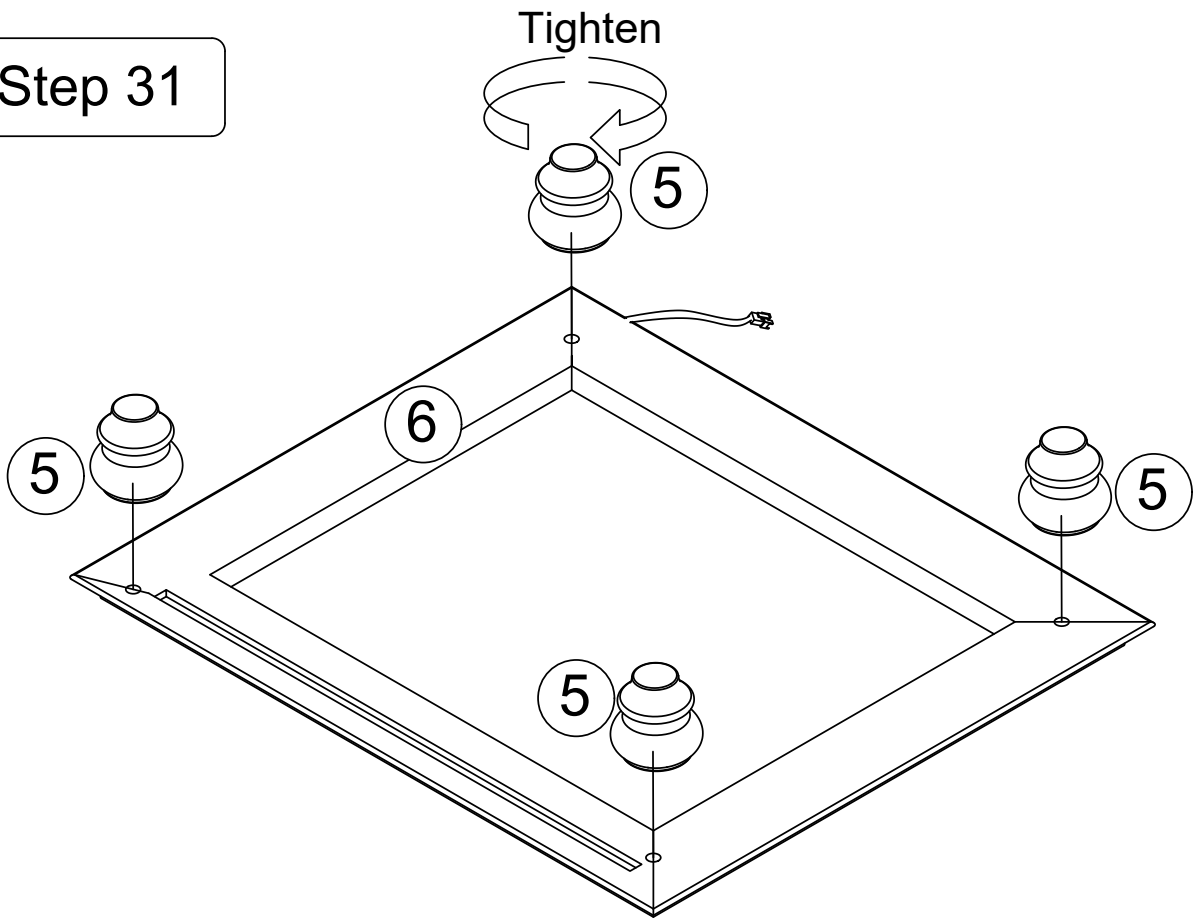
B



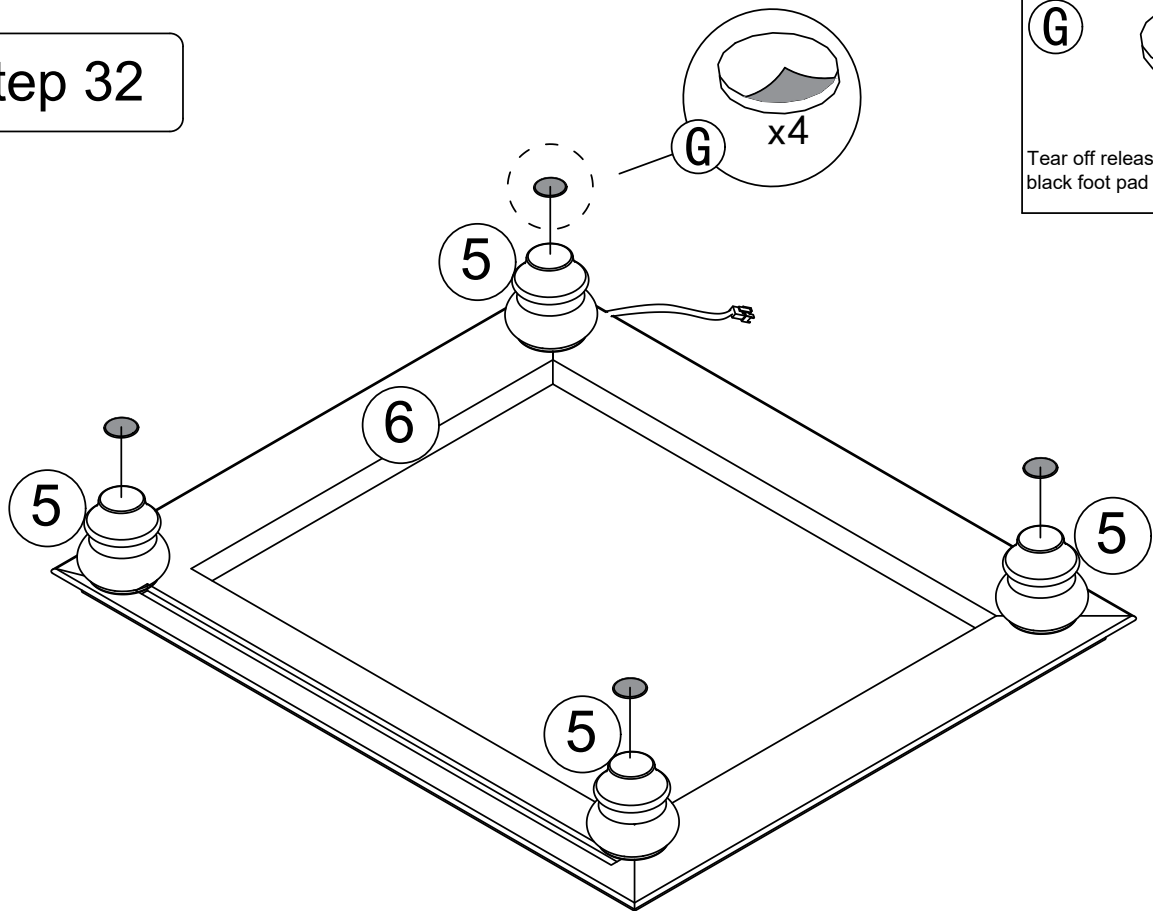
x4



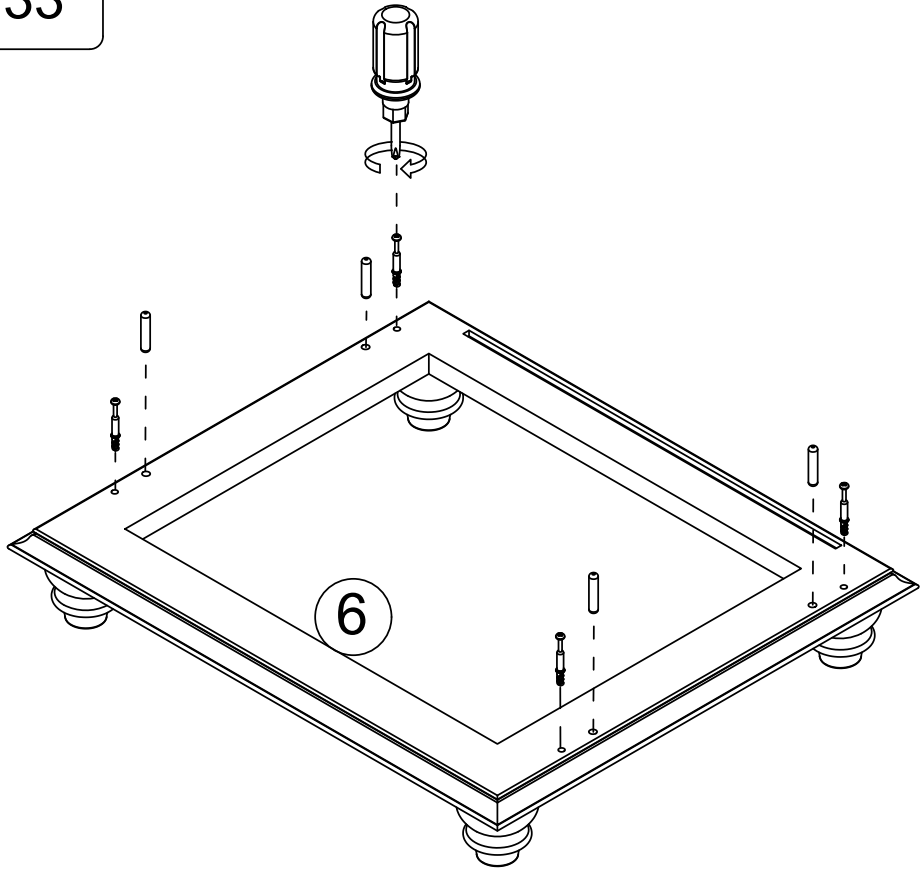
Step 31

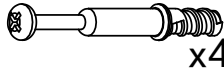



Step 32

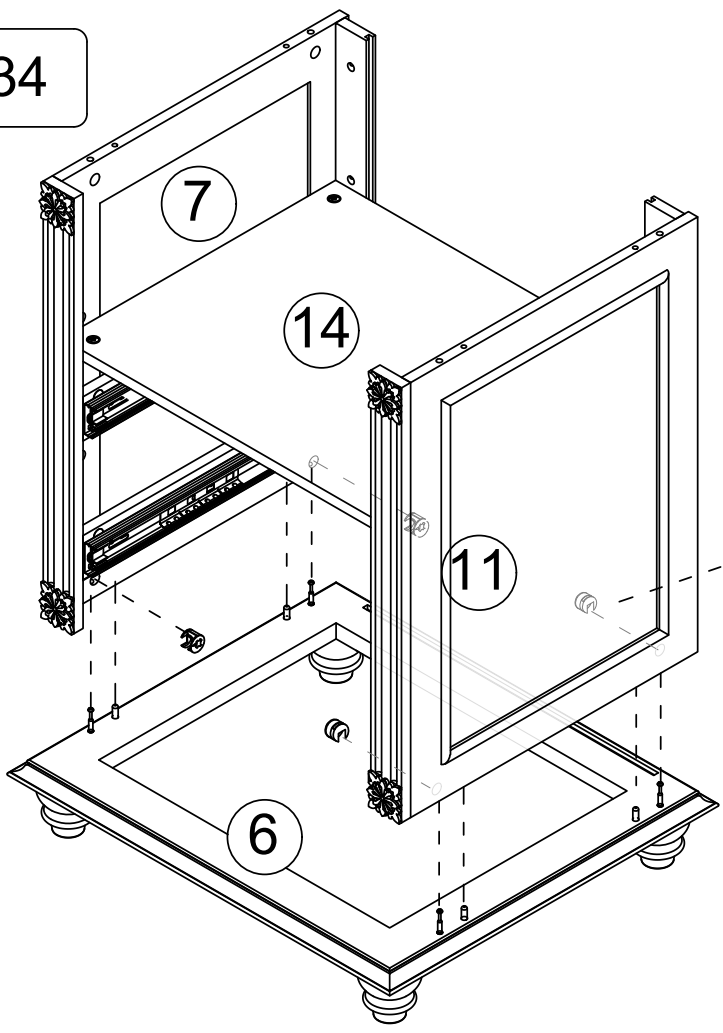


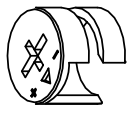
Step 33

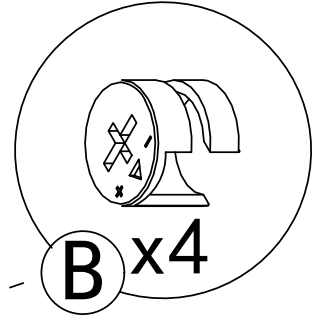


- A**  x4
- C**  x4

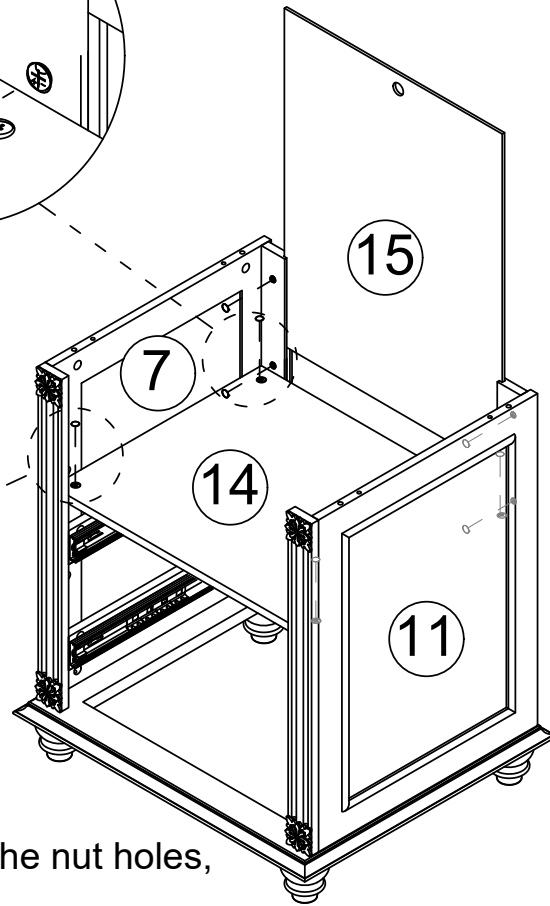
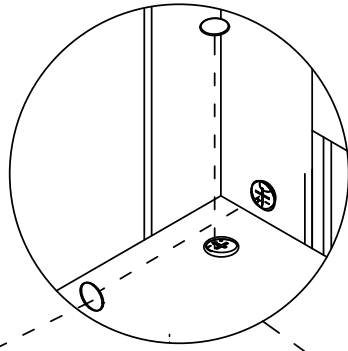
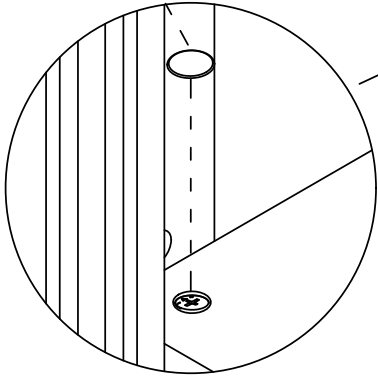
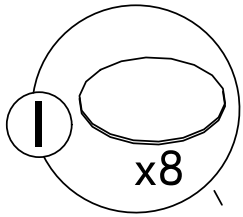
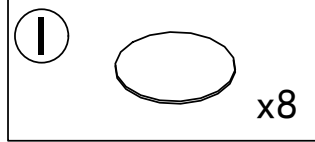
Step 34



- B**  x4

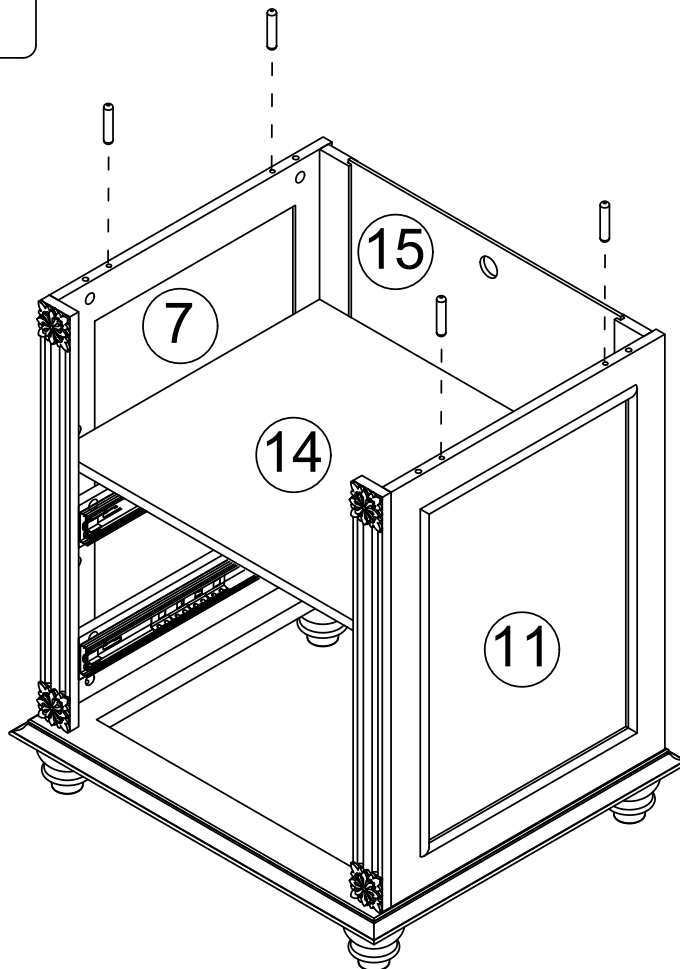
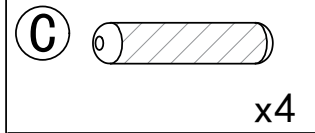


Step 35

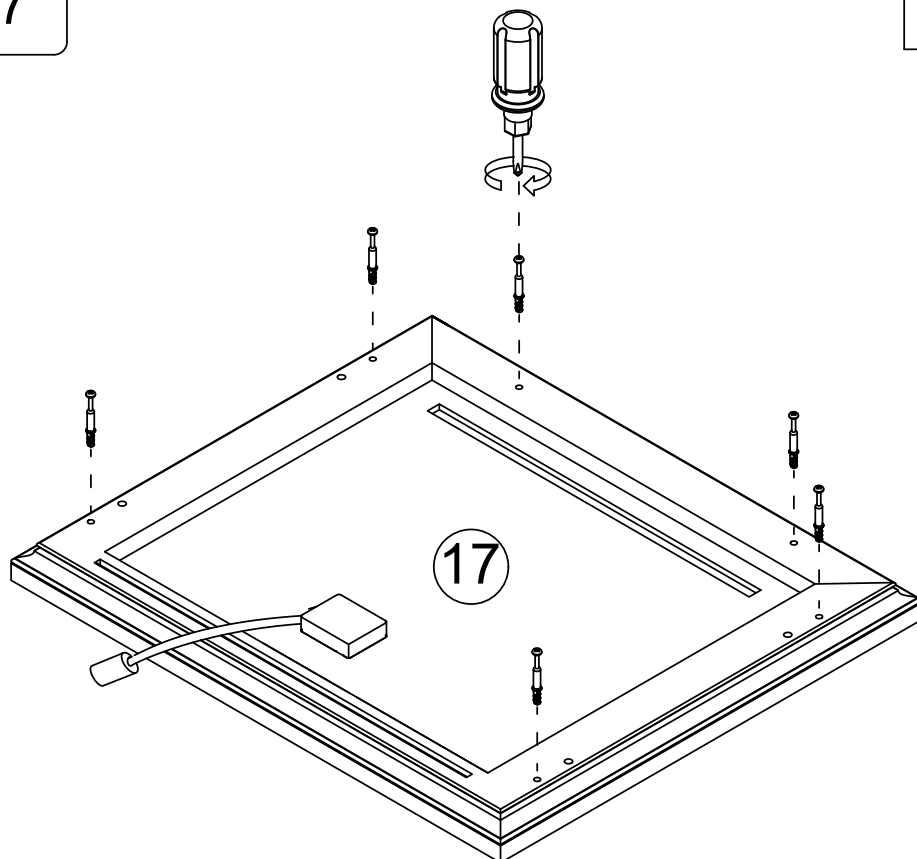
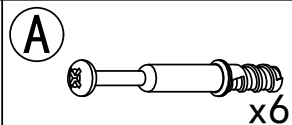


Using accessories " i " can cover the nut holes,
making your bedside table more aesthetically pleasing

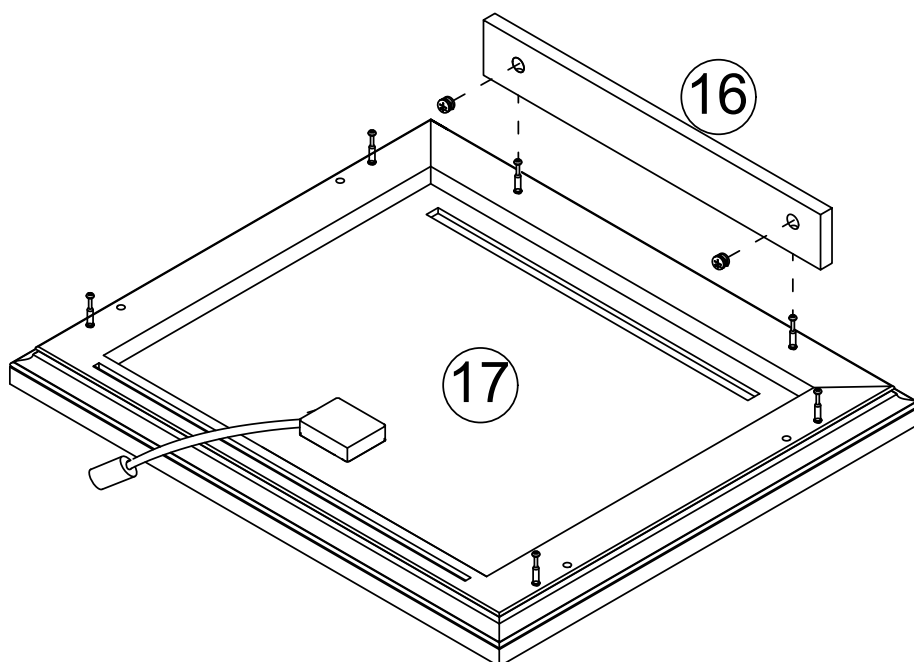
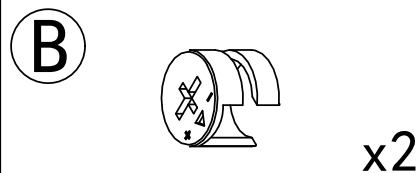
Step 36



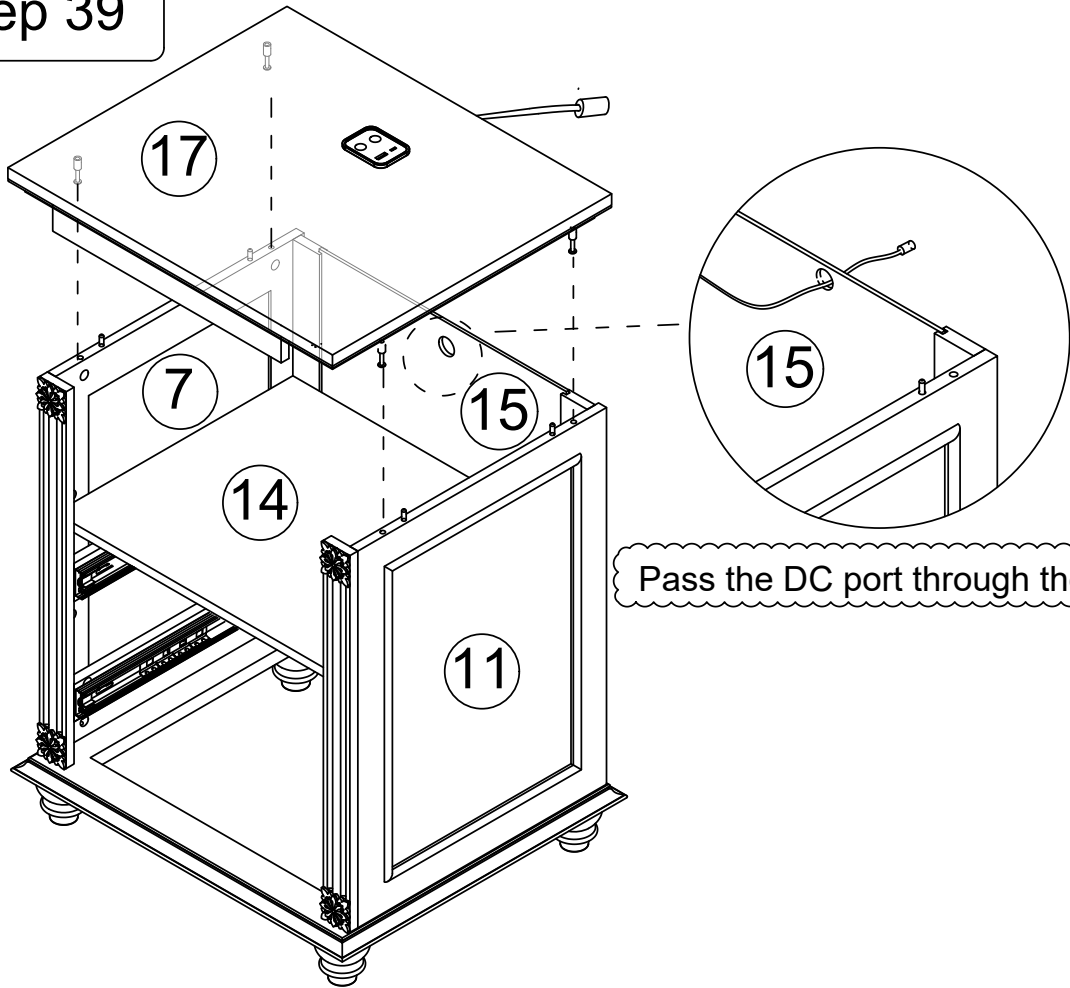
Step 37



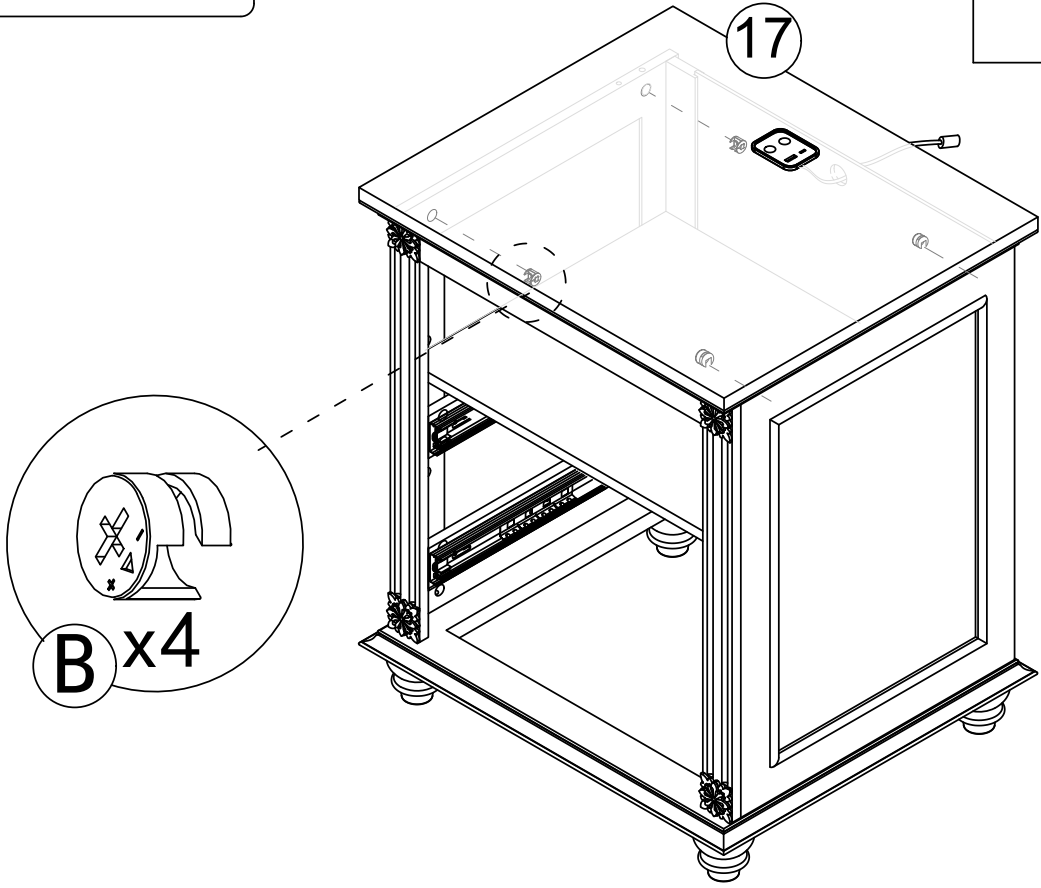
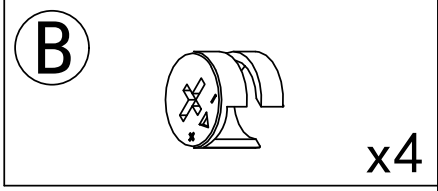
Step 38



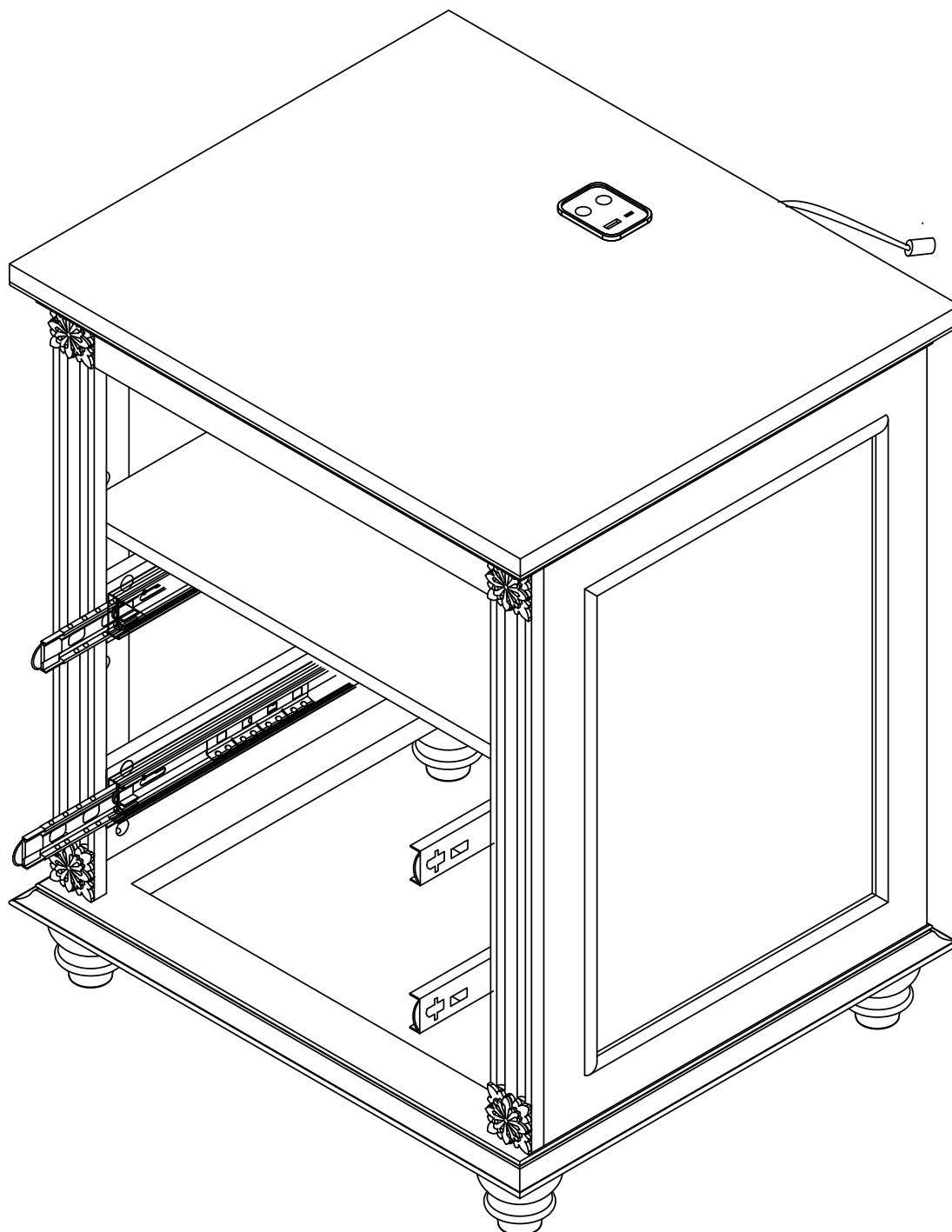
Step 39



Step 40

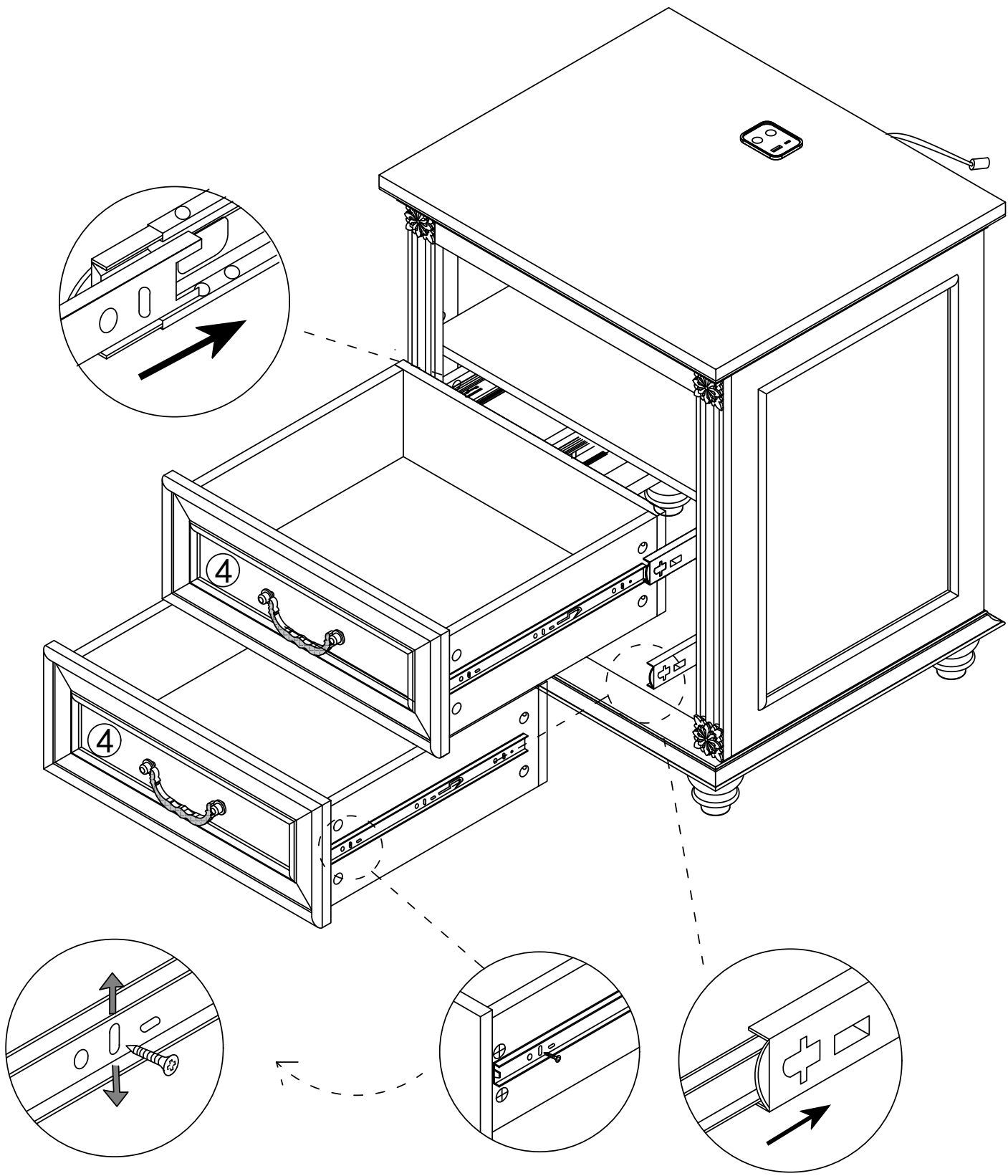


Step 41



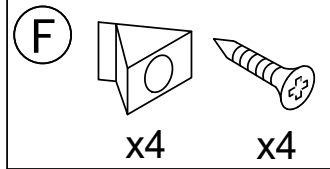
As shown, When installing the drawer,
pull the guide rail out first, Slide beads are also pulled out.

Step 42

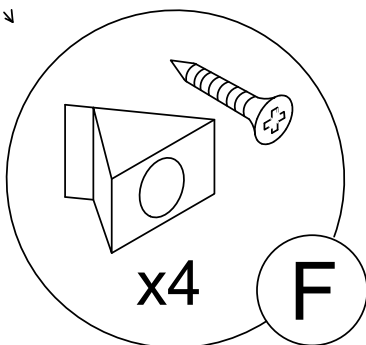
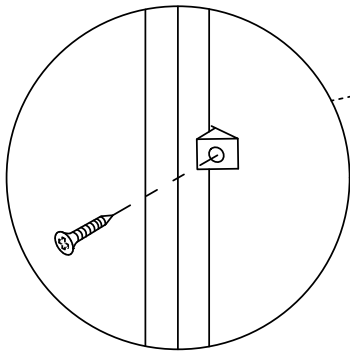
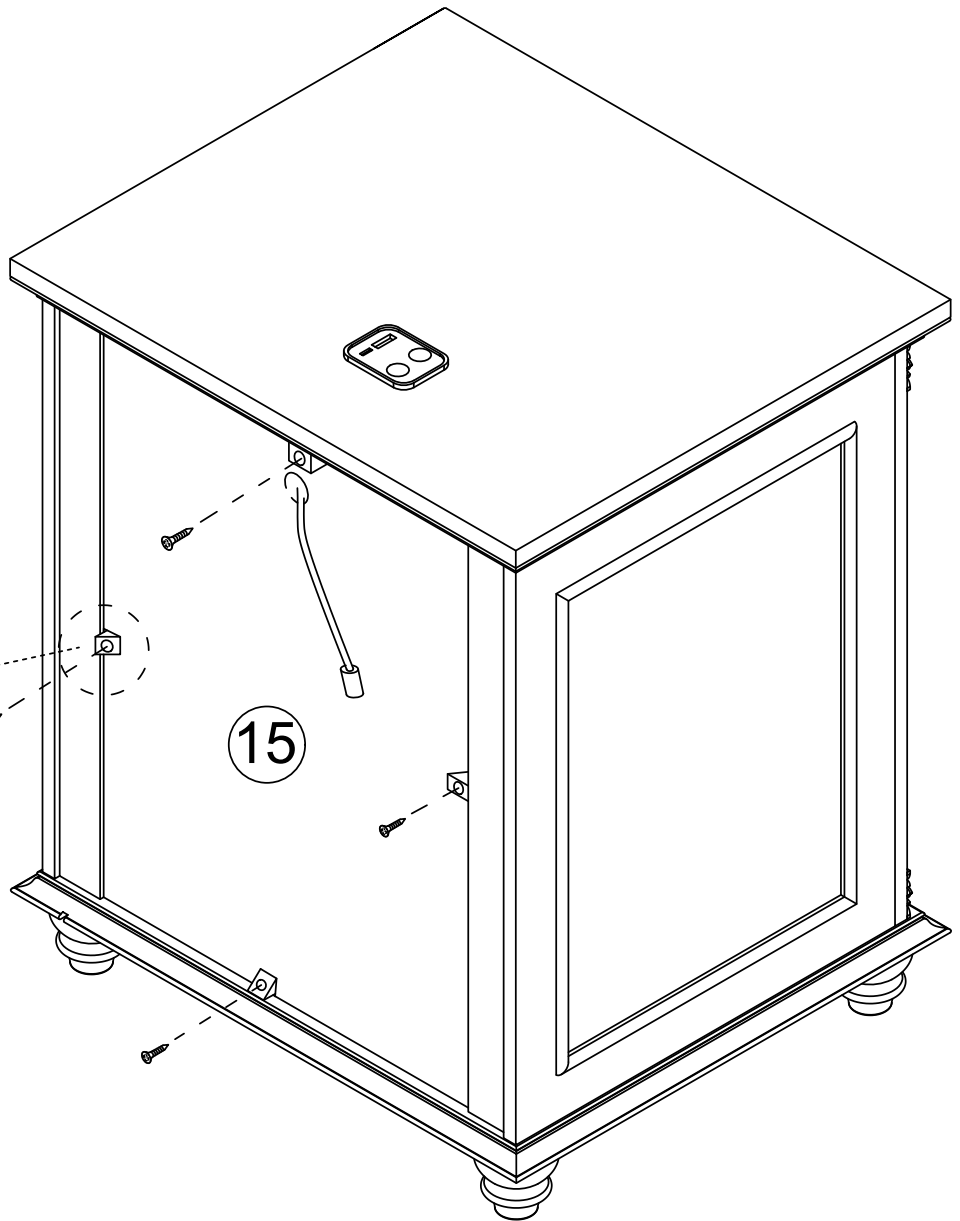
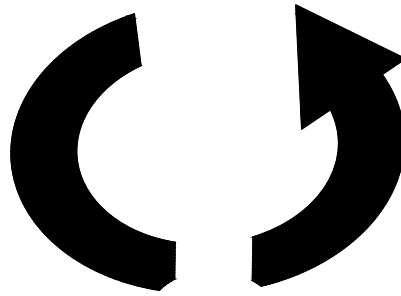


If a large gap is found after installing the drawer the slide rail can be moved up and down to adjust the gap

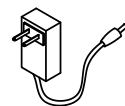
Step 43



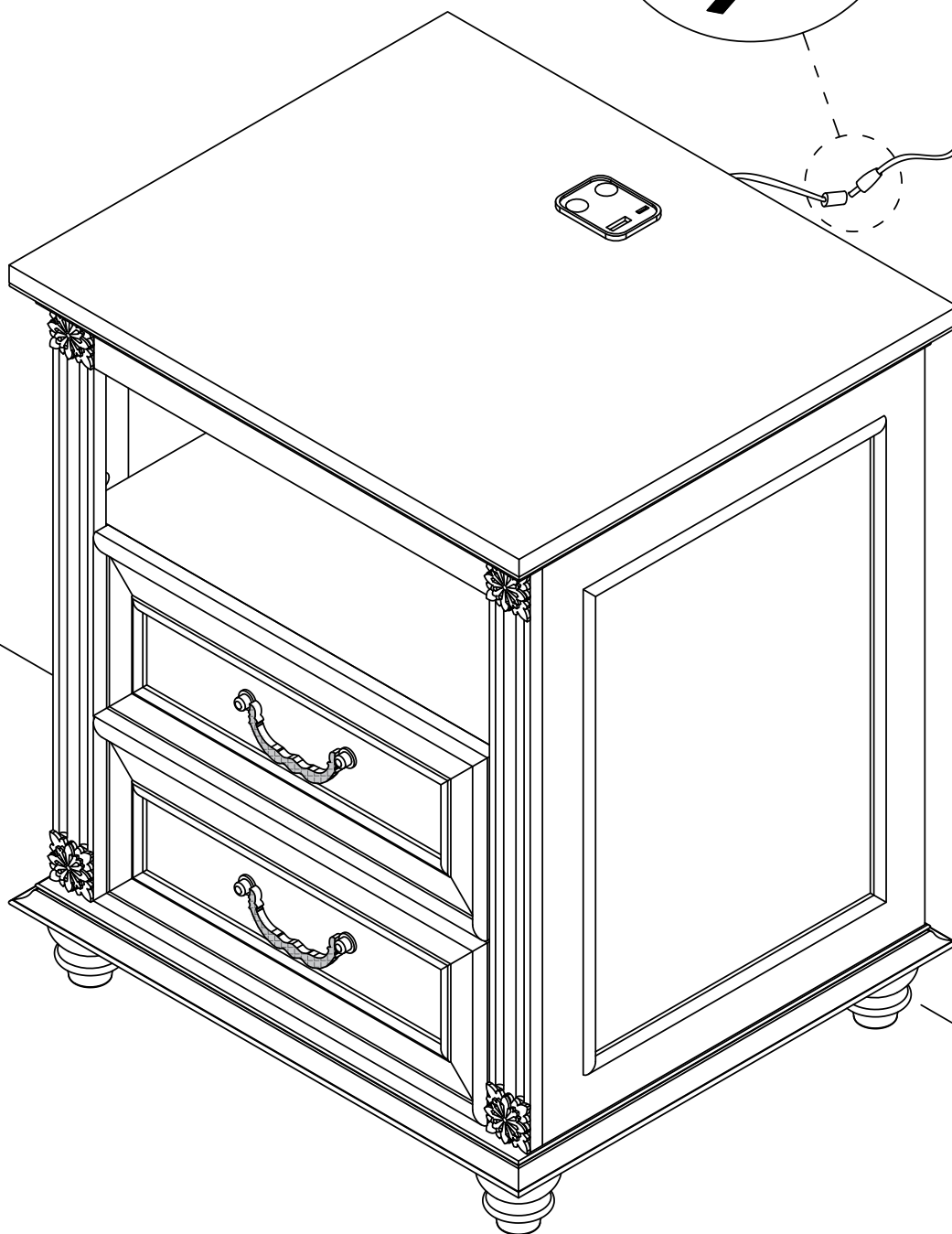
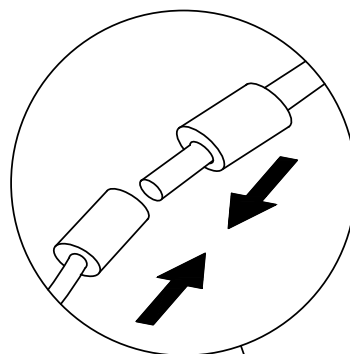
Rotate to Back



Step 44



x1



wall

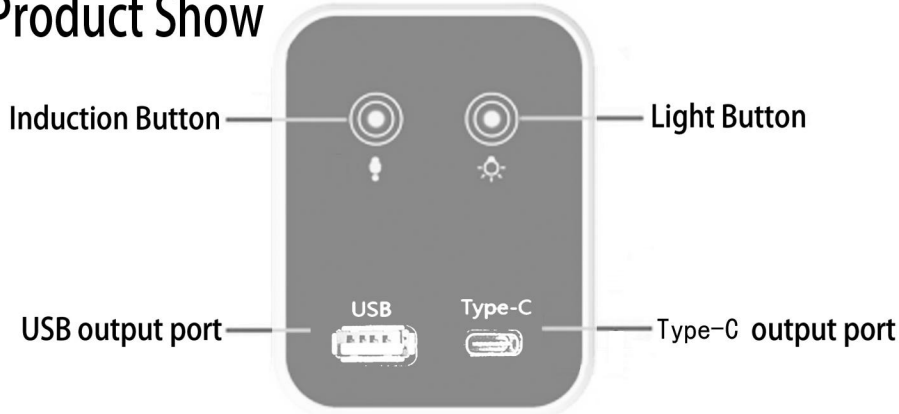
User's Guide

Thank you for purchasing this product. To use this product, please plug it into a 12V DC power supply. Please use if the product works normally after connecting to power.

Introduction

The box is an intelligent controller. It has 1 USB port and 1 type-C port and can distribute the current output up to 5V DC-2A. With 2 touch buttons, it can turn ON/OFF the light, change light colors, and adjust the light luminance.

Product Show



ATTENTION PLEASE

1. If there is no touch response suddenly, Re-plug the power to reset the touch static electricity.
2. If bubbles appear on the panel, remove the protective film.

Operation



This touch button is used to turn on/off, change colors, and adjust brightness.

A. Short touch -> lighting on -> short touch -> change light color -> short touch -> change light color -> short touch -> lighting off. B. Long touch -> adjust the luminance



This touch button is used to turn on/off the induction function.

A. Short touch to turn on the induction function. It can auto-turn on the light when people are close to the controller in 1 meters. It can auto power off the light when the body is far away from the controller after 30 seconds.

B. Long touch to turn off the induction function.

C. Note: When you touch the light button to change the light modes, the induction function will automatically turn off. It is best to turn on this function after selecting the light color and adjusting the brightness you want.