



Reach™ Curv

Hidden cord one-piece compact elongated toilet with skirted trapway, dual-flush
K-23188-HC

Features

- One-piece toilets integrate the tank and bowl into a seamless, easy-to-clean design
- Compact elongated bowl offers added comfort while occupying the same space as a round-front bowl
- Standard height
- Top-mount dual-flush actuator offers a choice of 0.8 or 1.28 gpf (3.0 or 4.8 lpf)
- 2" (51 mm) glazed trapway
- Fully skirted trapway simplifies cleaning
- Hidden cord design conceals bidet seat cords (bidet seat sold separately)
- Alternative option available: Reach Curv with nonhidden cord design (K-23188)
- Includes bidet water inlet hose

Installation

- Standard 12" (305 mm) rough-in
- Supply line sold separately
- Seat sold separately

Recommended Products/Accessories

- K-28821 PureWash® E930 Elongated bidet toilet seat with remote control
- K-8298-CR PureWash® E820 Elongated bidet toilet seat with remote control
- K-27142-CR PureWash® E700 Elongated bidet toilet seat with remote control
- K-26132-CSP PureWash® E545 Elongated bidet toilet seat
- 1265114 Connector Hose
- 1023457 Wax Ring/Hardware Kit



Codes/Standards

- ASME A112.19.2/CSA B45.1
- ASME A112.19.14
- DOE - Energy Policy Act 1992
- EPA WaterSense®
- California Energy Commission (CEC)
- IAPMO Certification

KOHLER® Toilets and Seats Limited Warranty

See website for detailed warranty information.

Available Colors/Finishes

Color tiles intended for reference only.

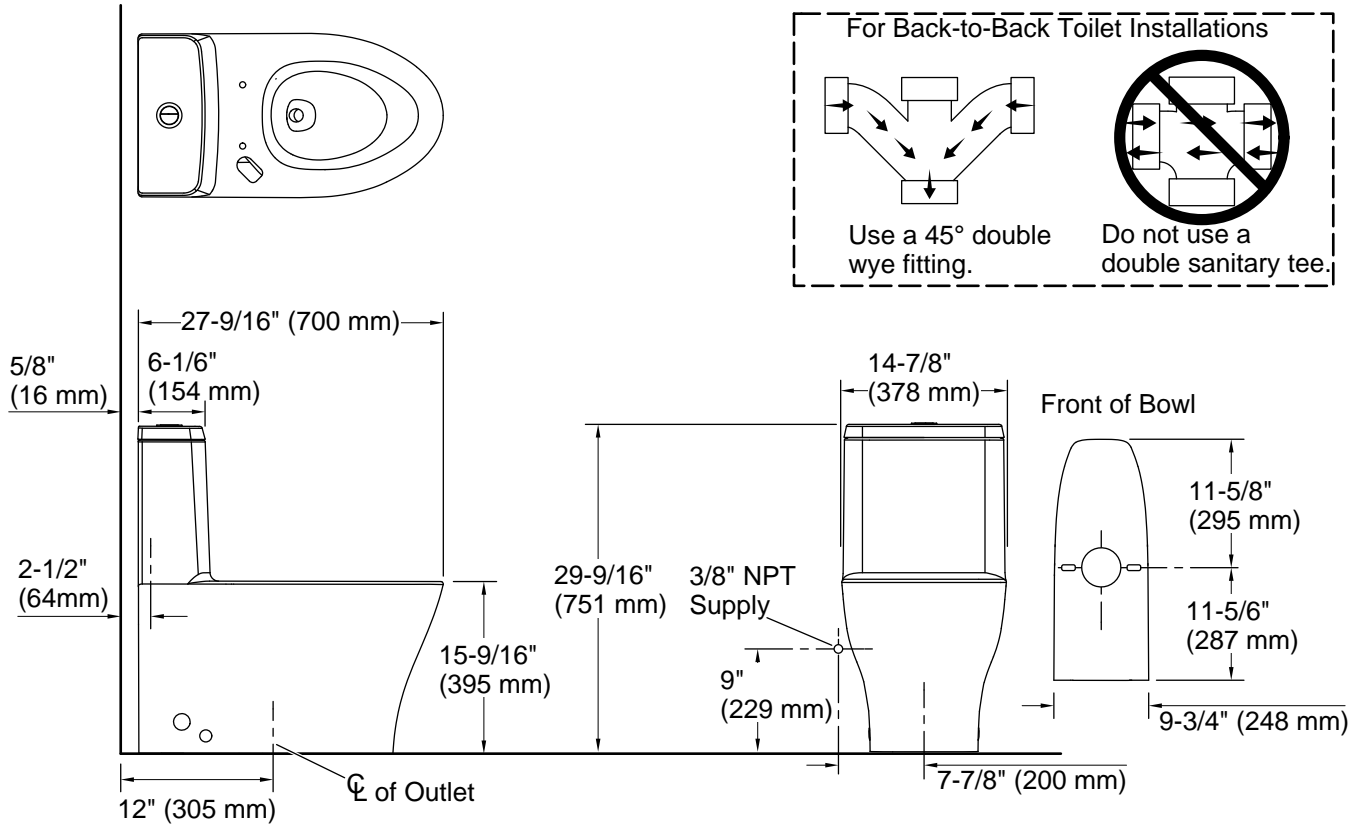
Color Code Description

	0	White
--	---	-------



Reach™ Curv

Hidden cord one-piece compact elongated toilet with skirted trapway, dual-flush K-23188-HC



Technical Information

All product dimensions are nominal.

Toilet type:	Floor-mount
Waste Outlet:	Floor
Bowl shape:	Compact elongated
Flush type:	Class Five
Trap passageway:	2" (51 mm)
Water surface size:	7-3/4" x 5-3/4" (197 mm x 146 mm)
Rim to water surface:	5-13/16" (148 mm)
Rough-in:	12" (305 mm)
Seat-mounting holes:	5-1/2" (140 mm)
Template:	Footprint, 1392770-7, not required, not included

Notes

Install this product according to the installation instructions.

Fixture Supply Requirements

Min static pressure:	20 psi (137.9 kPa)
Max static pressure:	80 psi (551.6 kPa)
Min flowing pressure:	15 psi (103.4 kPa)

1-800-4KOHLER (1-800-456-4537)

Kohler Co. reserves the right to make revisions without notice to product specifications.

For the most current Specification Sheet, go to www.kohler.com USA or www.kohler.ca Canada

12-9-2024 21:54 - US/CA

THE BOLD LOOK
OF **KOHLER**