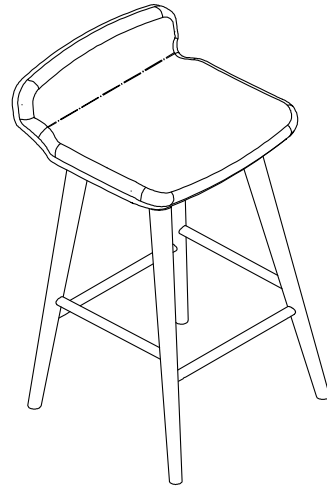


# COUNTER STOOL

## Assembly Instructions



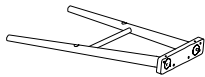
Everything we make is incredibly simple to set up, including your new bar cart. You won't need any additional tools.

### Parts List

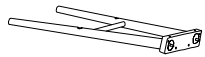
A x 1  
Chair Seat



B x 1  
Leg Frame-1



C x 1  
Leg Frame-2



D x 2  
Leg Rail



### Hardware List

HW1 x 4  
Socket Bolts M6x1.0x40mm



HW1 x 8  
Socket Bolts M6x1.0x30mm



HW3 x 12  
Split Lock Washer 6mm



HW4 x 12  
Flat Washer 6mm

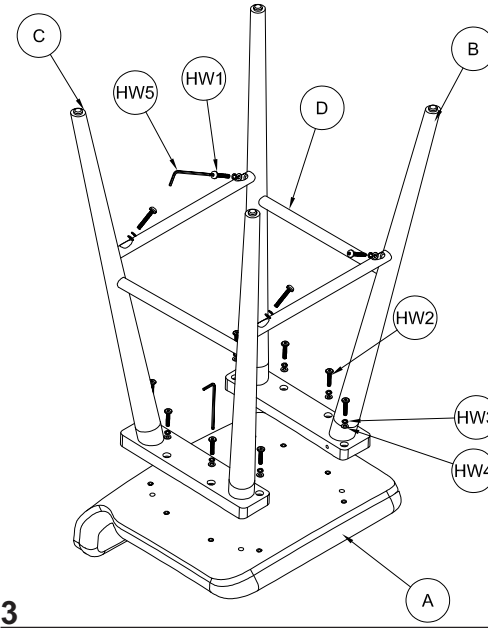


HW5 x 1  
Allen Key

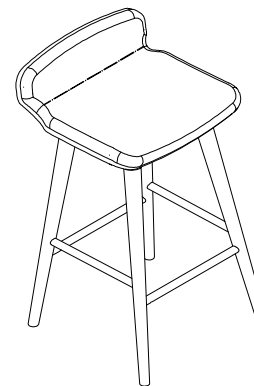


**1**

Attach the leg frame and the leg rail to the chair seat as illustrated in picture. Make sure to apply all the bolts into the holes properly before tightening.



**3**



**2**

Assembly completed.

