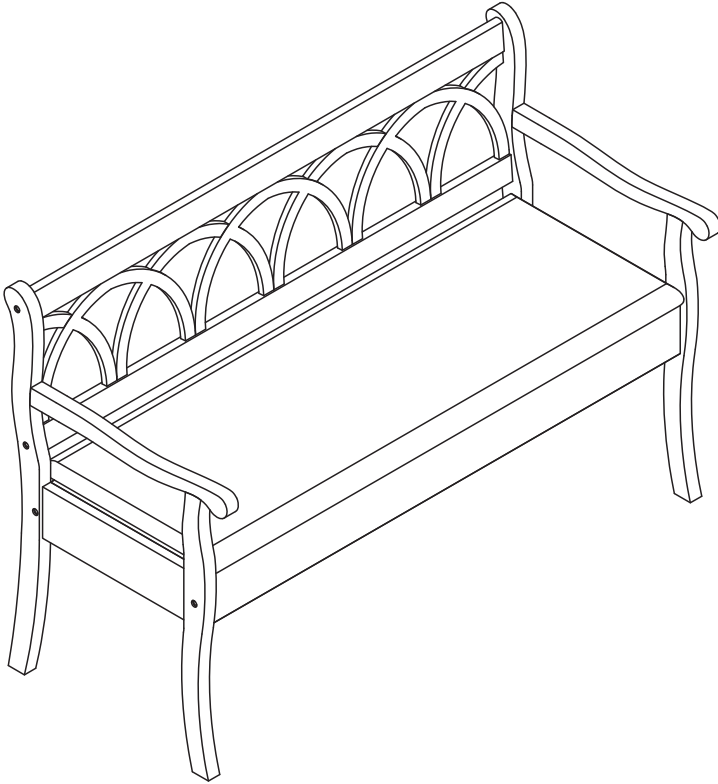


# BENCH

## ASSEMBLY INSTRUCTIONS

---



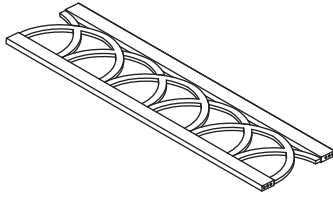
### **WARNING**

1. Do not use this product unless all screws and bolts are securely tightened.
2. Check that all screws and bolts are tight every three months or as needed.
3. Dispose of packing material properly. Do not use plastic cover as head covering. It may cause suffocation.
4. Do not use this product as a stepladder.
5. Use this product for its intended purpose only.
6. **Intended for residential use only.**

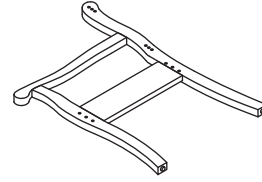
### **LIMITED WARRANTY**

We warrant to the original purchaser our products to be free from defects in material and workmanship for a period of 90 days. Defects and damage from misuse, abuse, negligence, alteration, accident, vandalism, rusting, acts of nature or any other event beyond the control of us is not covered. The warranty does not cover cosmetic damage that may result from normal use. Liability for incidental or consequential damages is excluded. The user assumes all risk of injury resulting from use of this product. This warranty gives you specific legal rights, and you may also have other rights which vary from state to state.

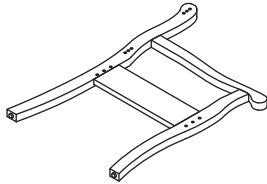
## PARTS LIST



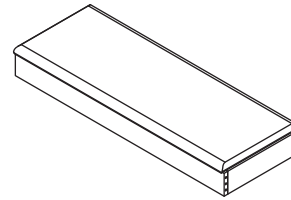
(A) Backrest (1 PC)



(B) Left Side Frame (1 PC)






(C) Right Side Frame (1 PC)

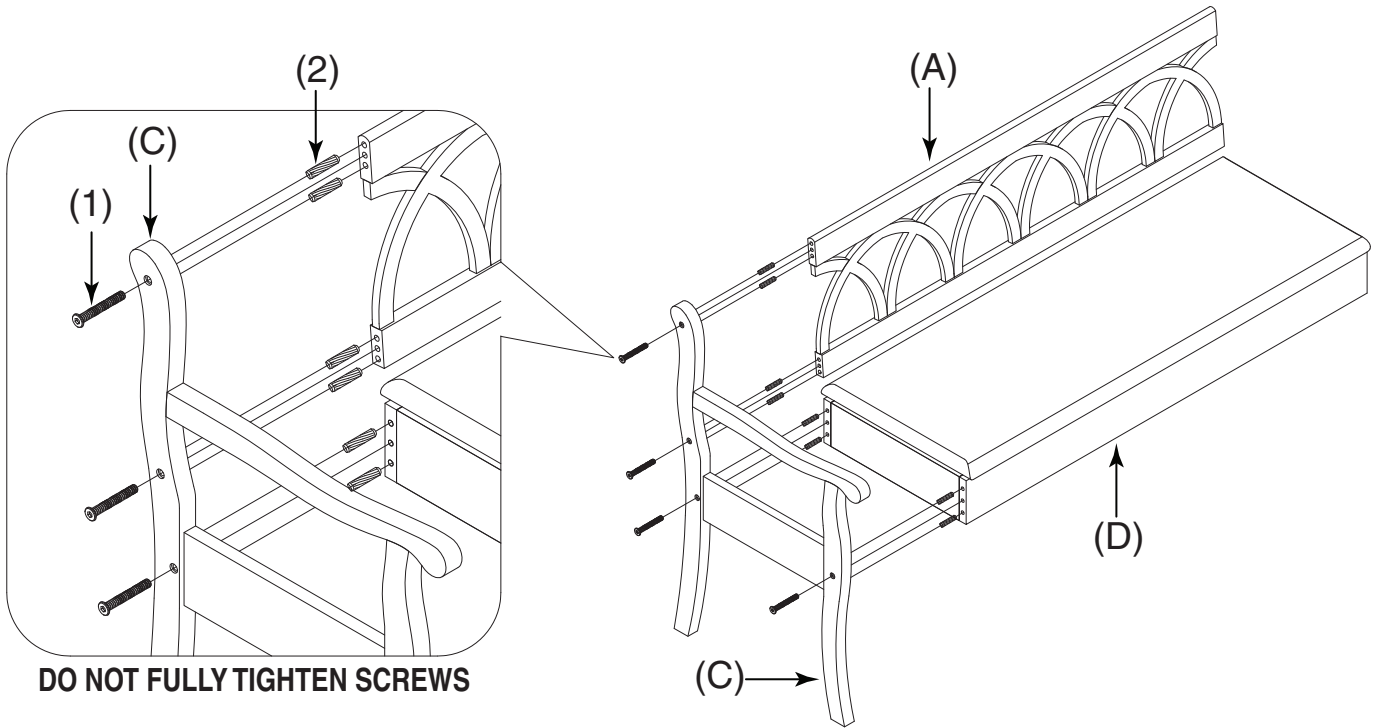


(D) Seat (1 PC)

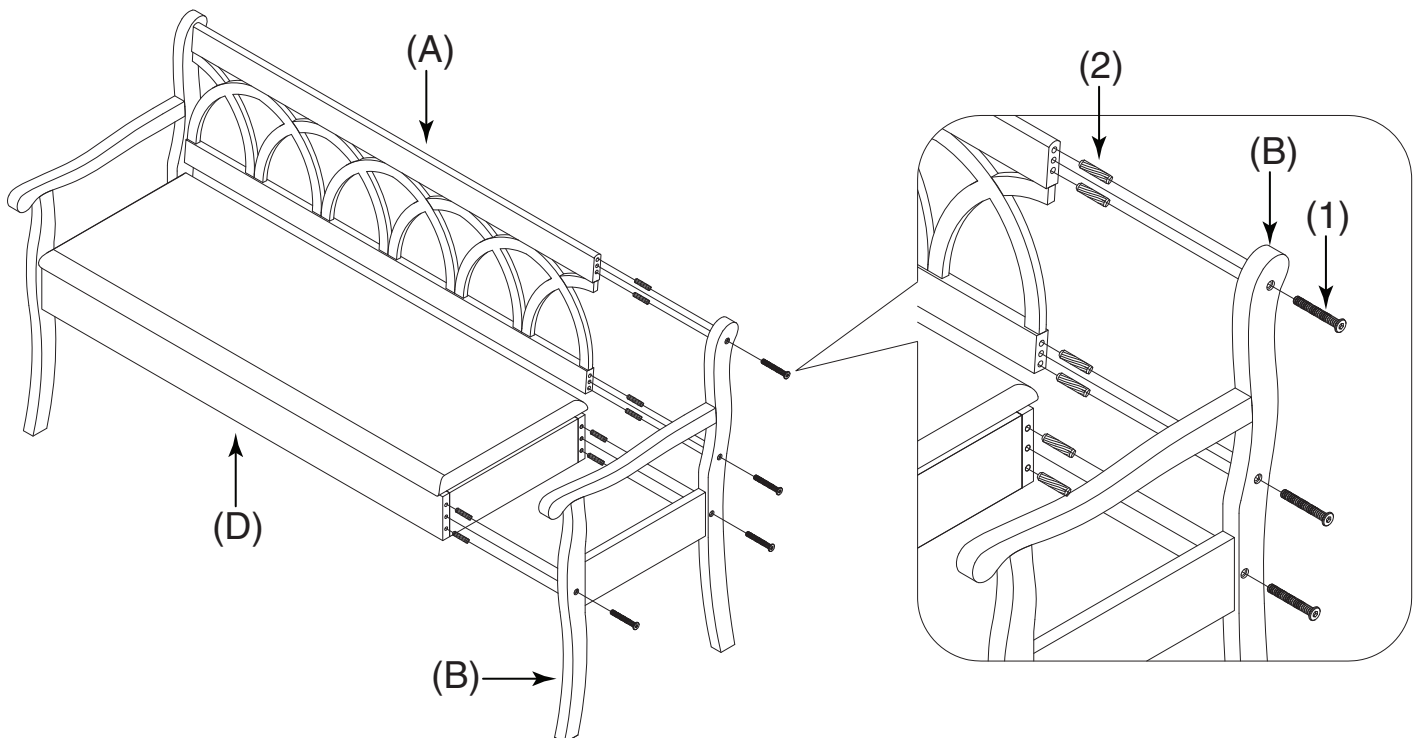
## HARDWARE LIST

NO	DRAWING	DESCRIPTION	SIZE	QUANTITY
1		Screw	5/16" x 1-3/16"	8 PCS
2		Wooden Dowel	5/16" x 1-15/16"	16 PCS
3		Allen Wrench		1 PC

## STEP 1



## STEP 2



**IMPORTANT: APPLY FIRM PRESSURE TO ALIGN & FULLY TIGHTEN ALL SCREWS**