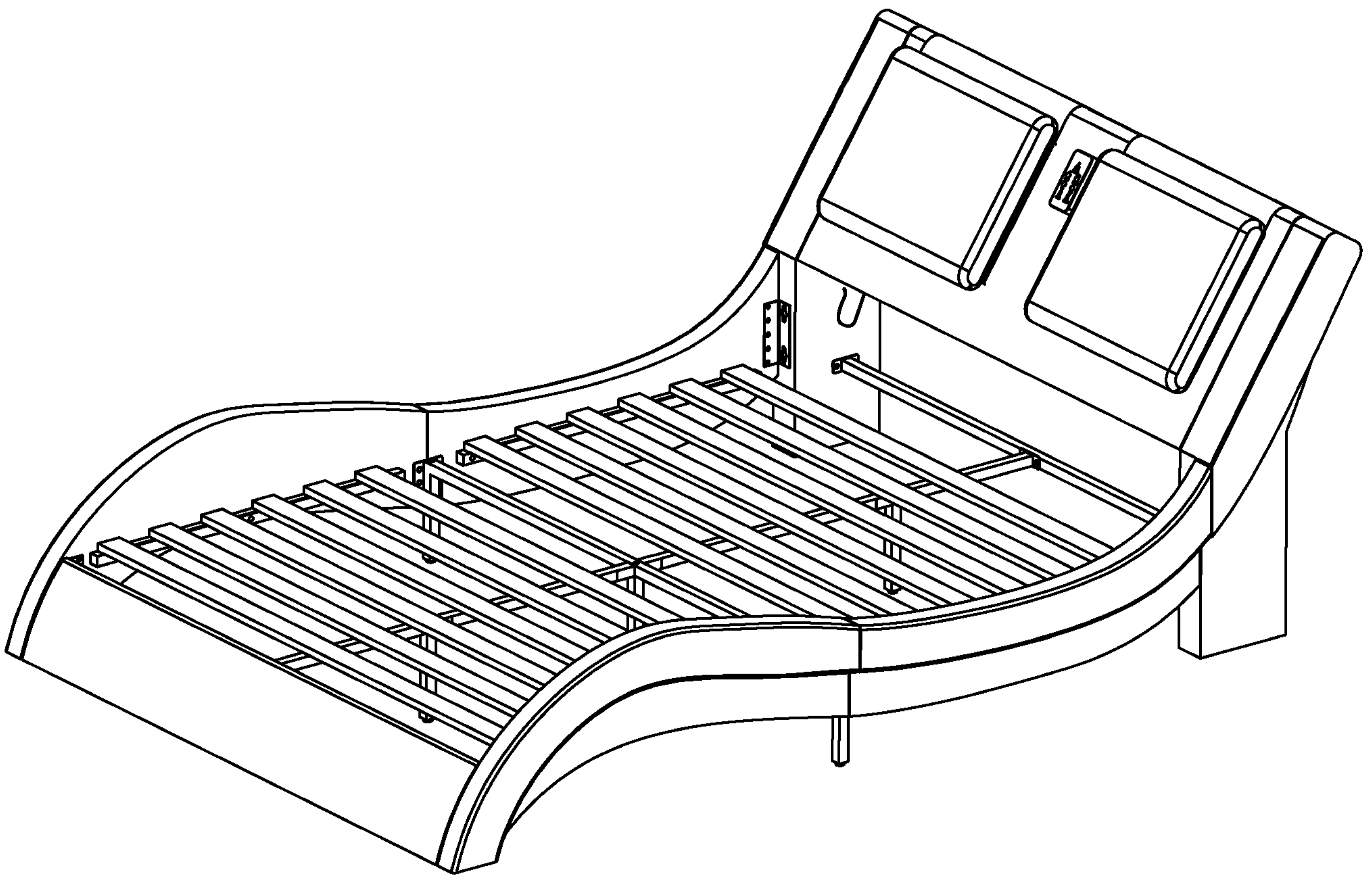
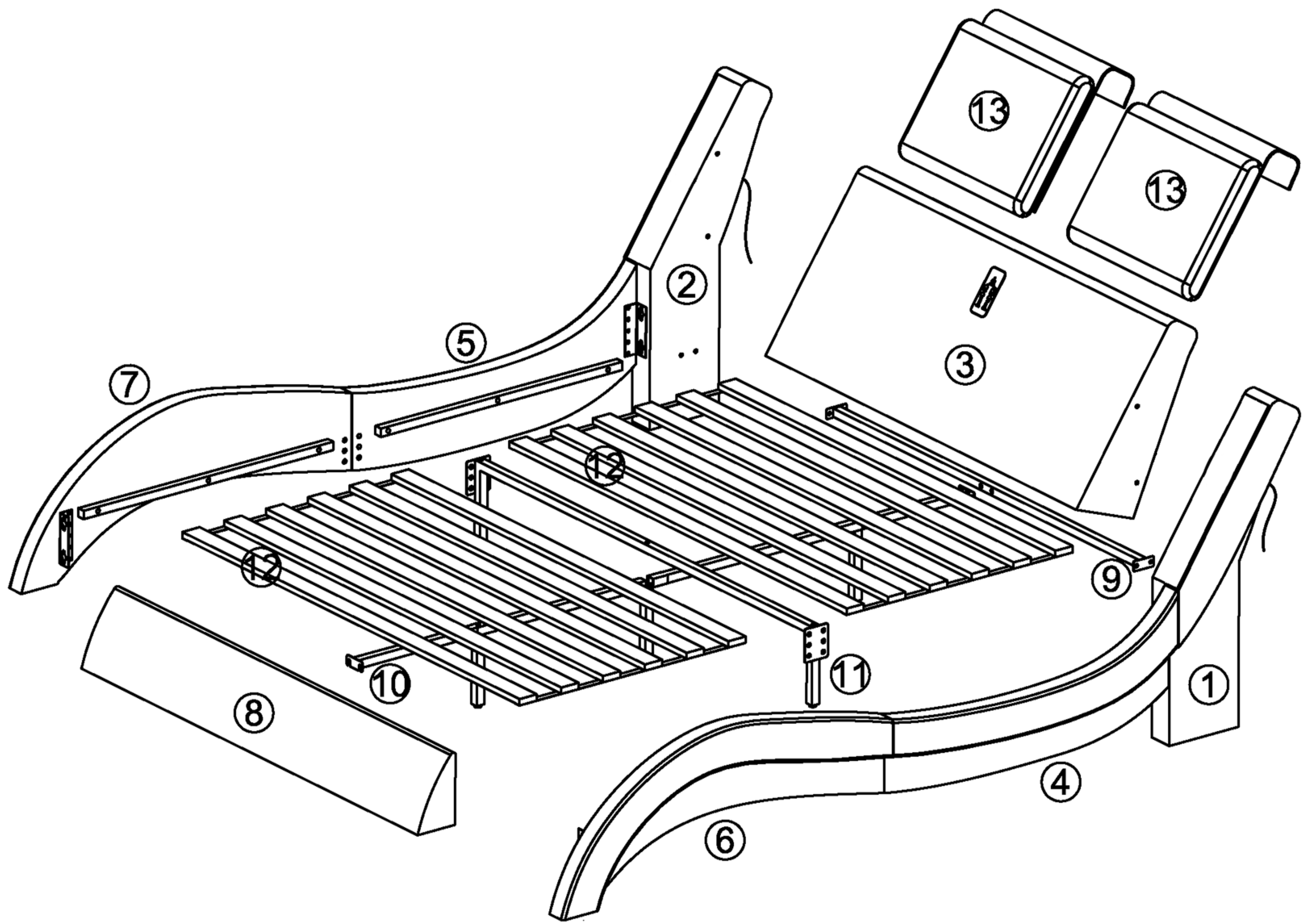


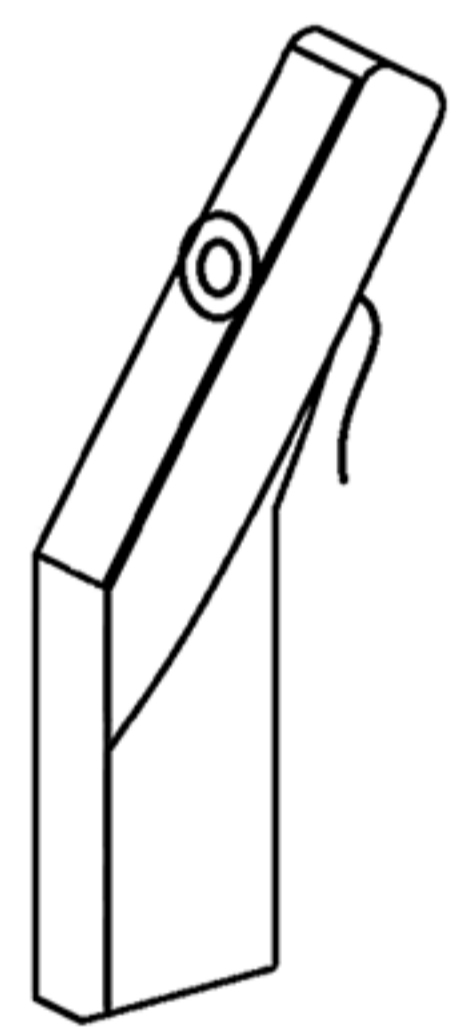
# HC-C010

## Assembly Guidance

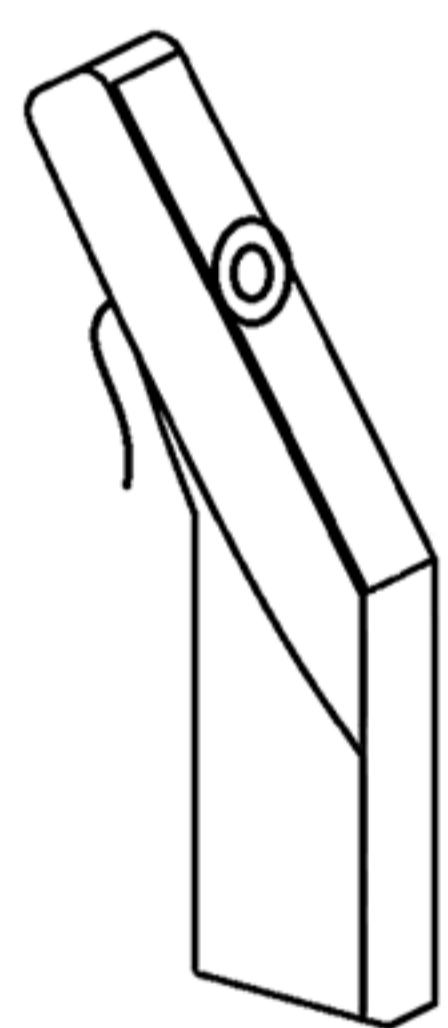




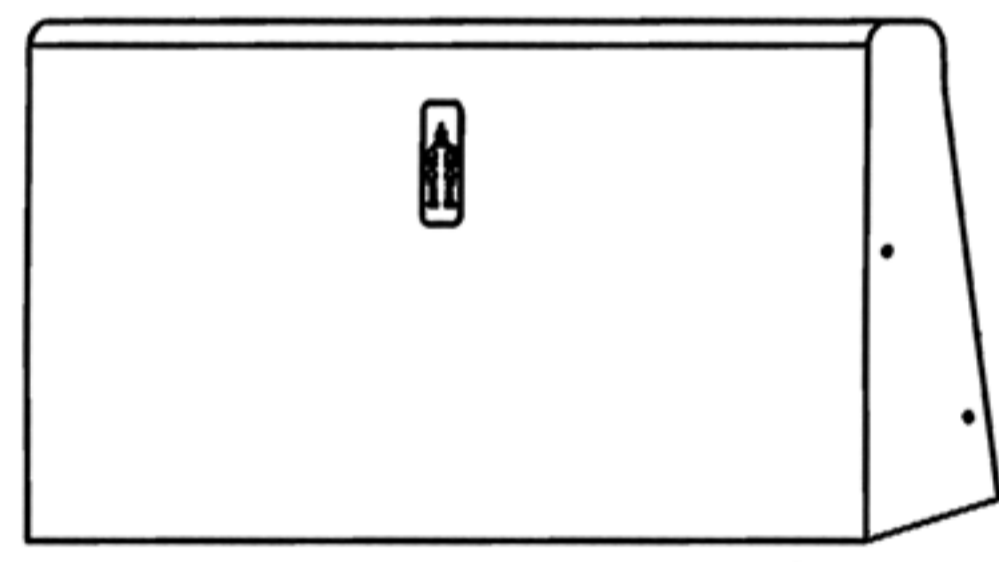
Part list



① 1PCS



② 1PCS



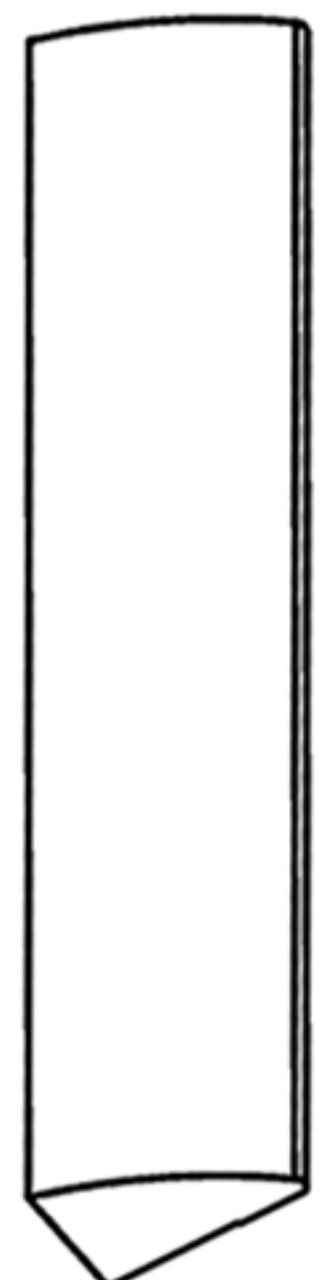
③ 1PCS



④ 1PCS



⑥ 1PCS



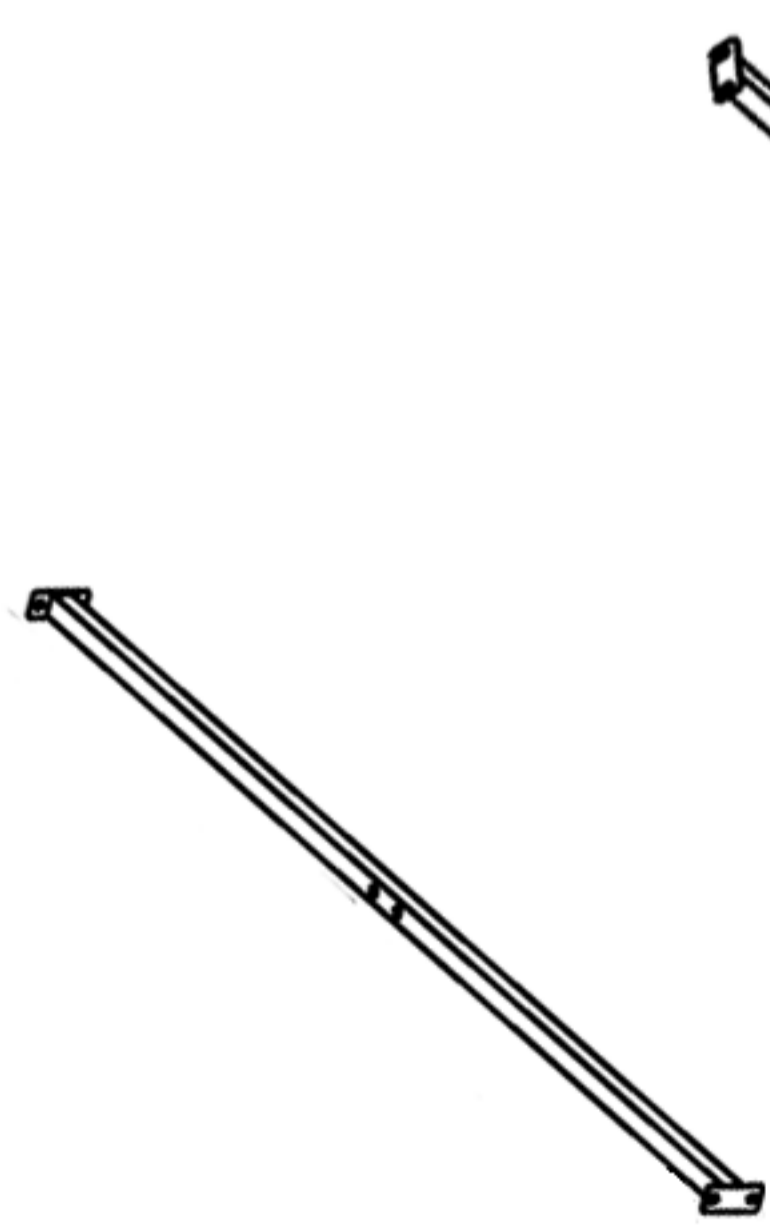
⑧ 1PCS



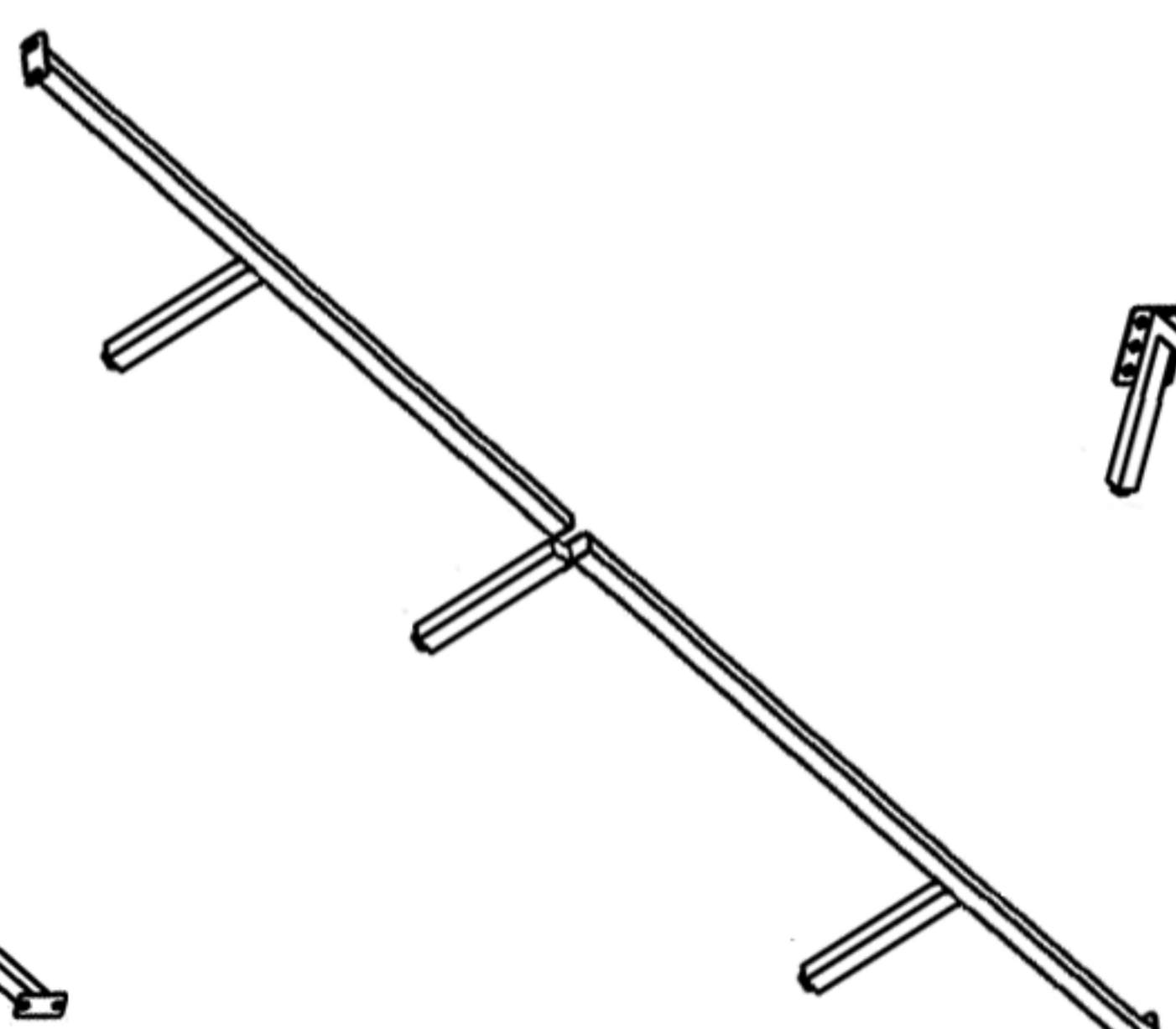
⑤ 1PCS



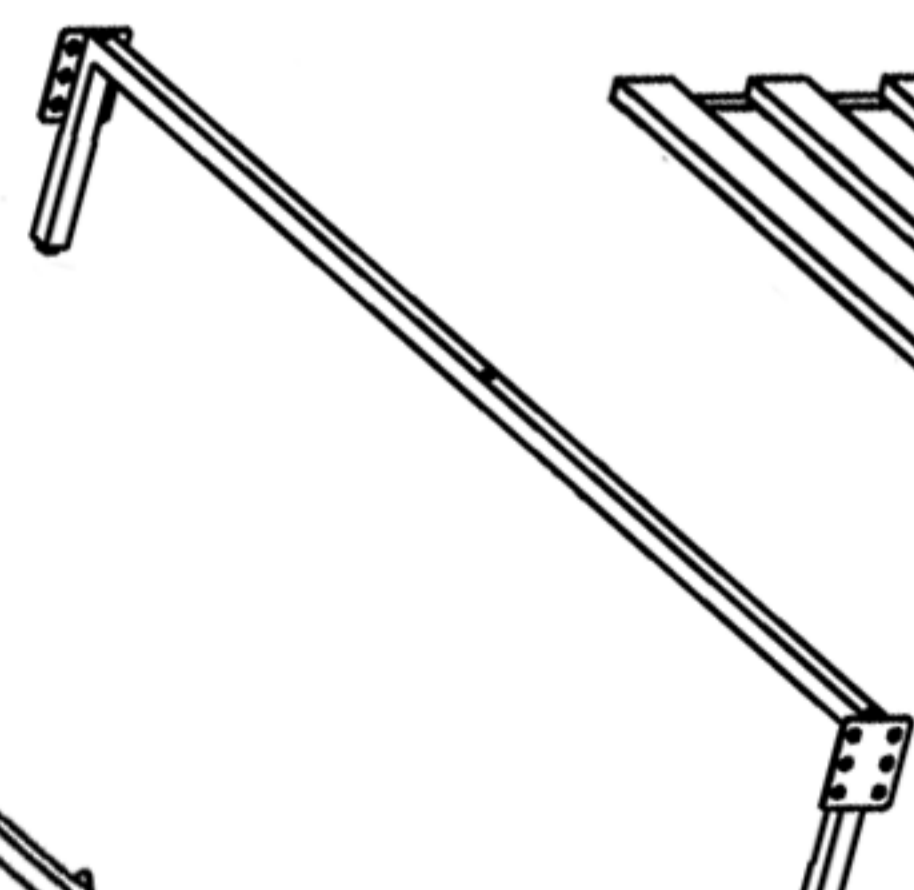
⑦ 1PCS



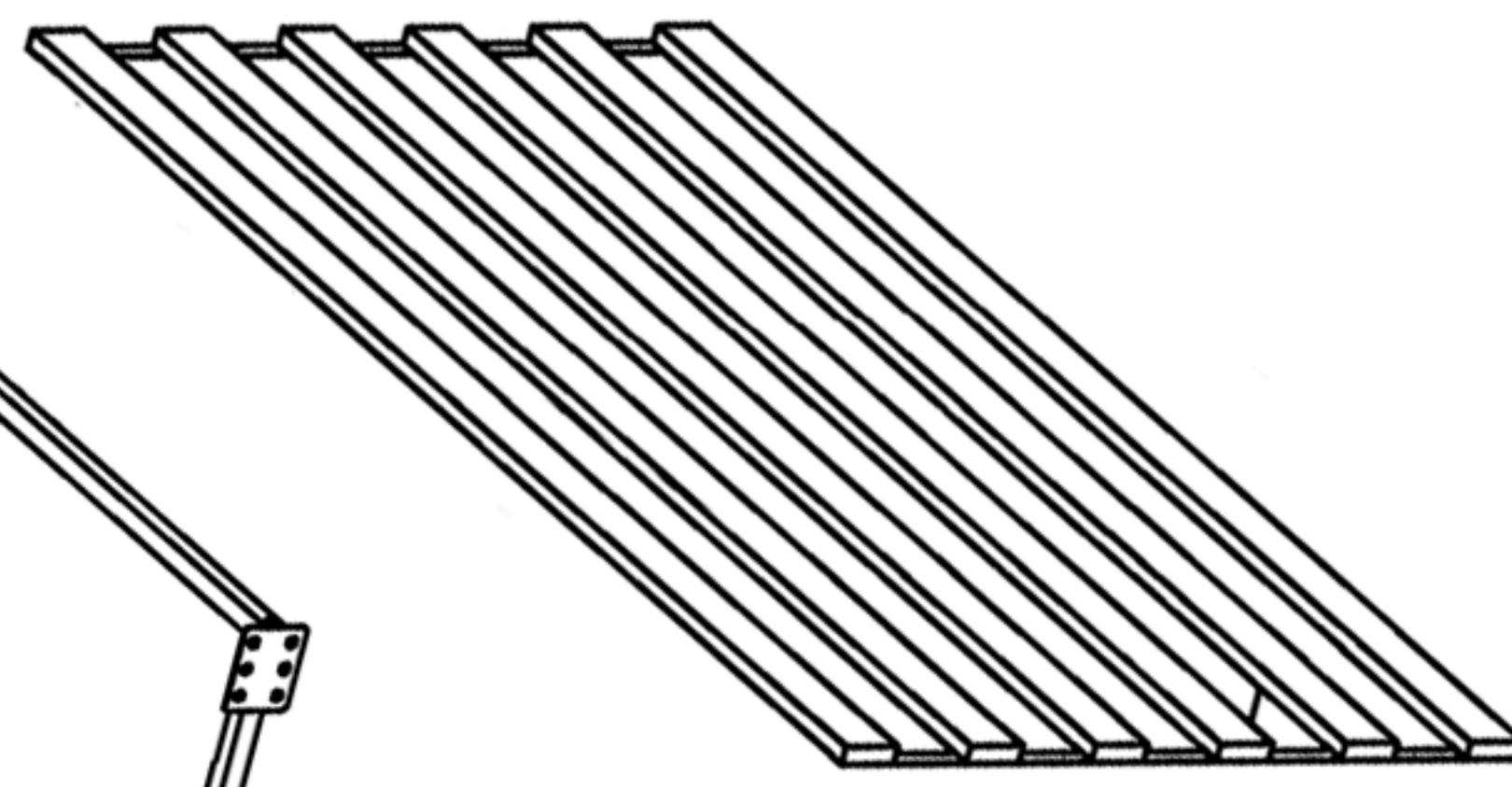
⑨ 1PCS



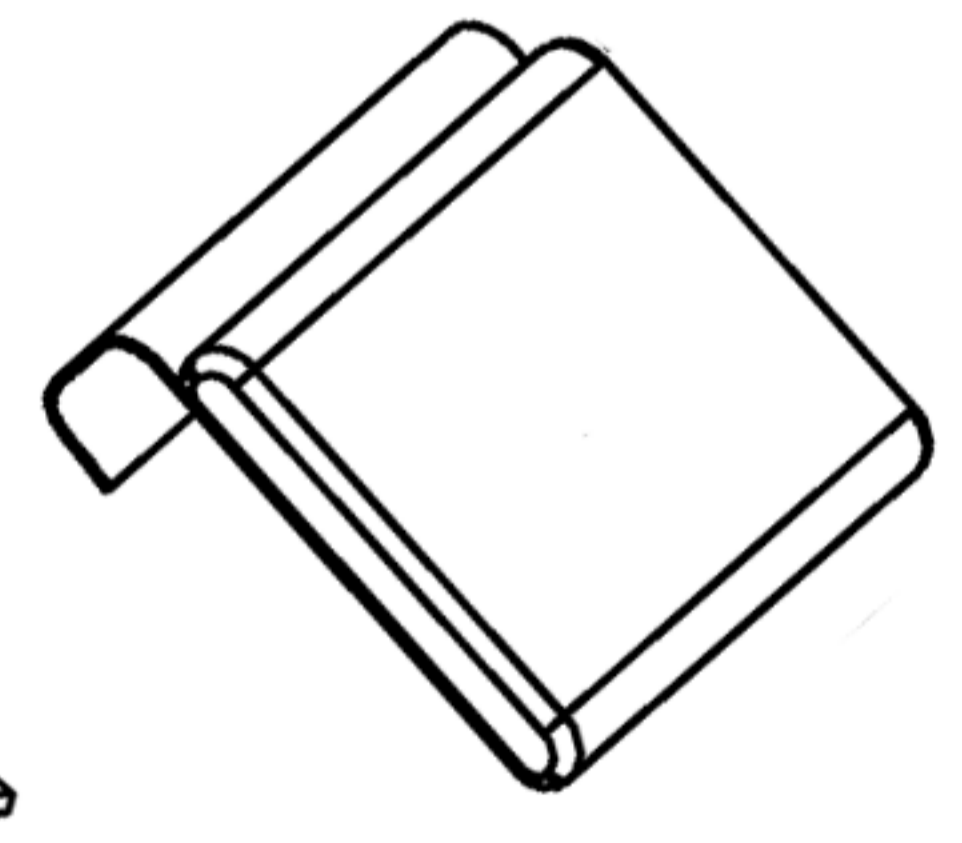
⑩ 1PCS



⑪ 1PCS

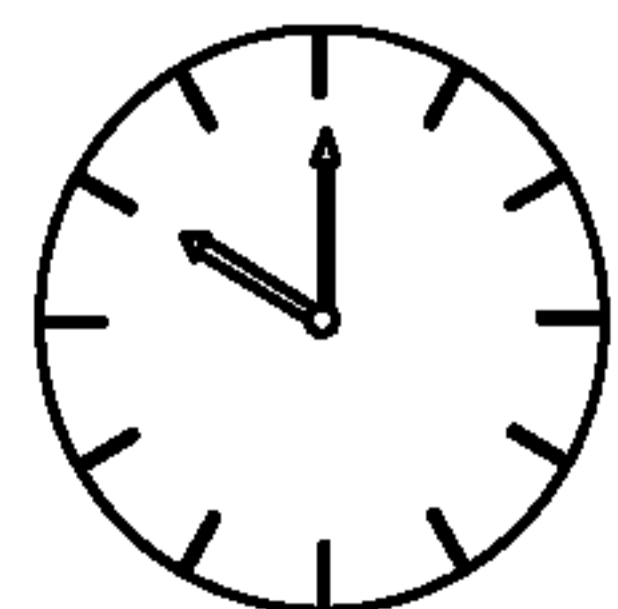
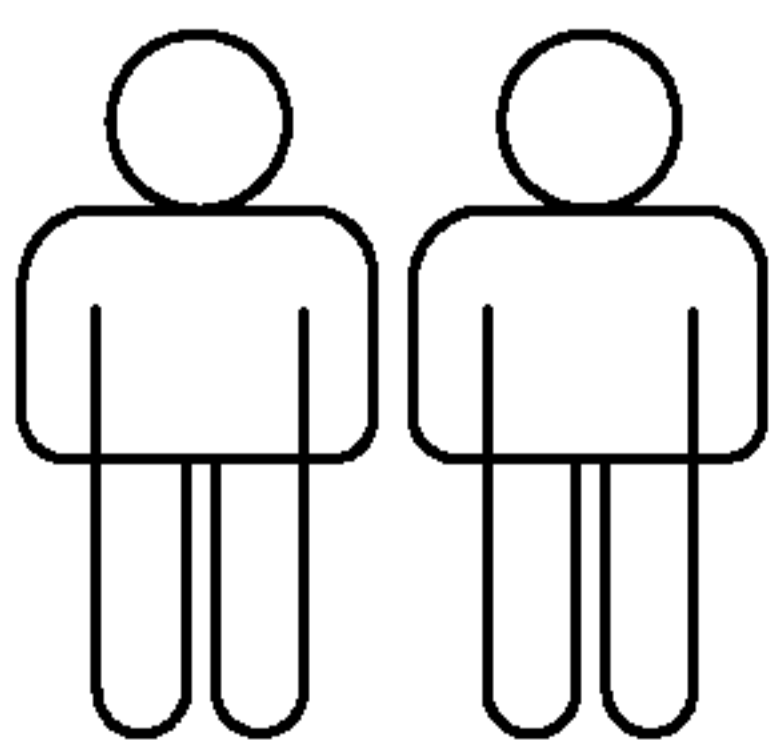


⑫ 2PCS



⑬ 2PCS

2 PERSONEN



60 min

Hardware list



M8x18mm

① 12PCS



M8x40mm

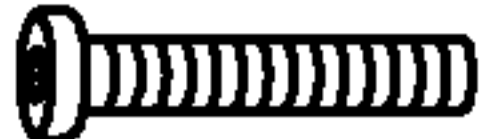

② 9PCS

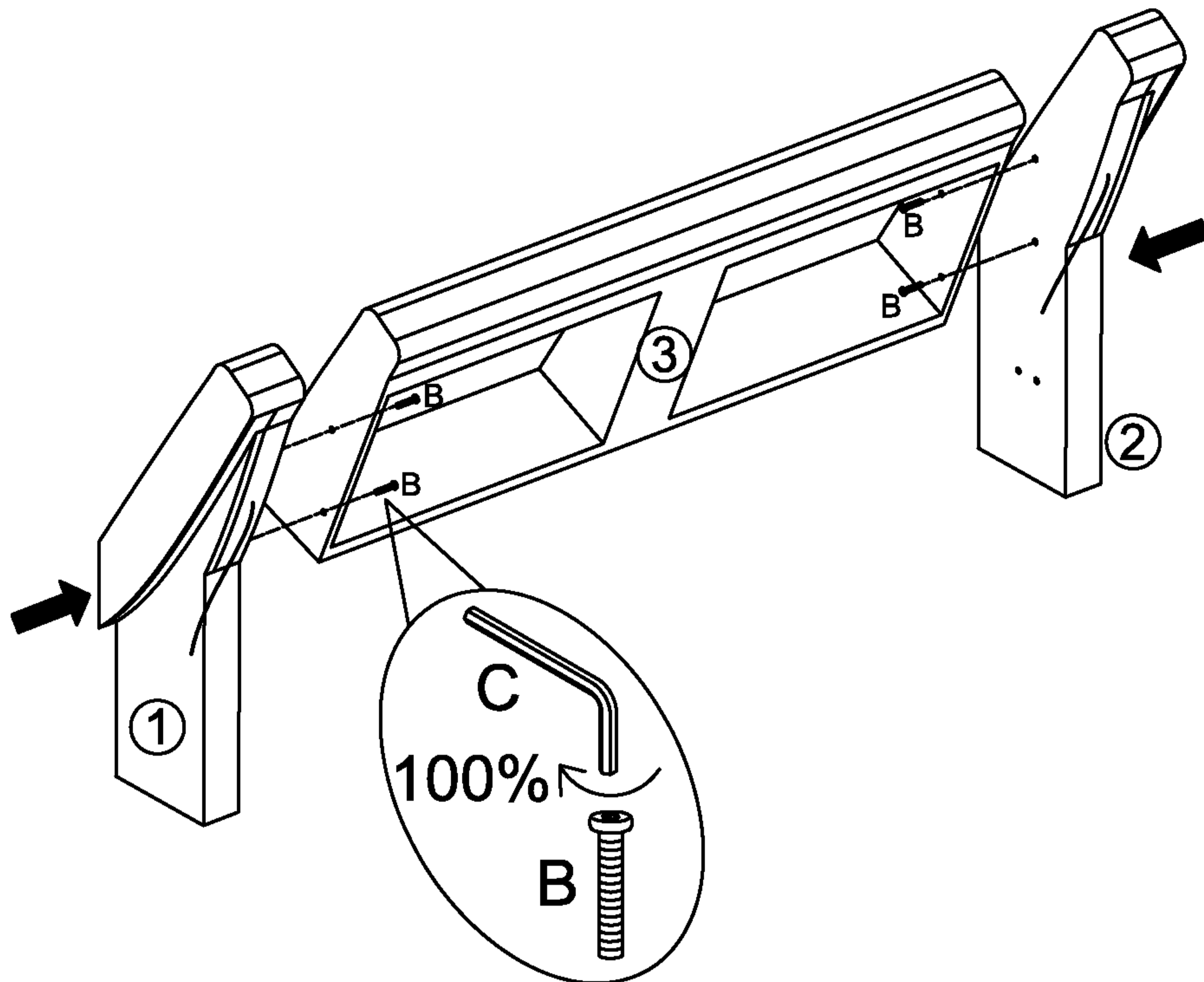


5#



③ 1PCS

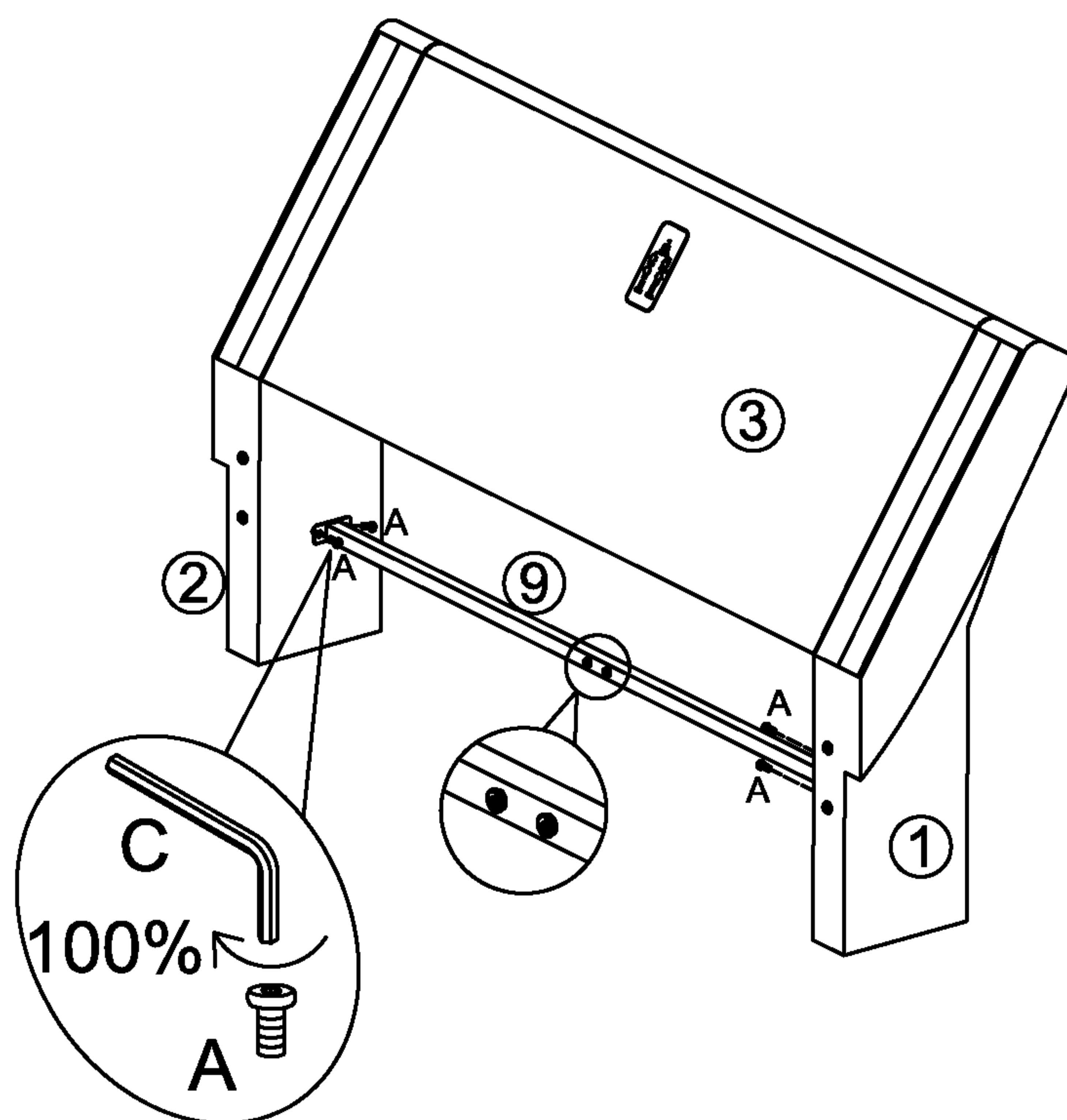
1

B	x4	C	x1
			
M8*40mm		5#	

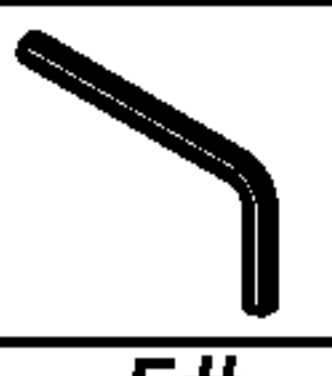


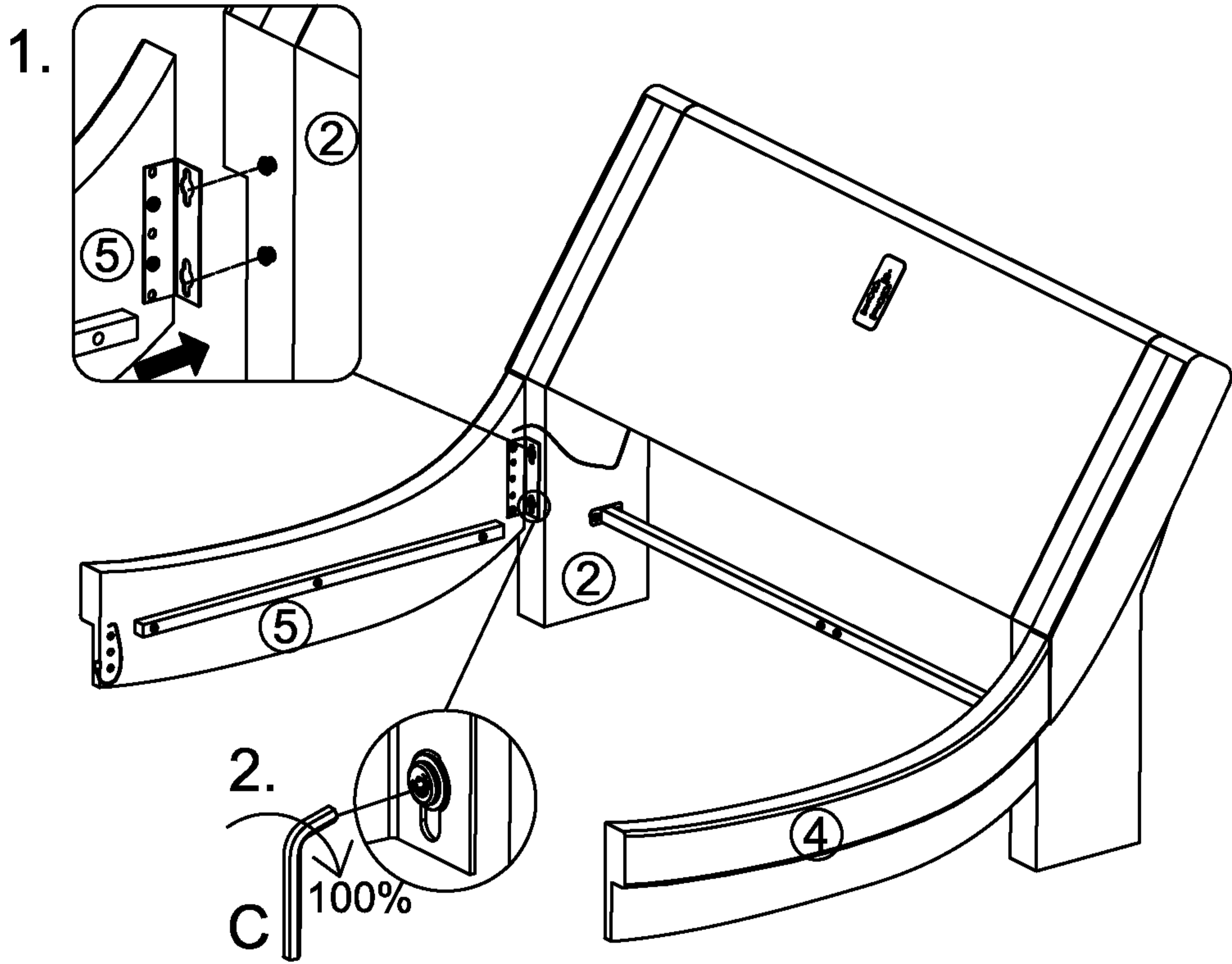
2

A	x4	C	x1
			
M8*18mm		5#	


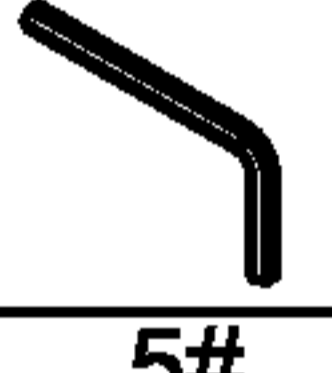


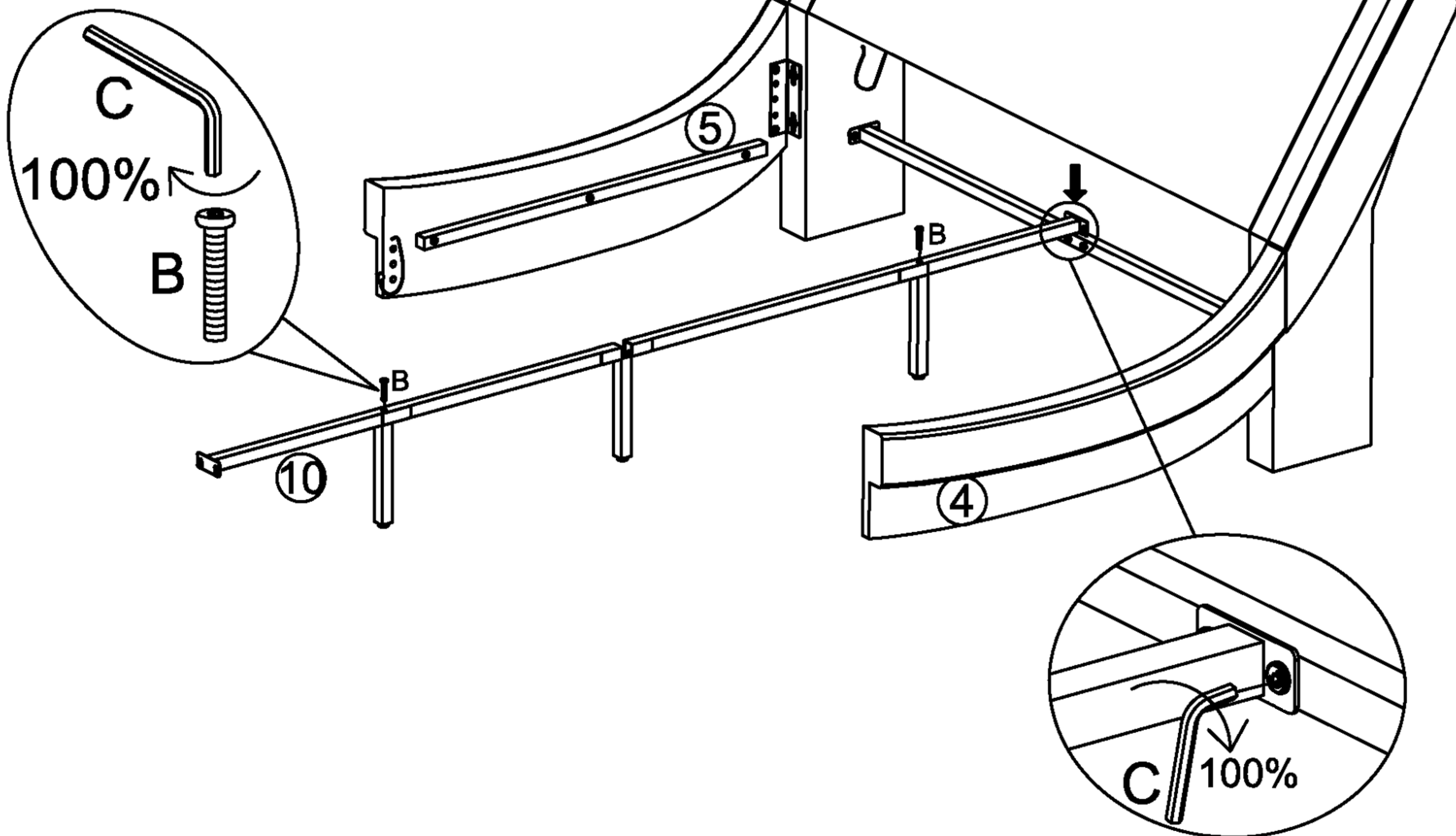
3

C	x1
	
5#	

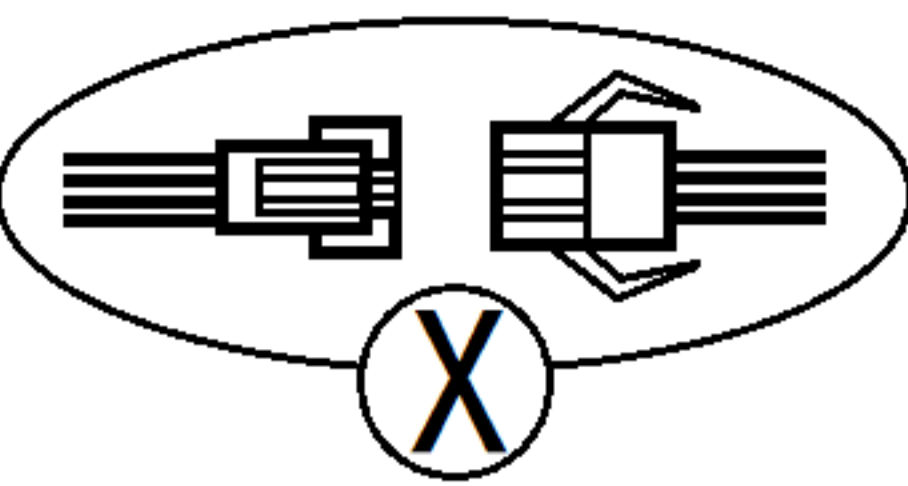
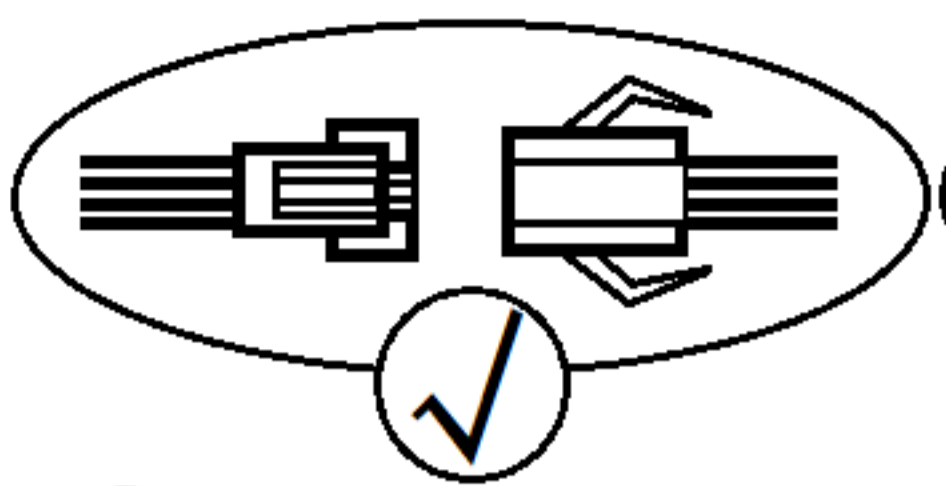


4

B	x2	C	x1
			
M8*40mm		5#	



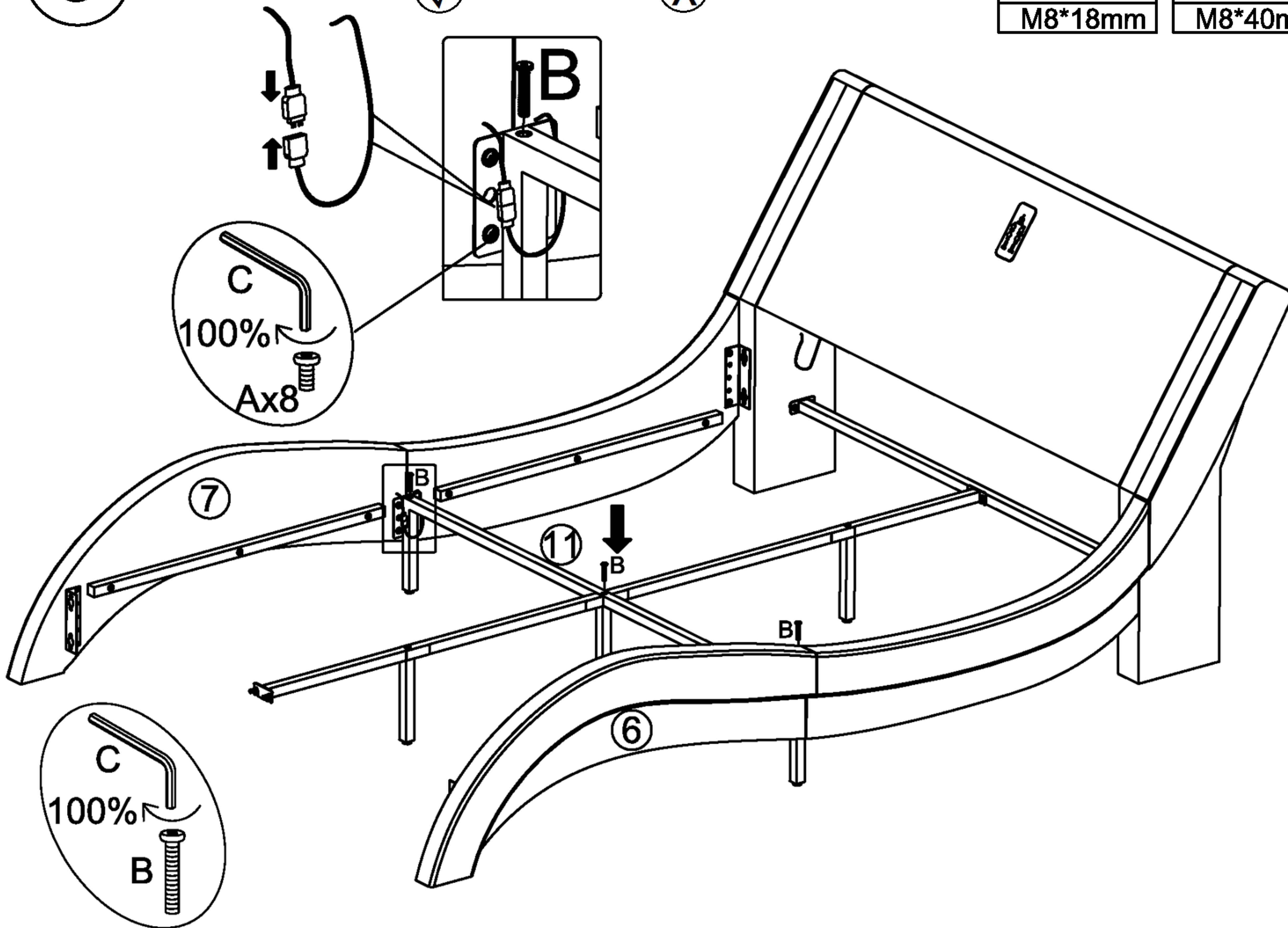
5



A	x8
M8*18mm	

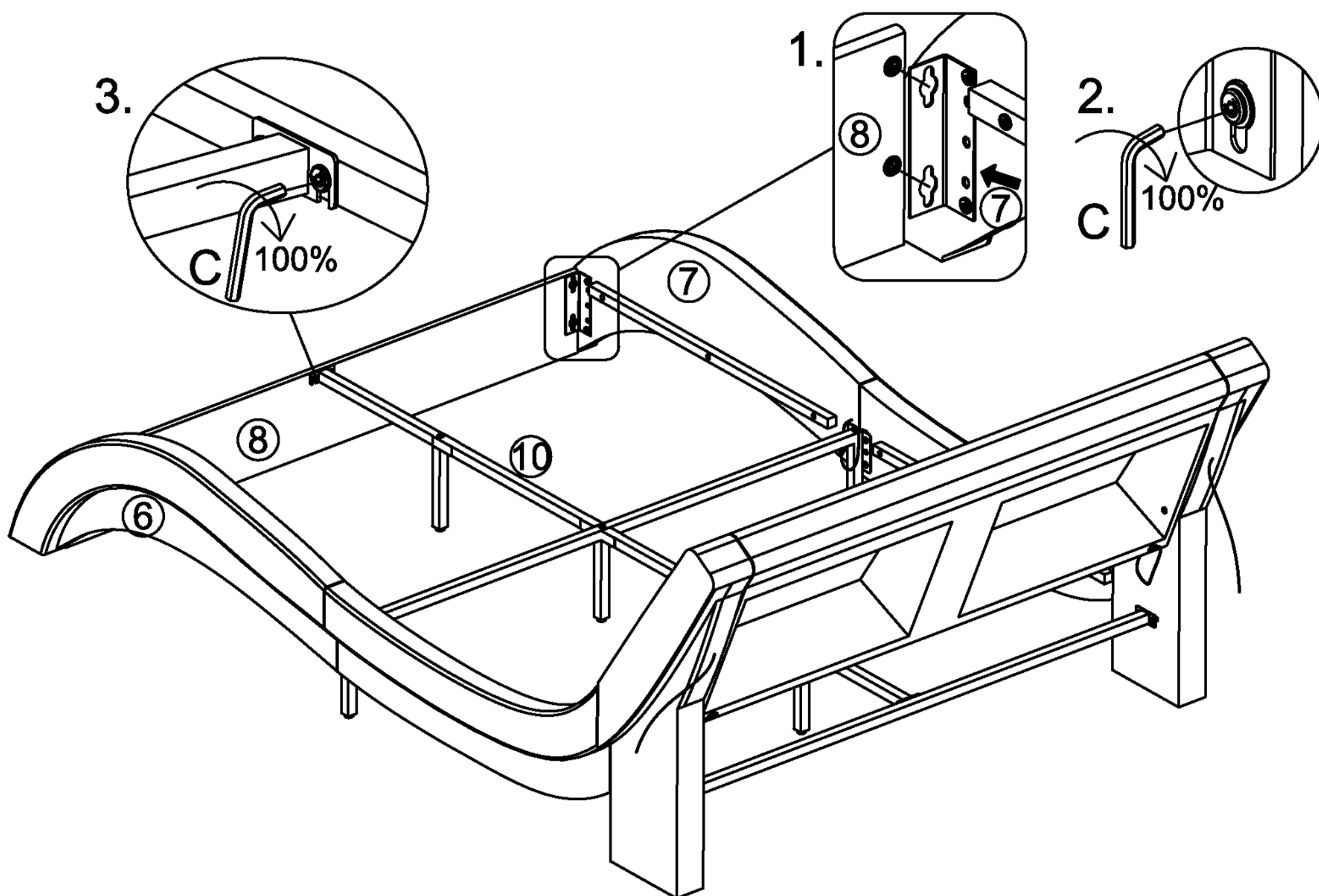
B	x3
M8*40mm	

C	x1
5#	

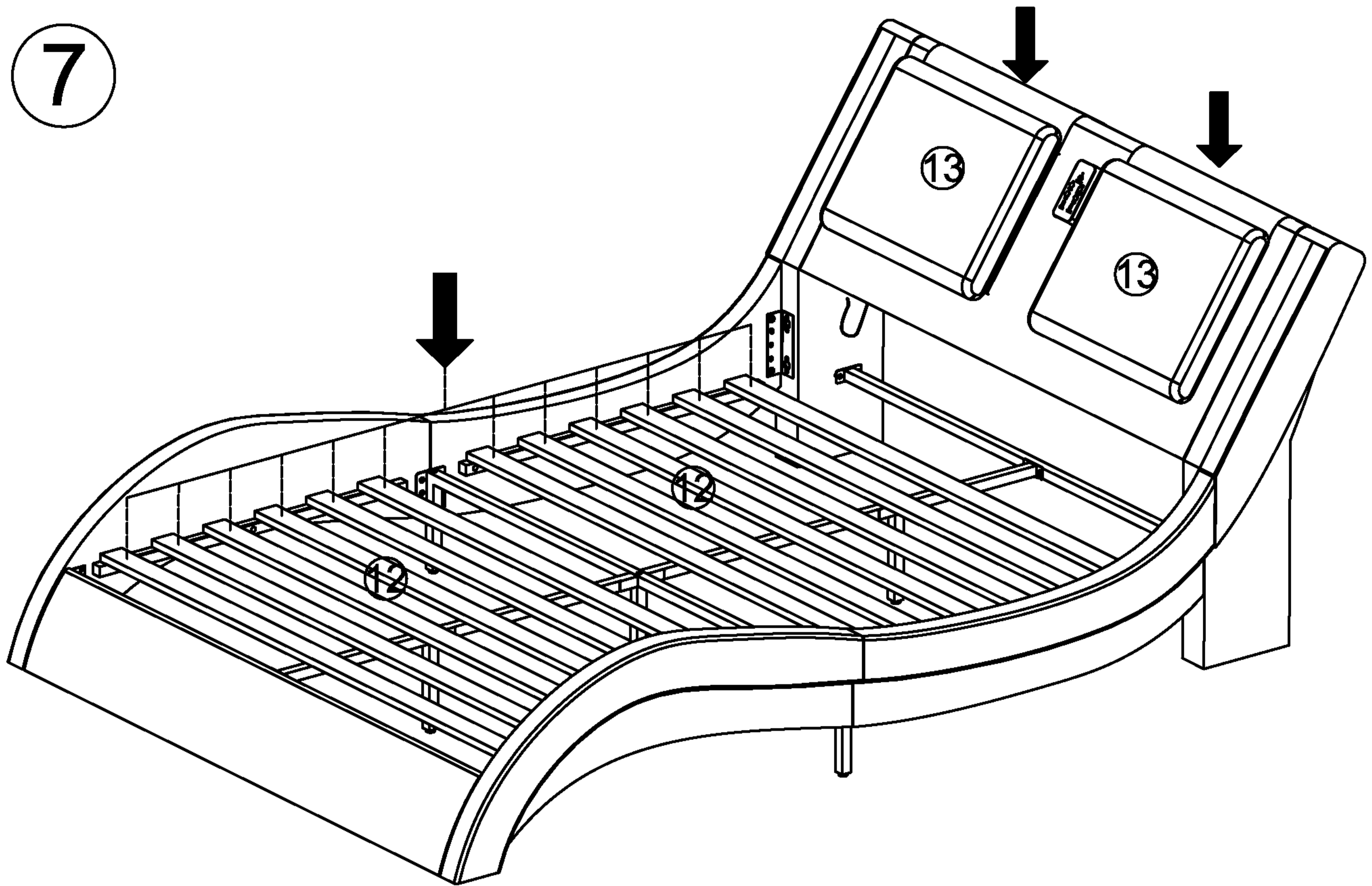


6

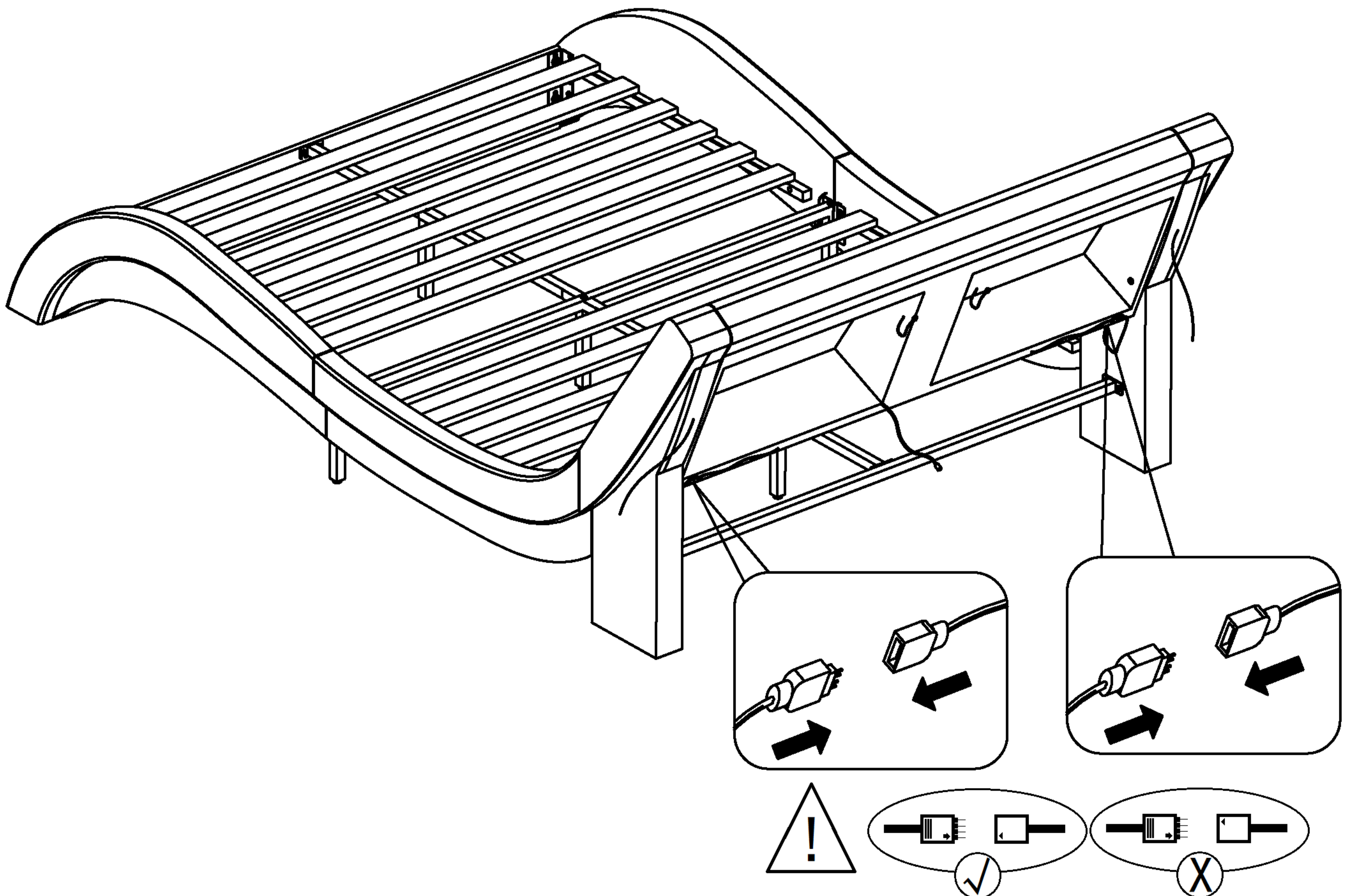
C	x1
5#	



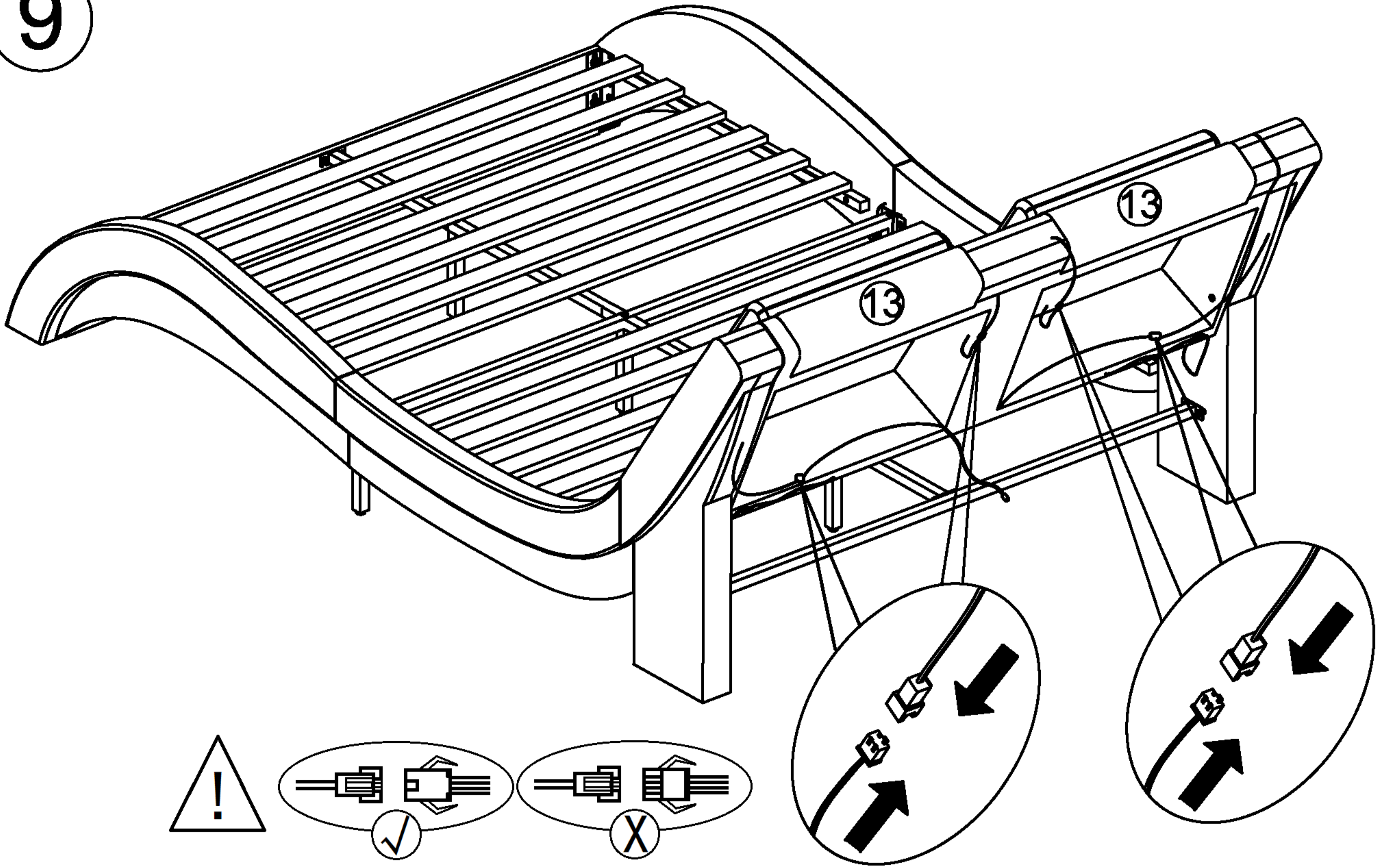
7



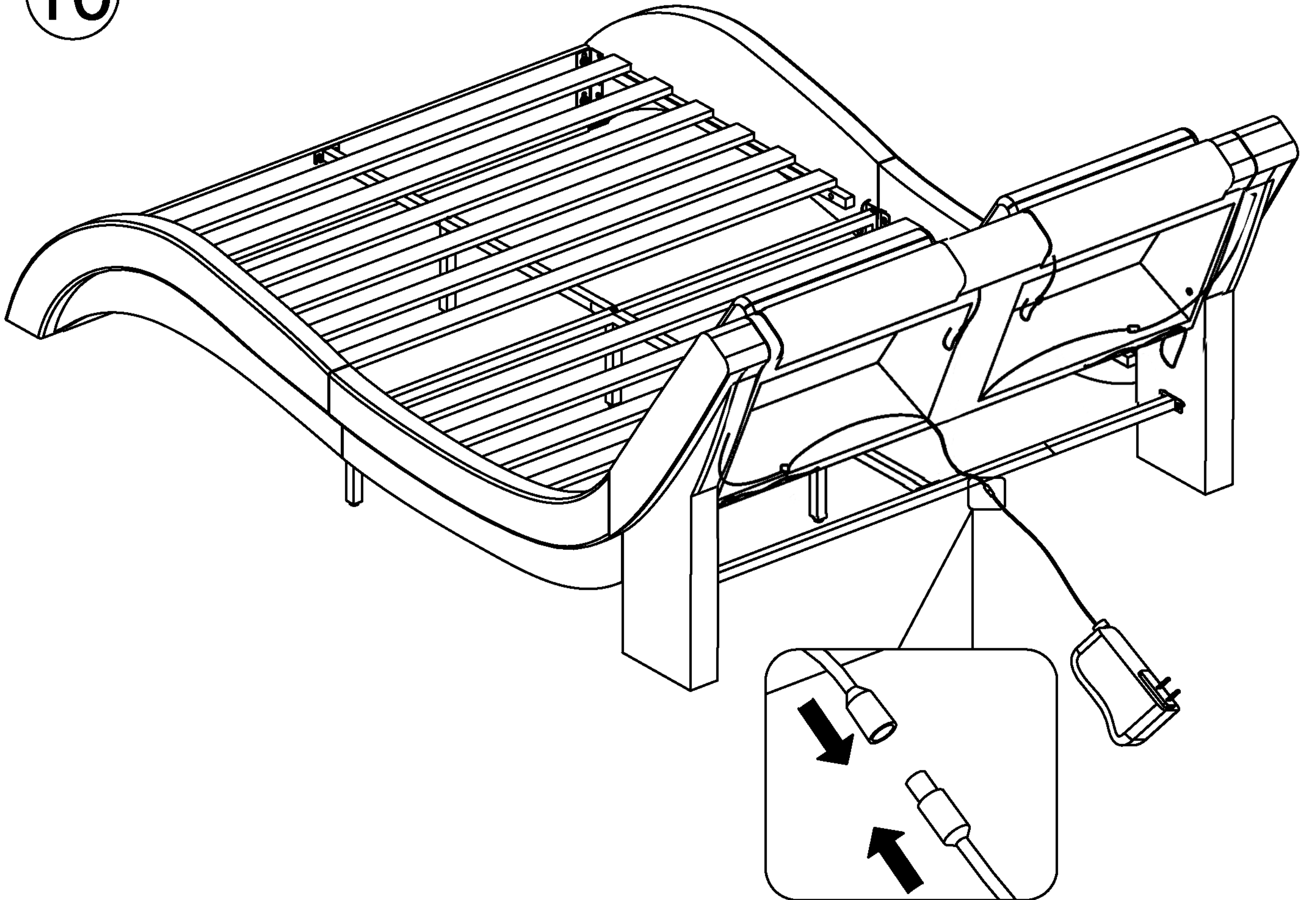
8



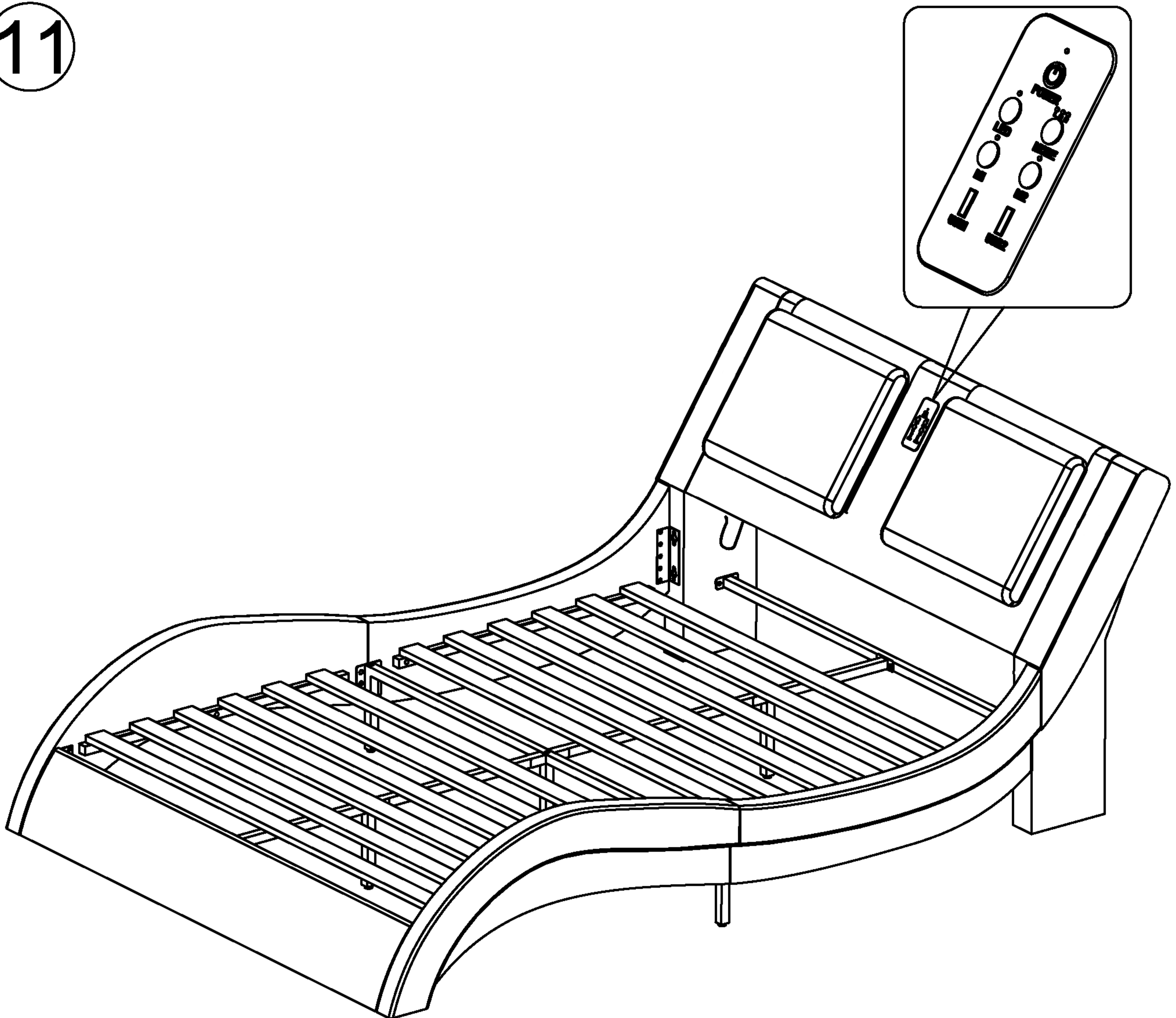
9



10



11



The product design is streamlined separable modular bed circumference, modular bed head;

External central control button panel at the head of the bed for convenient control.

Structure :(15cm + 10cm) multi-layer plate + (0.8 thickness square pipe fitting) metal frame support structure;

Product surface: PVC leather fabric +18D sponge integrated car sewing and binding process;

Function: 1) Built-in speaker power amplifier system at the head of bed, Bluetooth connection for playback;

2) Two sets of vibration motors are built on both sides of the head of the bed, and the intensity of strong, medium and weak three gear can be adjustable pulse vibration massage, 30 minutes regular massage;

3) RGB colorful atmosphere lights are installed on both sides of the bed.

4) USB charging port (2PCS) is provided.

5) Product power supply mode: DC 12V external switching power supply is adopted, which is safe, convenient and low-carbon.