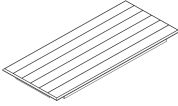
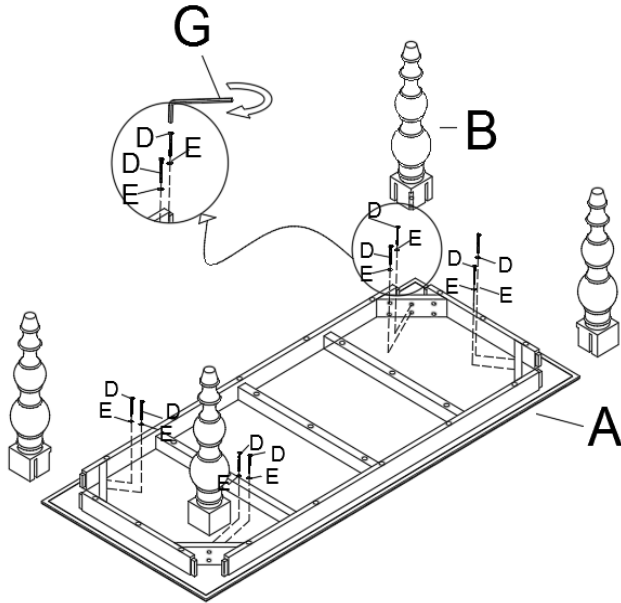
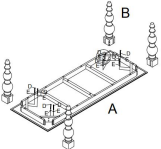
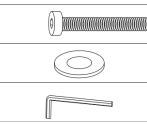


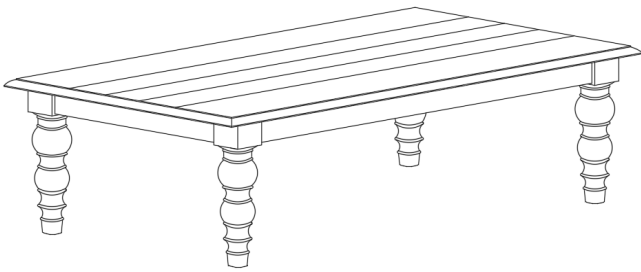
Assembly Instructions

COFFEE TABLE

Parts and Tools

A	-A		X 1	
B	-B		X 4	
C	-D E -G		X 8 X 8 X 1	

BORDEAUX COFFEE TABLE



Before Starting:

1. Choose a clean, level, spacious assembly area. Avoid hard surfaces that may damage the product.
2. Always read the instructions carefully before beginning assembly to ensure that you have all required contents.
3. To prevent choking hazards, keep the packaging material out of reach of small children
4. Do not over tighten the bolts as this may damage the thread.
5. Use only vendor supplied hardware to assemble. Using unauthorized hardware could jeopardize the structural integrity of the item.
6. The use of power tools to aid in assembly is not recommended. Power tools can damage hardware and split wood.



ASSEMBLY REQUIRES
TWO PEOPLE



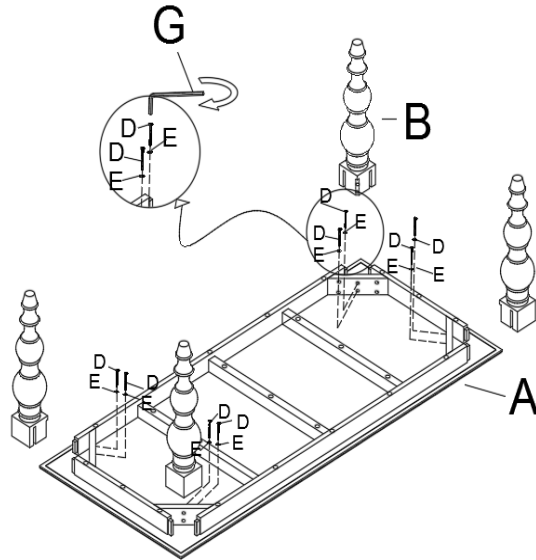
20 MINUTE
ASSEMBLY TIME



Assembly Instructions

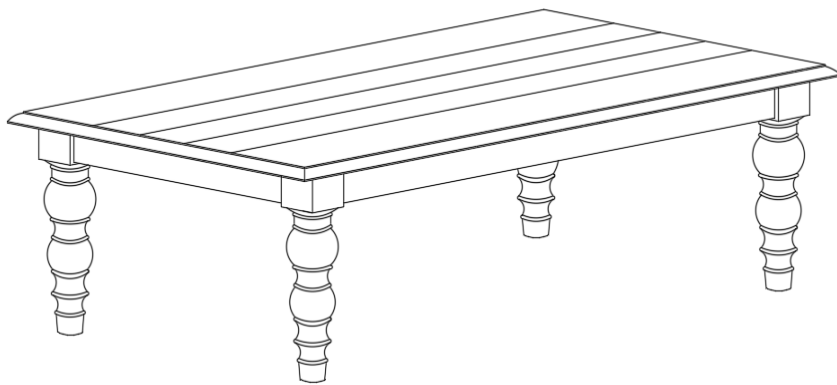
COFFEE TABLE

1



Assemble the Base (B) into Table Top (A) by using Allen Key (G) to tighten Bolts (D) and Washers (E).

2



Carefully turn the table and stand on it's leg. Item is completed.