
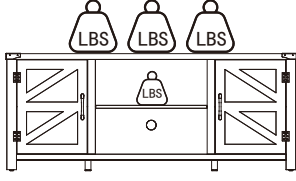




58" Barn Door Style TV Stand for up to 65" TV's

Assembly Time		60 min
Load Bearing		 200 LBS  30 LBS

ASSEMBLY INSTRUCTIONS

Before You Begin:

Please identify all component parts and hardware pieces required before you begin. Carefully remove all of the components from the packaging and set aside for assembly. Assemble on a soft surface to prevent scratching during assembly.

Caution:

Tighten all components securely before use. Failure to do so may result in personal injury.

DO NOT use any sharp objects to open plastic wrapped components as damage to product or components may result.

Warning:

CHOKING HAZARD - Small Parts. Adult Assembly Required.

DO NOT ALLOW CHILDREN TO CLIMB ON FURNITURE

Serious or fatal injuries can occur from furniture tipping over. You must install Tipping Restraint Hardware (where included) to help prevent the unit from tipping and causing accidental injury, instability, death or damage. The tipping restraint is intended only as a safety measure, it is not a substitute for proper adult supervision.

To help prevent furniture from tipping over it must be permanently attached to the wall. Anti-Tip Safety Wall Straps suitable for the unit weight and wall materials (if not included) should be purchased and installed.



Have a Question/Concern?

Quality products and first-class customer service are the cornerstone of long-lasting consumer relationships. We strive toward excellence in all we do and want you to be completely satisfied with your purchase. Please contact our exceptional Customer Experience Agents at the email address or phone number shown below to assist you with any product questions or issues before requesting a return. We look forward to serving you in a friendly, efficient manner to resolve any issues you may have.

Our Warranty Statement

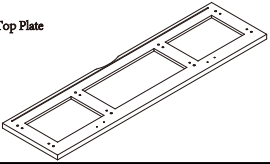
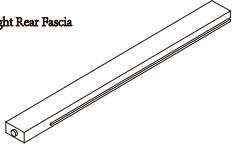
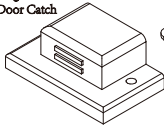
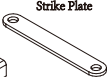
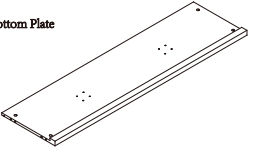
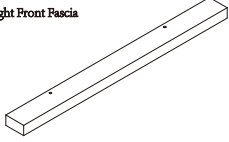
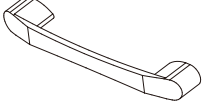
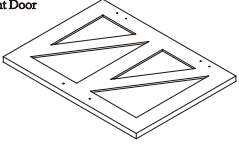
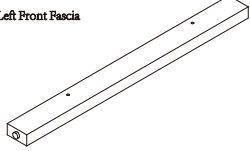

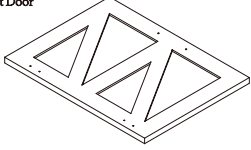
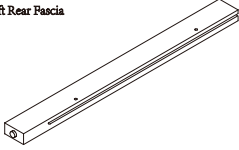
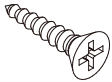
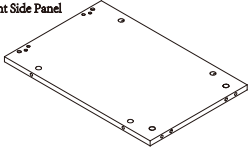
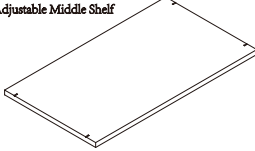
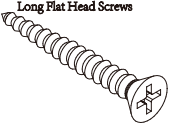
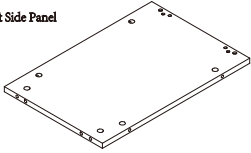
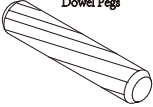
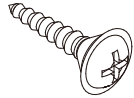
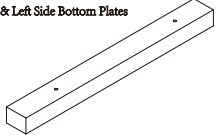
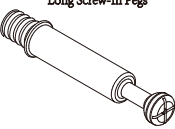
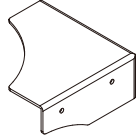
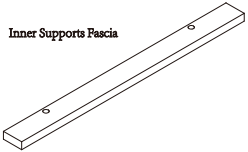
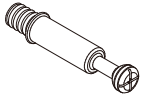
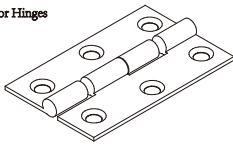
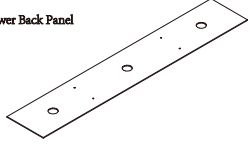
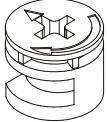
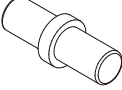
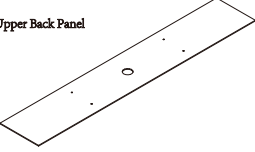

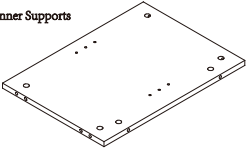
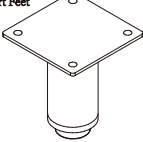
This warranty covers manufacturing defects associated with your new product. The product is warranted from the original purchase date and to the original purchaser for normal usage, according to the below-referenced specifications and limitations.

- Non-moving metal parts are warranted for 5 years.
- Component parts including pneumatic cylinder, control mechanism, base and casters are warranted for 2 years.
- All other items are warranted for 1 year.

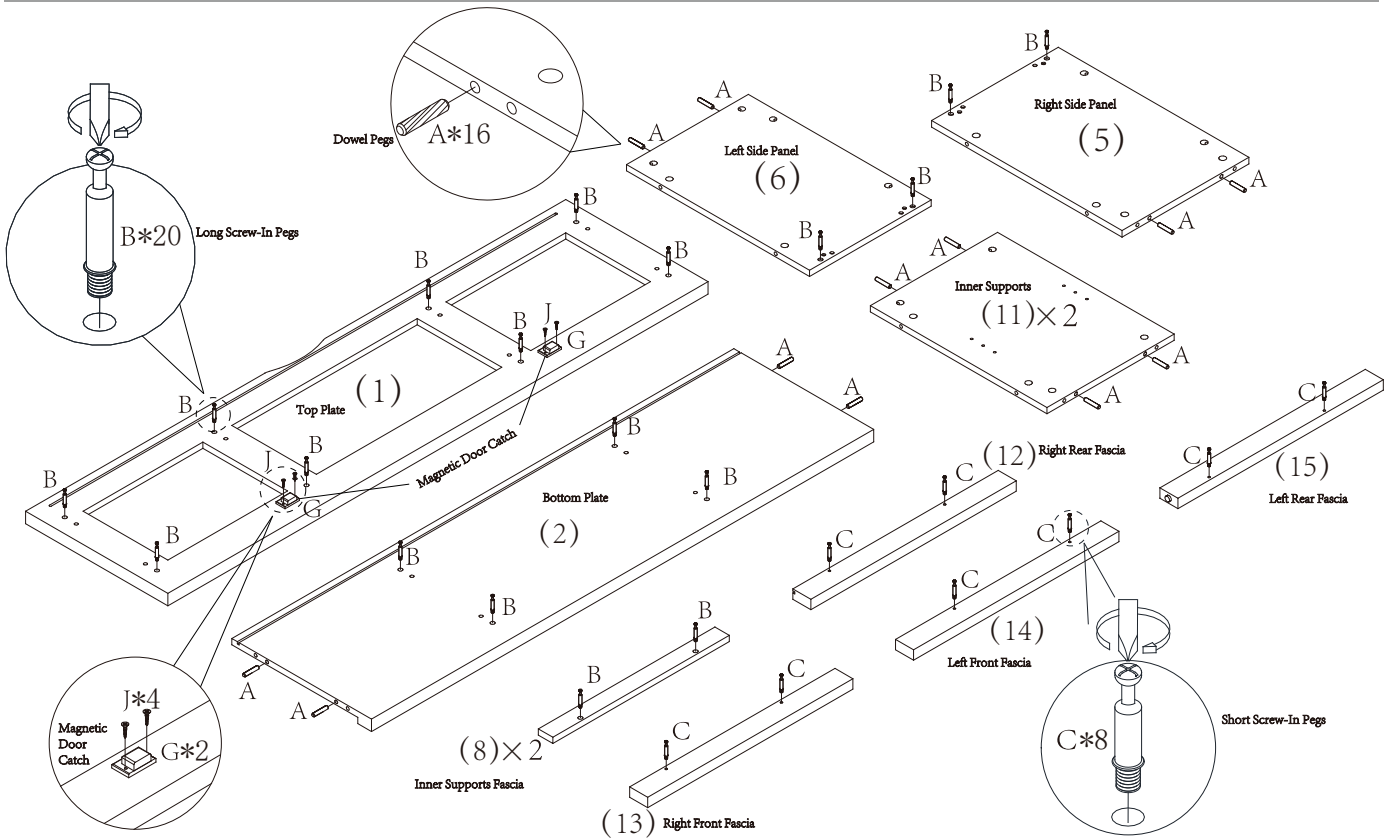
Normal usage means use in compliance with the restrictions and weight limits specified for the product. In the absence of product-specific restrictions and weight limits, normal usage means use for no more than forty hours per week by persons weighing 250 lbs. or less. Coverage terminates if the product is sold or otherwise transferred. Repairs made by parties other than Belnick also void this warranty.

This warranty will not cover: (1) labor, freight, or damage from misuse, abuse, negligence, alteration, assembly, installation, attachments, accident, vandalism, acts of nature or any other event beyond the control of Belnick; (2) tearing, scratching, scuffing, or blemishing of leather or fabric; (3) cosmetic damage that may result from normal usage; (4) damage attributable to use by persons exceeding specified weight limits or commercial use exceeding forty hours per week; or (5) rust or other damage caused by exposure to moisture. The user assumes all risk of injury resulting from use of this product. Liability for incidental or consequential damage is excluded. Some states do not allow the exclusion or limitation of incidental or consequential damages, so the above limitation or exclusion may not apply to you.

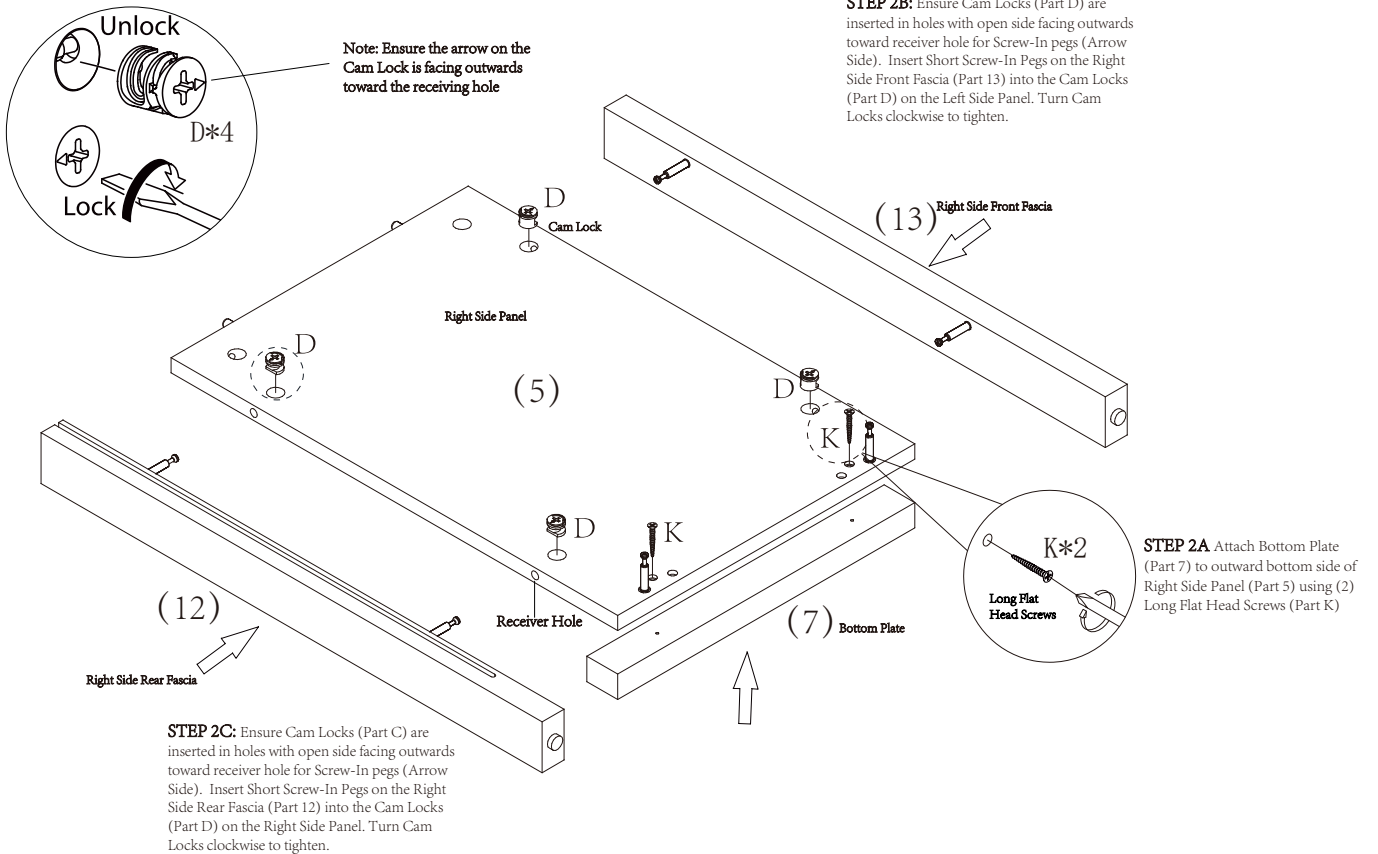
PARTS

(1)	Top Plate 	1	(12)	Right Rear Fascia 	1	G	Magnetic Door Catch  Strike Plate 	2
(2)	Bottom Plate 	1	(13)	Right Front Fascia 	1	H	Door Handles 	2
(3)	Right Door 	1	(14)	Left Front Fascia 	1	I	Door Handle Screws 	4
(4)	Left Door 	1	(15)	Left Rear Fascia 	1	J	Short Flat Head Screws 	16+1
(5)	Right Side Panel 	1	(16)	Adjustable Middle Shelf 	1	K	Long Flat Head Screws 	12+1
(6)	Left Side Panel 	1	A	Dowel Pegs 	16+1	L	Self-Tapping Dome Head Screw 	32+1
(7)	Right & Left Side Bottom Plates 	2	B	Long Screw-In Pegs 	20+1	M	Front Corner Brackets 	2
(8)	Inner Supports Fascia 	2	C	Short Screw-In Pegs 	8+1	N	Door Hinges 	4
(9)	Lower Back Panel 	1	D	Cam Lock 	28+1	O	Shelf Pegs 	4+1
(10)	Upper Back Panel 	1	E	Cam Lock Cover 	28+1			
(11)	Inner Supports 	2	F	Bottom Support Feet 	2			

STEP 1

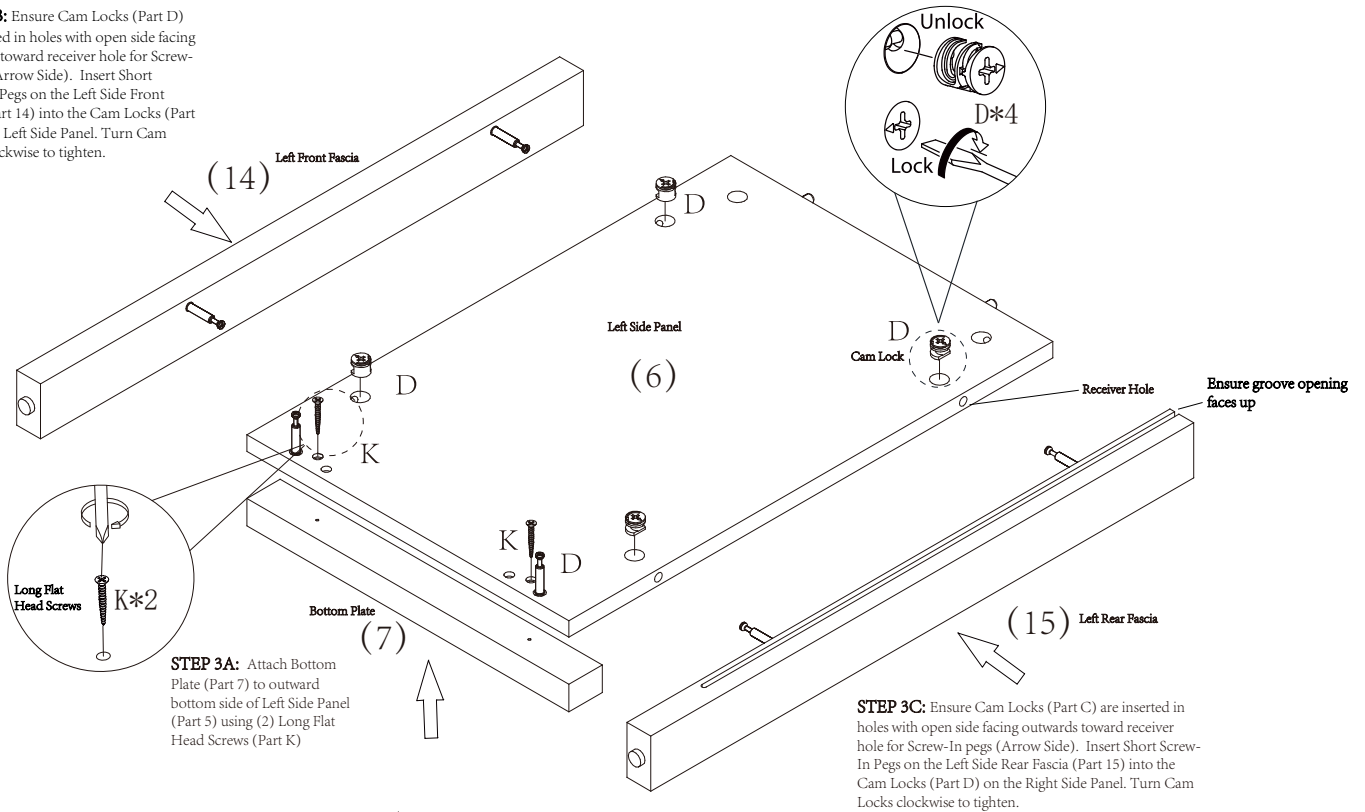


STEP 2

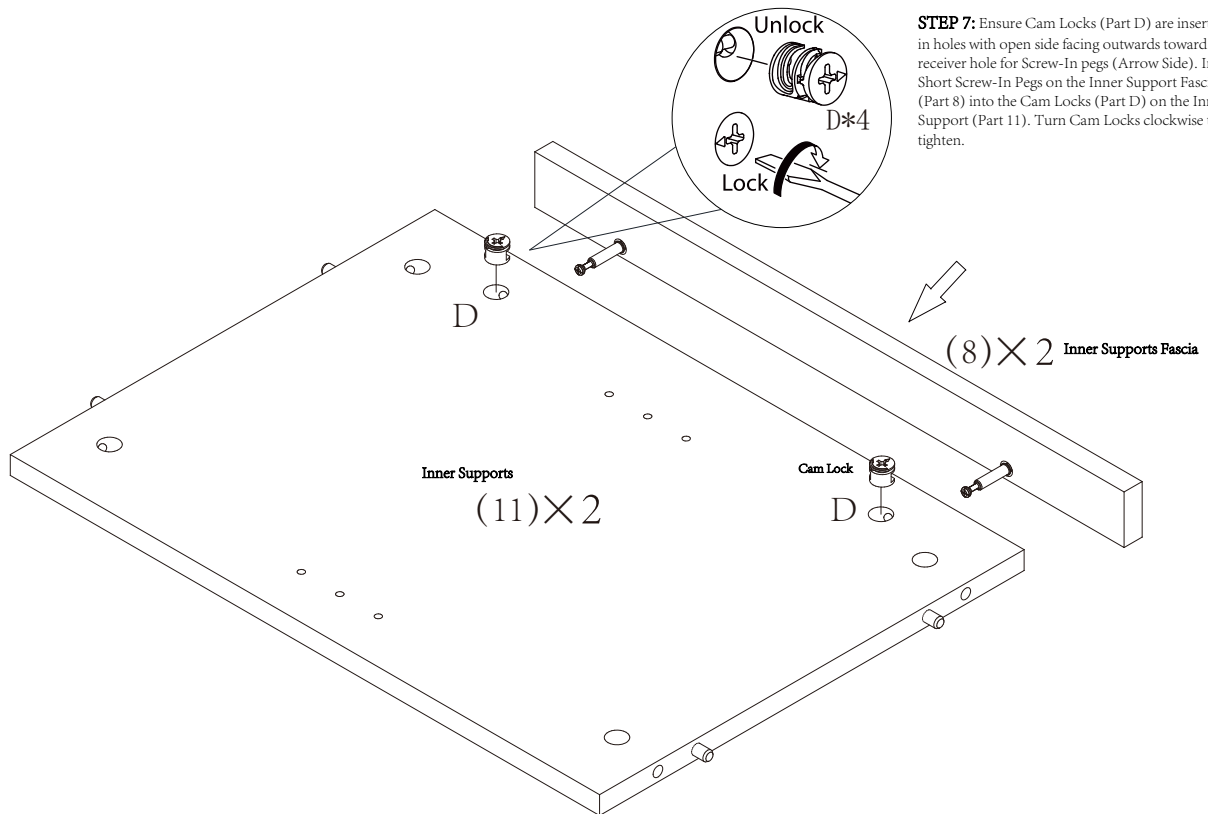


STEP 3

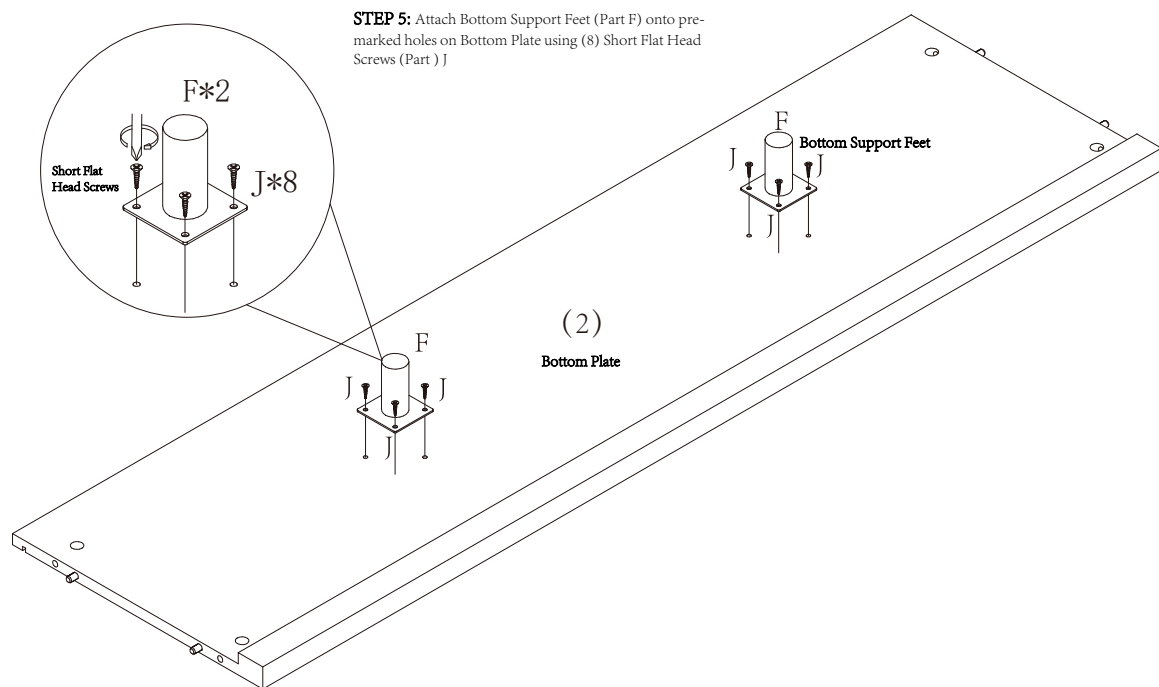
STEP 3B: Ensure Cam Locks (Part D) are inserted in holes with open side facing outwards toward receiver hole for Screw-In pegs (Arrow Side). Insert Short Screw-In Pegs on the Left Side Front Fascia (Part 14) into the Cam Locks (Part D) on the Left Side Panel. Turn Cam Locks clockwise to tighten.



STEP 4



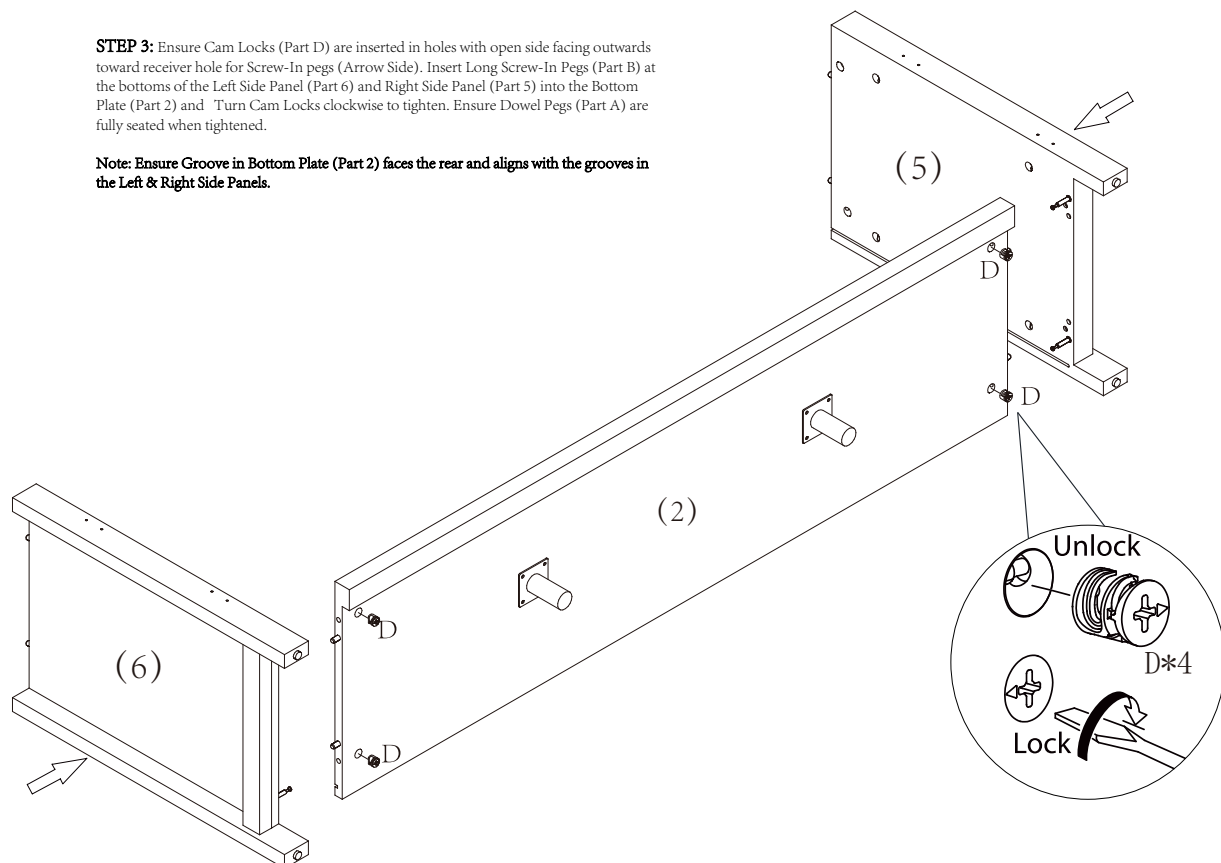
STEP 5



STEP 6

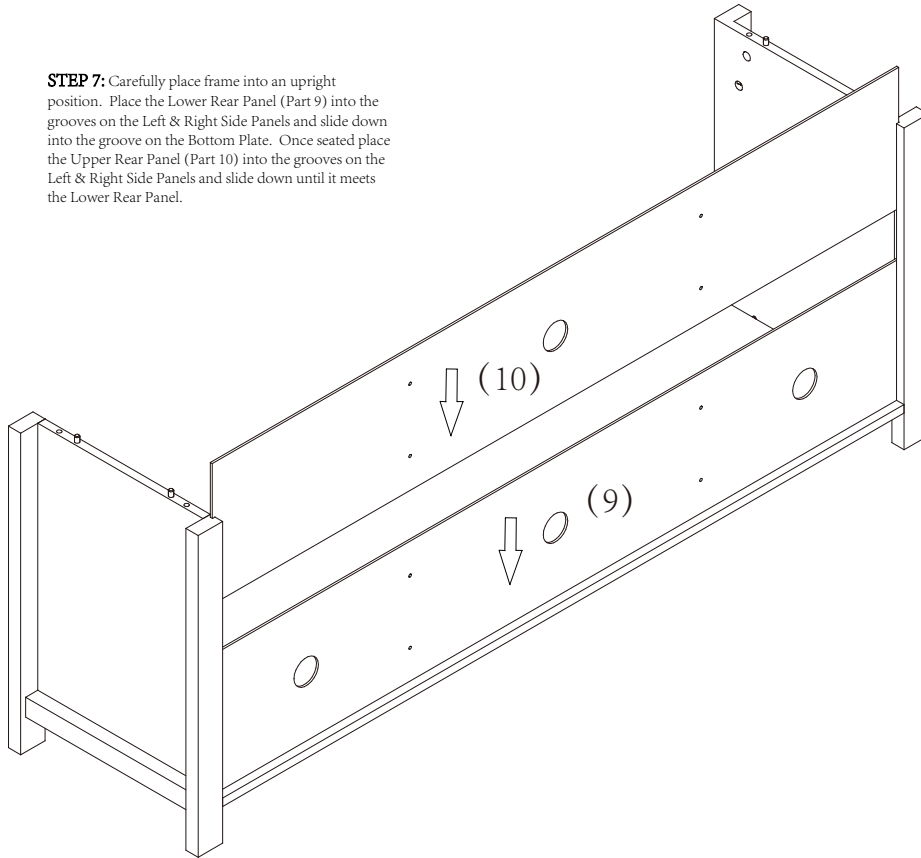
STEP 3: Ensure Cam Locks (Part D) are inserted in holes with open side facing outwards toward receiver hole for Screw-In pegs (Arrow Side). Insert Long Screw-In Pegs (Part B) at the bottoms of the Left Side Panel (Part 6) and Right Side Panel (Part 5) into the Bottom Plate (Part 2) and Turn Cam Locks clockwise to tighten. Ensure Dowel Pegs (Part A) are fully seated when tightened.

Note: Ensure Groove in Bottom Plate (Part 2) faces the rear and aligns with the grooves in the Left & Right Side Panels.



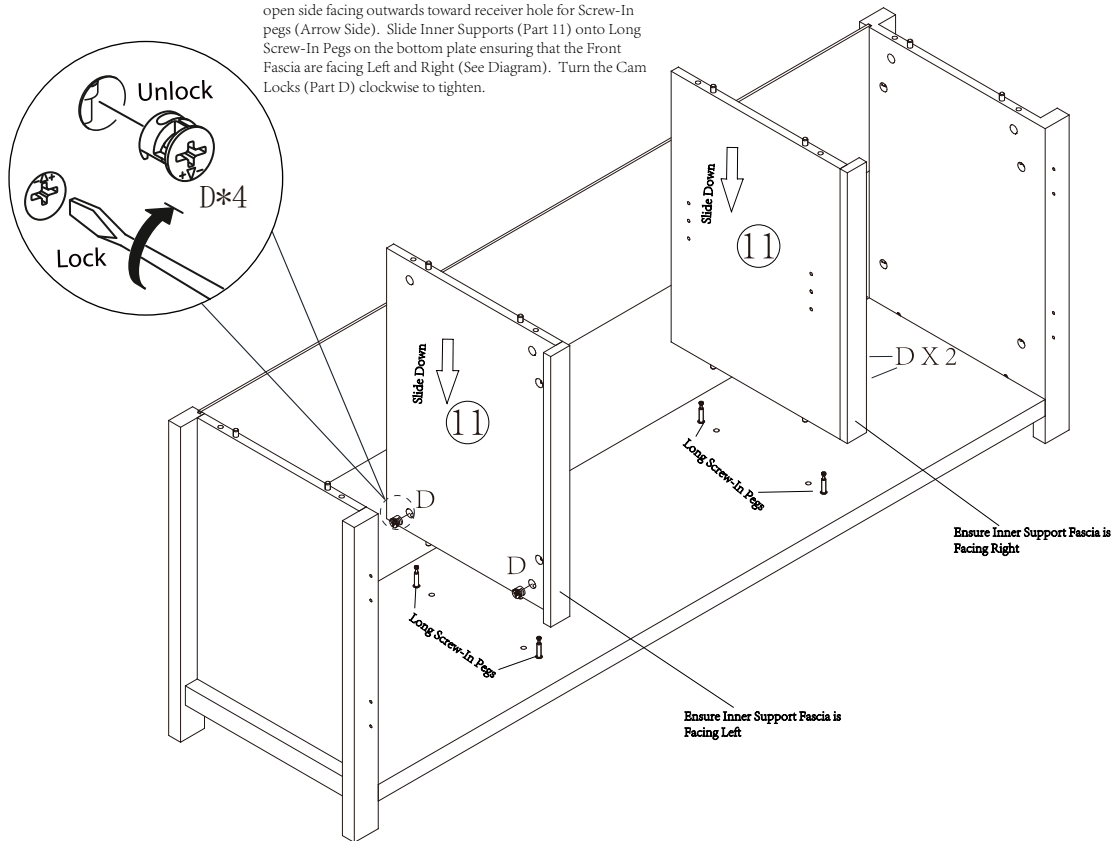
STEP 7

STEP 7: Carefully place frame into an upright position. Place the Lower Rear Panel (Part 9) into the grooves on the Left & Right Side Panels and slide down into the groove on the Bottom Plate. Once seated place the Upper Rear Panel (Part 10) into the grooves on the Left & Right Side Panels and slide down until it meets the Lower Rear Panel.



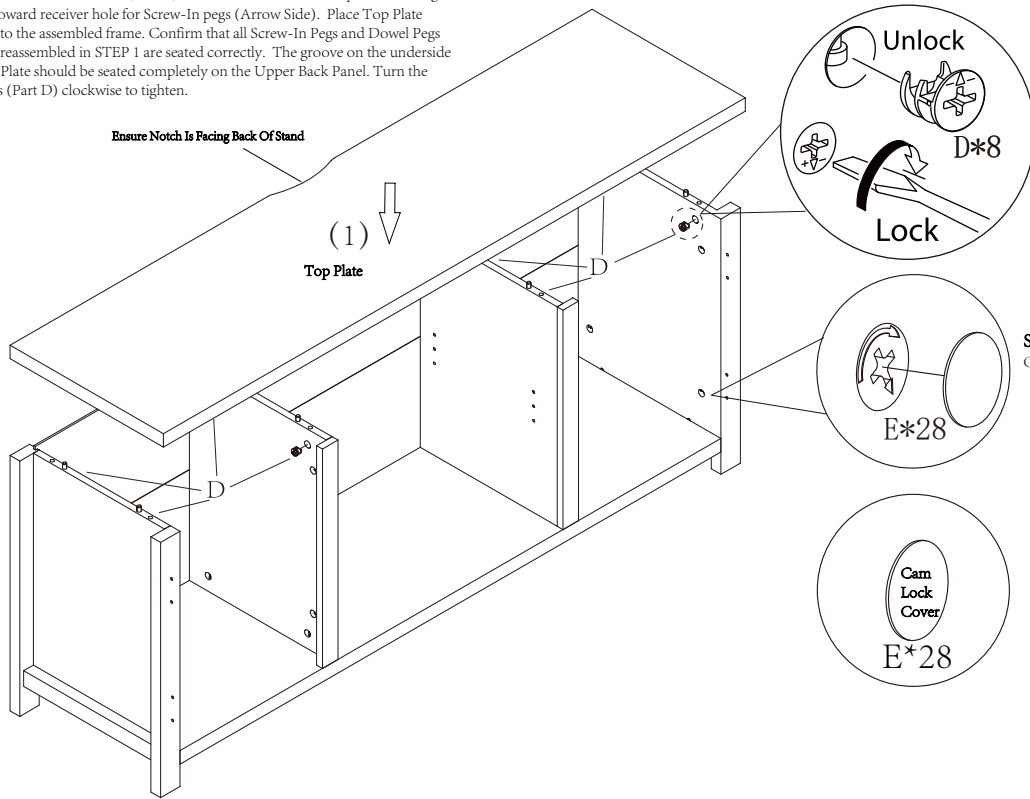
STEP 8

STEP 8: Ensure Cam Locks (Part D) are inserted in holes with open side facing outwards toward receiver hole for Screw-In pegs (Arrow Side). Slide Inner Supports (Part 11) onto Long Screw-In Pegs on the bottom plate ensuring that the Front Fascia are facing Left and Right (See Diagram). Turn the Cam Locks (Part D) clockwise to tighten.



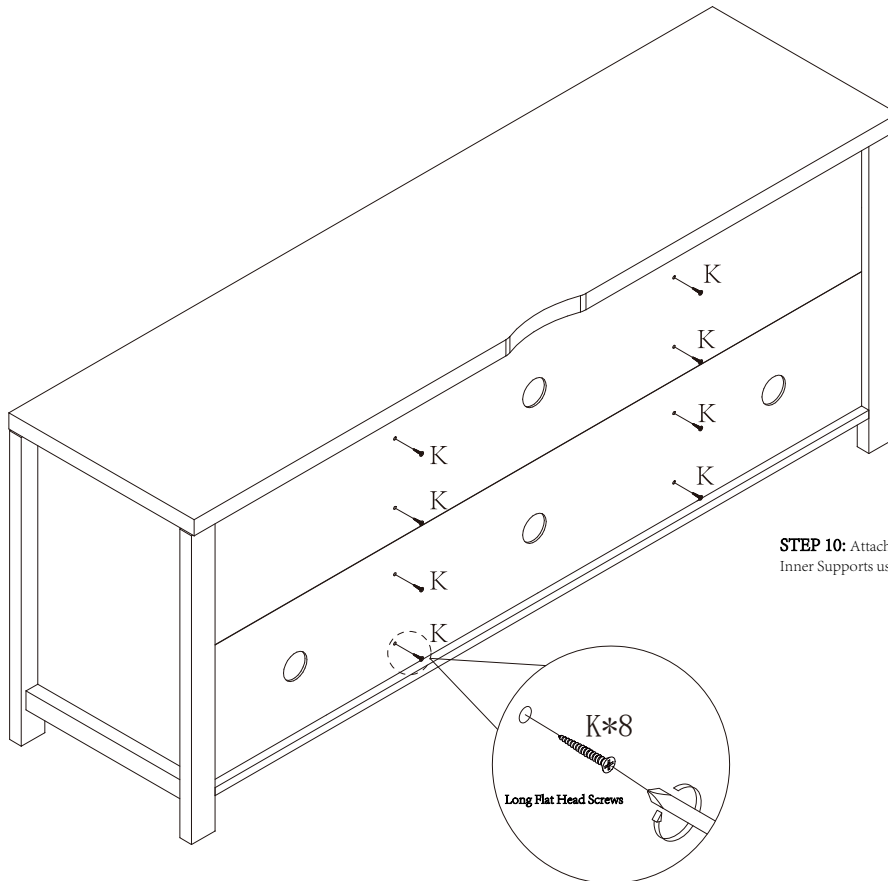
STEP 9

STEP 9A: Ensure Cam Locks (Part C) are inserted in holes with open side facing outwards toward receiver hole for Screw-In pegs (Arrow Side). Place Top Plate (Part 1) onto the assembled frame. Confirm that all Screw-In Pegs and Dowel Pegs that were preassembled in STEP 1 are seated correctly. The groove on the underside of the Top Plate should be seated completely on the Upper Back Panel. Turn the Cam Locks (Part D) clockwise to tighten.



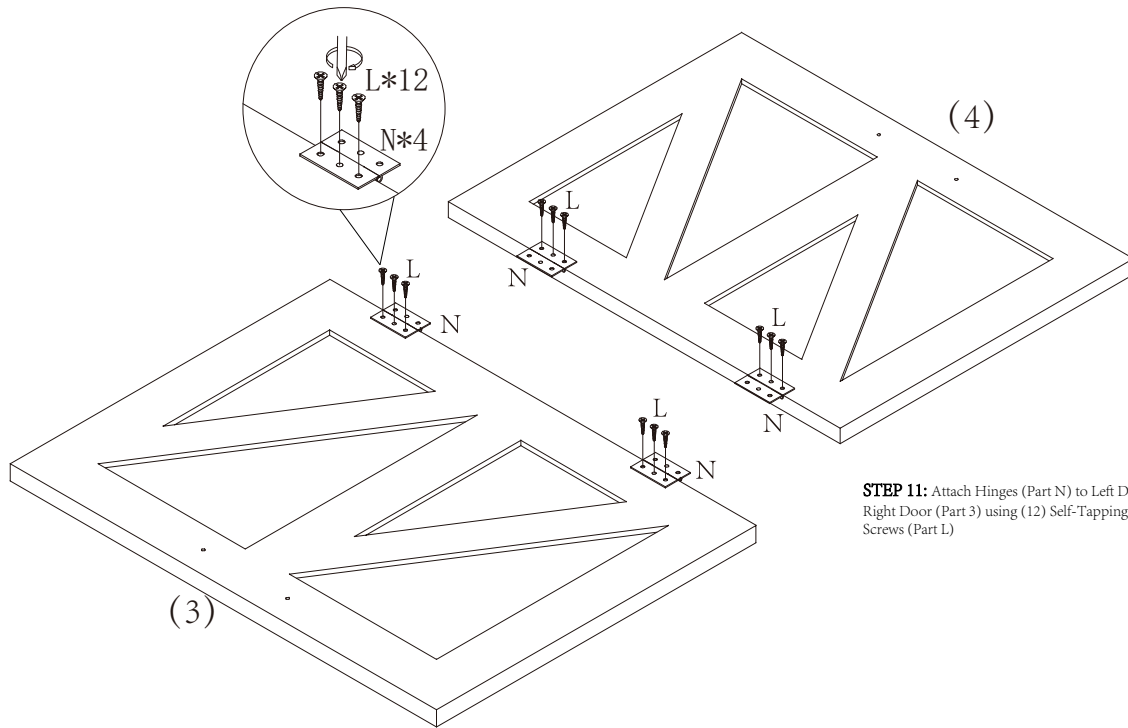
STEP 9B: Cover all Cam Locks with Cam Lock Covers (Part E)

STEP 10



STEP 10: Attach Upper and Lower Back Panels to the Inner Supports using (8) Long Flat Head Screws

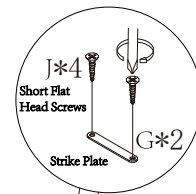
STEP 11



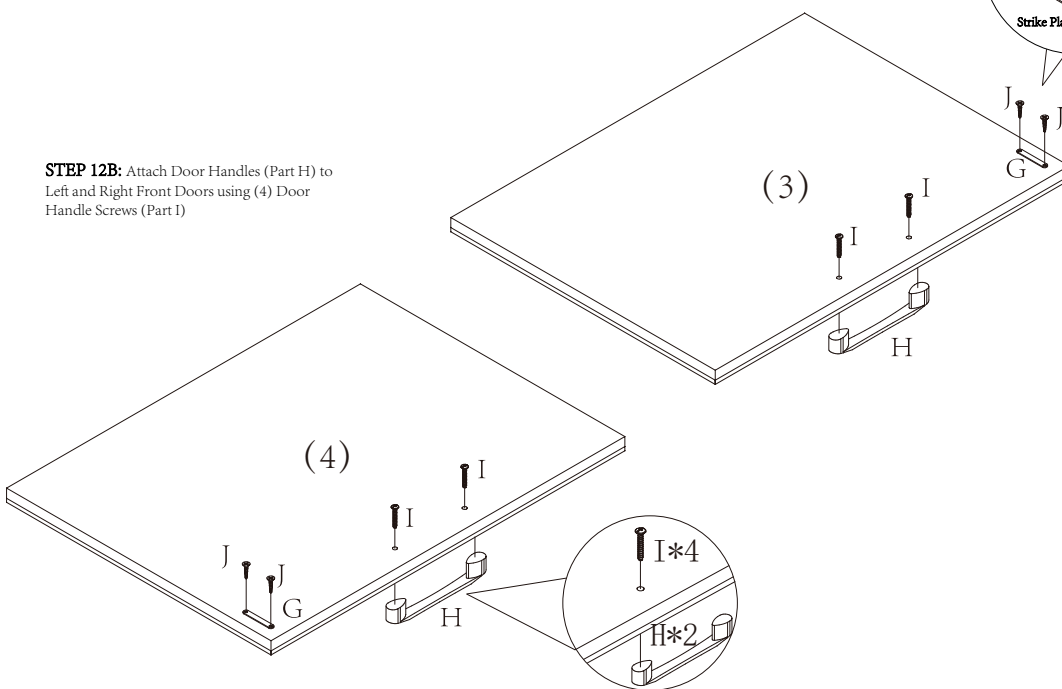
STEP 11: Attach Hinges (Part N) to Left Door (Part 4) and Right Door (Part 3) using (12) Self-Tapping Dome Head Screws (Part L)

STEP 12

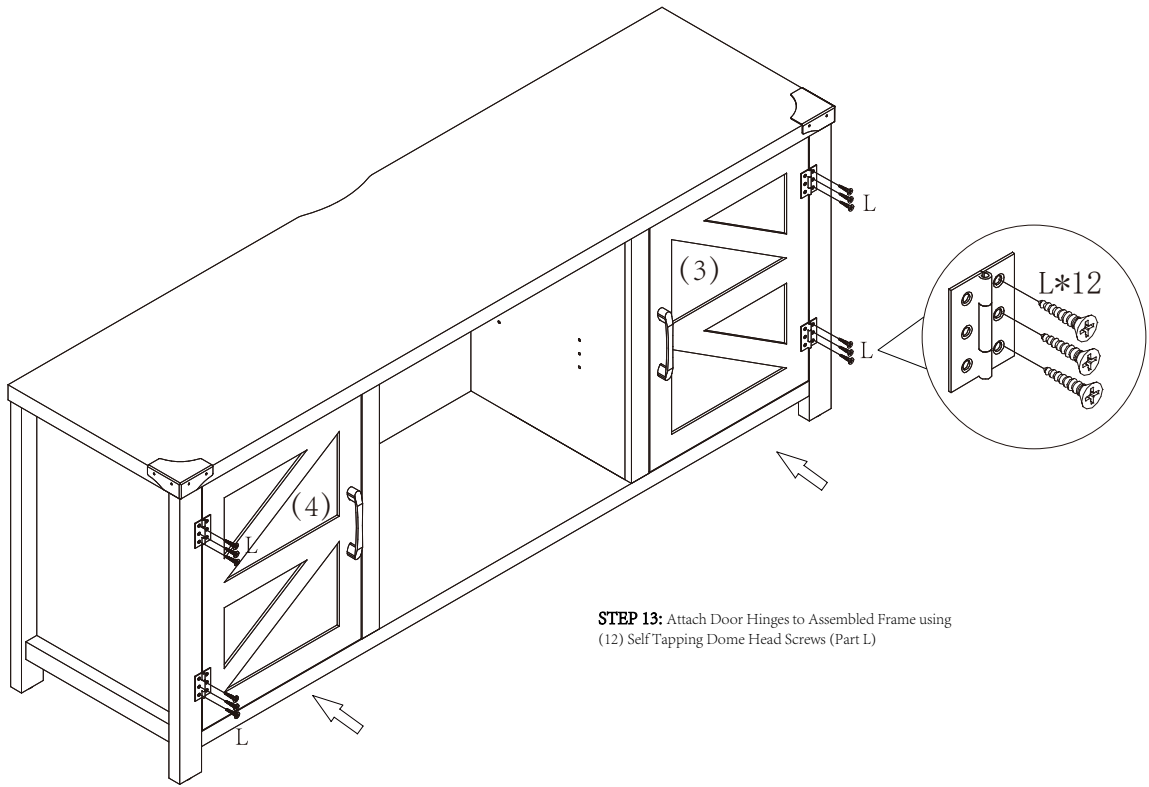
STEP 12A: Attach Strike Plates (Part G) to the Left and Right Doors using (4) Short Flat Head Screws (Part J)



STEP 12B: Attach Door Handles (Part H) to Left and Right Front Doors using (4) Door Handle Screws (Part I)



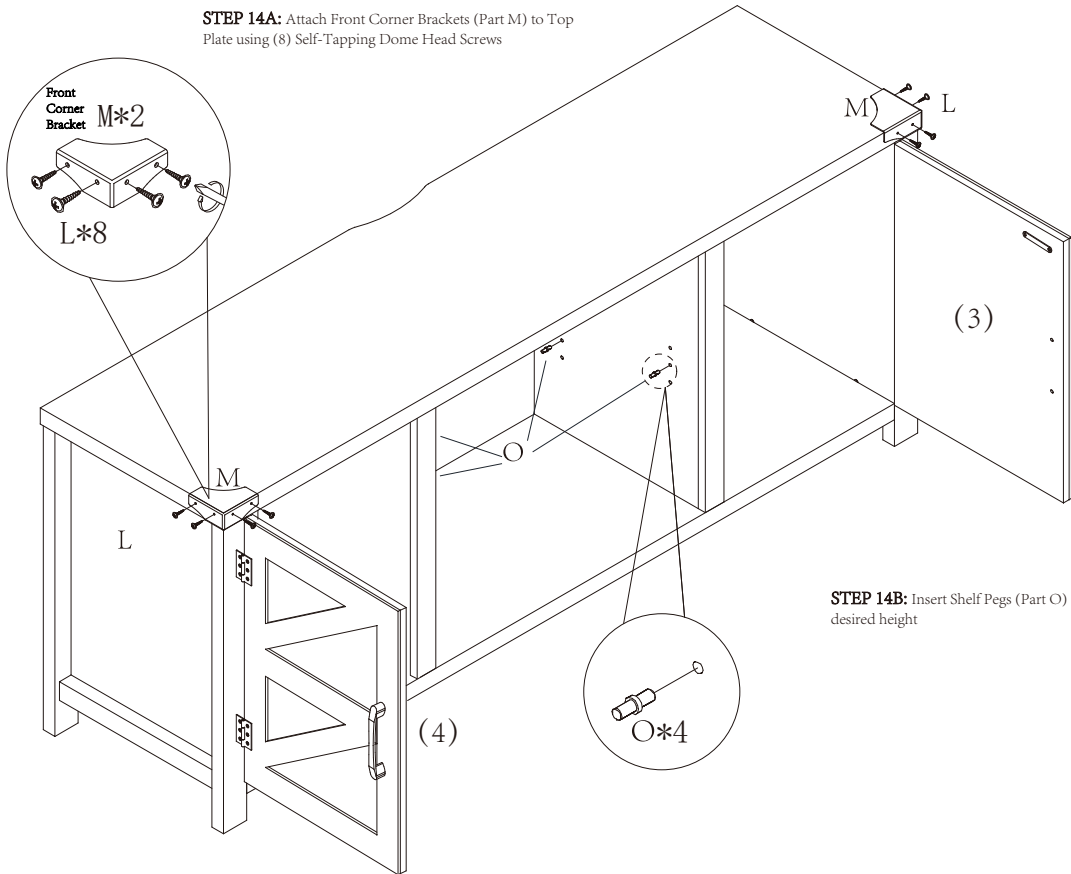
STEP 13



STEP 13: Attach Door Hinges to Assembled Frame using (12) Self Tapping Dome Head Screws (Part L)

STEP 14

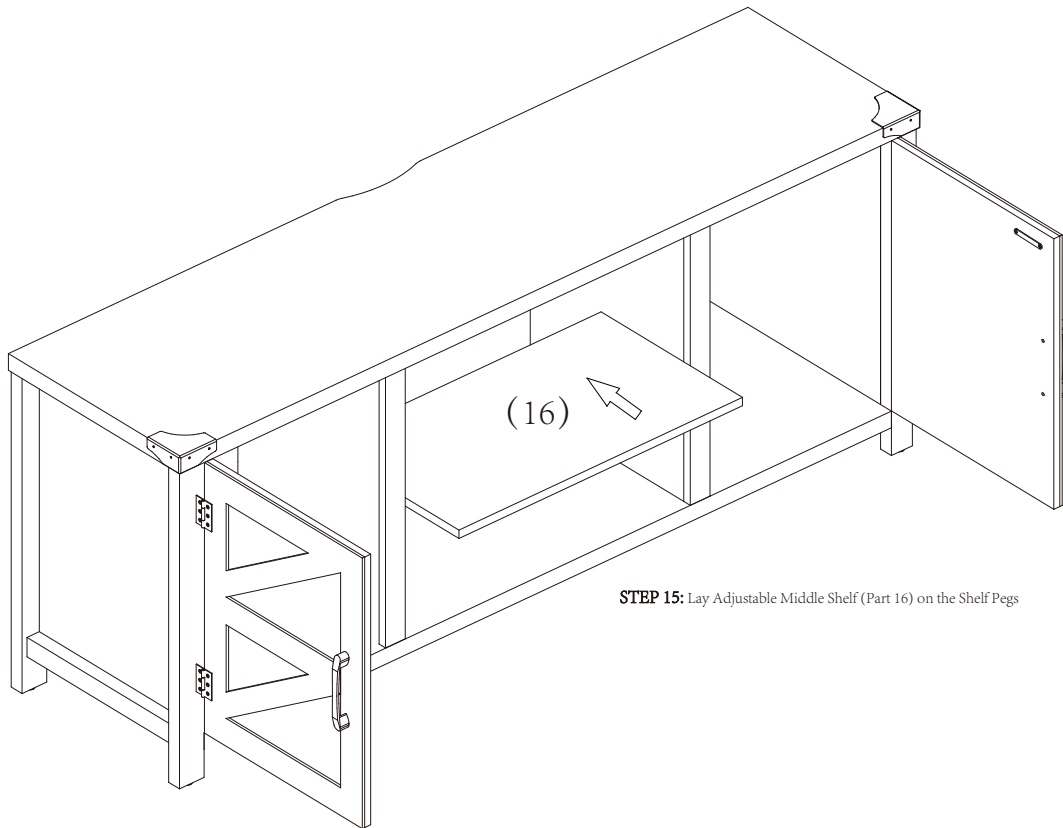
STEP 14A: Attach Front Corner Brackets (Part M) to Top Plate using (8) Self-Tapping Dome Head Screws



STEP 14B: Insert Shelf Pegs (Part O) in the holes at your desired height



STEP 15



STEP 16

