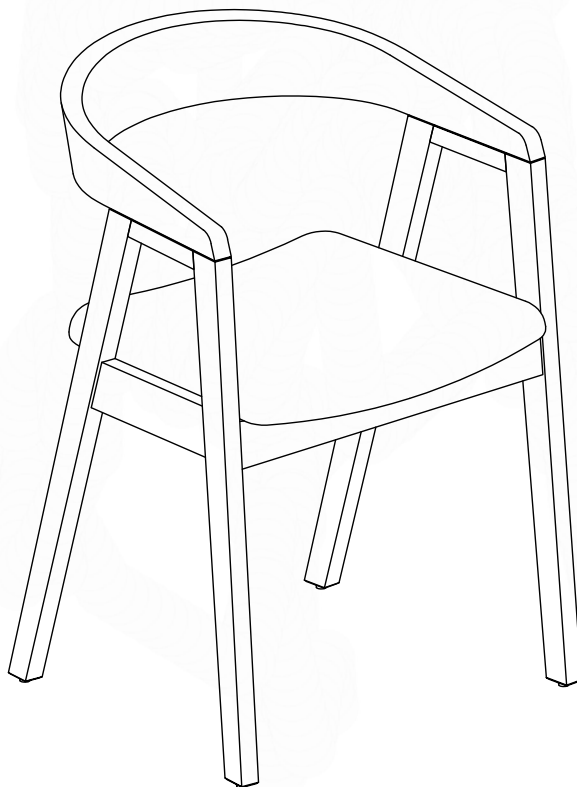


# Instruction Manual

## Carver Chair Set of 2



# CONTENTS

---

Safety and care advice	3
Components	4
Assembly instructions	6
Copyright	11



# SAFETY AND CARE ADVICE



PLEASE READ THESE INSTRUCTIONS CAREFULLY AND KEEP FOR FUTURE REFERENCE

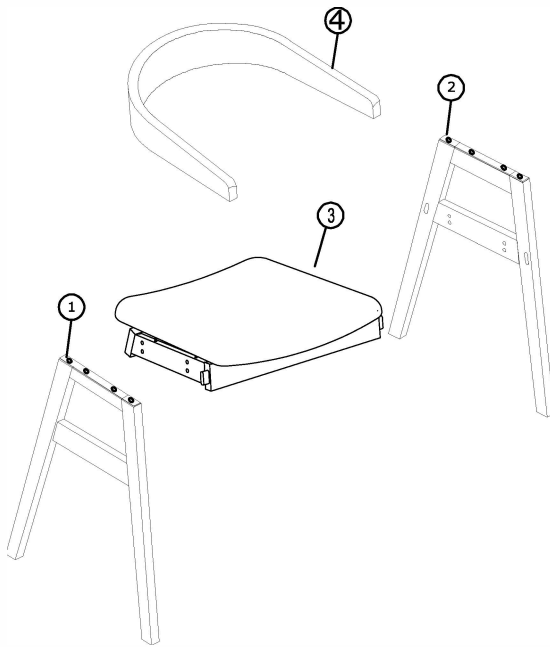
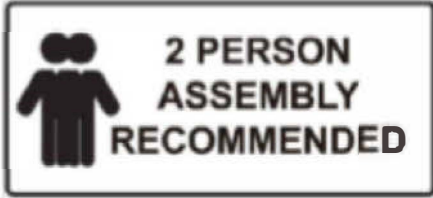
- Warning: Please lift with care.
  - Check you have all the components and tools listed on pages 2 and 3.
  - Remove all fittings from the plastic bags and separate them into their Groups
  - Keep children and animals away from the work area, small parts could choke if swallowed.
  - Make sure you have enough space to lay out the parts before starting.
  - Do not stand or put weight on the product, this could cause damage.
  - Assemble the item as close to its final position (in the same room) as possible.
  - Assemble on a soft level surface to avoid damaging the unit or your floor (use opened out unit carton).
- We do not recommend the use of power drill/drivers for inserting screws, as this could damage the unit. Only use hand screwdrivers.
- Dispose of all packaging carefully and responsibly

## CARE AND MAINTENANCE

- Only clean using a damp cloth and mild detergent, do not use bleach or abrasive cleaners.
- From time to time check that there are no loose screws on this unit.
- This product should not be discarded with household waste. Take to your local authority waste disposal center.
- Note: If required the next page can be cut out and used as reference throughout the assembly. Keep this page with these instructions for future reference.

# COMPONENTS

Please check you have all the panels listed below:



1 Left Leg Frame	x1
2 Right Leg Frame	x1
3 Seat Frame	x1
4 Back Panel	x1

# ASSEMBLY INSTRUCTIONS

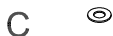
Please check you have all the panels listed below:



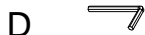
Bolt M6 x 35 = 12



Lock Washer M6 x 10 = 8



Flat Washer M6 x 13 = 8







Allen Key 4 x 60 = 1

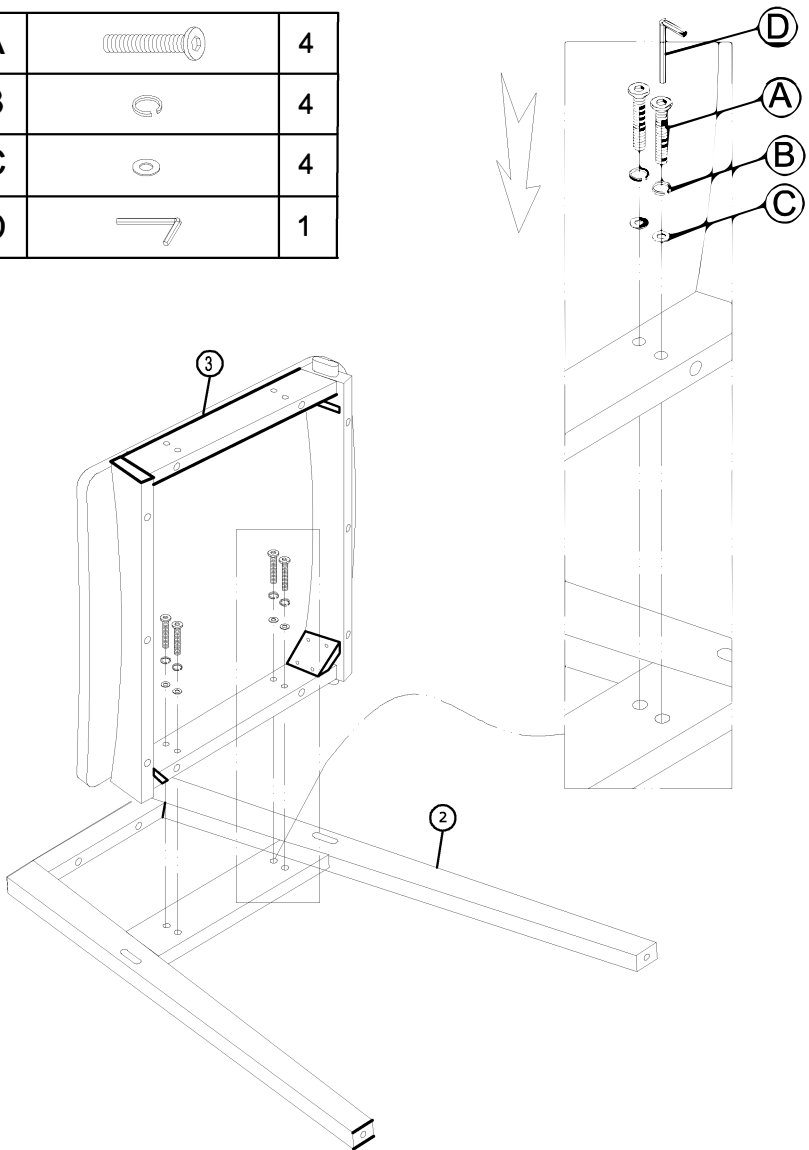


Dowell 10x30 = 4

# ASSEMBLY INSTRUCTIONS





Step 1:

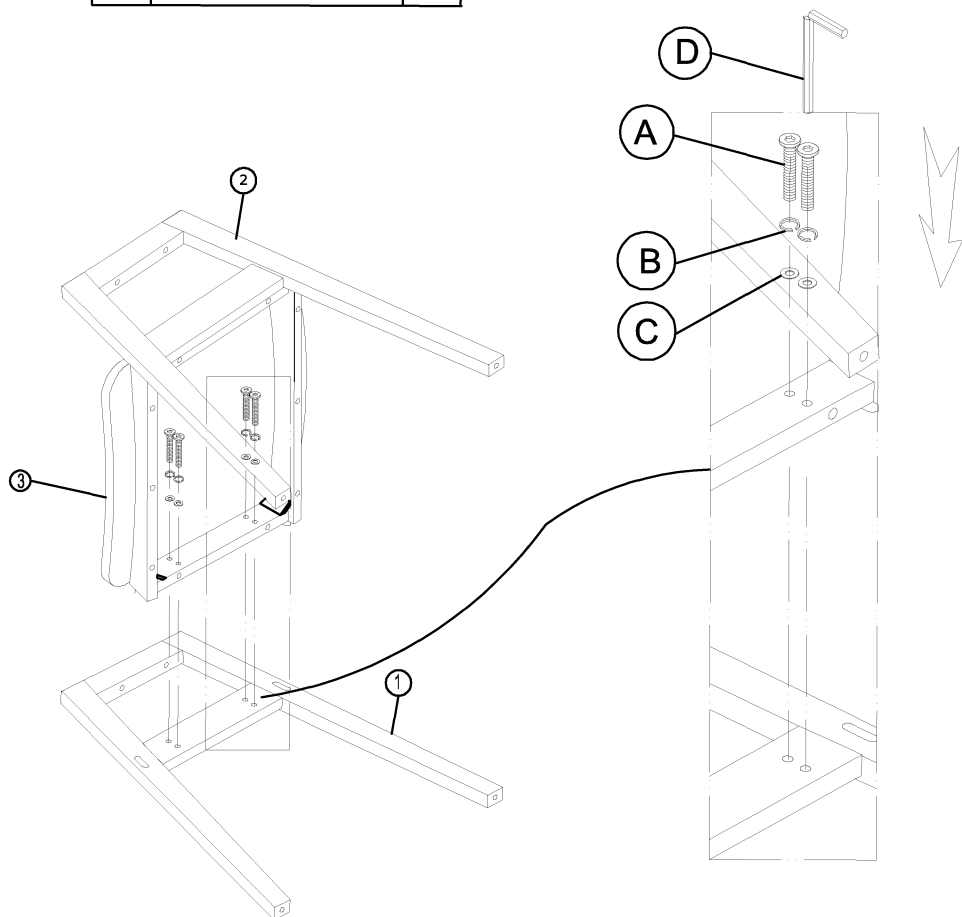
A		4
B		4
C		4
D		1



# ASSEMBLY INSTRUCTIONS



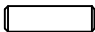
Step 2:

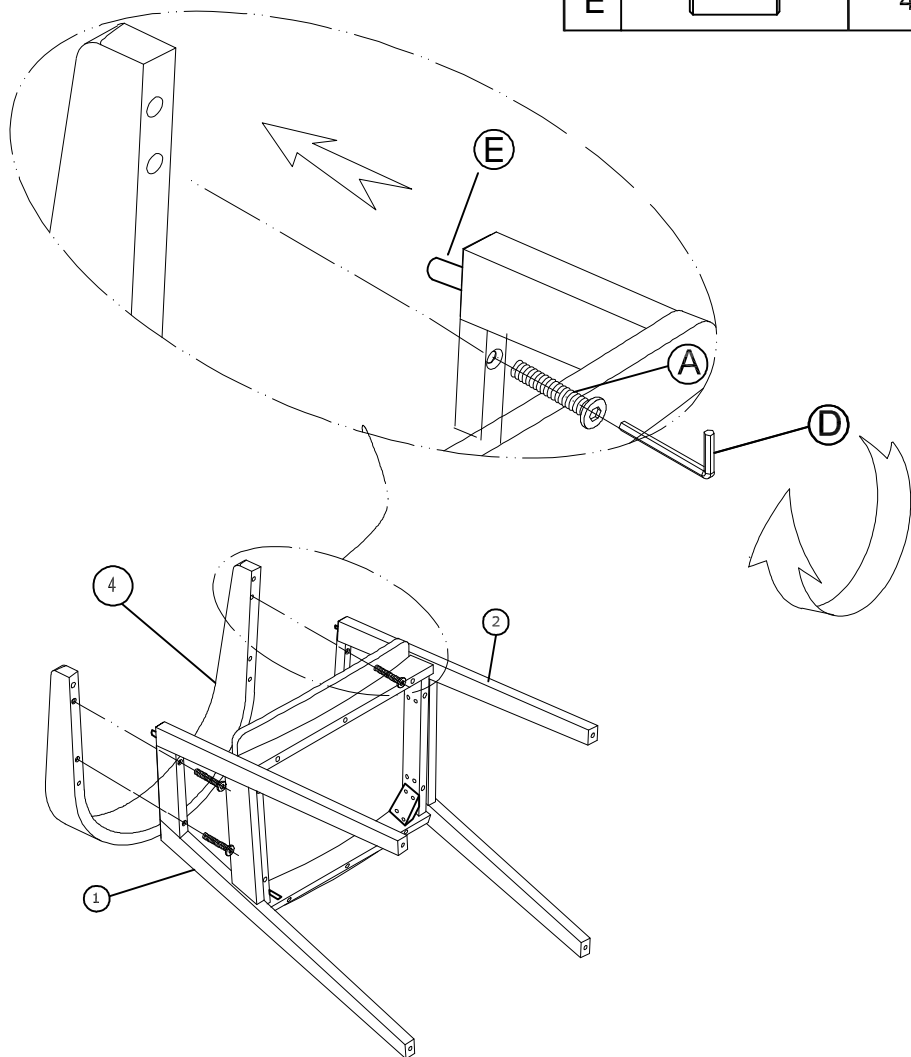
A		4
B		4
C		4
D		1



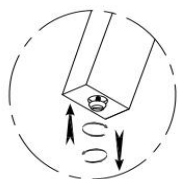
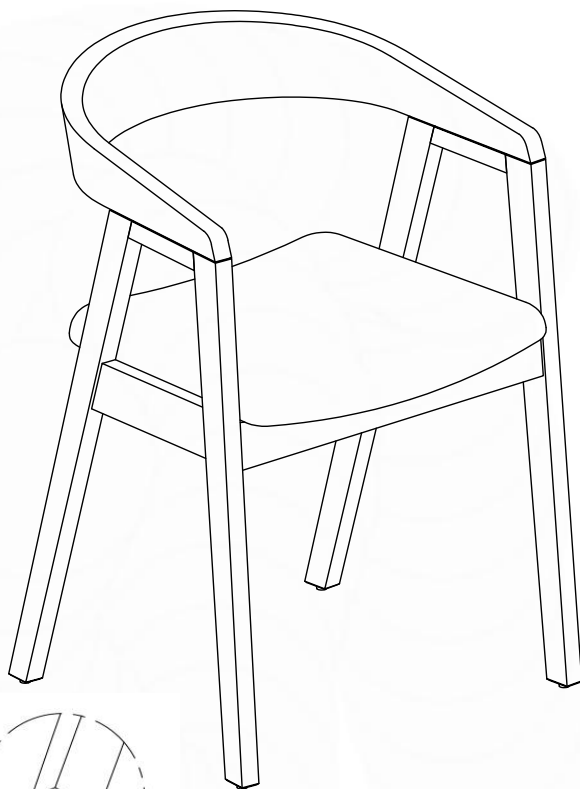
# ASSEMBLY INSTRUCTIONS

Step 3:

A		4
D		1
E		4



# ASSEMBLY INSTRUCTIONS



Congratulations! Now you have finished assembling the product.

# IF YOU FIND A DEFECTIVE PART

---

We fully stock all parts and components. Any defective part can be quickly replaced. Take note of the defective part number in manual and we will arrange a quick replacement.

## COPYRIGHT

---

All material in this instruction manual is copyrighted.  
Any unauthorised use may violate worldwide copyright, trademark and other laws