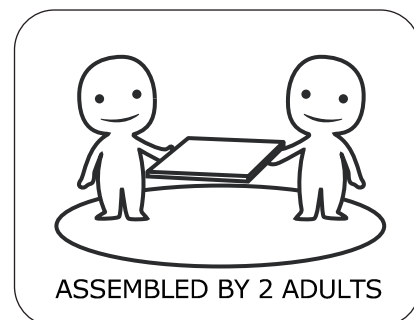
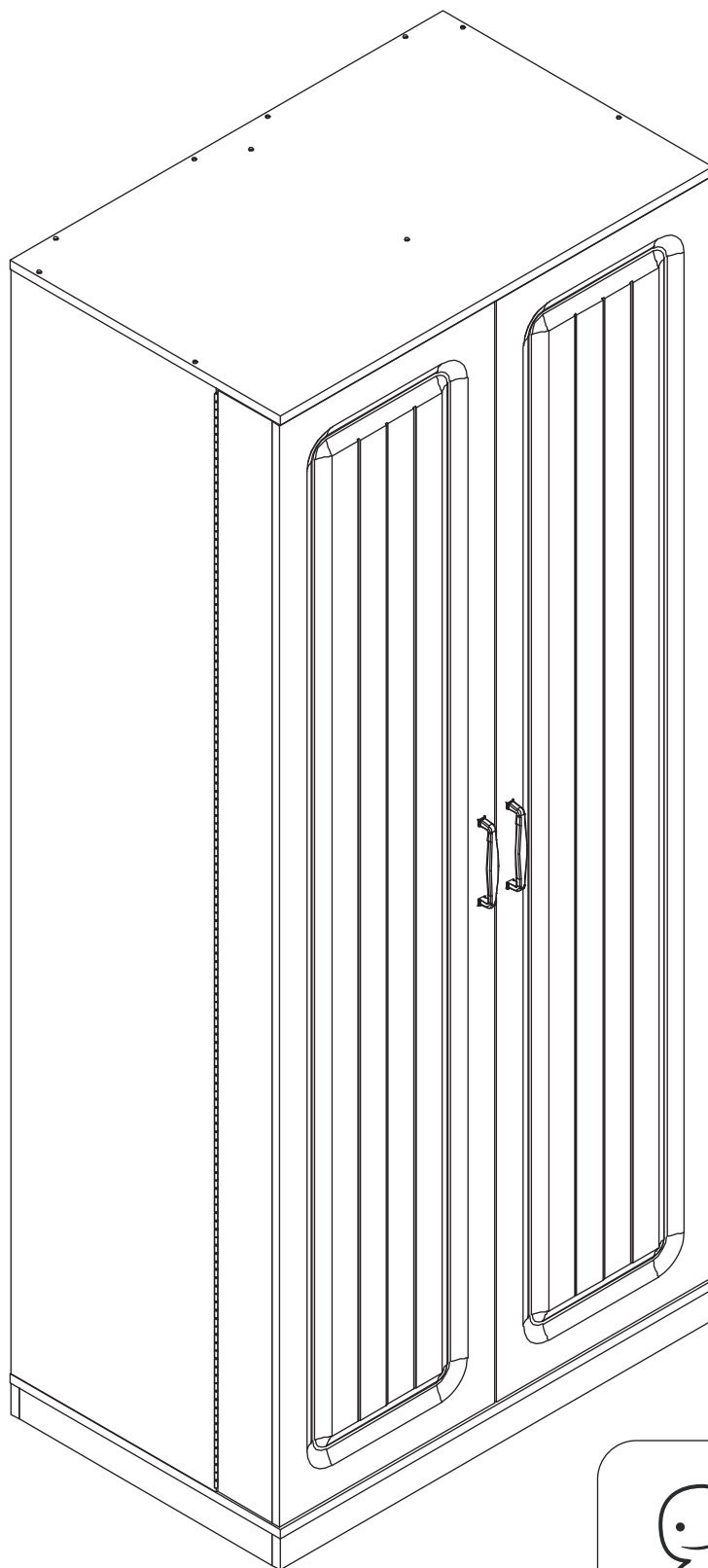


Installation Instructions

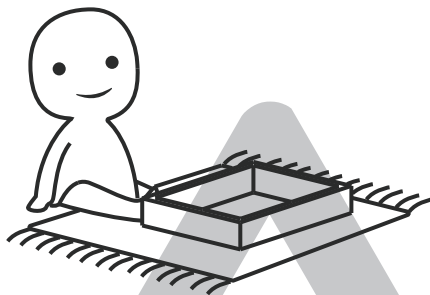
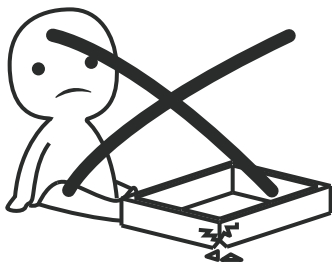
Cabinet





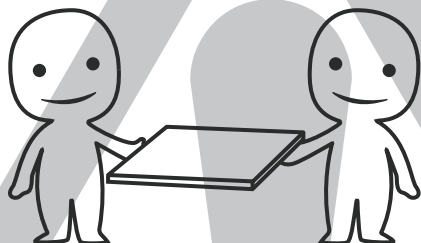
IMPORTANT INFORMATION!

please read the entire manual before starting to assemble and/or using this product. follow the manual thoroughly and keep it for further reference.



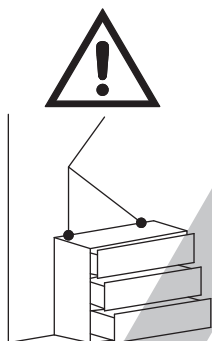
AVOID SCRATCHES!

In order to avoid scratching this furniture should be assembled on a soft layer- could be a rug.



IMPROVE EFFICIENCY !

Try to find a partner to install with you, which can speed up the installation efficiency and shorten the time.



ANTI-TOPPLE WARNING !

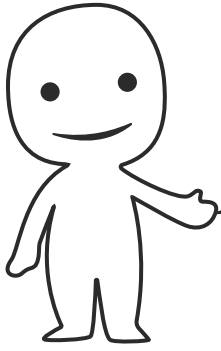
Overturned furniture can cause serious or fatal crush injuries. To prevent tipping over, be sure to use the wall attachment, if not included with this product. Please purchase the wall attachment that fit your wall. If unsure, seek professional advice. Please read and follow each step of the instructions carefully.

IMPORTANT !

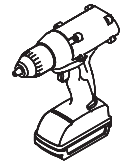
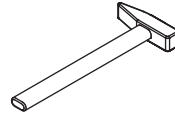
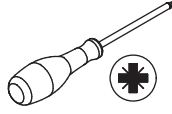
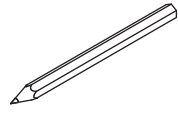
It is important that any product which is assembled using any kind of screw is re-tightened 2 weeks after assembly, and once every 3 months - in order to assure stability through-out the lifespan of the product.

For regular maintenance and cleaning of the product, for the frame, please use a rag dipped in neutral detergent to fully wipe it, and then dry it with a clean rag. For glass materials, wipe with a rag dampened with water glass cleaner, and then dry with a dry rag.

Do not use an electric screwdriver, and do not use too much force when installing, because the board is easy to break.

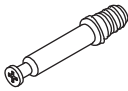


Please prepare the following tools




When installing, please carefully confirm whether each screw corresponds to the manual, accessories with similar shapes can be distinguished by size

A x 220



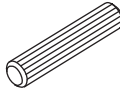
CRA0635A

B x 220



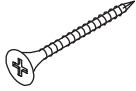
CRB1595A

C x 208




CRF0830A

D x 20




CRD0440A

E x 36




CRD0430A

F x 2



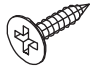
1754 mm

G x 2



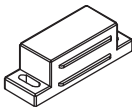
1590 mm

H x 62



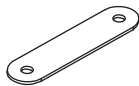
CRD3512A

J x 4



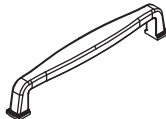
45 x 15 x 14 mm

K x 4




50 x 12 x 1 mm

L x 2



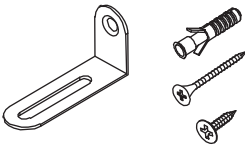
128 mm

M x 4

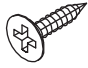


CRE0418A

N x 2

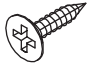


P x 8

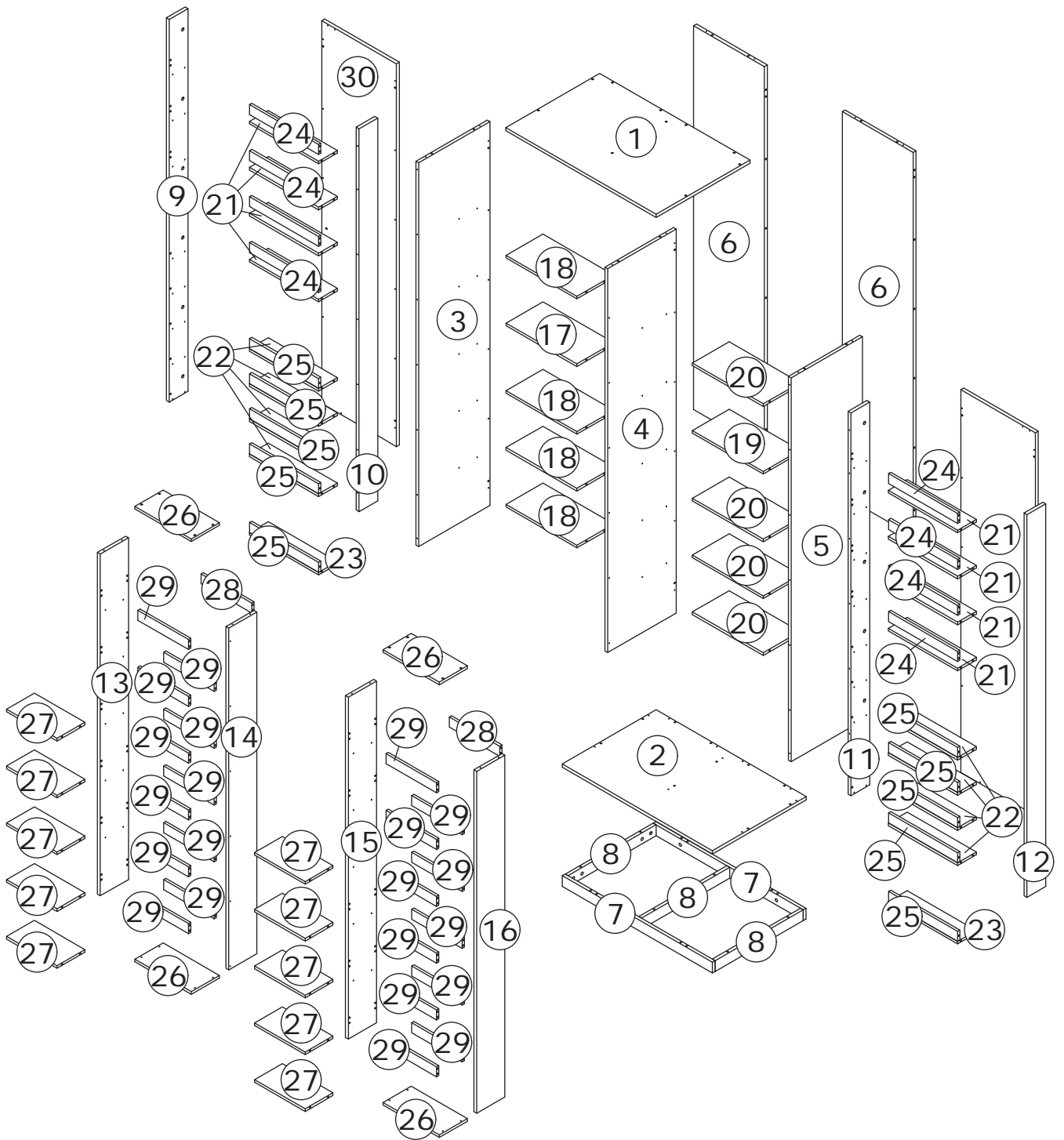


CRD0312A

Q x 8



CRD0316A



⚠ WARNING

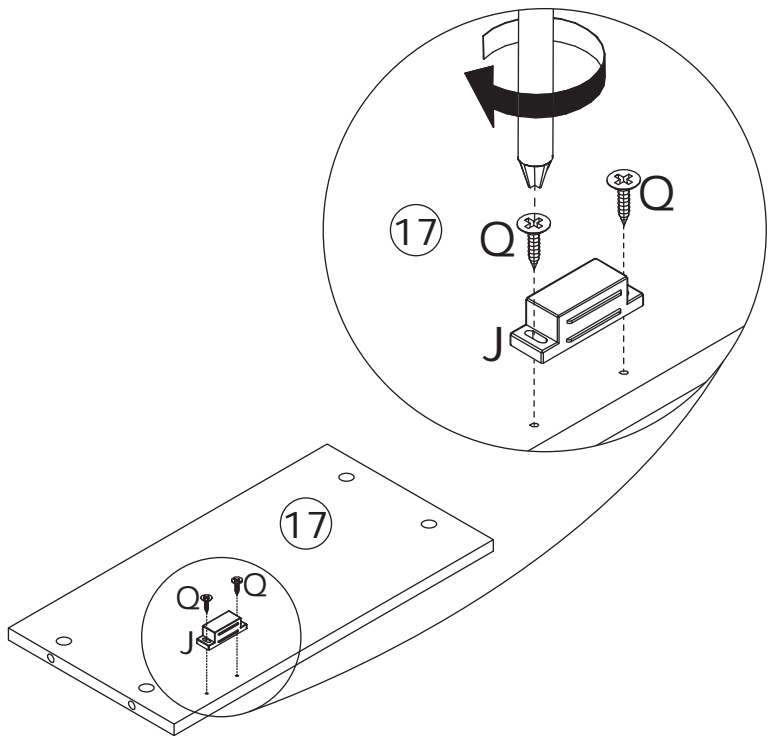
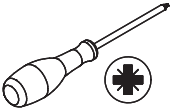
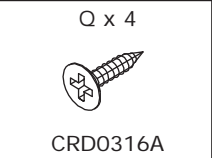
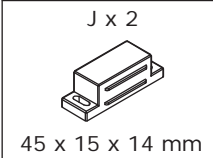


Children have died from furniture tipover. To reduce the risk of furniture tipover:

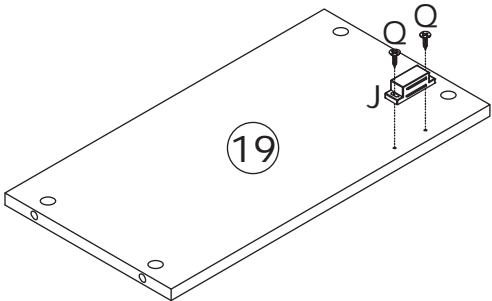
- ALWAYS install tipover restraint provided.
- NEVER put a TV on this product.
- NEVER allow children to stand, climb or hang on drawers, doors, or shelves.
- NEVER open more than one drawer at a time.
- Place heaviest items in the lowest drawers.

*This is a permanent label.
Do not remove!*

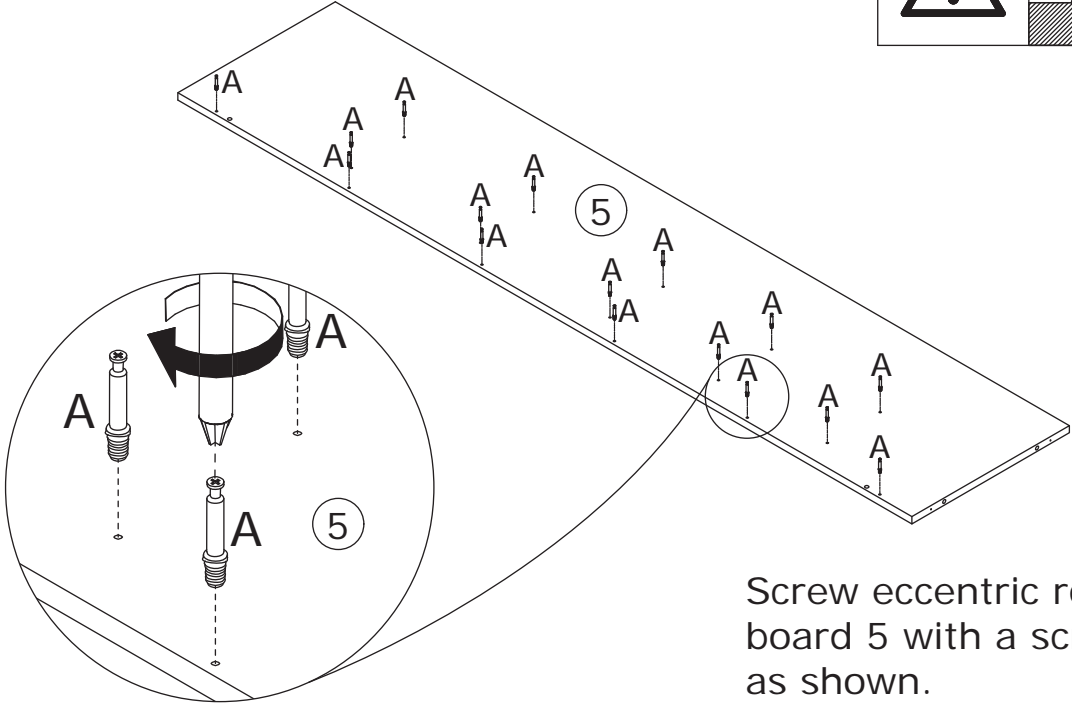
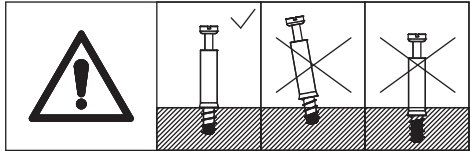
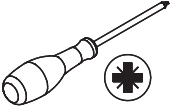
1



Fix part(J) to board 17 and 19 with screw(P) as shown.

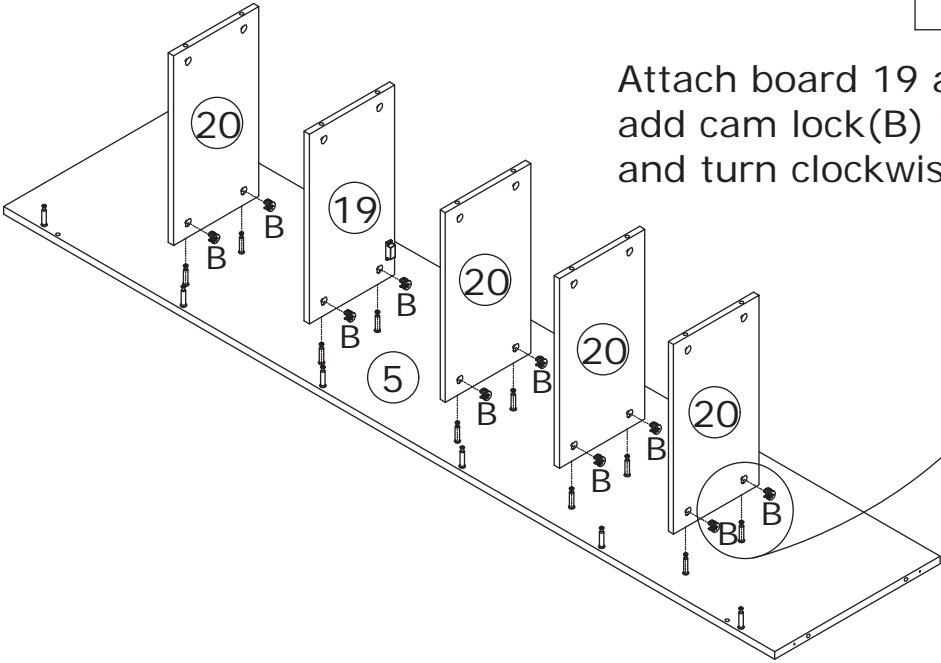
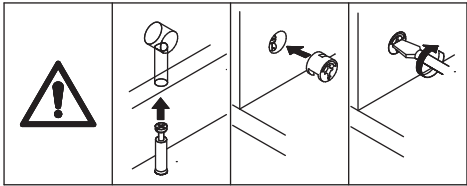
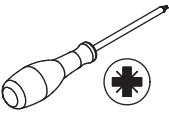
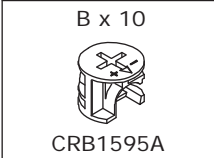


2

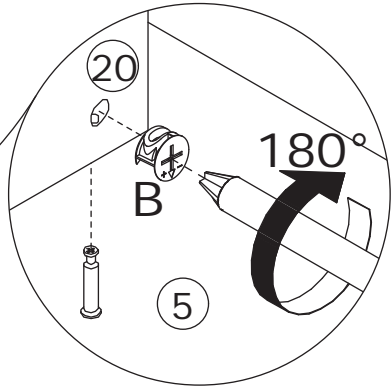


Screw eccentric rod(A) into board 5 with a screwdriver as shown.

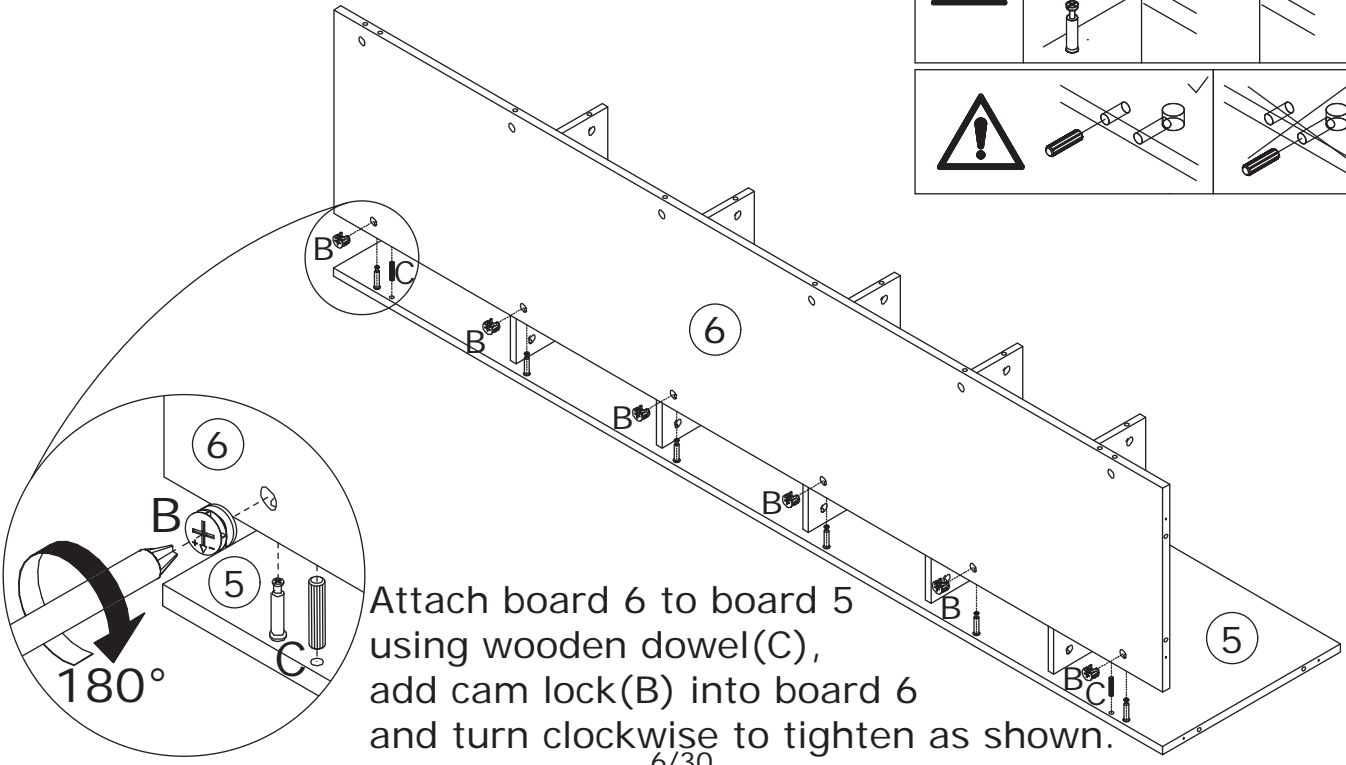
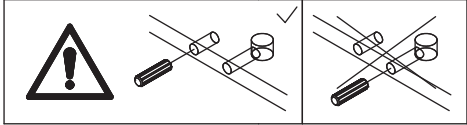
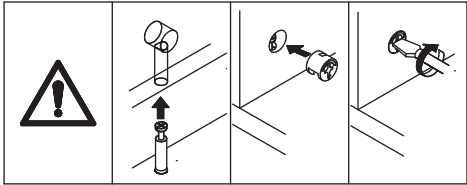
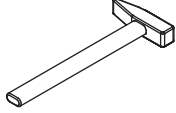
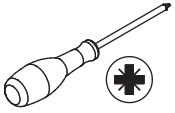
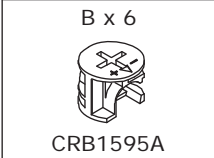
3



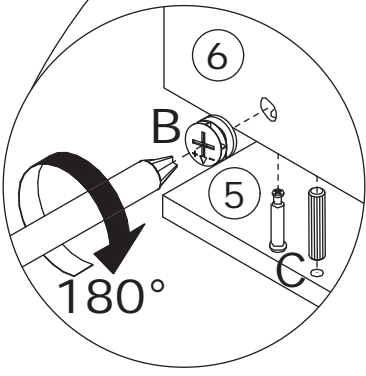
Attach board 19 and 20 to board 5, add cam lock(B) into board 19,20 and turn clockwise to tighten as shown.



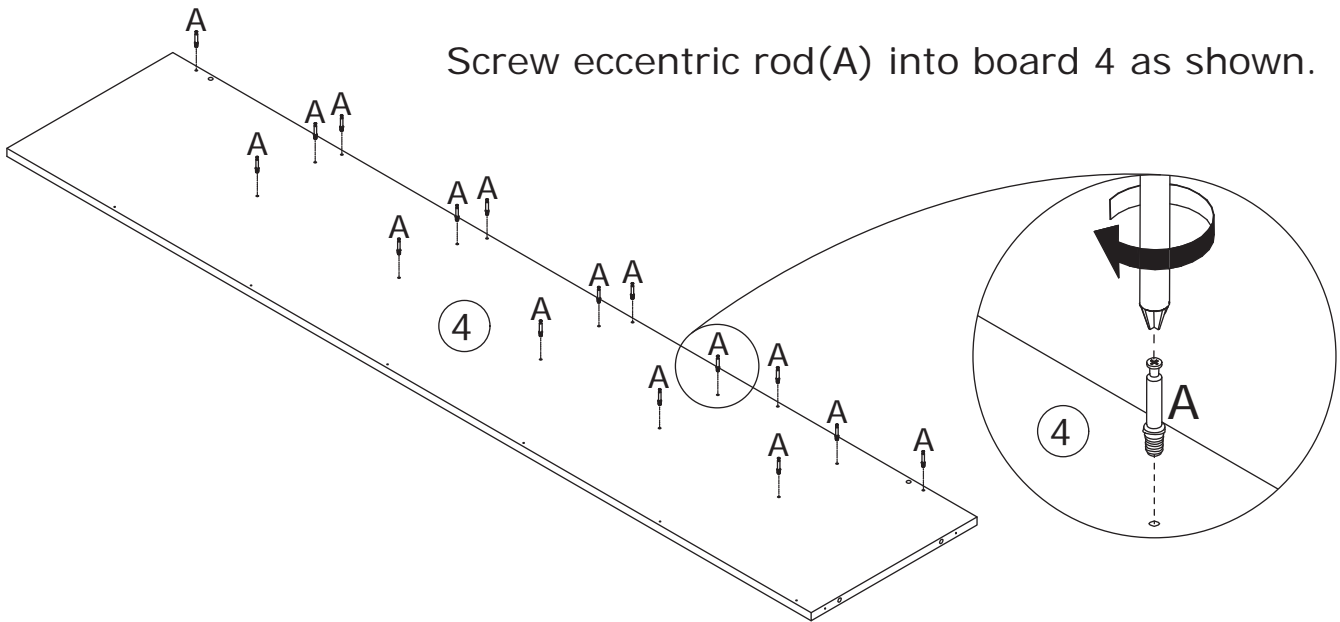
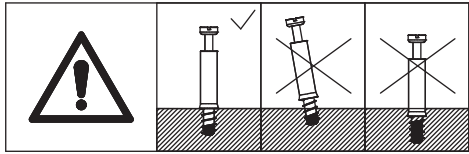
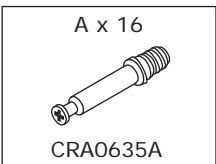
4



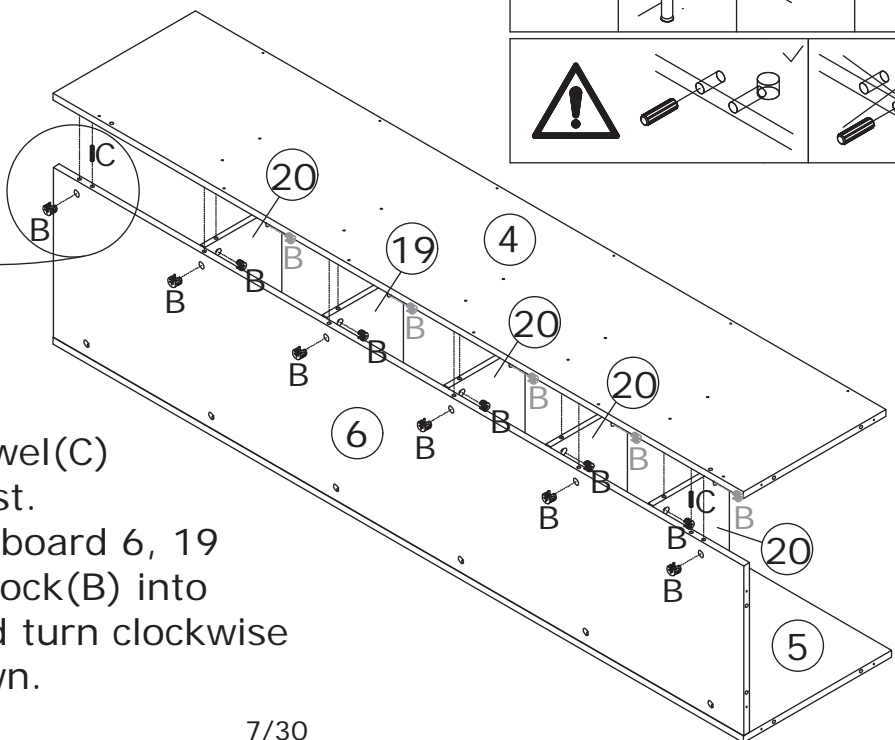
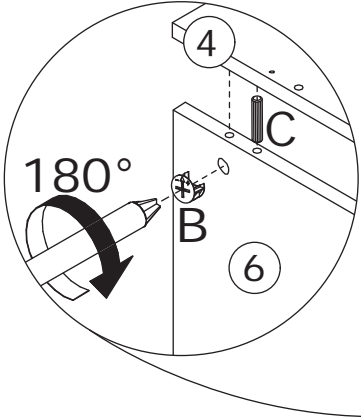
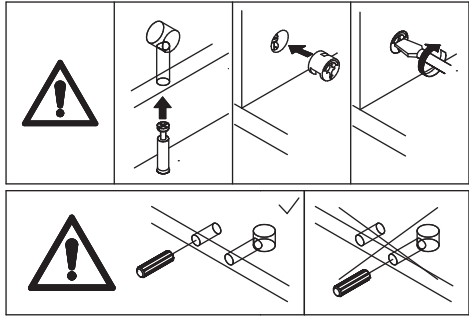
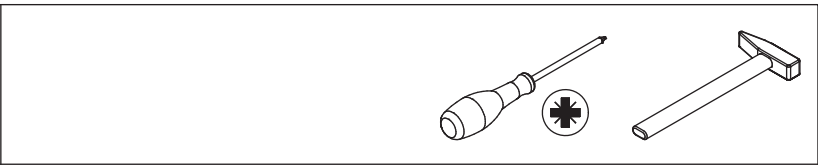
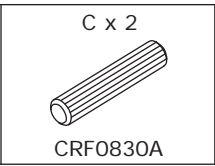
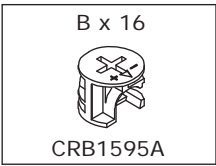
Attach board 6 to board 5 using wooden dowel(C), add cam lock(B) into board 6 and turn clockwise to tighten as shown.



5

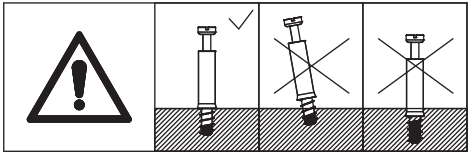


6

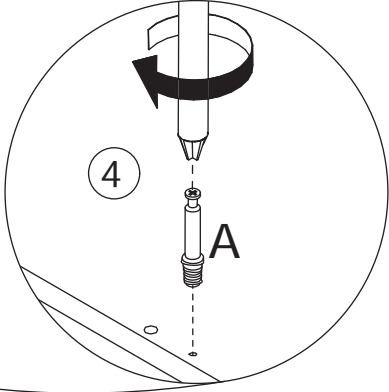
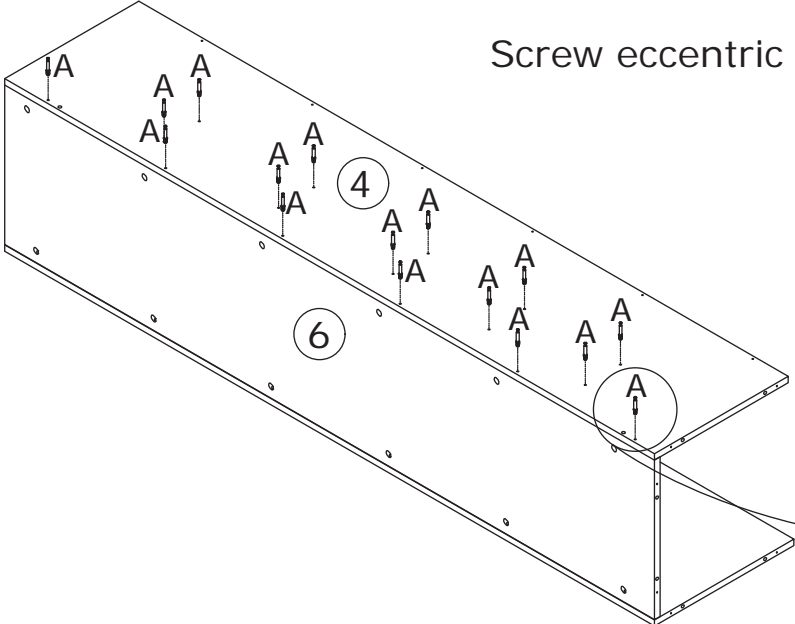


Insert wooden dowel(C) into board 6 at first.
 Attach board 4 to board 6, 19 and 20, add cam lock(B) into board 6,19,20 and turn clockwise to tighten as shown.

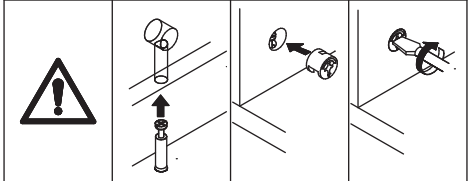
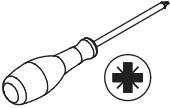
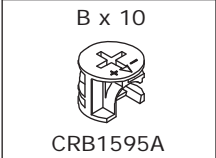
7



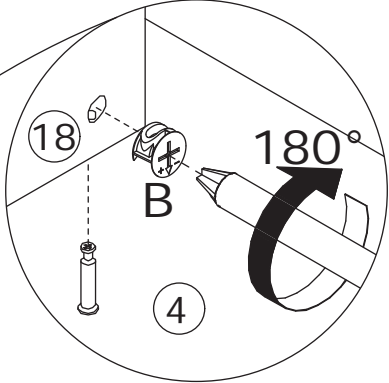
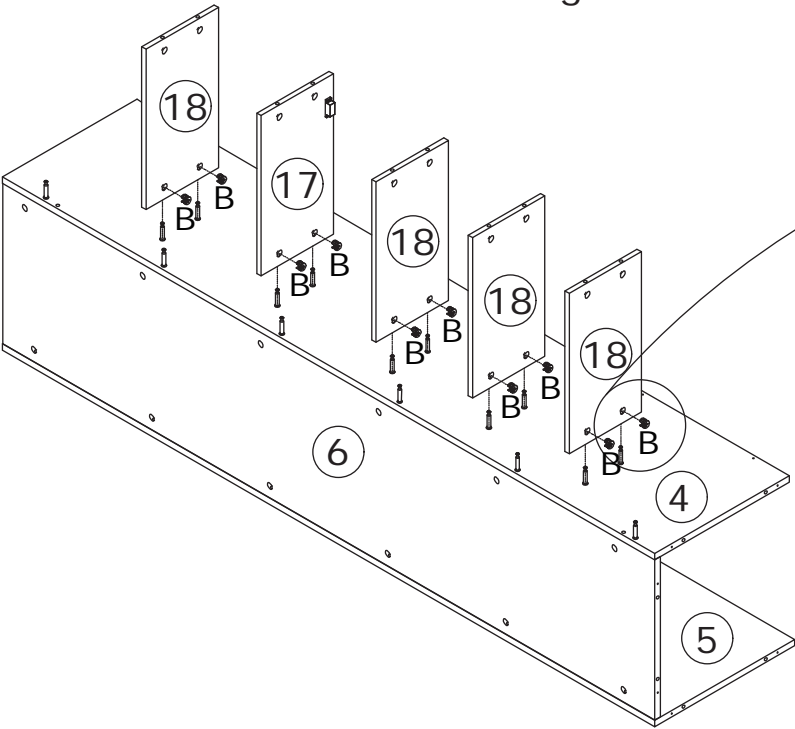
Screw eccentric rod(A) into board 4 as shown.



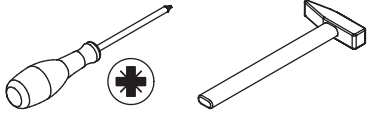
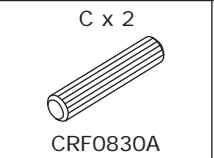
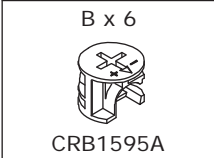
8



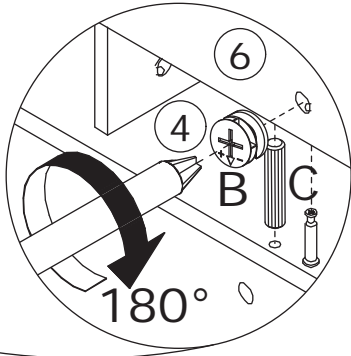
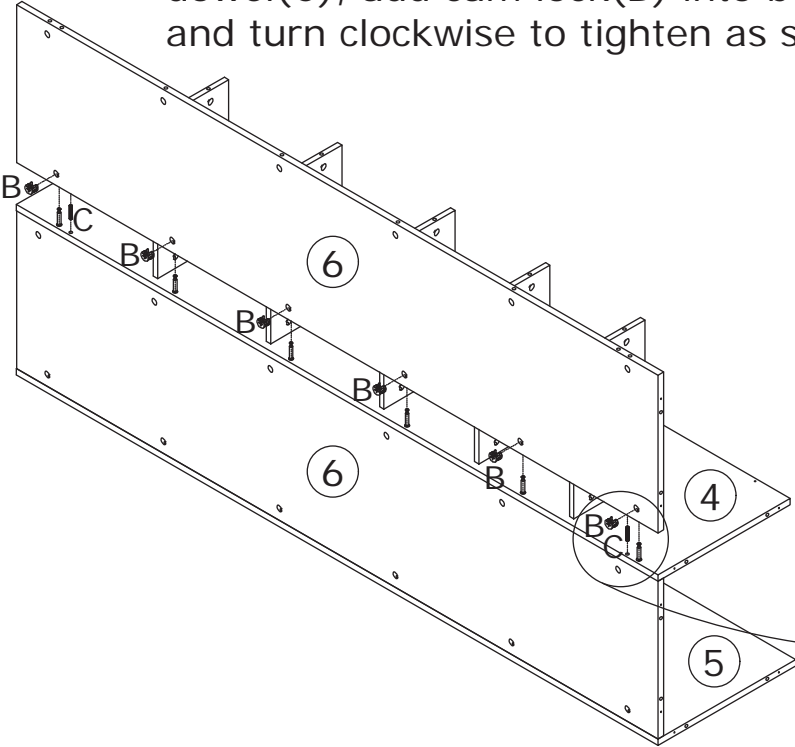
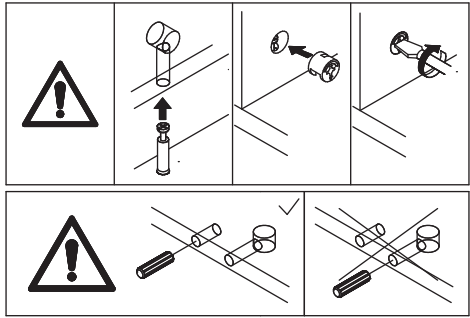
Attach board 17 and 18 to board 4, add cam lock(B) into board 17,18 and turn clockwise to tighten as shown.



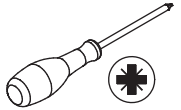
9



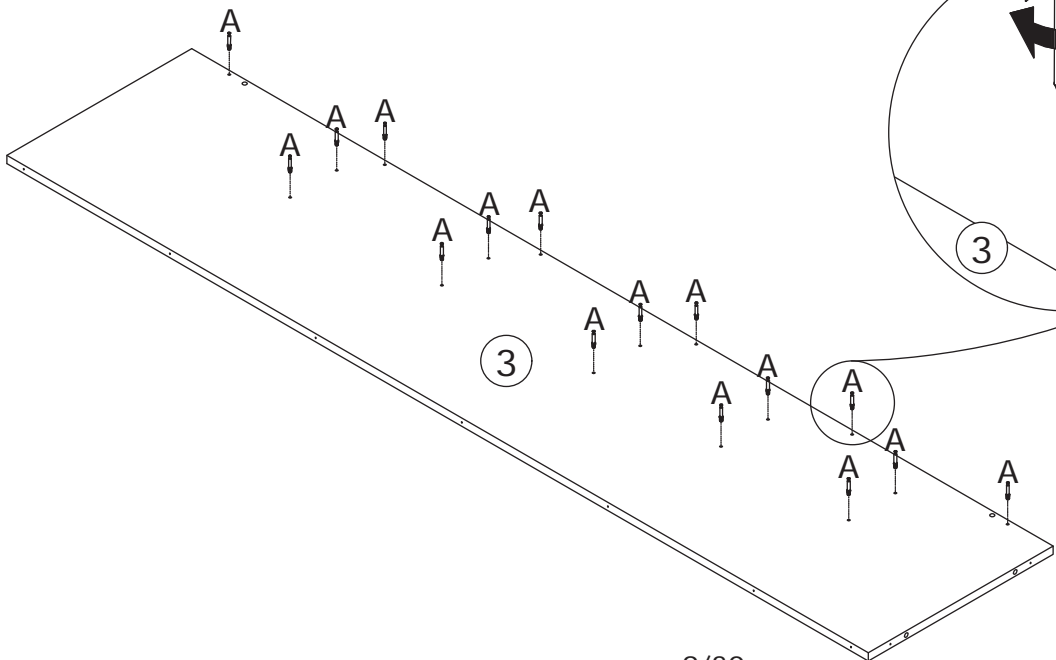
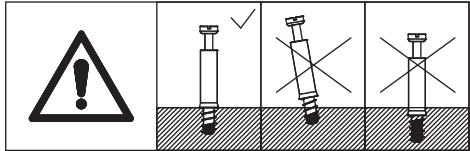
Attach board 6 to board 4 using wooden dowel(C), add cam lock(B) into board 6 and turn clockwise to tighten as shown.



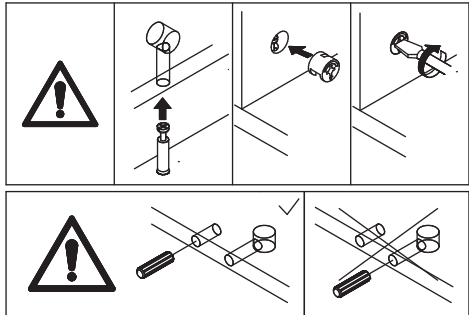
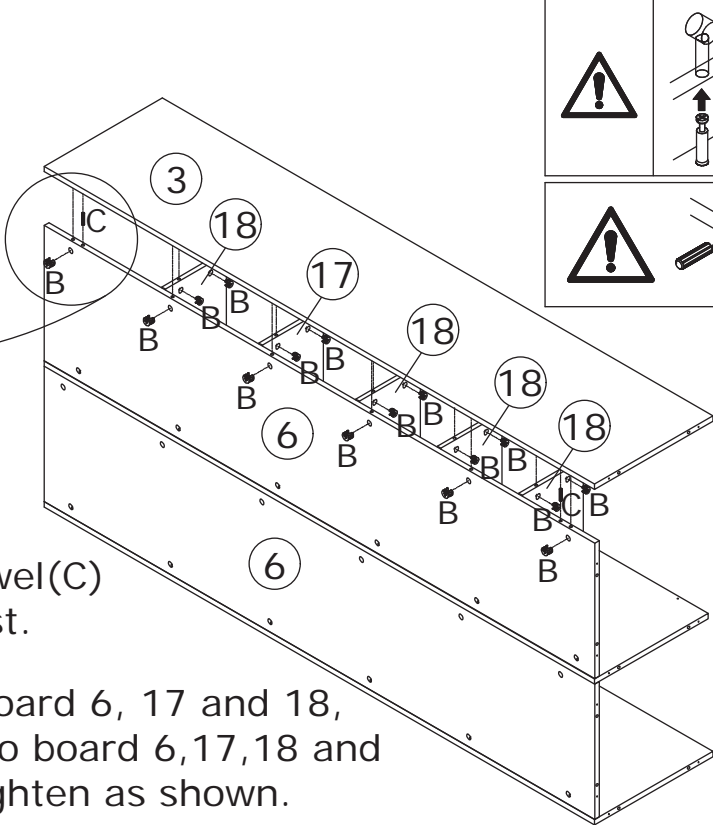
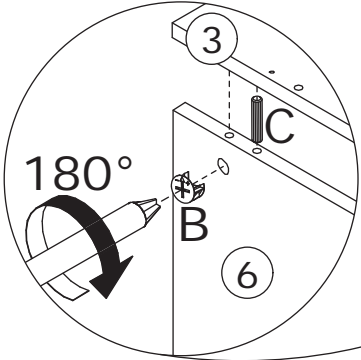
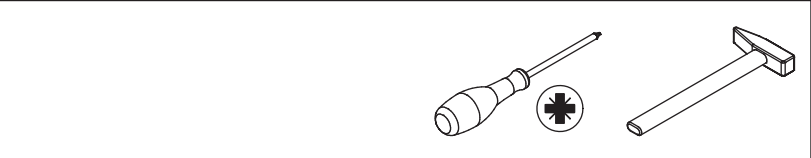
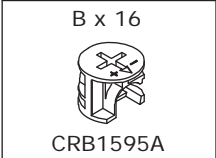
10



Screw eccentric rod(A) into board 3 as shown.



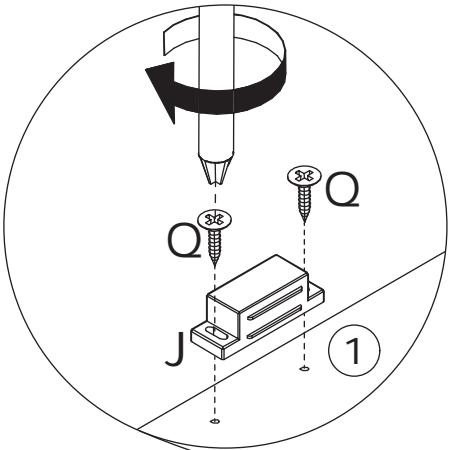
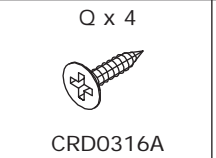
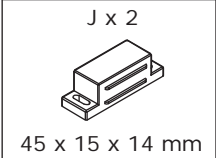
11



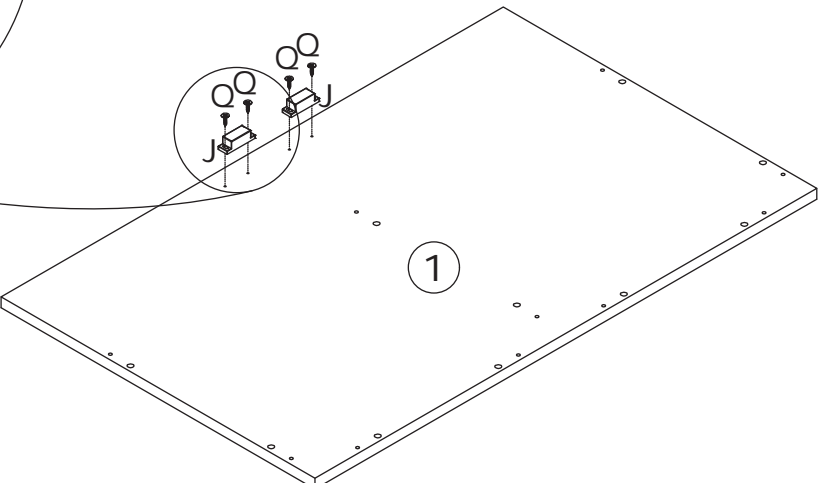
Insert wooden dowel(C)
 into board 6 at first.

Attach board 3 to board 6, 17 and 18,
 add cam lock(B) into board 6,17,18 and
 turn clockwise to tighten as shown.

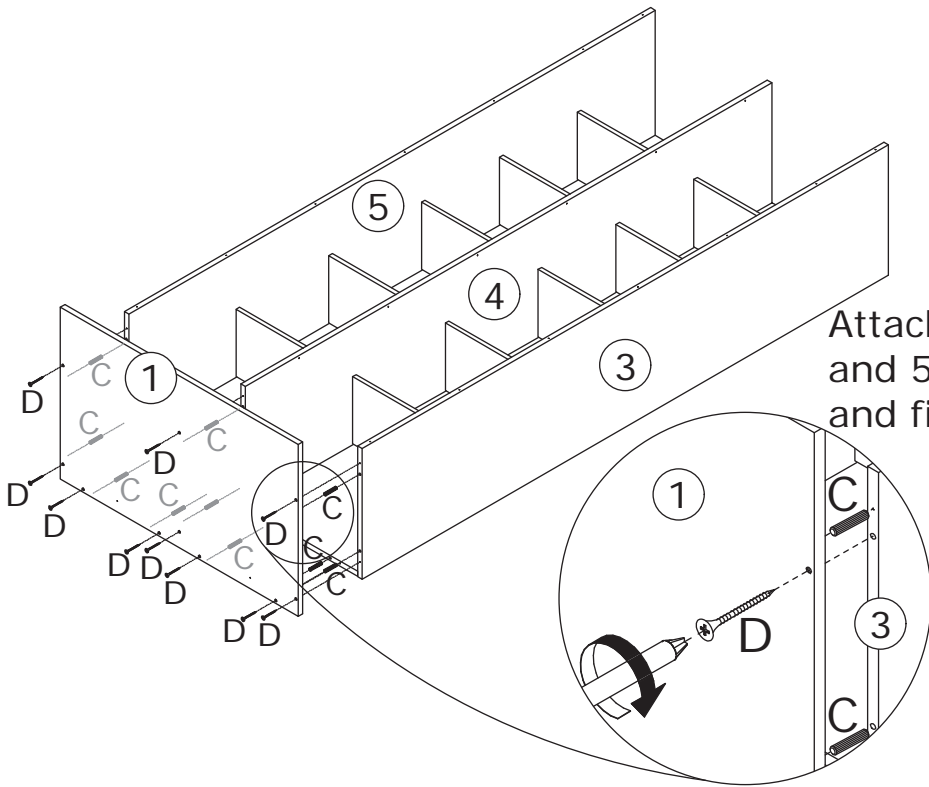
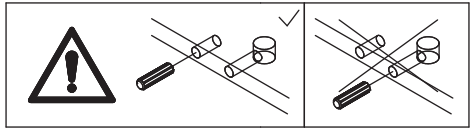
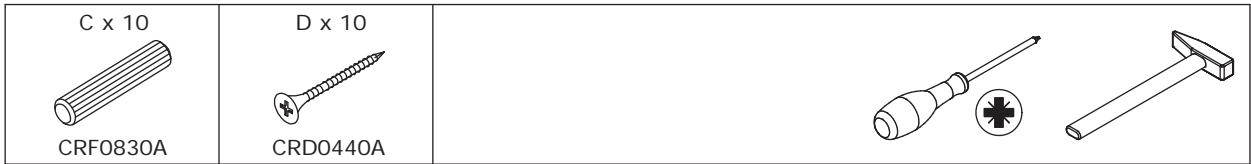
12



Fix part(J) to board 1 with screw(P) as shown.

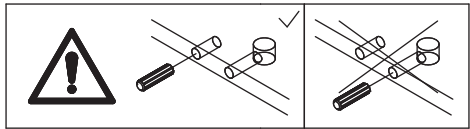


13

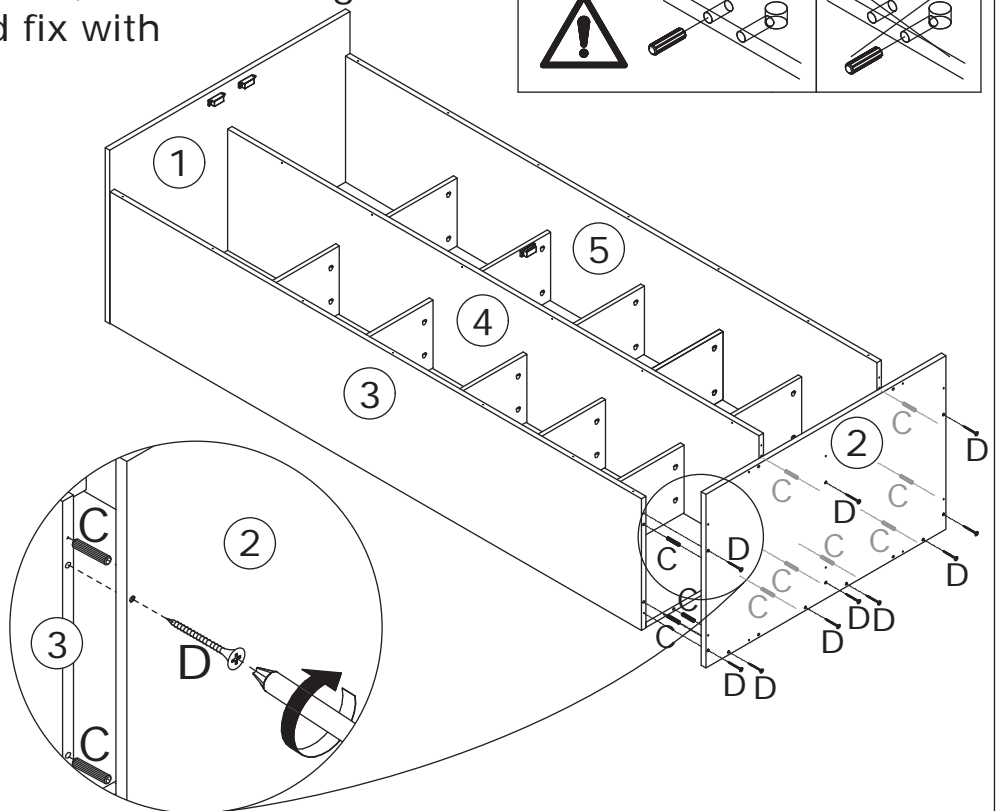


Attach board 1 to board 3, 4 and 5 using wooden dowel(C), and fix with screw(D) as shown.

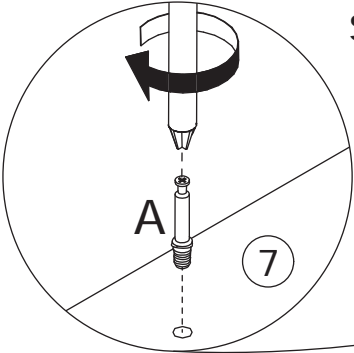
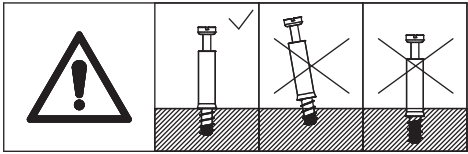
14



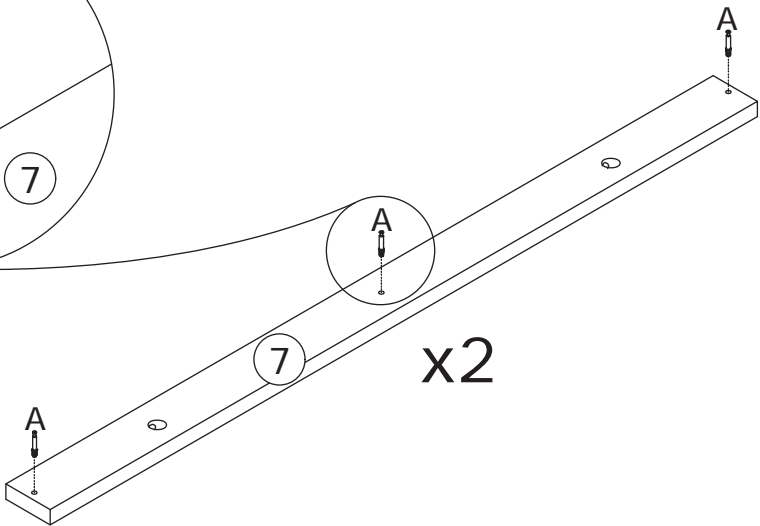
Attach board 2 to board 3, 4 and 5 using wooden dowel(C), and fix with screw(D) as shown.



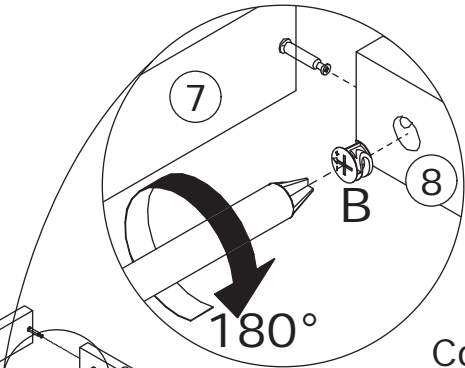
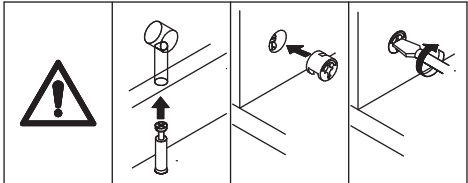
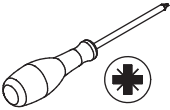
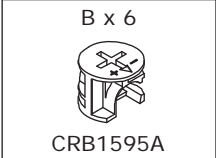
15



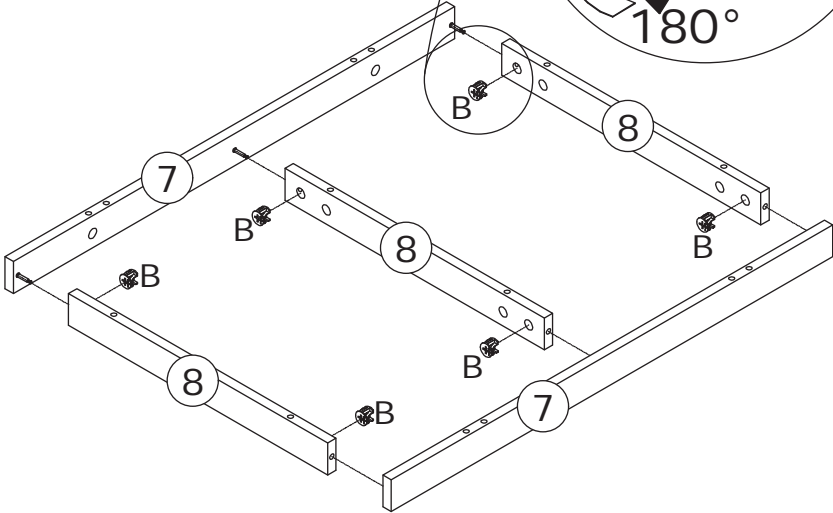
Screw eccentric rod(A) into board 7 as shown.



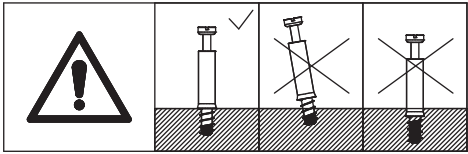
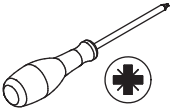
16



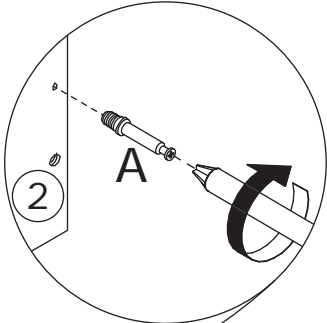
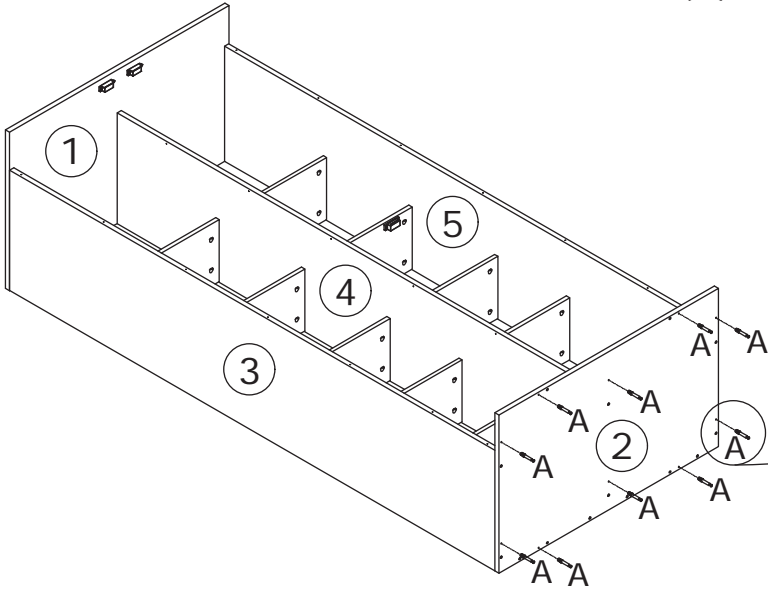
Connect board 8 to board 7, add cam lock(B) into and turn clockwise to tighten as shown.



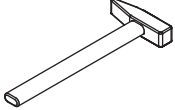
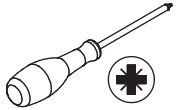
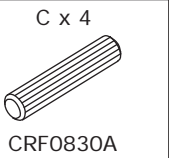
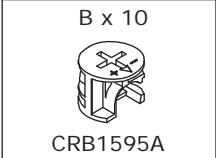
17



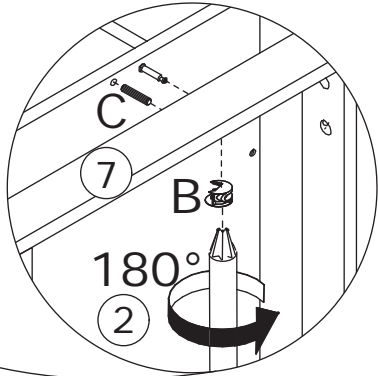
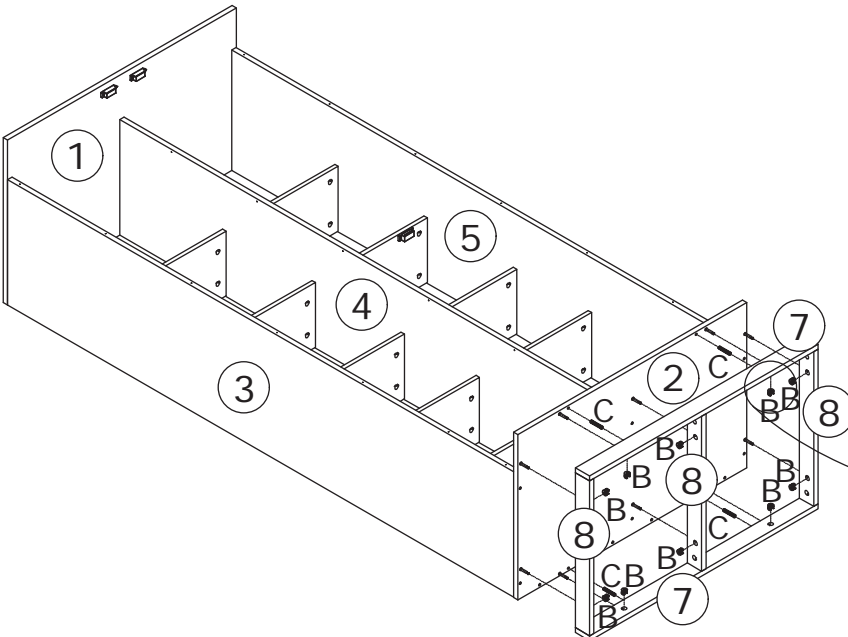
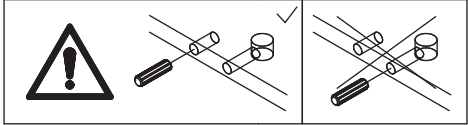
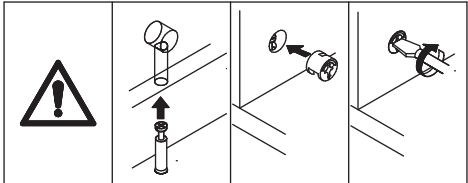
Screw eccentric rod(A) into board 2 as shown.



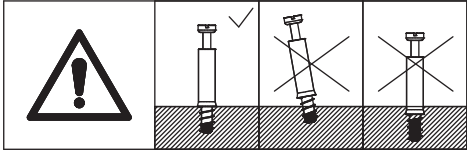
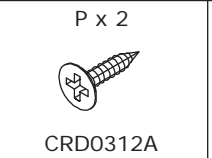
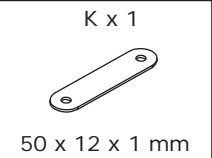
18



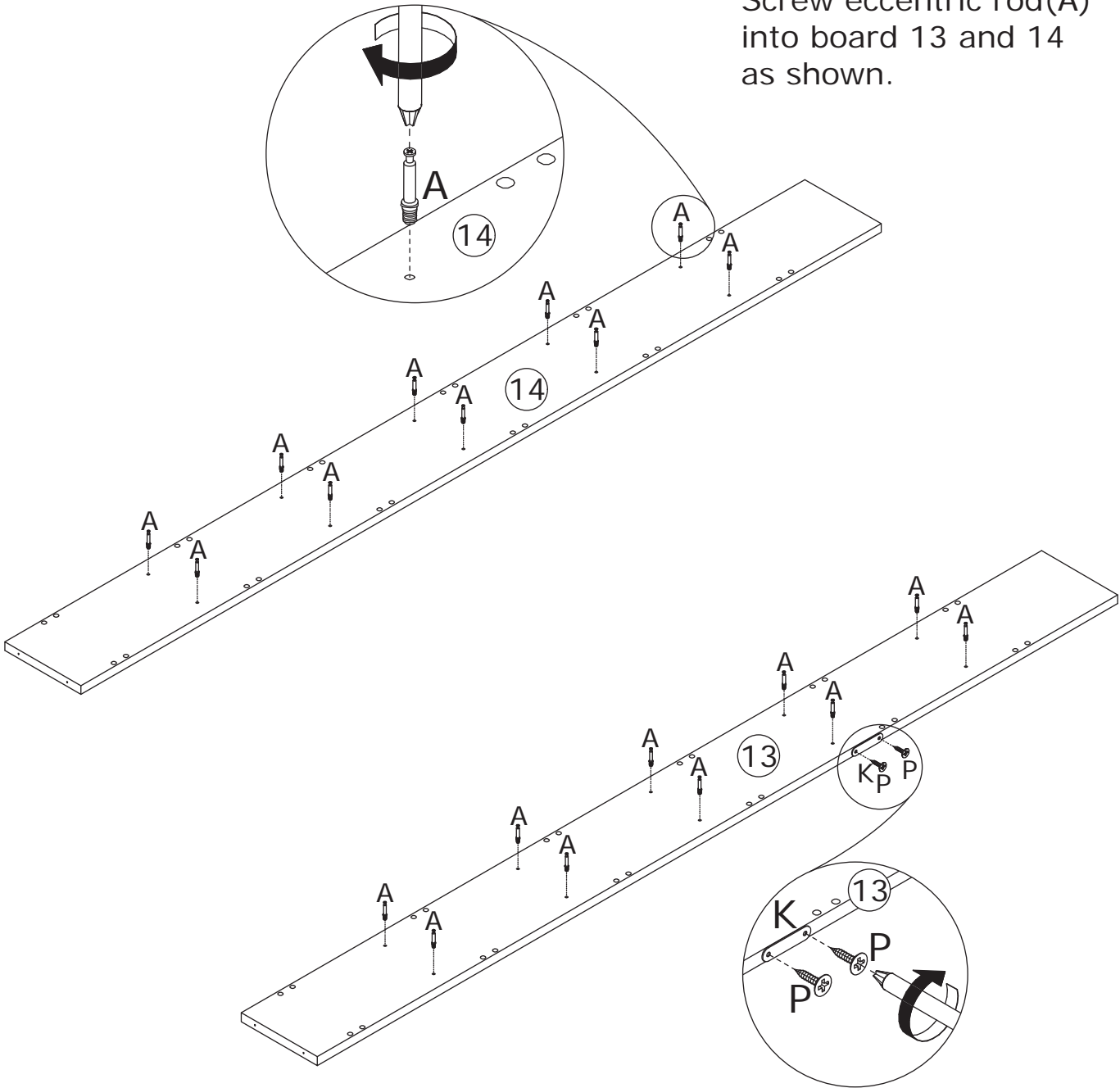
Attach the component to board 2 using wooden dowel(C), add cam lock(B) into and turn clockwise to tighten as shown.



19

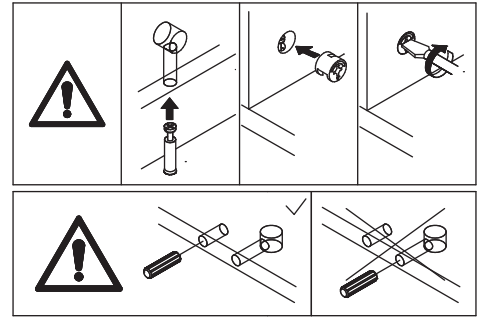
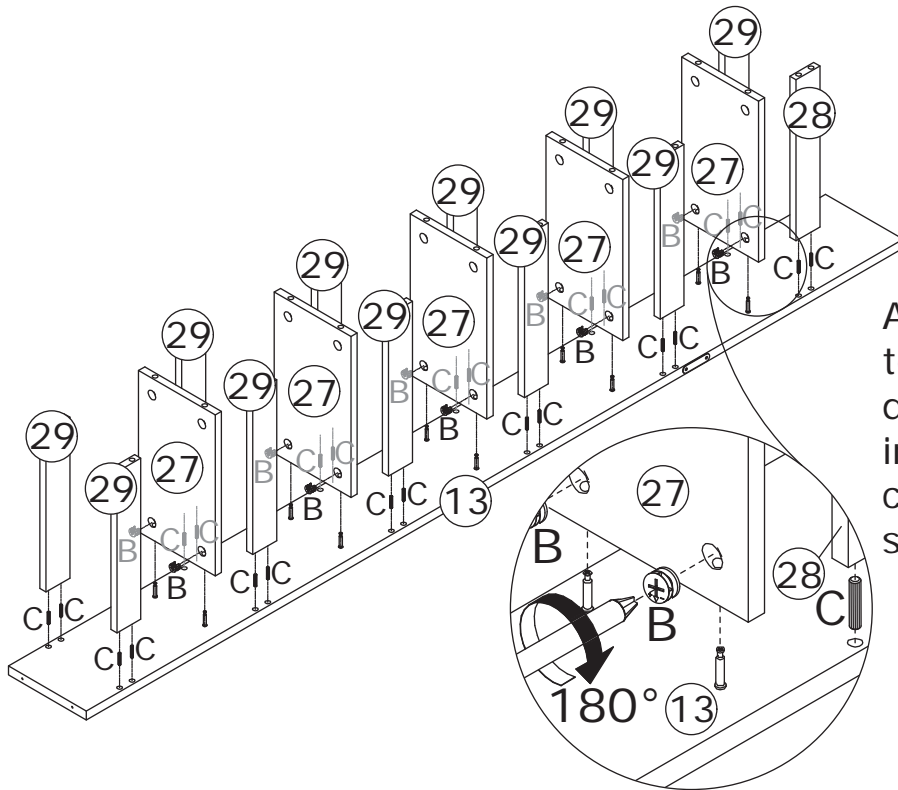
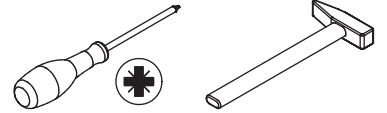
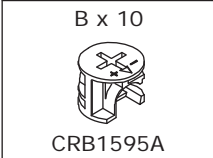


Screw eccentric rod(A)
into board 13 and 14
as shown.



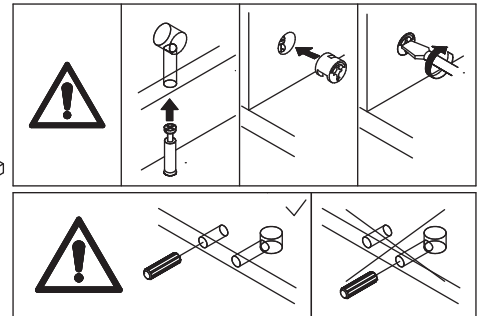
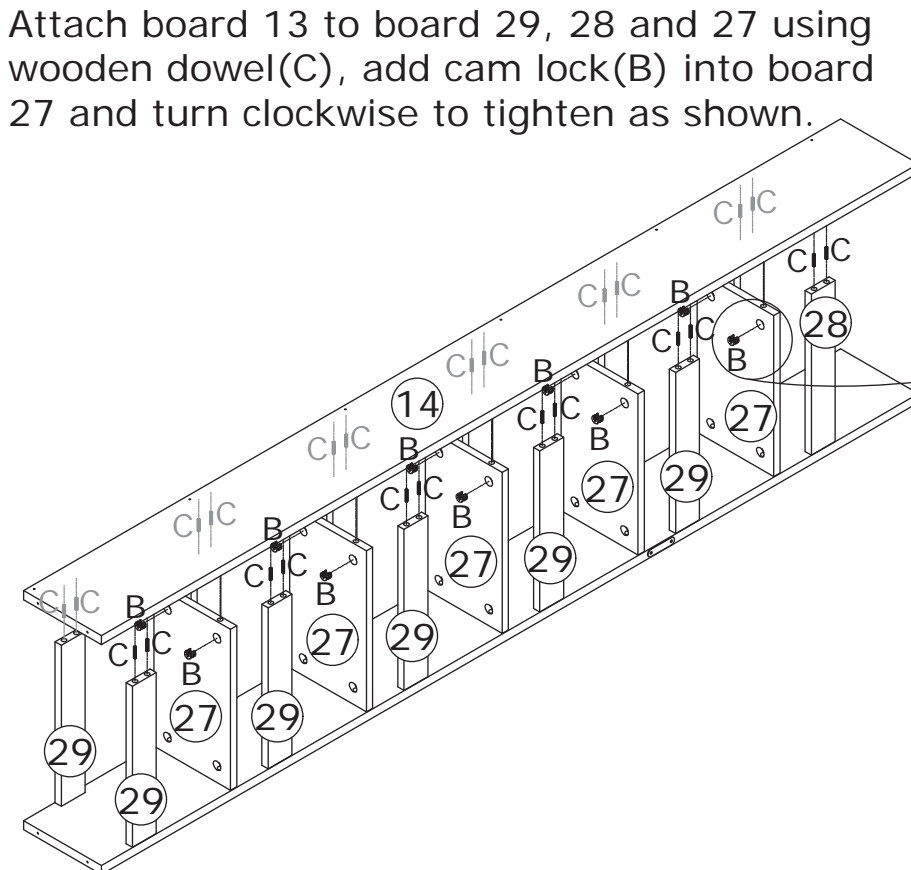
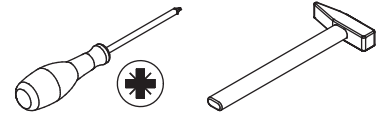
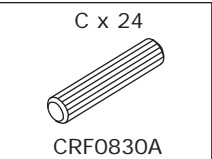
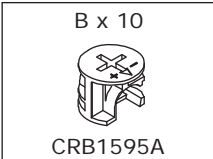
Fix part(K) to board 13
with screw(P) as shown.

21



Attach board 29, 28 and 27 to board 13 using wooden dowel(C), add cam lock(B) into board 27 and turn clockwise to tighten as shown.

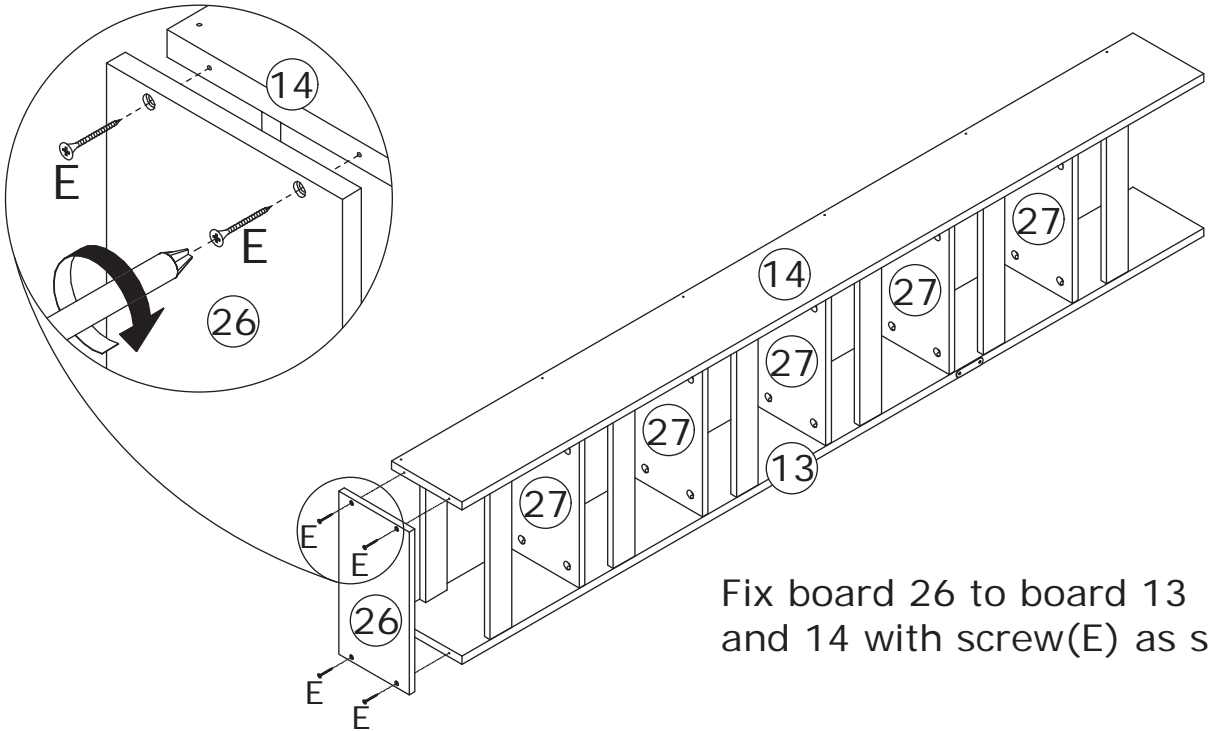
22



Attach board 13 to board 29, 28 and 27 using wooden dowel(C), add cam lock(B) into board 27 and turn clockwise to tighten as shown.

23

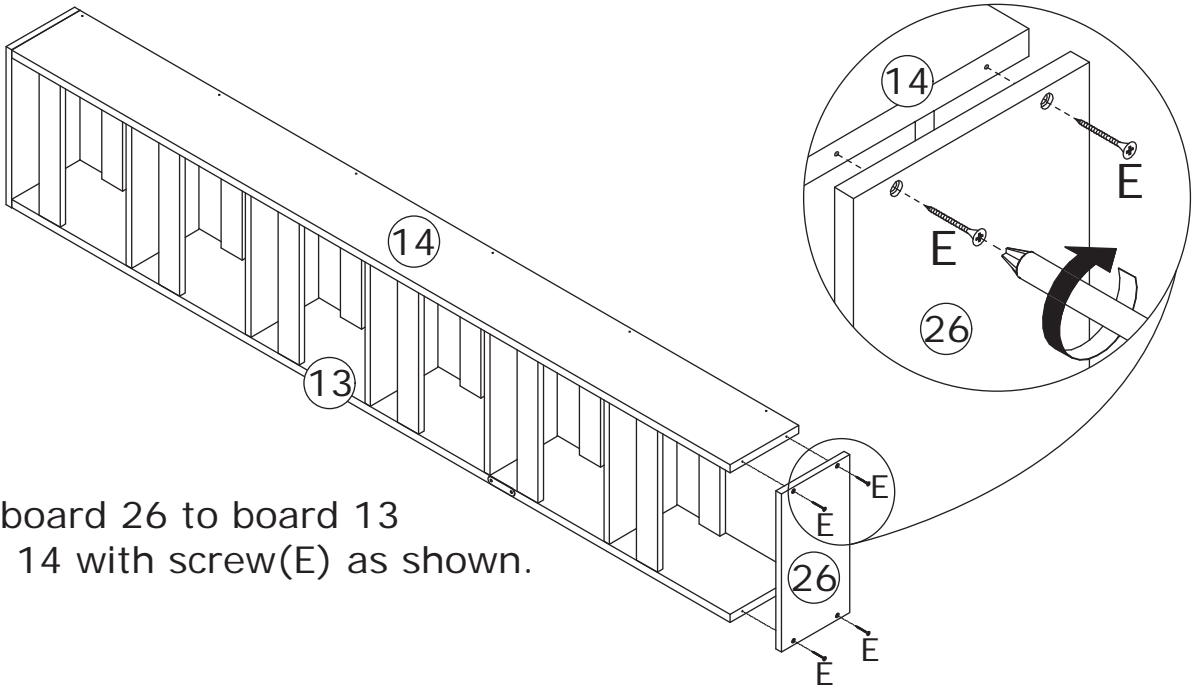
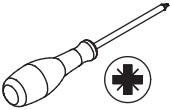
E x 4
CRD0430A



Fix board 26 to board 13 and 14 with screw(E) as shown.

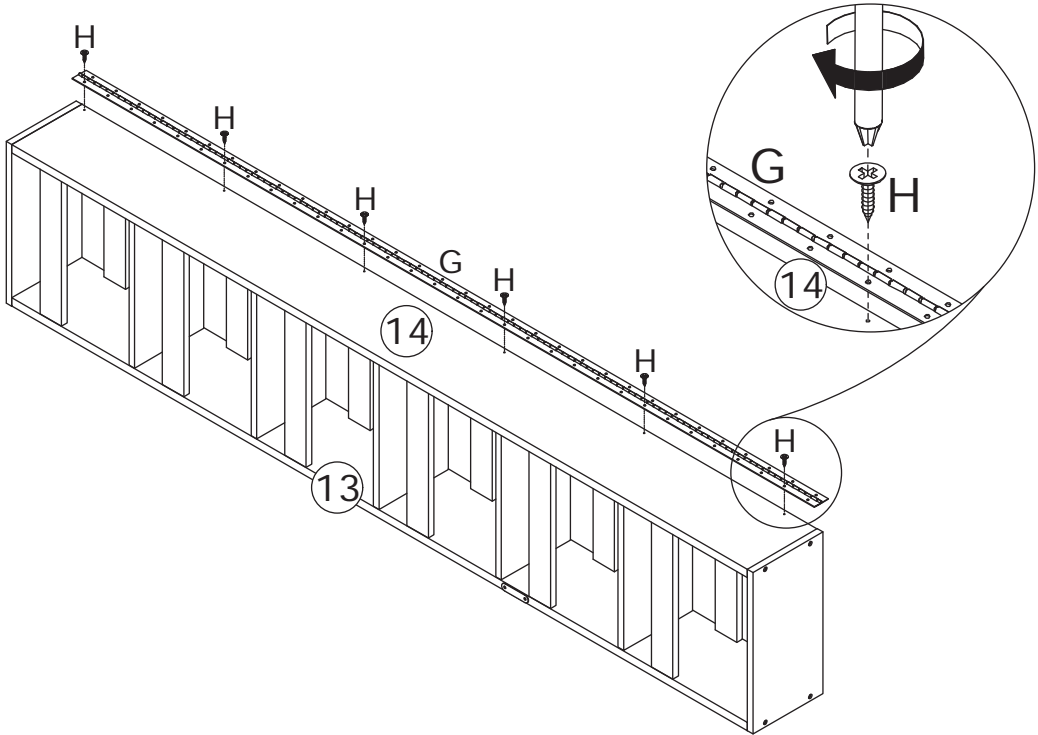
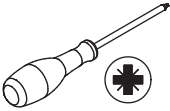
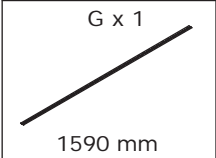
24

E x 4
CRD0430A



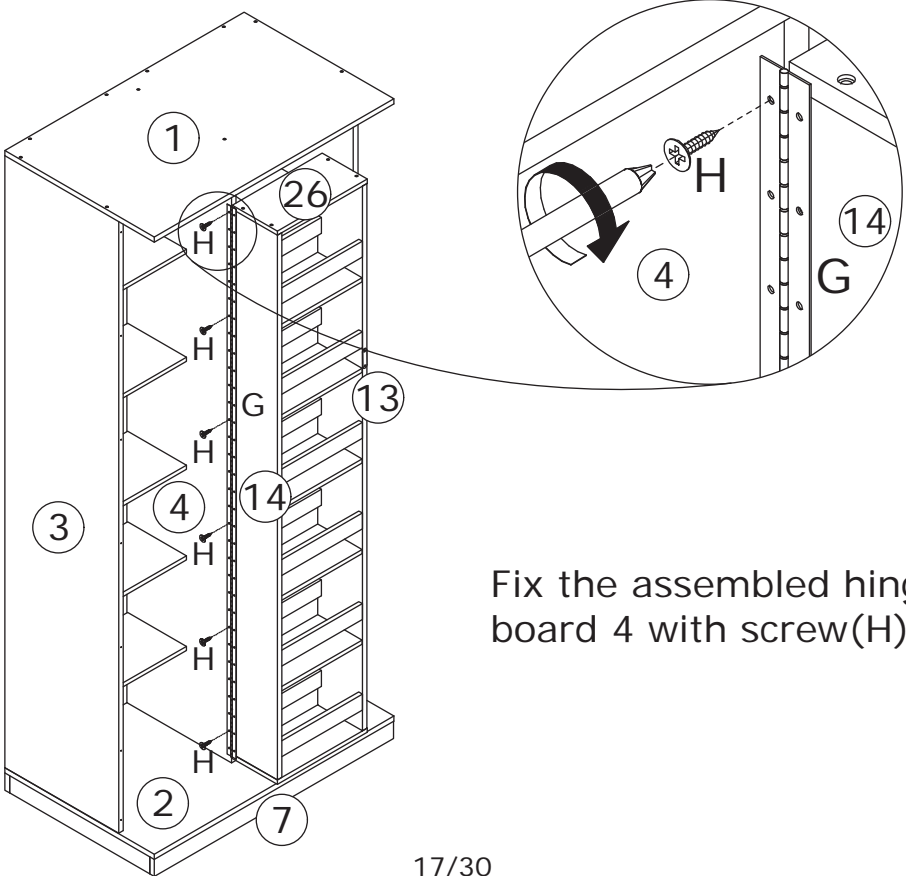
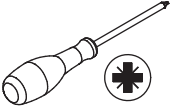
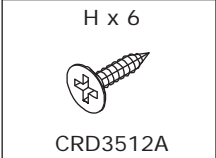
Fix board 26 to board 13 and 14 with screw(E) as shown.

25



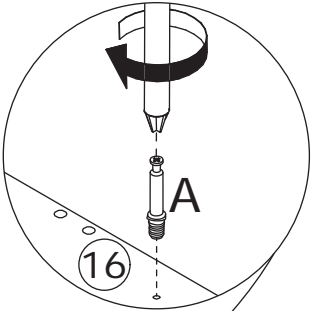
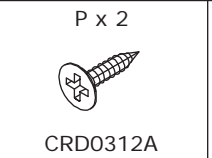
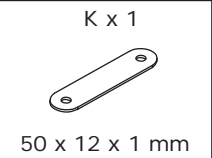
Fix hinge(G) to board 14 with screw(H) as shown.

26

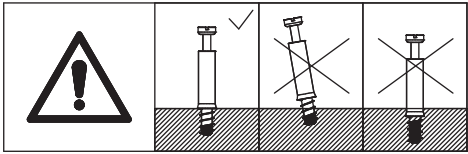


Fix the assembled hinge to board 4 with screw(H) as shown.

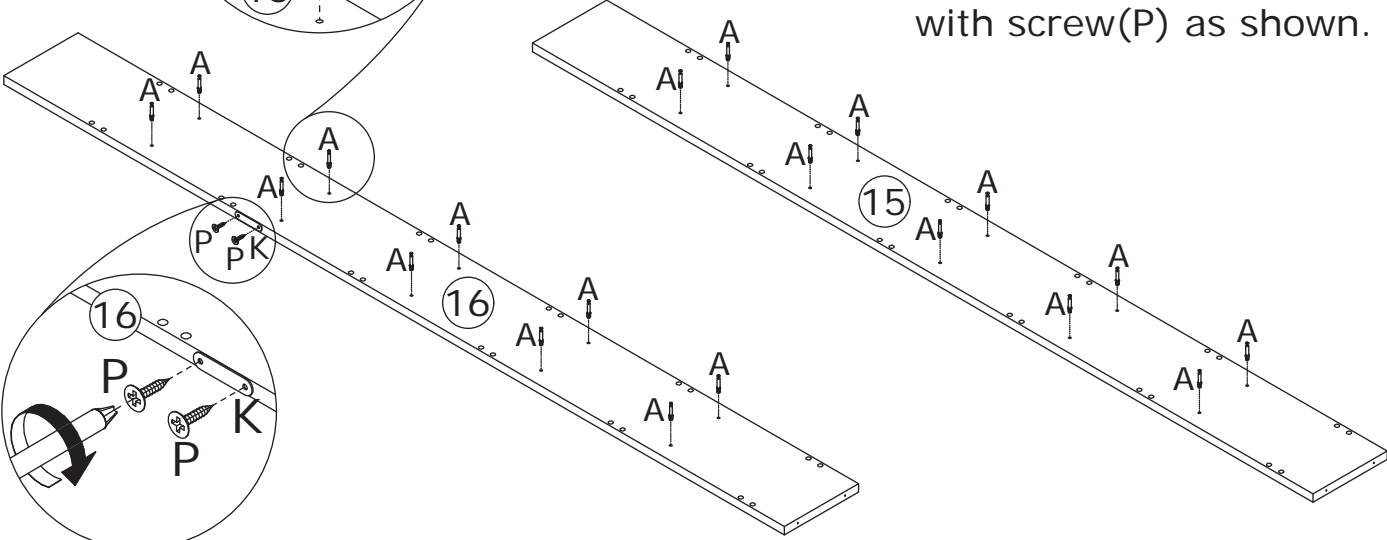
27



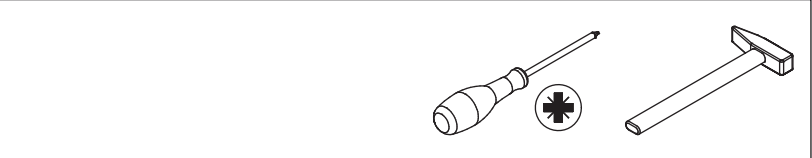
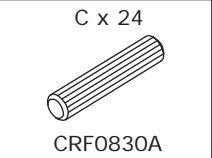
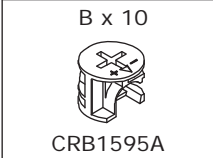
Screw eccentric rod(A) into board 15 and 16 as shown.



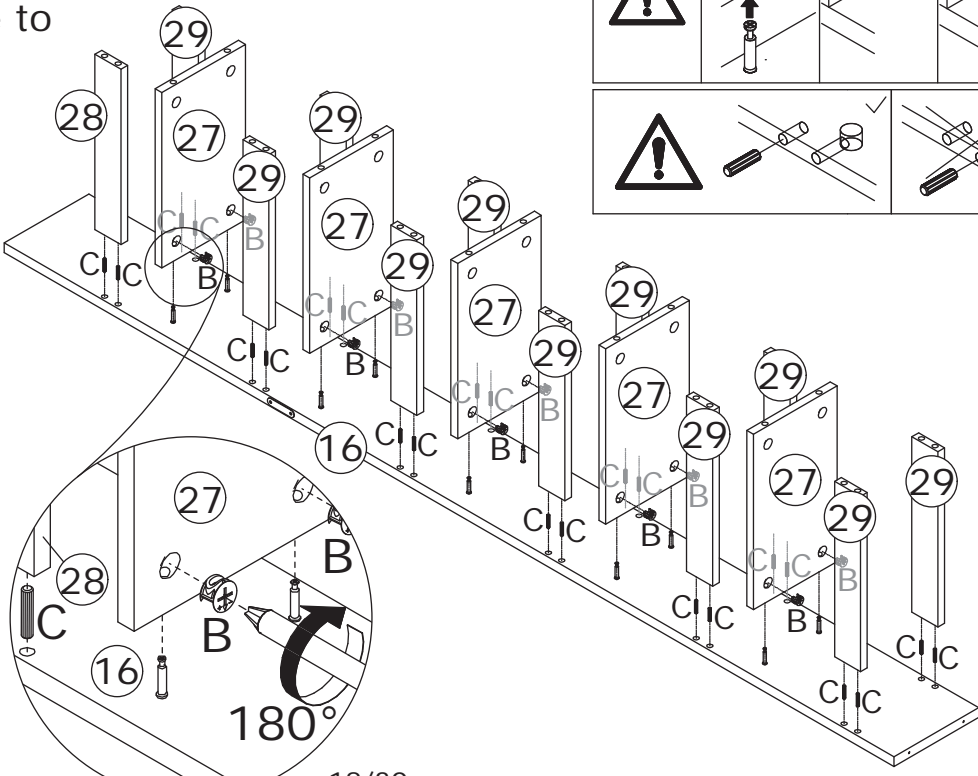
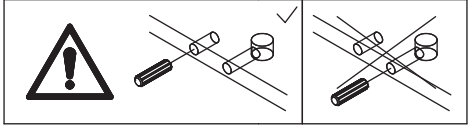
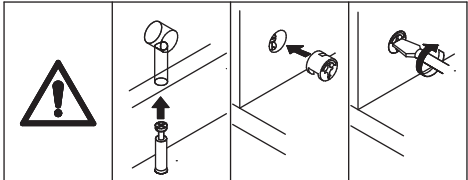
Fix part(K) to board 16 with screw(P) as shown.



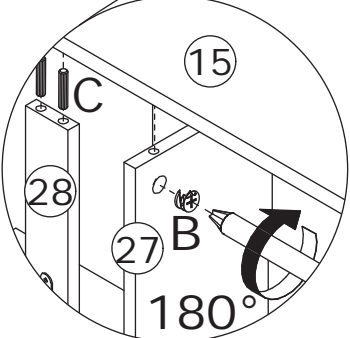
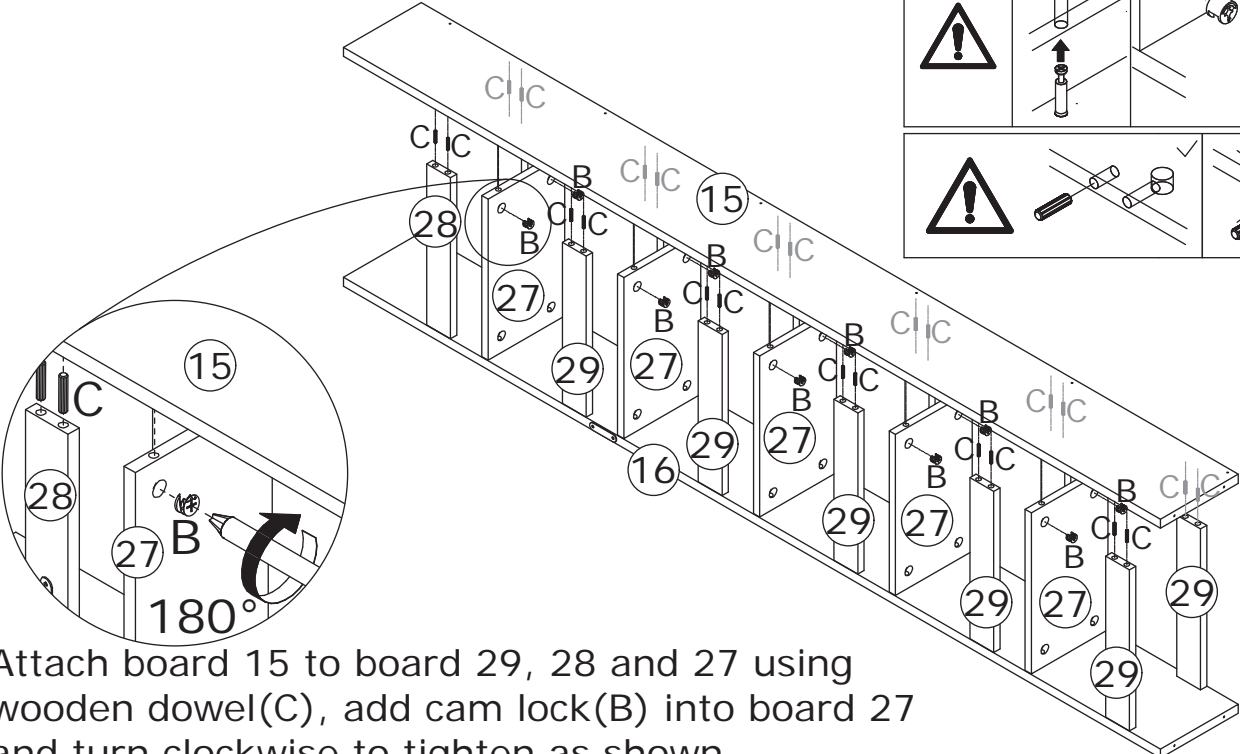
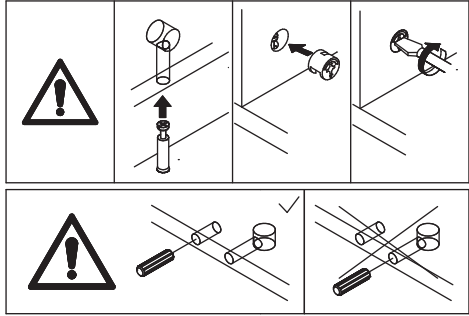
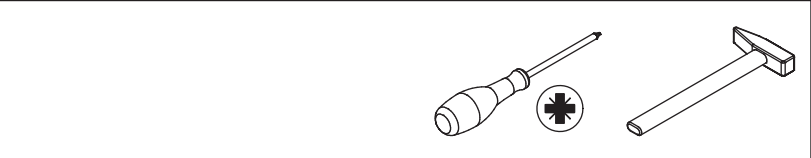
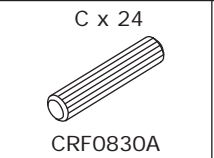
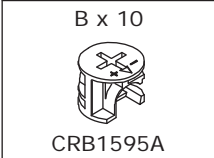
28



Attach board 29, 28 and 27 to board 16 using wooden dowel(C), add cam lock(B) into board 27 and turn clockwise to tighten as shown.

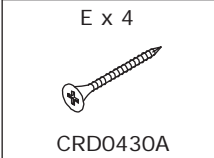


29

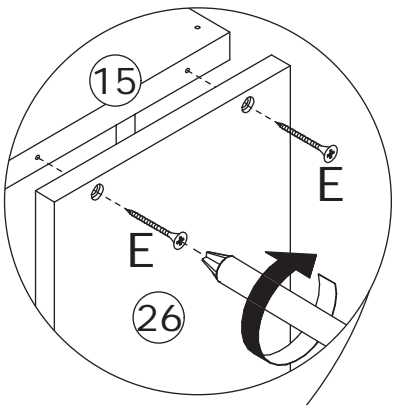
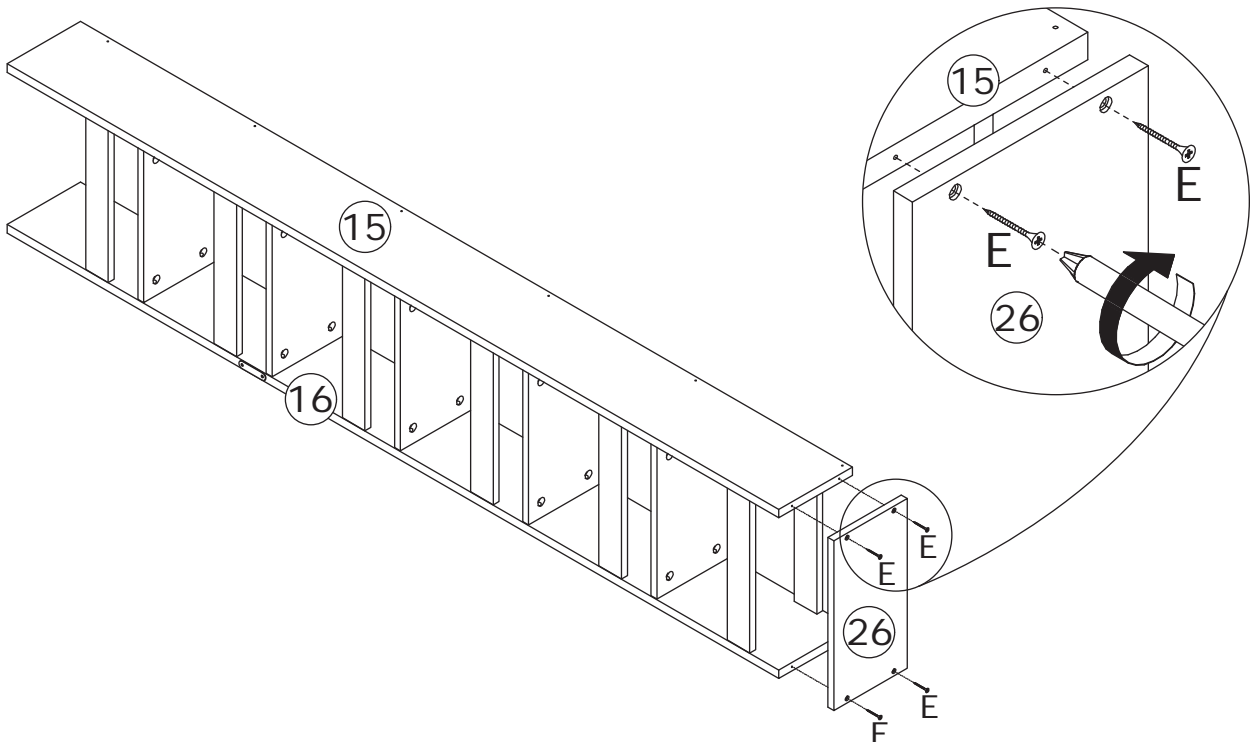


Attach board 15 to board 29, 28 and 27 using wooden dowel(C), add cam lock(B) into board 27 and turn clockwise to tighten as shown.

30

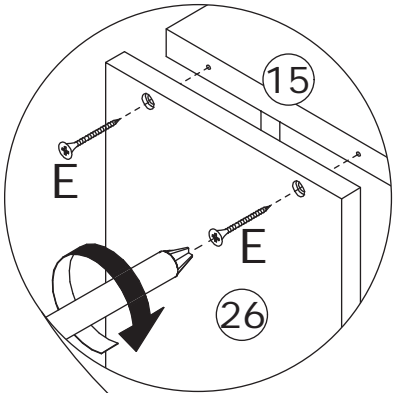
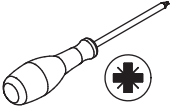


Fix board 26 to board 15 and 16 with screw(E) as shown.

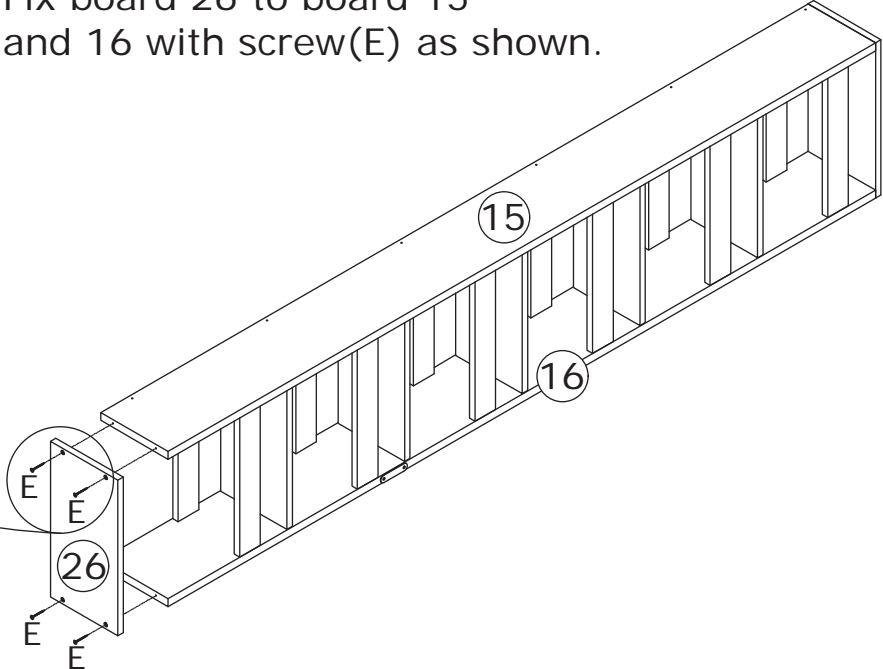


31

E x 4
CRD0430A



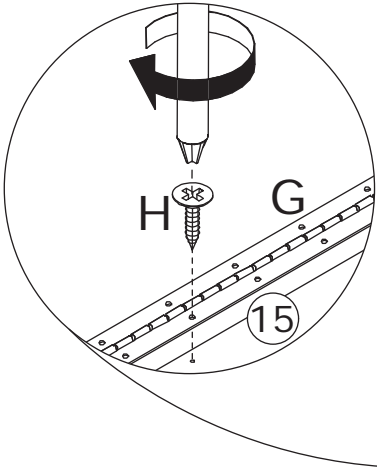
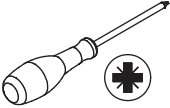
Fix board 26 to board 15 and 16 with screw(E) as shown.



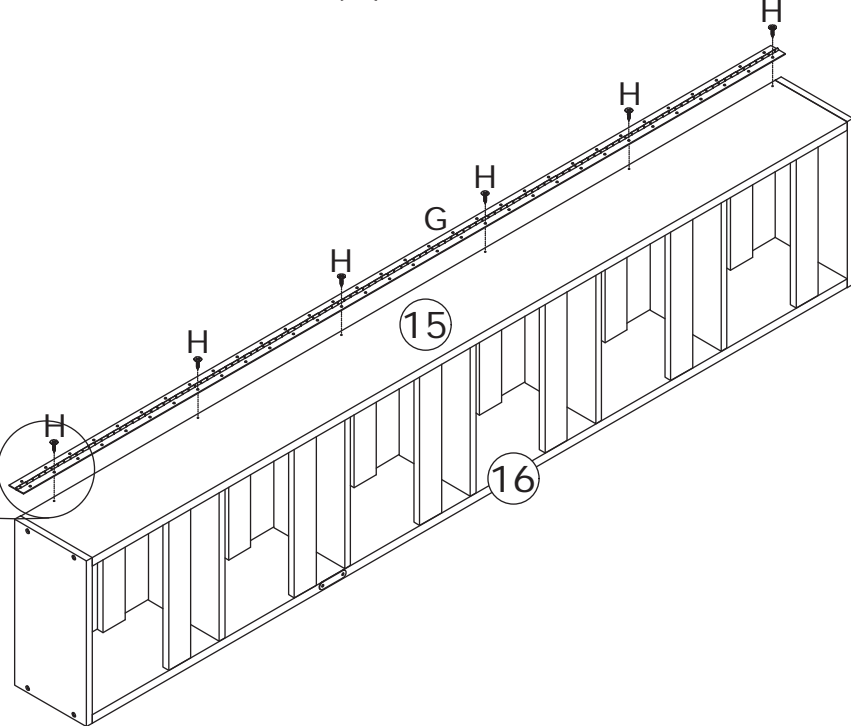
32

G x 1
1590 mm

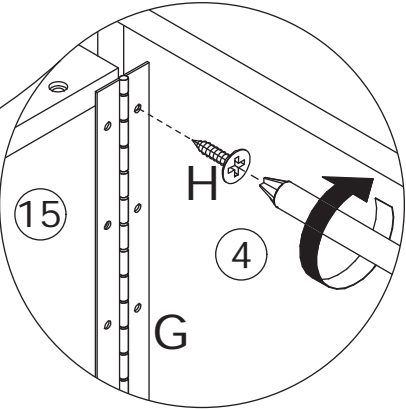
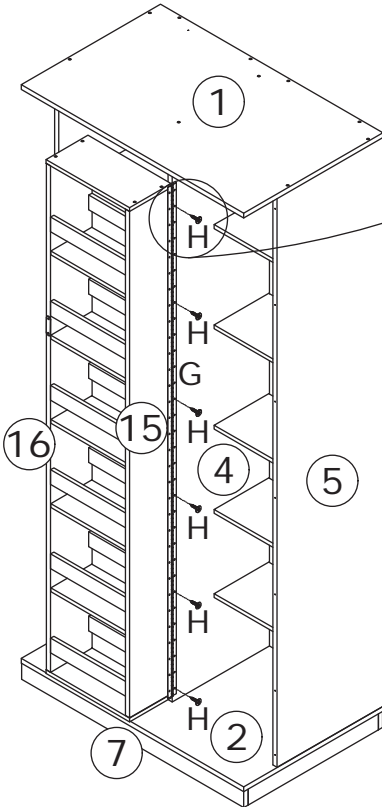
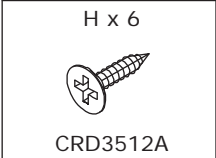
H x 6
CRD3512A



Fix hinge(G) to board 15 with screw(H) as shown.

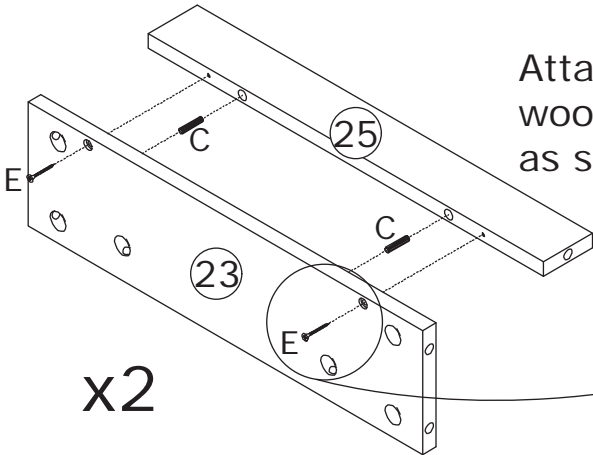
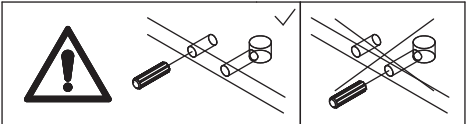
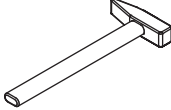
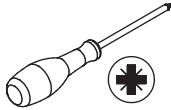
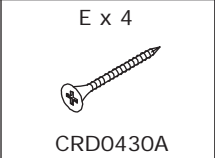
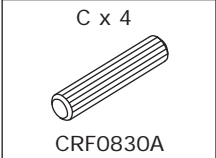


33

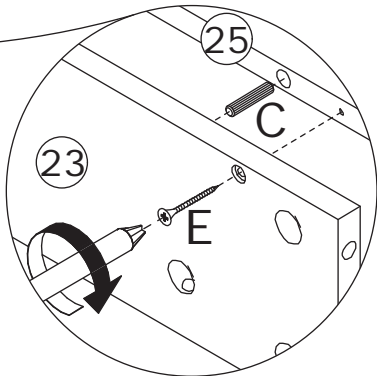


Fix the assembled hinge to board 4 with screw(H) as shown.

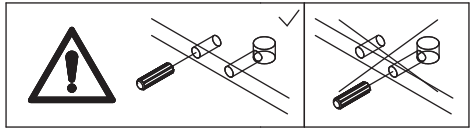
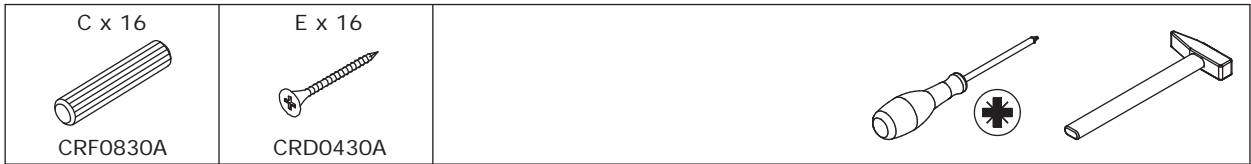
34



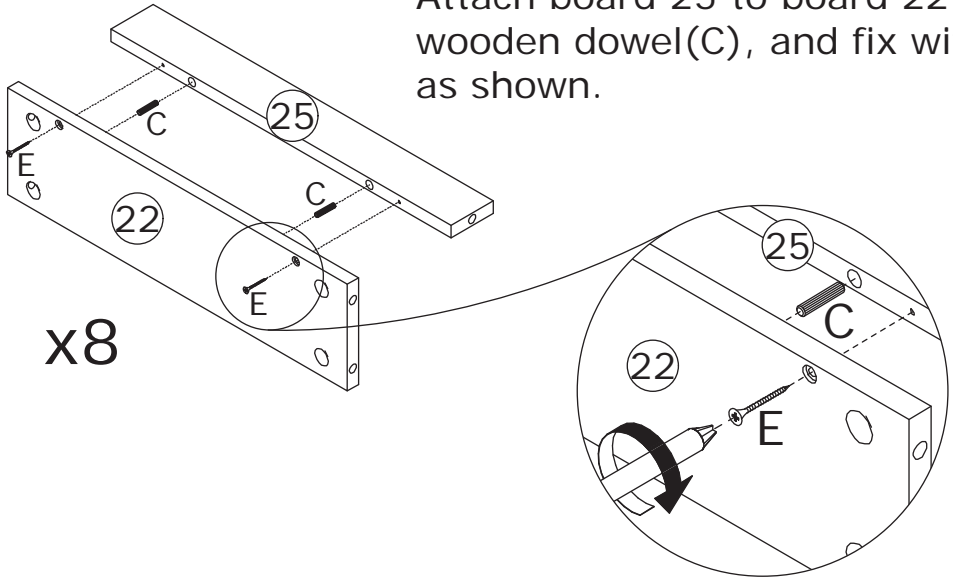
Attach board 23 to board 25 using wooden dowel(C), and fix with screw(E) as shown.



35

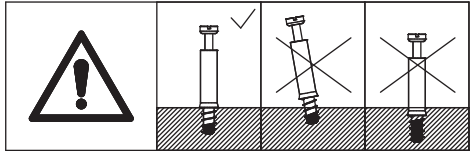
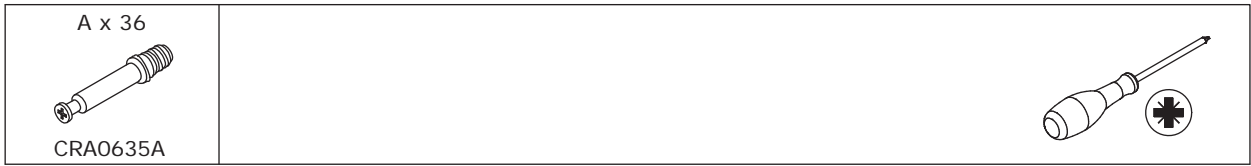


Attach board 25 to board 22 using wooden dowel(C), and fix with screw(E) as shown.

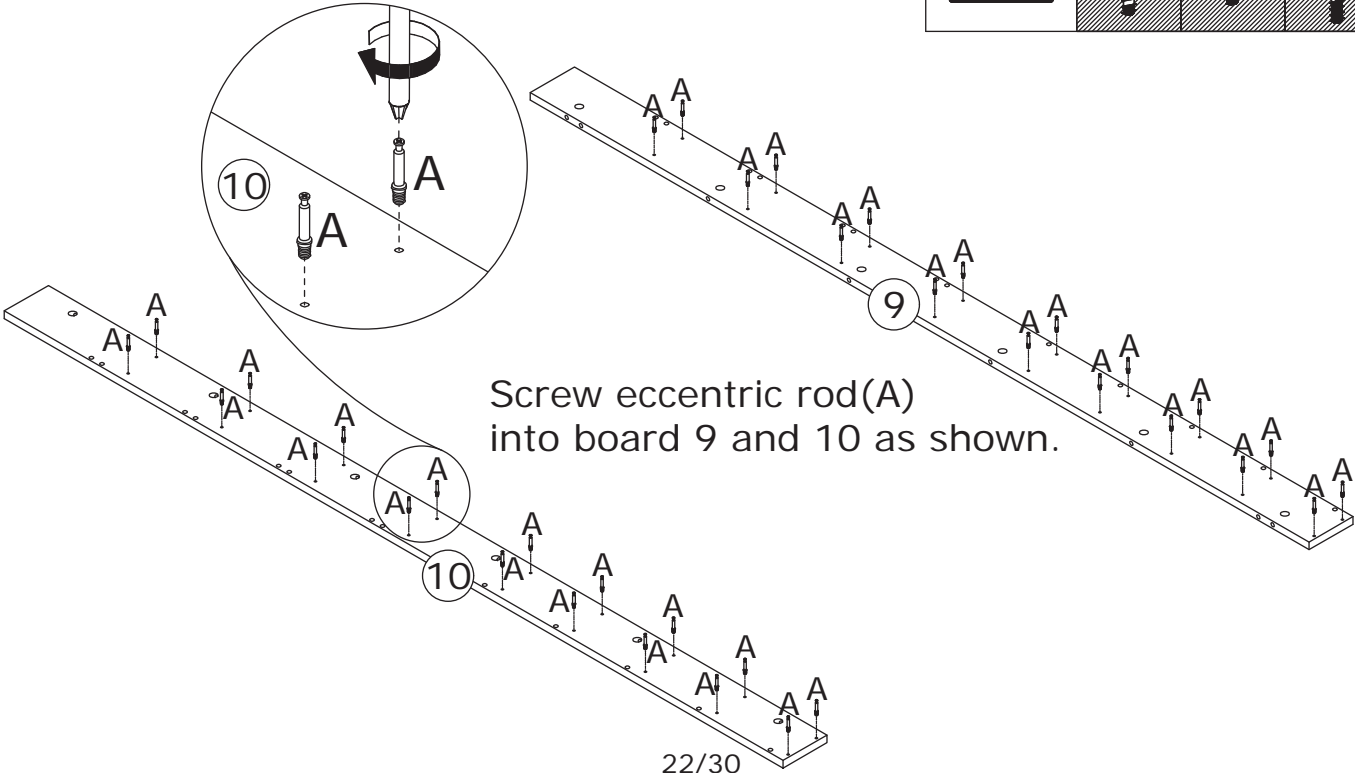


x8

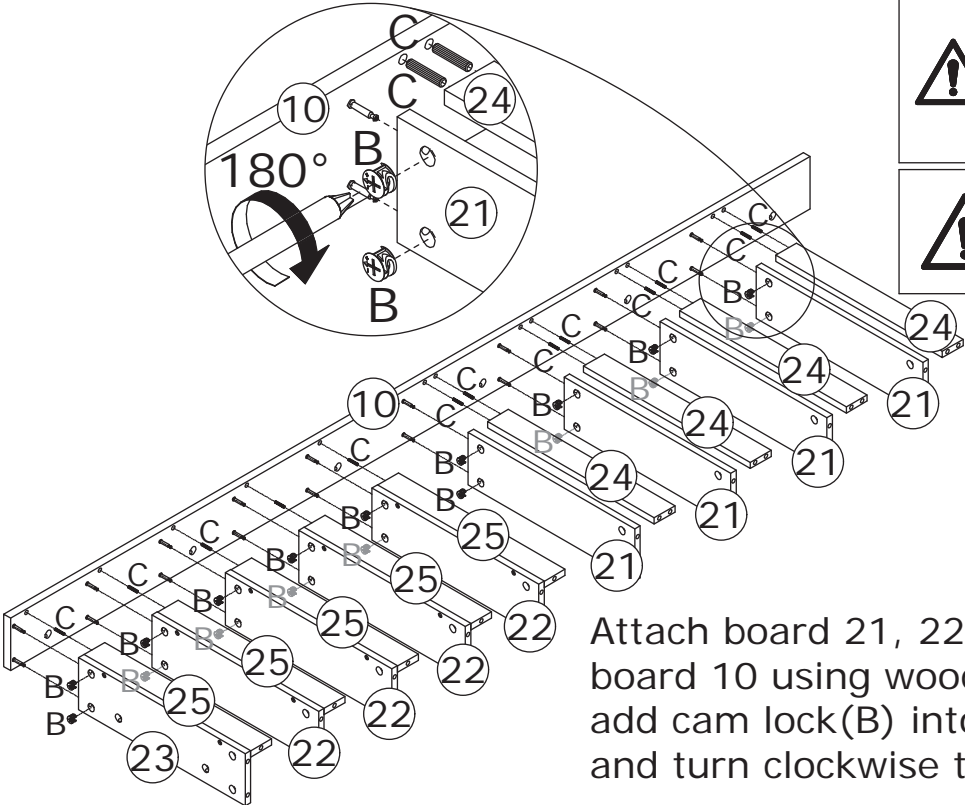
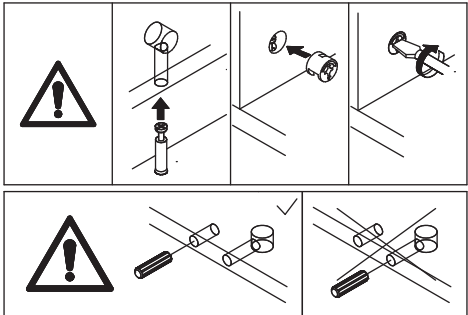
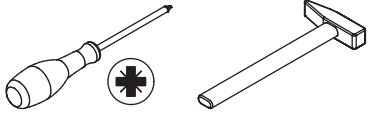
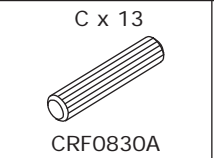
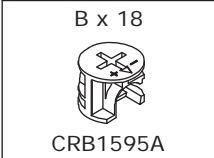
36



Screw eccentric rod(A) into board 9 and 10 as shown.

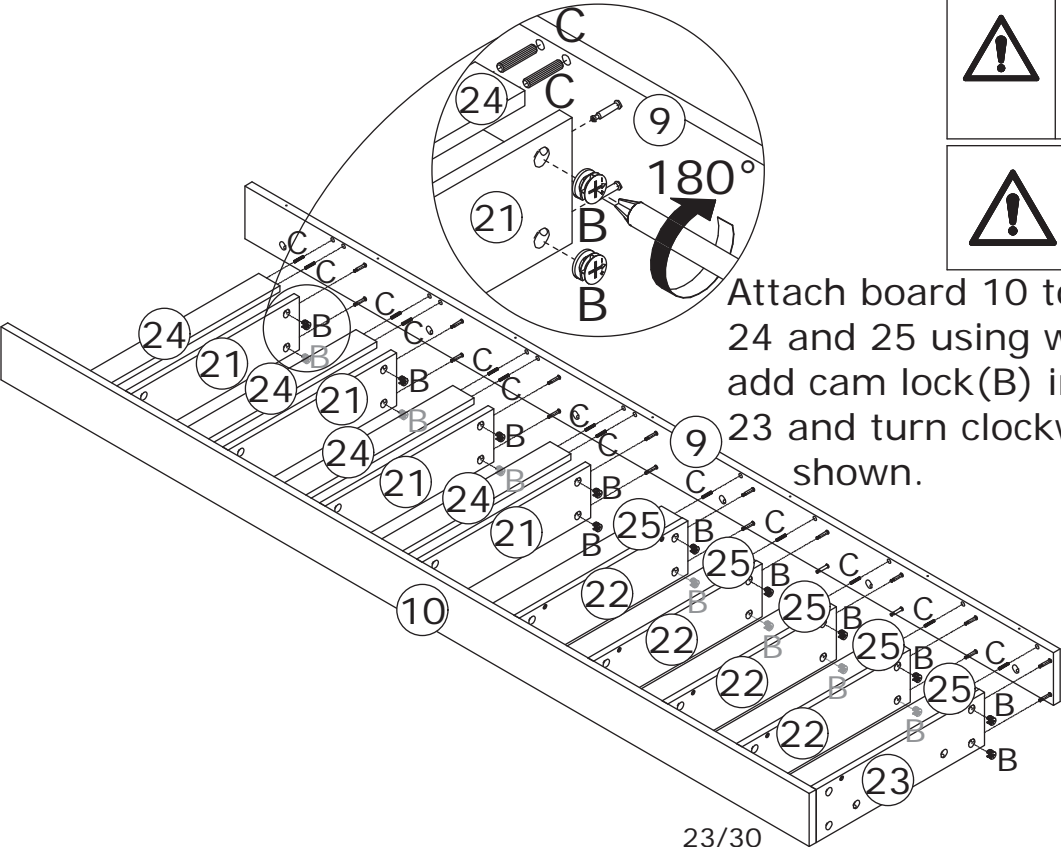
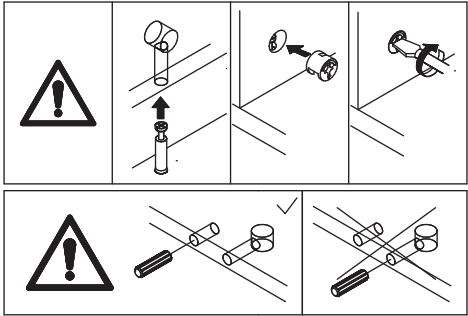
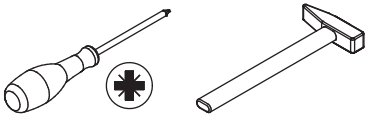
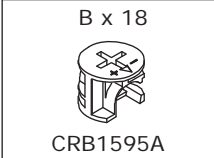


37



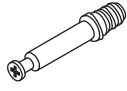
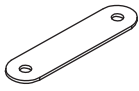
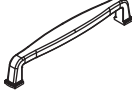

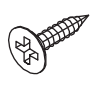
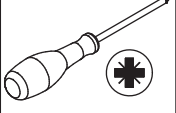
Attach board 21, 22, 23, 24 and 25 to board 10 using wooden dowel (C), add cam lock (B) into board 21, 22, 23 and turn clockwise to tighten as shown.

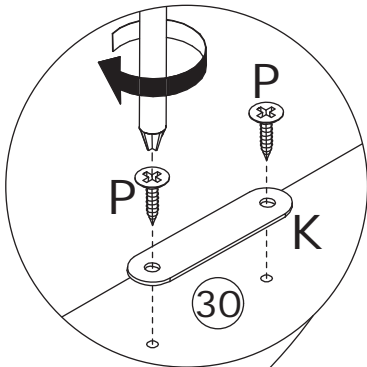
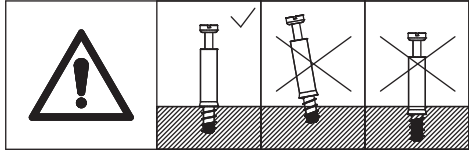
38



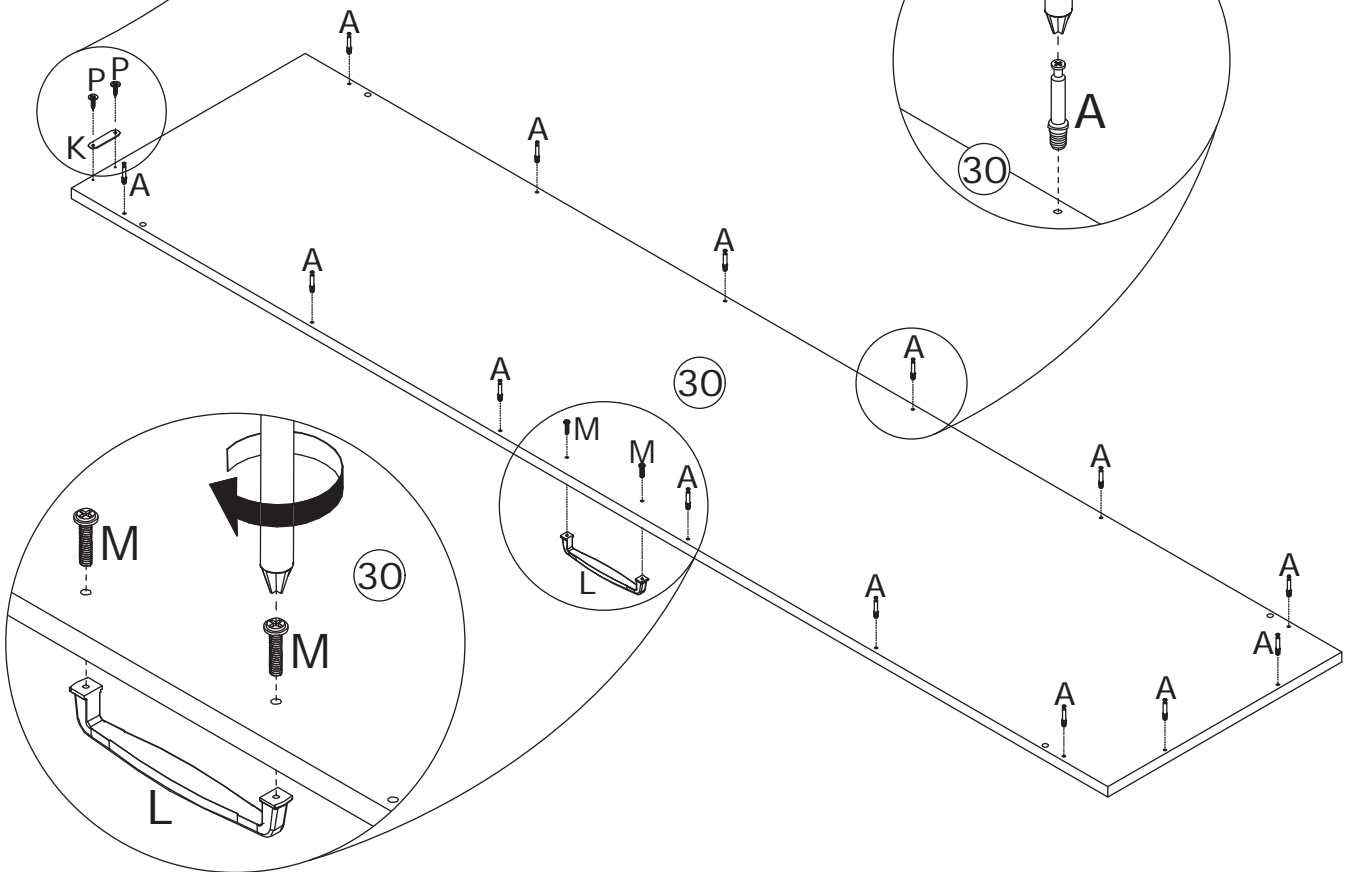
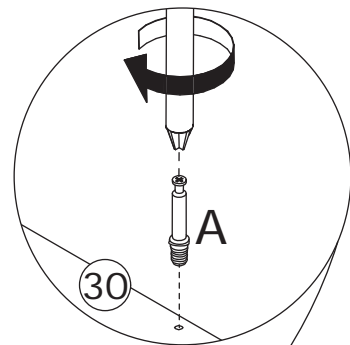
Attach board 10 to board 21, 22, 23, 24 and 25 using wooden dowel (C), add cam lock (B) into board 21, 22, 23 and turn clockwise to tighten as shown.

39

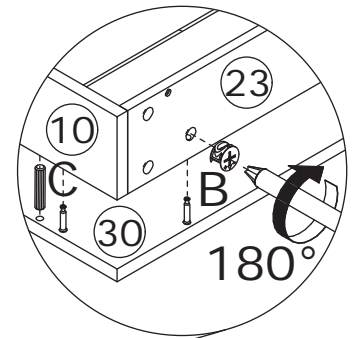
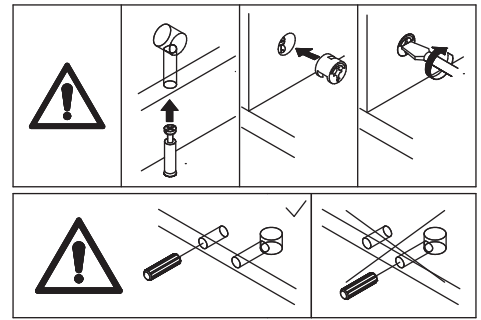
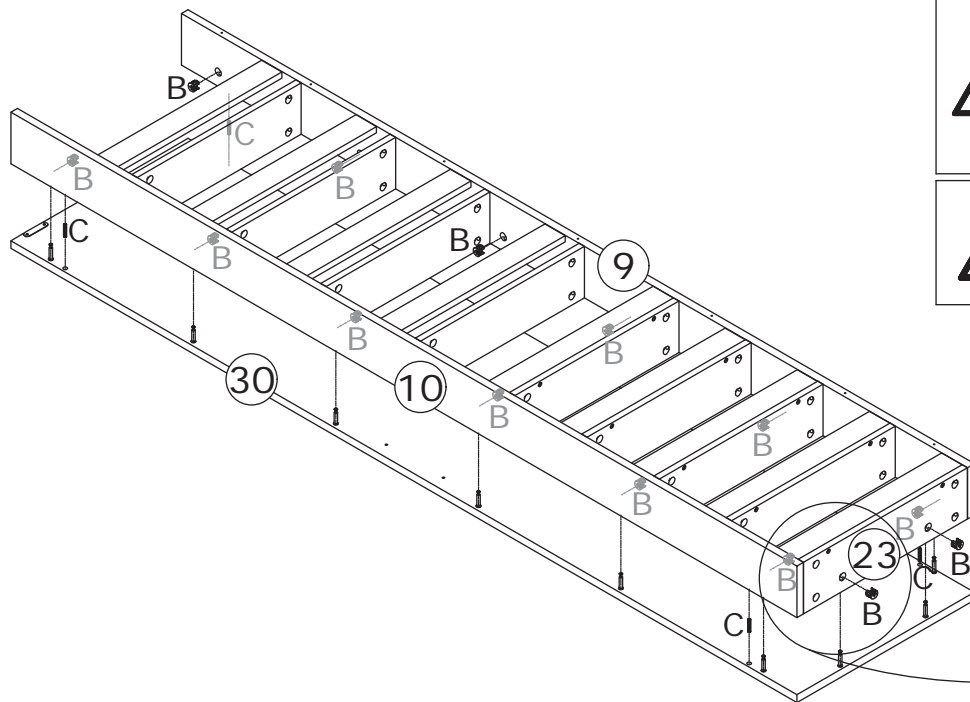
A x 14  CRA0635A	K x 1  50 x 12 x 1 mm	L x 1  128 mm	M x 2  CRE0418A	P x 2  CRD0312A	
---	--	--	---	--	---



Screw eccentric rod(A)
into board 30 as shown.
Fix handle(L) with screw(M),
part(K) with screw(P) as shown.

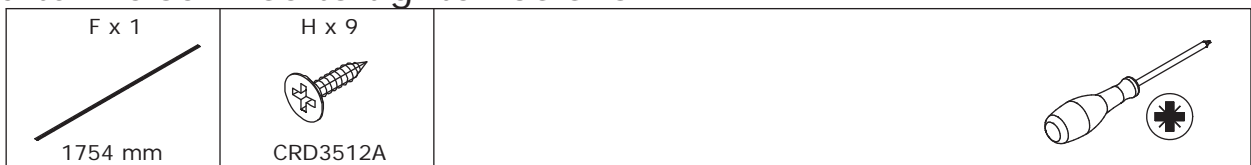


40

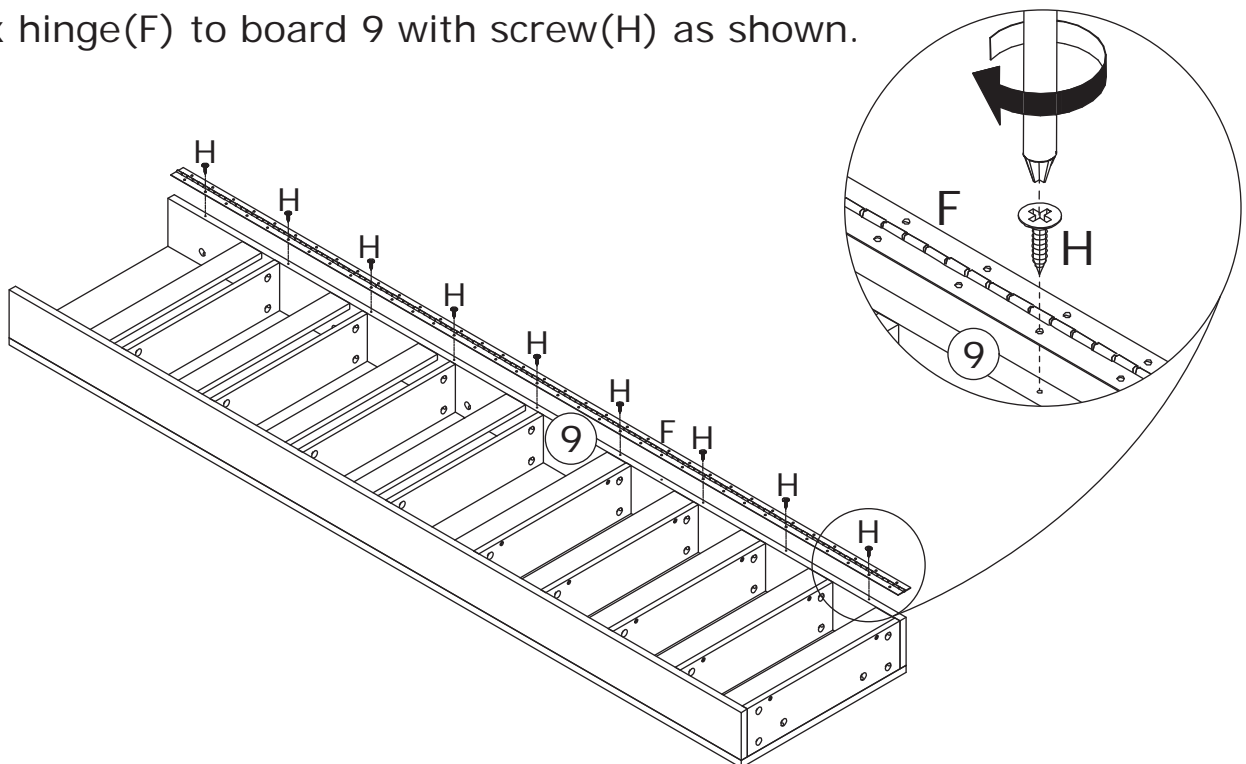


Insert wooden dowel(C) into board 9 and 10 at first.
Attach the component to board 30, add cam lock(B)
into and turn clockwise to tighten as shown.

41

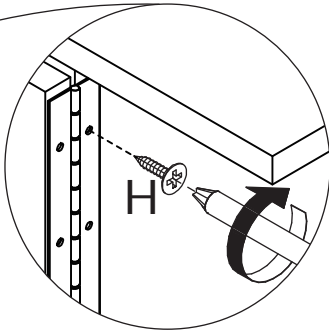
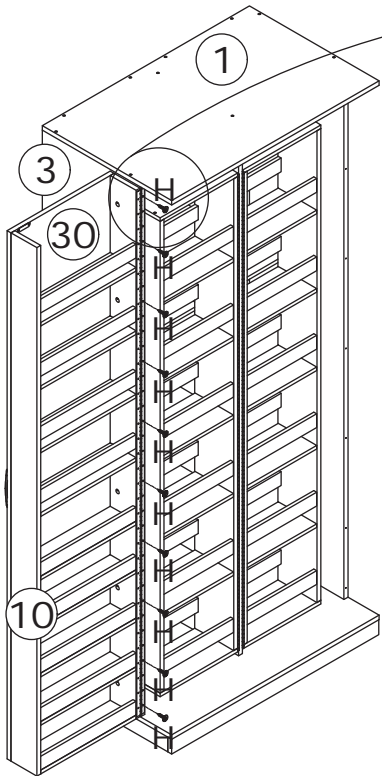
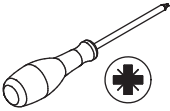


Fix hinge(F) to board 9 with screw(H) as shown.



42

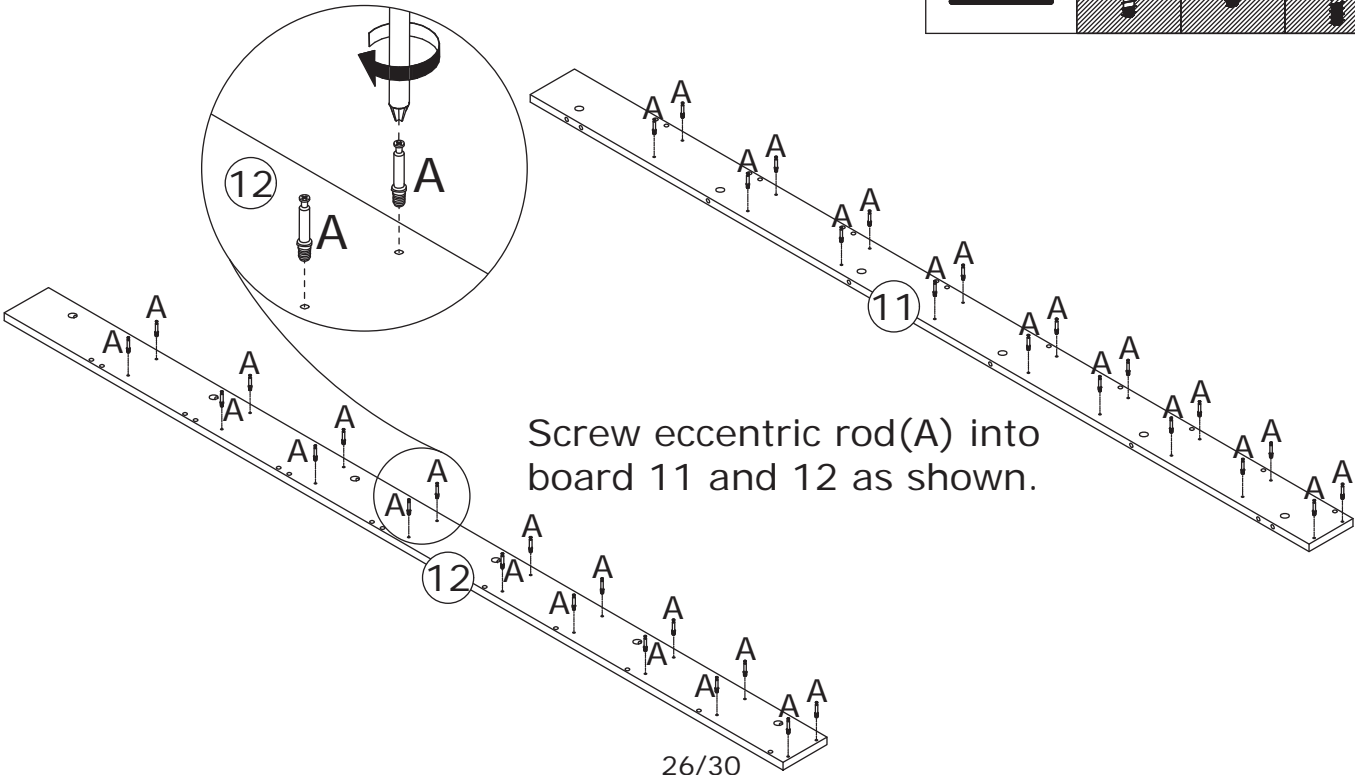
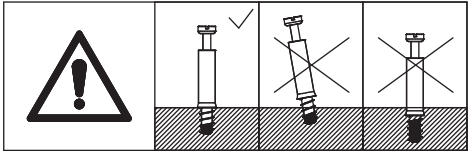
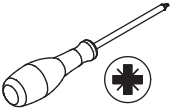
H x 10
CRD3512A



Fix the assembled hinge to board 3 with screw(H) as shown.

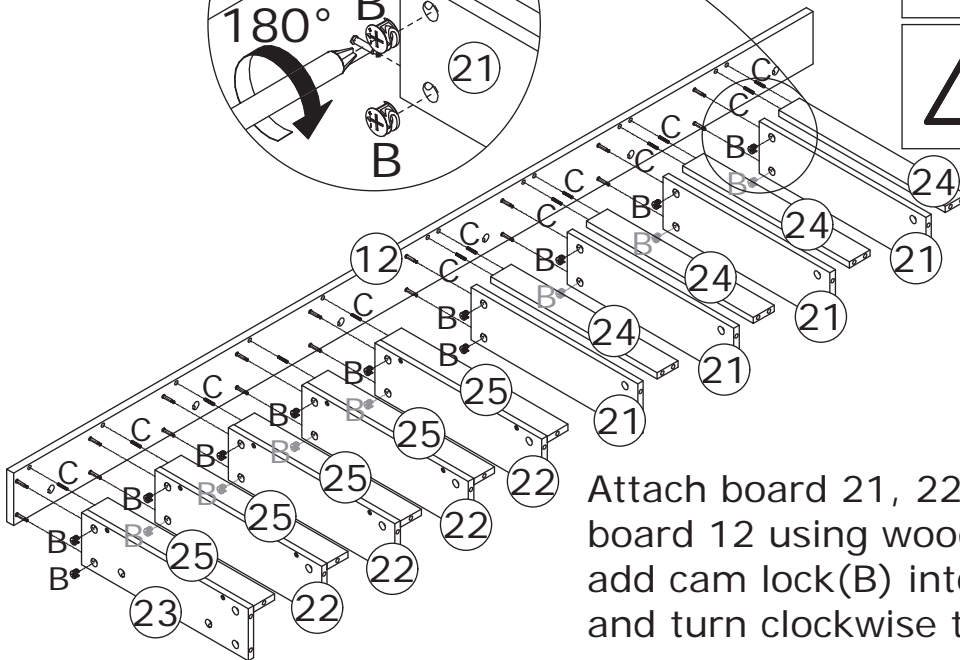
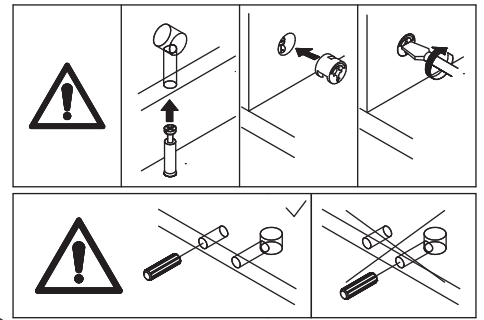
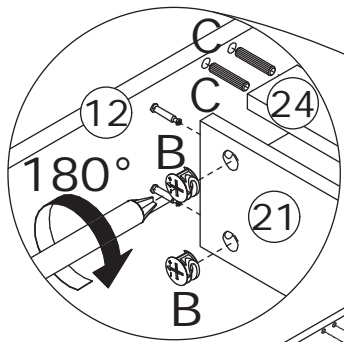
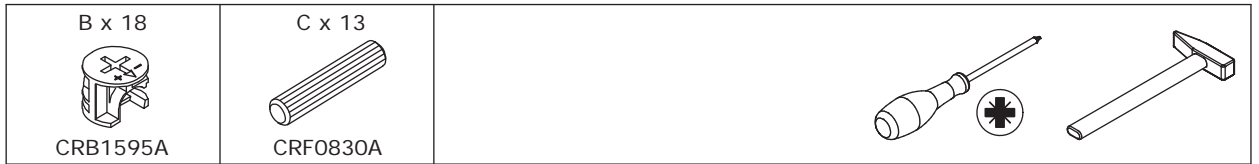
43

A x 36
CRA0635A



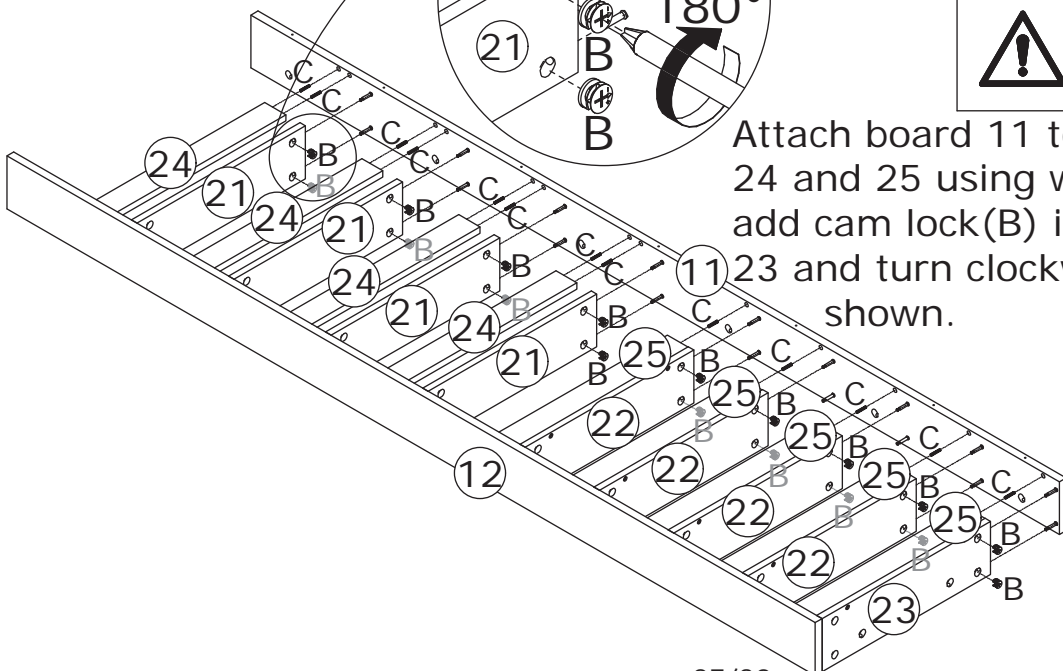
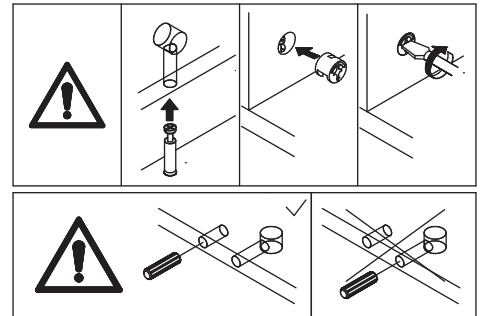
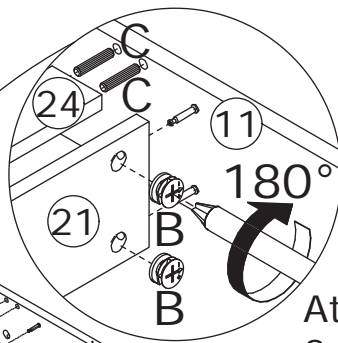
Screw eccentric rod(A) into board 11 and 12 as shown.

44



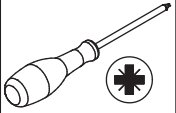
Attach board 21, 22, 23, 24 and 25 to board 12 using wooden dowel(C), add cam lock(B) into board 21, 22, 23 and turn clockwise to tighten as shown.

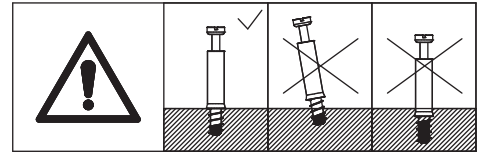
45



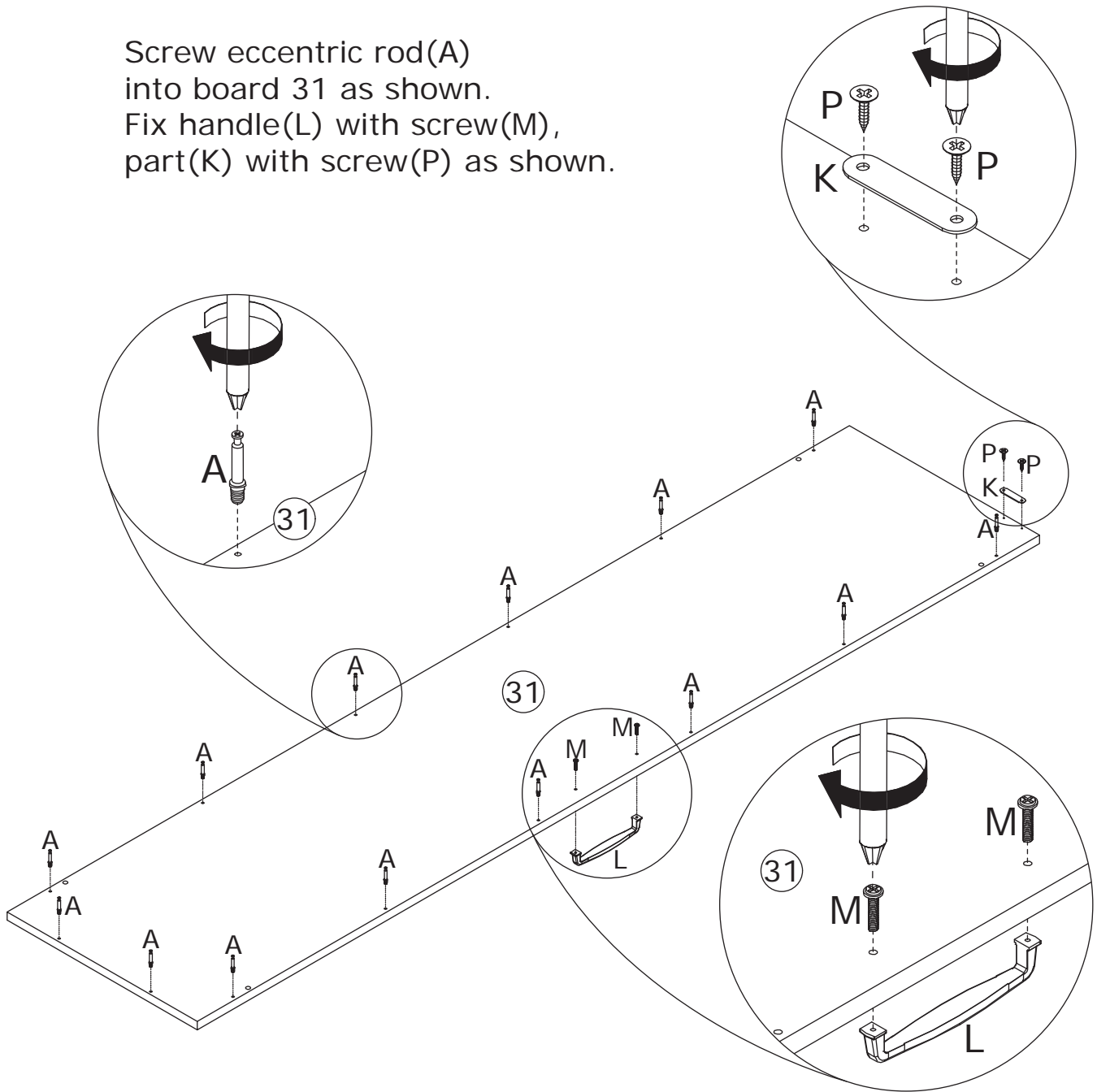
Attach board 11 to board 21, 22, 23, 24 and 25 using wooden dowel(C), add cam lock(B) into board 21, 22, 23 and turn clockwise to tighten as shown.

46

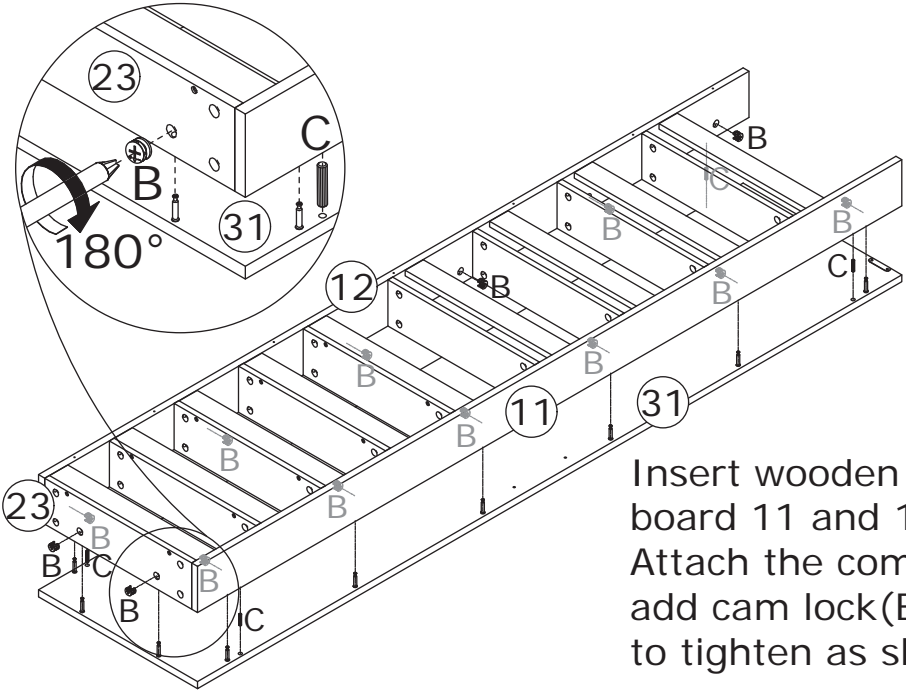
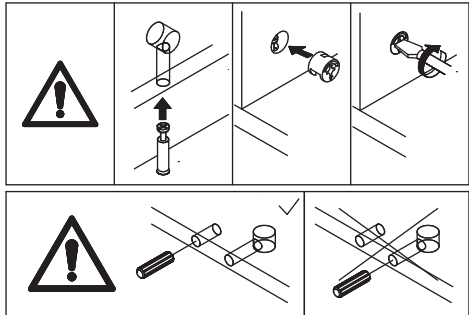
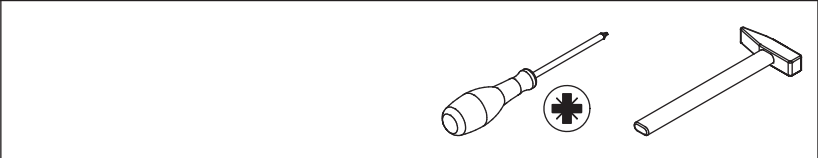
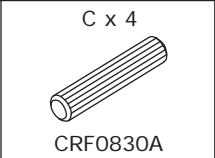
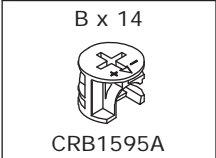
A x 14 CRA0635A	K x 1 50 x 12 x 1 mm	L x 1 128 mm	M x 2 CRE0418A	P x 2 CRD0312A	
--------------------	-------------------------	-----------------	-------------------	-------------------	---



Screw eccentric rod(A)
into board 31 as shown.
Fix handle(L) with screw(M),
part(K) with screw(P) as shown.

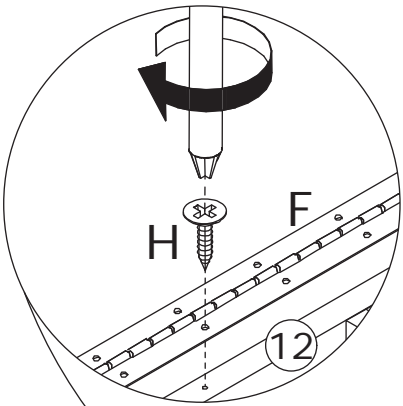
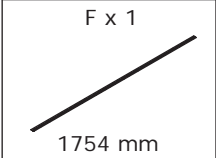


47

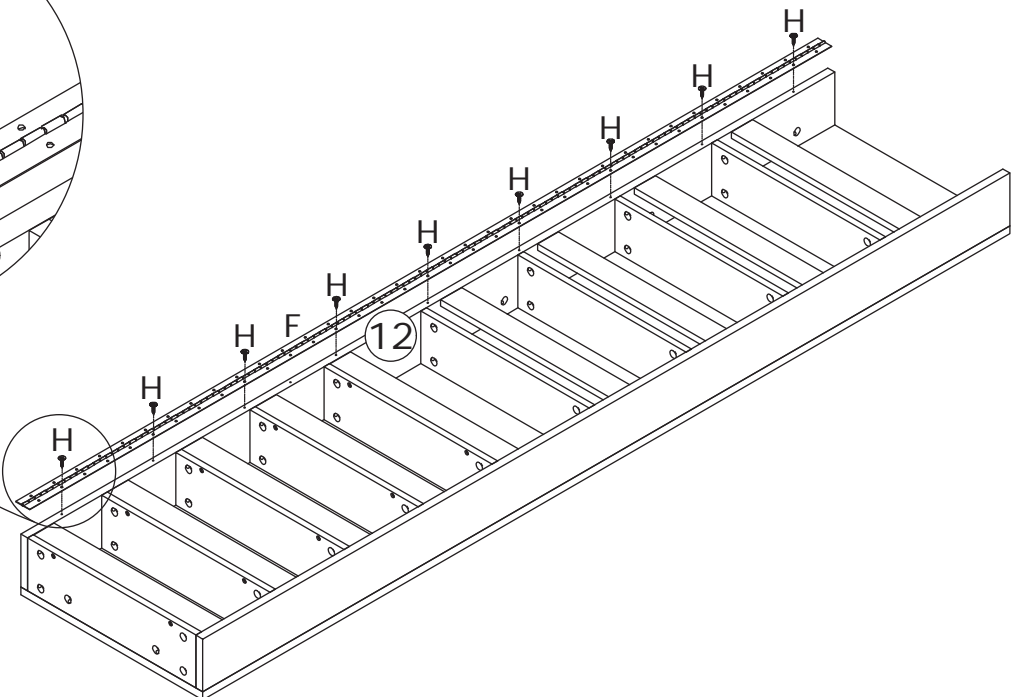


Insert wooden dowel(C) into board 11 and 12 at first.
Attach the component to board 31, add cam lock(B) into and turn clockwise to tighten as shown.

48

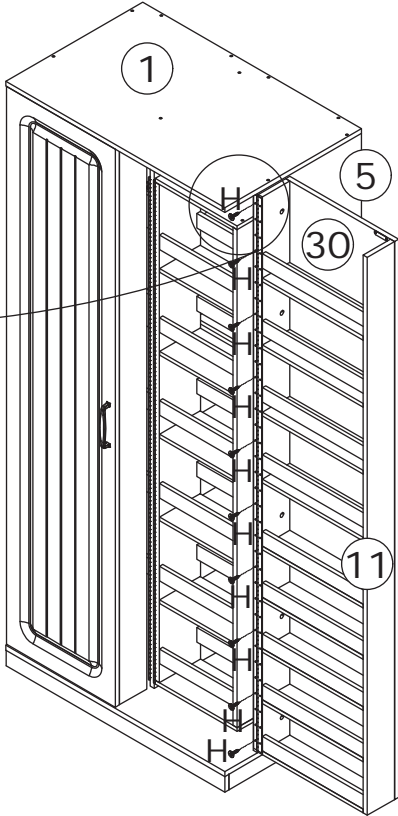
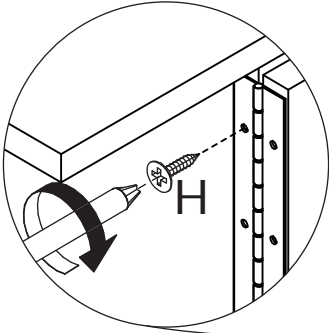
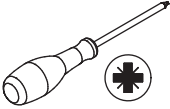


Fix hinge(F) to board 12 with screw(H) as shown.



49

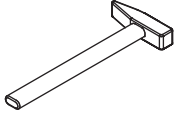
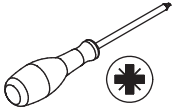
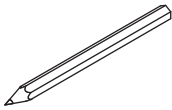
H x 10
CRD3512A



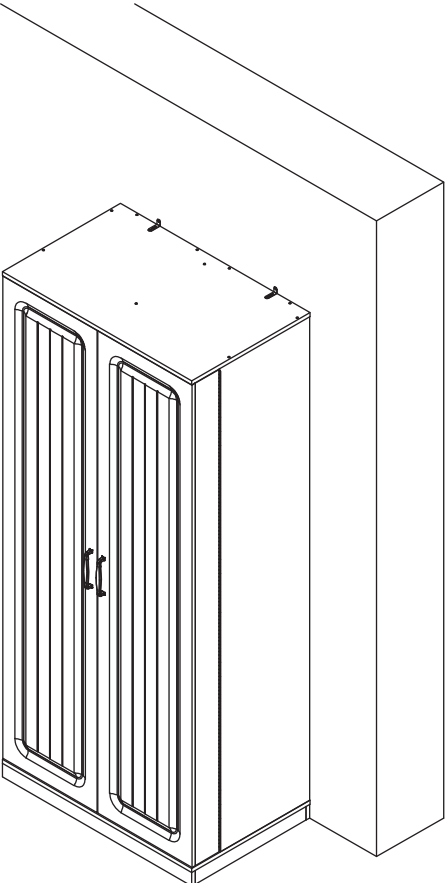
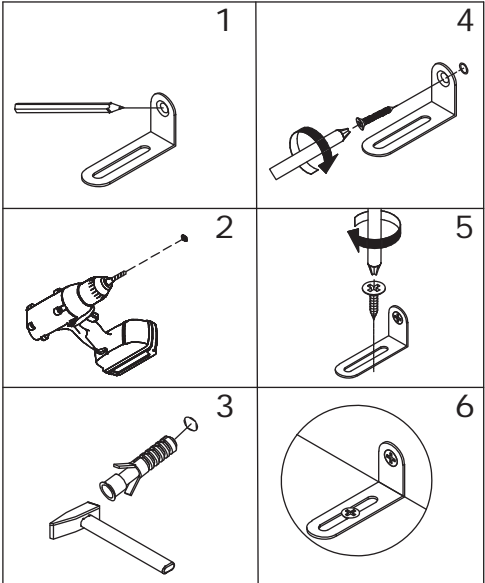
Fix the assembled hinge to board 5 with screw(H) as shown.

50

N x 2



Install anti-tipping device as shown.



WARRANTY

WARRANTY CLAIMS

- There is a 30-day warranty for broken furniture or any other problems that do not work properly. The warranty will start from the date of purchase which must be verified by proof of purchase.
- Before making a claim, we may be able to answer your query, simply call us. Please leave your purchase order number, along with some details of the problem, if you want a replacement part. We will arrange within 48 hours. If there is out of stock, we will reply with a shipping date.
- The product must be used in accordance with the instructions provided. For health reasons.
- For other reasons, if the furniture needs to be returned, it must be cleaned and dried and operated within 30 days of receipt.

Type of Warranty Claim

- Failure to follow the furniture instructions will invalidate the warranty. Attention please.
- Does not include damage during installation, but includes damage during transportation.

Scope of responsibility

- Shall not bear any responsibility for misuse or user damage and / or loss of parts during the installation of furniture.
- After using, the damage and scratches of the furniture are not covered by the warranty.

The Warranty Relates to All Bought in The Us and Covers The Following Areas

- Sheet parts: 1 month from the date of purchase.
- Electrical parts: 1 month from the date of purchase.

RETURNS

CHANGED YOUR MIND AND NEED TO RETURN YOU ITEM?

PLEASE FOLLOW THE BELOW INSTRUCTIONS:

- If you have purchased and have simply changed your mind, follow the retailer's instructions for returns.

DEFECTIVE ITEMS

- If your item is defective in any way, i.e. it doesn't work but you can't identify why, in the first instance, please call us.

DAMAGED ITEMS

- If you receive an order with obvious shipping damage from the retailer, then we suggest the delivery is refused. If the delivery has been accepted and then shipping damage is found, please follow the specific instructions advised by the retailer.
In all circumstances please save all packaging material and paperwork for the order. Please be aware that if you dispose of packaging material or attempt to return the merchandise without contacting the fulfiller, you jeopardise your chances of making a claim, and you may not receive a credit for the return.

AFTER-SALES CONTACT