

Please have the following information ready when you contact us, so we can assist you promptly.

- Order number or PO number (you can find the info on your invoice, receipt or platform account).
- The model number of the product (printed on the package box).
- Description of the part from the parts list.




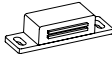

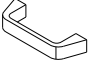
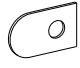

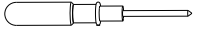
-
- Read entire assembly manual,paying special attention to the important tips and safety information .
 - Ensure there are no missing pieces by first separating and identifying all parts.
 - Make sure to check packing material for small parts that may have fallen out during shipment.
 - Structures are not intended for public use.The Company does not warranty any of its residential structures subjected to commercial use such as:Daycare,Preschool,Nursery School,Recreational Park,or any similar Commercial Application.
 - This manual contains helpful information concerning assembly preparation,installation procedure and required maintenance.
 - Always keep safety in mind as your structure is being built.
 - Keep these instructions for future reference.

TOOLS REQUIRED

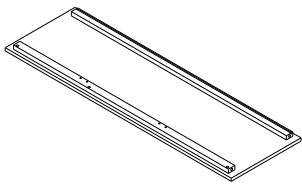
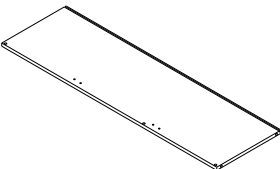
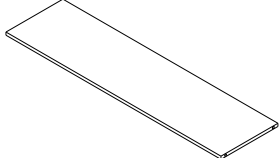
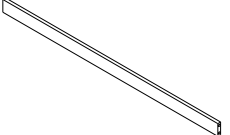
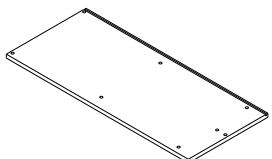
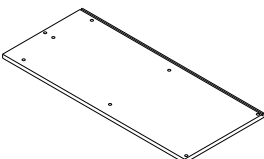
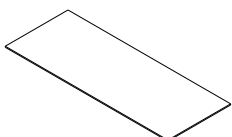

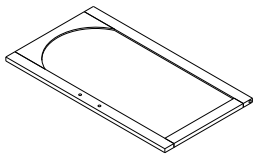
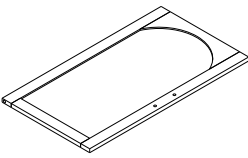
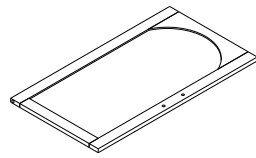


PHILLIPS
SCREWDRIVER

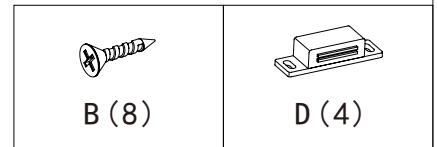
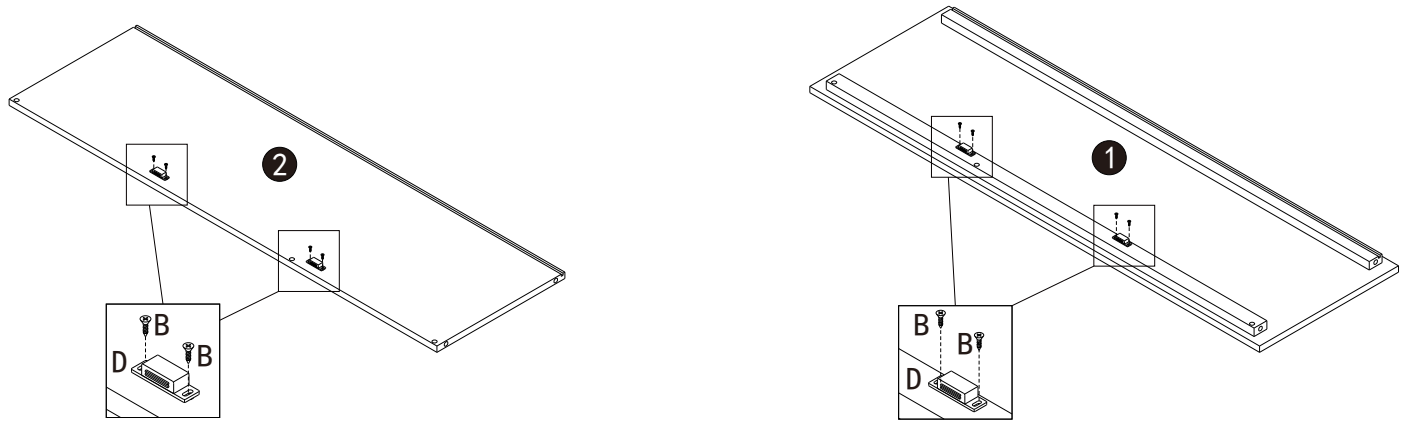
HARDWARE

 A (16)	 B (14)	 C (6)	 D (4)	 E (6)
 F (3)	 G (6)	 H (1)	 I (1)	

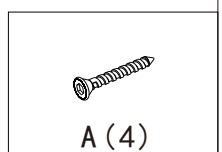
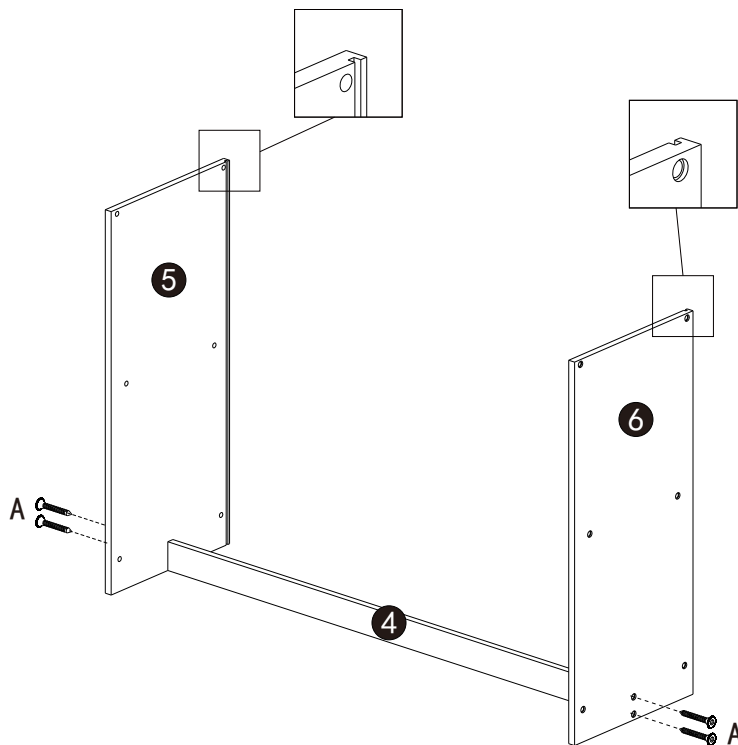
PARTS

 ① X1	 ② X1	 ③ X1	 ④ X1
 ⑤ X1	 ⑥ X1	 ⑦ X4	 ⑧ X3
 ⑨ X1	 ⑩ X1	 ⑪ X1	

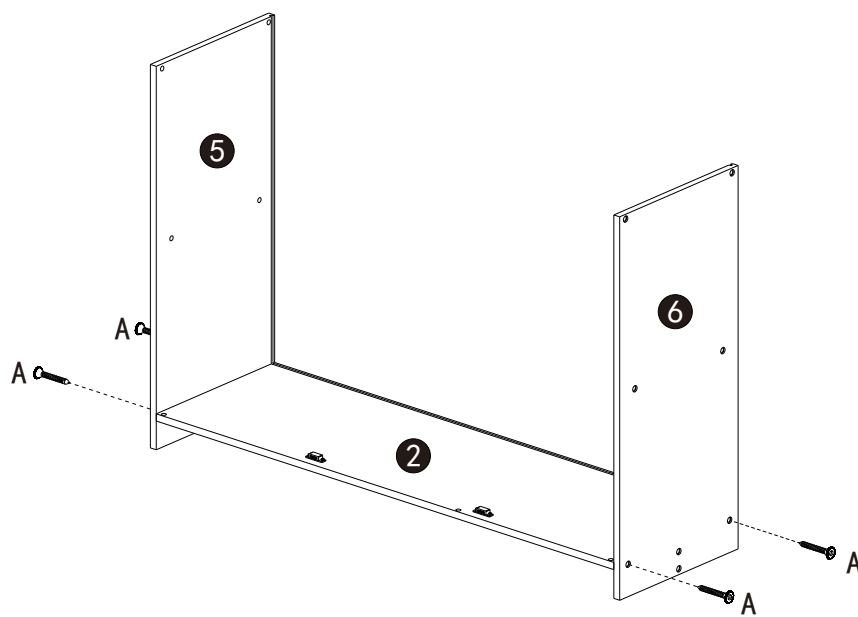
Step 1



Step 2

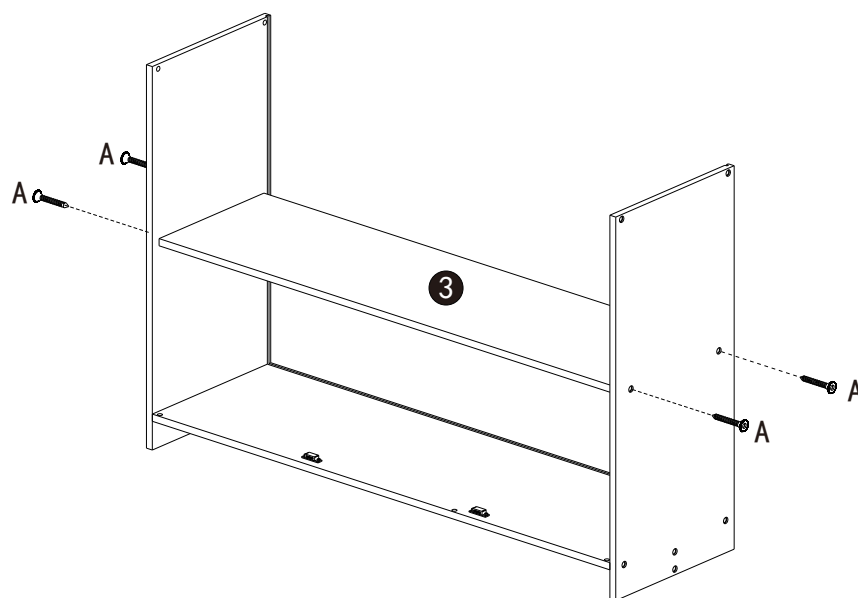


Step3



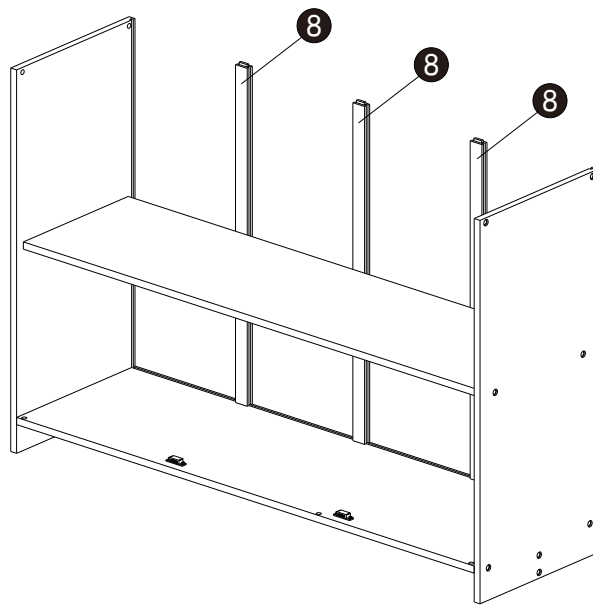
A (4)

Step4

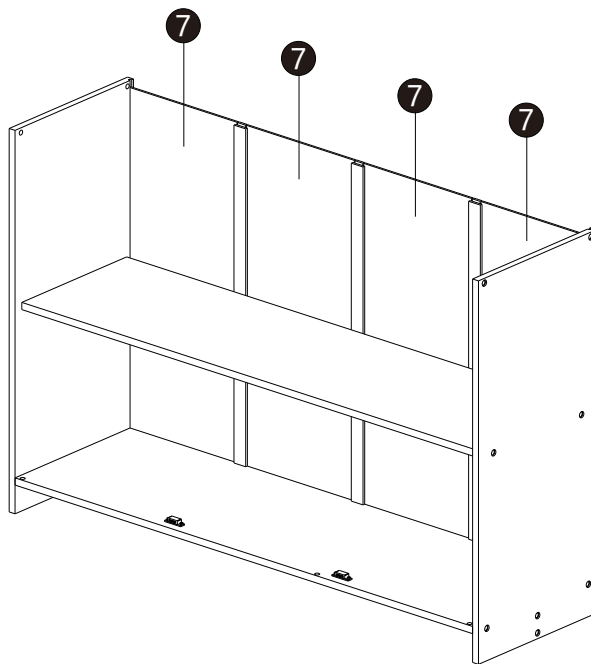


A (4)

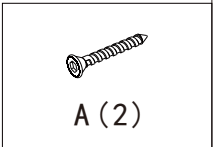
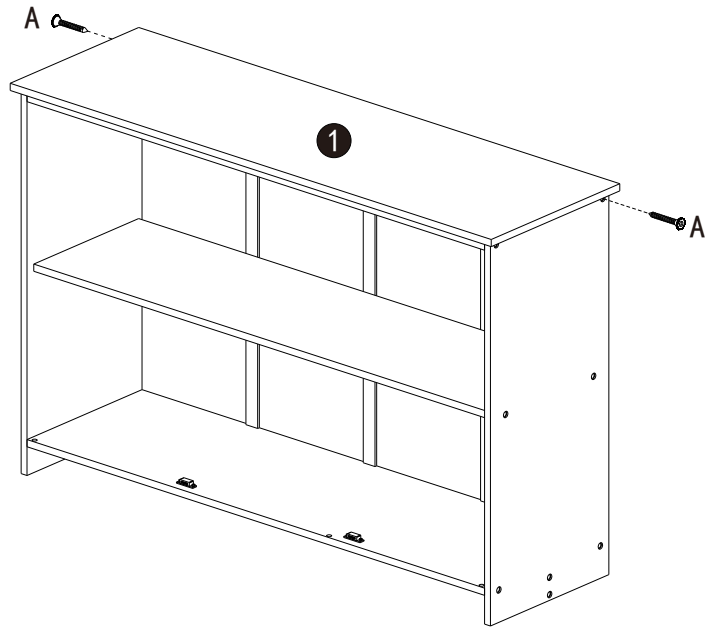
Step 5



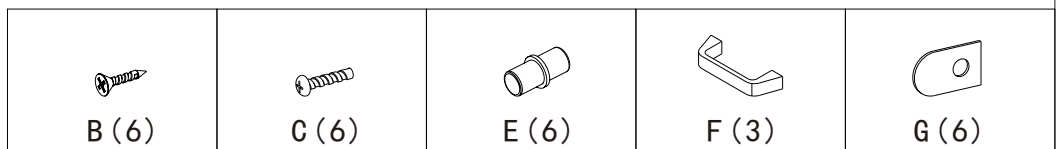
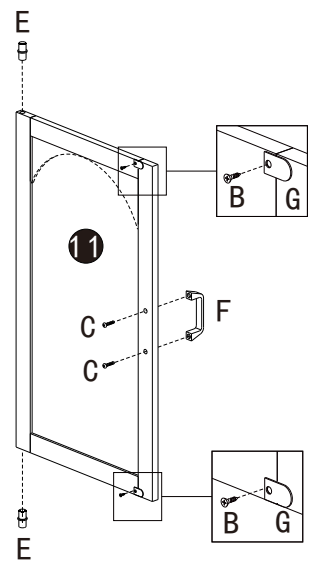
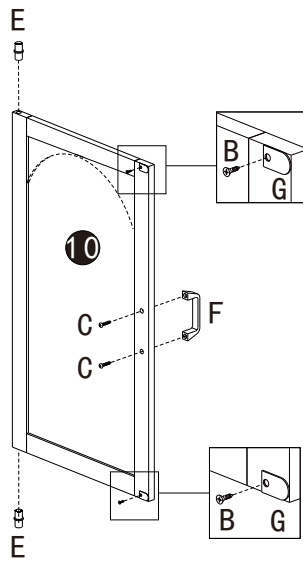
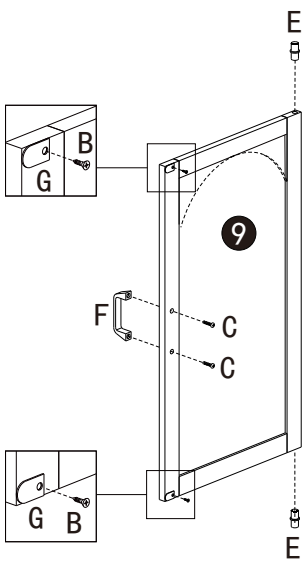
Step 6



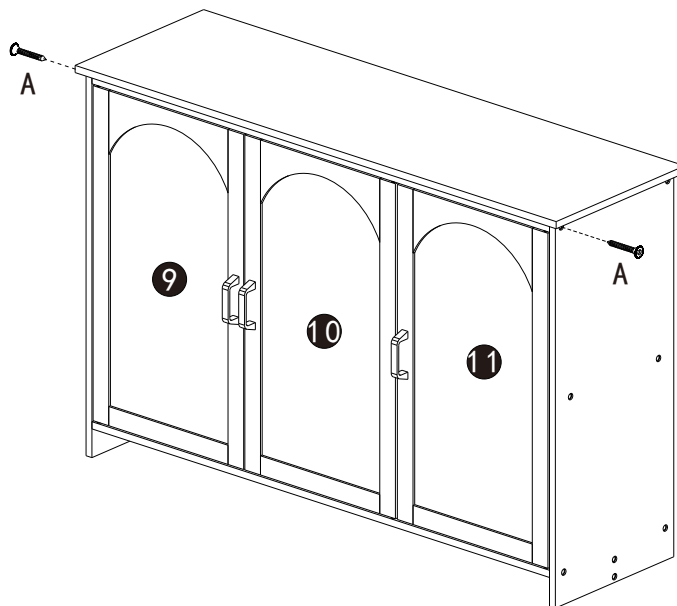
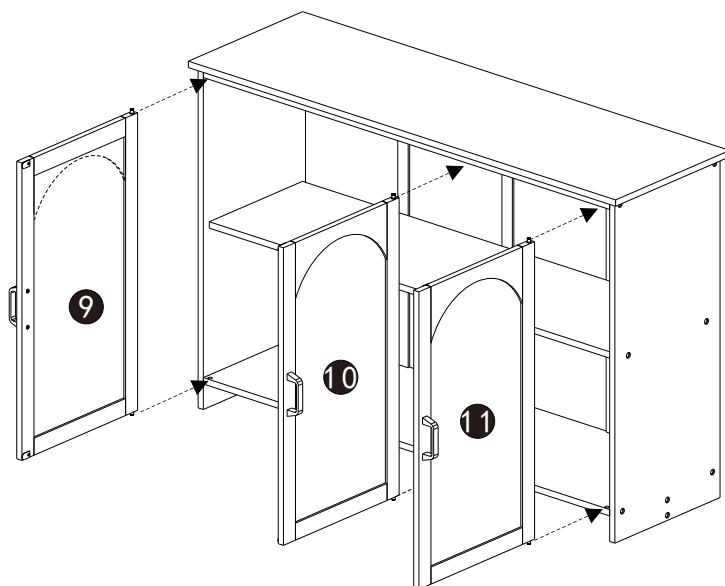
Step 7



Step 8

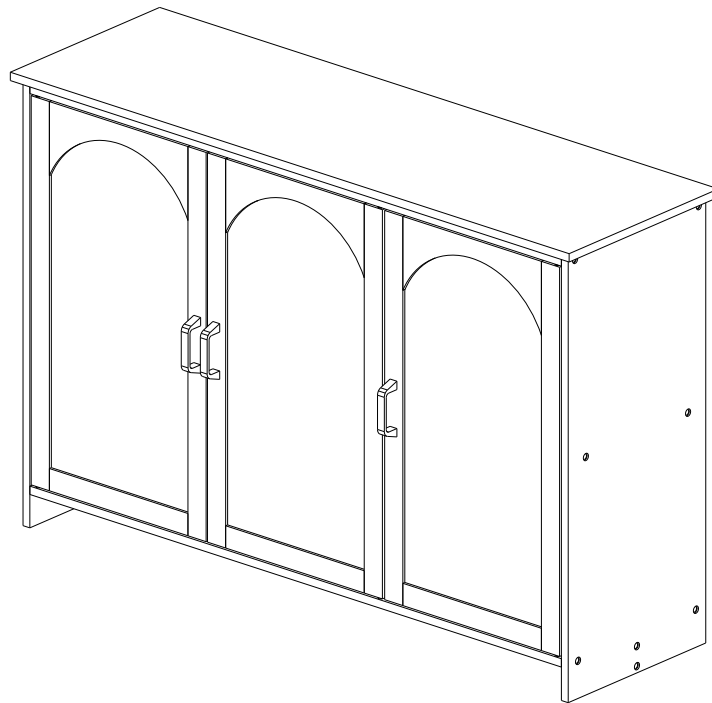


Step 9



A (2)

ENJOY YOUR PRODUCT!



WARNING

Manufacturer and seller expressly disclaim any and all liability for personal injury, property damage or loss, whether direct, indirect, or incidental, resulting from the incorrect attachment, improper use, inadequate maintenance, or neglect of this product.