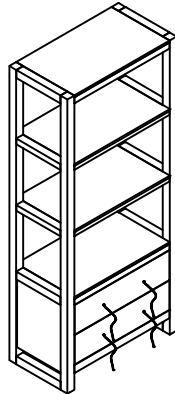
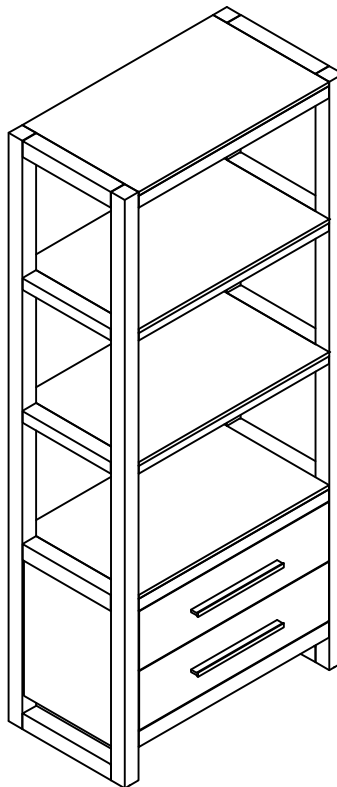


# Assembly Instructions

## PARTS LIST

|   |           |                                                                                   |     |                                                                                                                                                                                                                                                                                                                                                                                                                                                                                                                                                                                                                                                                                                                                                                                                                                                                                                      |
|---|-----------|-----------------------------------------------------------------------------------|-----|------------------------------------------------------------------------------------------------------------------------------------------------------------------------------------------------------------------------------------------------------------------------------------------------------------------------------------------------------------------------------------------------------------------------------------------------------------------------------------------------------------------------------------------------------------------------------------------------------------------------------------------------------------------------------------------------------------------------------------------------------------------------------------------------------------------------------------------------------------------------------------------------------|
| A | DESK PART |  | X 1 | <p><b>Before beginning</b></p> <ol style="list-style-type: none"> <li>1) Carefully unpack and position the item on a clean, non-marring surface to assemble.</li> <li>2) Read this Assembly Instructions from beginning to end before starting to assemble.</li> <li>3) Take an inventory of the required parts to ensure all are available.</li> <li>4) To prevent accidental choking hazards, keep all packing materials away from small children.</li> <li>5) Only tighten hardware until ALL hardware are fully engaged on their locations. Overtighten bolts will damage the bolt threads.</li> <li>6) Use only factory provided hardware to assemble. Unapproved hardware can damage product or jeopardize the structural integrity of the product.</li> <li>7) The use of power tool to assemble is not recommended due to high risk of over-torque, which can damage the product.</li> </ol> |
| Z | HARDWARE  |                                                                                   |     |                                                                                                                                                                                                                                                                                                                                                                                                                                                                                                                                                                                                                                                                                                                                                                                                                                                                                                      |



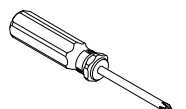
ASSEMBLY REQUIRES ONE PERSON



15 MINUTE ASSEMBLY TIME

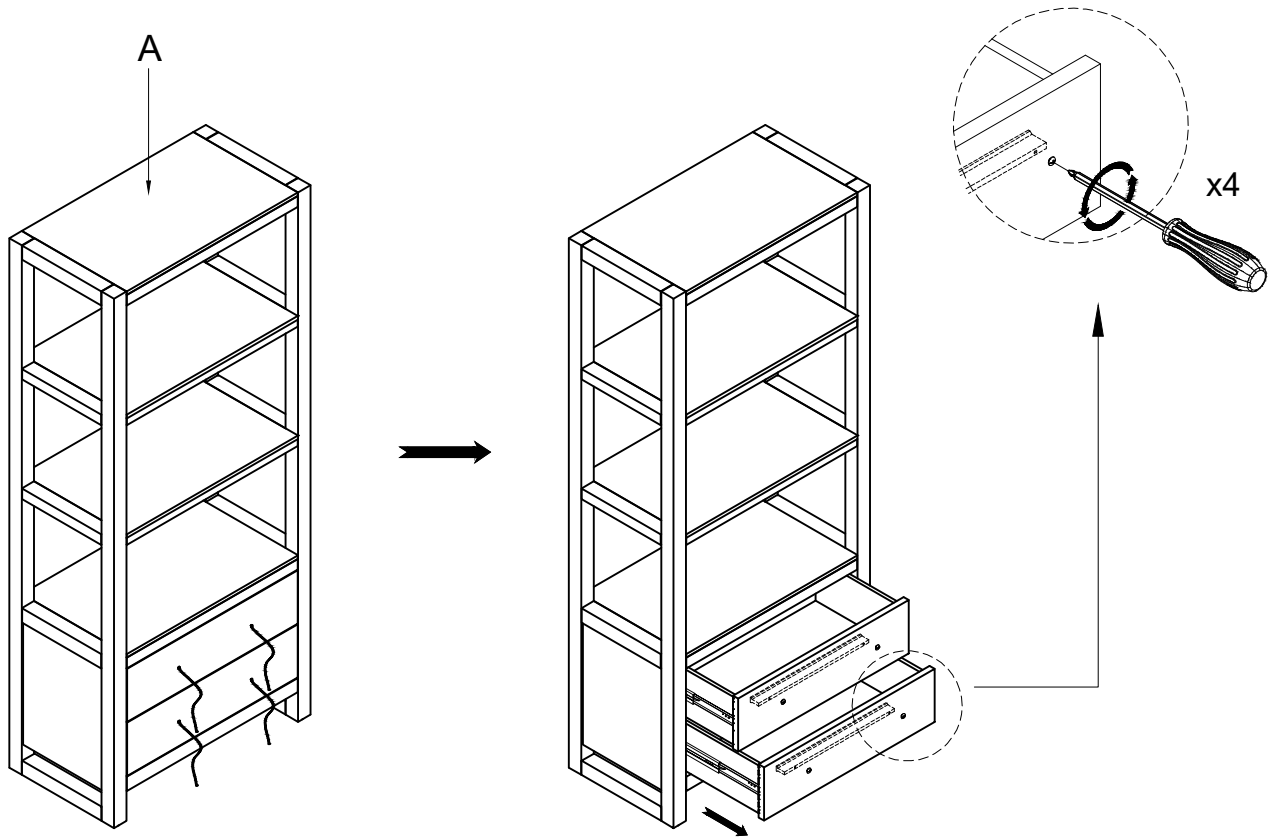


KEEP INSTRUCTIONS FOR FUTURE USE

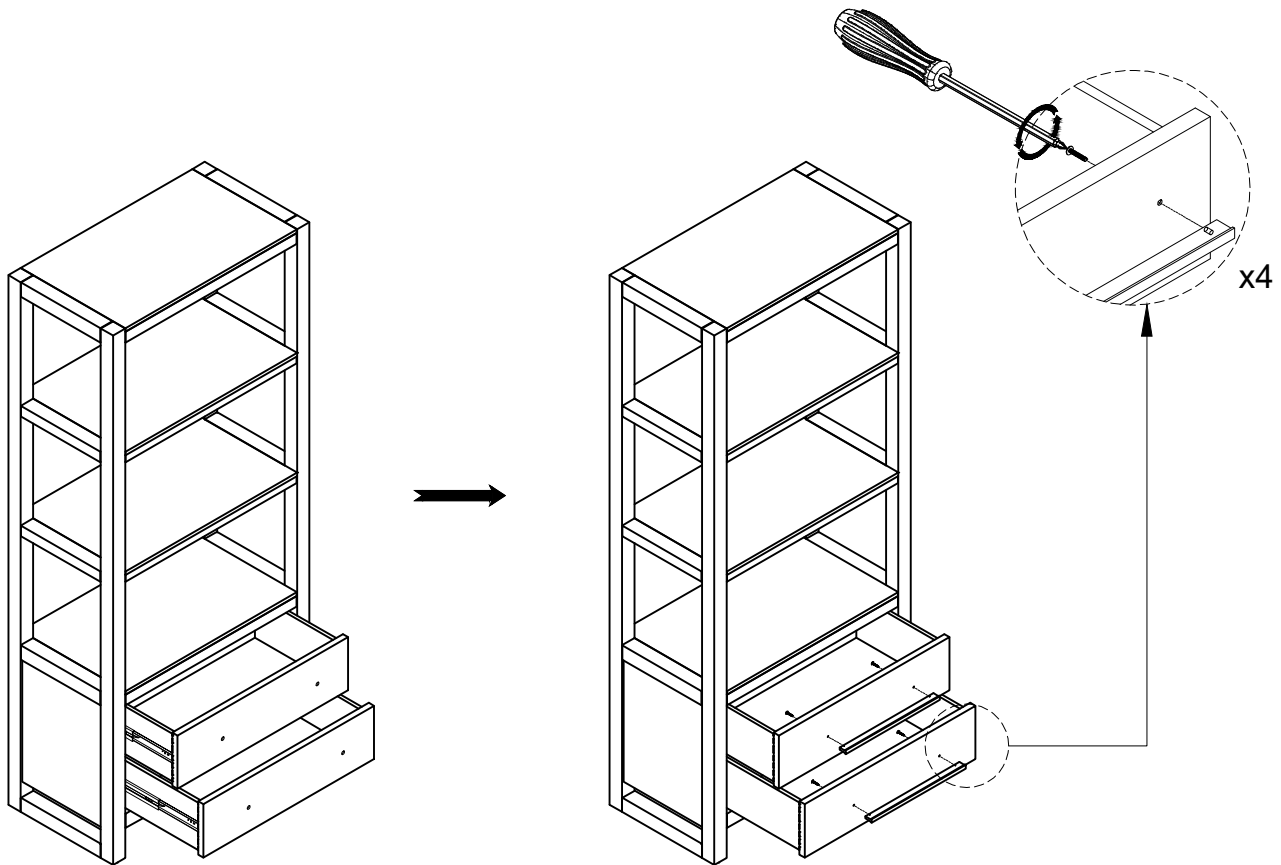


# Assembly Instructions

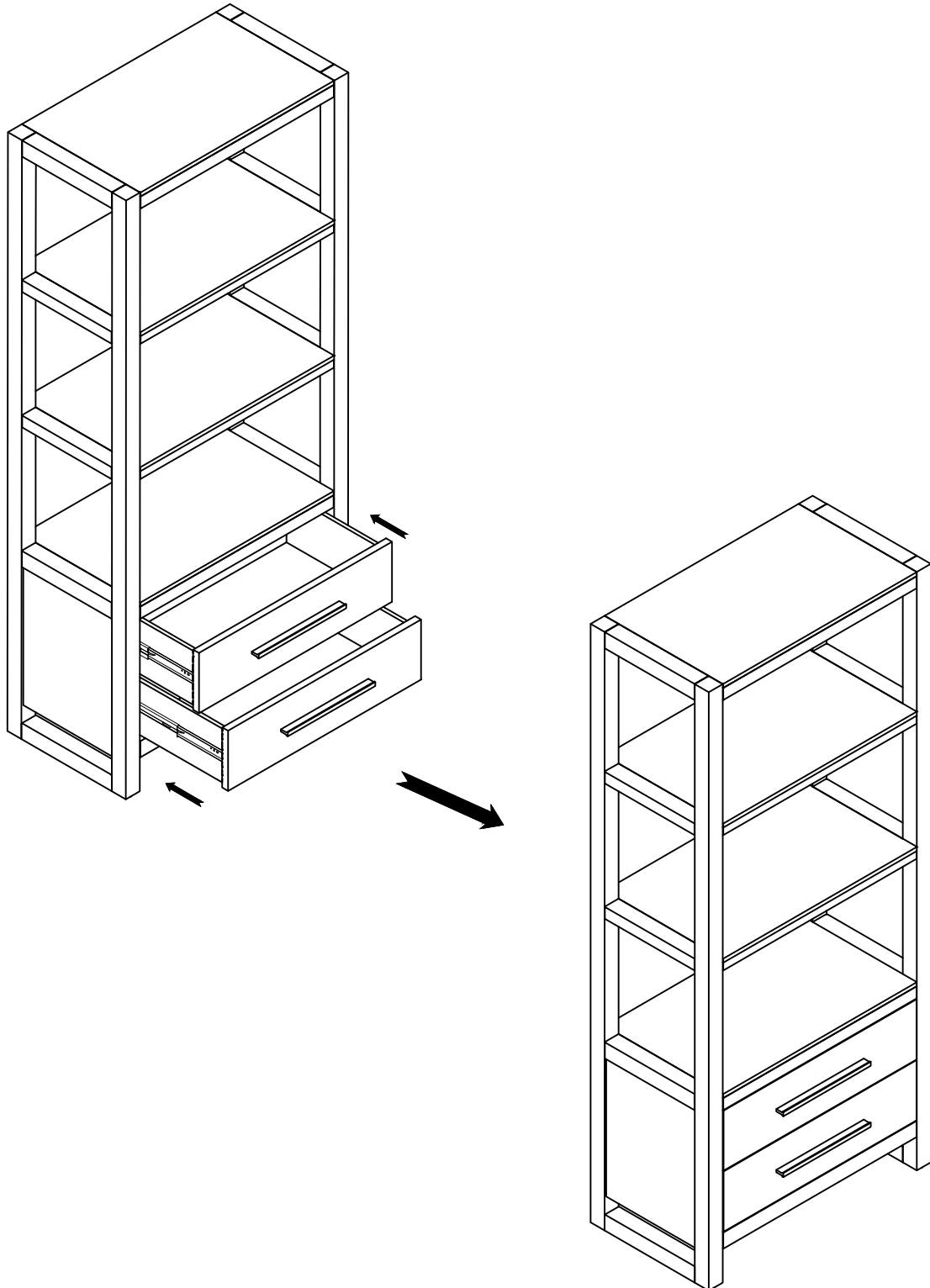
1



2



## Assembly Instructions



**NOTE:**

Please adjust the preinstalled levelers at the bottom of the legs to make sure your bookcase is level.

## FURNITURE TIPPING RESTRAINT

**WARNING:** This product is only a deterrent. It is not a substitute for proper adult supervision. Manufacturer assumes no liability for improper installation or excessive loads placed on screws, brackets or straps.

Young children may be injured by tipping furniture and the use of a tipping restraint is highly recommended.

When properly installed, this restraint will provide protection against tipping of furniture. This tipping restraint **MUST** be secured to a wall-stud or wall structure of similar strength.

---

Hardware included:

|                               |                                          |
|-------------------------------|------------------------------------------|
| (2) Brackets                  | (1) Nylon Strap                          |
| (2) Long Stud Mounting Screws | (2) Short Furniture-Side Mounting Screws |

Note: For safe mounting it is essential to use the proper hardware for your wall type. The included hardware is for drywall or stud mounting only. For other wall types (e.g., plaster, concrete and brick) please consult your local hardware store for fastener advice.

To install:

**1) LOCATING THE STUDS:** Use a stud finder to locate the vertical wooden studs within your wall located behind the final position of the furniture item. Mark the stud locations with a light pencil-mark.

**2) MOUNTING THE FURNITURE-SIDE BRACKET:** Move the furniture item close to the wall to its final position. Use pieces of tape or a pencil to transcribe the stud locations of the wall onto the furniture item. Move the furniture item again so you can access its back and use the marks to locate a suitable mounting point for the furniture-side bracket. Make sure that the bracket is secured to a firm portion of the furniture frame and as high as possible. Remember: The furniture-side bracket must be positioned near a wall stud. Using a pencil, and the bracket as a guide, mark "screw marks" on the furniture item through the bracket holes.

Use a 3/32" drill bit to drill pilot holes into the furniture item at the "screw marks". Use the TWO Short screws to secure the furniture-side bracket. This bracket can be positioned either vertically or horizontal as necessary (See Figure 1).

**3) MOUNTING THE WALL-SIDE BRACKET:** Position the wall-side bracket along the selected stud mark so that it will be adjacent the furniture-side bracket when the furniture item is moved to its final position. The wall-side bracket should be about ONE inch lower than the furniture-side bracket (See Figure 3). Use the TWO Long screws to secure the wall-side bracket to the wall. Remember to position the wall-side bracket vertically so that both screws will engage the selected wall stud (See Figure 2).

**4) ATTACHING THE STRAP:** When both brackets are securely attached, move the furniture to its final desired position and thread the strap through the openings of each bracket and also through the ratcheting "buckle". Tighten the strap until several "clicks" are heard. The furniture item is now securely tethered to the wall.

Note: If you must move the furniture item, you can release the strap by depressing the lever arm located at its buckle and simultaneously withdrawing the strap from the buckle. Make sure to reconnect the strap once the furniture item is returned to its previous position.

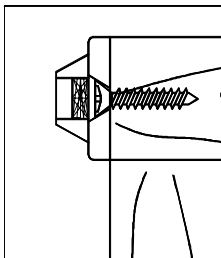


Figure 1

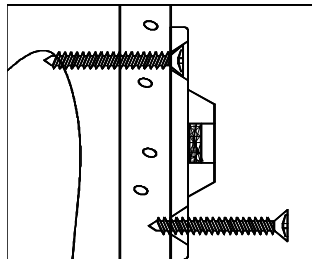


Figure 2

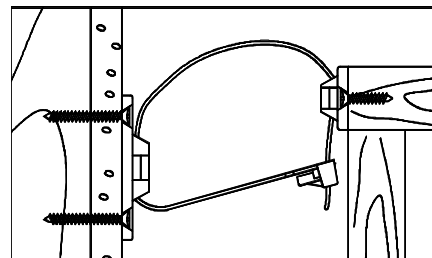
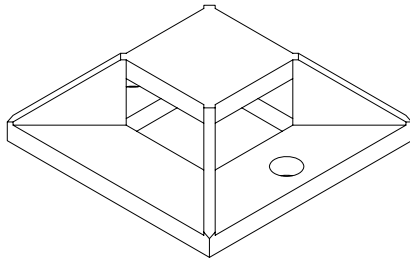


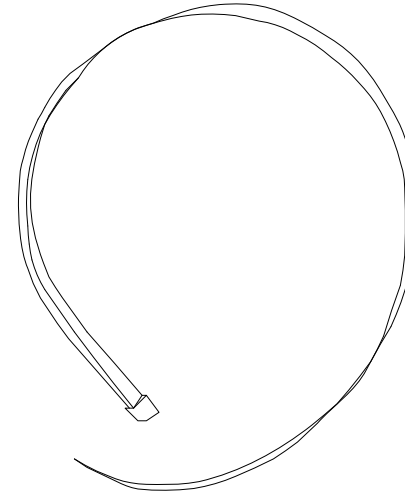
Figure 3

# Anti-Tipping Hardware

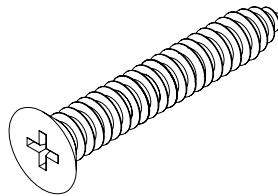
**Brackets: 4 PCS**



**Nylon Strap: 2 PCS**



**Long Stud Mounting Screws: Ø4x40(mm): 4 PCS**



**Short Furniture- Side Mounting Screws: Ø4x20(mm) : 4 PCS**

