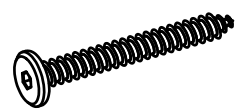
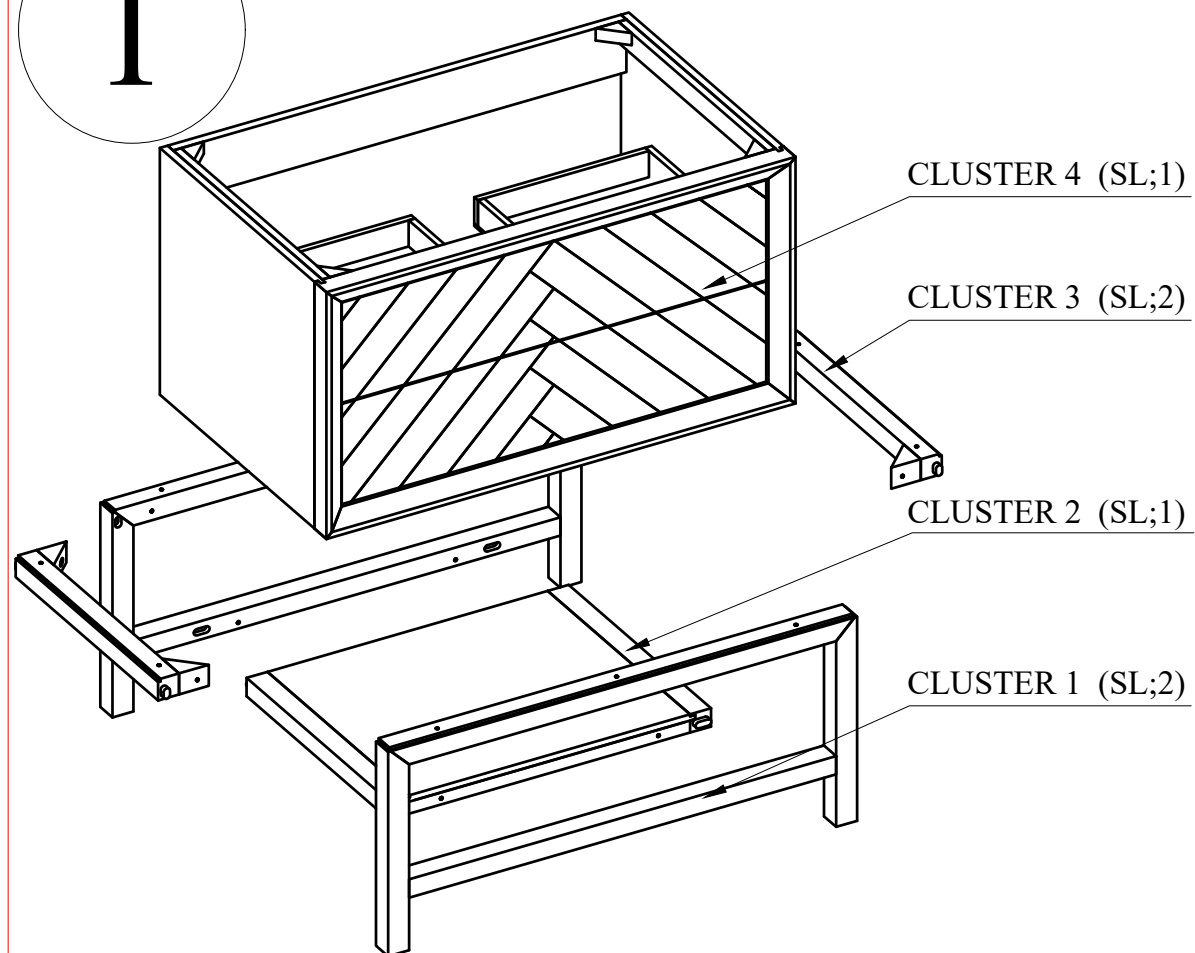


# Assembly instructions

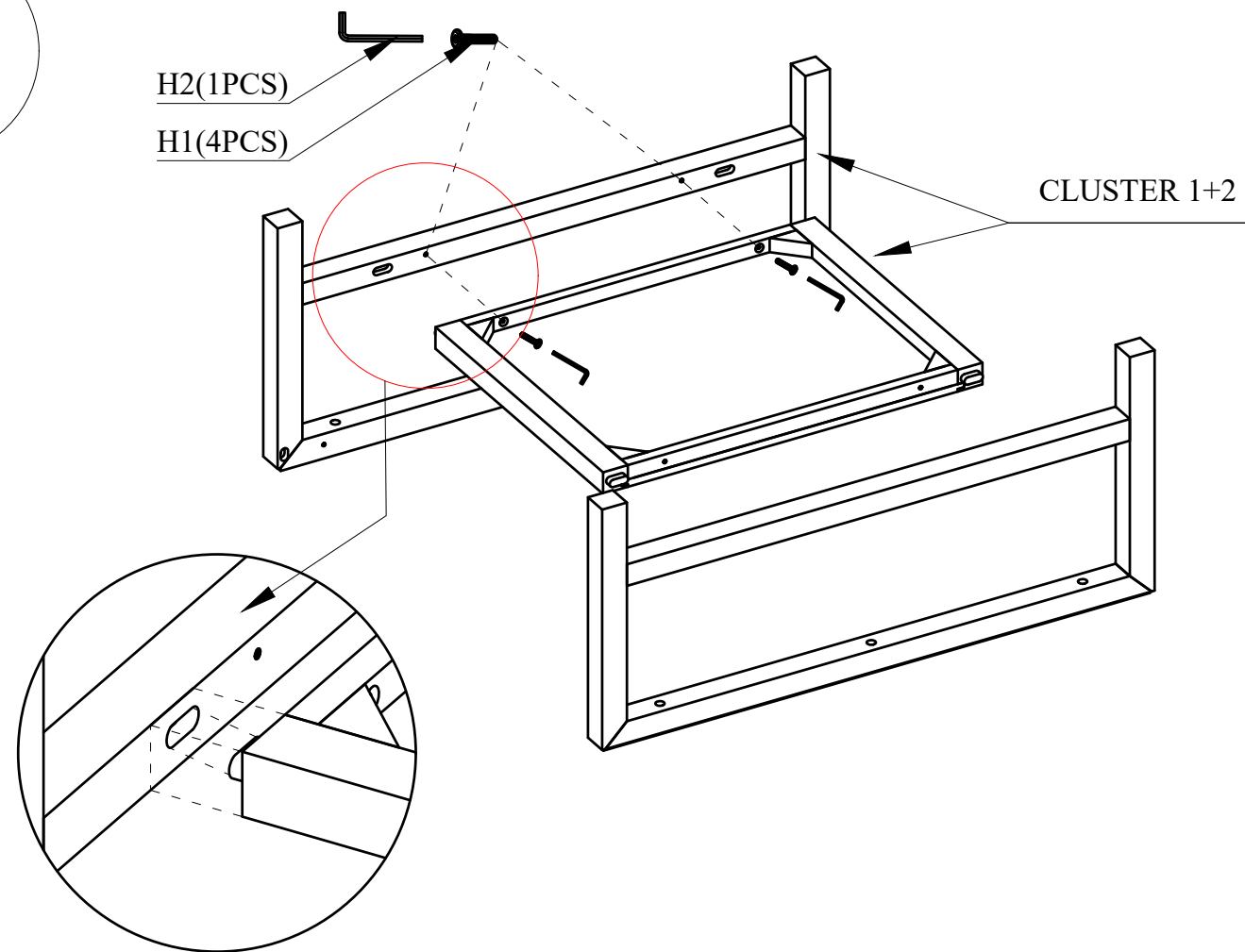
1



(H1) x 18 (M6x40)  
countersunk hex  
head wood screws



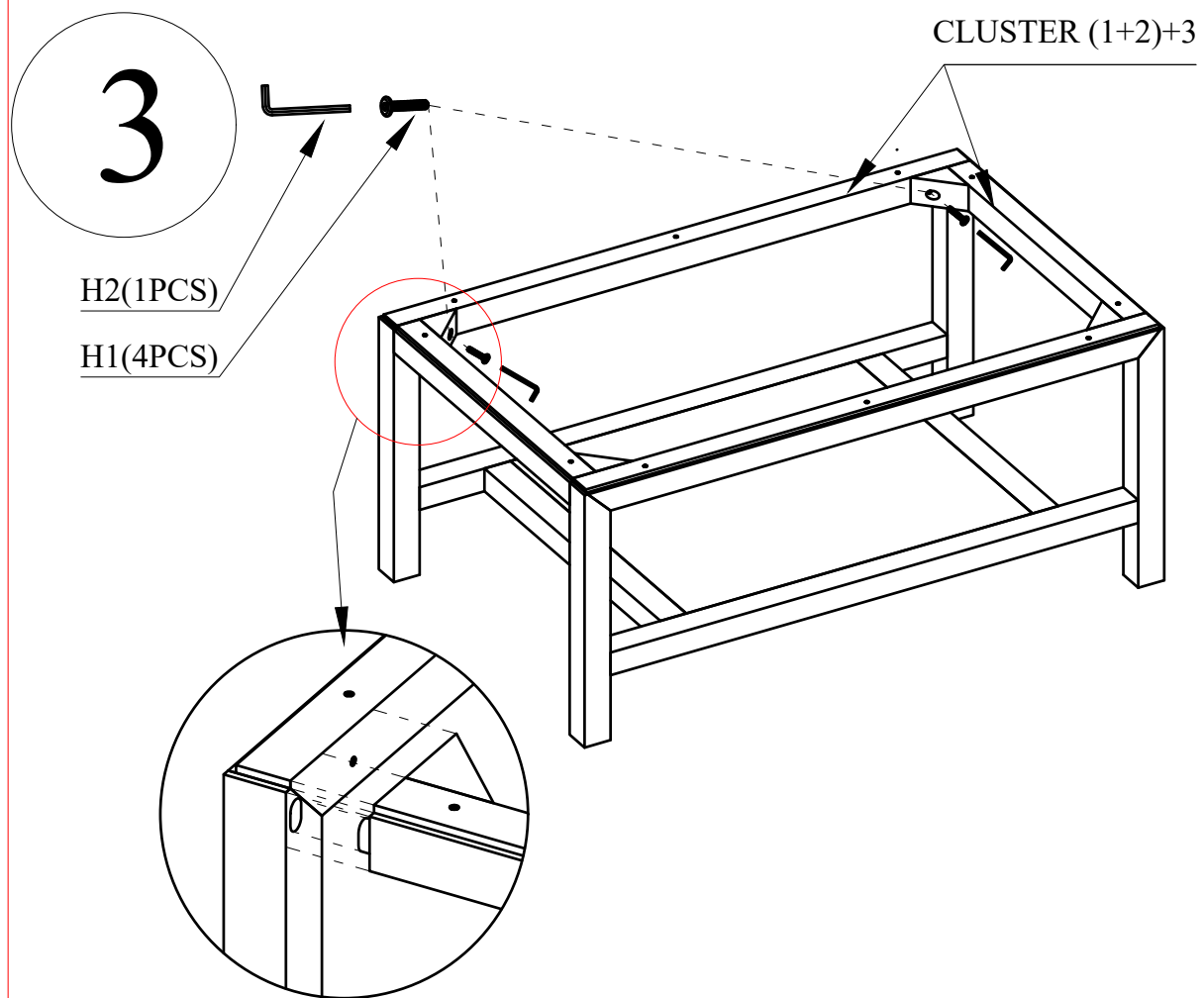
2



3



(H2) x 1  
Hexagon buckle



4

