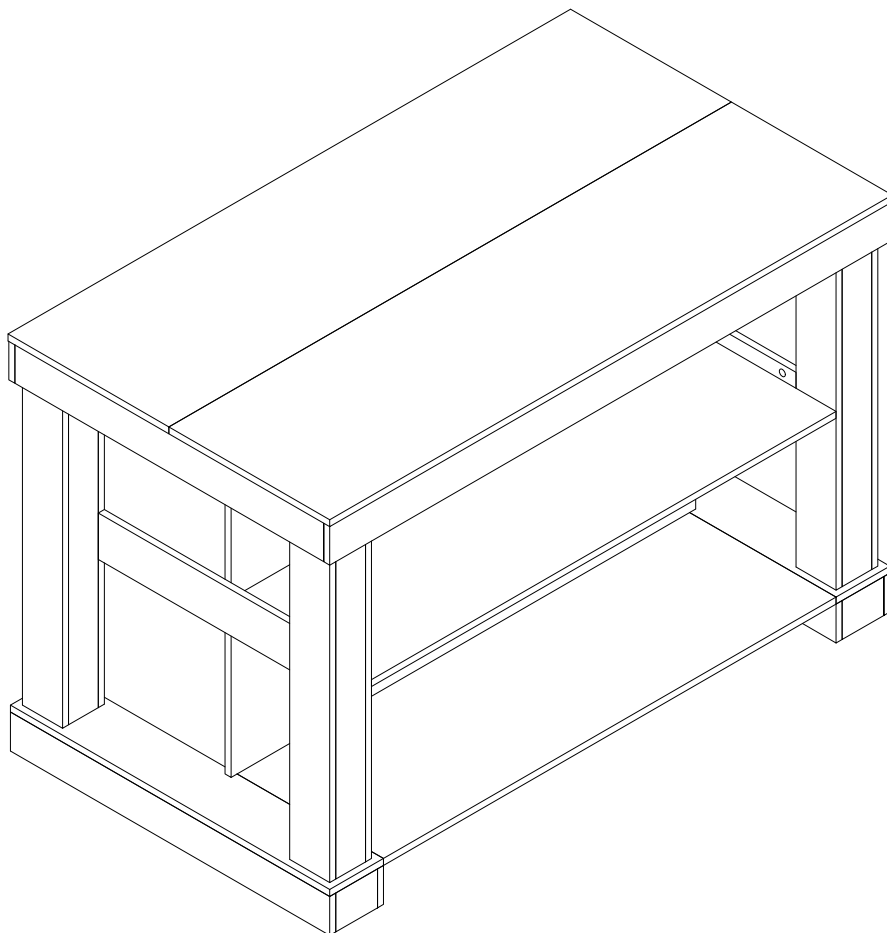


Assembly Instructions

Kitchen Island Bar Table





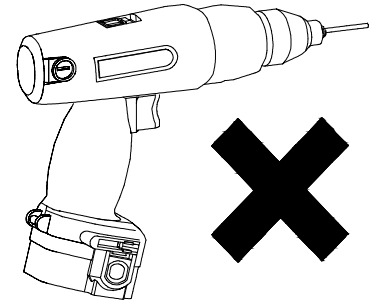
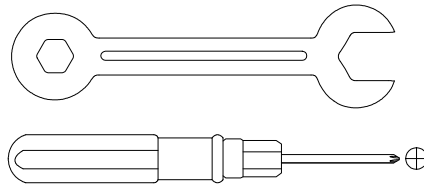
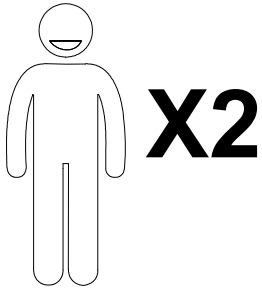
Contact Us

We're here to help you.

Your satisfaction is our top priority. If you encounter any issues with this product, such as missing or damaged parts, we're here to help. Please retain the original packaging and take photos of the packaging and the product, then contact us as soon as possible.

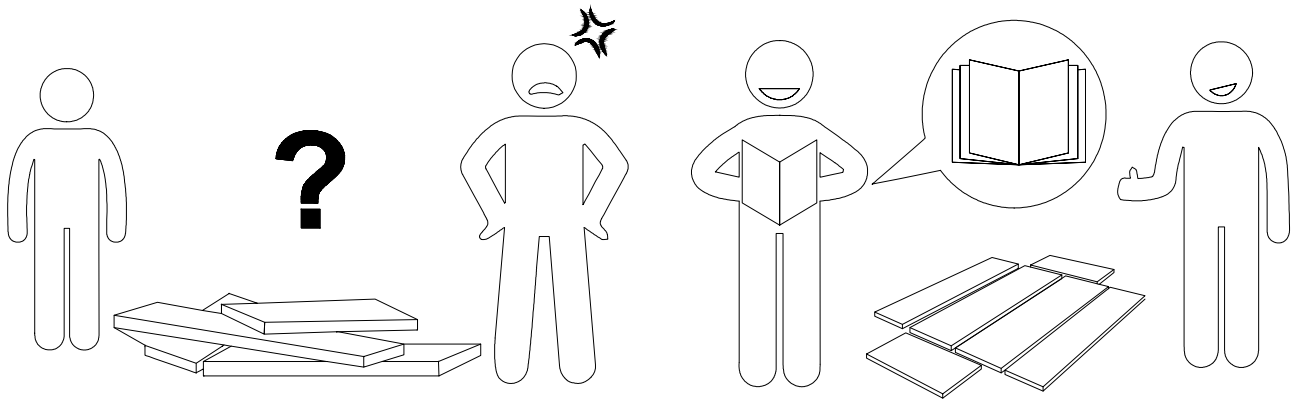
Warm Tips

1. Carefully read these instructions and keep them for future reference.
2. Check the parts list and confirm everything's there before starting assembly.
3. When assembling, put all parts on a soft, smooth surface like a carpet to avoid scratches.
4. Don't fully tighten screws until all parts are confirmed in place to avoid misalignment.



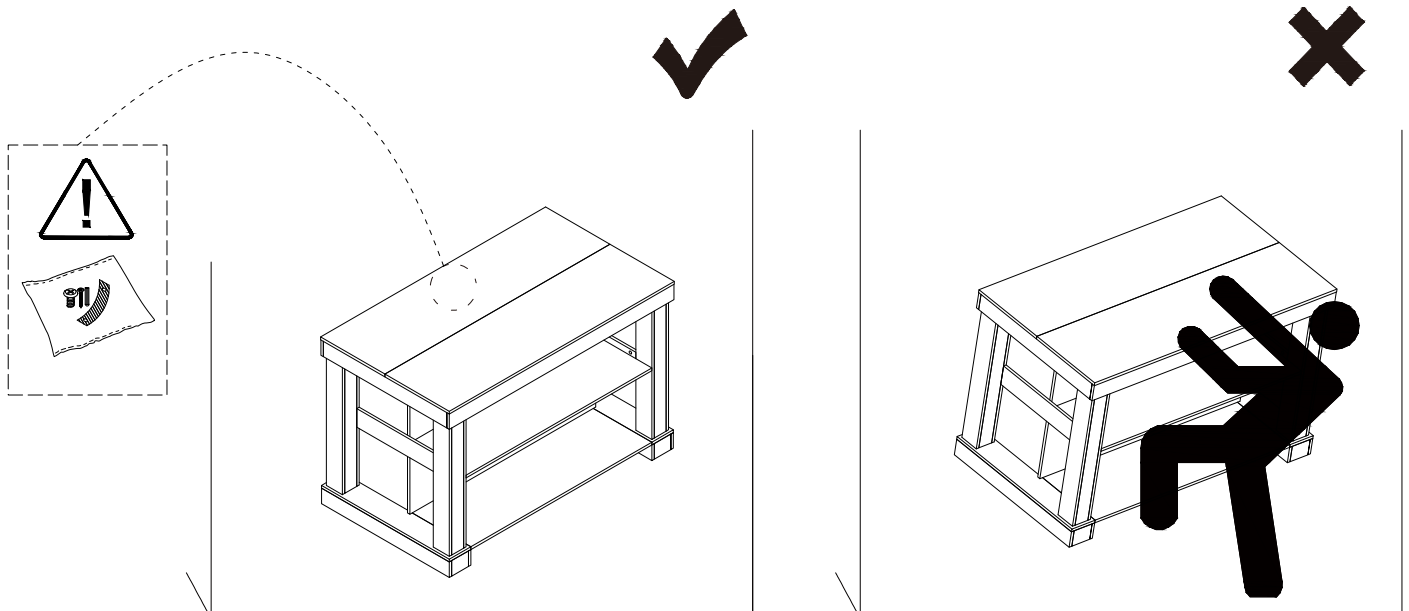
We recommend using hand tools for assembly.

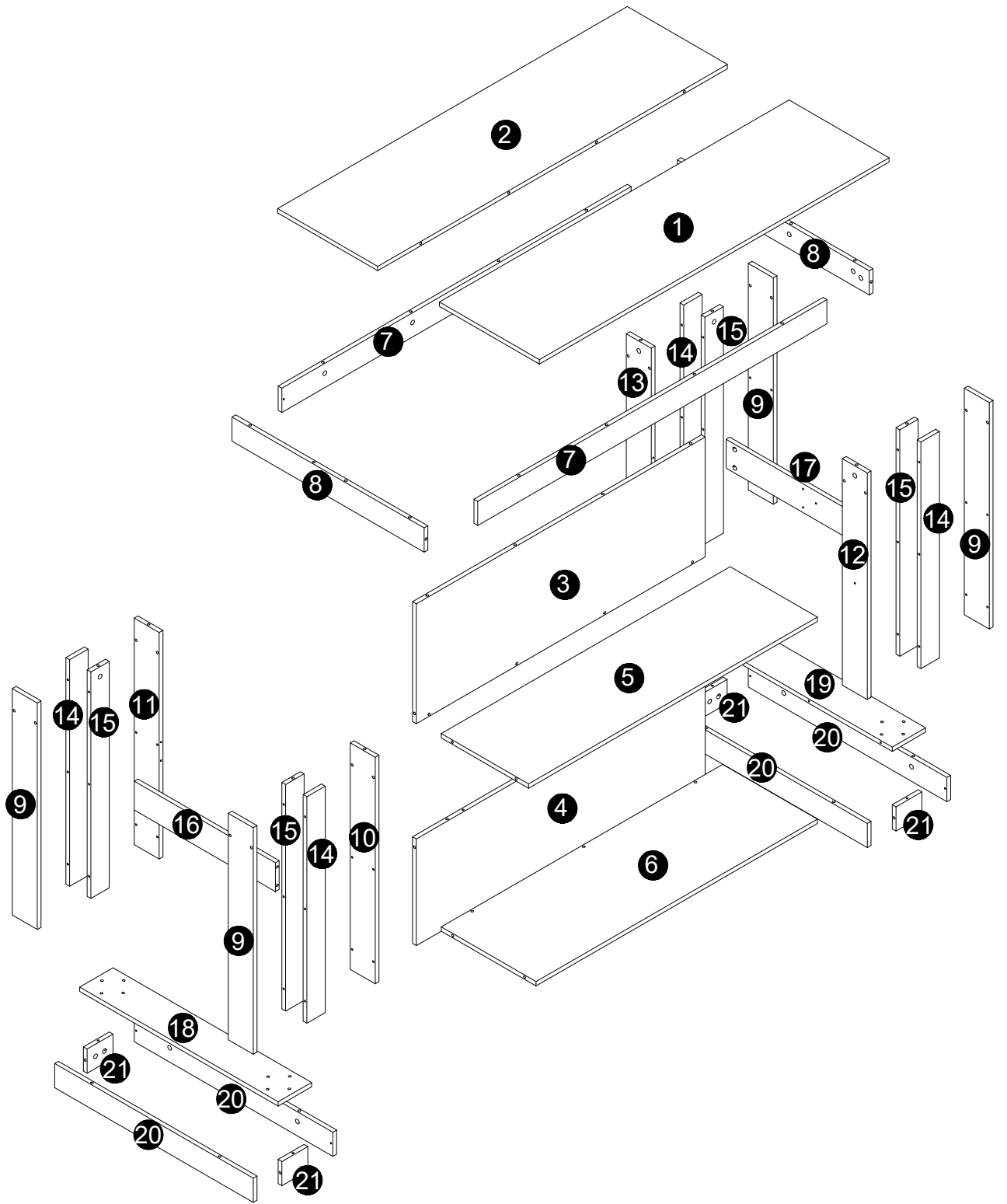
If an electric screwdriver is used, reduce power and torque to avoid damage to the product.



Install the Anti-Tip Straps

Using the anti-tip straps can reduce the risk of tipping over, but can not eliminate it.



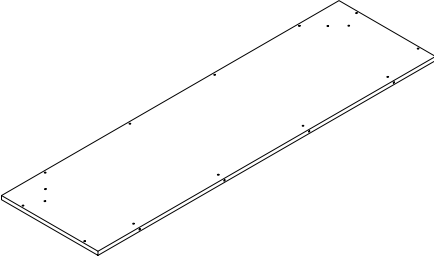
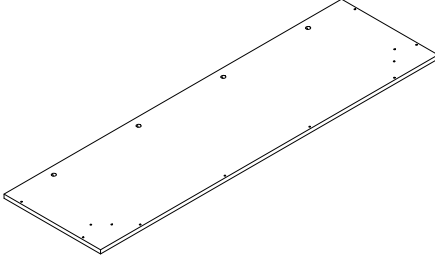
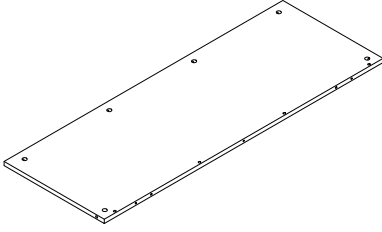
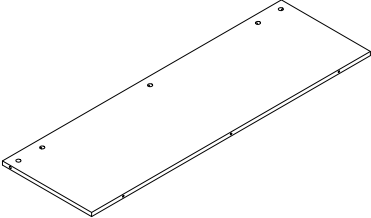
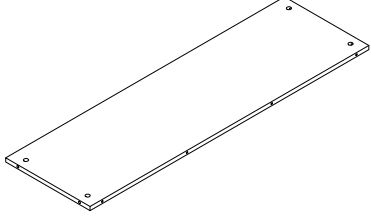
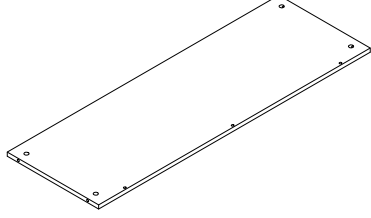
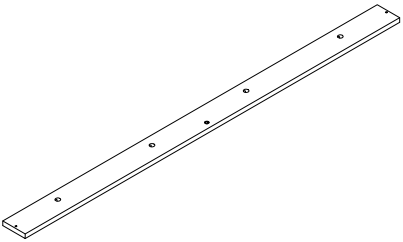
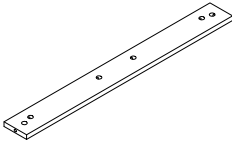
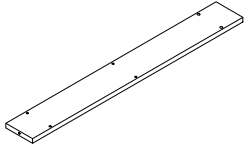
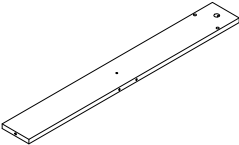
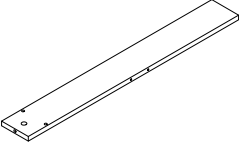
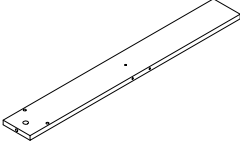


⚠ Caution

Make sure all parts are included. Most board parts are labeled or stamped on the raw edge. Contact us for a free replacement if you encounter any damaged or missing parts.

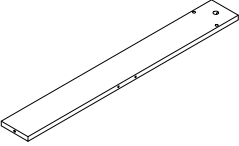
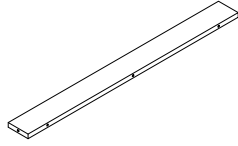
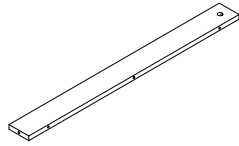
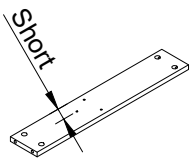
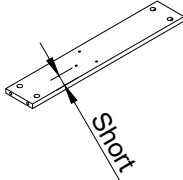
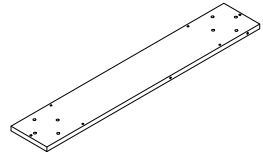
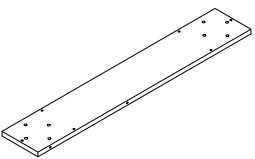
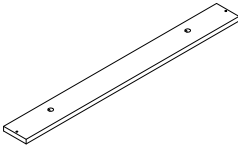
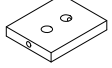


Parts List

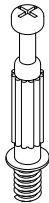
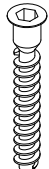
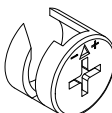
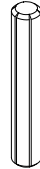
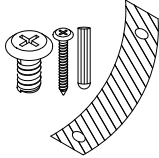
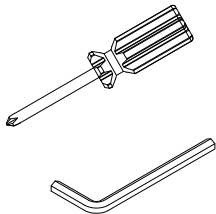
<p>1</p>  <p>1 pc</p>	<p>2</p>  <p>1 pc</p>	<p>3</p>  <p>1 pc</p>
<p>4</p>  <p>1 pc</p>	<p>5</p>  <p>1 pc</p>	<p>6</p>  <p>1 pc</p>
<p>7</p>  <p>2 pcs</p>	<p>8</p>  <p>2 pcs</p>	<p>9</p>  <p>4 pcs</p>
<p>10</p>  <p>1 pc</p>	<p>11</p>  <p>1 pc</p>	<p>12</p>  <p>1 pc</p>



Parts List

13  1 pc	14  4 pcs	15  4 pcs
16  1 pc	17  1 pc	18  1 pc
19  1 pc	20  4 pcs	21  4 pcs

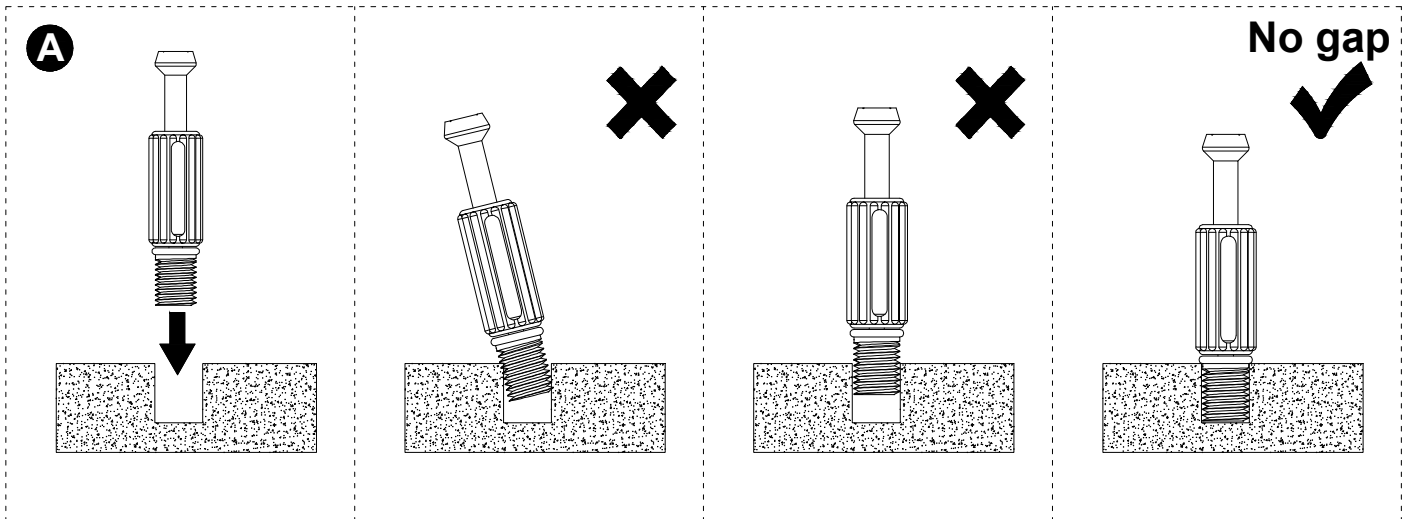
Hardware List

A	B	C	W	Z	
	 M7x50mm		 Ø6x30mm		
75 pcs	39 pcs	75 pcs	38 pcs	1 pc	

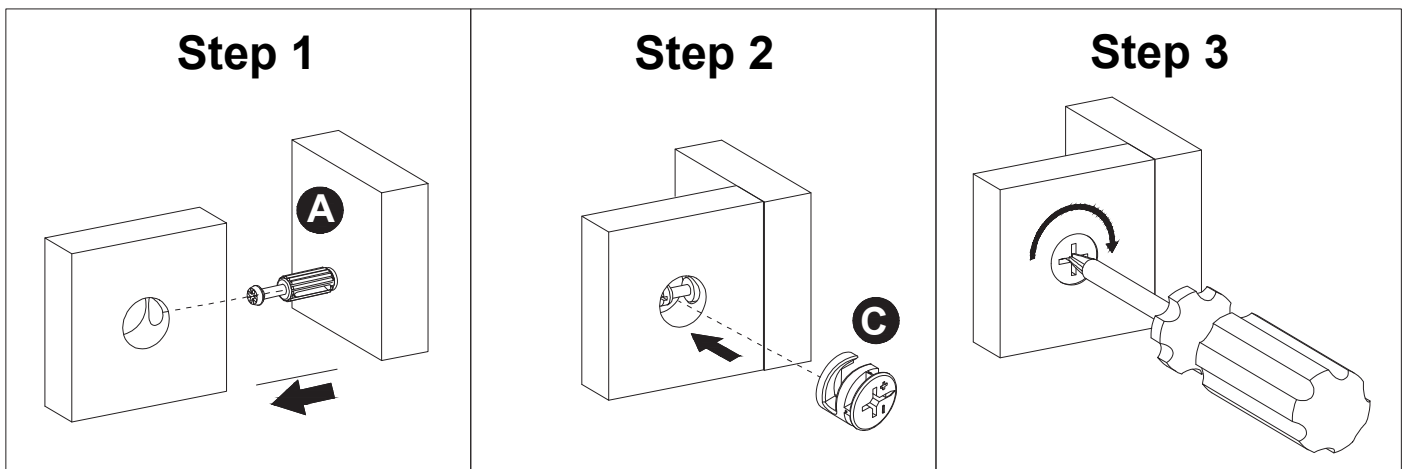


Installation of Cams and Pins

Read each step carefully before starting. Each step of instruction should be performed in the correct order. If these steps are not followed in sequence, assembly difficulties may occur.

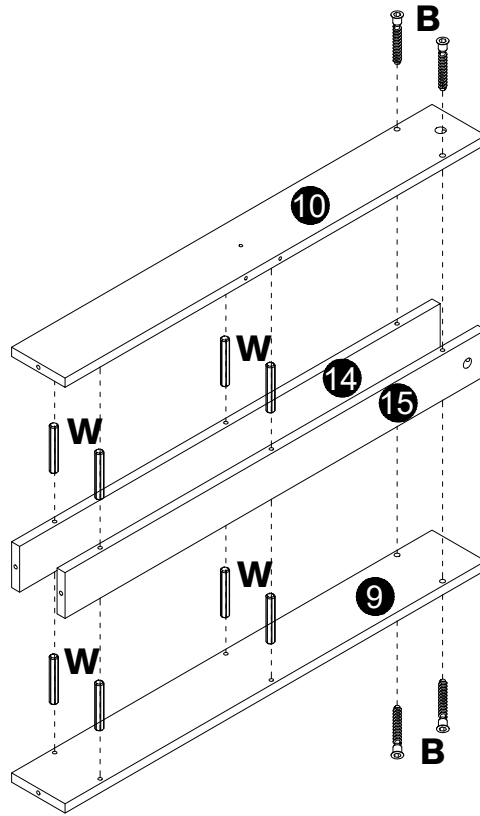




Screw the pin into the hole. Set the cams correctly by aligning the head of the cams with the lock pins. Lock the cam by turning the cam head with a screwdriver until it is tightened. Please do not use an electric screwdriver to assemble the unit.

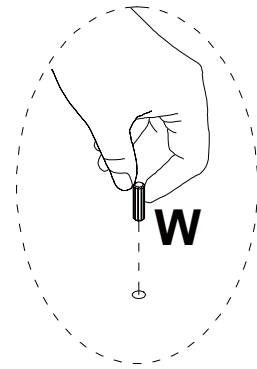




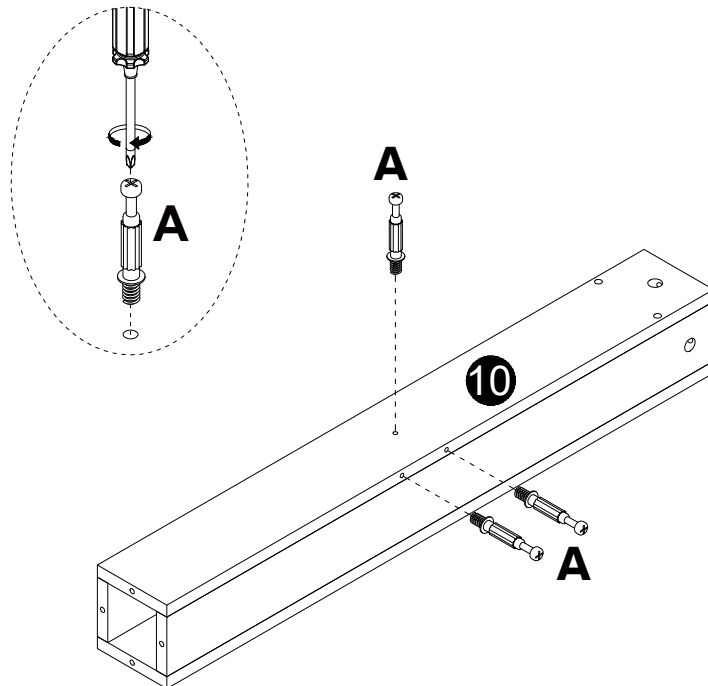
1




B	W
	
M7x50mm	Ø6x30mm
4 pcs	8 pcs



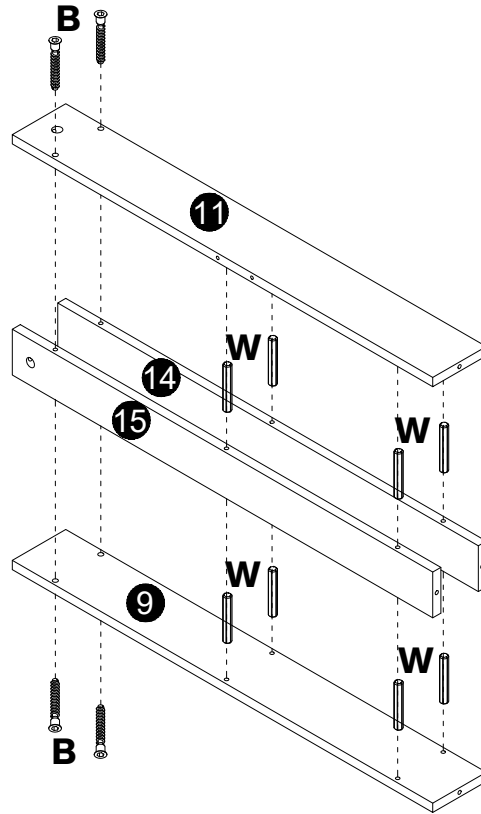
2





A

3 pcs

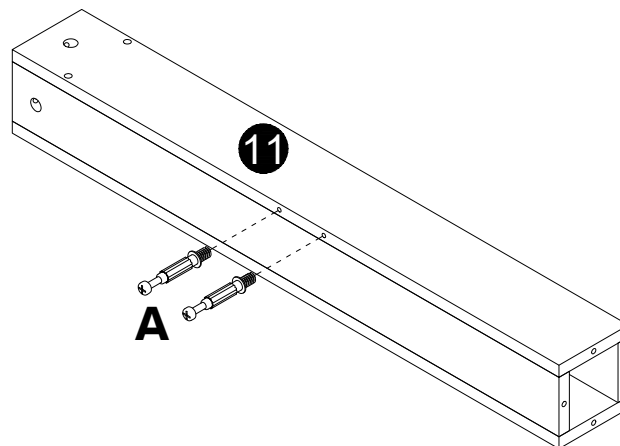


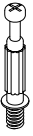
3



B	W
	
M7x50mm	Ø6x30mm
4 pcs	8 pcs

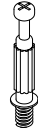

4

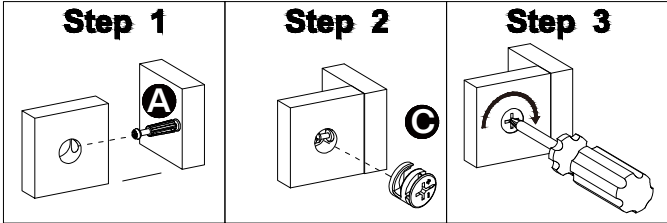
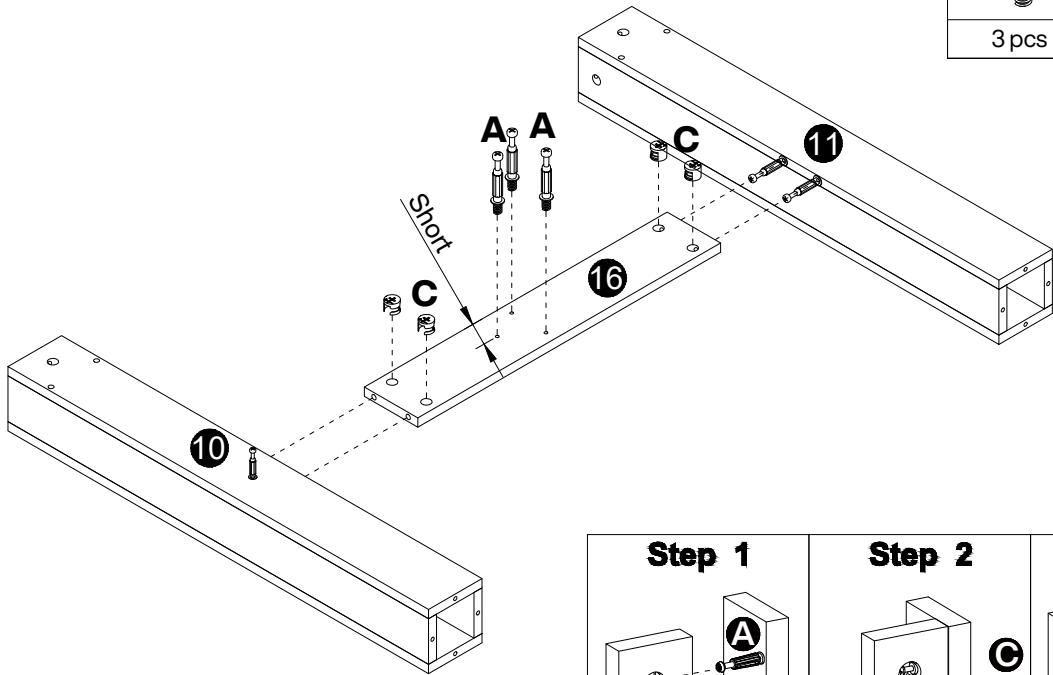


A

2 pcs




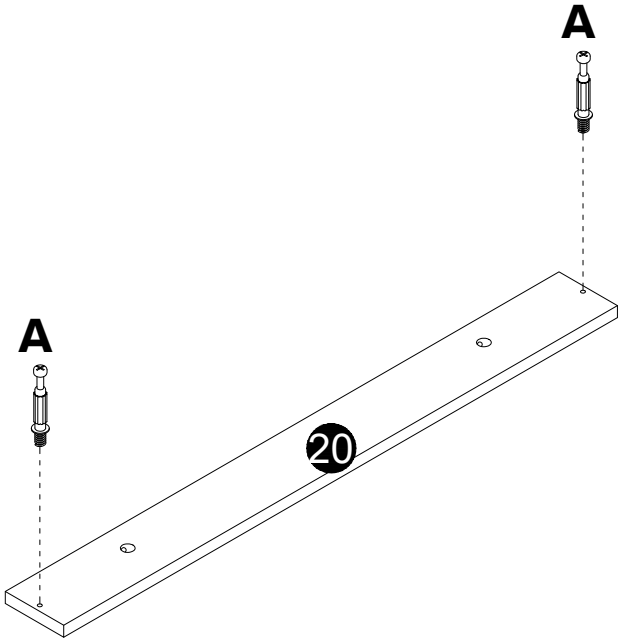
5

A	C
	
3 pcs	4 pcs



6

A

8 pcs

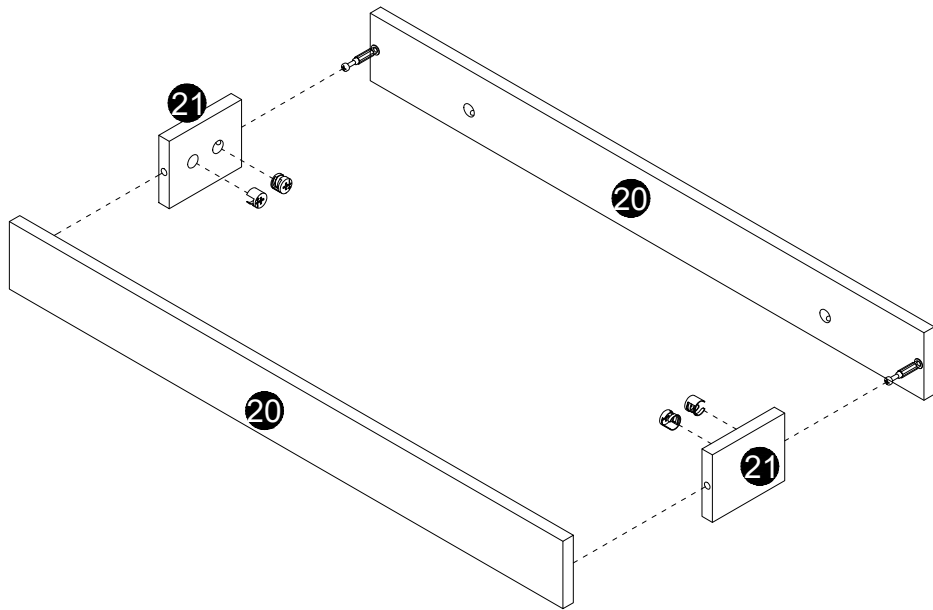


x4



7

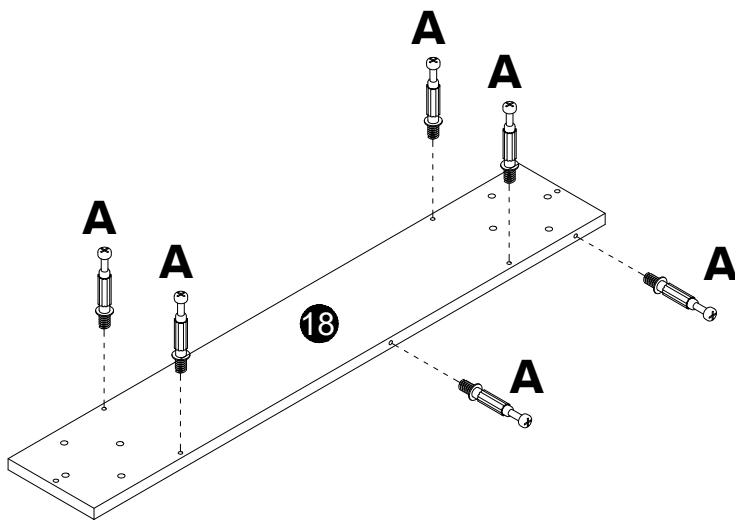
C
8 pcs



x2



8

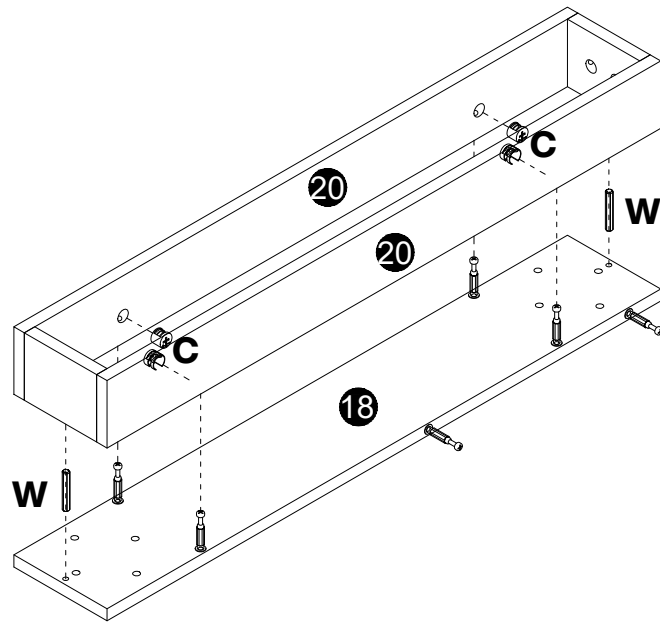
A
6 pcs






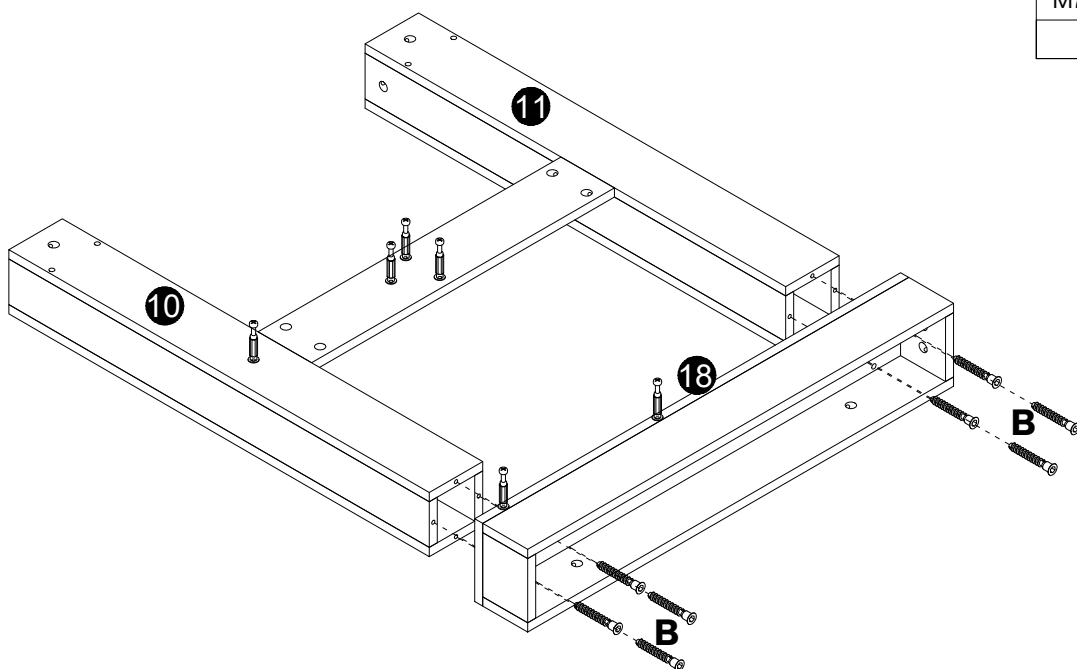
9

C	W
	
4 pcs	2 pcs



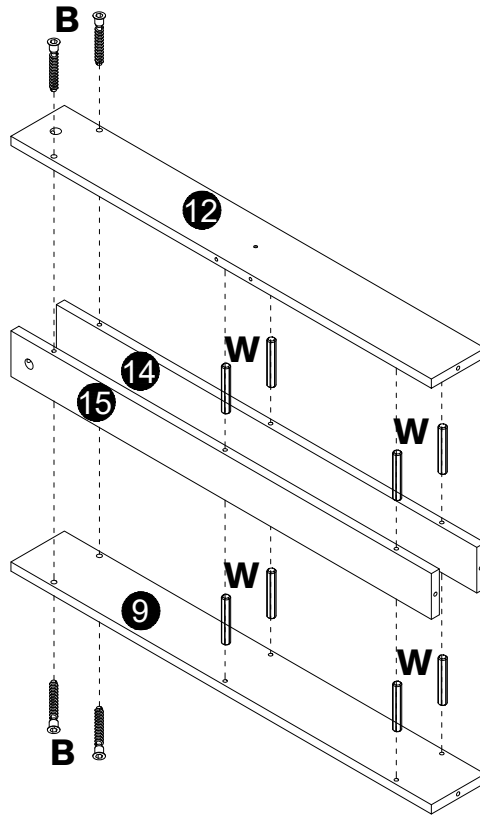
10



B

M7x50mm
8 pcs



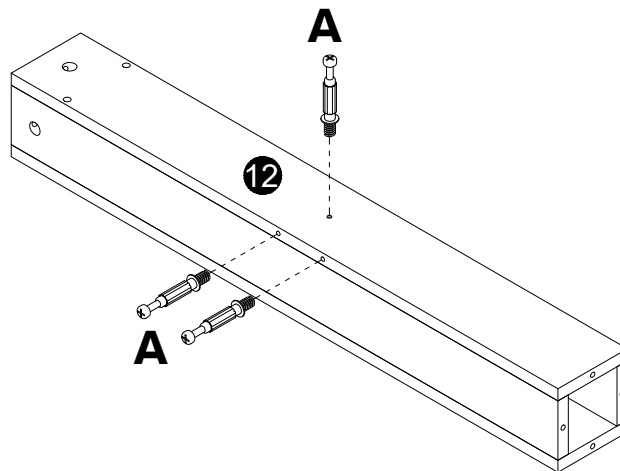



11



B	W
	
M7x50mm	Ø6x30mm
4 pcs	8 pcs

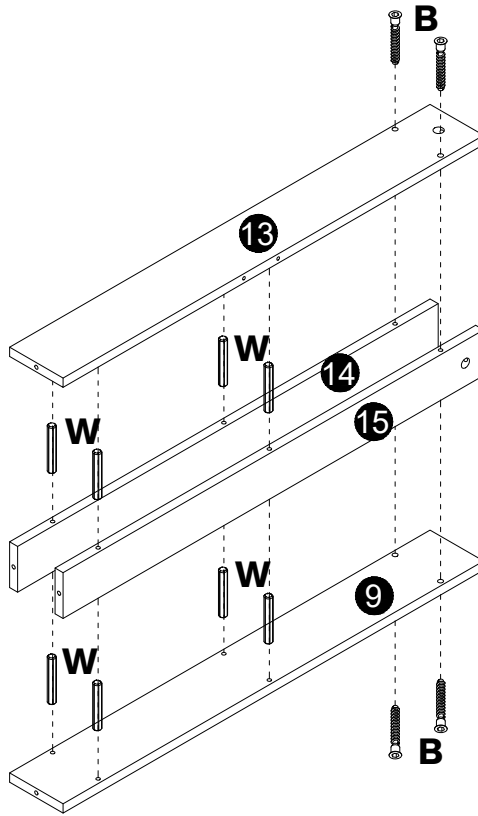
12





A

3 pcs

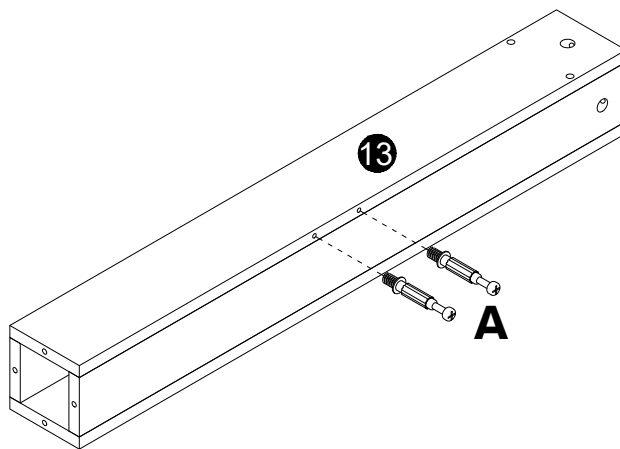


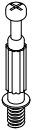
13



B	W
	
M7x50mm	Ø6x30mm
4 pcs	8 pcs

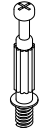

14

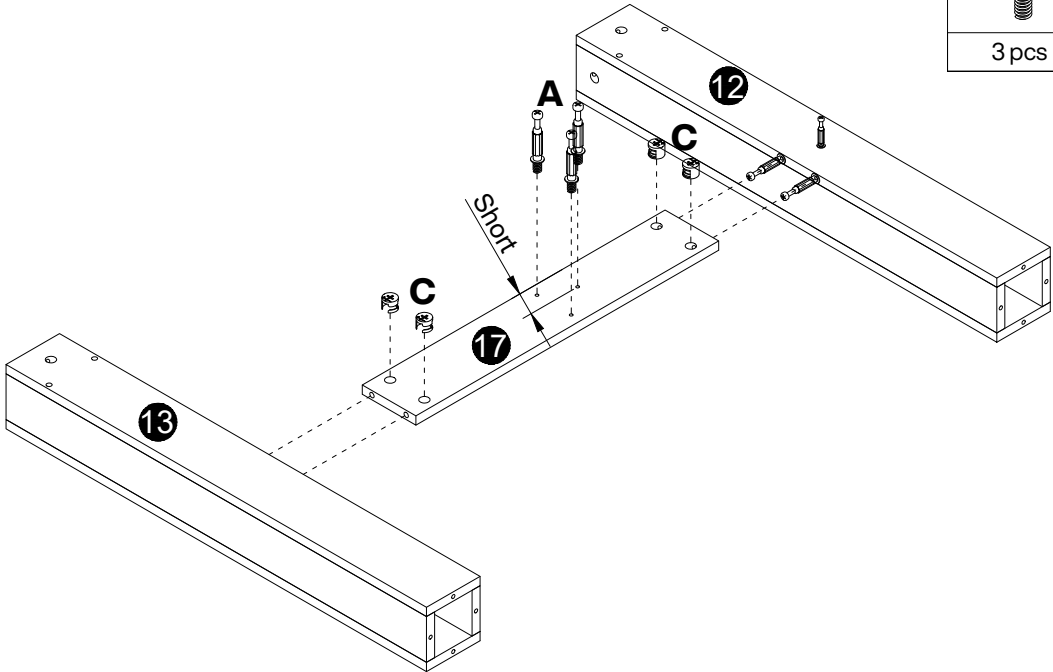


A

2 pcs

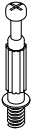


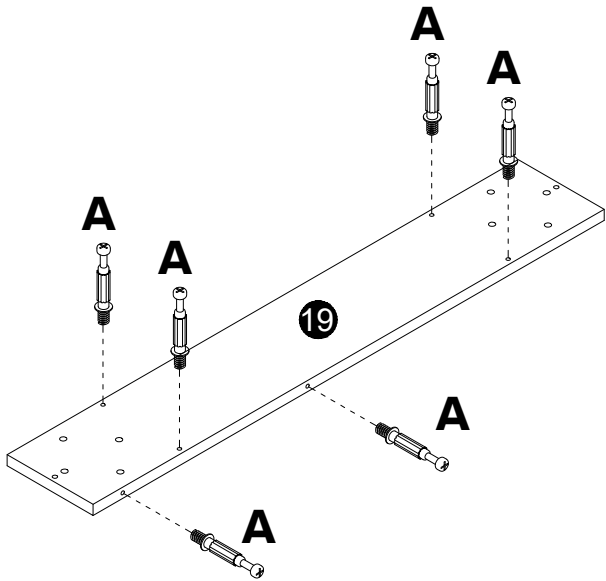
15

A	C
	
3 pcs	4 pcs





16

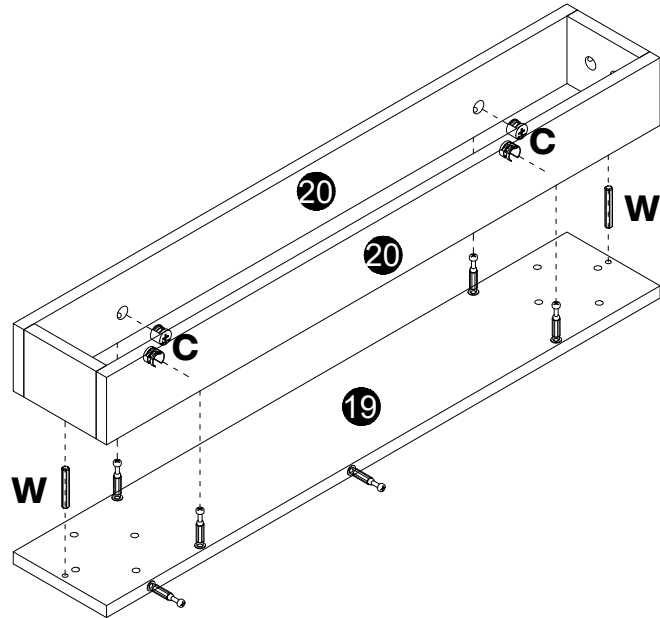
A

6 pcs






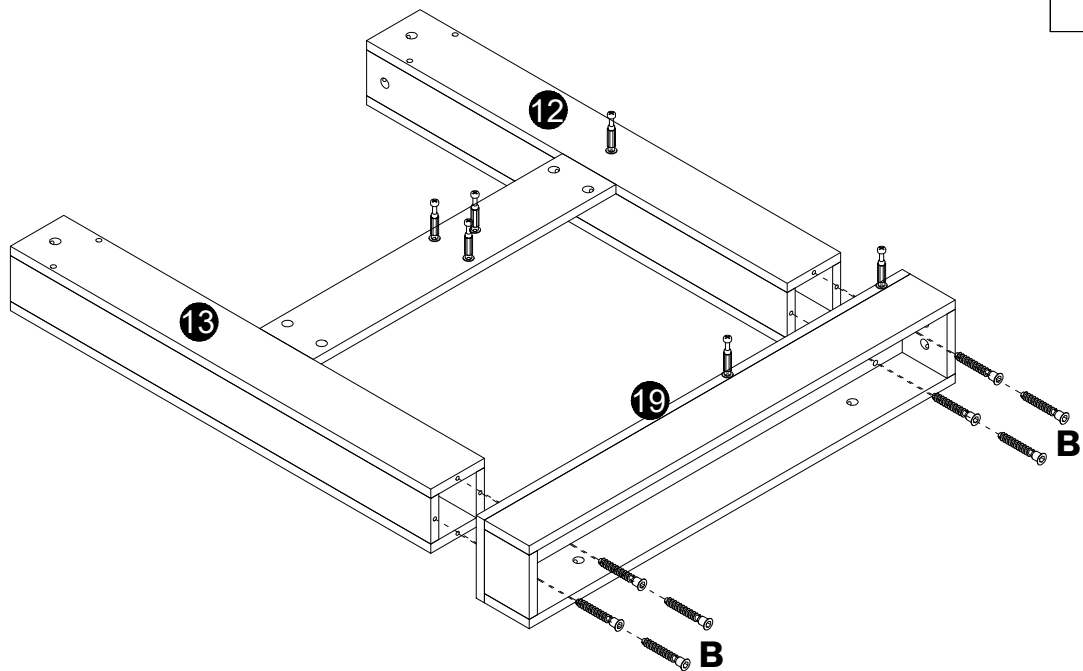
17

C	W
	
4 pcs	2 pcs Ø6x30mm




18

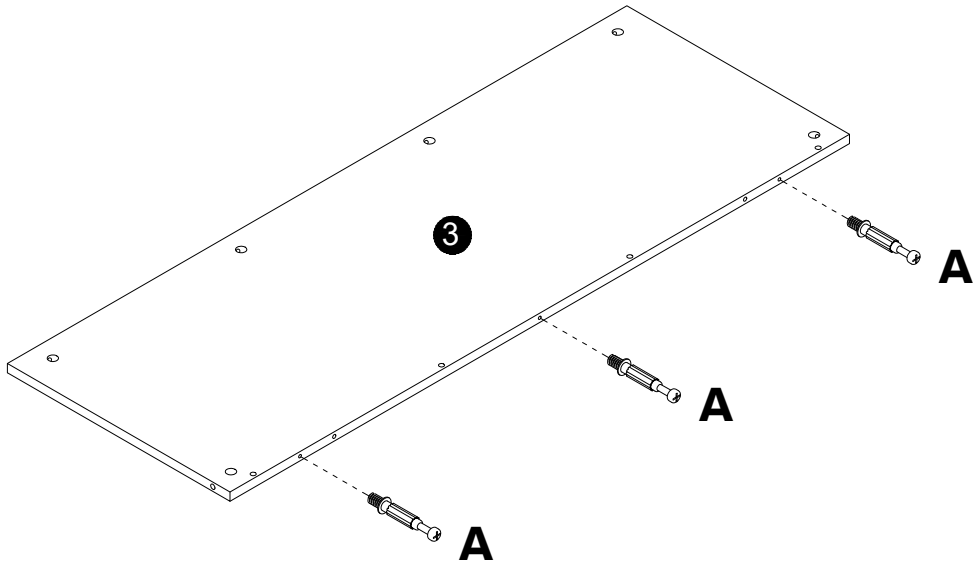
B

M7x50mm
8 pcs







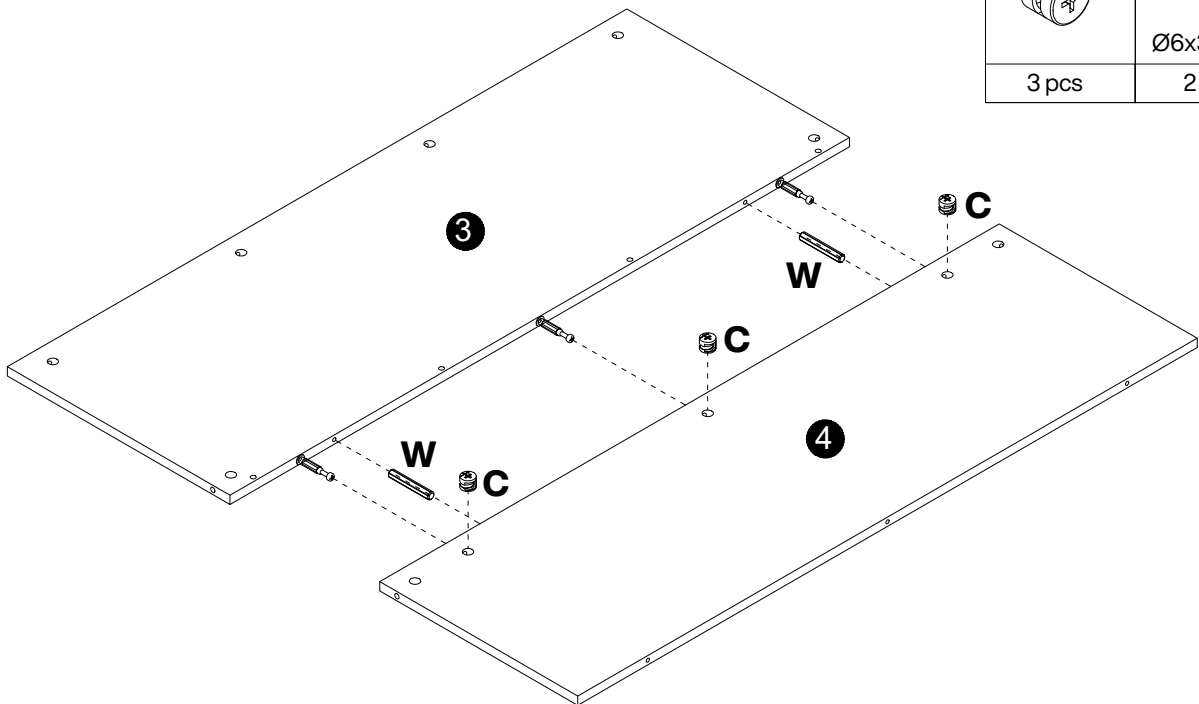
19

A

3 pcs



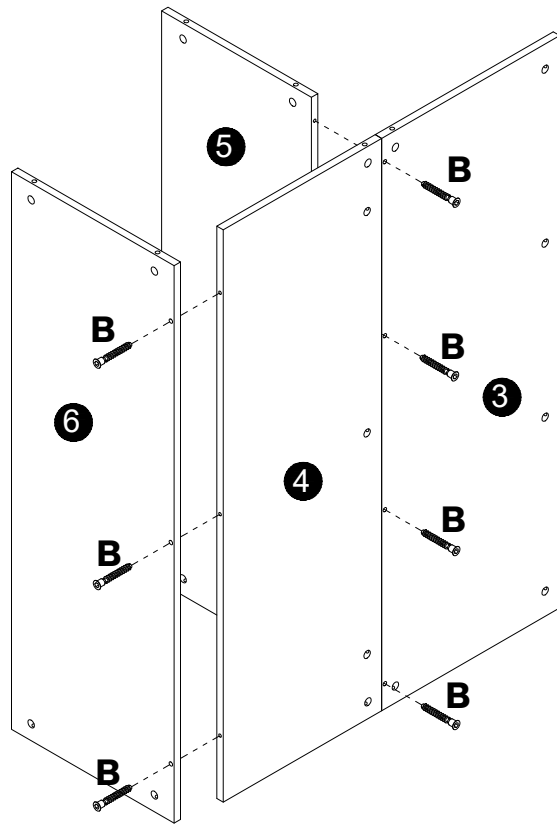
20


C	W
	
3 pcs	2 pcs Ø6x30mm



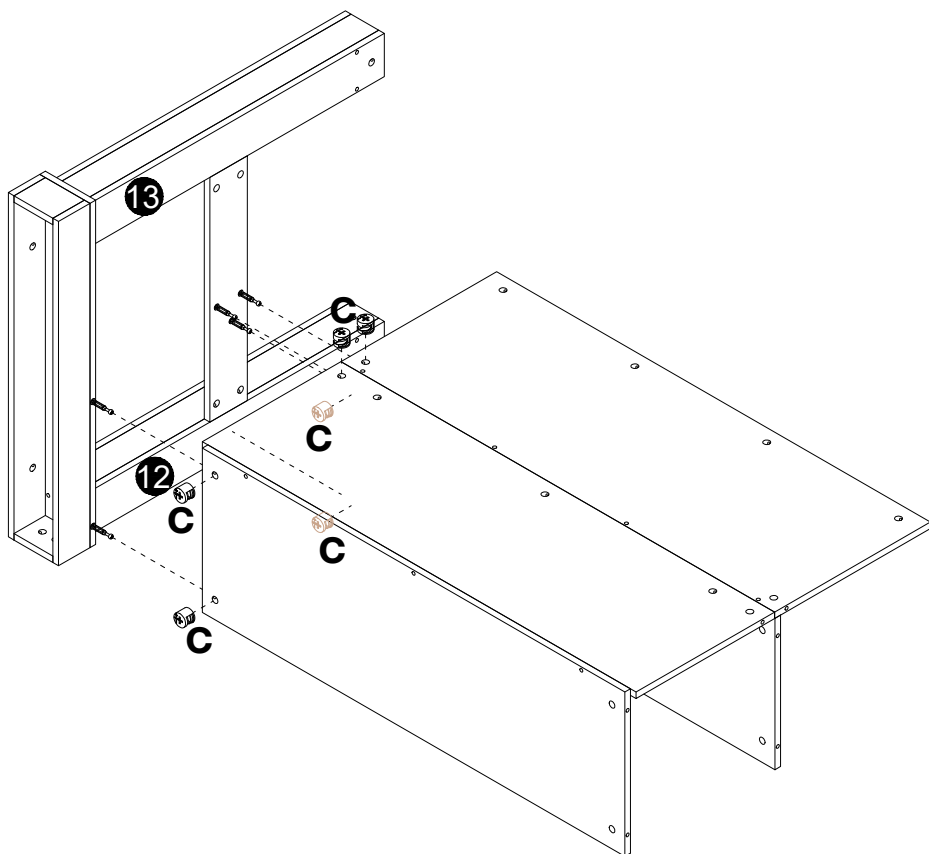


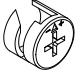
21



B

M7x50mm
7 pcs

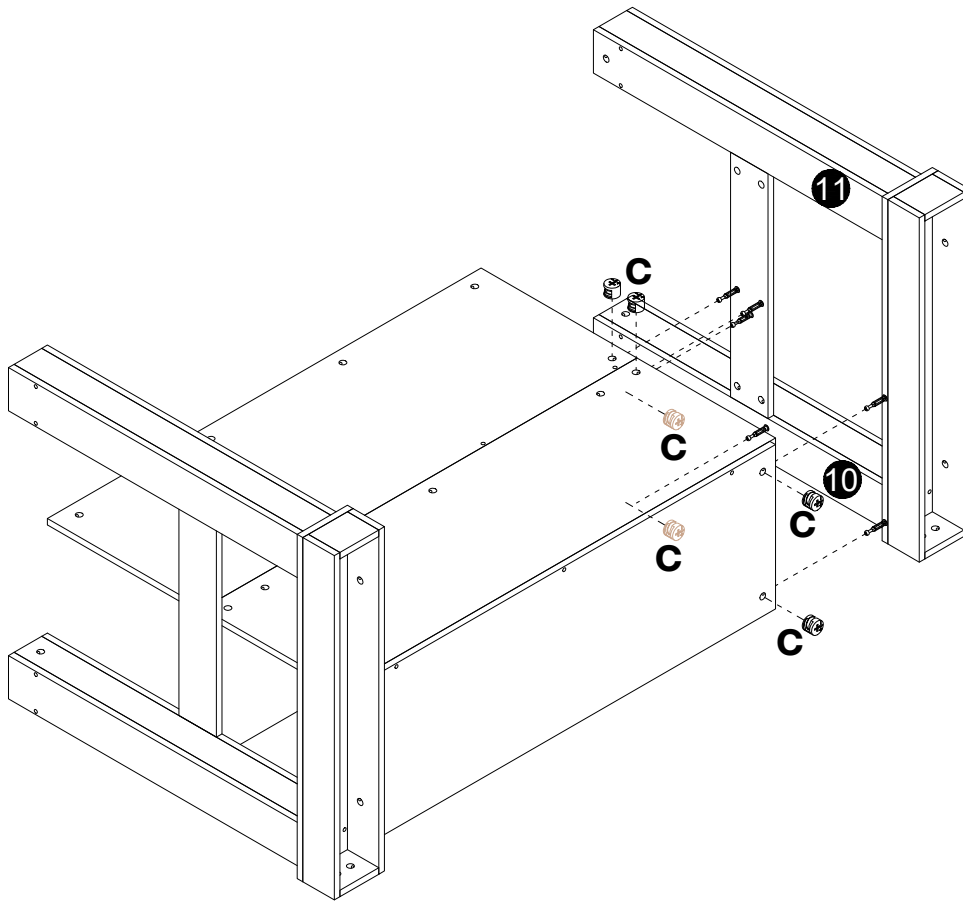
22



C

6 pcs

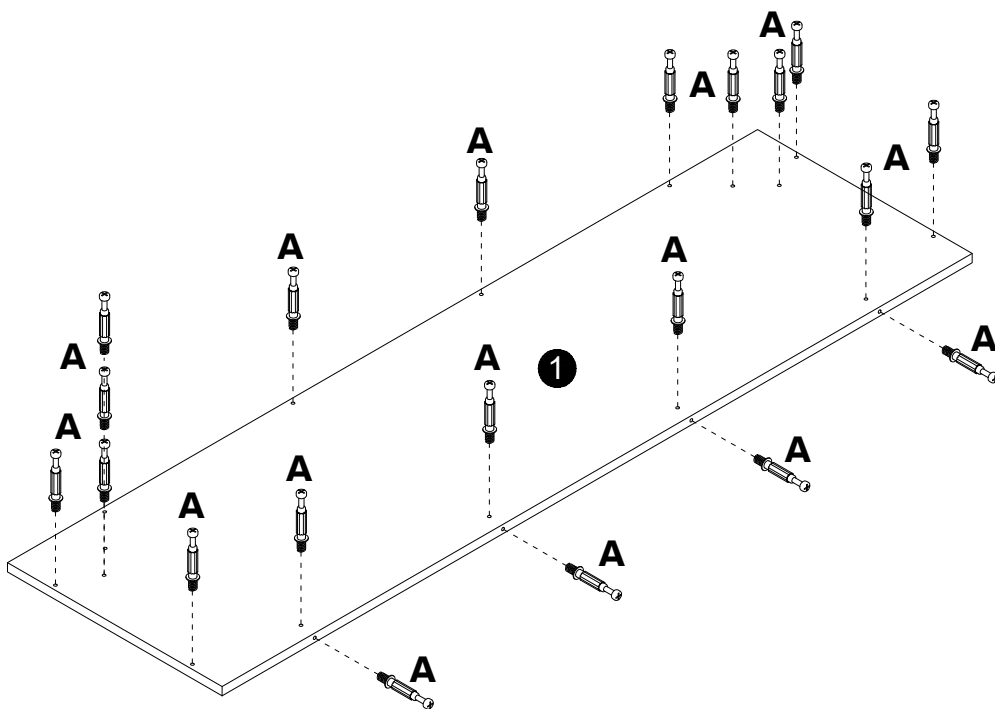


23



C
6 pcs

24

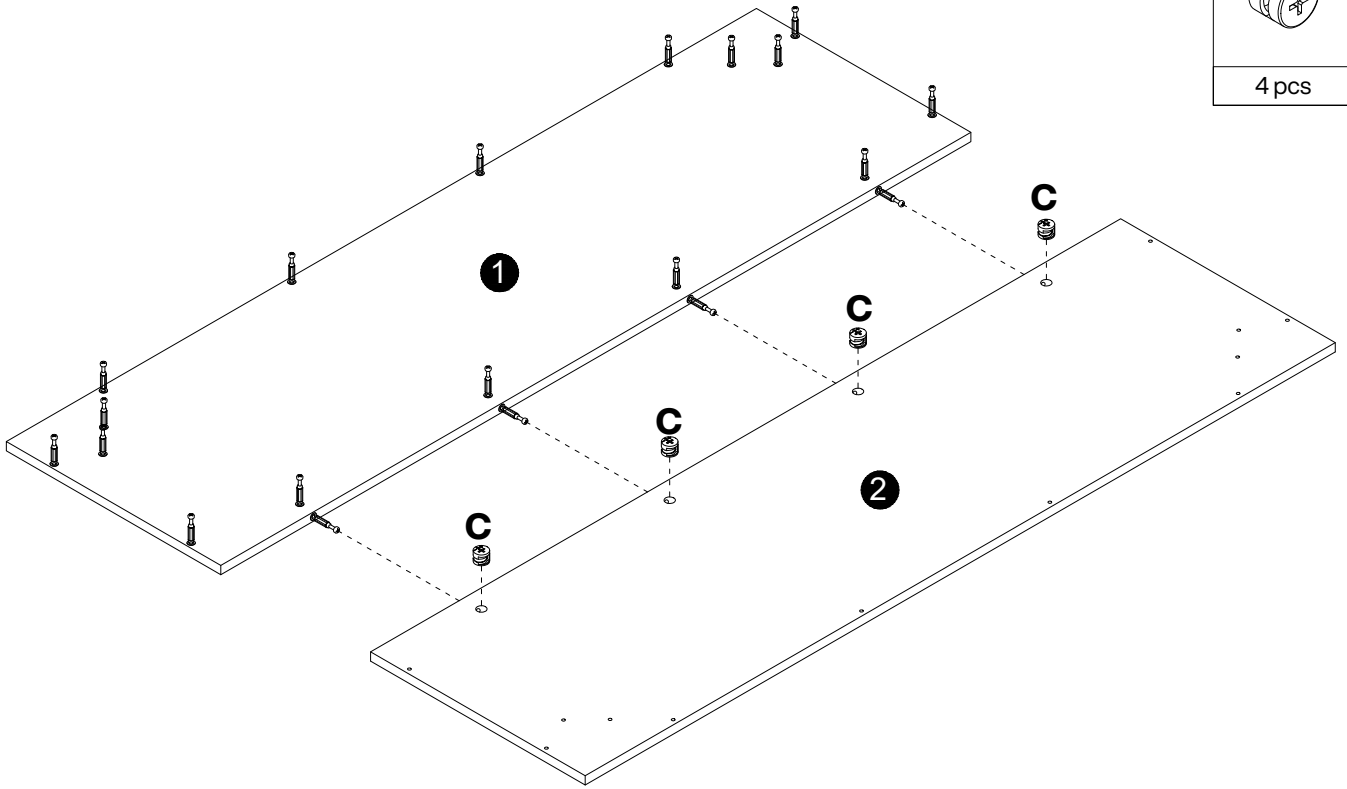


A
20 pcs



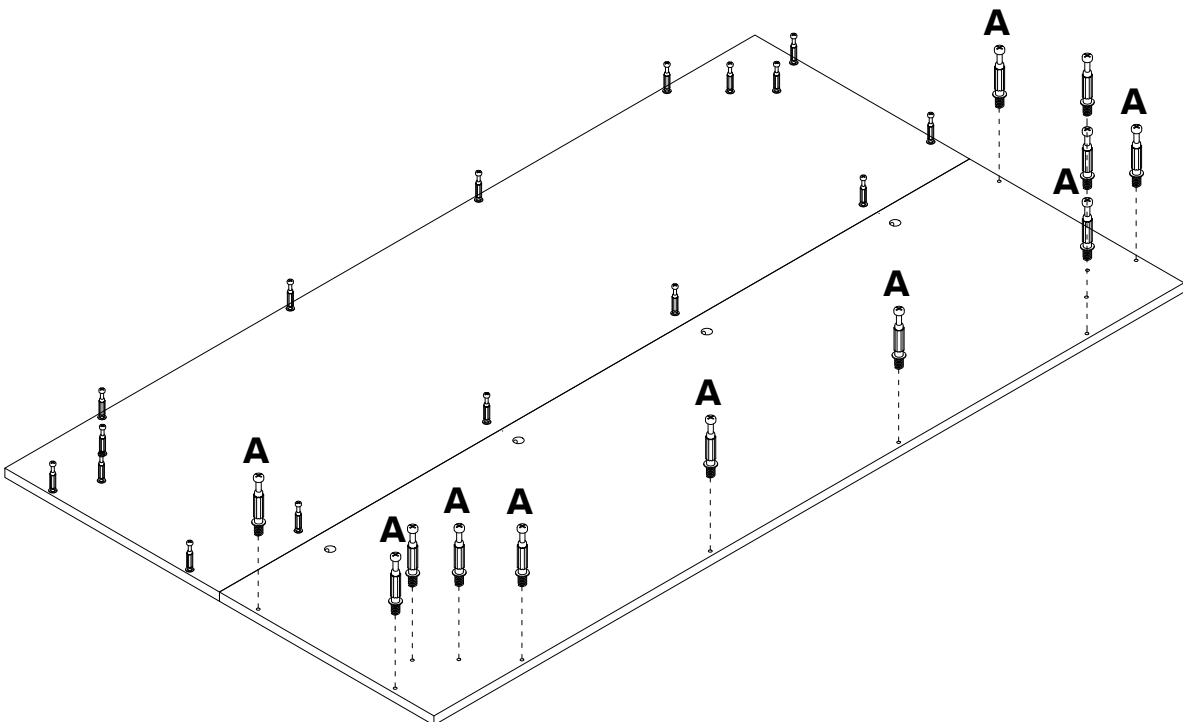
25

C
4 pcs



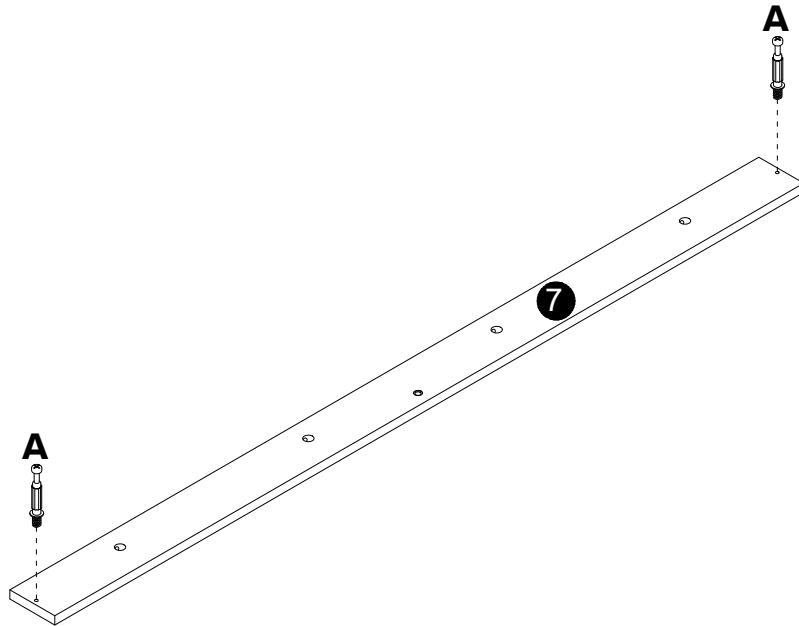
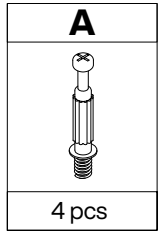
26

A
12 pcs



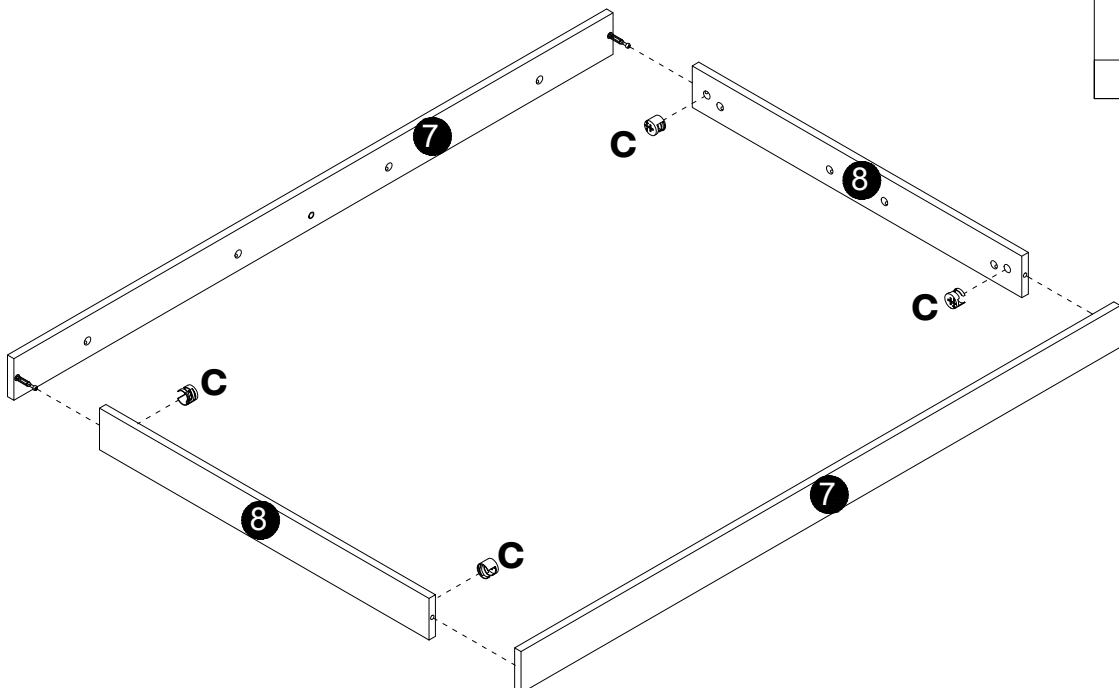
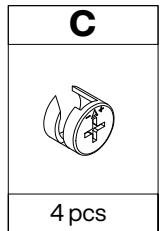


27



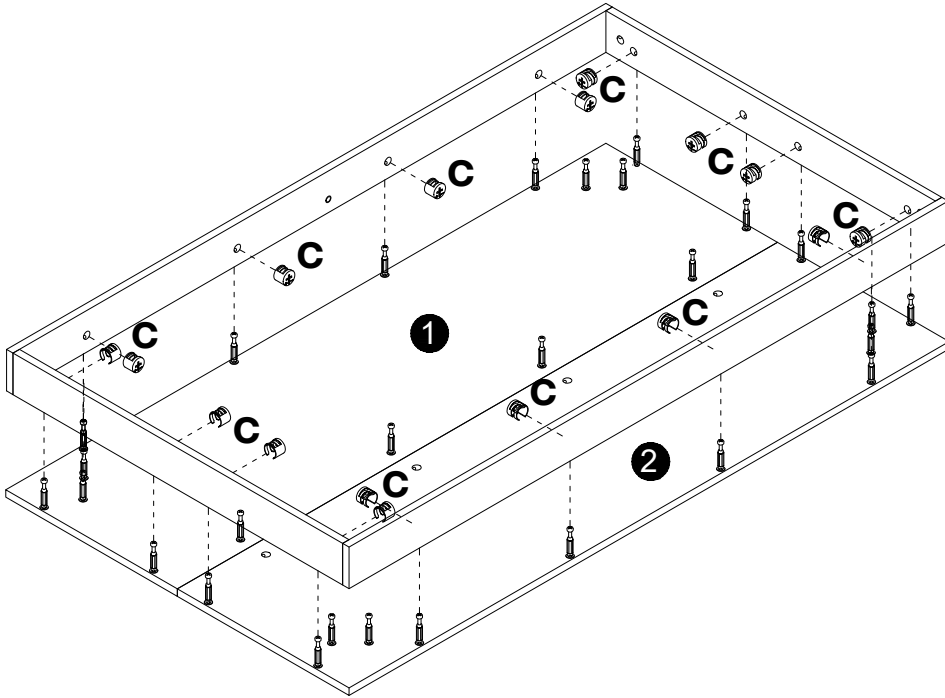
x2

28



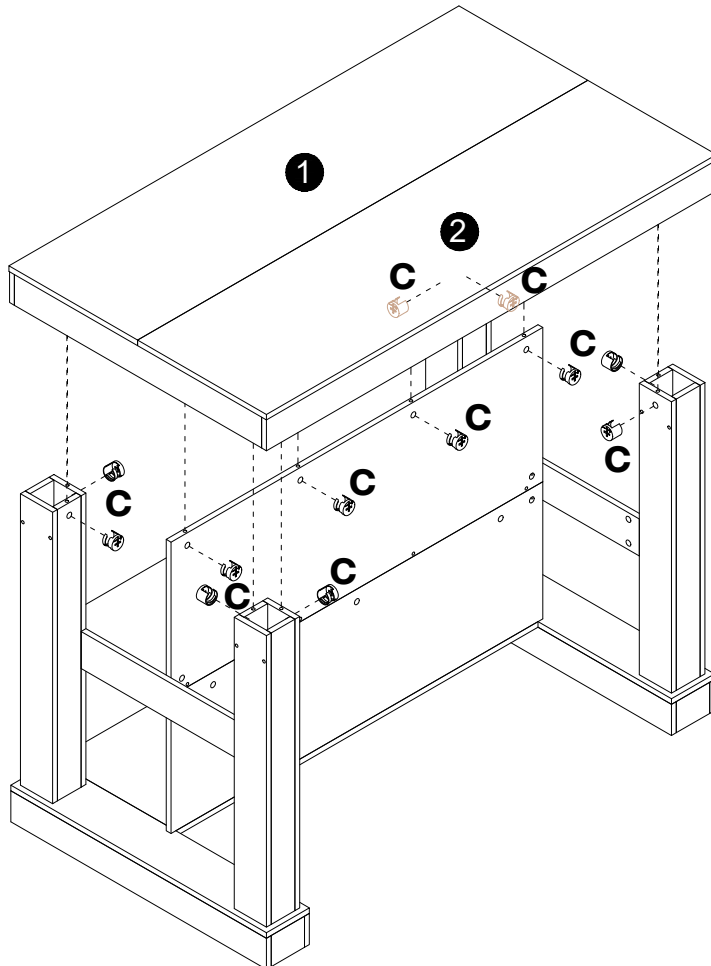


29



C
16 pcs

30



C
12 pcs



31

Z
1pc

