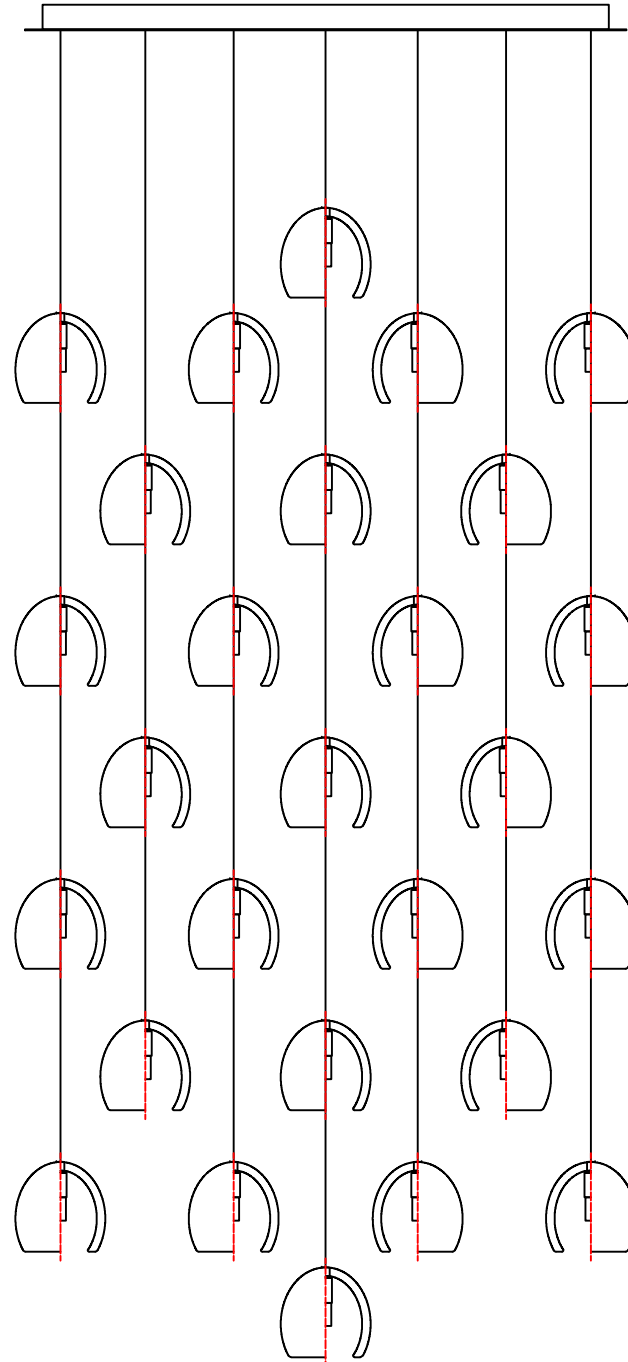
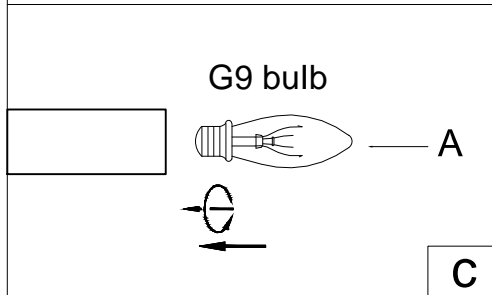
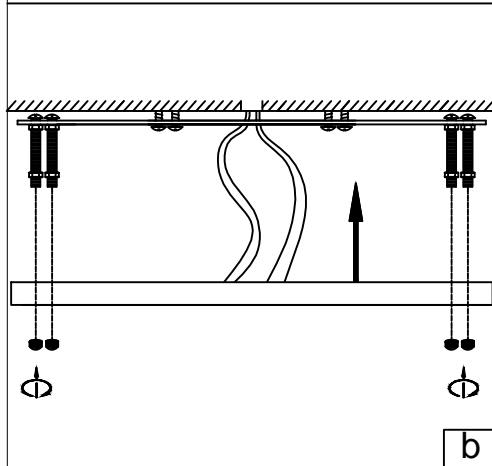
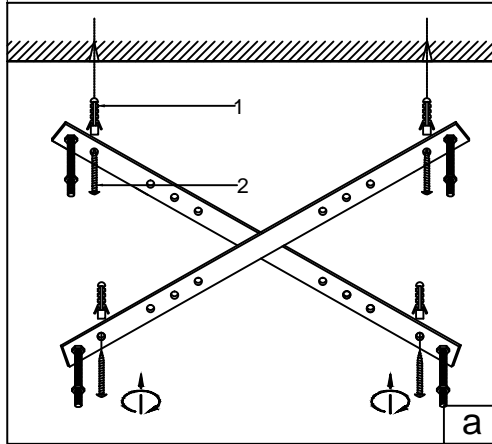


Model:

# Marble Lamp Assembly Diagram

## Accessory specification



Serial number	name	quantity	remarks
A	D13*13CM	36	
B			
C			
D			
E			
F			
G			
H			

matters needing attention

When maintaining lamps, be sure to cut off the power supply to prevent electric leakage!

1. This lamp is applicable to AC110-220 power supply.
2. Please wear gloves during installation.
3. Do not install it on the ceiling where the gray water is not dry.
4. Please turn off the power before cleaning

d