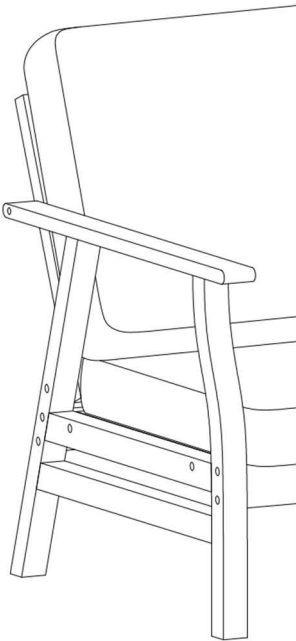


# Owner Manual



# WARRANTY

We strive to offer high quality product and we also try our best to satisfy each customer that order from us, no matter on products or services as needed. Each customer receives a record of their order, such as the order number or item receipt. For any items that are out of warranty period, you may still be able to purchase the replacement parts from our company if they are available.



# MAINTENANCE AND WARNING

Please read the manual thoroughly  
before you start installing.

Please keep the product away from  
sharp object.

Packaging and small parts may have  
chocking hazard, please keep them away  
from children and pets.

Please clean the product according to each  
clean code, check the product description  
for more information.

Please keep the product away from  
fire.

If you have any other questions, please  
contact us, we will be glad to help you out.

If the product is placed under direct  
sunlight, the pattern or color might fade  
away overtime.

Check the product periodically to make  
sure everything is secured and tightened.

Always use proper tools for installation.

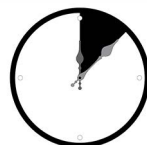
Do not jump on the product.



Two people




0-3



Around 45 min

# PRODUCT DESCRIPTION



Made with waterproof Oxford fabric, this chair is built to withstand various outdoor conditions and is easy to clean.

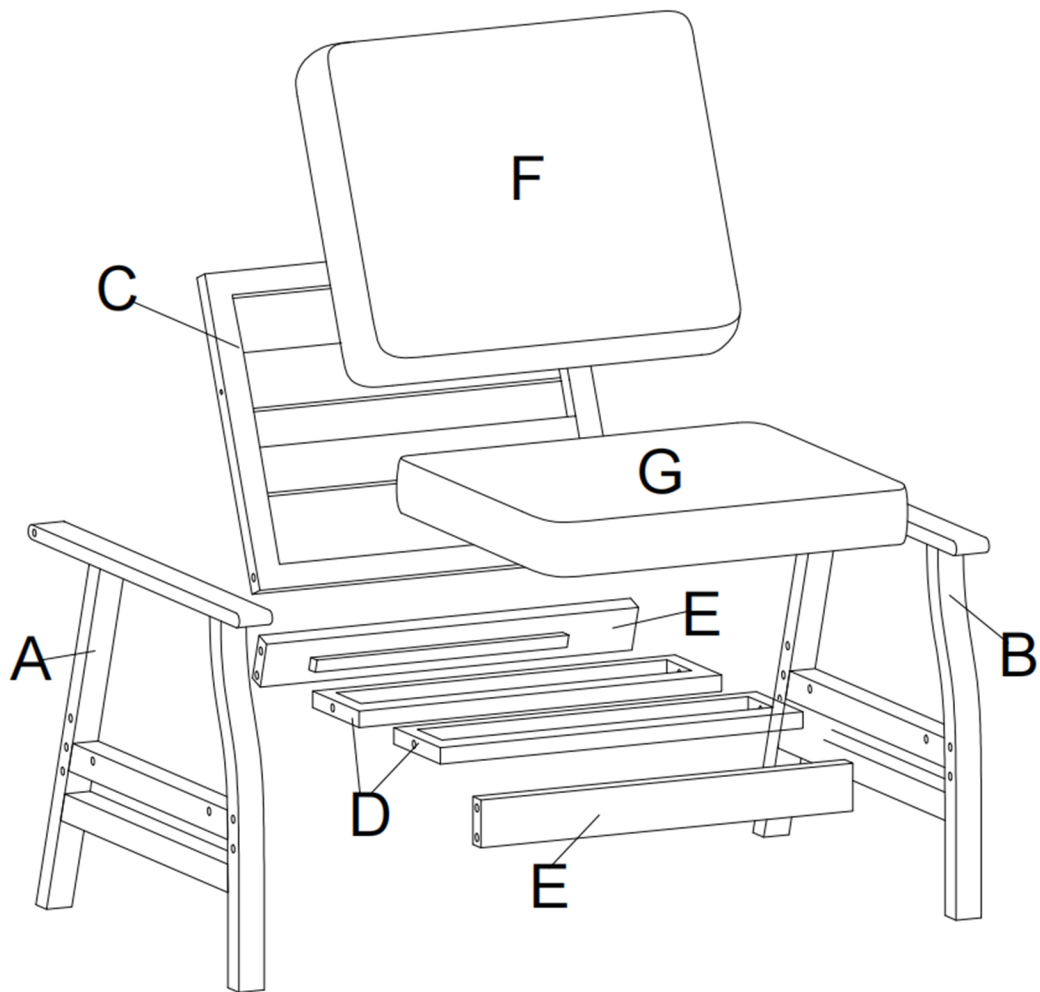
Soft, resilient cushions provide both comfort and support, making it perfect for extended outdoor relaxation.

The solid wood frame ensures long lasting strength and durability, with a weight capacity of 400 lbs.

· Ideal for patios, gardens, decks, and more, this chair suits any outdoor environment.

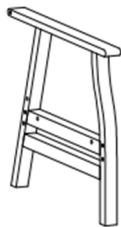
With its sturdy construction and weatherproof fabric, this chair is designed to last through all seasons.

# EXPLODED VIEW



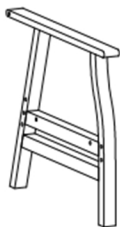
# PARTS

A\*1



Right arm

B\*1



Left arm

C\*1



Back frame

D\*2



Seat frame

E\*2



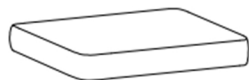
Support bar

F\*1



Back cushion

G\*1



Seat cushion

# HARDWARE

## TOOL LIST

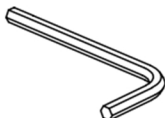
NOTE: Designated with (★) We provide additional spare parts in the hardware package

①\*12



M6\*50mm  
Bolts

③\*1



Allen key

④\*8



Vertical nut

⑤\*16



Black hole  
cover

⑥\*2



M6\*30mm  
Bolts

⑦\*2

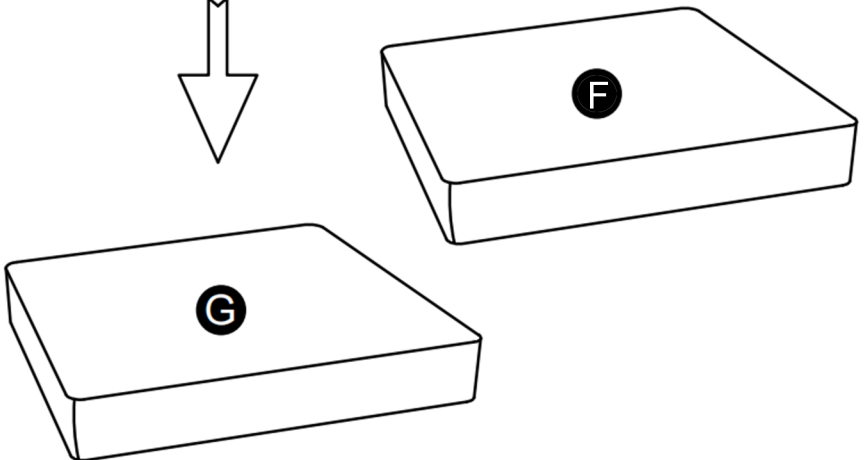
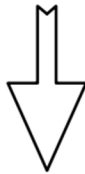
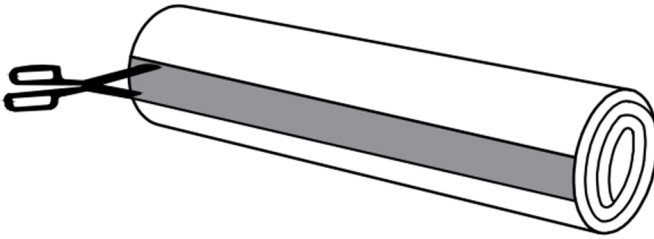
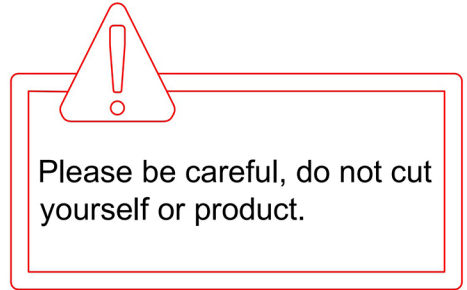


M6\*70mm  
Bolts

Please make sure all hardware&packing material fitting the list. Especially some small accessories may be missing during transportation. Please contact us if you have any question.

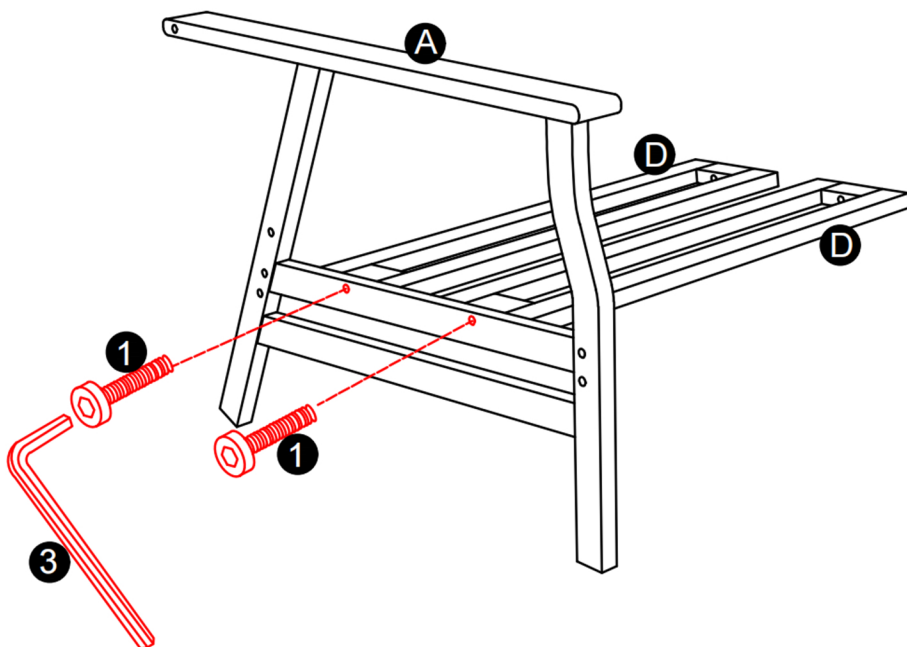
# step 1

After taking out the cushions (G&F) from the air compression bags, please allow them to recover for a period of time. It may take up to 48 hours to fully recover. You can gently slap them to speed up the process.



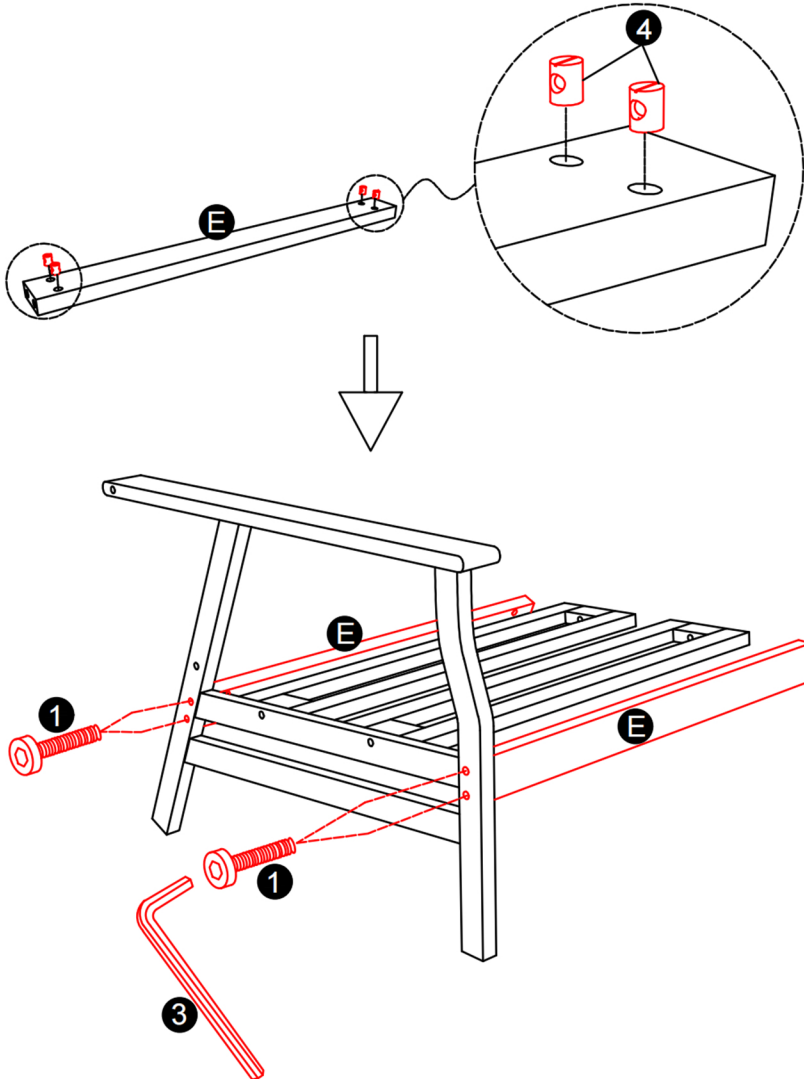
# step 2

Align Seat Frame (D) with the Right Armrest (A). Use Screws (1) to attach from the inside, tightening with Allen Wrench (3) provided.



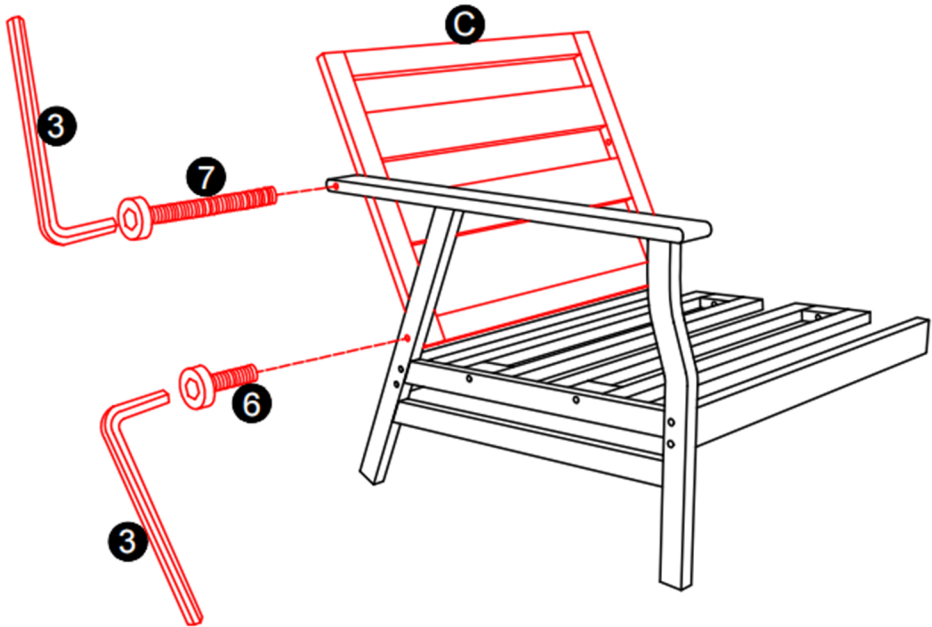
# step 3

Insert Vertical Nuts (4) into the designated holes of each support bar (E) as shown. Make sure the holes are aligned with the screw holes on the sides. Use Screws (1) and Allen Wrench (3) provided to attach the bars horizontally between Seat Frame (D) and Armrest (A) as shown.



# step 4

Align the Backrest Frame (C) with the holes on both armrest and seat frame as shown. Secure with Screws (7&6) on both sides and tighten firmly as show.



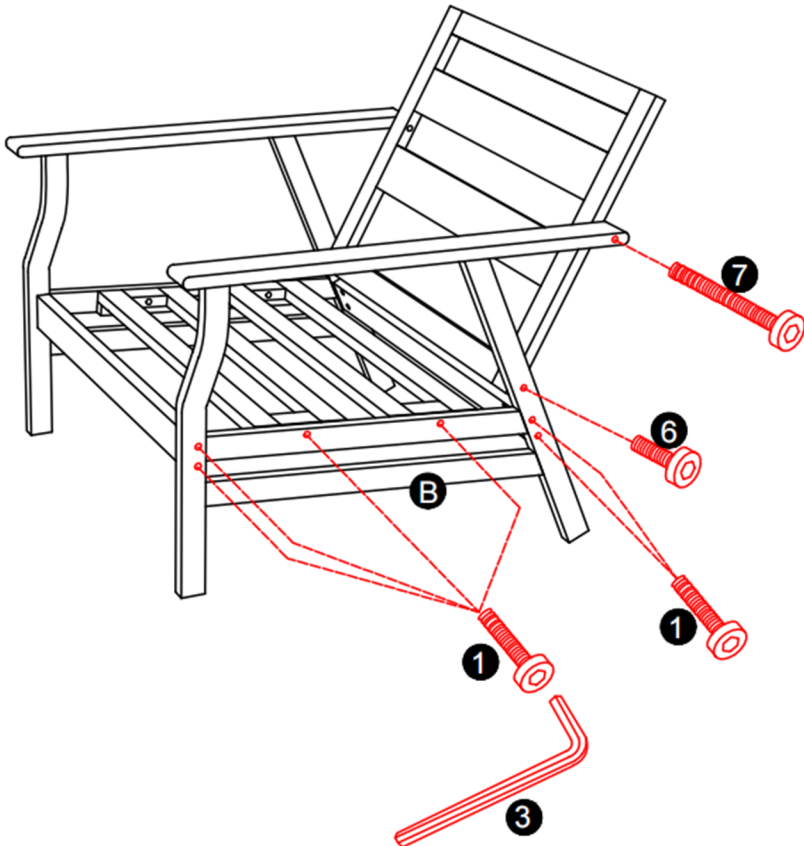
# step 5

Flip the frame. Position Left Armrest (B) over connection points. Tighten all Screws (1&6&7) on both armrest and seat frame as shown.



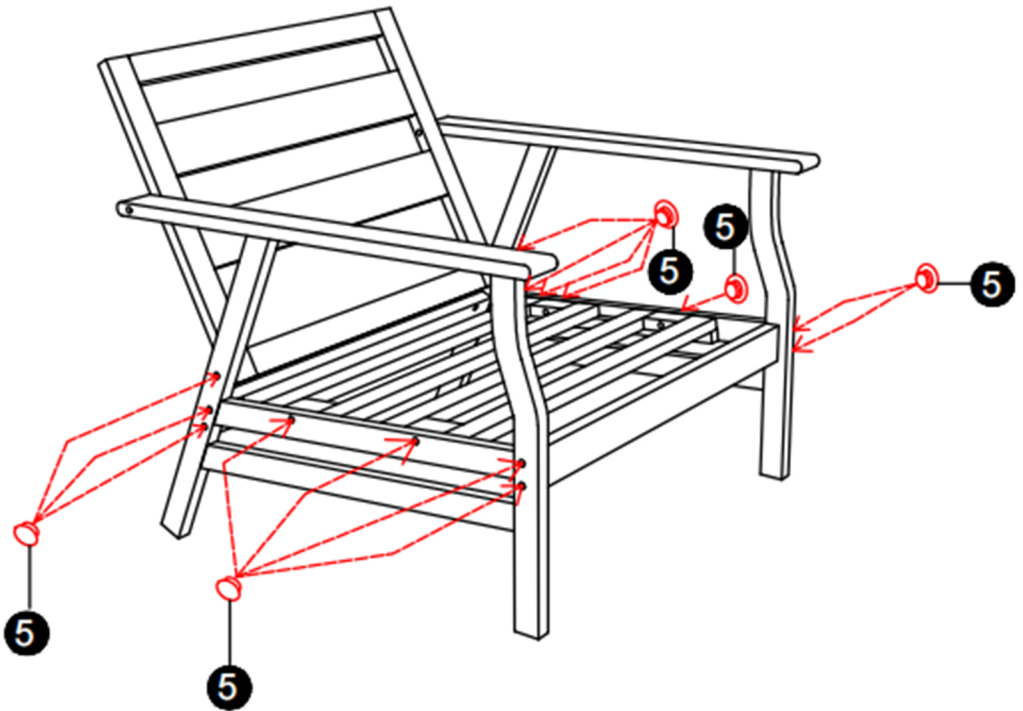
## Notice:

We suggest tightening the bolts for 30-50% first, make sure the process is correct and bolt holes are aligned, then fully tightening them all.



# step 6

Cover each screw hole with Plastic Caps (5). Press down firmly until flush with the surface.



# step 7

Place the Seat Cushion (G) with the tag side up. Place the Back Cushion (F) against the backrest with the tag facing front as shown.

