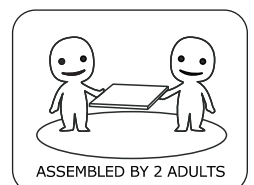
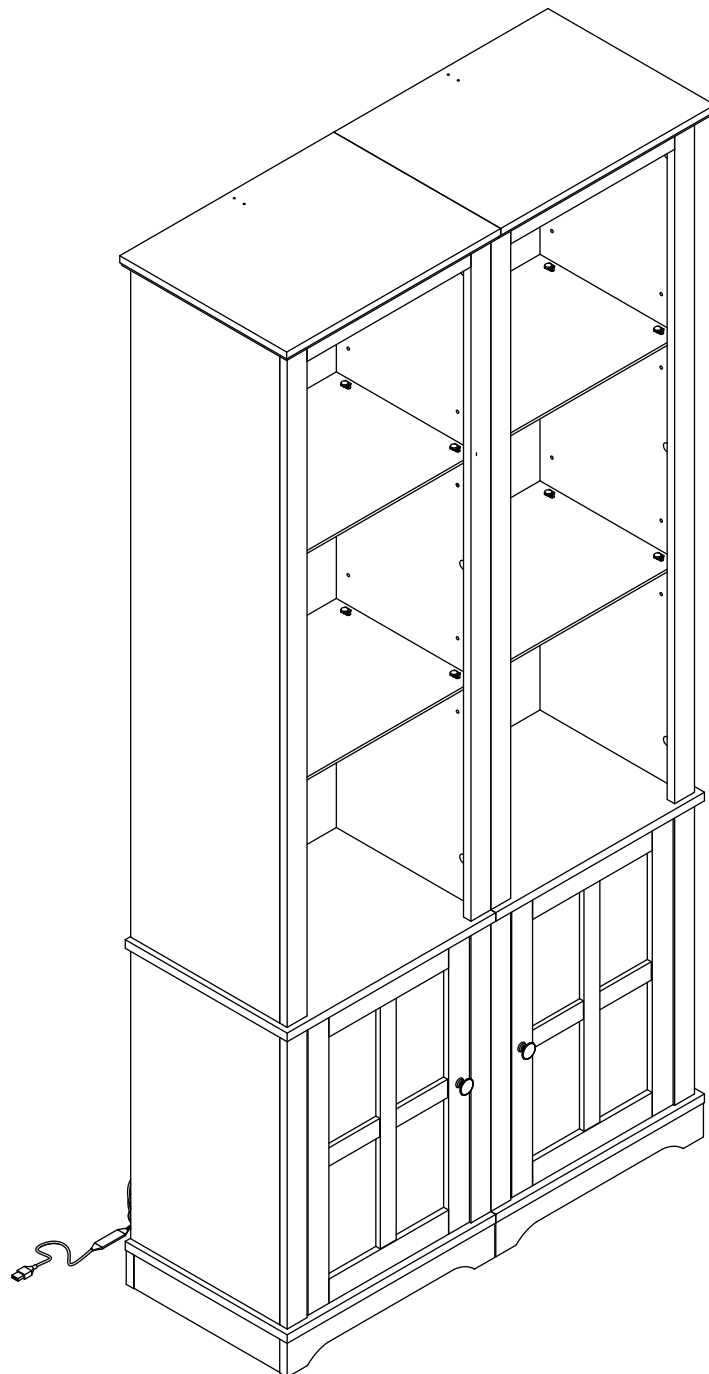


MANUAL INSTRUCTION

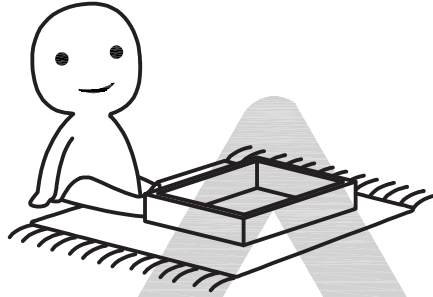
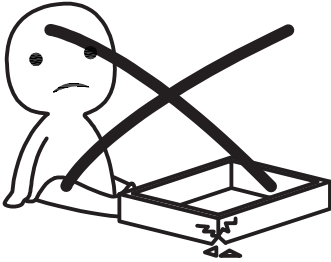
2 Bookshelves





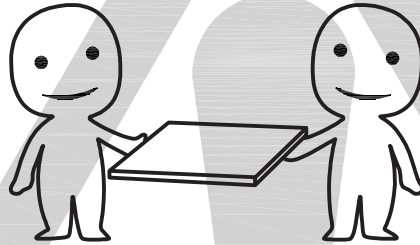
IMPORTANT INFORMATION!

please read the entire manual before starting to assemble and/or using this product, follow the manual thoroughly and keep it for further reference.



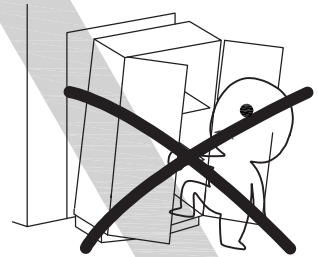
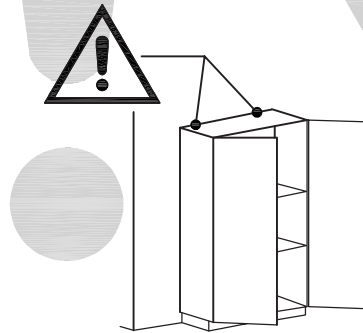
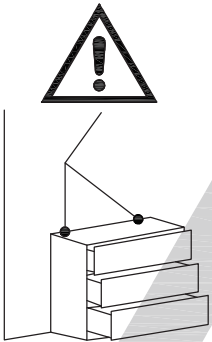
AVOID SCRATCHES!

In order to avoid scratching this furniture should be assembled on a soft layer-could be a rug.



IMPROVE EFFICIENCY !

Try to find a partner to install with you, which can speed up the installation efficiency and shorten the time.



ANTI-TOPPLE WARNING !

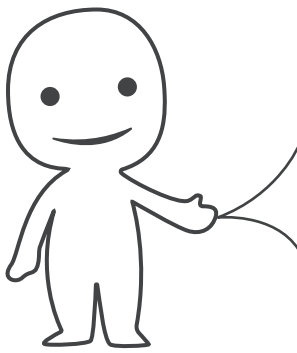
Overturned furniture can cause serious or fatal crush injuries, To prevent tipping over ,be sure to use the wall attachment, if not included with this product. please purchase the wall attachment that fit your wall.If unsure, seek professional advice.Please read and follow each step of the instructions carefully.

IMPORTANT !

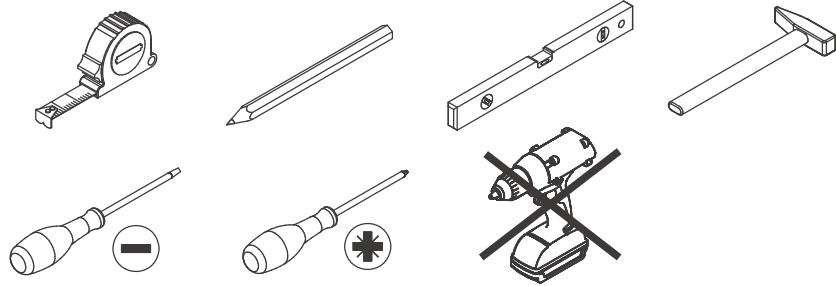
It is important that any product which is assembled using any kind of screw is re-tightened 2 weeks after assembly, and once every 3 months - in order to assure stability through-out the lifespan of the product.

For regular maintenance and cleaning of the product, for the frame, please use a rag dipped in neutral detergent to fully wipe it, and then dry it with a clean rag. For glass materials, wipe with a rag dampened with water glass cleaner, and then dry with a dry rag.

Do not use an electric screwdriver, and do not use too much force when installing, because the board is easy to break.

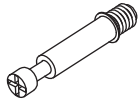

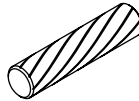
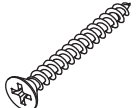
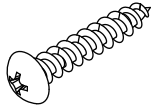

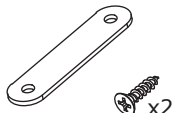


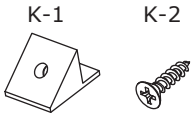
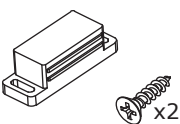
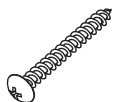
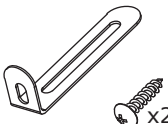
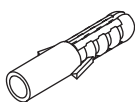
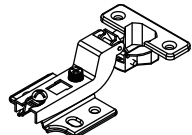

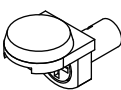
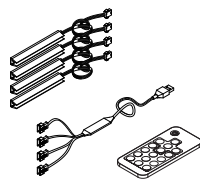
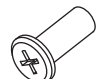



Please prepare the following tools

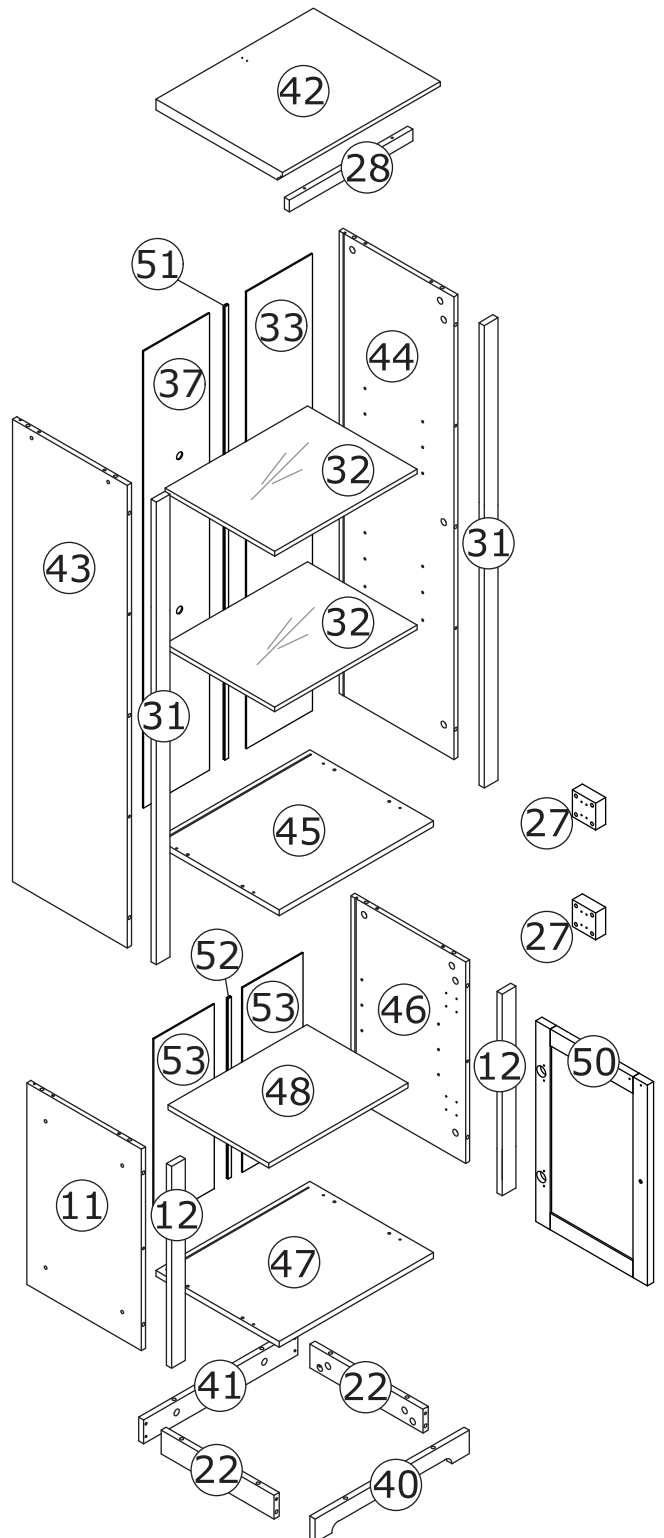
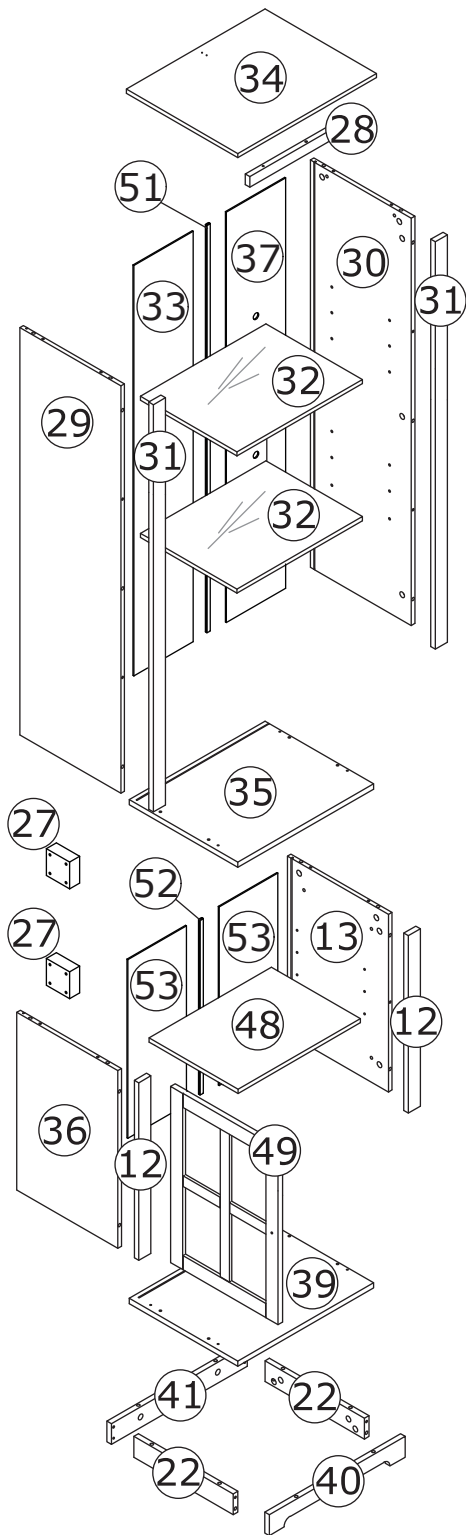


When installing, please carefully confirm whether each screw corresponds to the manual, accessories with similar shapes can be distinguished by size

I HARDWARE

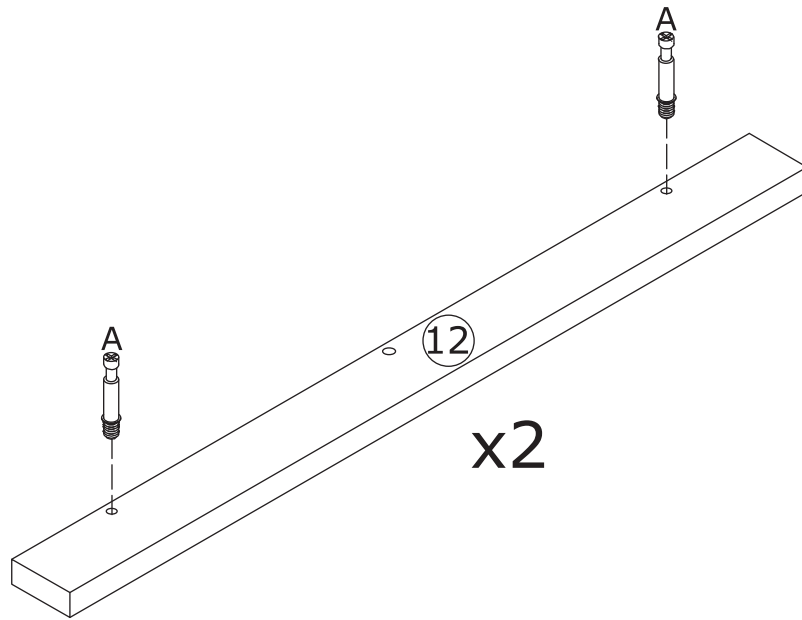
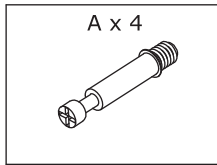
<p>A x 60(+3)</p>  <p>Ø6 x 35 mm</p>	<p>B x 60(+3)</p>  <p>Ø15 x 10 mm</p>	<p>C x 58(+3)</p>  <p>Ø6 x 30 mm</p>	<p>D x 18(+2)</p>  <p>Ø4 x 35 mm</p>	<p>E x 16</p>  <p>Ø4 x 30 mm</p>
<p>F x 2</p> 	<p>G x 2</p>  <p>x2</p>	<p>H x 36(+2)</p>  <p>Ø20 mm</p>	<p>J x 8(+1)</p> 	<p>K x 44(+3)</p> <p>K-1 K-2</p>  <p>Ø3 x 14 mm</p>
<p>L x 2</p>  <p>x2</p>	<p>M x 4</p>  <p>Ø4 x 35 mm</p>	<p>N x 2</p>  <p>x2</p> <p>Ø4 x 12 mm</p>	<p>O x 2</p>  <p>Ø6 x 30 mm</p>	<p>S x 4</p> 
<p>T x 24</p>  <p>Ø4 x 14 mm</p>	<p>U x 16</p> 	<p>V x 1</p> 	<p>W x 12</p>  <p>Ø6 x 18 mm</p>	<p>X x 12</p>  <p>Ø6 x 18 mm</p>

I PARTS

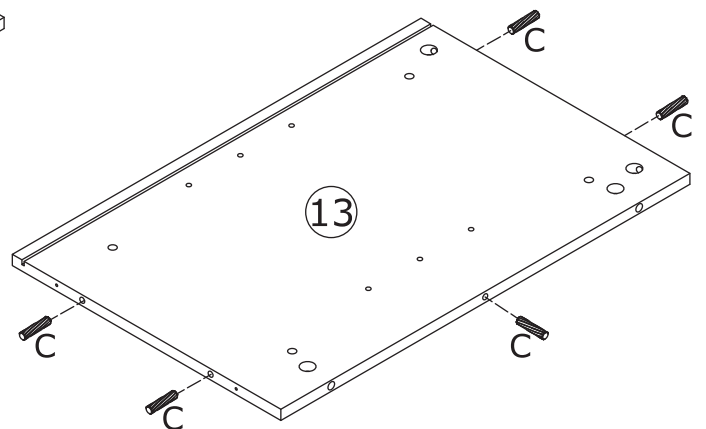
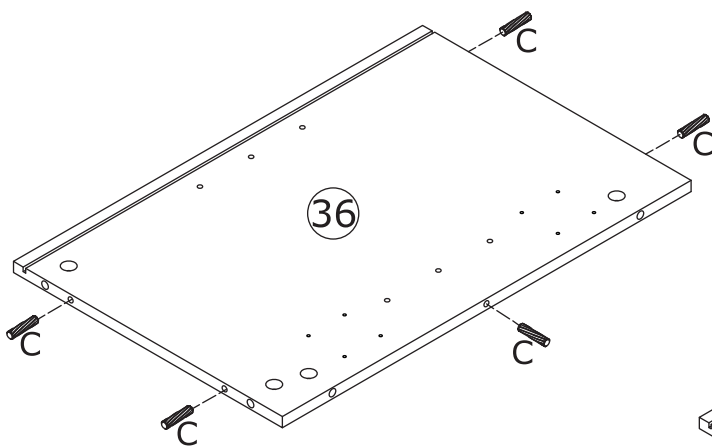
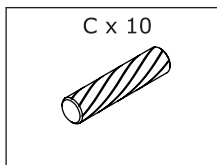


I PRODUCT ASSEMBLY

1

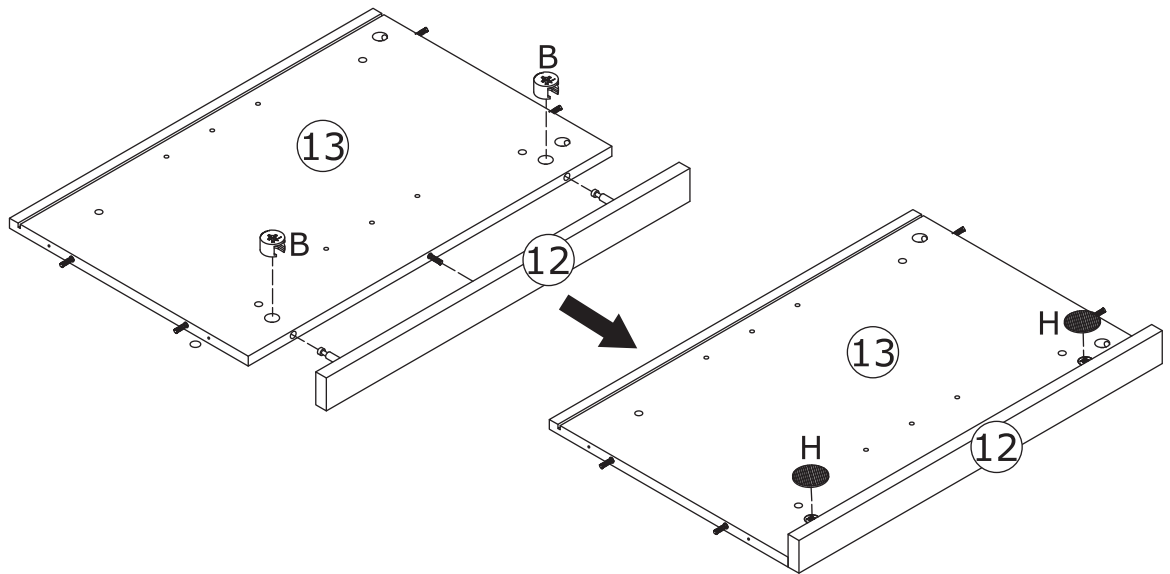
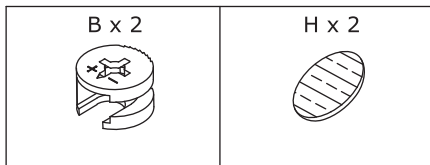


2

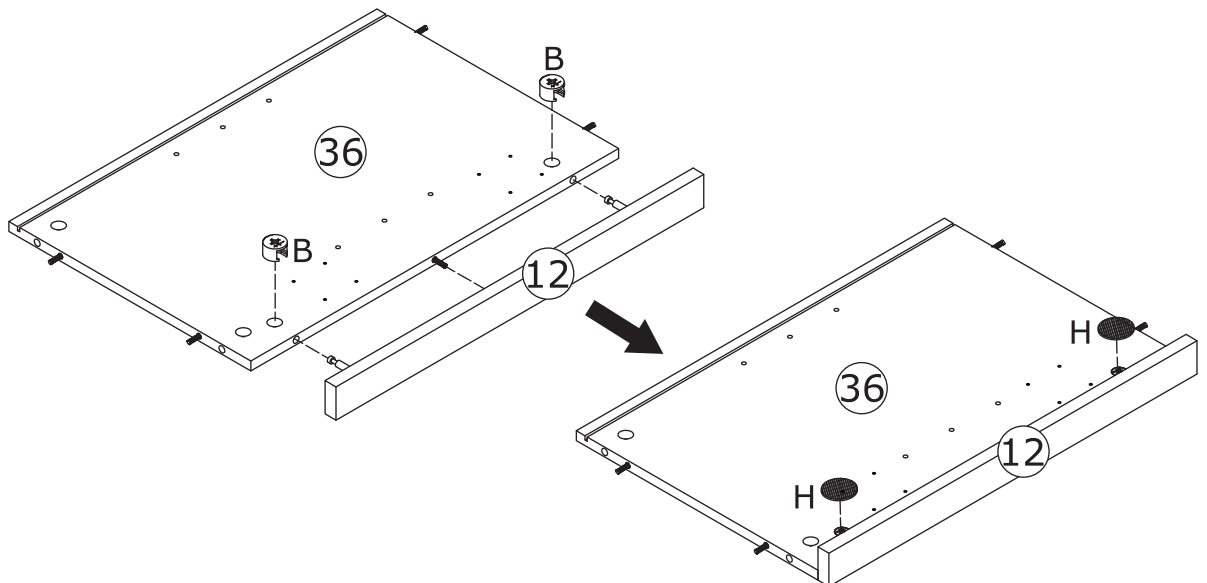
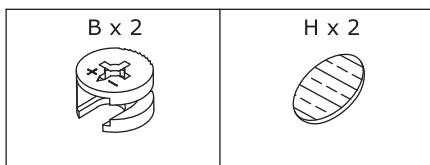


I PRODUCT ASSEMBLY

3

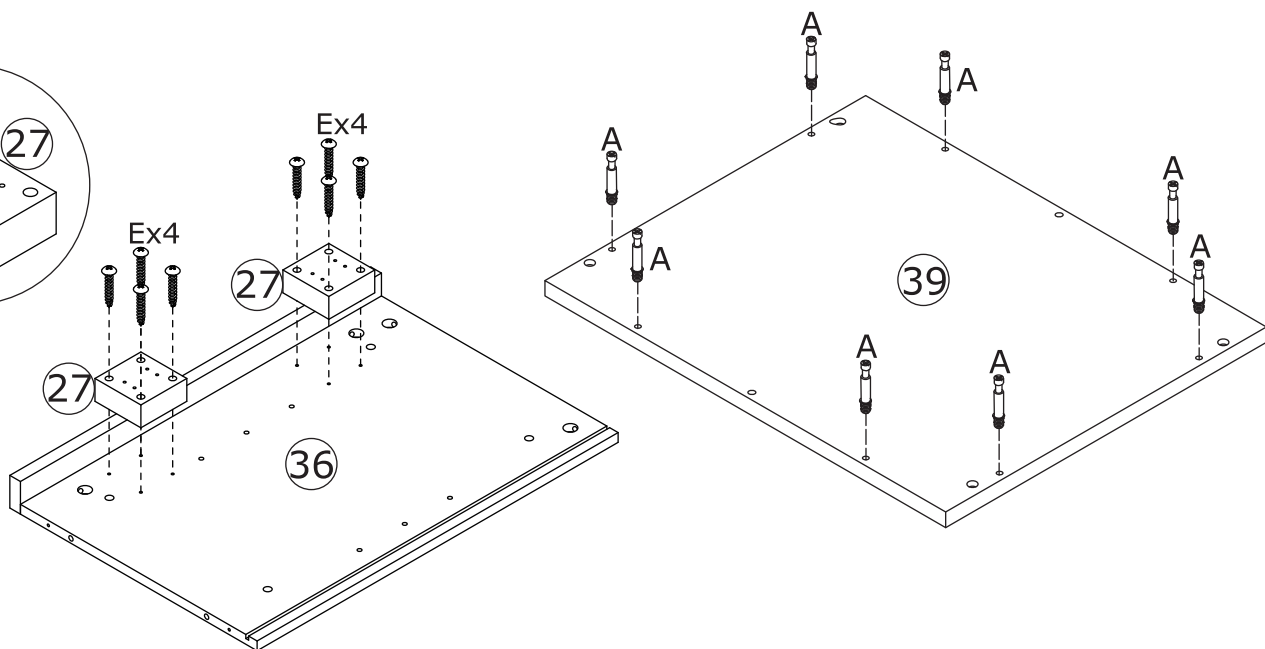
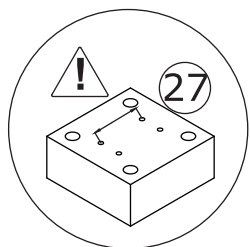
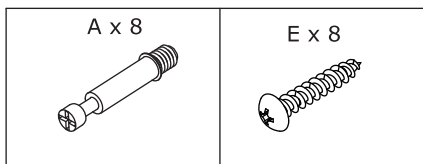


4

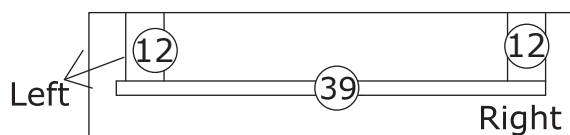
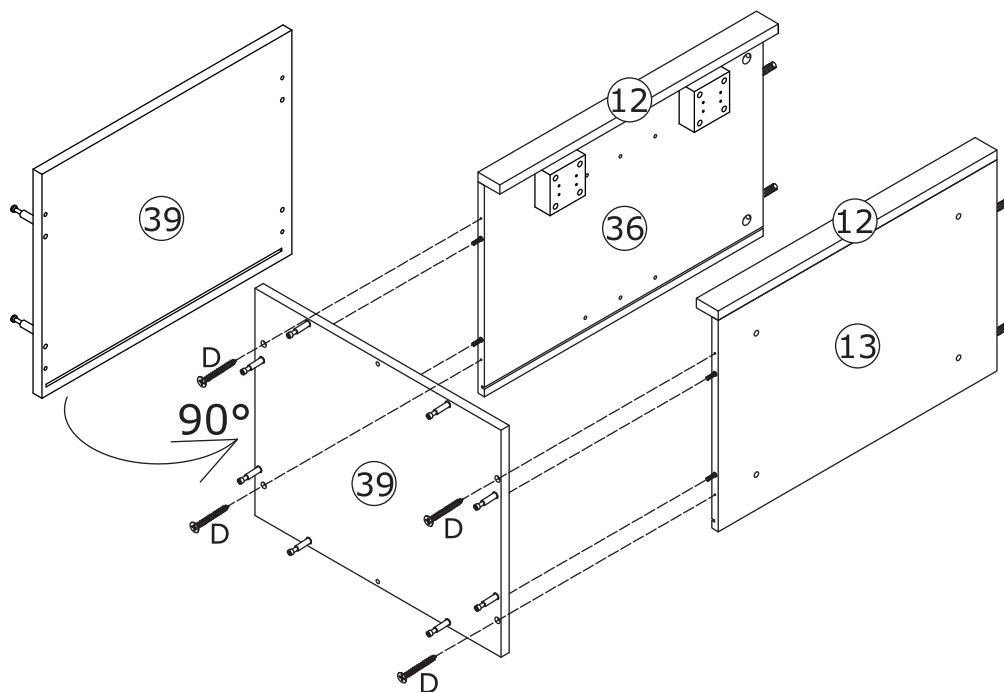
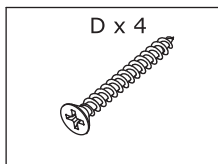


I PRODUCT ASSEMBLY

5

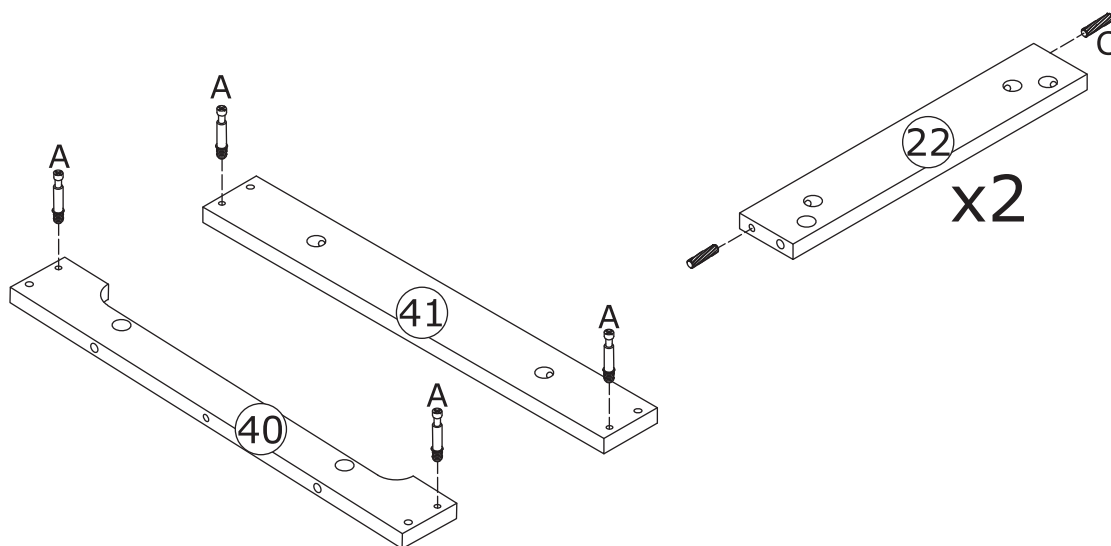
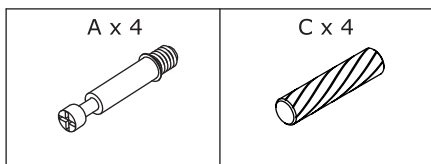


6

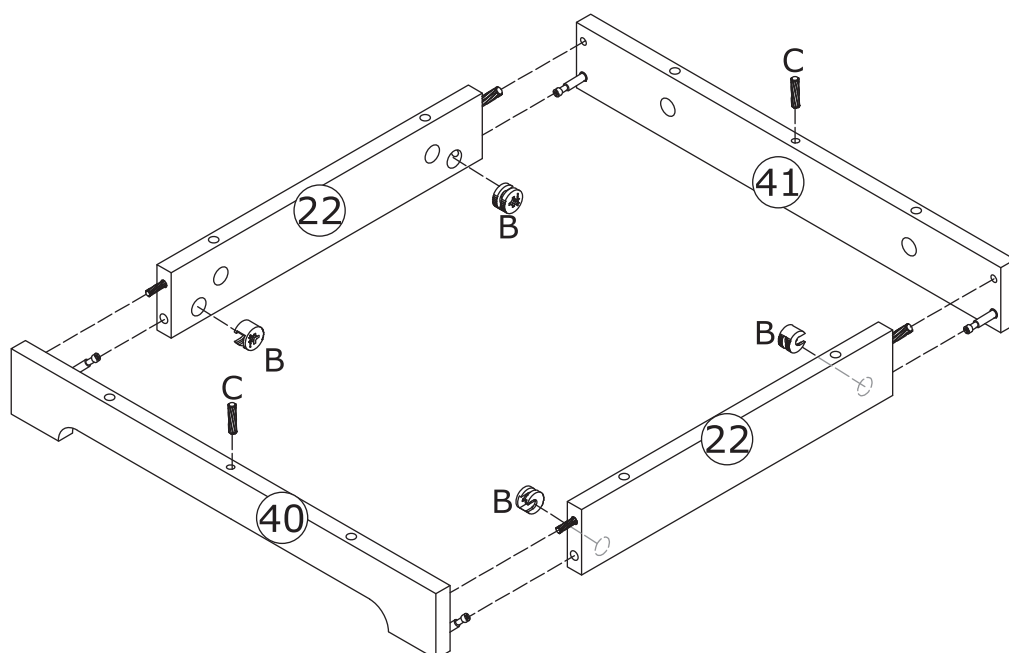
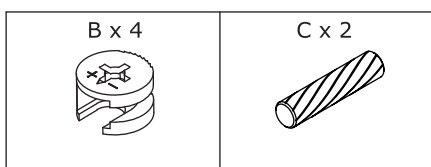


I PRODUCT ASSEMBLY

7

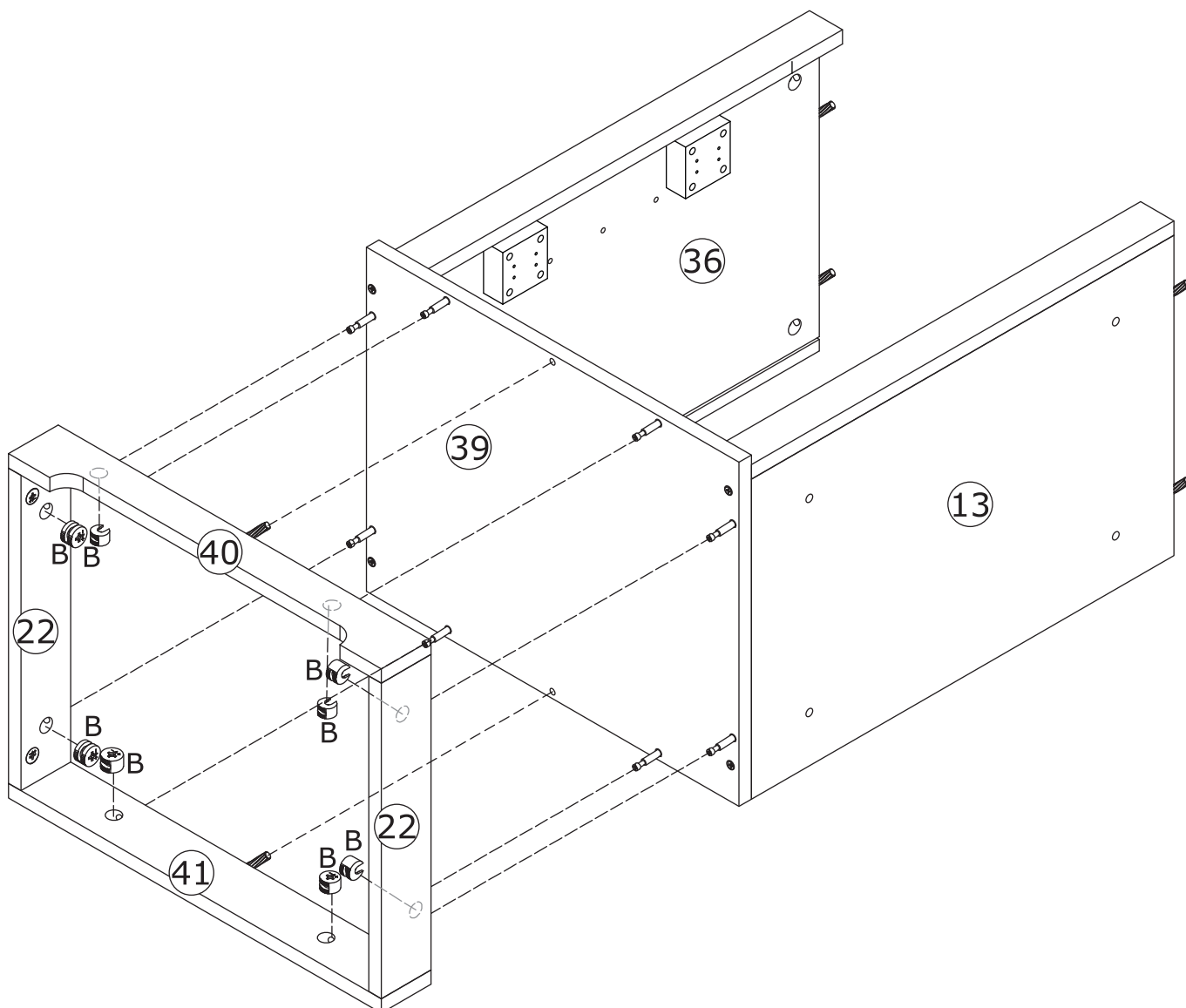
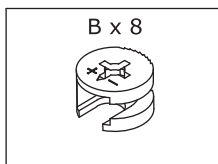


8



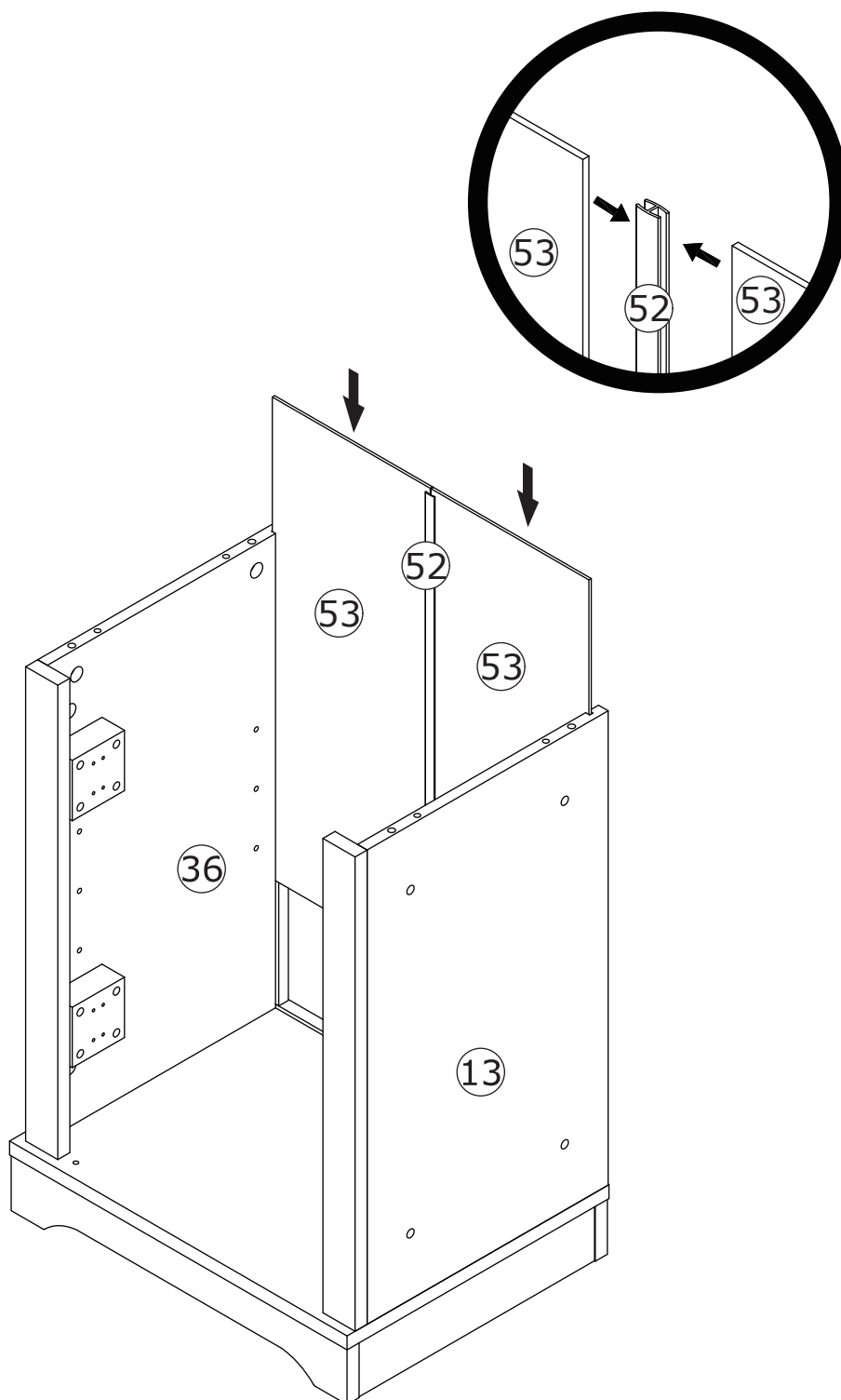
I PRODUCT ASSEMBLY

9



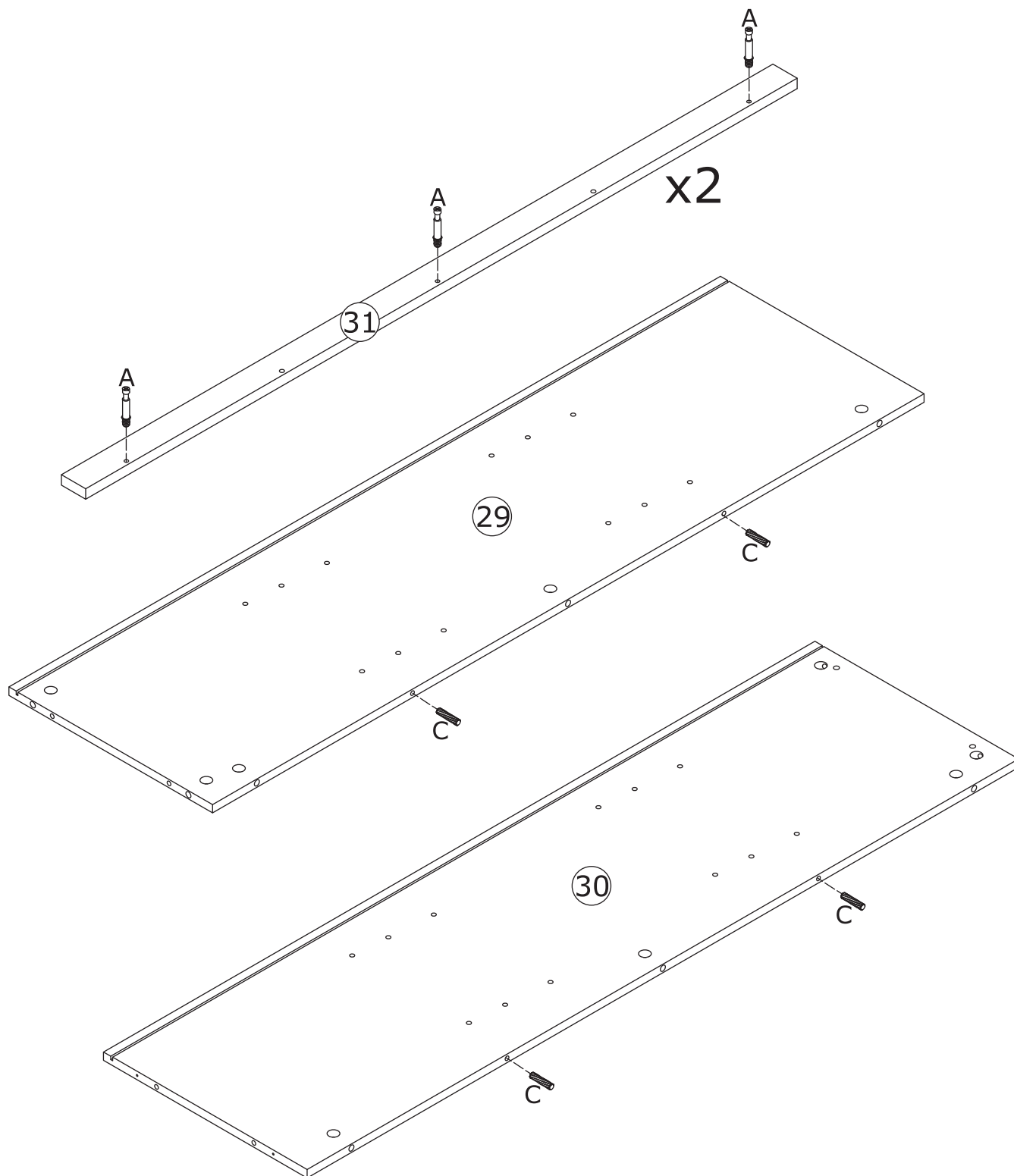
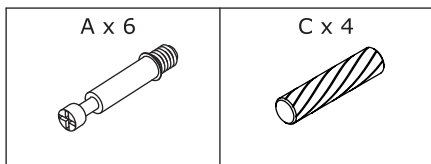
I PRODUCT ASSEMBLY

10



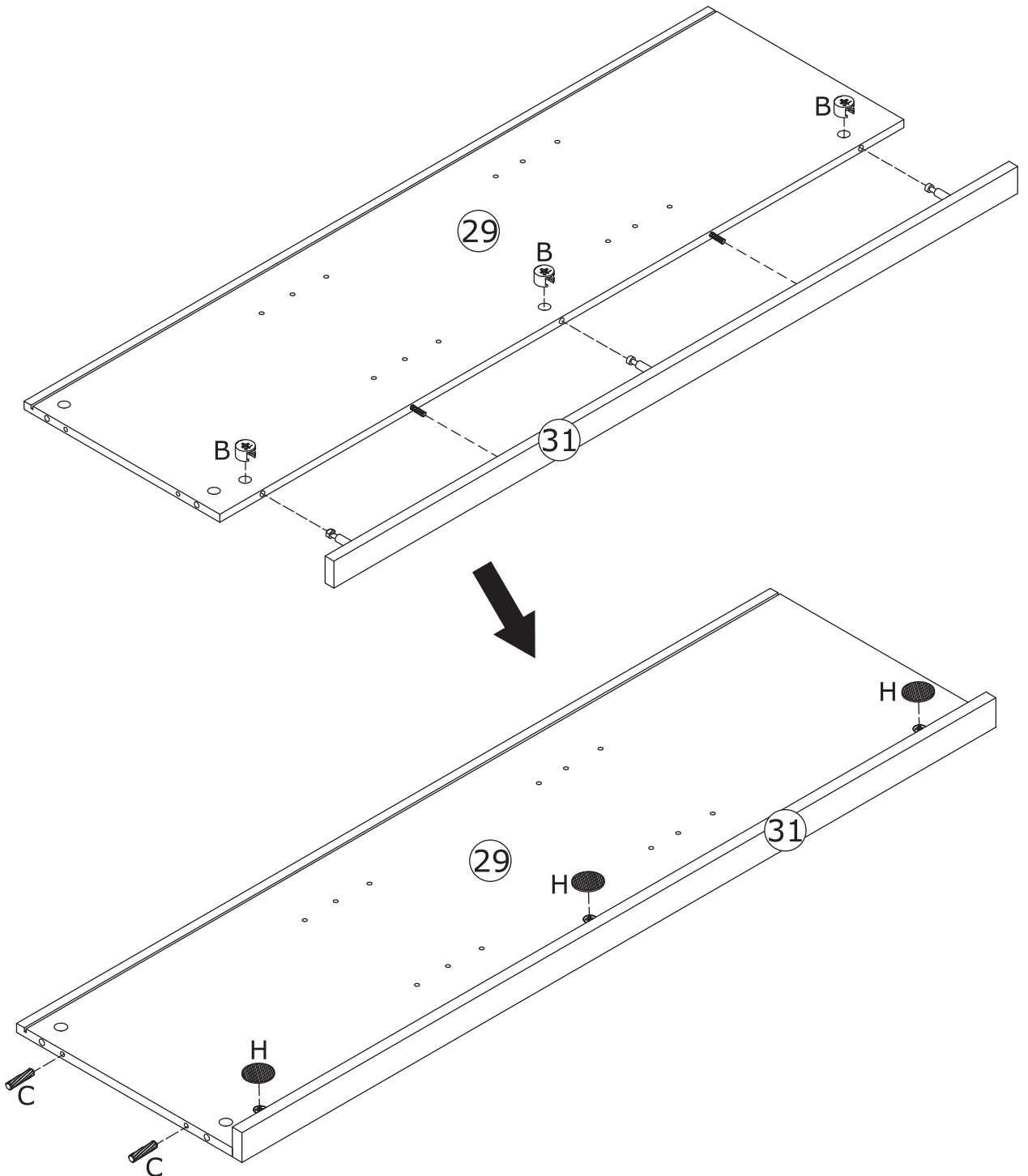
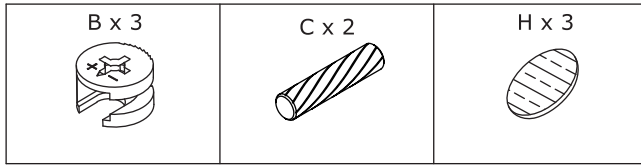
I PRODUCT ASSEMBLY

11




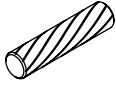

I PRODUCT ASSEMBLY

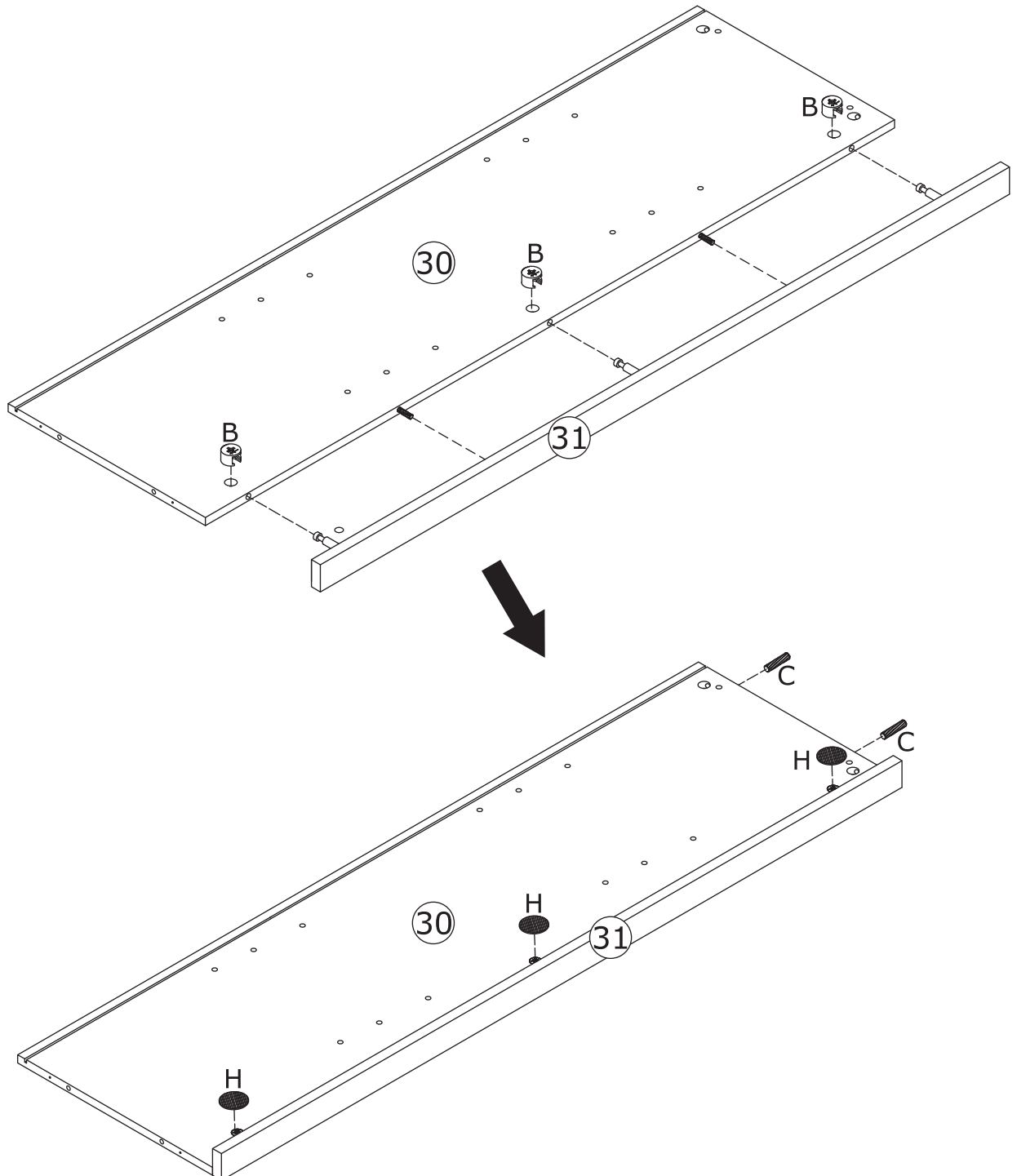
12



I PRODUCT ASSEMBLY

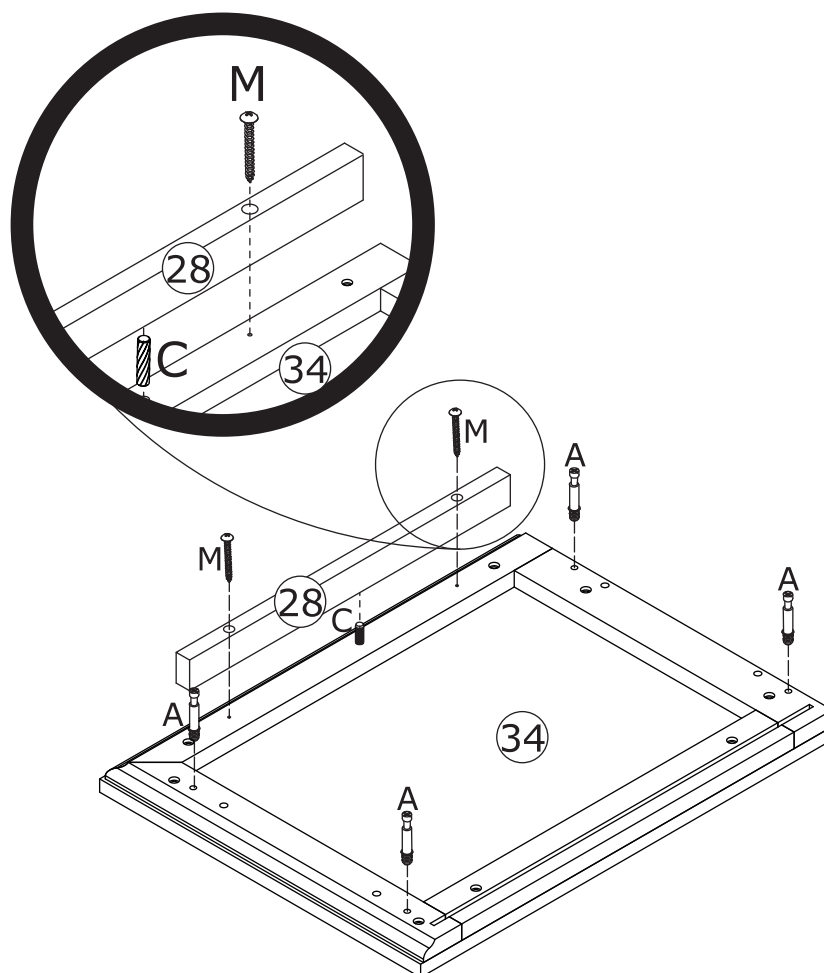
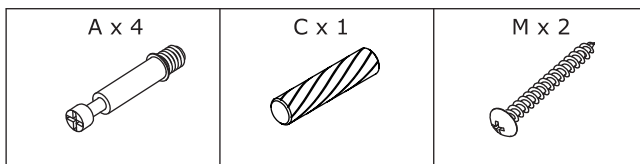
13

B x 3 	C x 2 	H x 3 
--	--	--



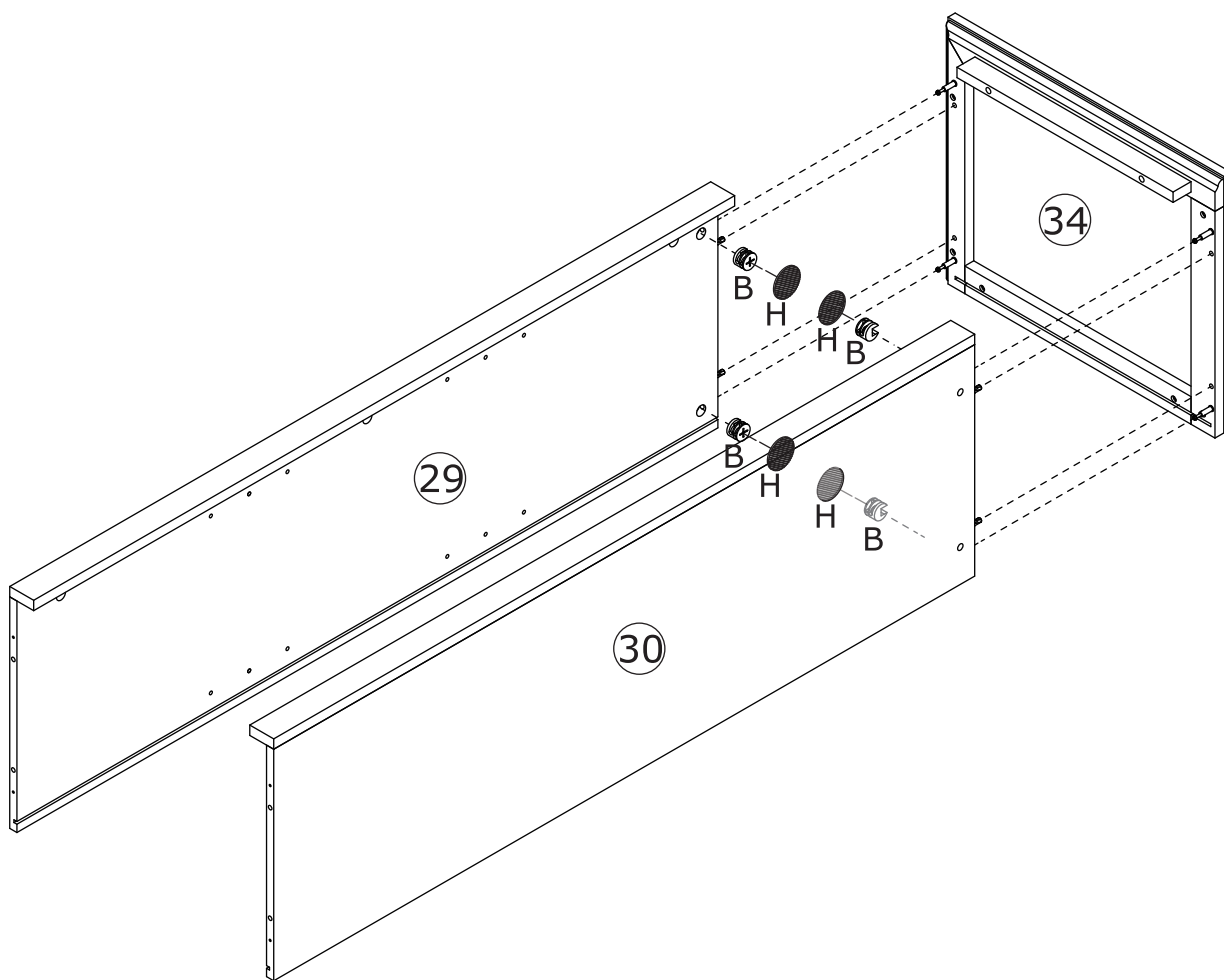
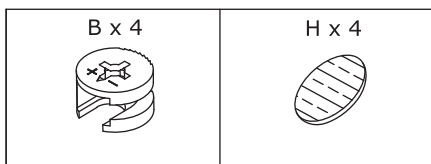
I PRODUCT ASSEMBLY

14



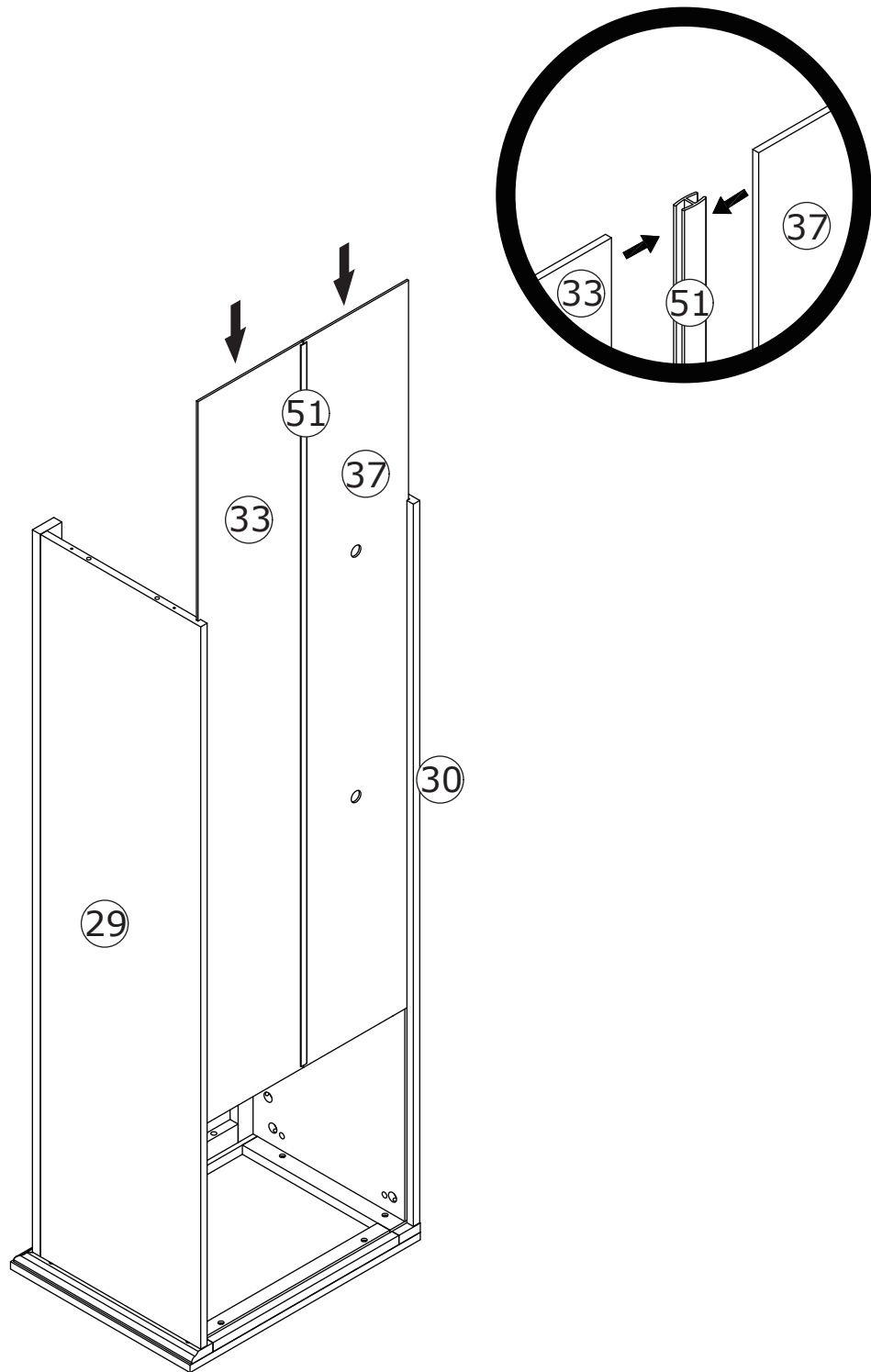
I PRODUCT ASSEMBLY

15



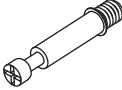
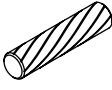
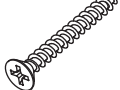
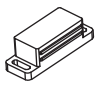

I PRODUCT ASSEMBLY

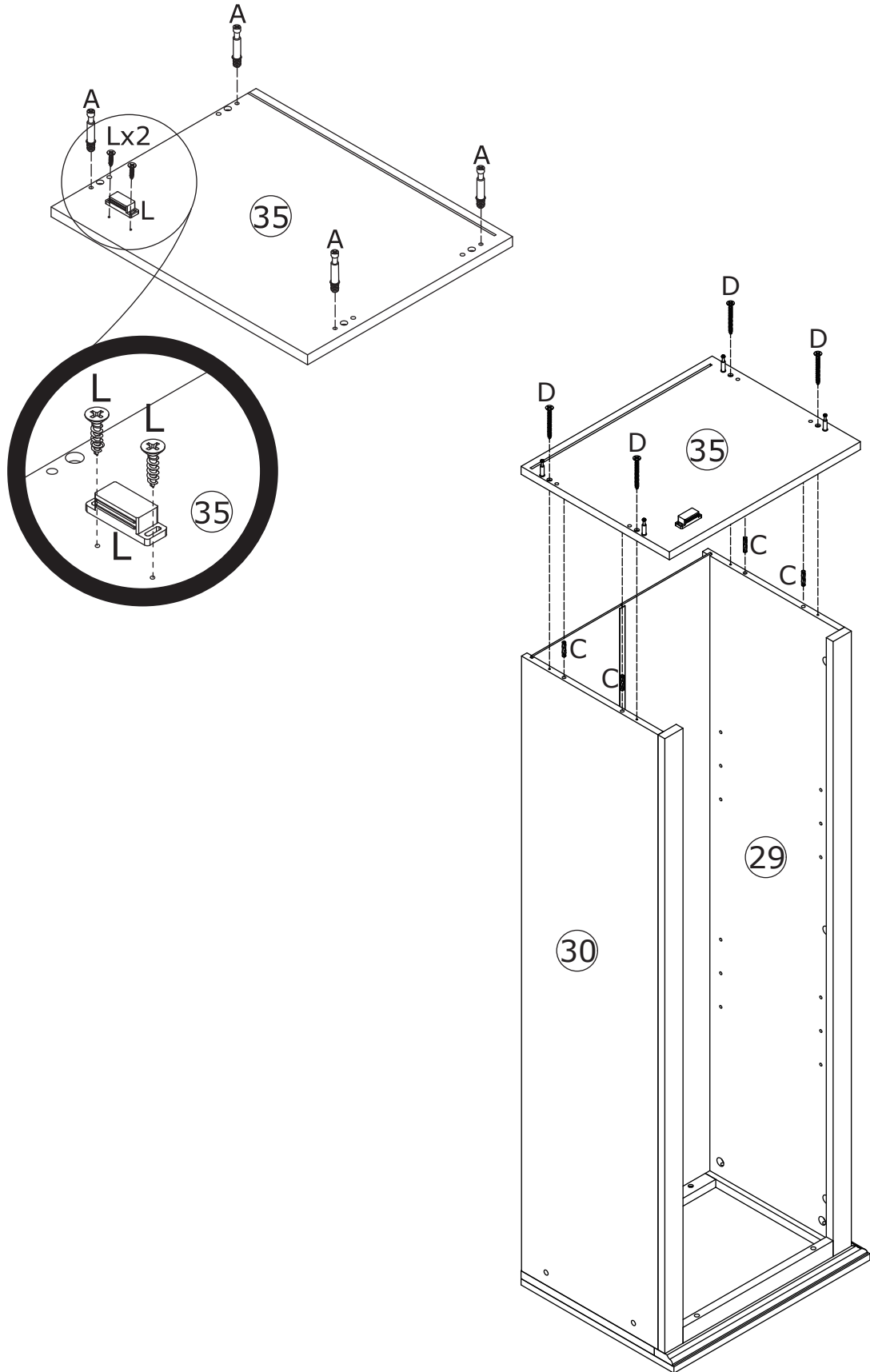
16



I PRODUCT ASSEMBLY

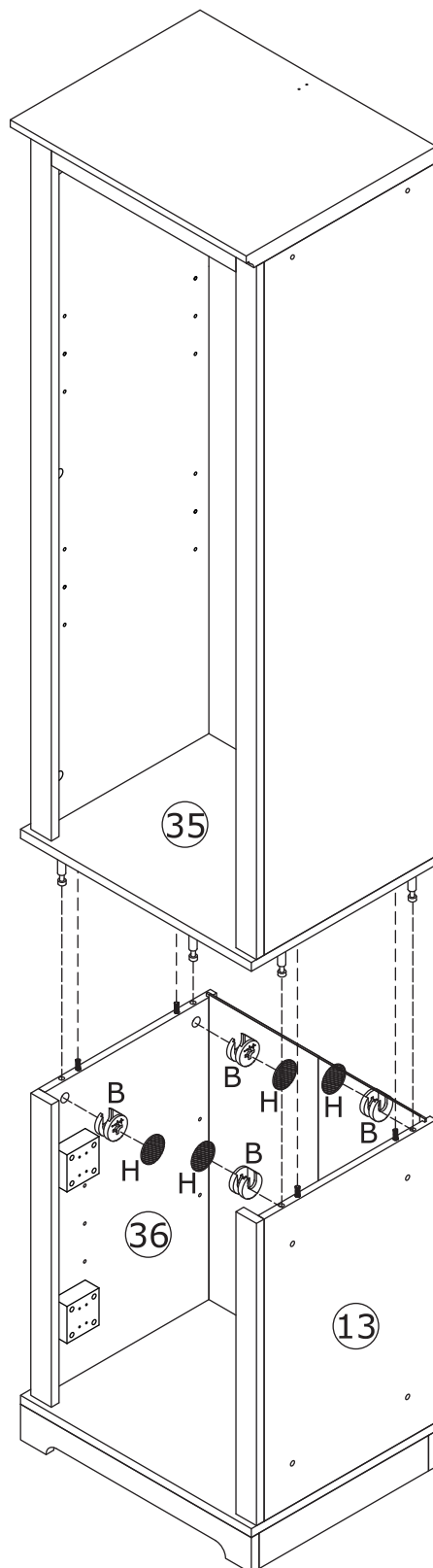
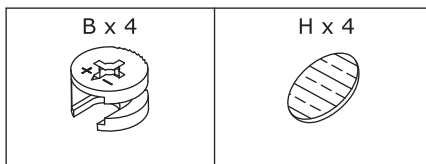
17

A x 4 	C x 4 	D x 4 	L x 1  
--	--	--	---



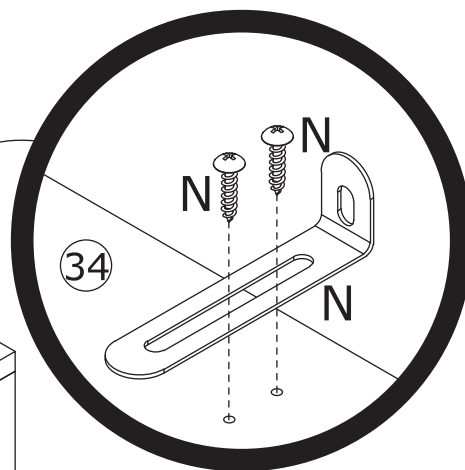
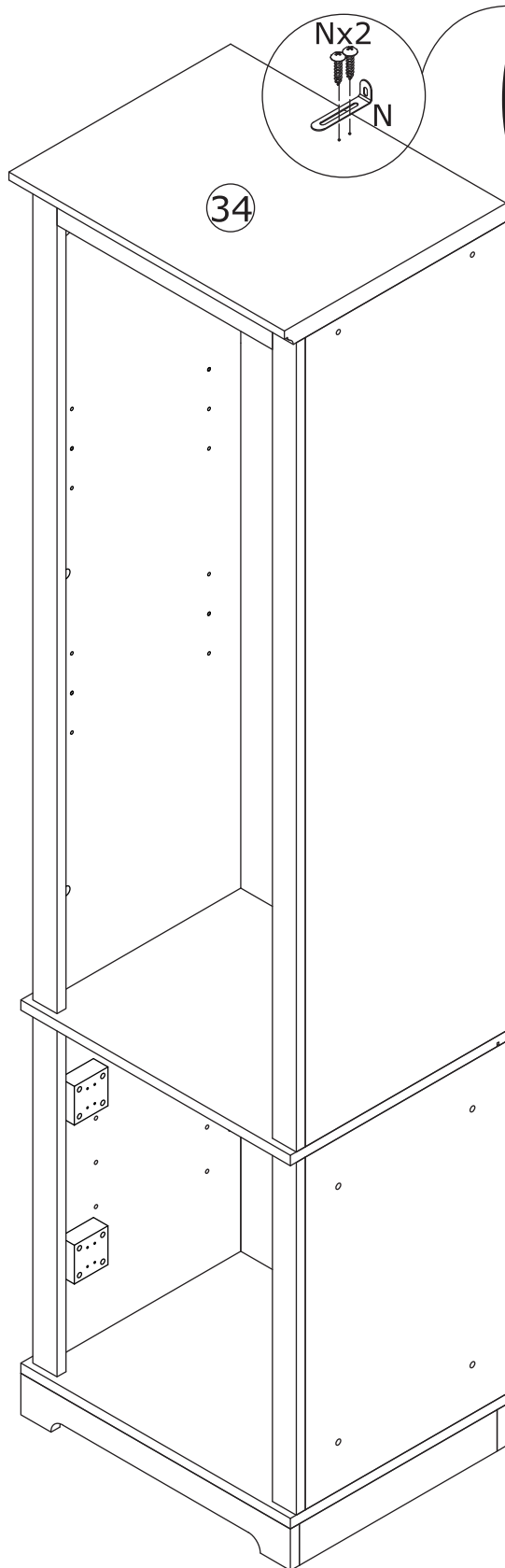
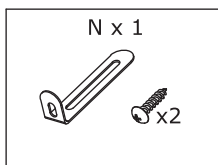
I PRODUCT ASSEMBLY

18



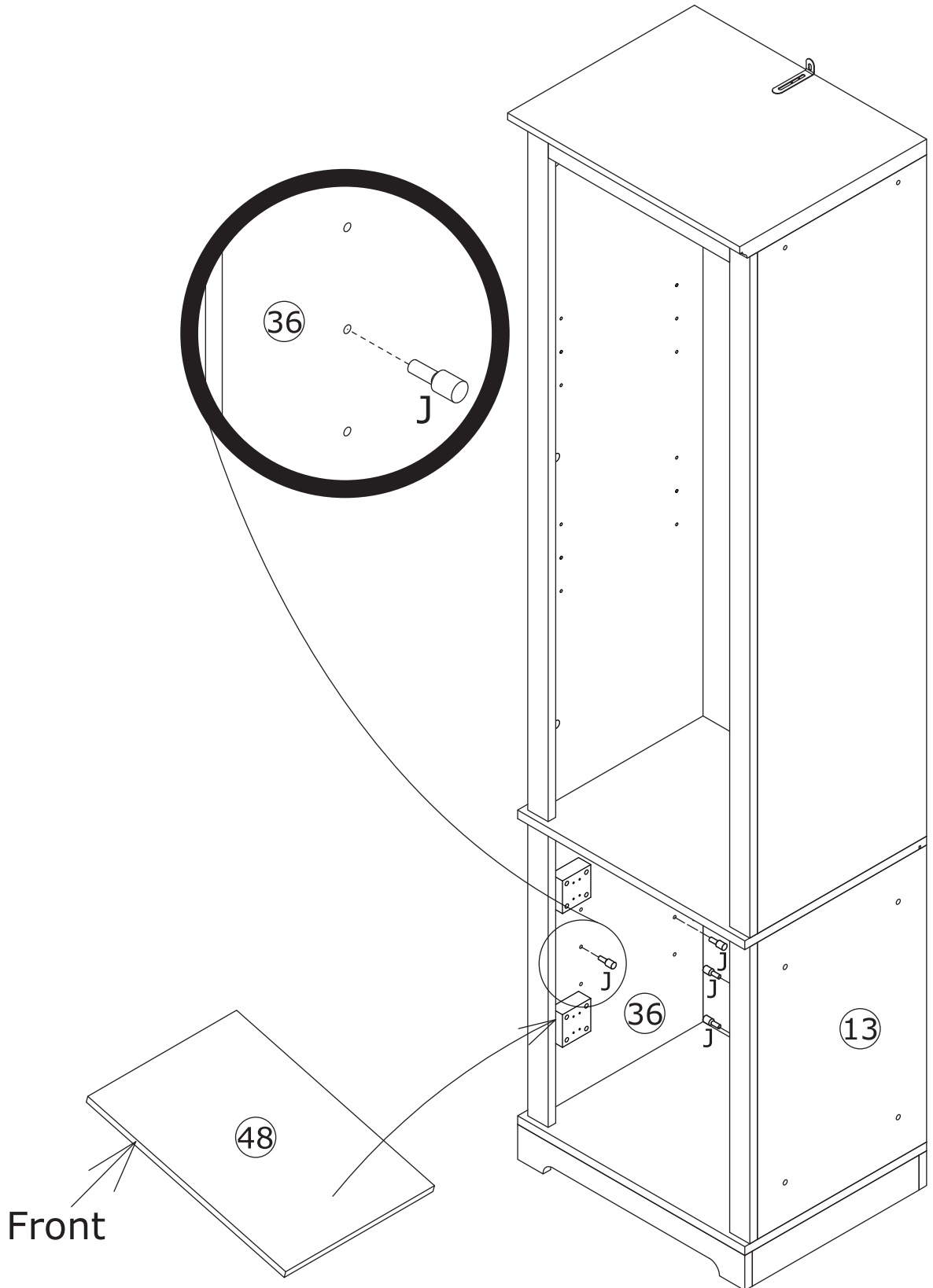
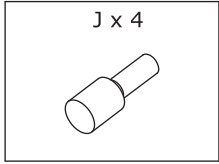
I PRODUCT ASSEMBLY

19







I PRODUCT ASSEMBLY

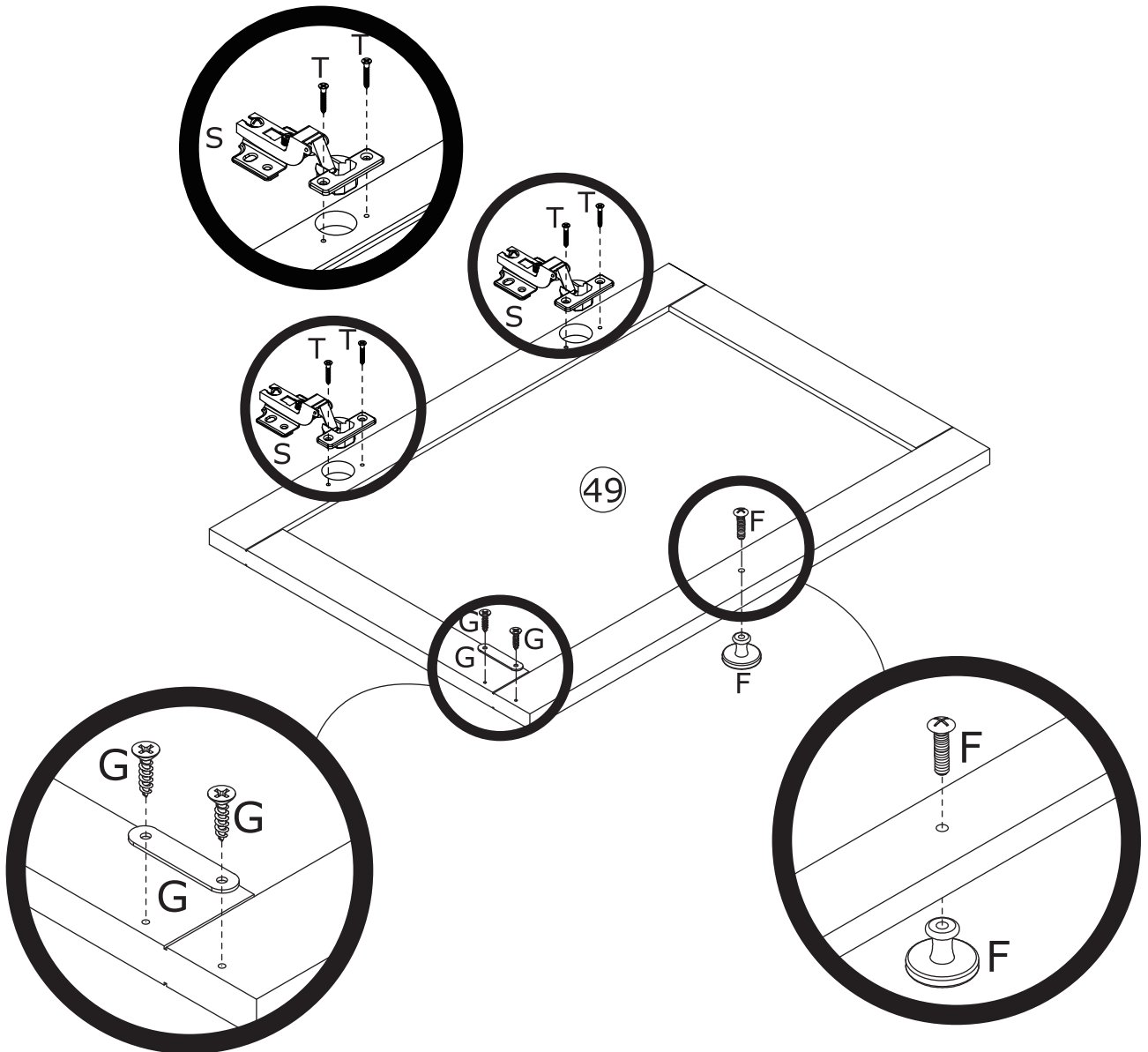
20



I PRODUCT ASSEMBLY

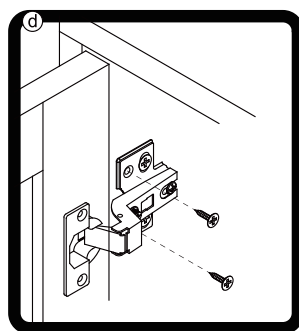
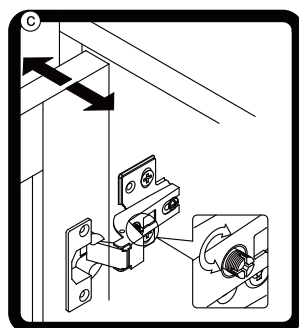
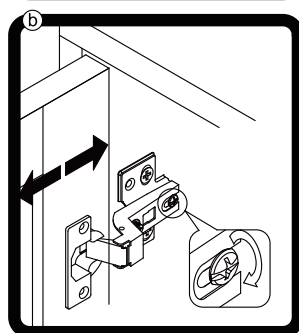
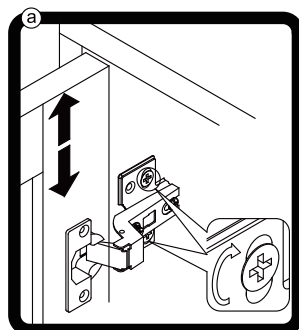
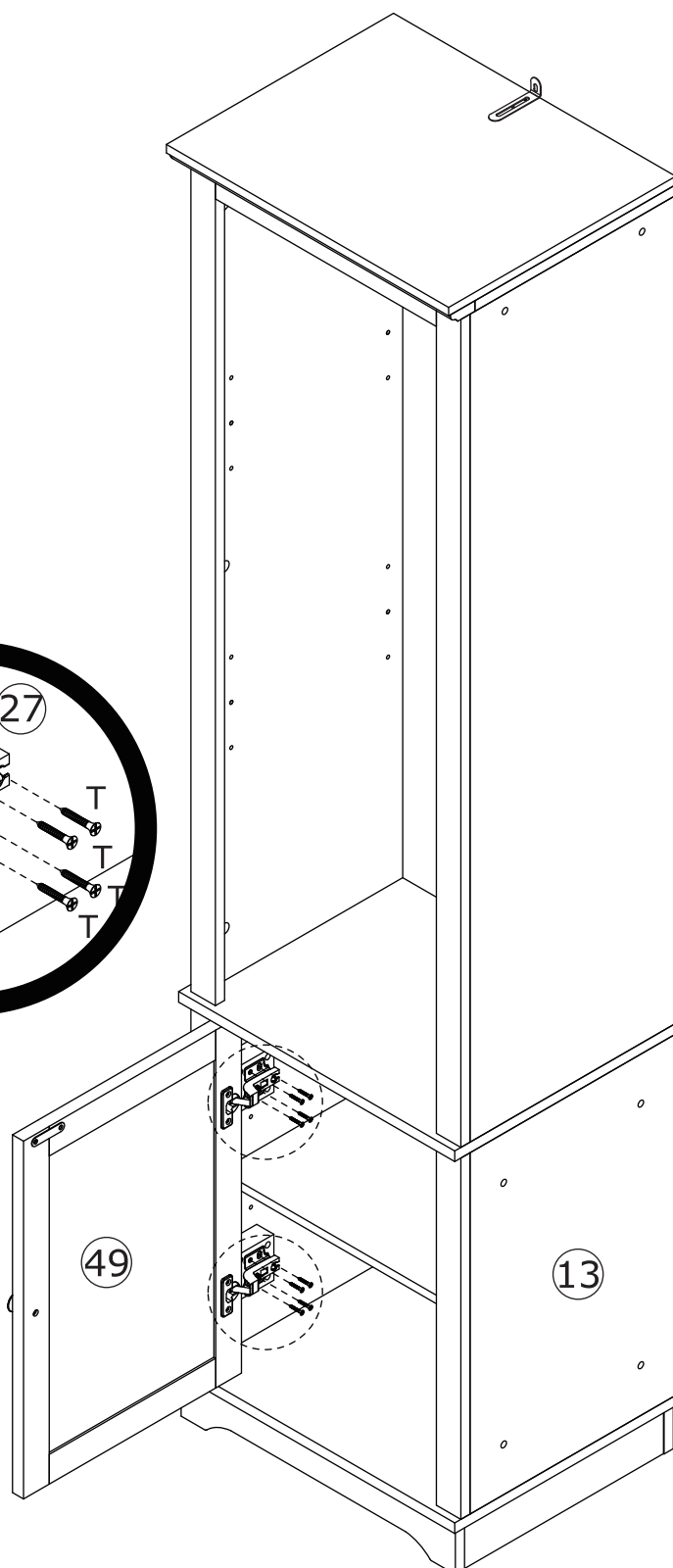
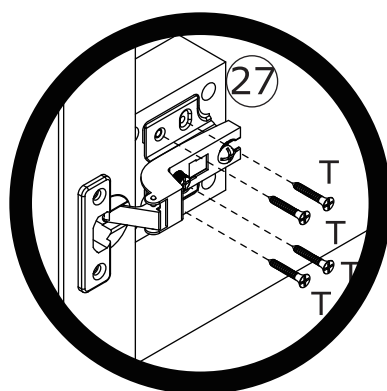
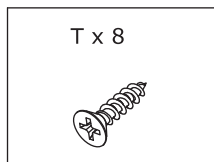
21

F x 1 	G x 1 	S x 2 	T x 4 
--	--	--	---



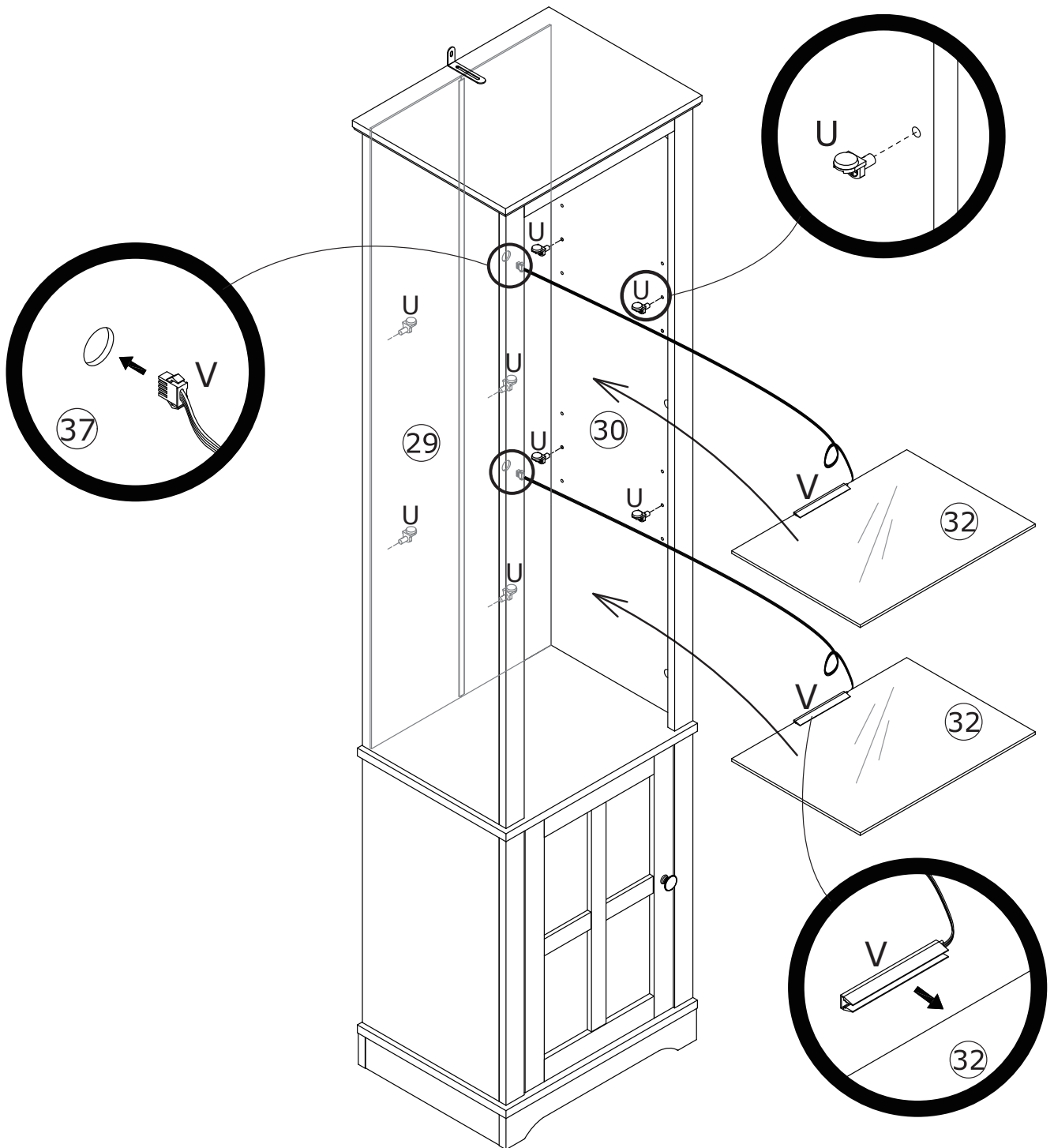
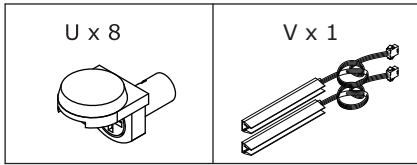
I PRODUCT ASSEMBLY

22



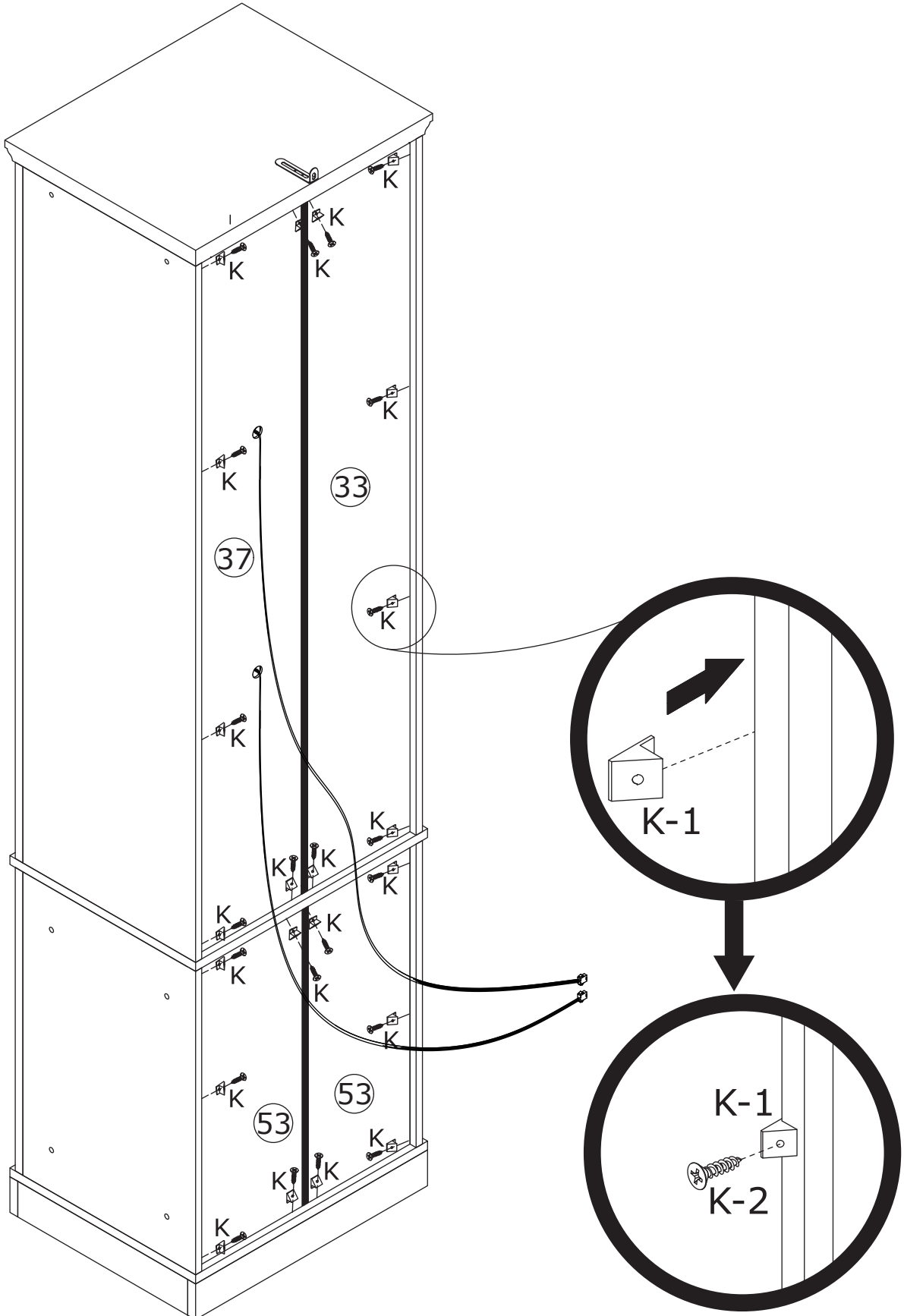
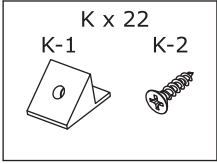
I PRODUCT ASSEMBLY

23



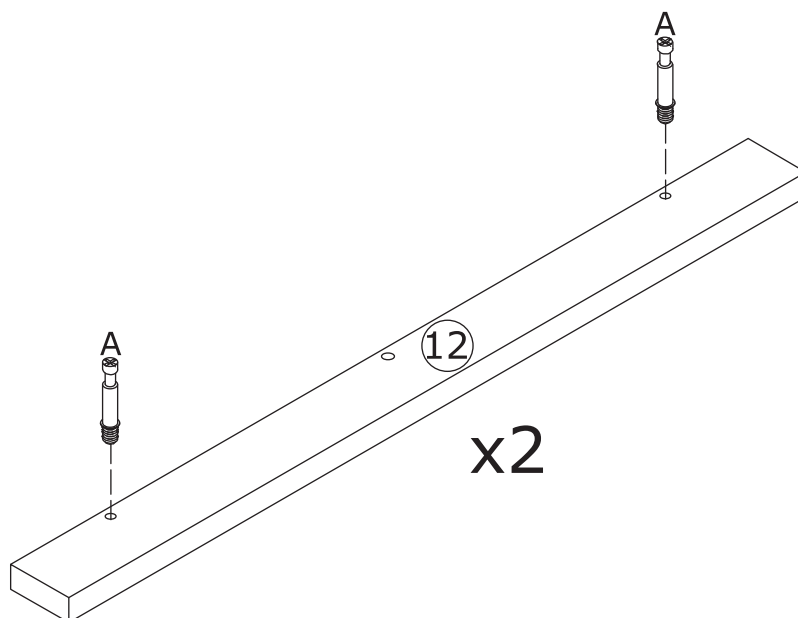
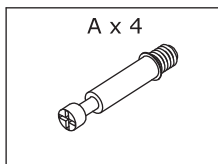
I PRODUCT ASSEMBLY

24

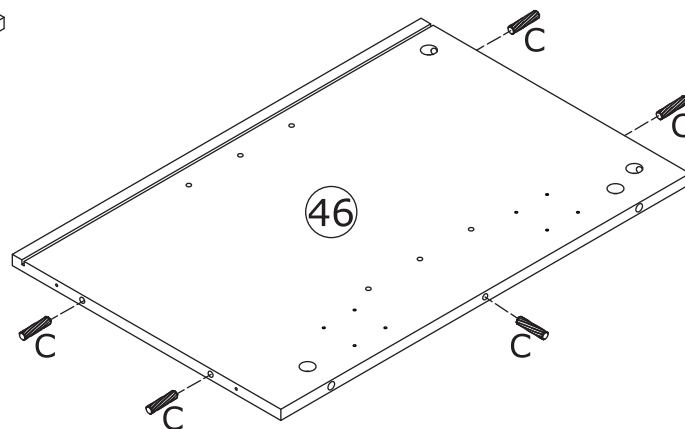
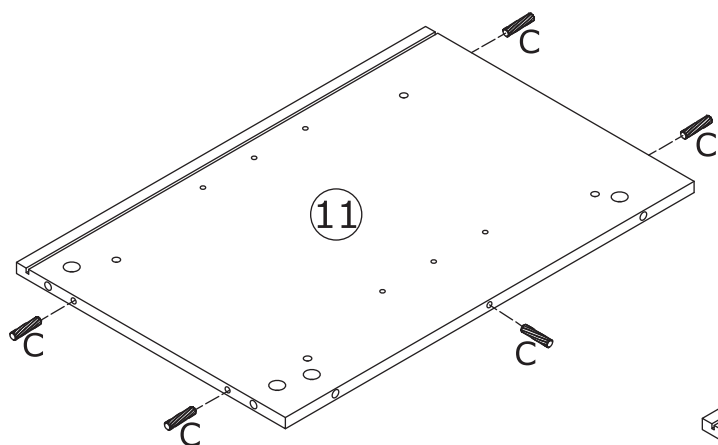
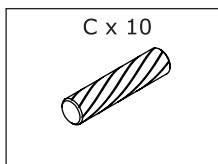


I PRODUCT ASSEMBLY

25

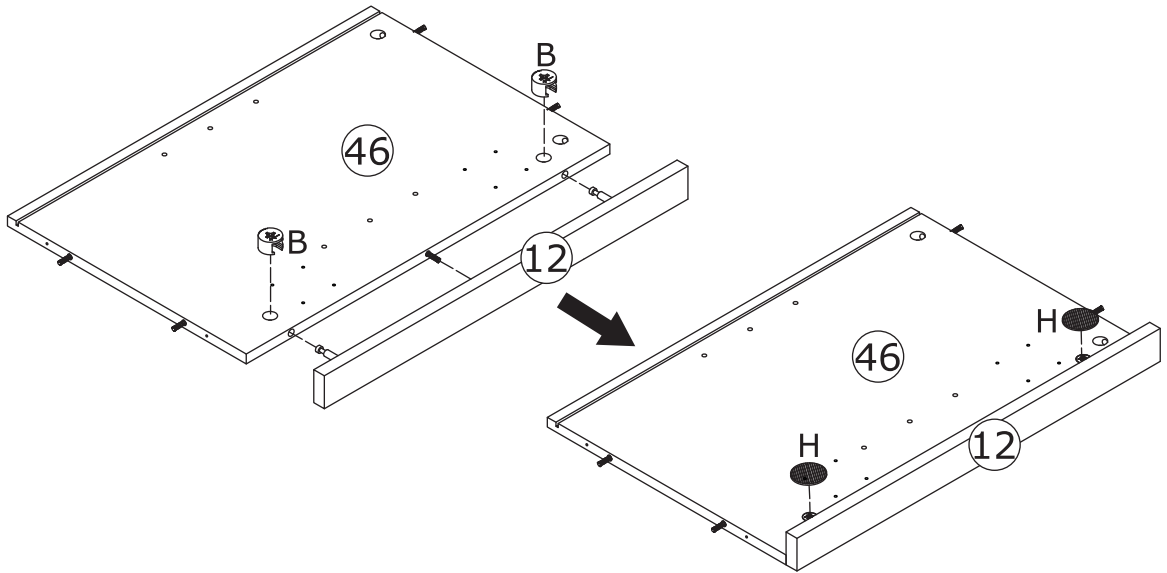
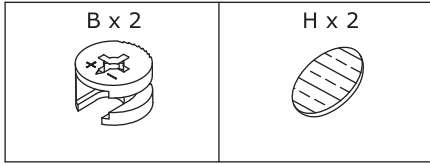


26

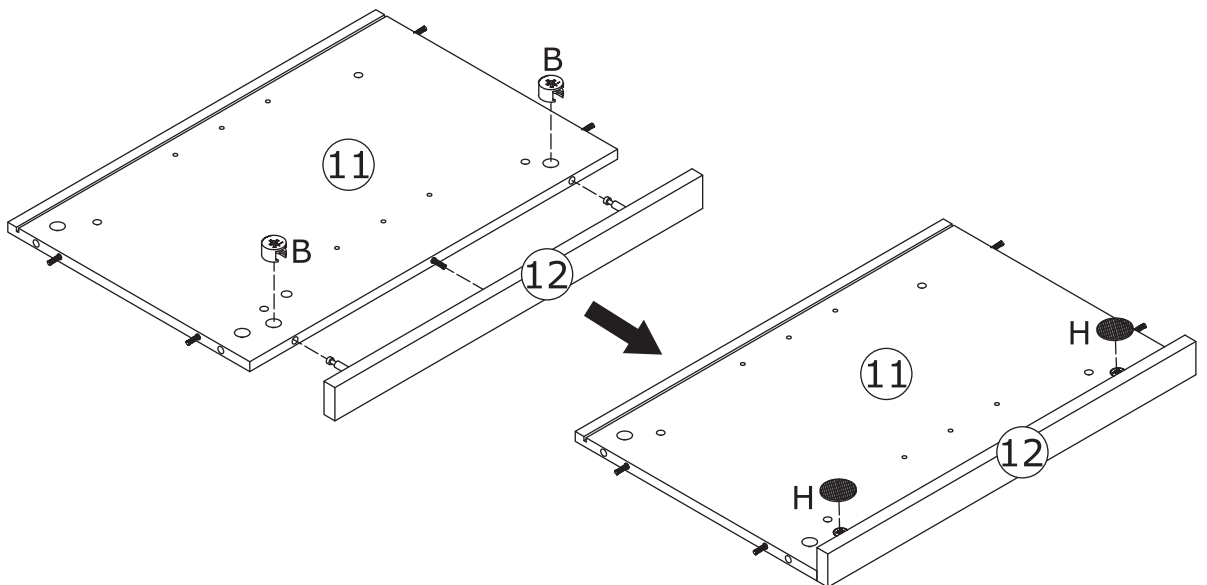
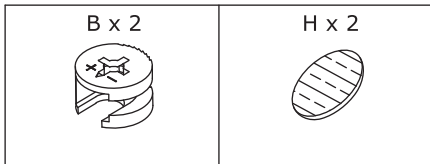


I PRODUCT ASSEMBLY

27

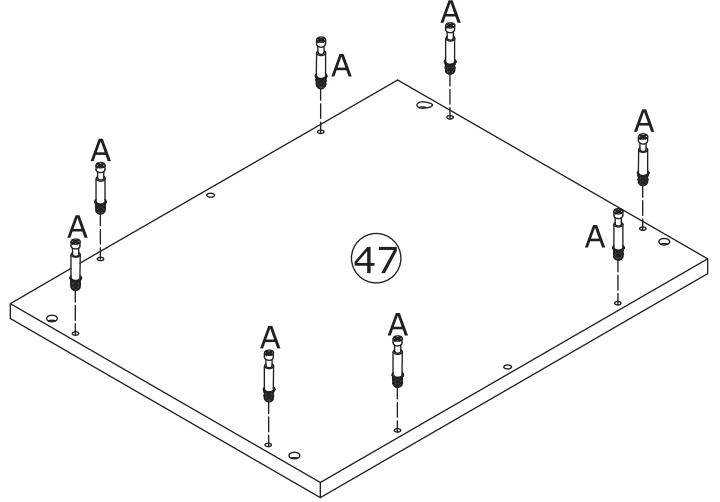
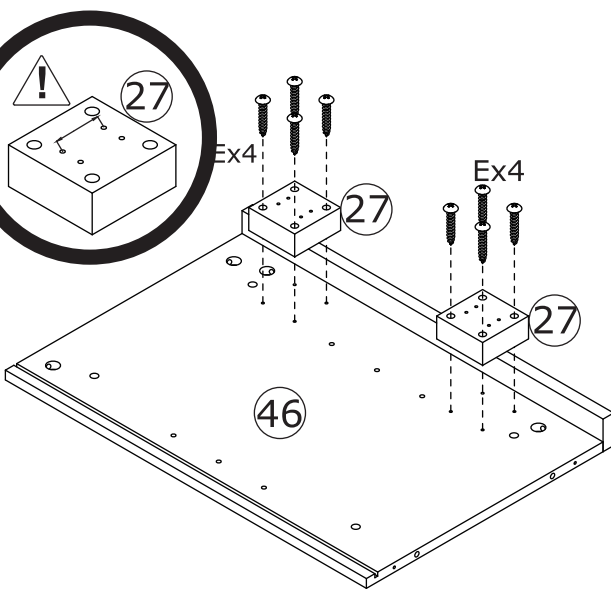
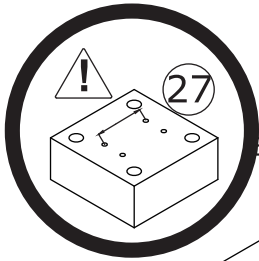
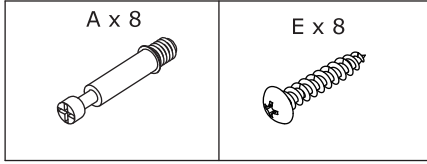


28

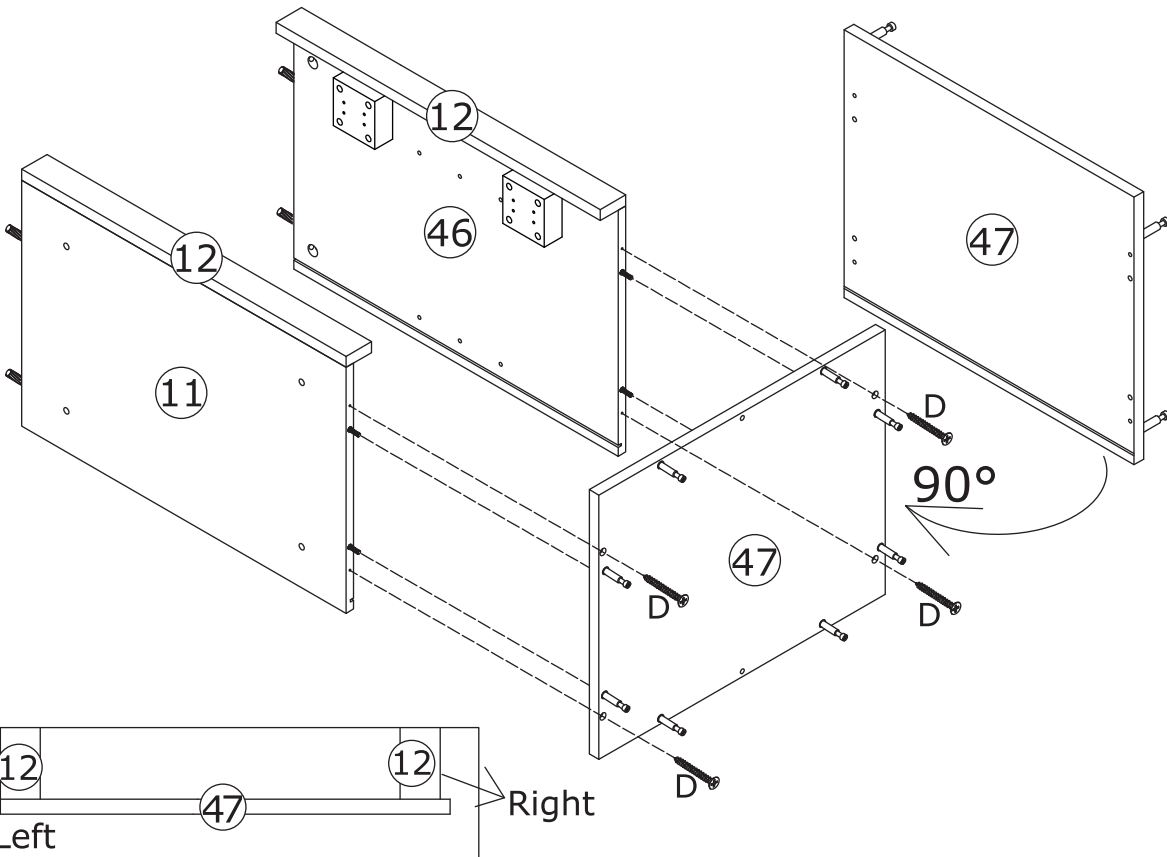
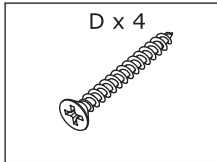


I PRODUCT ASSEMBLY

29

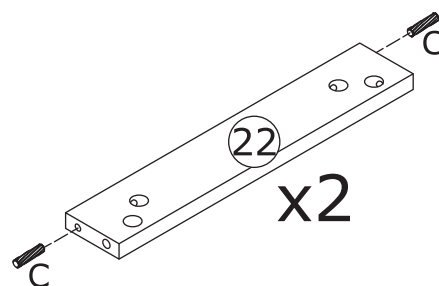
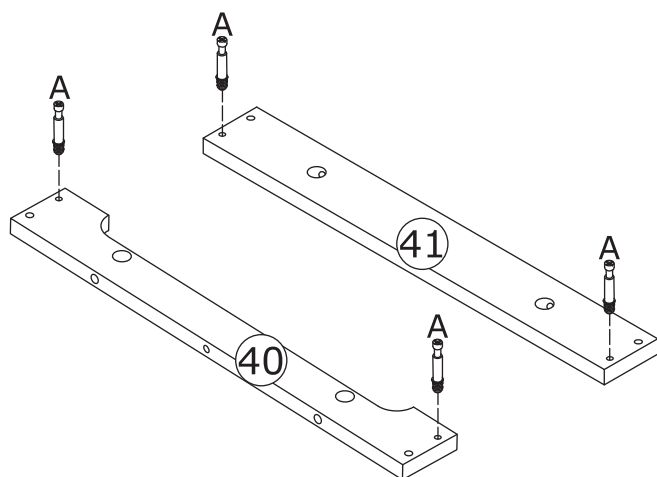
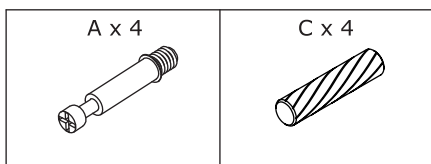


30

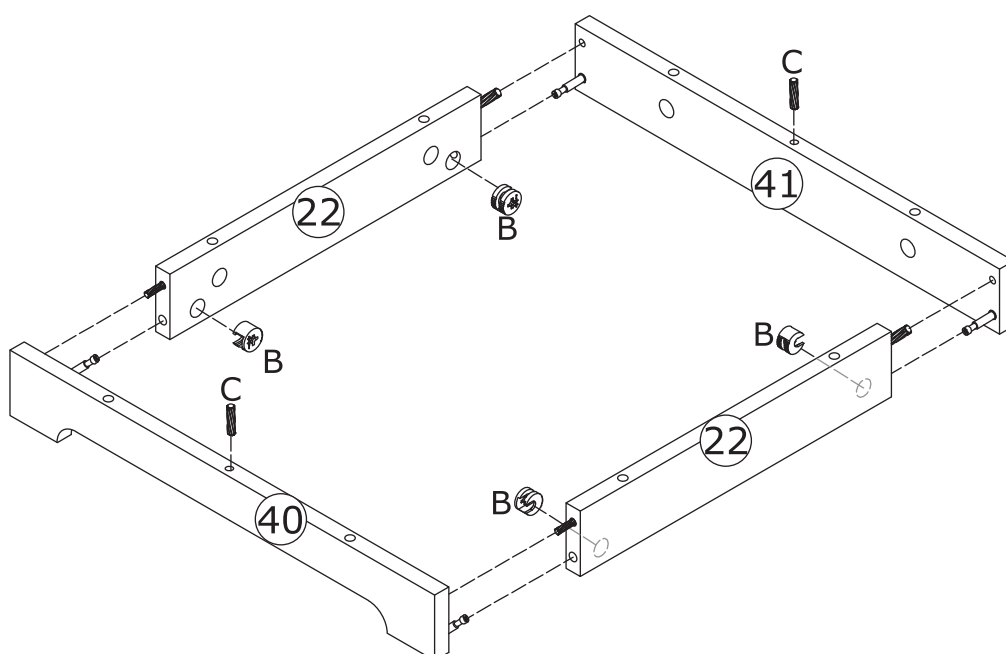
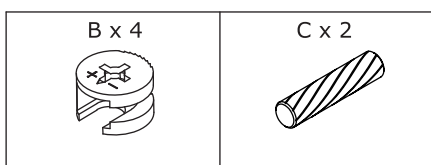


I PRODUCT ASSEMBLY

31

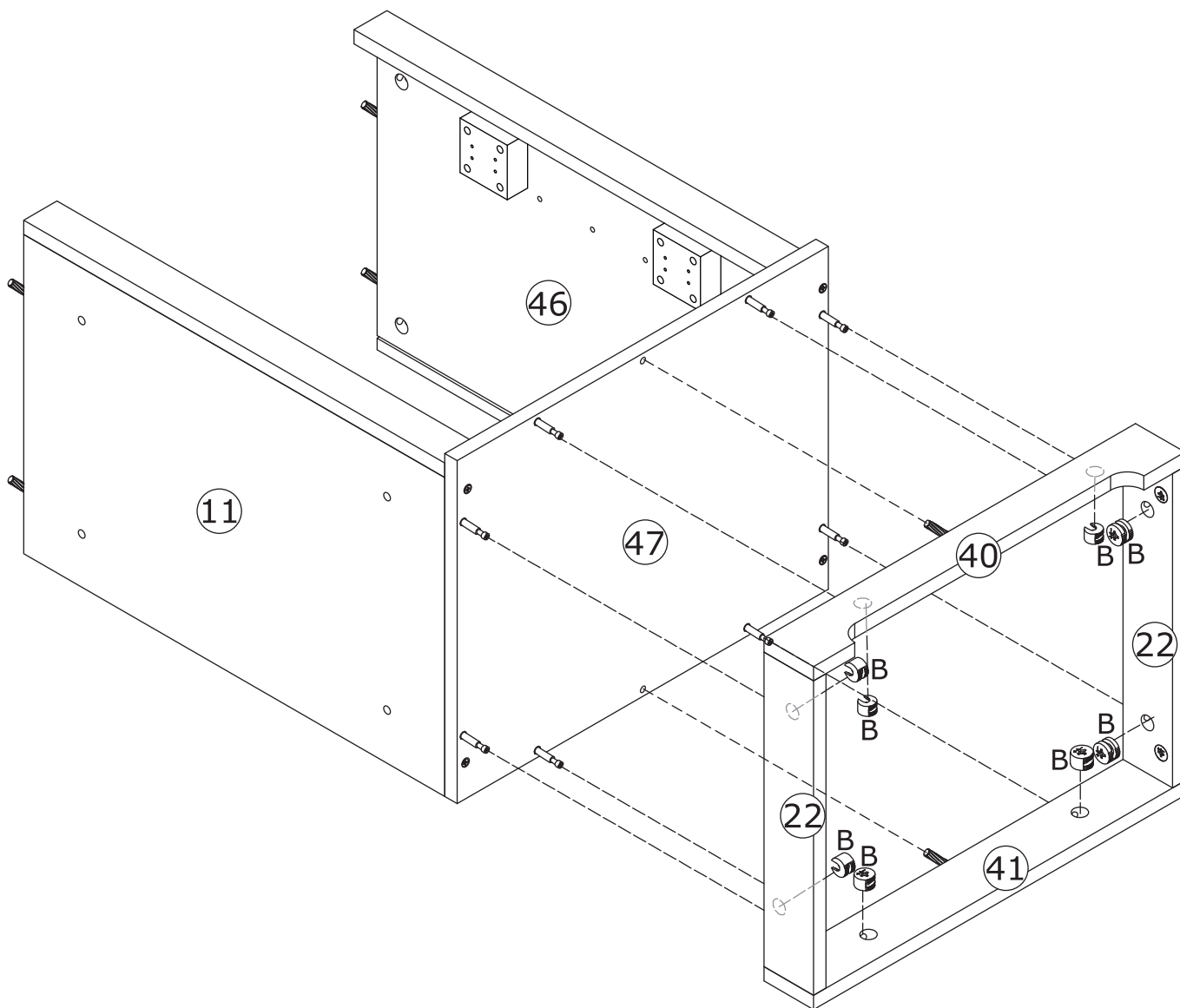
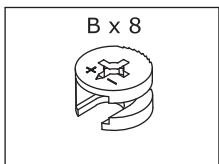


32



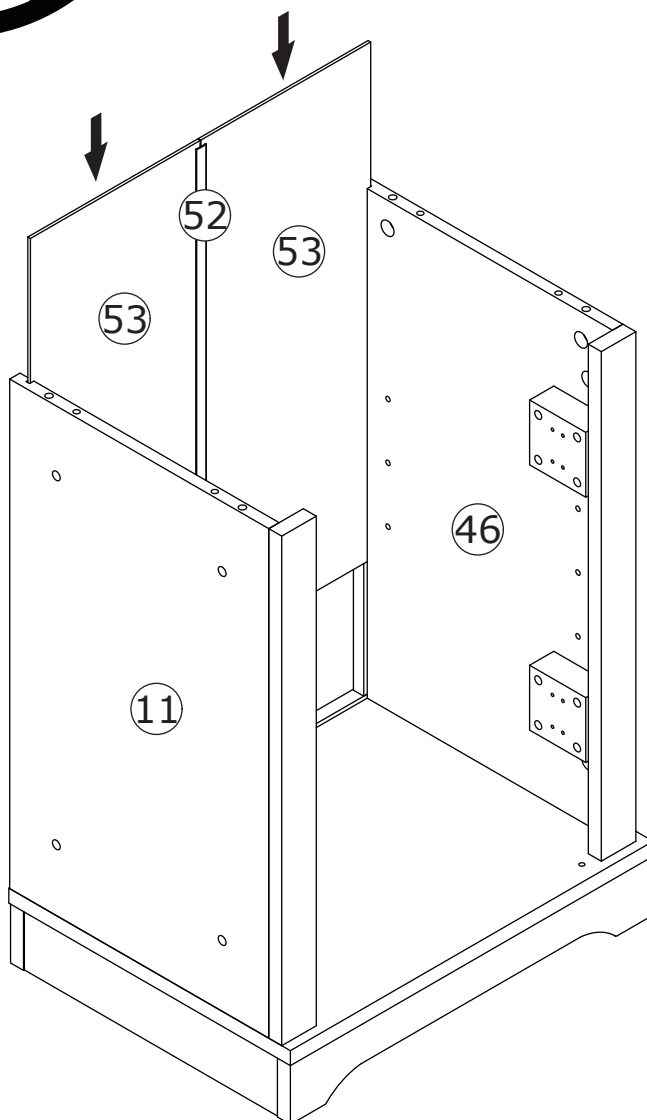
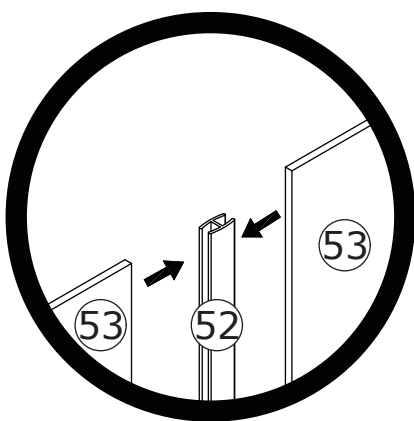
I PRODUCT ASSEMBLY

33



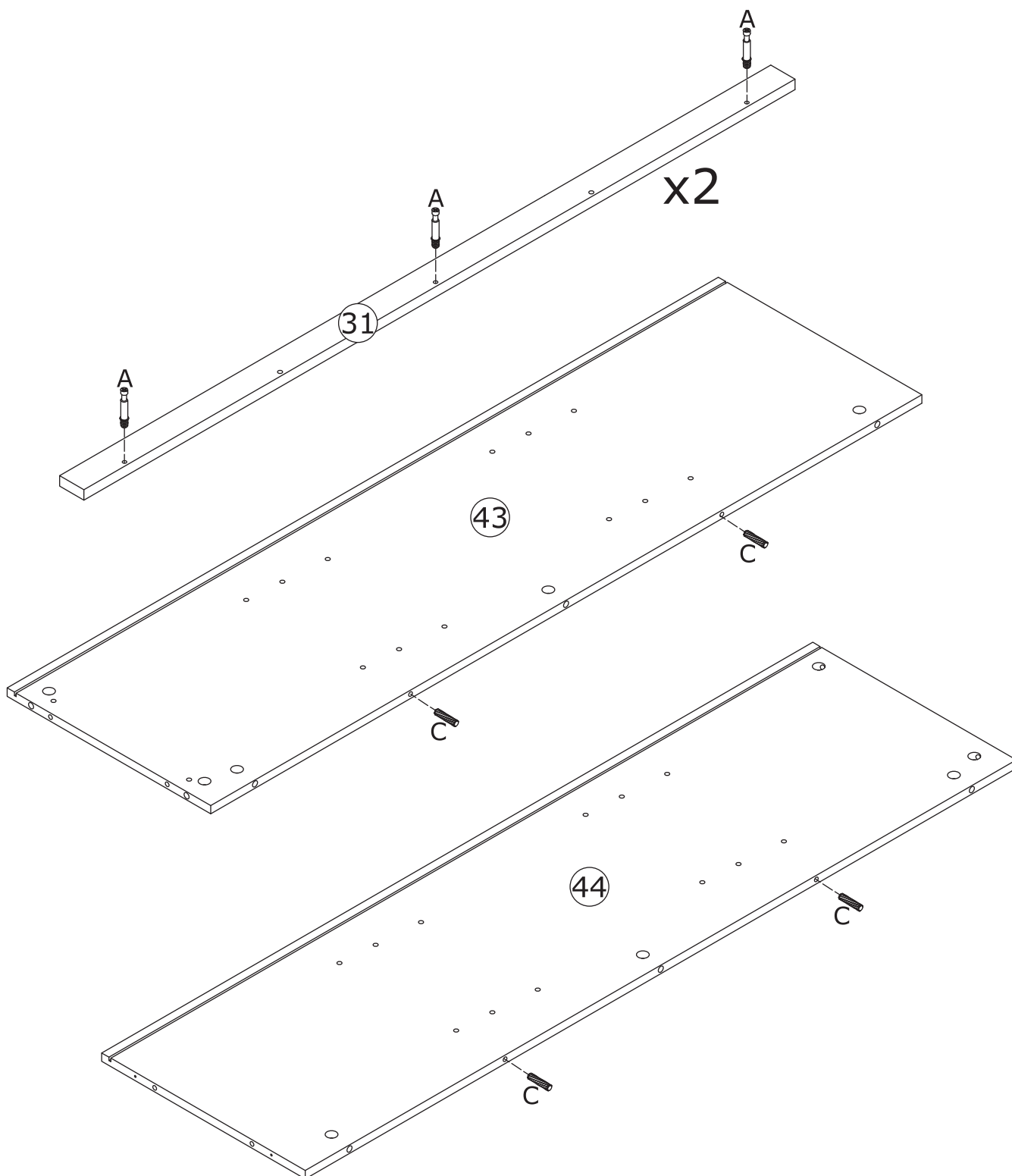
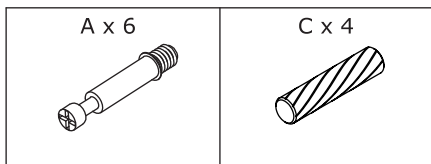
I PRODUCT ASSEMBLY

34



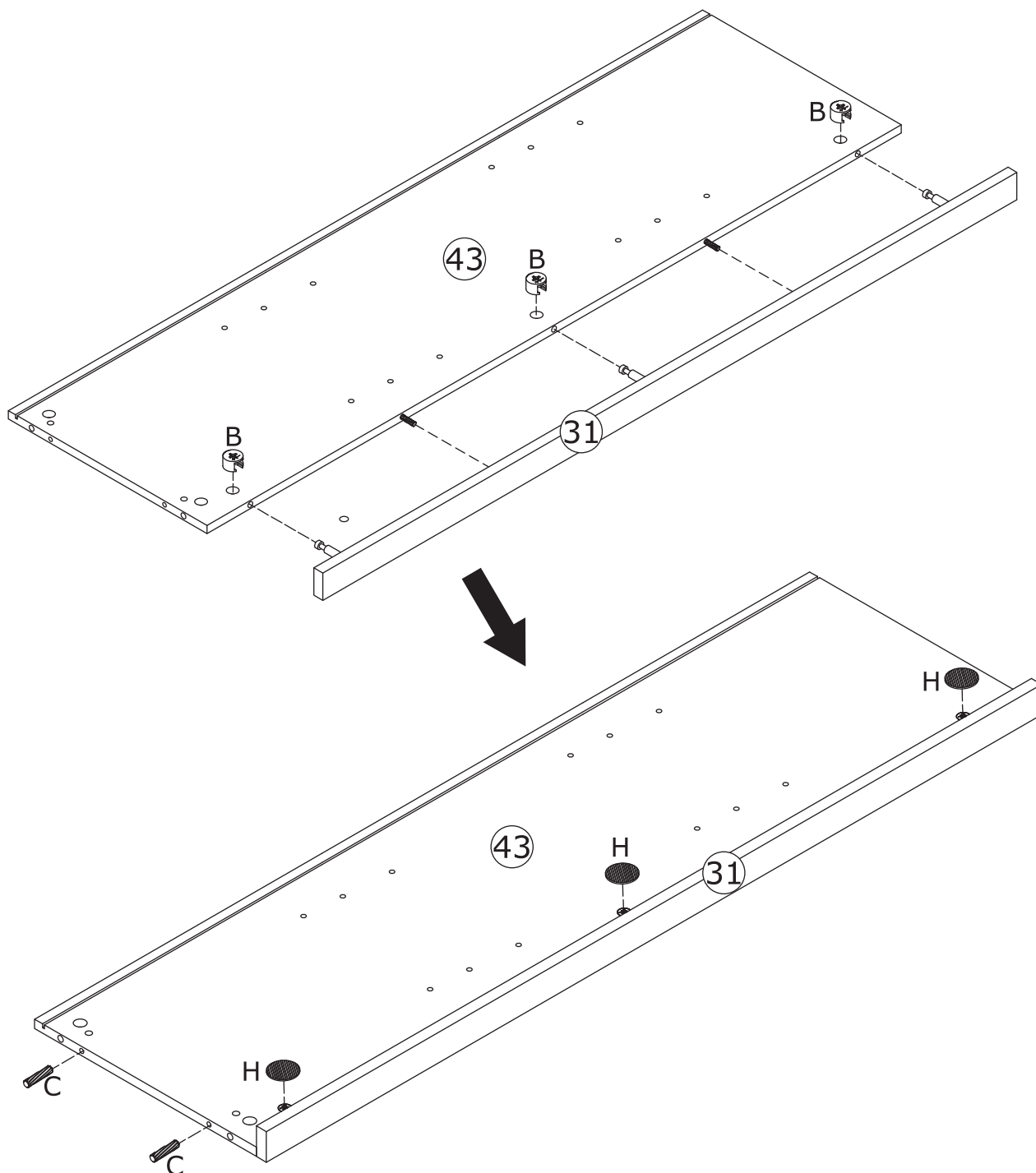
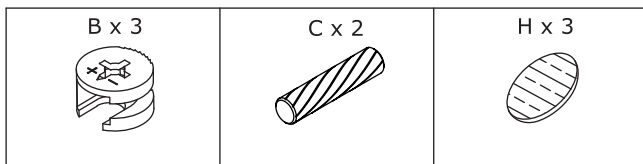
I PRODUCT ASSEMBLY

35



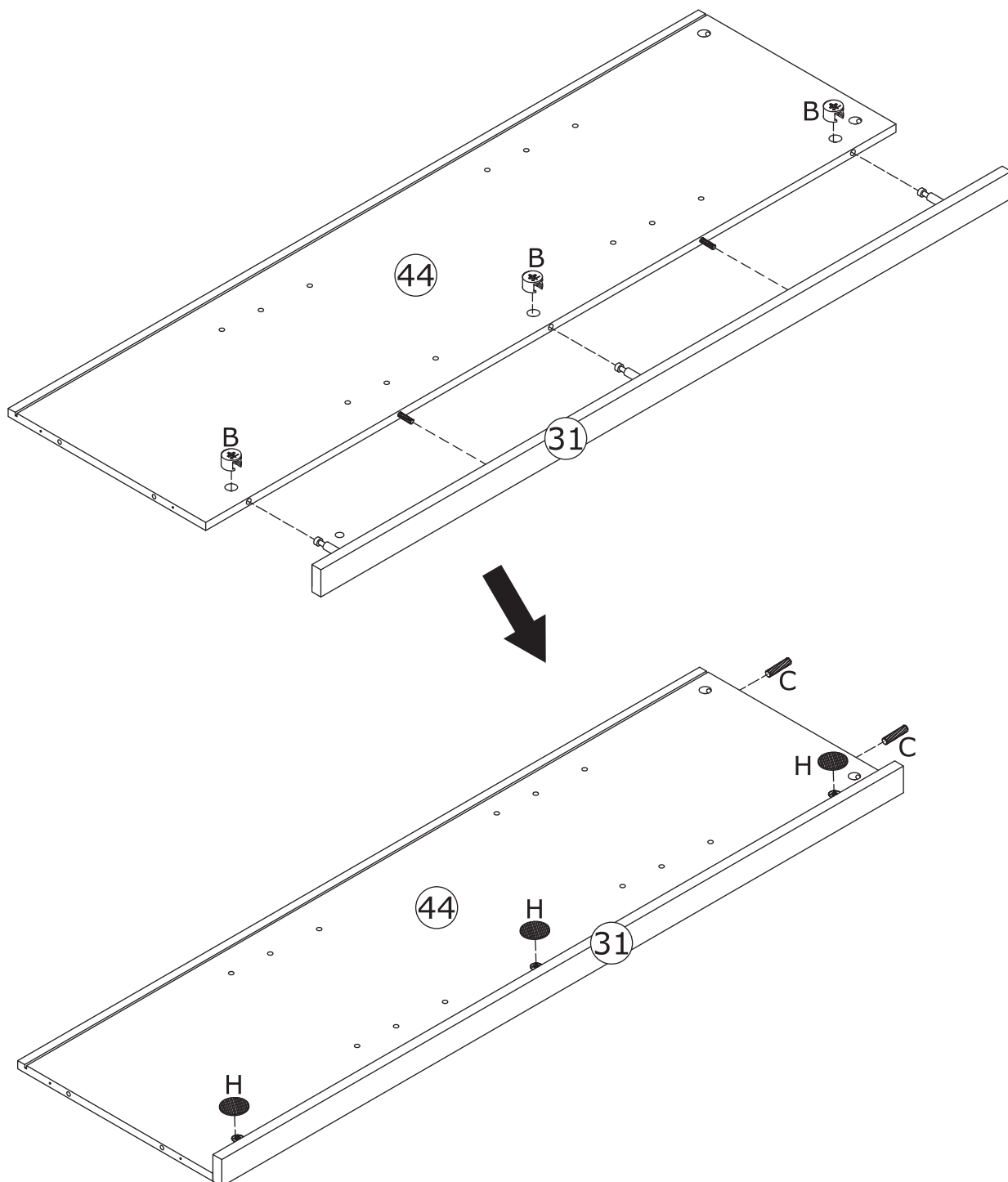
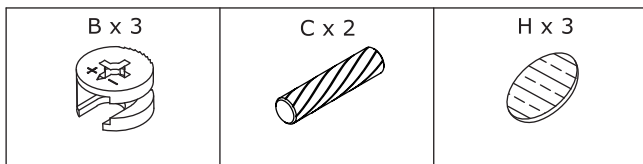
I PRODUCT ASSEMBLY

36



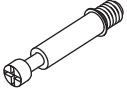
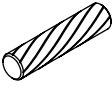
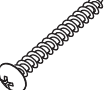
I PRODUCT ASSEMBLY

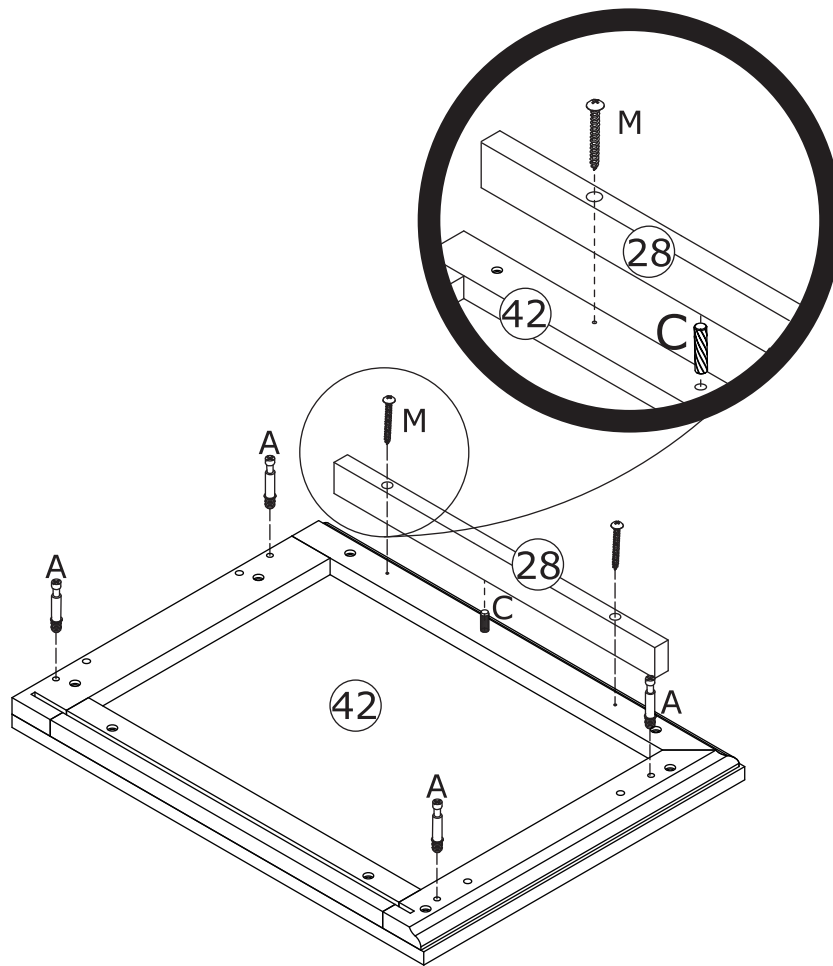
37



I PRODUCT ASSEMBLY

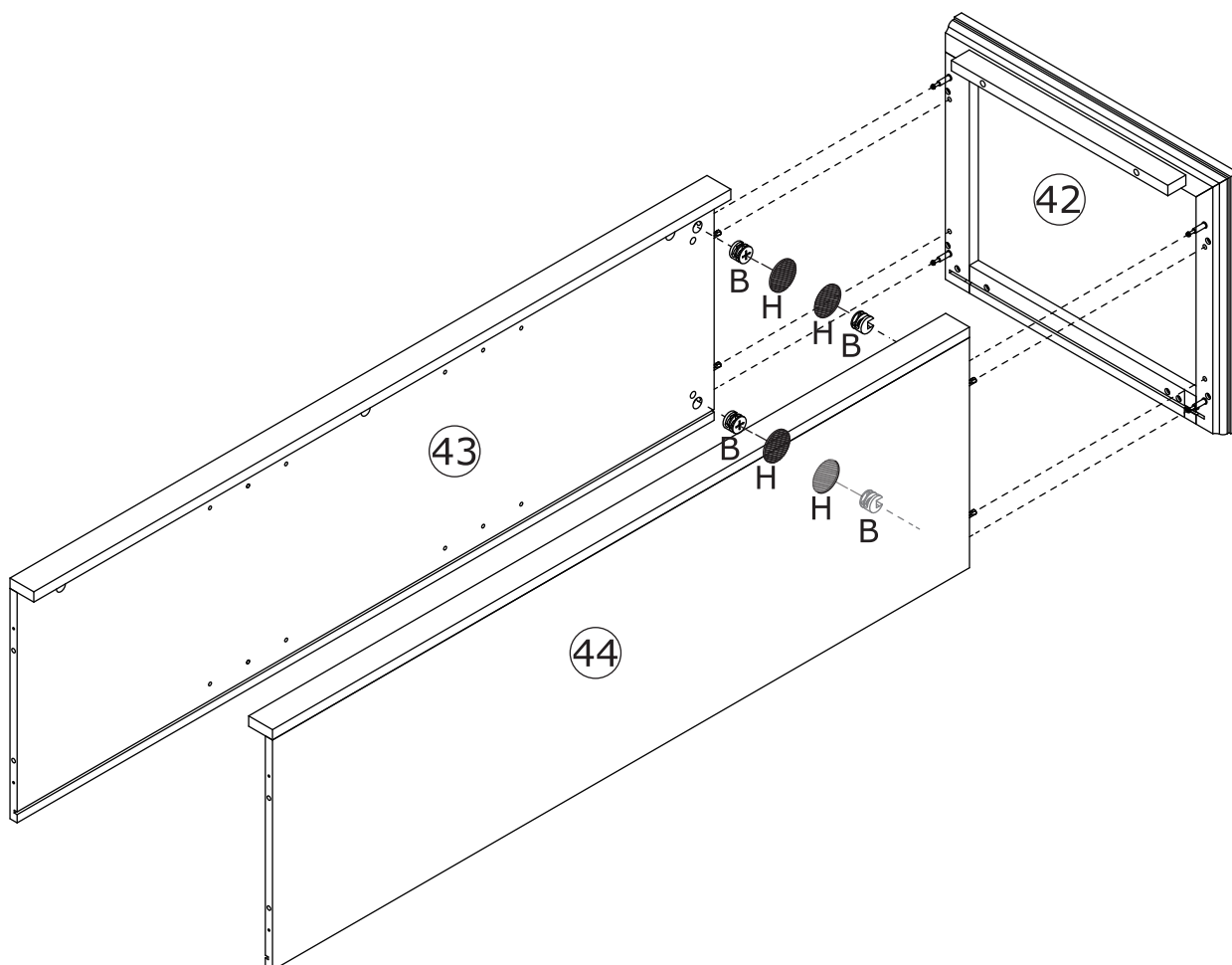
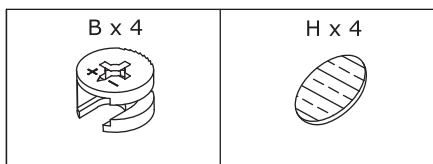
38

A x 4 	C x 1 	M x 2 
--	--	--



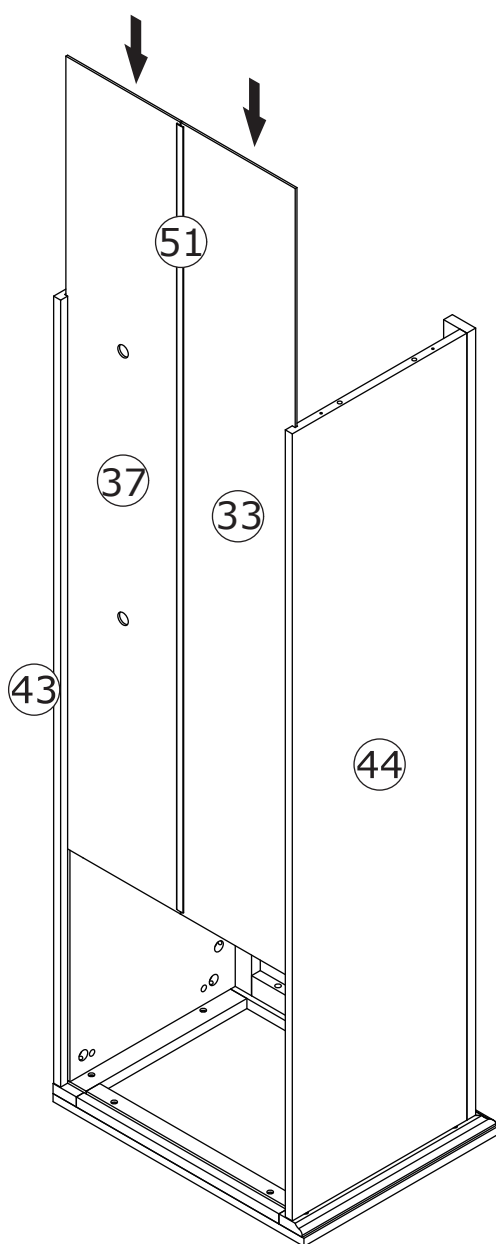
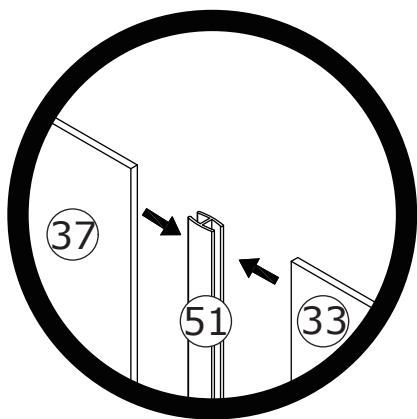
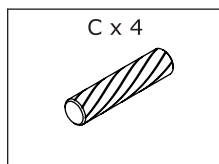
I PRODUCT ASSEMBLY

39



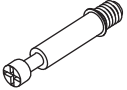
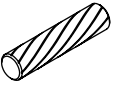

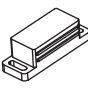

I PRODUCT ASSEMBLY

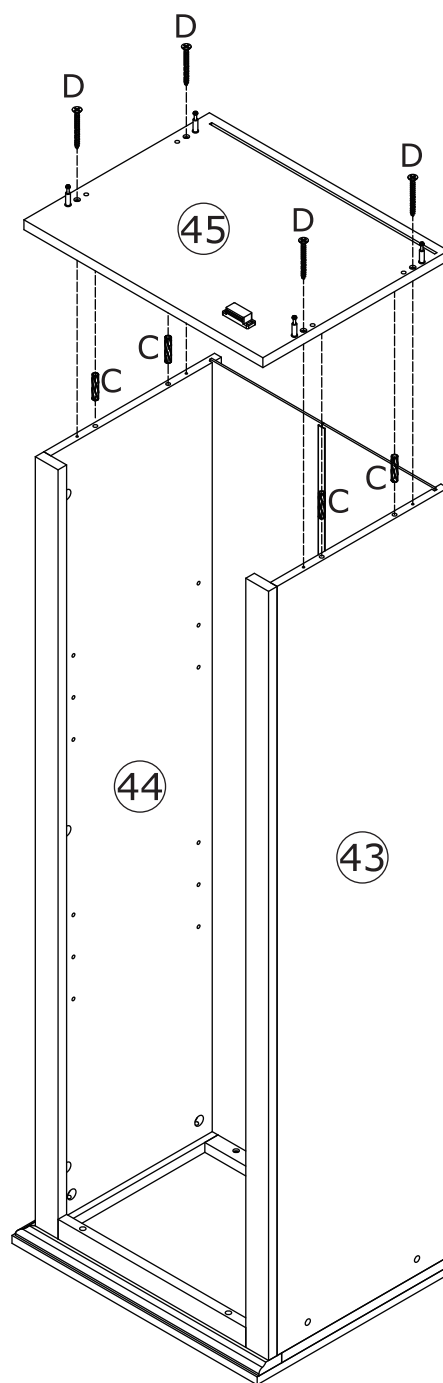
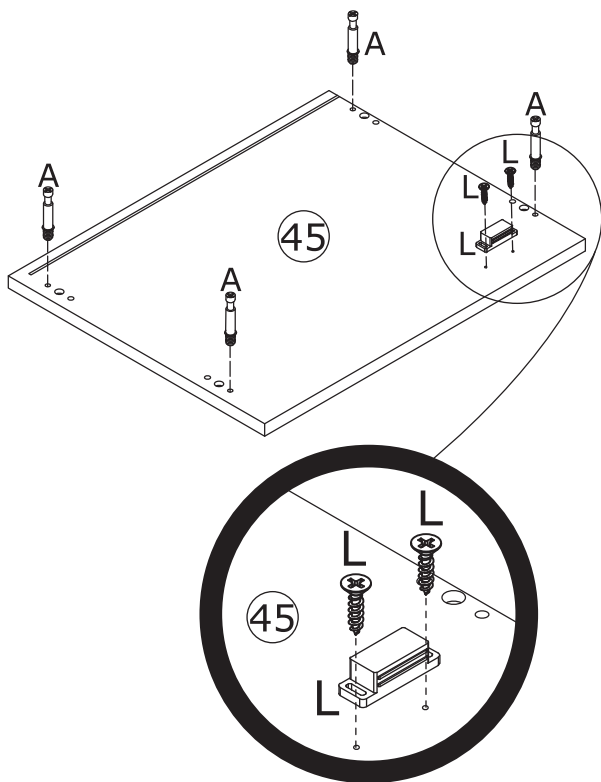
40



I PRODUCT ASSEMBLY

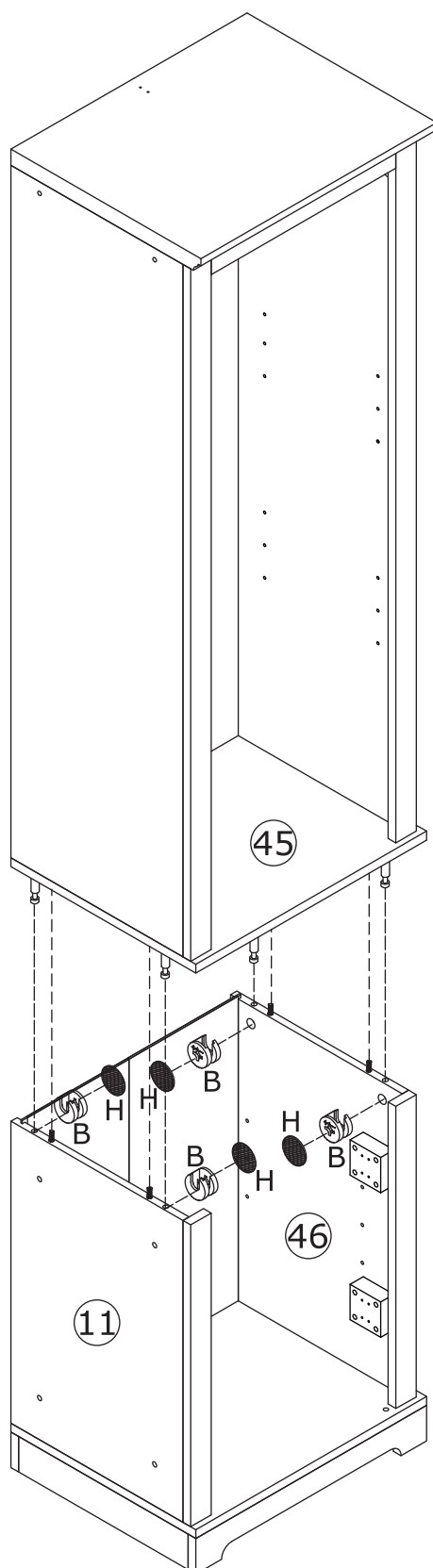
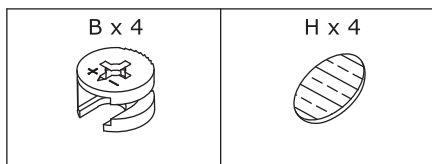
41

A x 4 	C x 4 	D x 4 	L x 1   x2
--	--	--	--



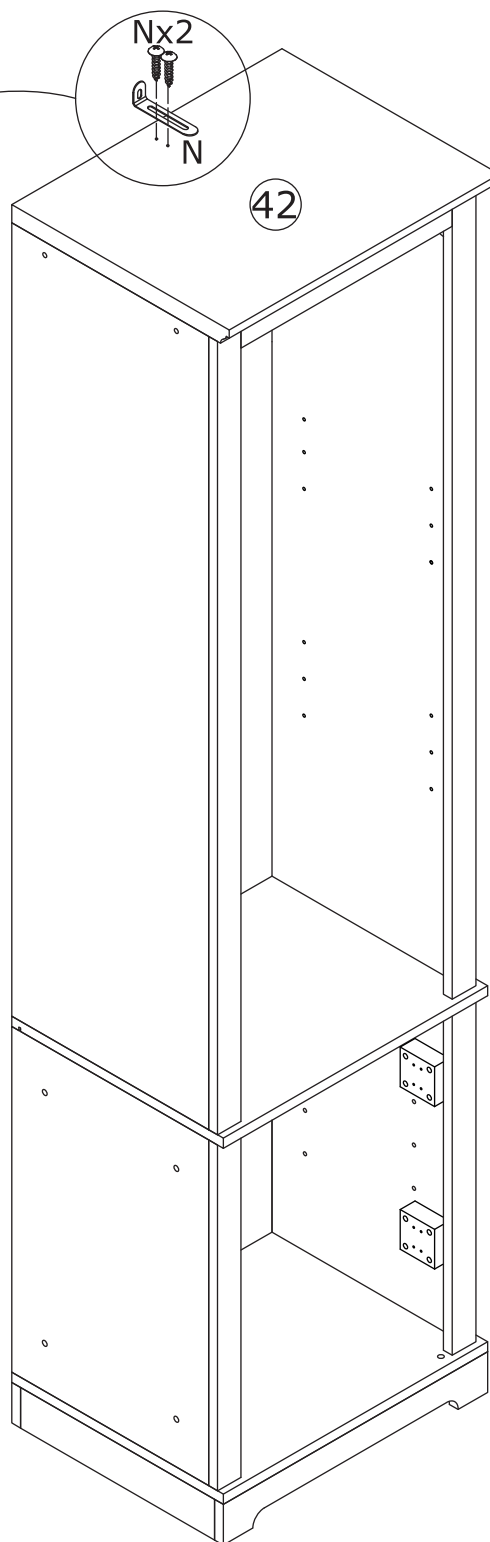
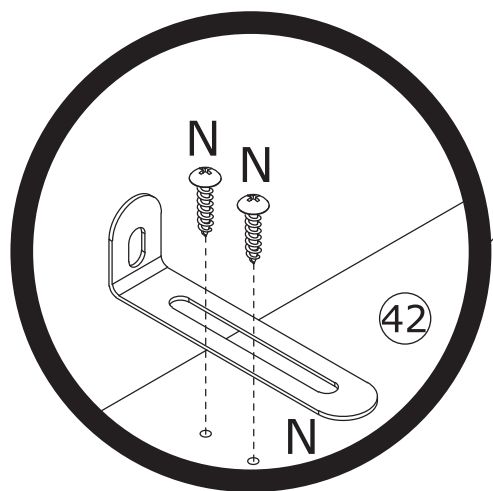
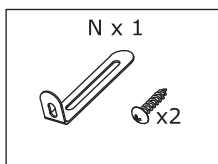
I PRODUCT ASSEMBLY

42



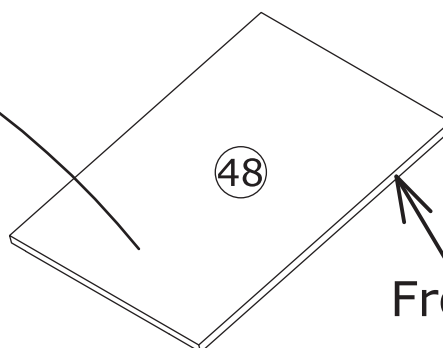
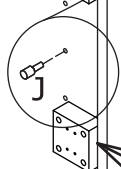
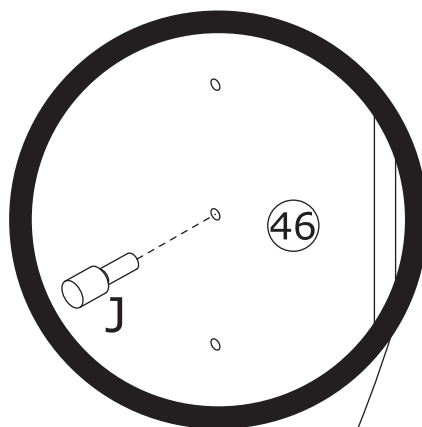
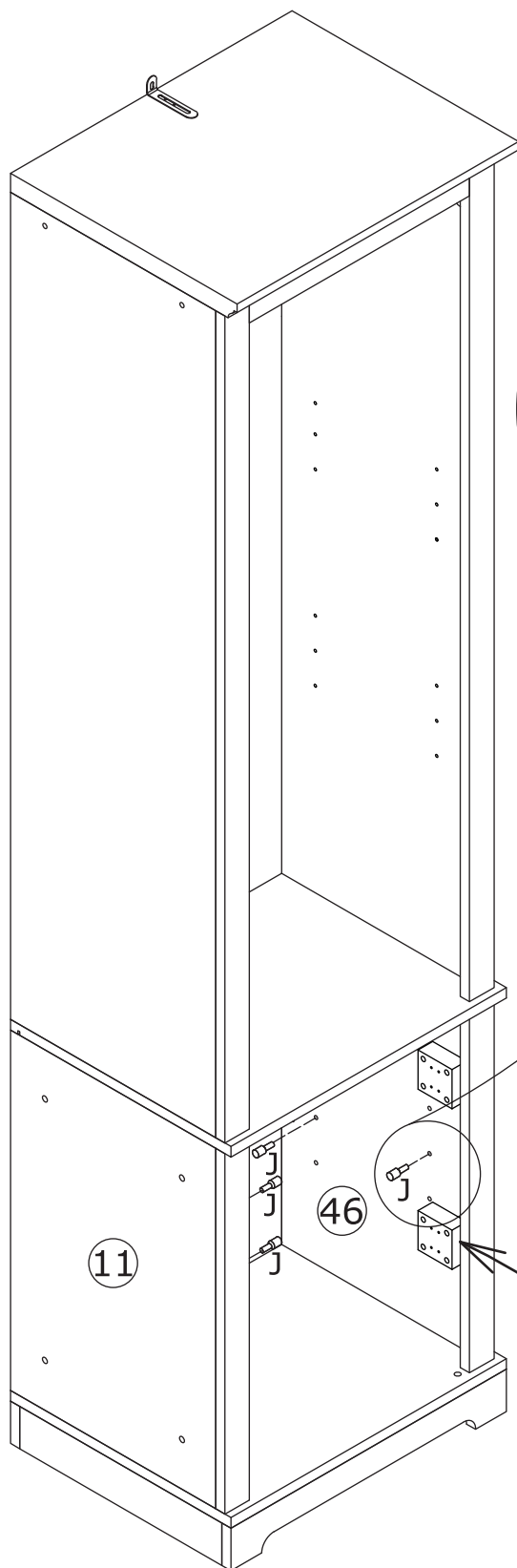
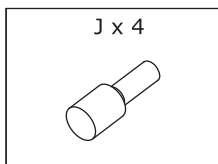
I PRODUCT ASSEMBLY

43



I PRODUCT ASSEMBLY





44

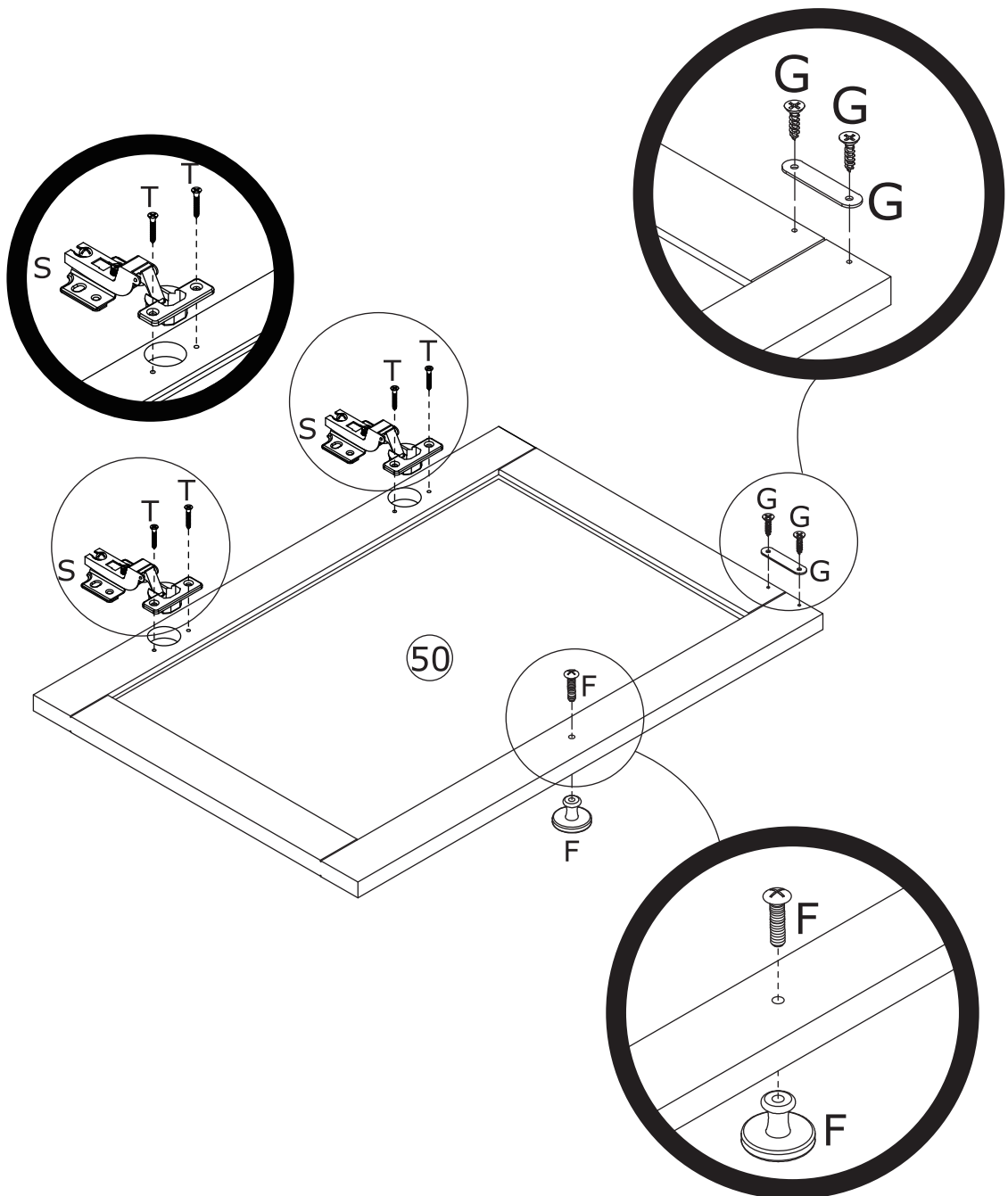


Front

I PRODUCT ASSEMBLY

45

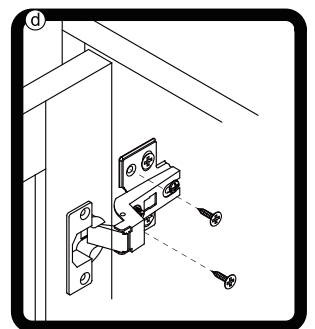
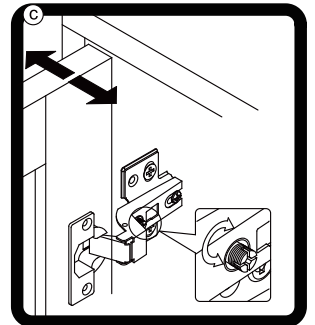
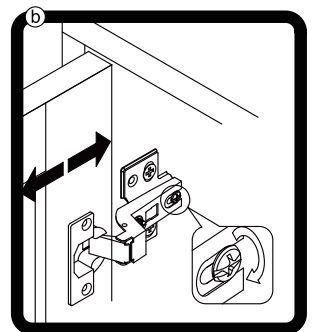
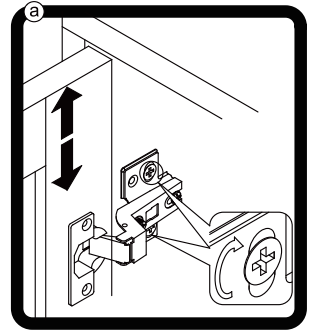
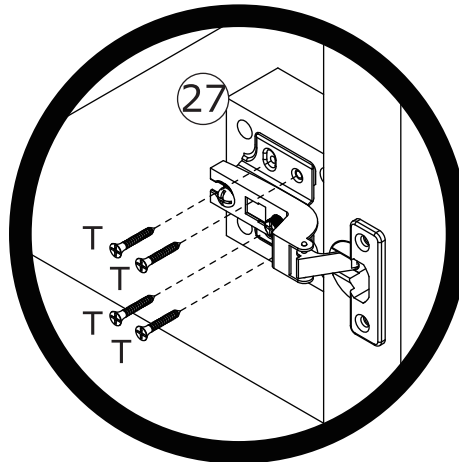
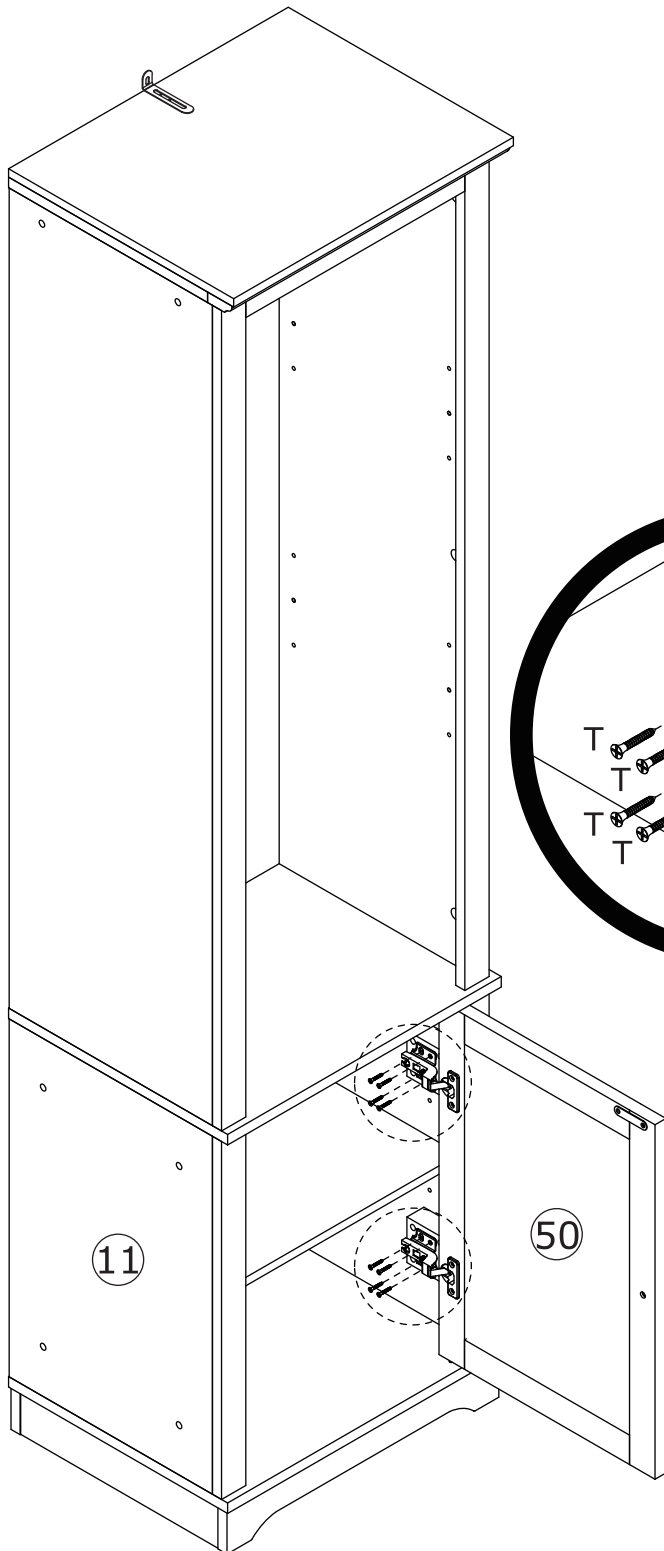
F x 1 	G x 1 	S x 2 	T x 4 
--	--	--	---



I PRODUCT ASSEMBLY

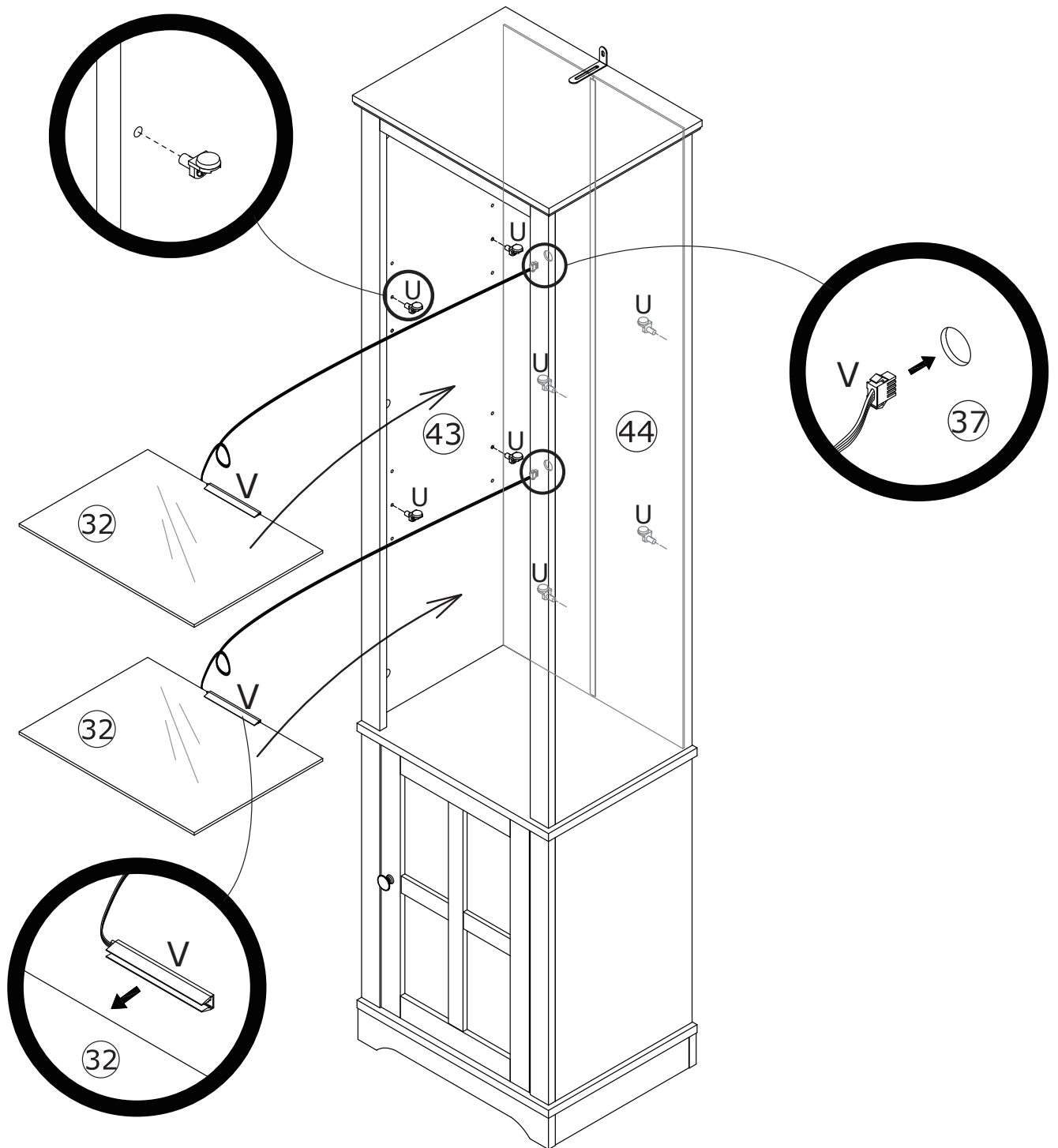
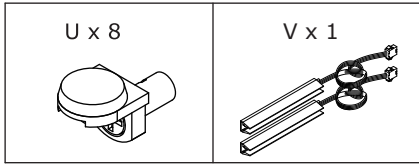
46

T x 8



I PRODUCT ASSEMBLY

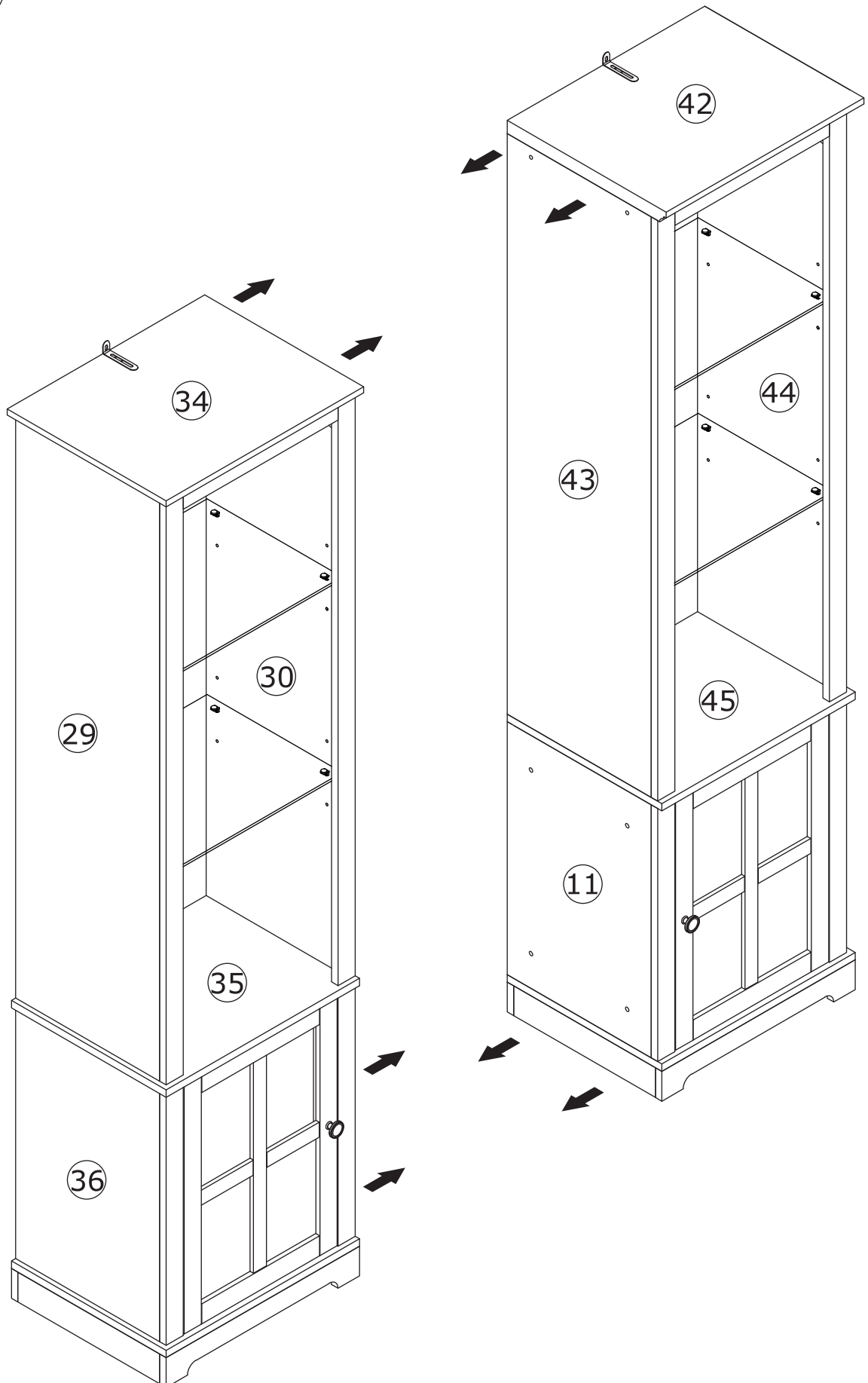
47



I PRODUCT ASSEMBLY

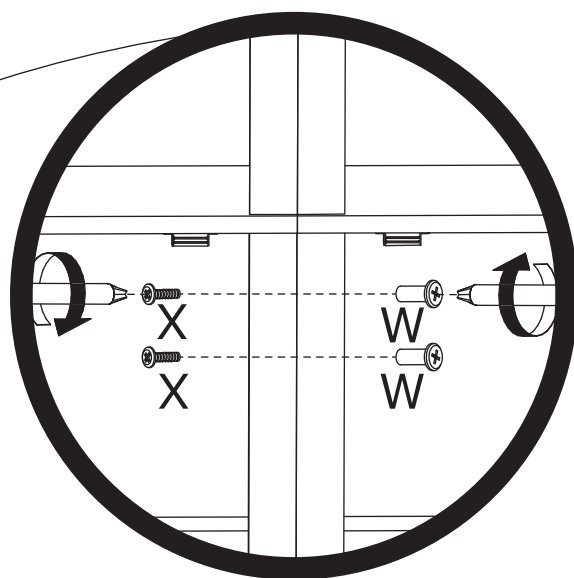
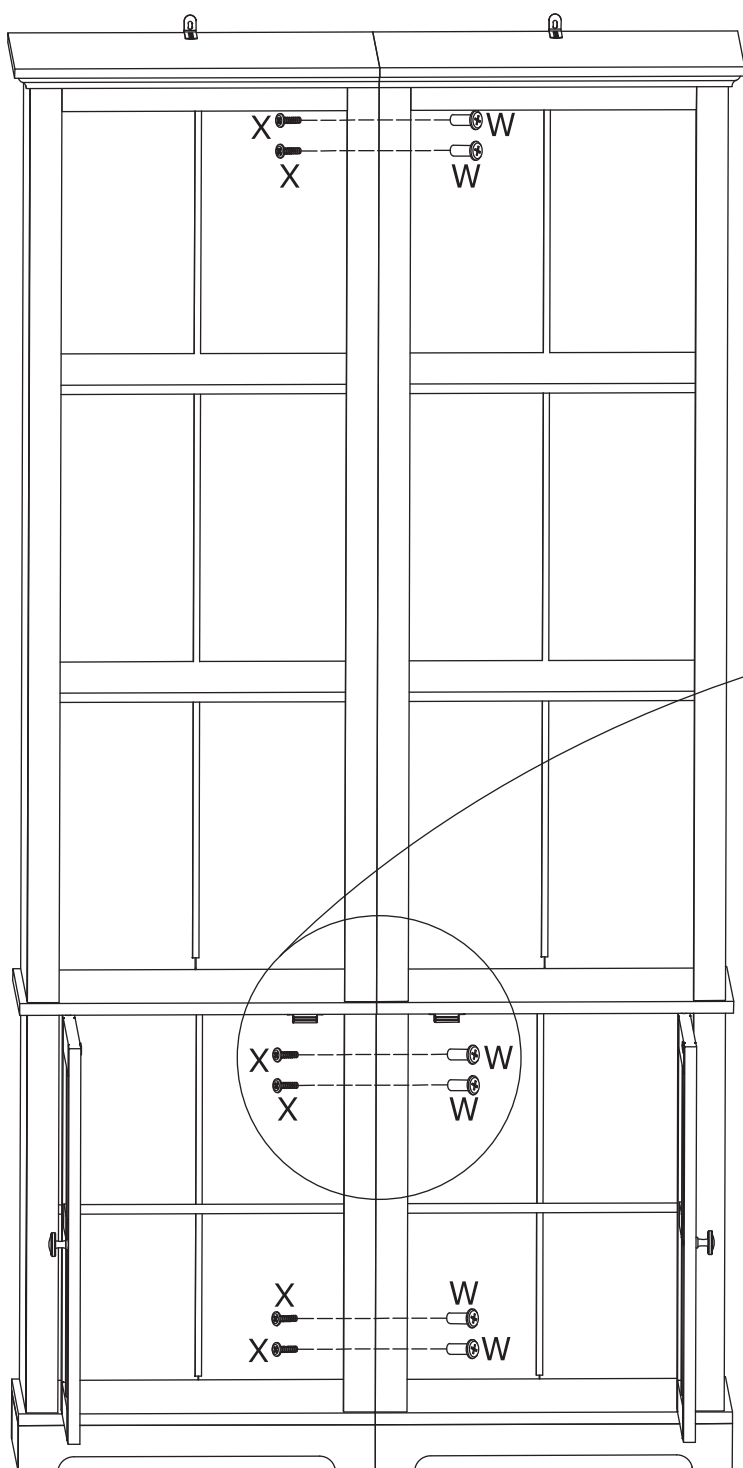
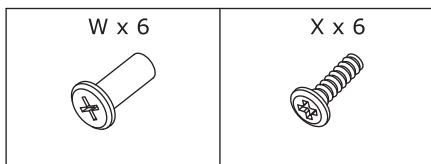
49

The bookshelves can be combined together according to your needs



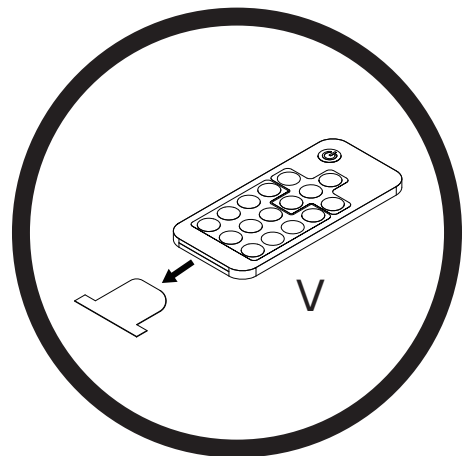
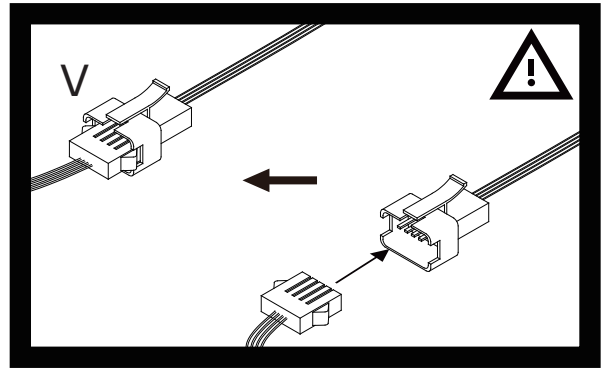
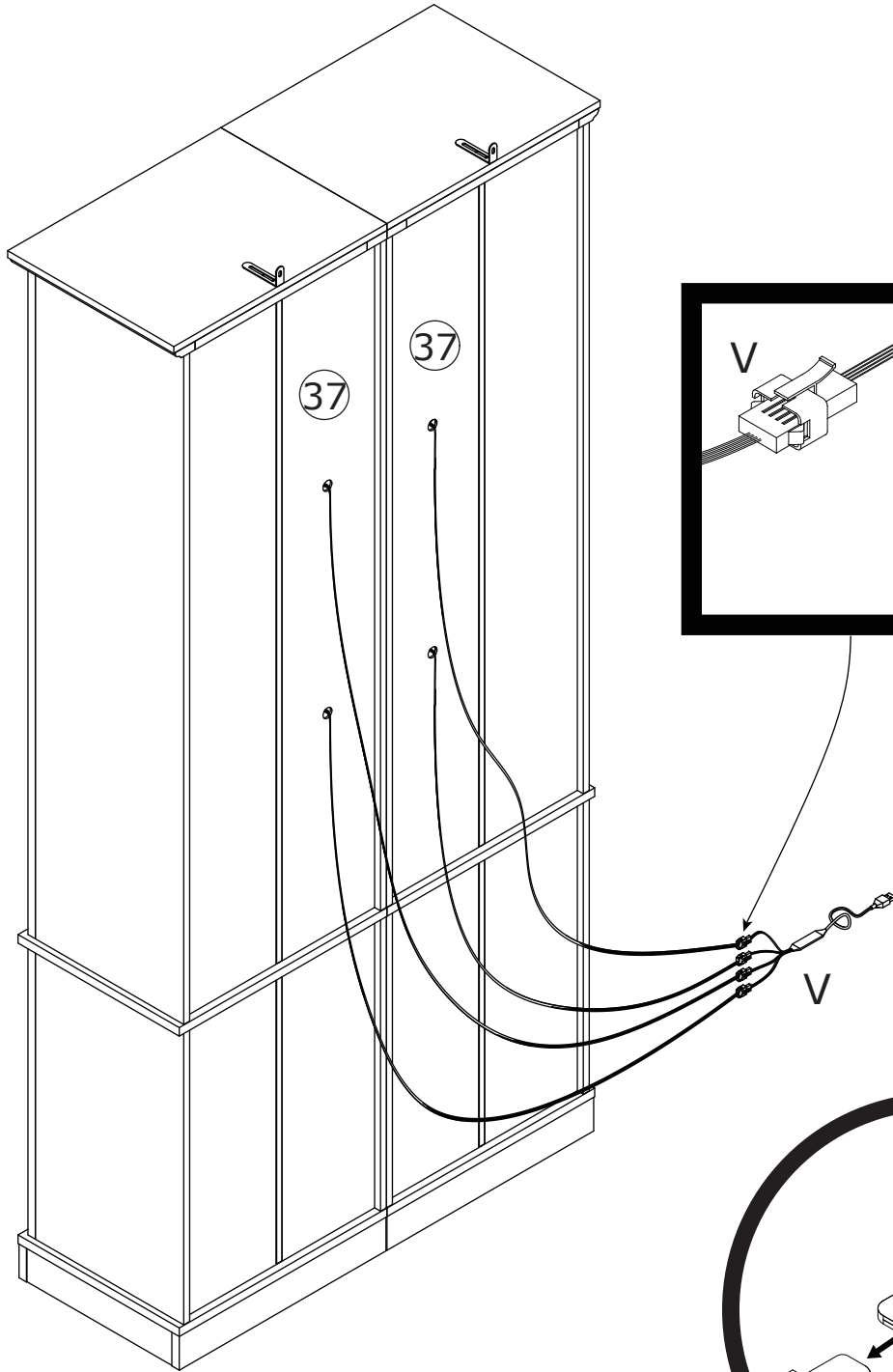
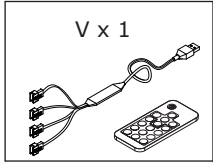
I PRODUCT ASSEMBLY

50



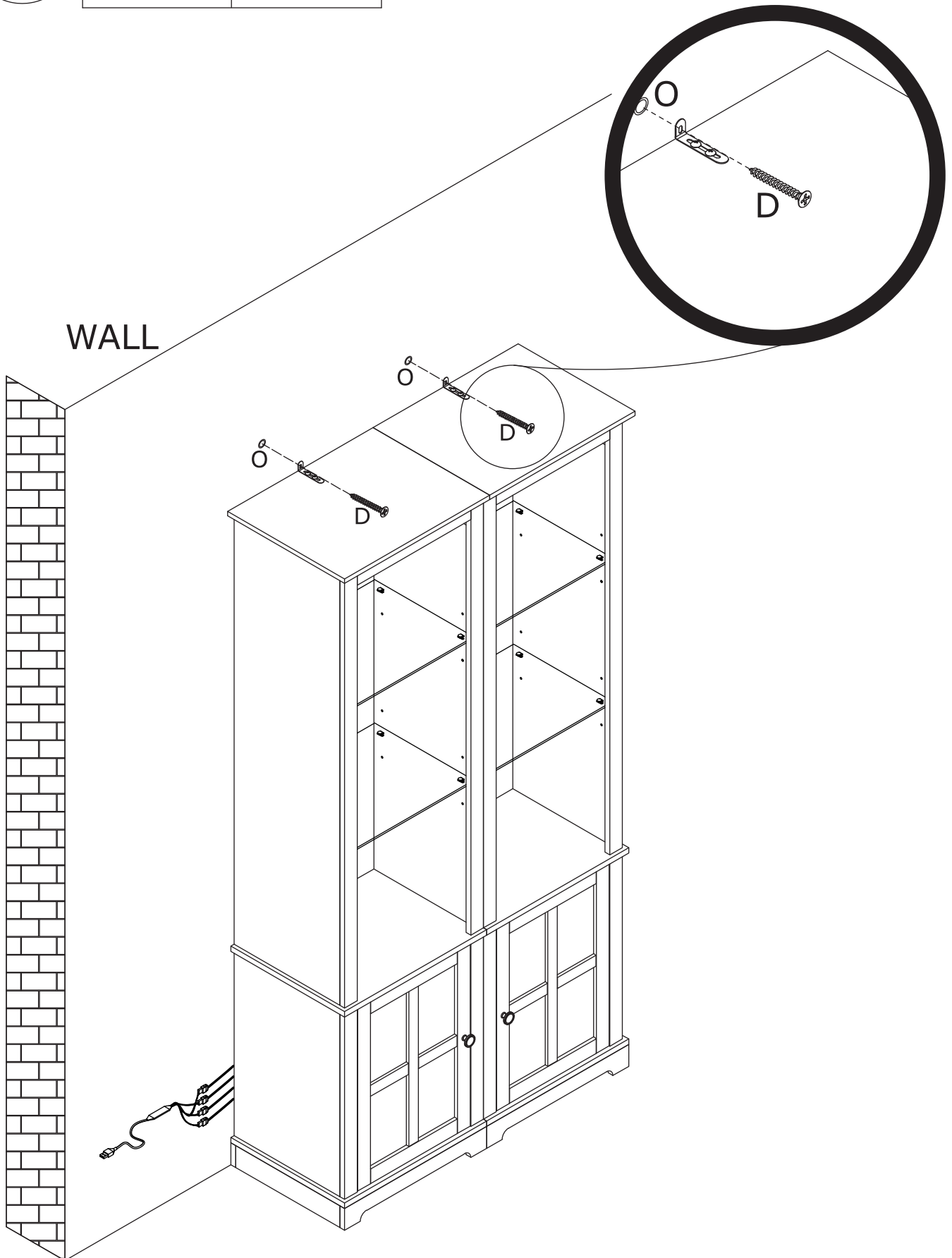
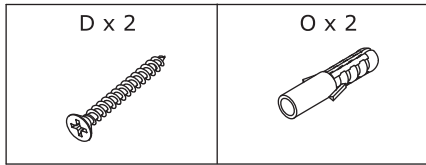
I PRODUCT ASSEMBLY

51



I PRODUCT ASSEMBLY

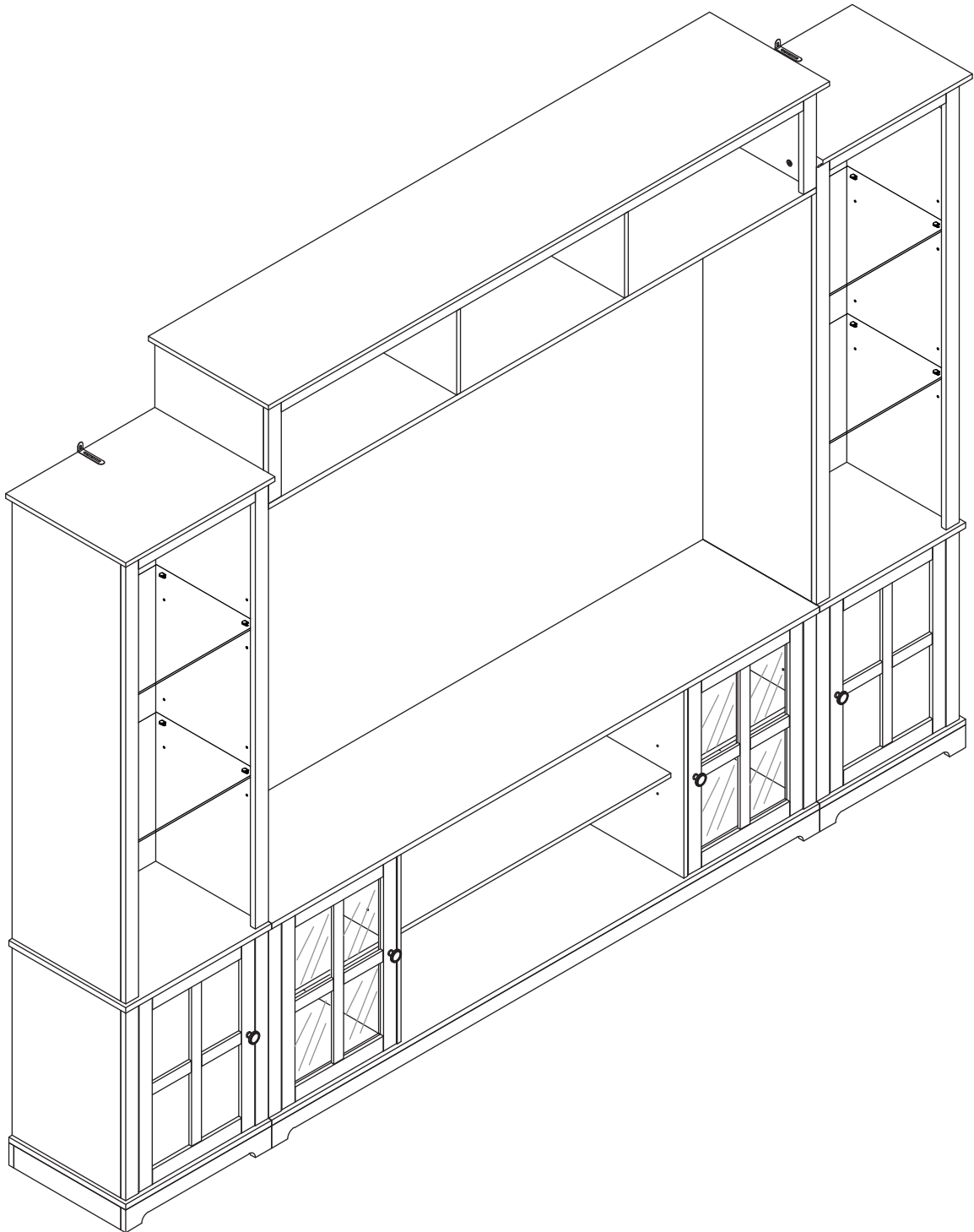
52



I PRODUCT ASSEMBLY

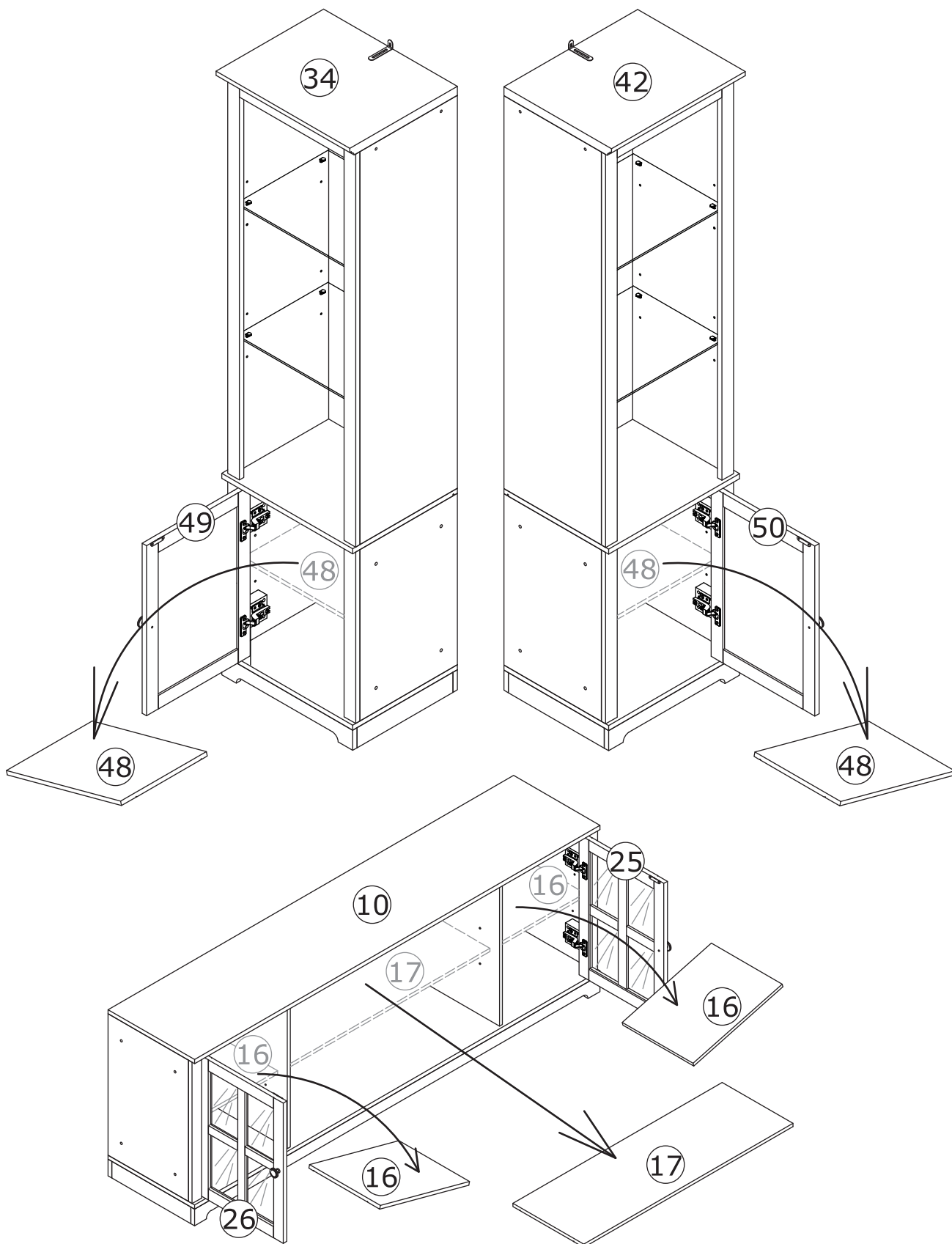
53

1. Before completing this modular TV cabinet, you need to complete other modular parts (divided into 4 pieces in total);
2. Assemble on the floor first, put together and then fix to the wall;



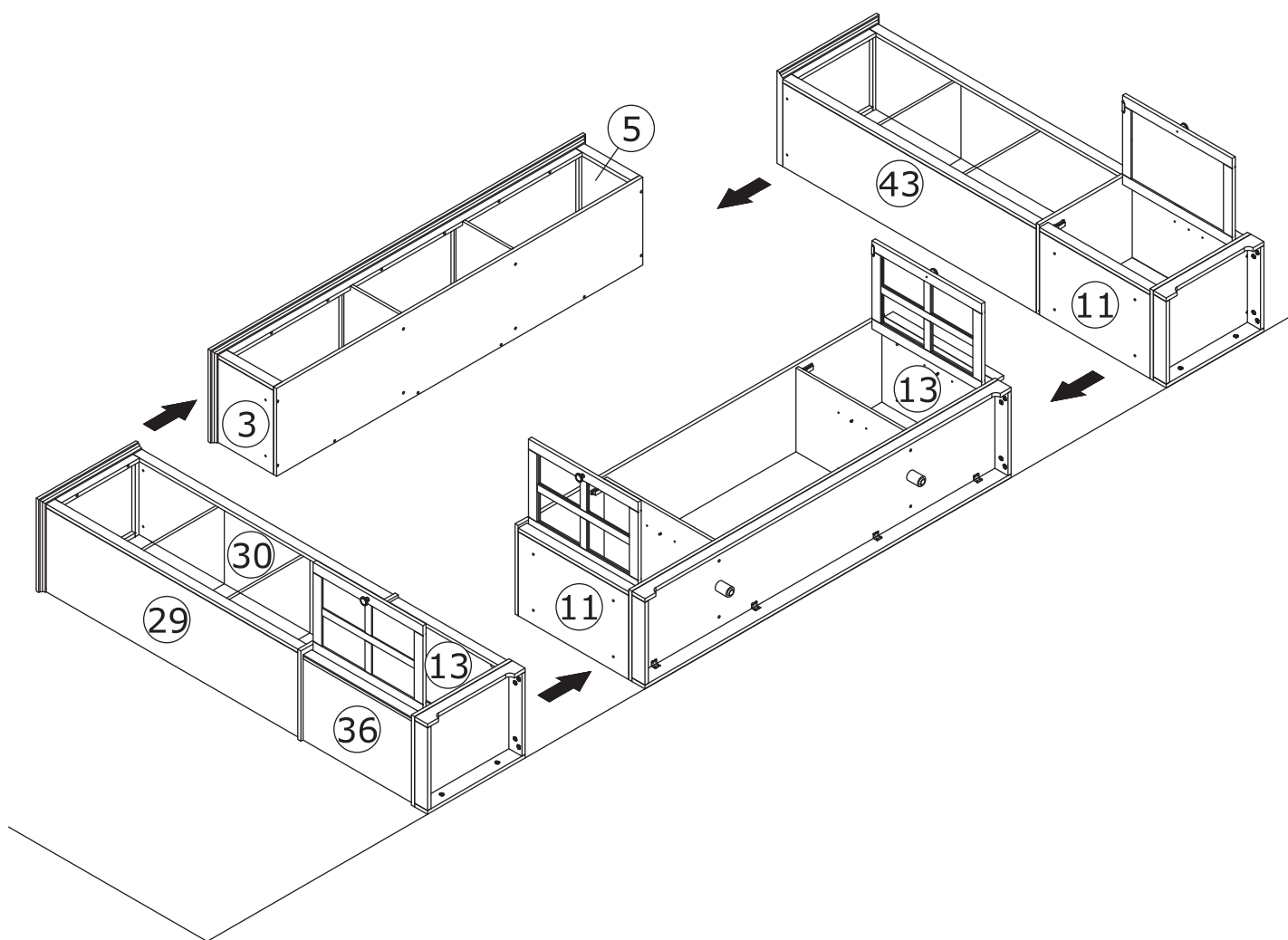
I PRODUCT ASSEMBLY

54



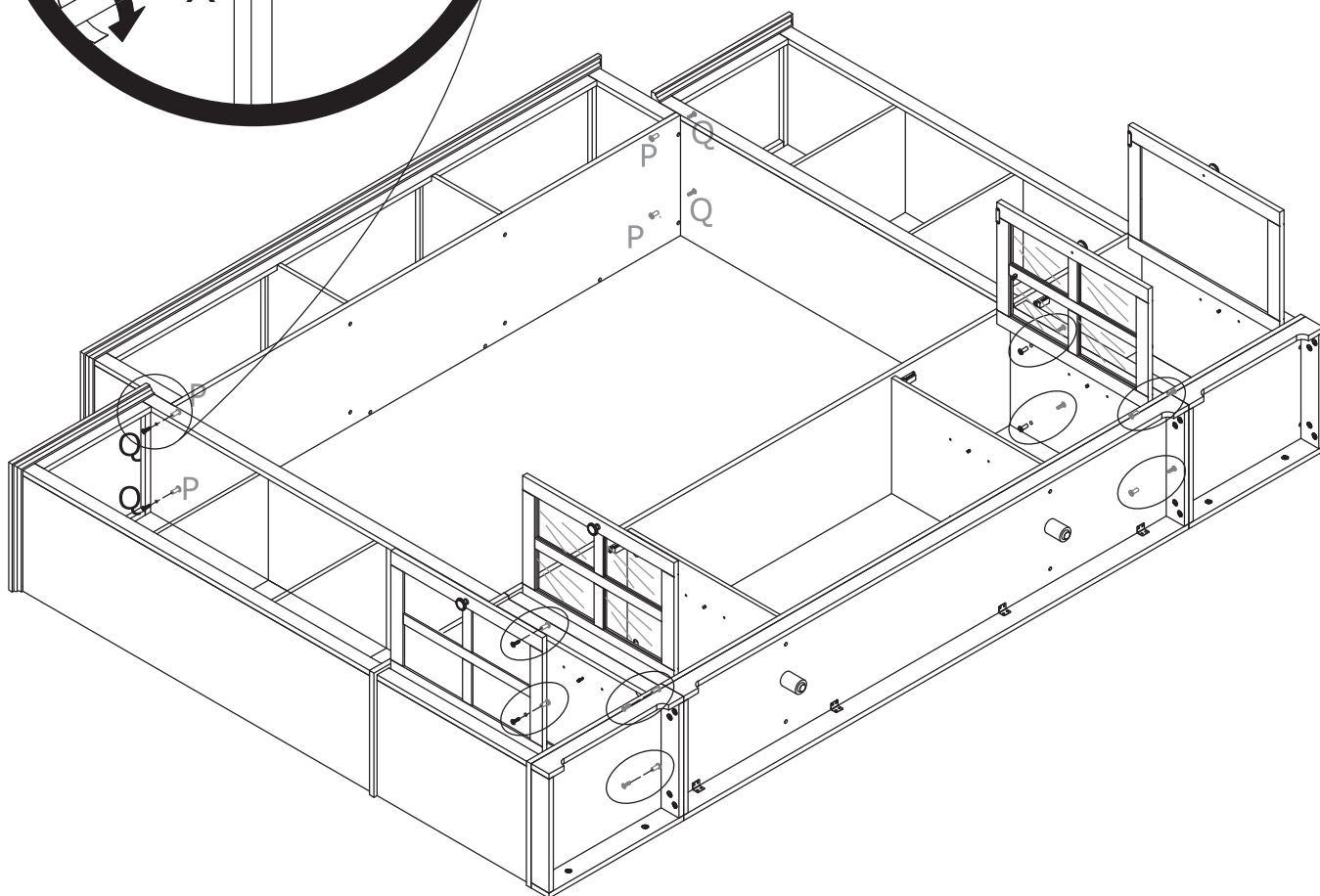
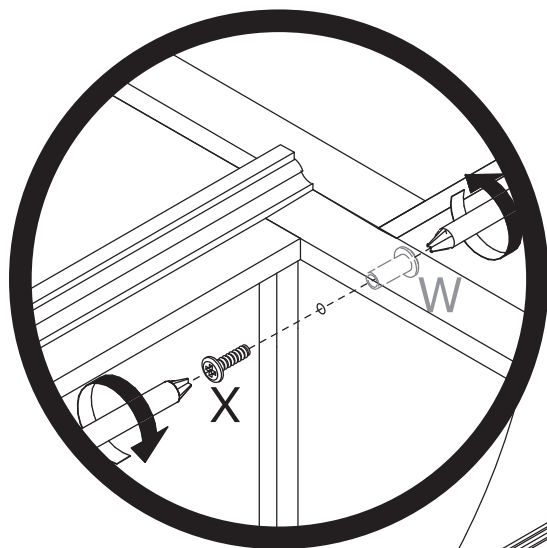
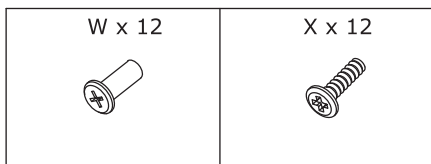
I PRODUCT ASSEMBLY

55



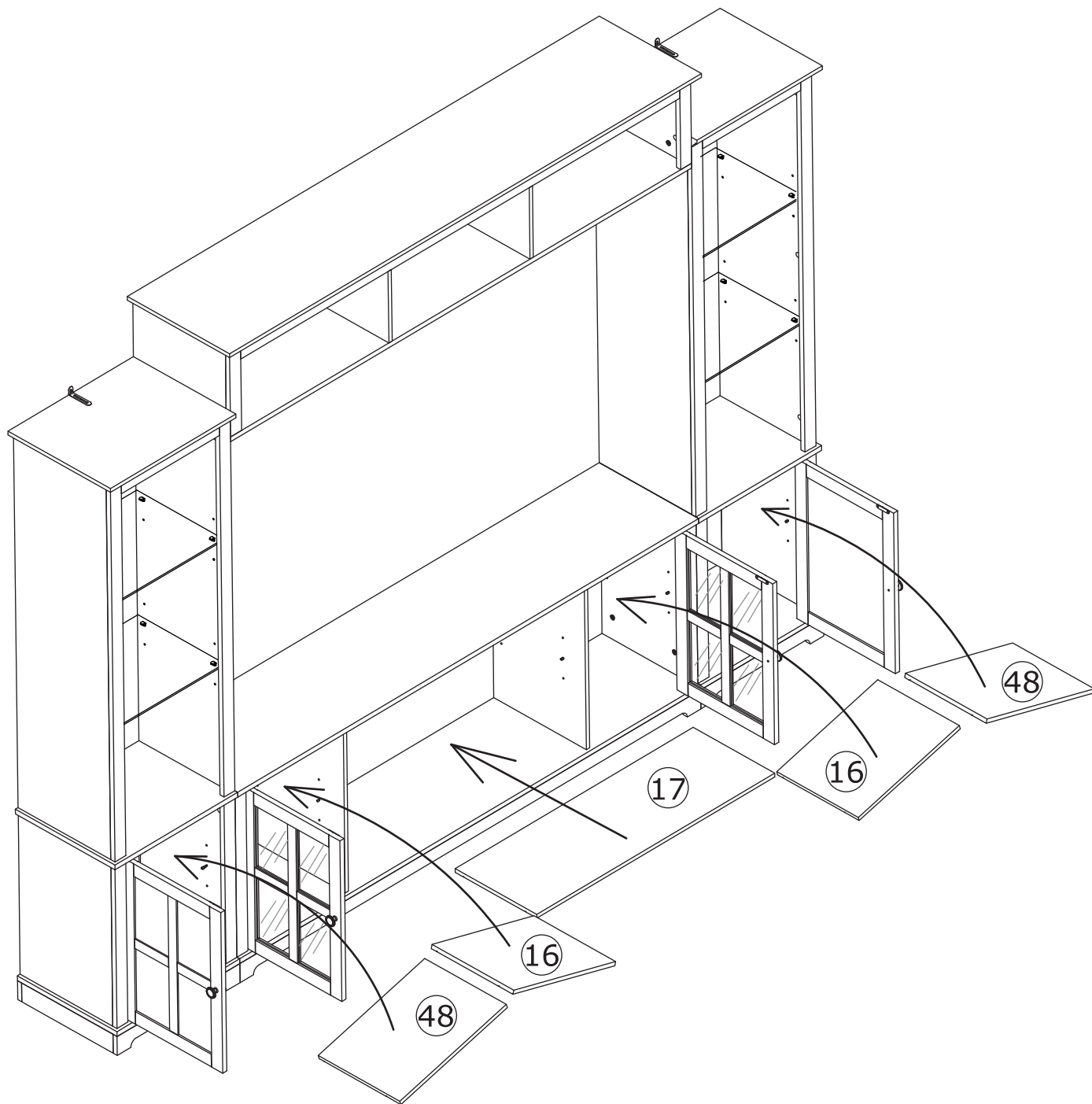
I PRODUCT ASSEMBLY

56



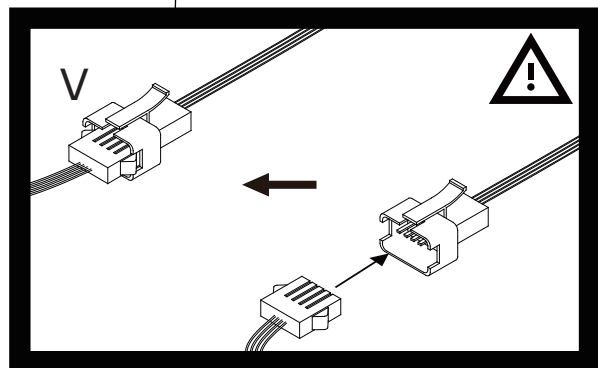
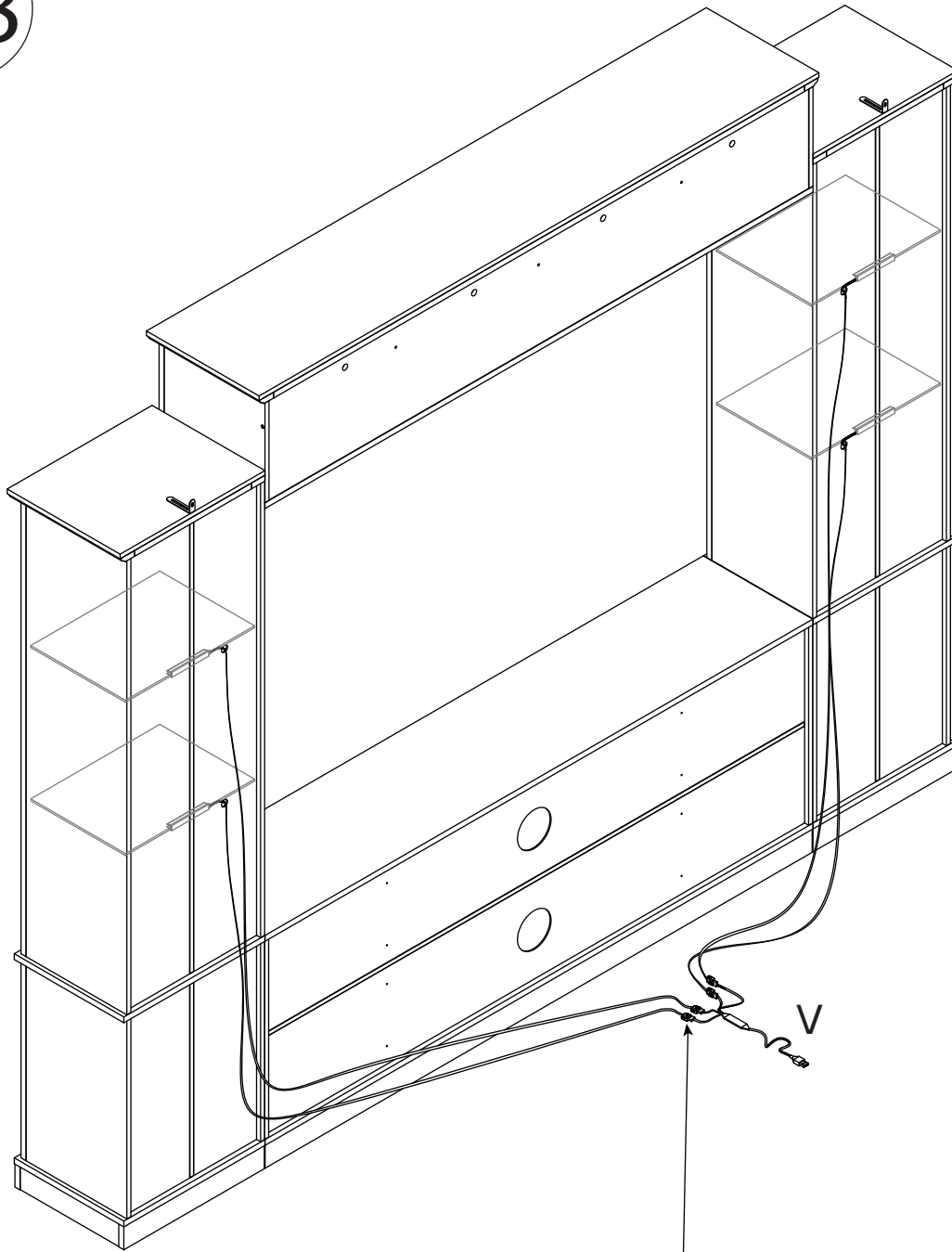
I PRODUCT ASSEMBLY

57



I PRODUCT ASSEMBLY

58



I PRODUCT ASSEMBLY

59

