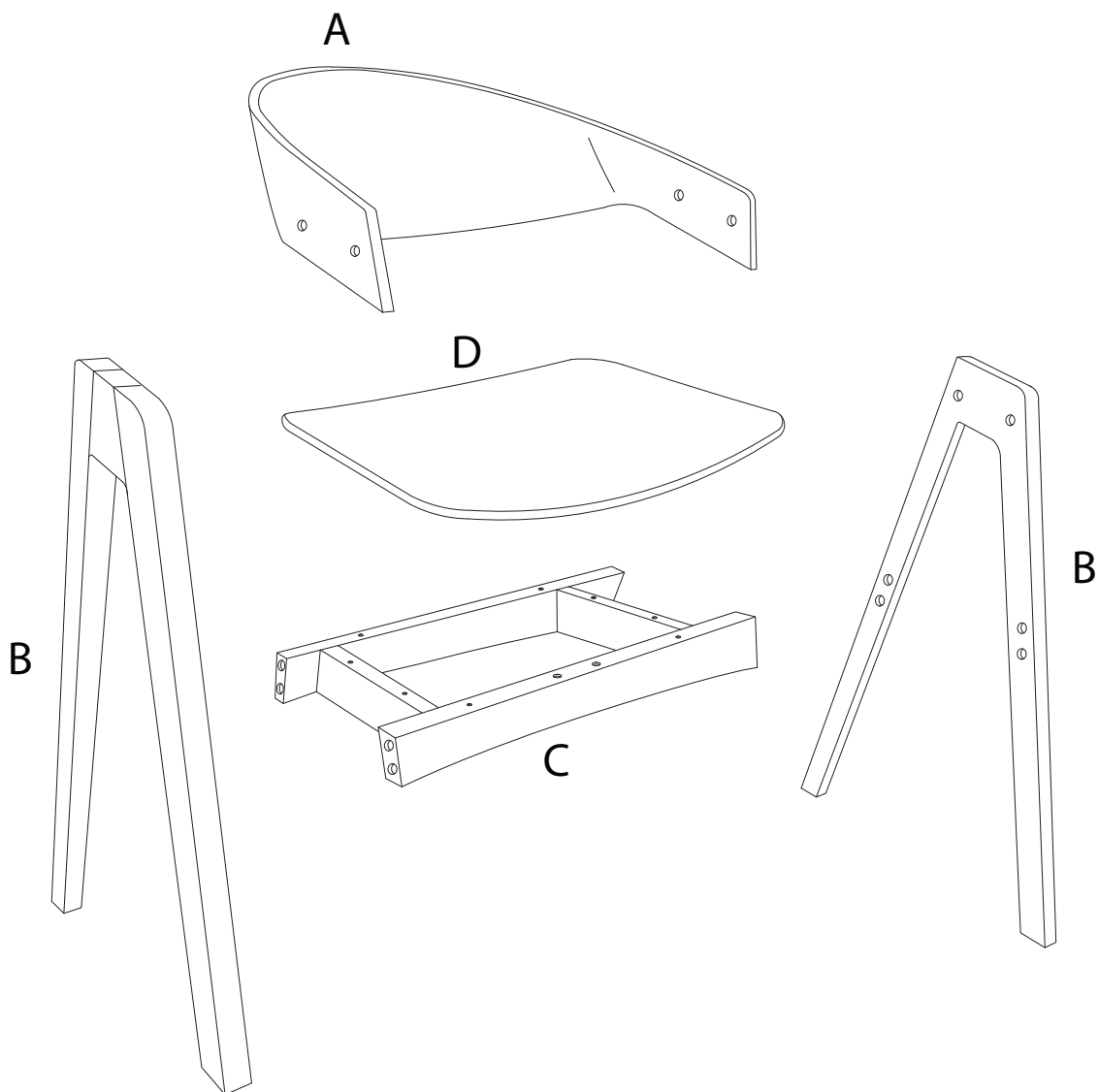
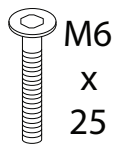

		45'
		2



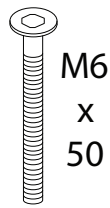
A	B	C	D
x 1	x 2	x 1	x 1

1



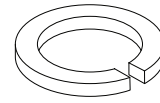
x 4

2



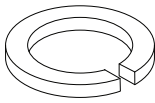
x 4

3



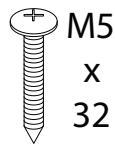
x 4

4



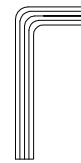
x 4

5



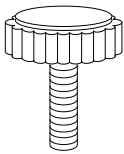
x 8

6



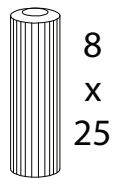
x 1

7



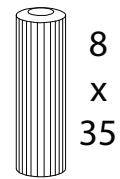
x 4

8



x 2

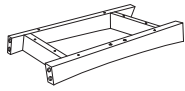
9



x 4

1

C

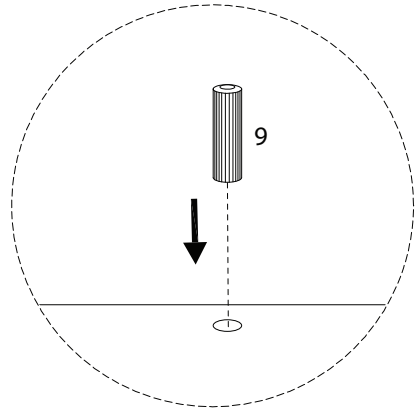
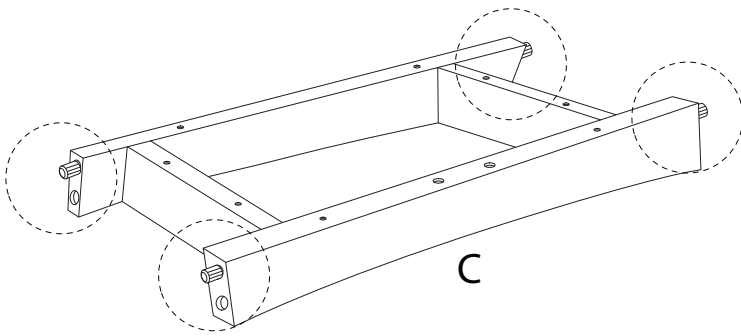


x 1

9



x 4



2

B



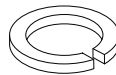
x 2

2



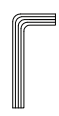
x 4

4

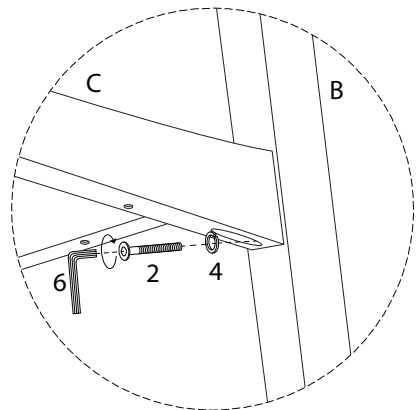
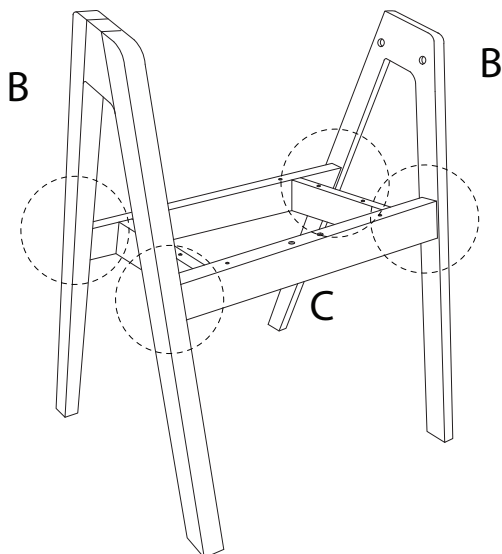


x 4

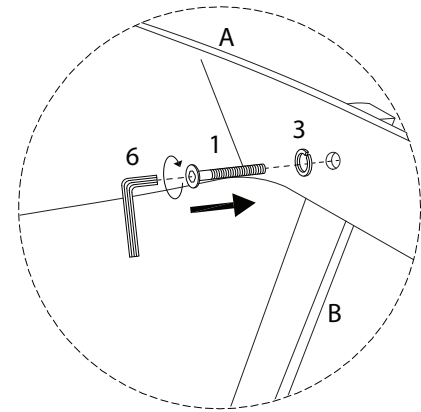
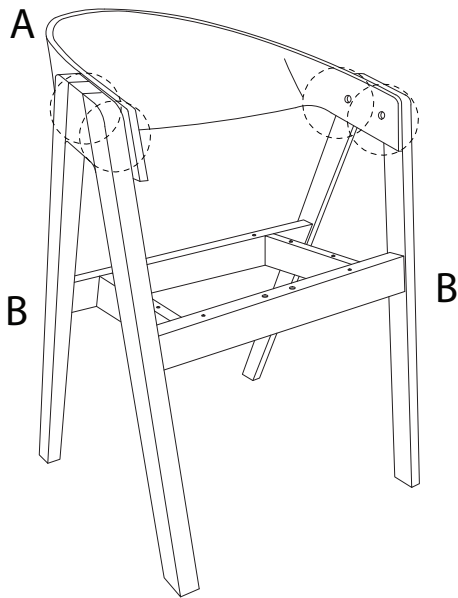
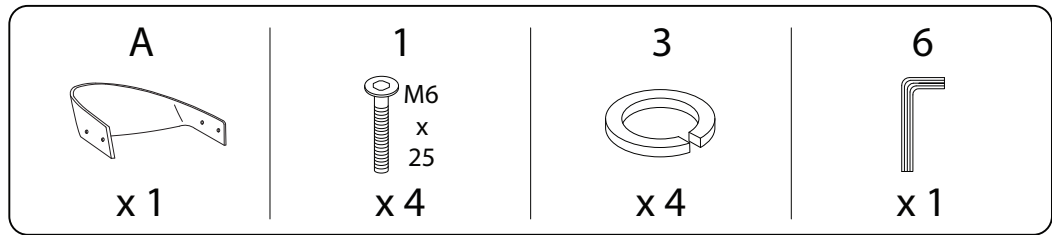
6



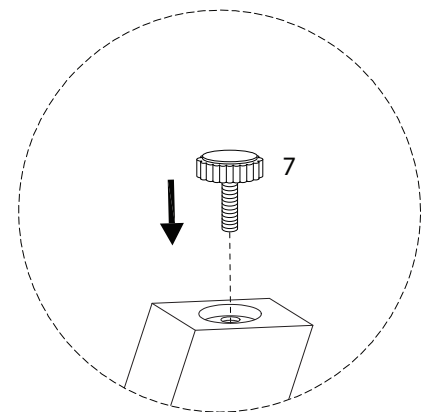
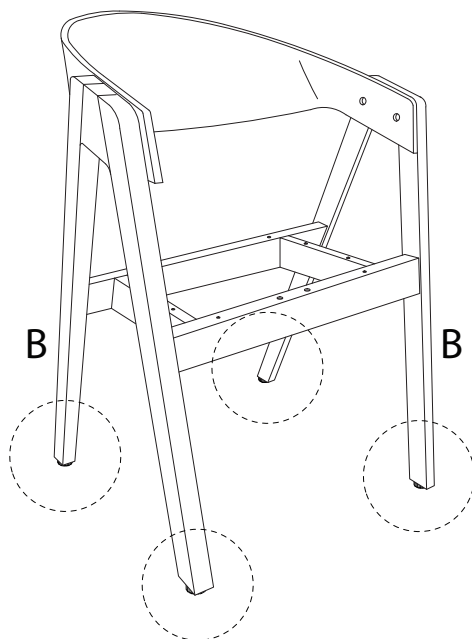
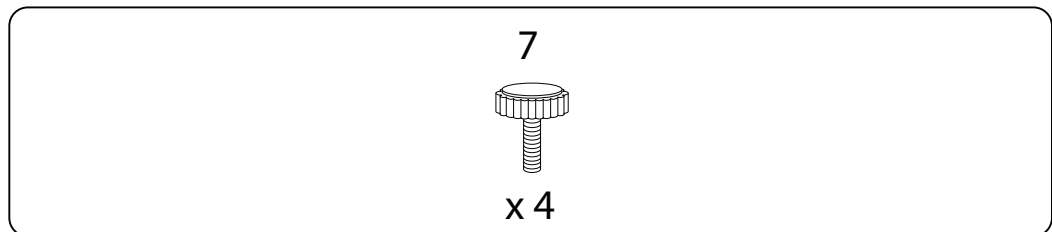
x 1




3

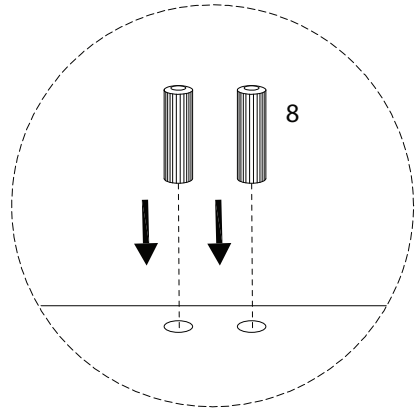
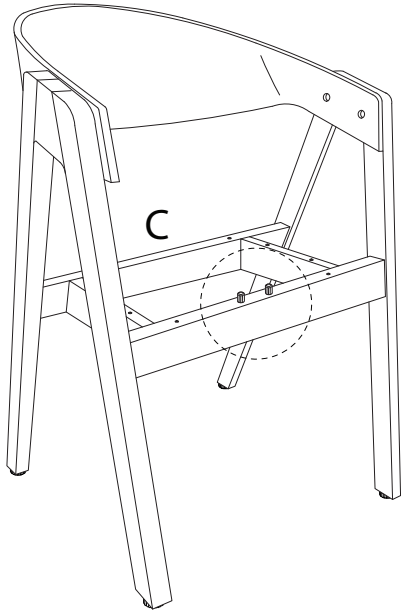


4




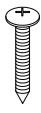
5

8

x 2



6

D

x 1

5
 M5
x
32
x 8

