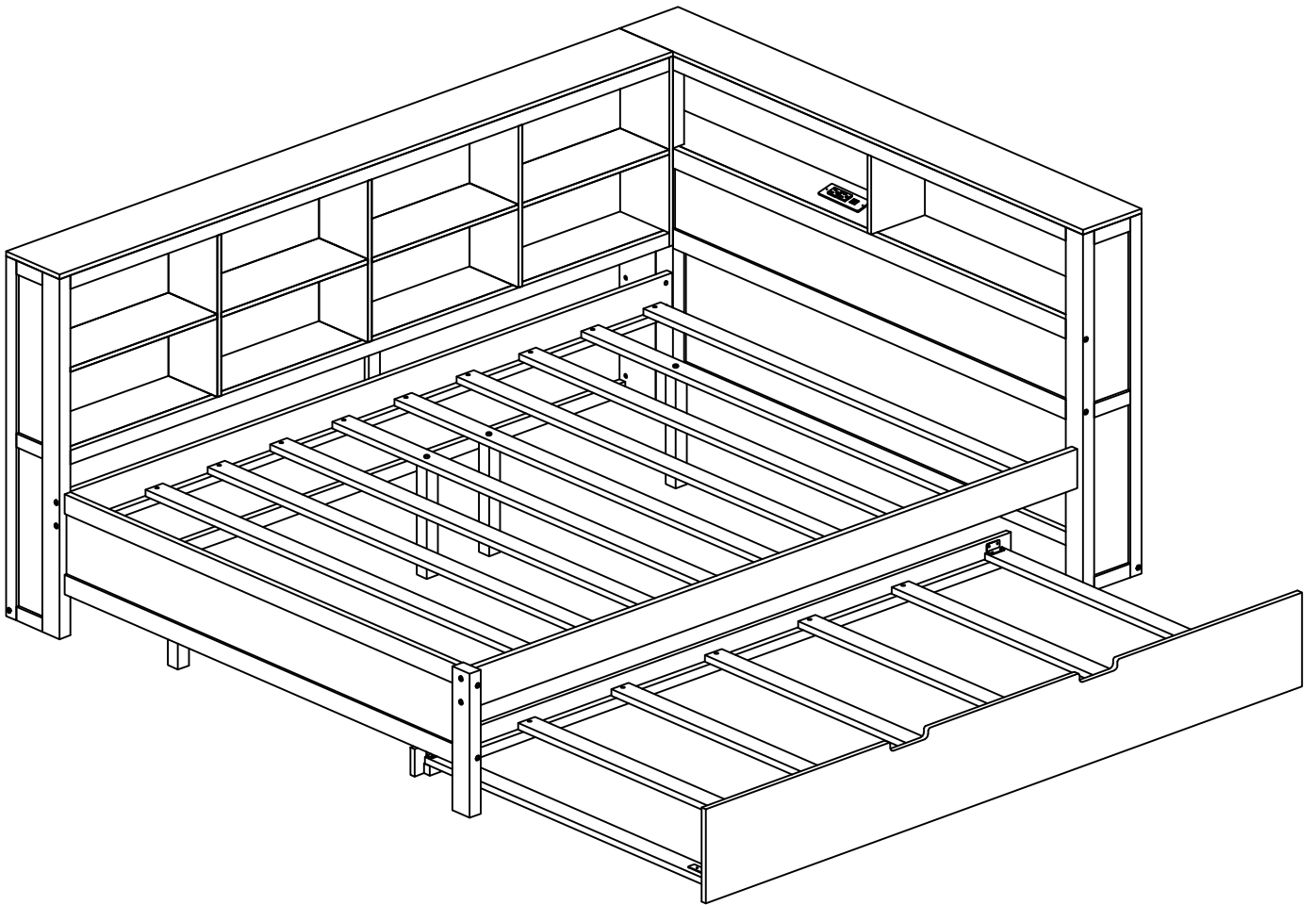
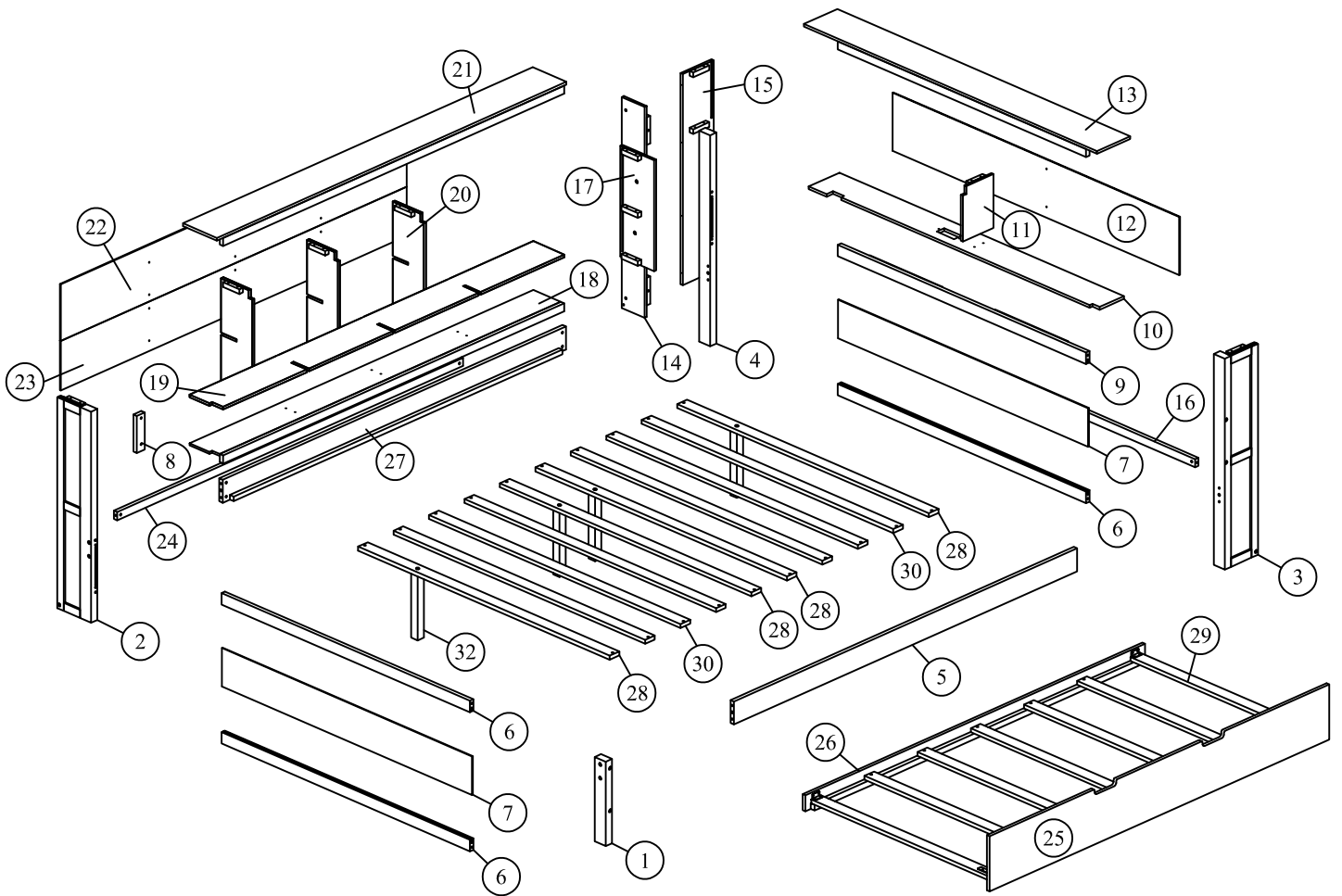


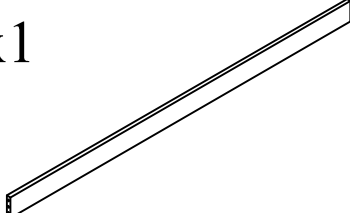

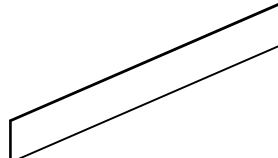

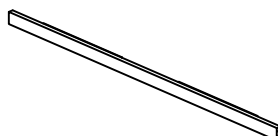
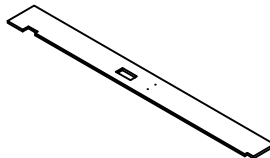
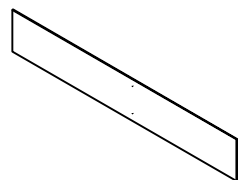
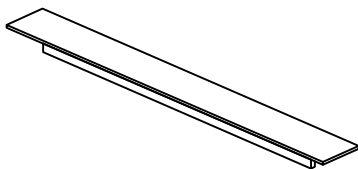
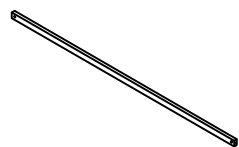
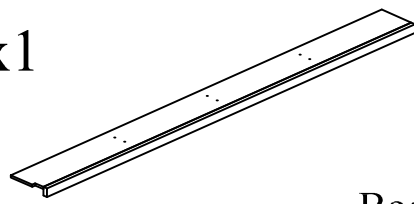
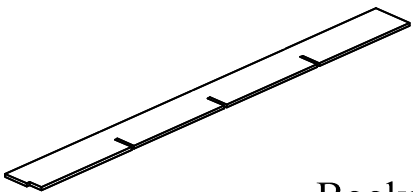
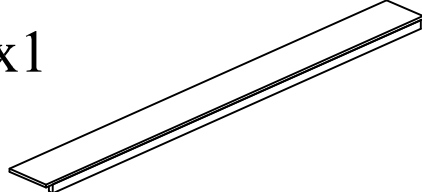
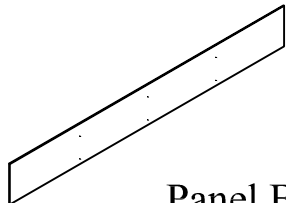
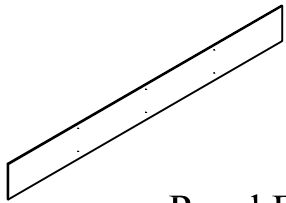
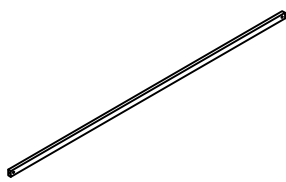
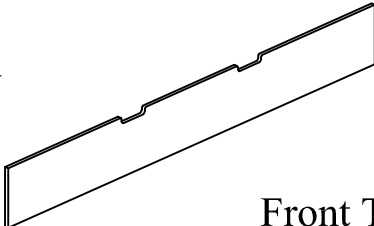
ASSEMBLY INSTRUCTION



Detail view



Part List

<p>5 x1</p>  <p>Side rail</p>	<p>6 x3</p>  <p>Crossbar Footboard - Headboard</p>
<p>7 x2</p>  <p>Panel Footboard - Headboard</p>	<p>8 x1</p>  <p>Support Side rail</p>
<p>9 x1</p>  <p>Crossbar Headboard</p>	<p>10 x1</p>  <p>Bookshelf Headboard</p>
<p>12 x1</p>  <p>Panel Bookshelf Headboard</p>	<p>13 x1</p>  <p>Top Bookshelf Headboard</p>
<p>16 x1</p>  <p>Crossbar Bookshelf Headboard</p>	<p>18 x1</p>  <p>Bookshelf</p>
<p>19 x1</p>  <p>Bookshelf</p>	<p>21 x1</p>  <p>Top Bookshelf</p>
<p>22 x1</p>  <p>Panel Bookshelf</p>	<p>23 x1</p>  <p>Panel Bookshelf</p>
<p>24 x1</p>  <p>Crossbar Bookshelf</p>	<p>25 x1</p>  <p>Front Trundle</p>

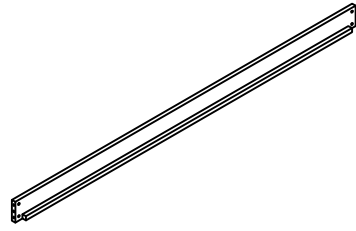
Part List

26 x1



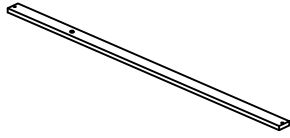
Back Trundle

27



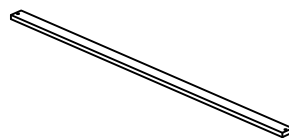
Side rail

28 x4




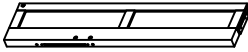
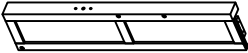
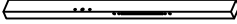
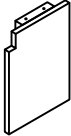
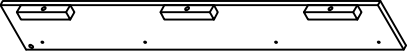
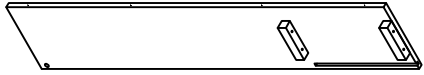
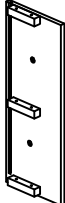

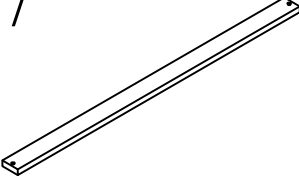

Slats

30 x6

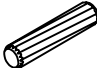
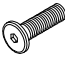
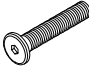










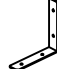
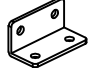
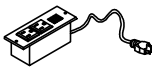

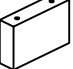
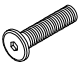


Slats

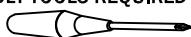
Part List

<p>① x1</p>  <p>Leg Footboard</p>	<p>② x1</p>  <p>Leg Footboard</p>
<p>③ x1</p>  <p>Leg Headboard</p>	<p>④ x1</p>  <p>Leg Headboard</p>
<p>⑪ x1</p>  <p>Mid Bookshelf</p>	<p>⑭ x1</p>  <p>Frame Headboard Leg</p>
<p>⑮ x1</p>  <p>Frame Headboard Leg</p>	<p>⑰ x1</p>  <p>Side Bookshelf</p>
<p>⑳ x3</p>  <p>Mid Bookshelf</p>	<p>㉑ x7</p>  <p>Slats</p>
<p>㉓ x4</p>  <p>Leg Supports</p>	

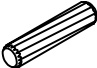



Hardware List

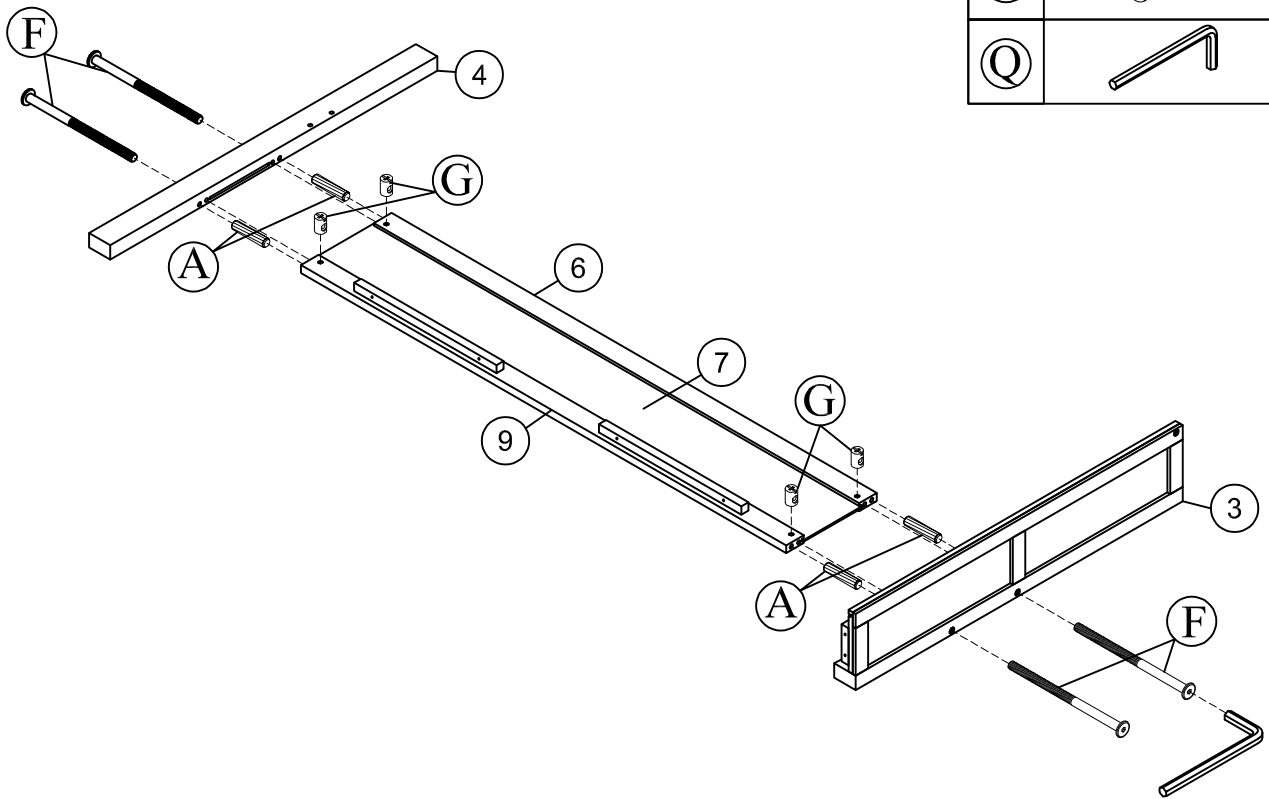
No.	OUTLOOK	DESC	QTY
(A)		Dowel Ø10*40mm	12
(B)		Bolts 1/4"*20mm	2
(C)		Bolts 1/4"*40mm	7
(D)		Bolts 1/4"*60mm	4
(E)		Bolts 1/4"*70mm	8
(F)		Bolts 1/4"*100mm	8
(G)		Cross dowel 1/4"*13mm	20
(H)		Screws #6*12mm	34
(I)		Screws #8*25mm	32
(J)		Screws #8*30mm	38
(K)		Screws #8*40mm	12
(L)		Round head screw #8*40mm	14
(M)		Wheels	4
(N)		Base L long	2
(O)		Base L small	2
(P)		Power outlet	1
(Q)		Allen key 60*22*4mm	1
(R)		Wood stops	2
(S)		Bolts 1/4"*30mm	2

ASSEMBLY TOOLS REQUIRED (NOT INCLUDED)

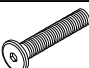



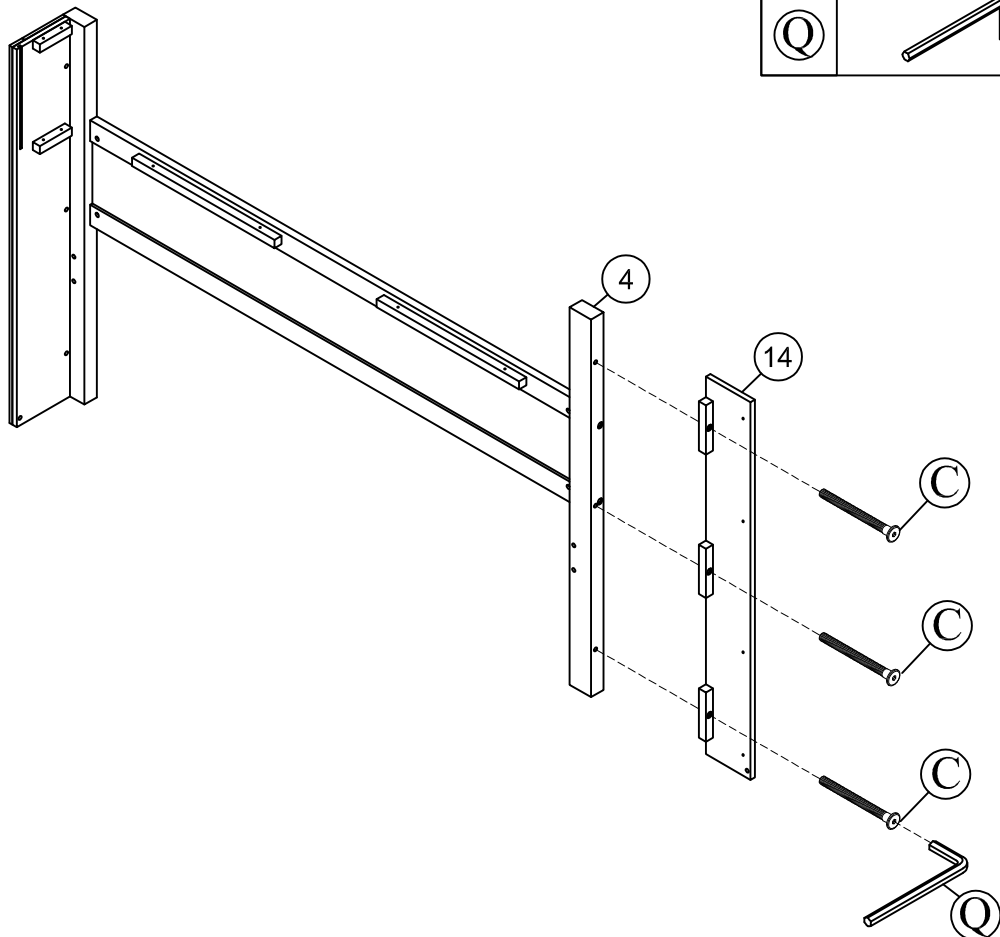
STEP 1:

(A)		04
(F)		04
(G)		04
(Q)		01




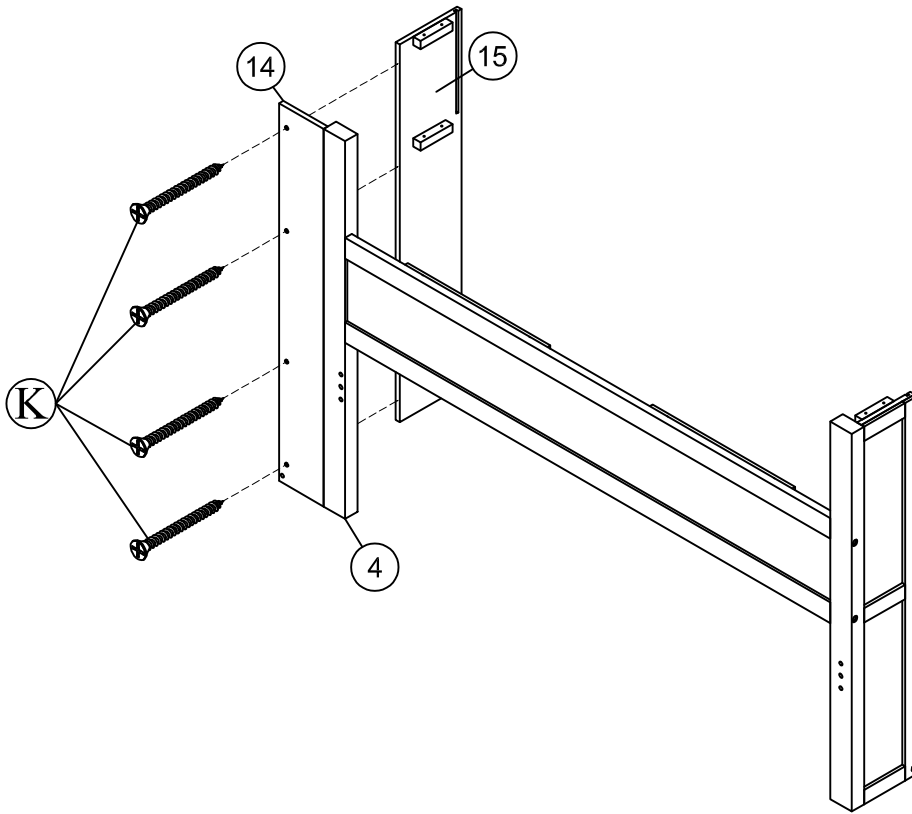
STEP 2:

(C)		03
(Q)		01



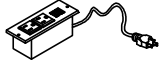


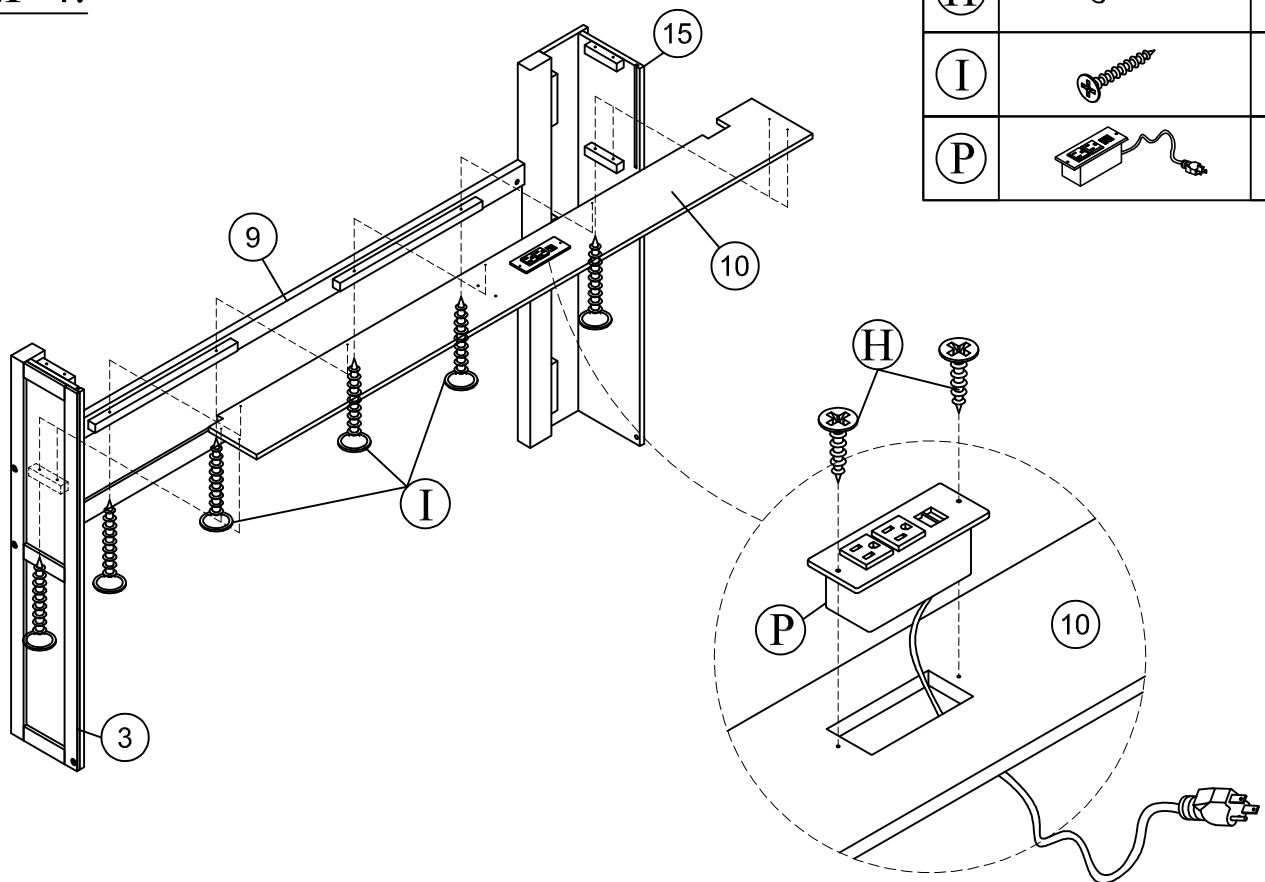
STEP 3:

(K)		04
-----	--	----




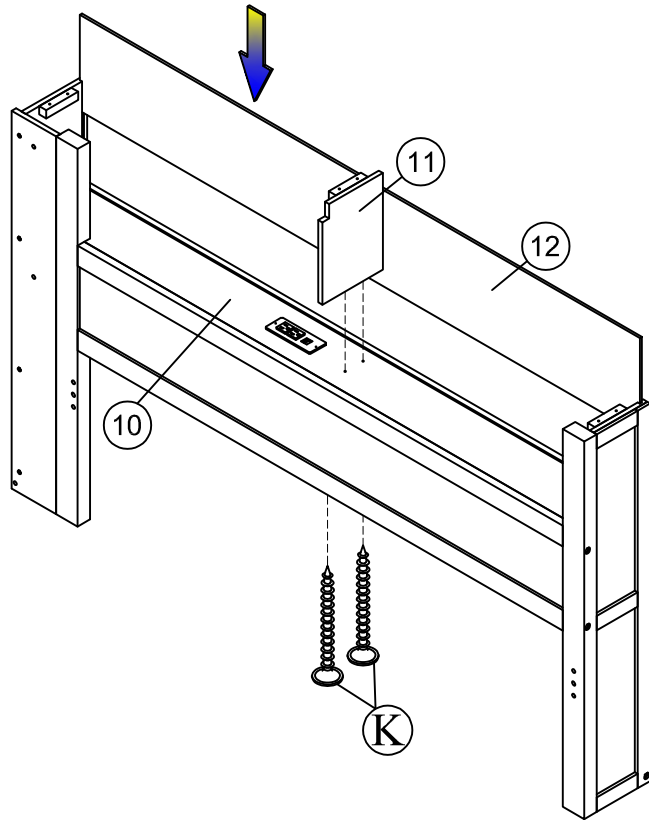
STEP 4:

(H)		02
(I)		08
(P)		01




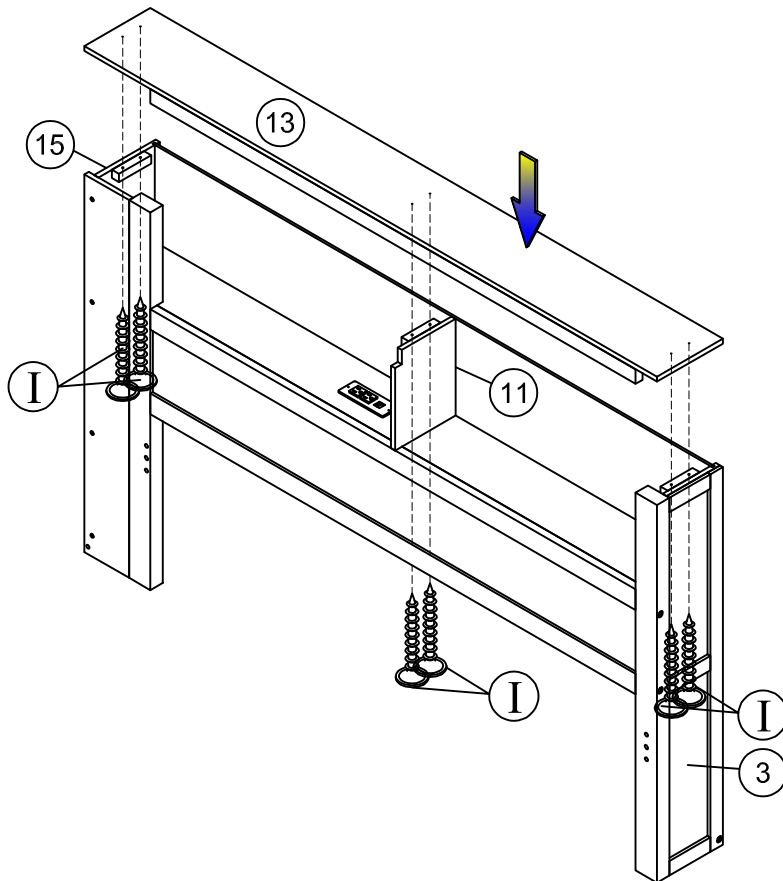
STEP 5:

Ⓚ		02
---	--	----

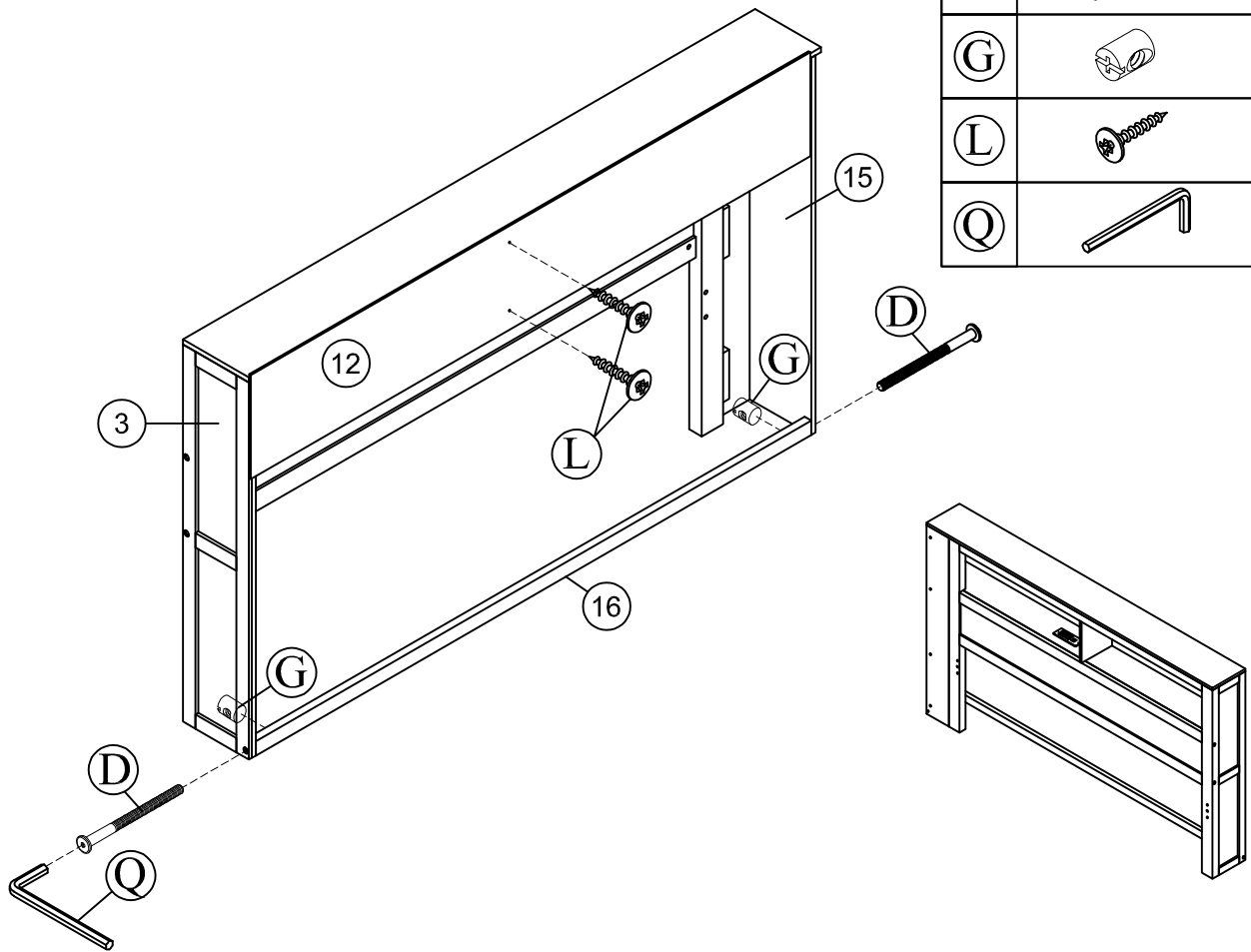


STEP 6:

Ⓢ		06
---	---	----

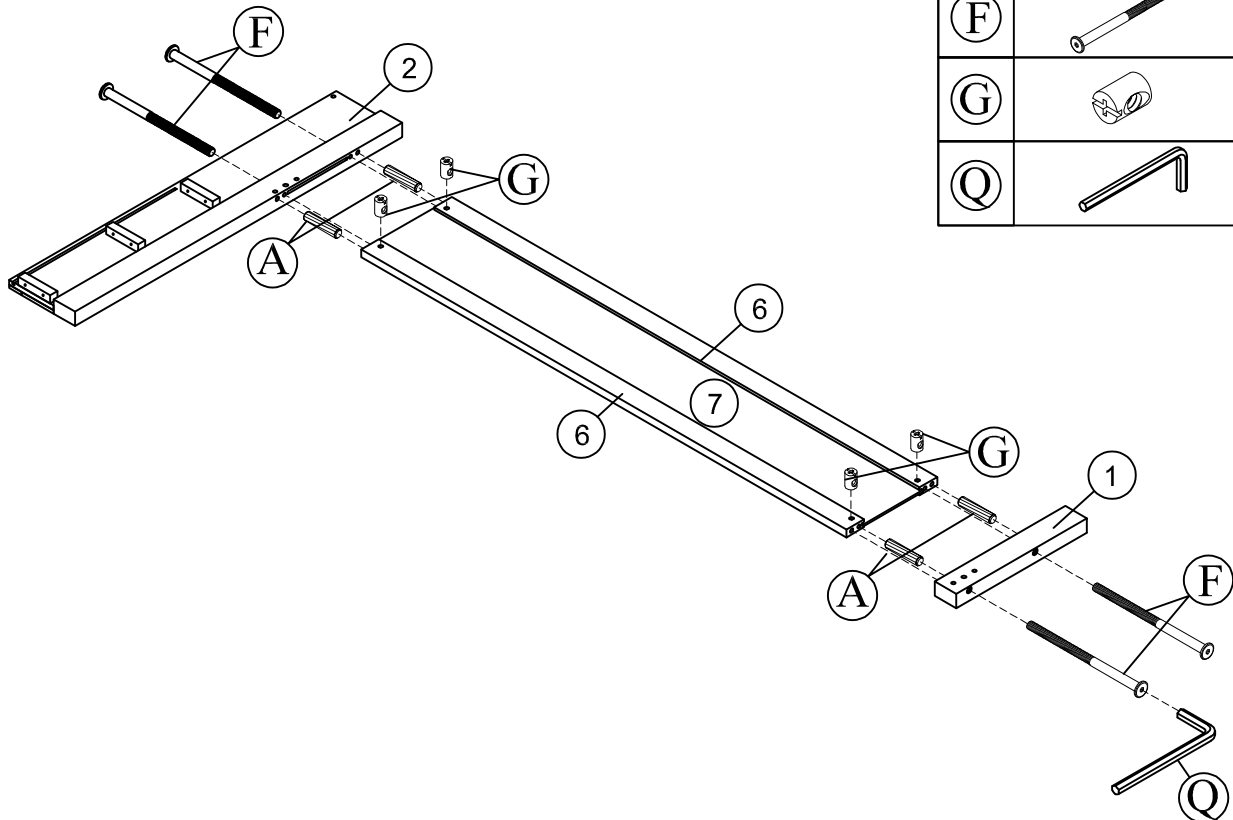


STEP 7:

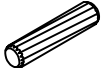





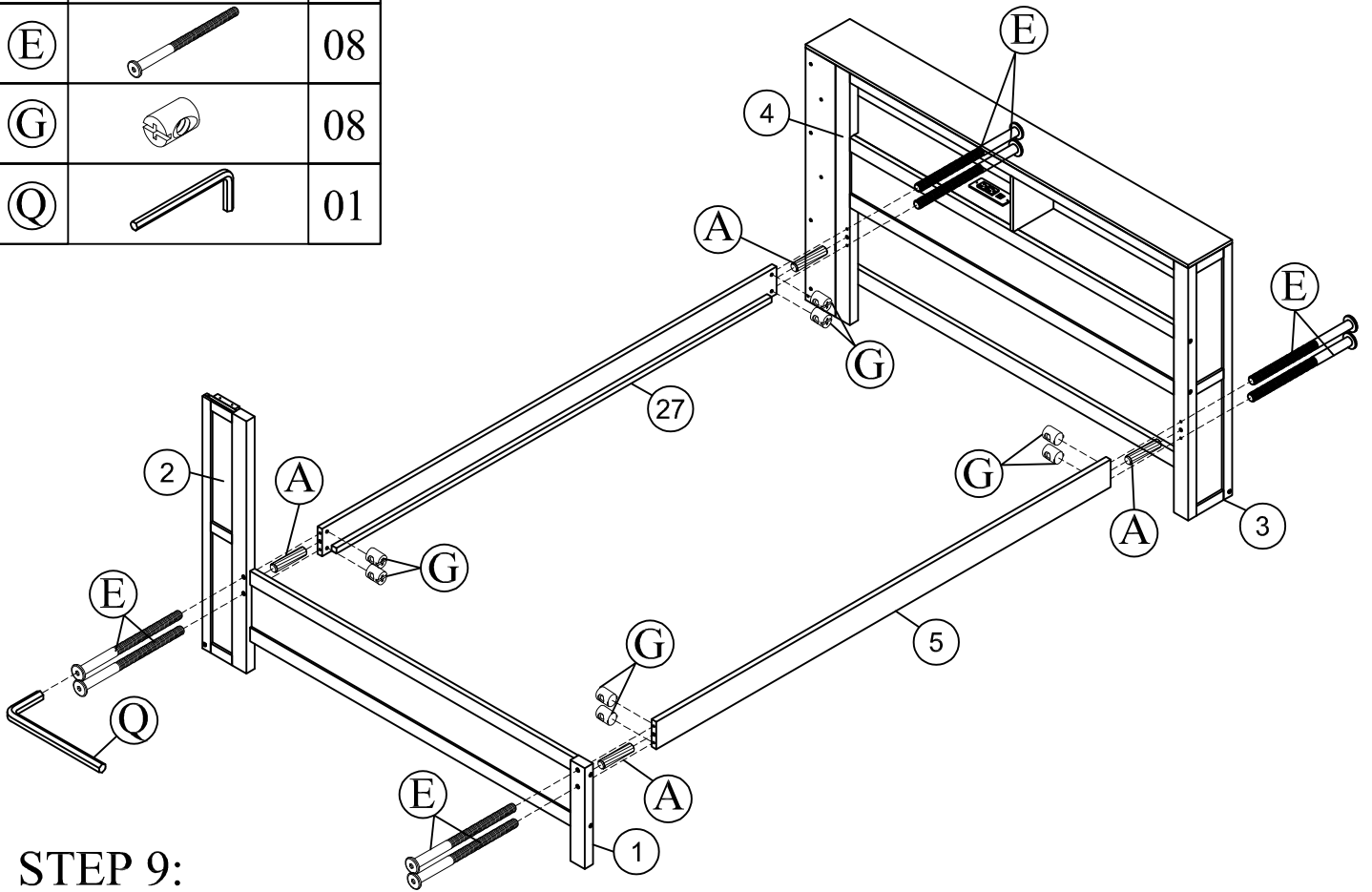
(D)		02
(G)		02
(L)		02
(Q)		01

STEP 8:



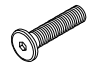

(A)		04
(F)		04
(G)		04
(Q)		01

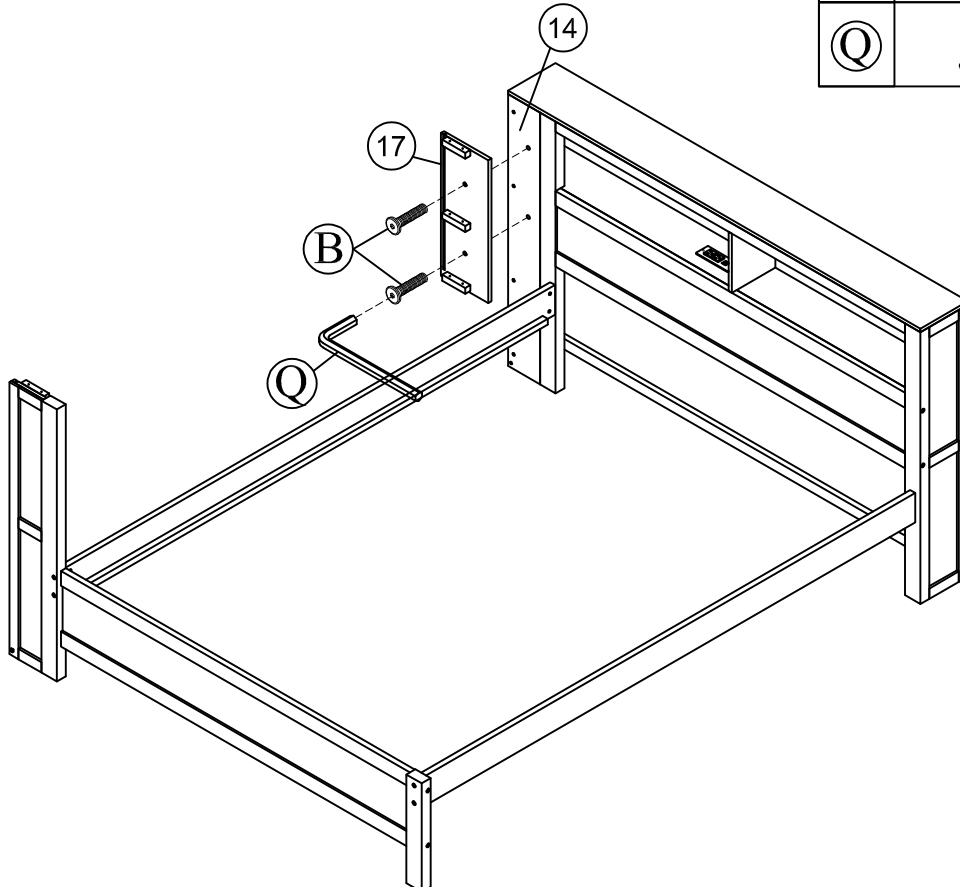
(A)		04
(E)		08
(G)		08
(Q)		01



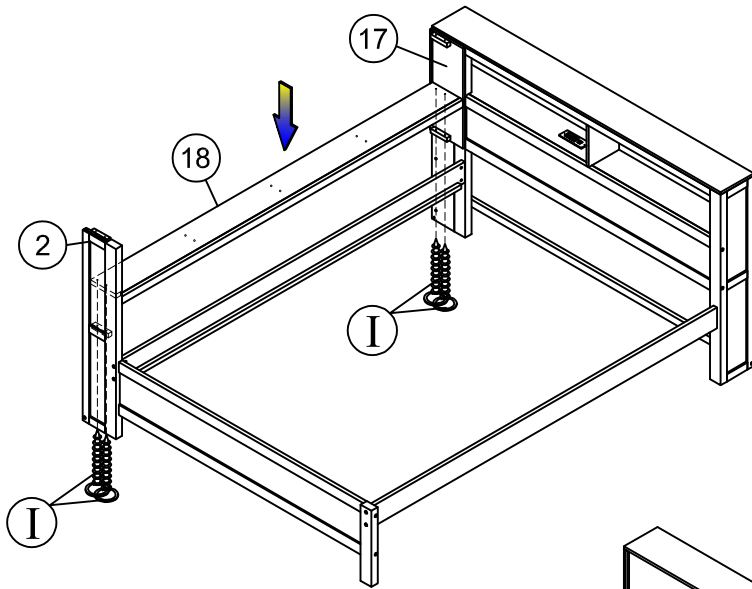
STEP 9:


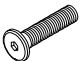

STEP 10:

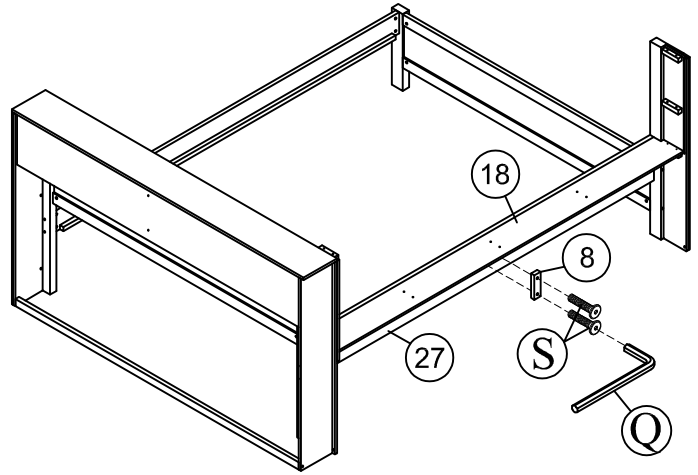
(B)		02
(Q)		01



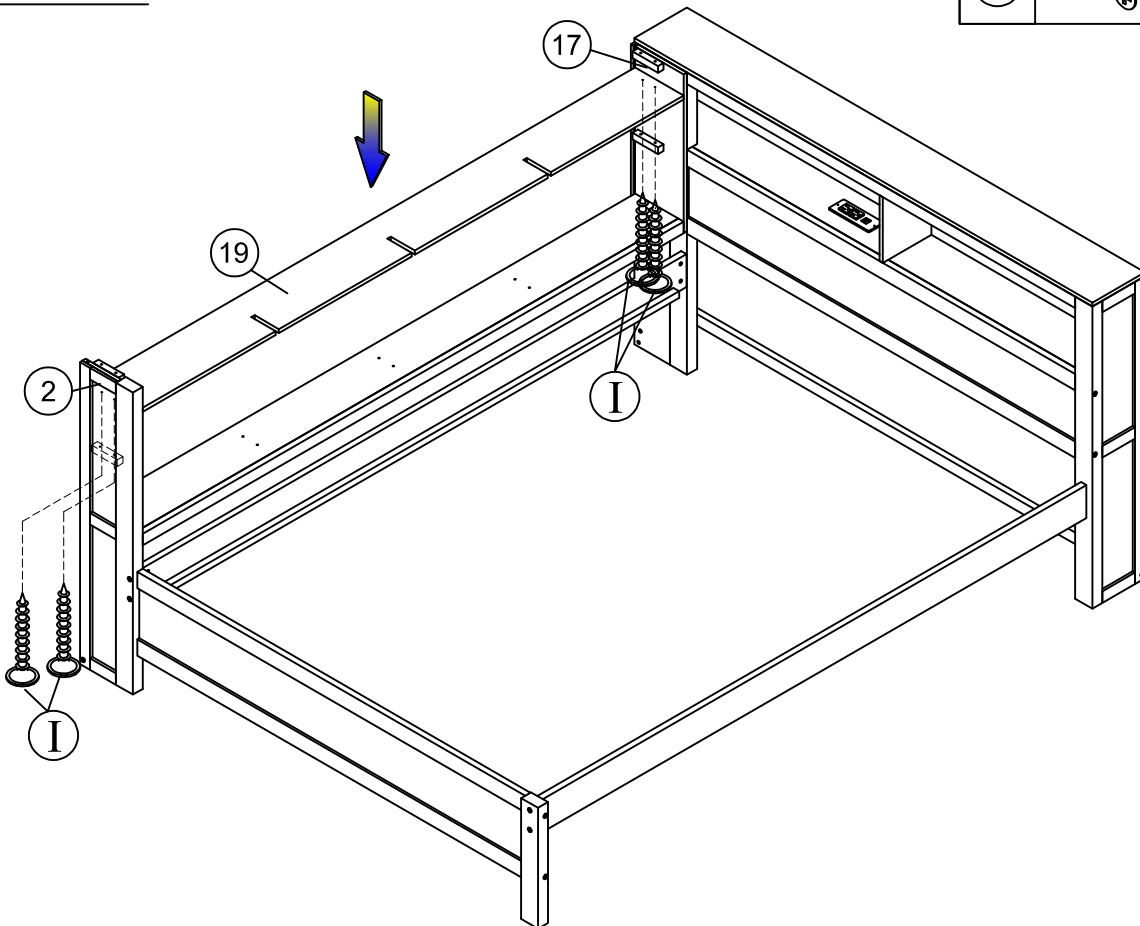
STEP 11:




I		04
S		02
Q		01

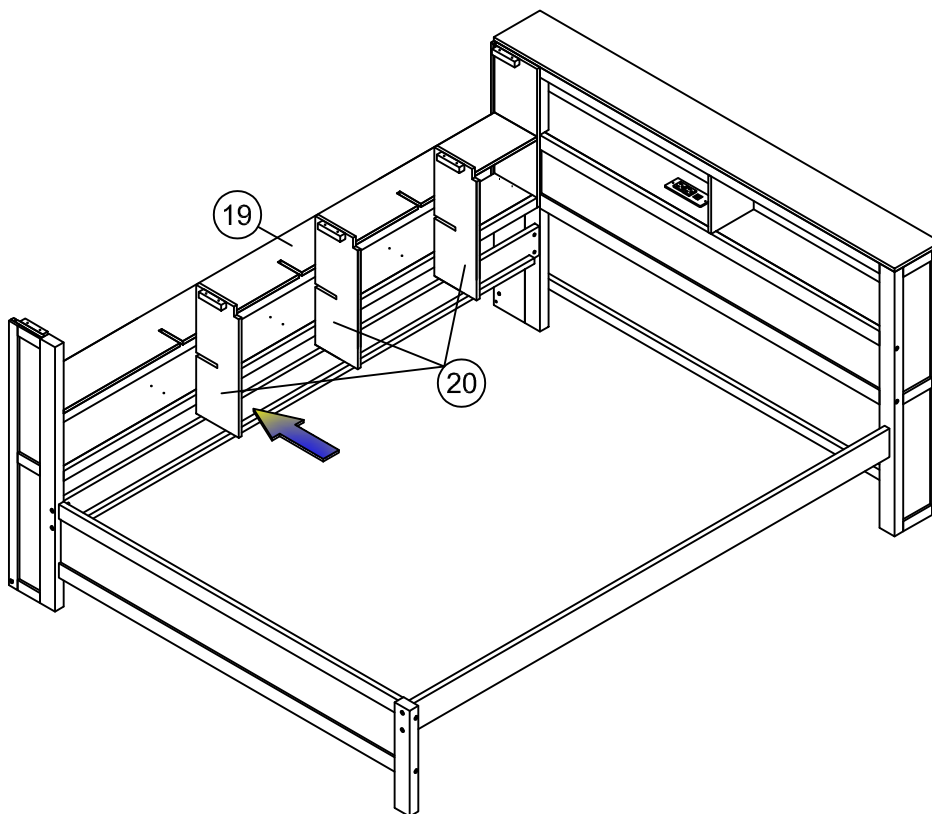


STEP 12:

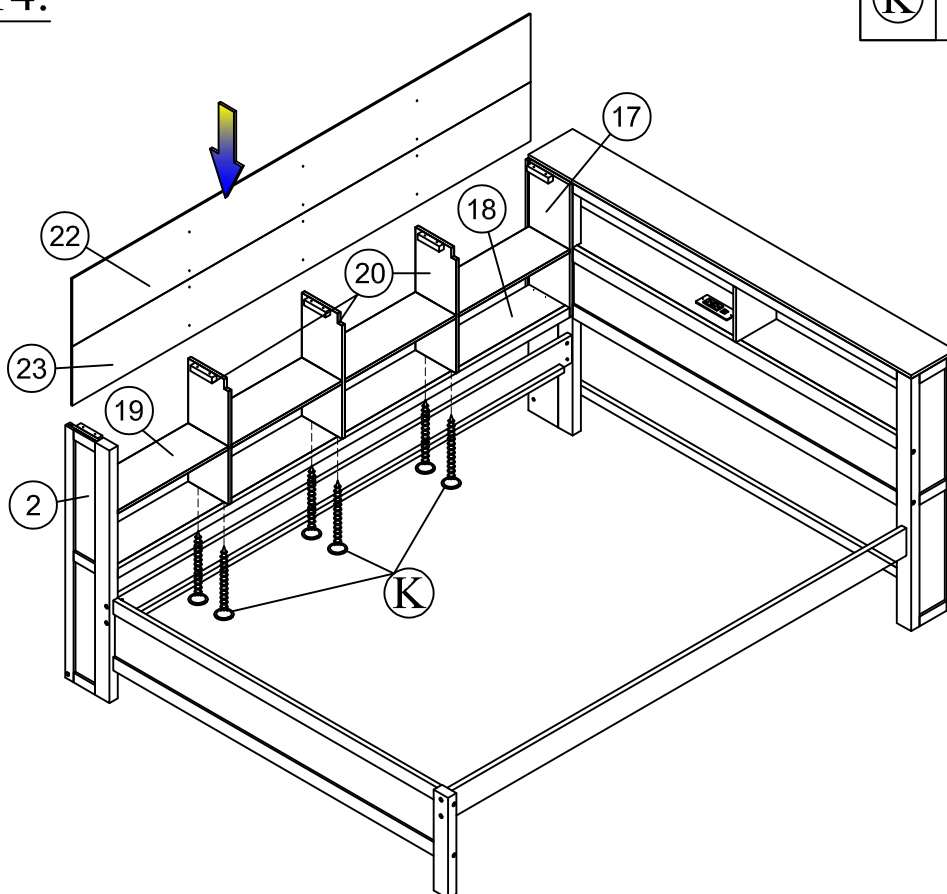
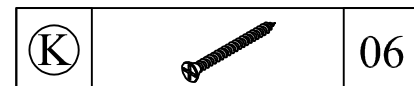


I		04
---	---	----


STEP 13:

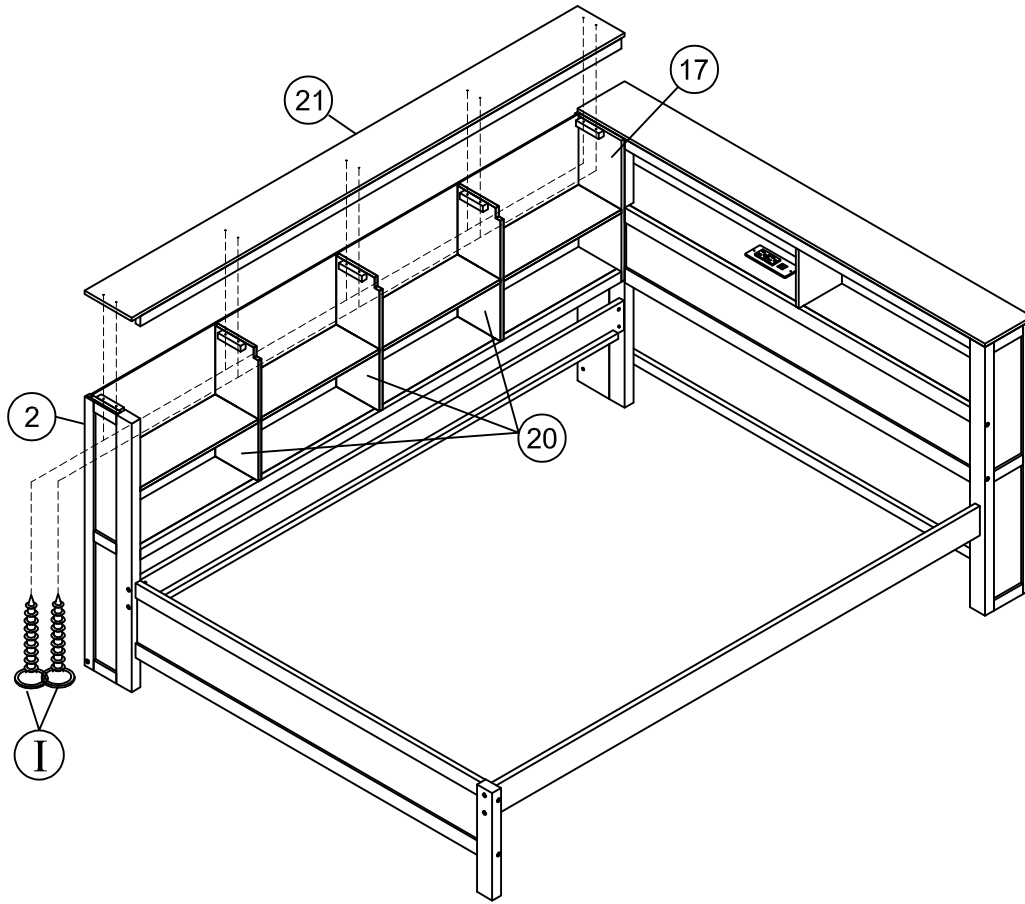


STEP 14:

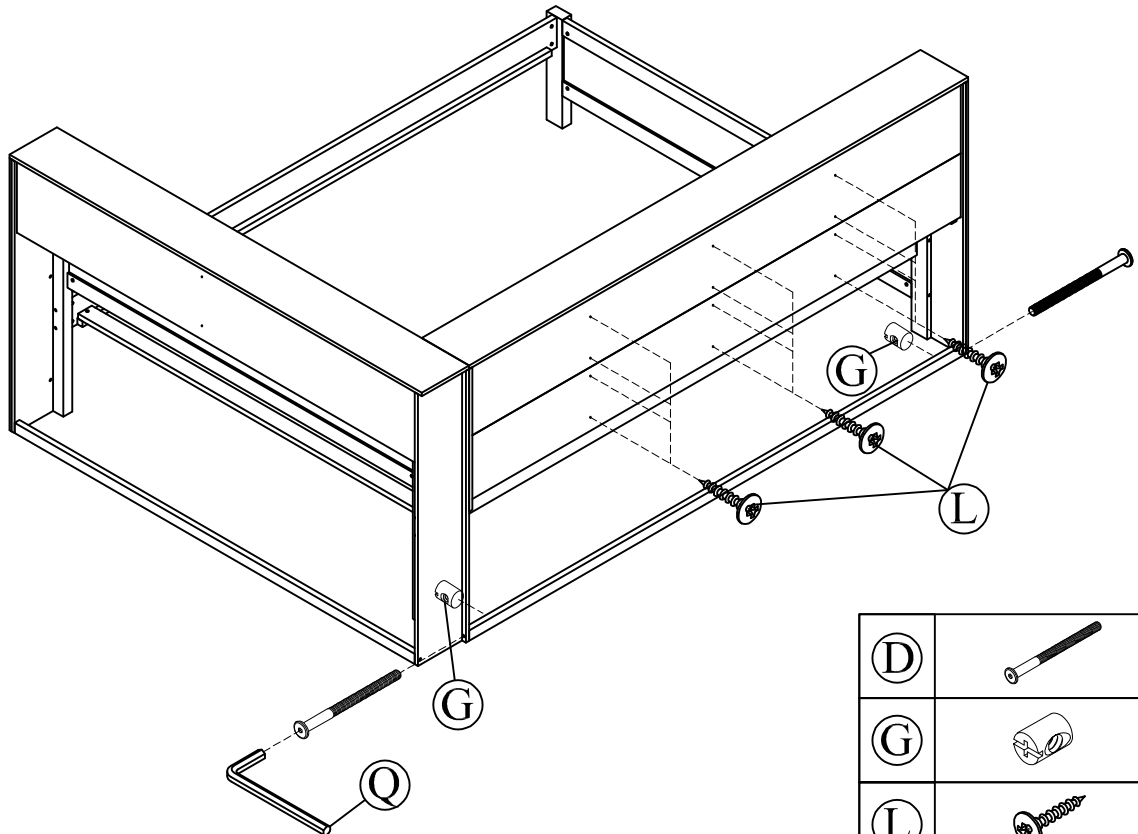






STEP 15:

I		10
---	--	----

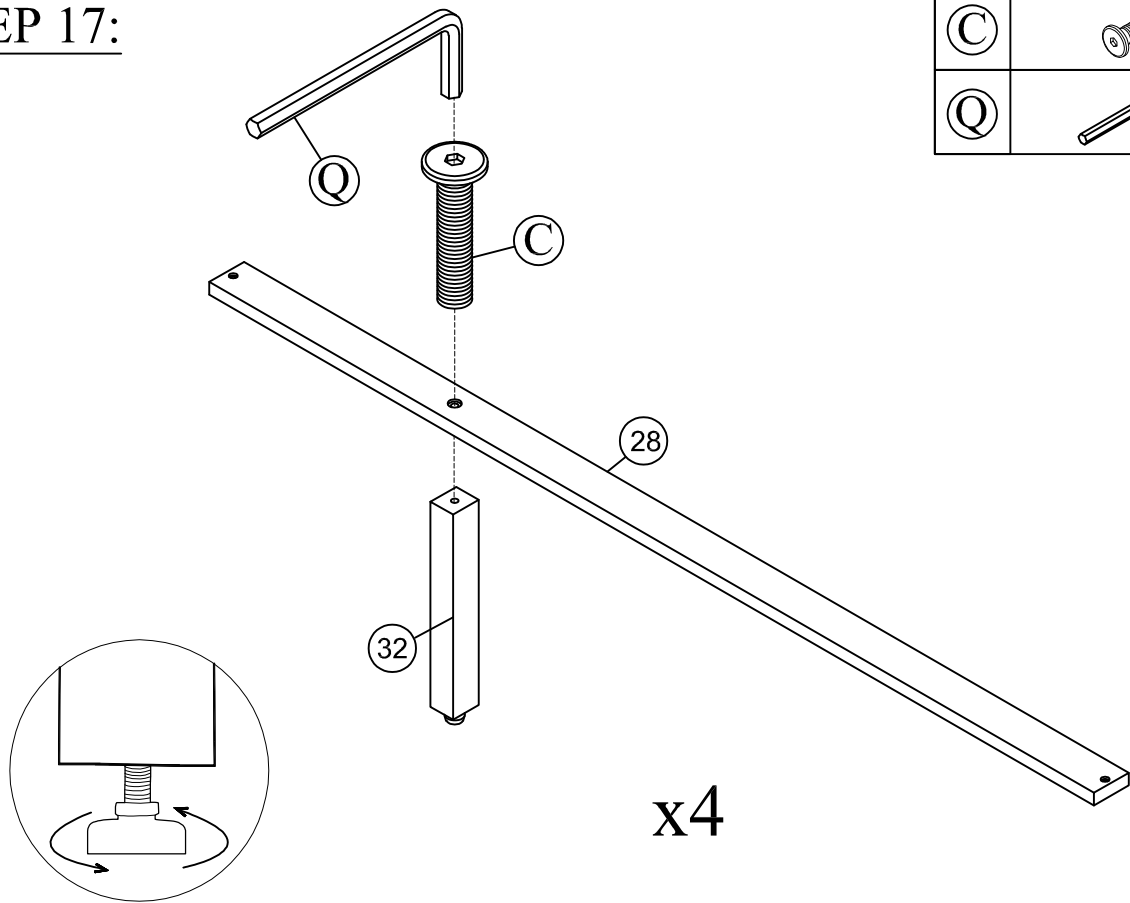


STEP 16:



D		02
G		02
L		12
Q		01

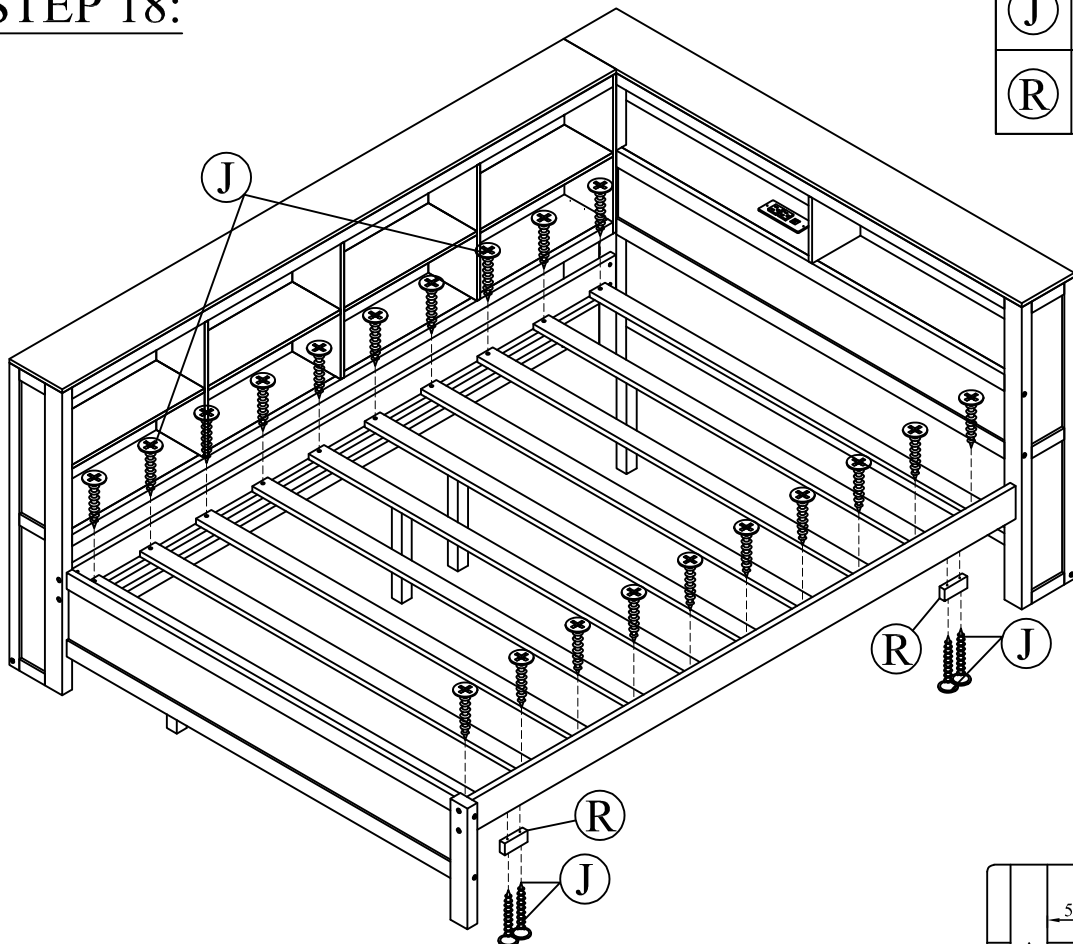
STEP 17:



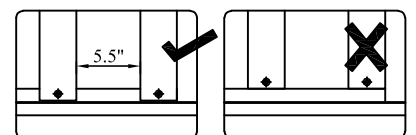
(C)		04
(Q)		01

x4



STEP 18:

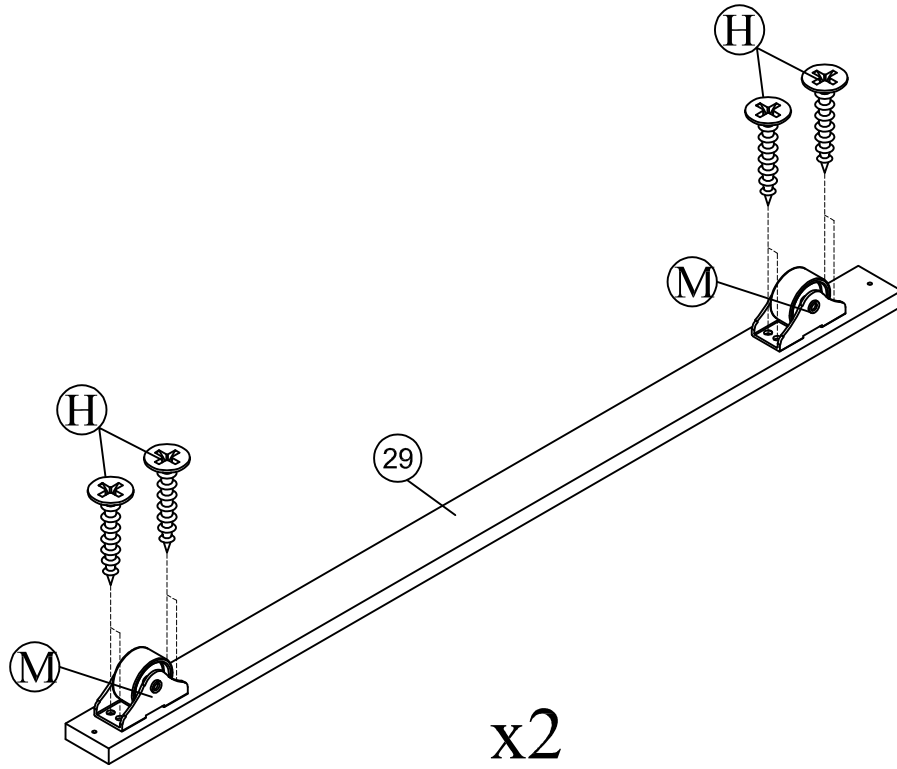


(J)		24
(R)		02




STEP 19:

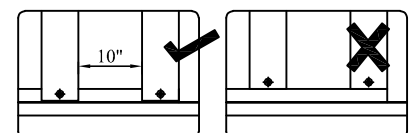
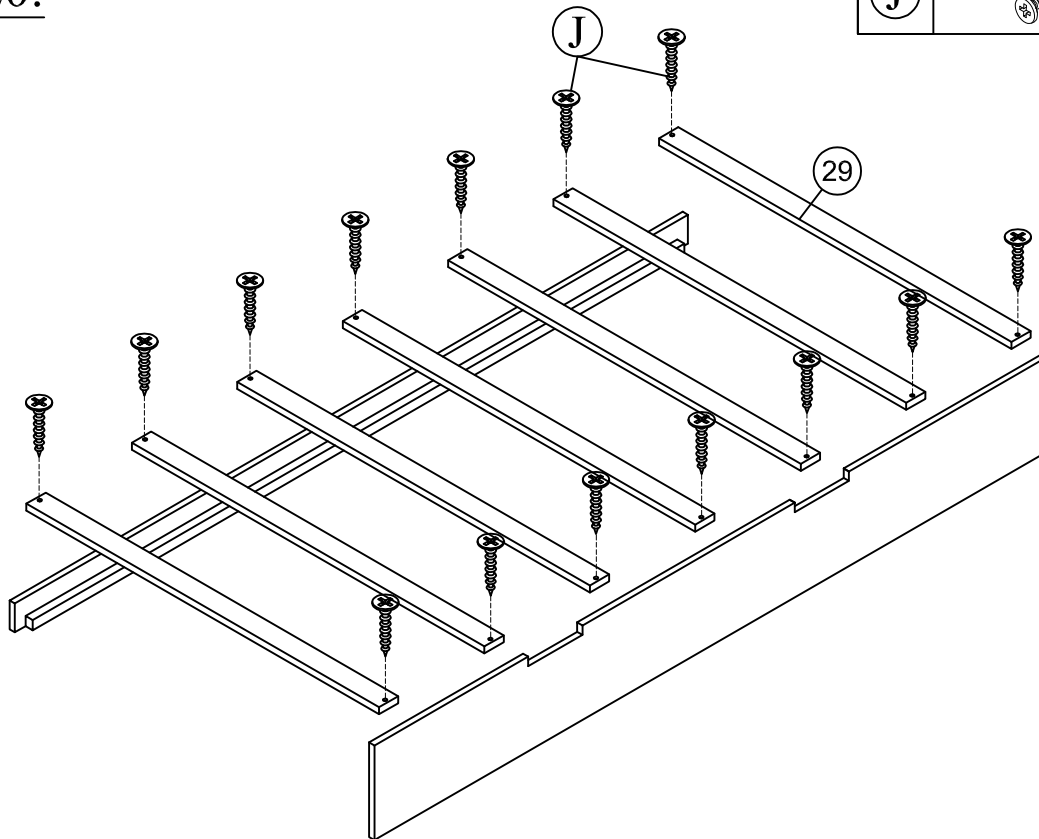
(H)		16
(M)		04




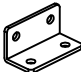

x2

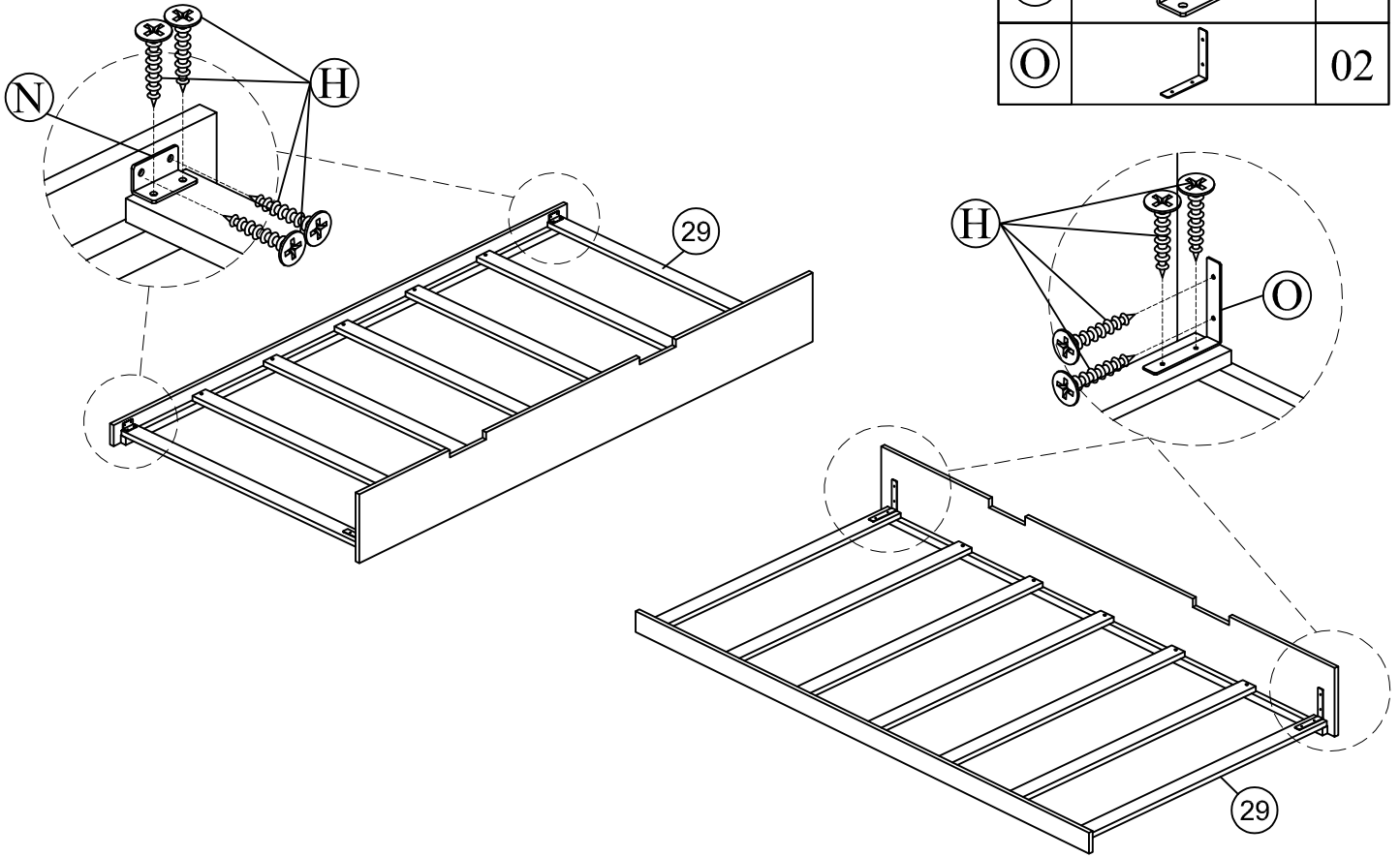
STEP 20:

(J)		14
-----	---	----



STEP 21:

(H)		16
(N)		02
(O)		02



FINAL:

