

PARTS LIST

Left Metal Frame (A)



Qty: 1

Right Metal Frame (B)



Qty: 1

Middle Metal Frame (C)



Qty: 8

Metal Frame (D)



Qty: 1

Metal Frame (E)



Qty: 1

Armrest (F)



Qty: 2

Armrest
Metal Frame (G)



Qty: 4

Long Screws(H)



Qty: 16

Metal Gasket (I)



Qty: 20

Short Screws(J)



Qty: 20

Cushion (K)



Qty: 1

Armrest Cover (L)



Qty: 2

Throw Pillow (M)

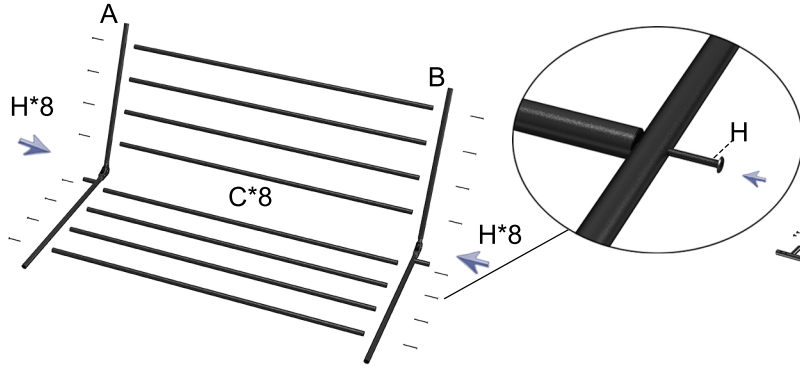


Qty: 2

INSTALLATION PROCEDURE

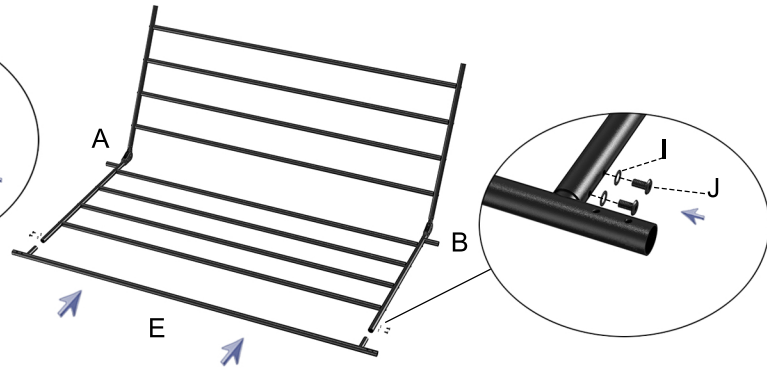
For easier installation, avoid fully tightening the screws until all parts have been assembled. Install gaskets when affixing all short screws(J).

STEP 1



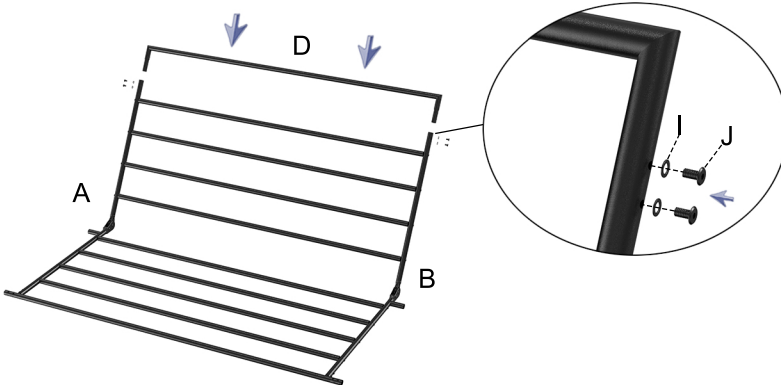
STEP 1: Use long screws connect A B C together

STEP 2



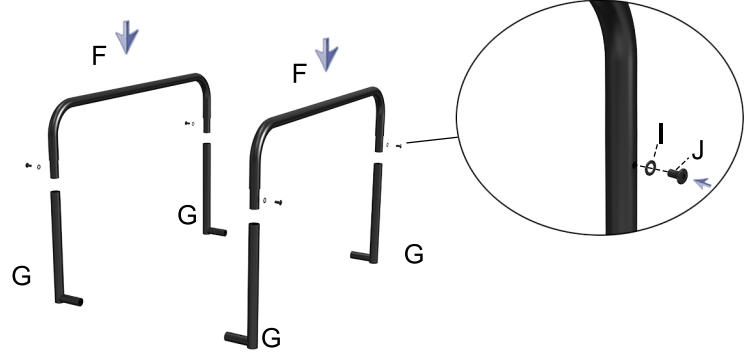
STEP 2: Use short screws and gaskets fasten A and E, B and E

STEP 3



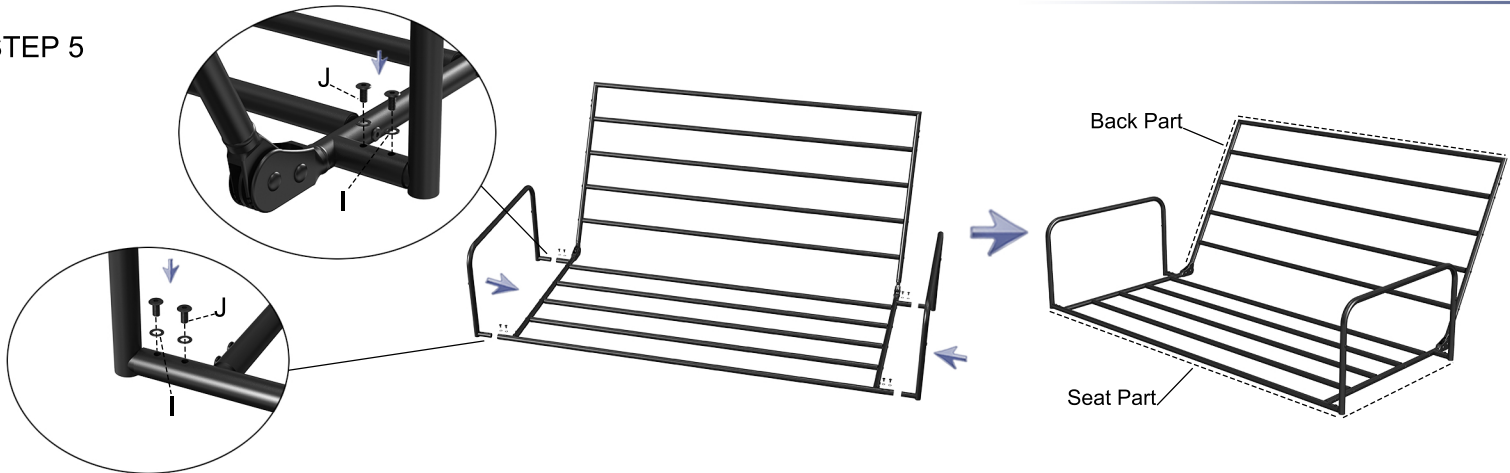
STEP 3: Use short screws and gaskets fasten A and D, B and D

STEP 4



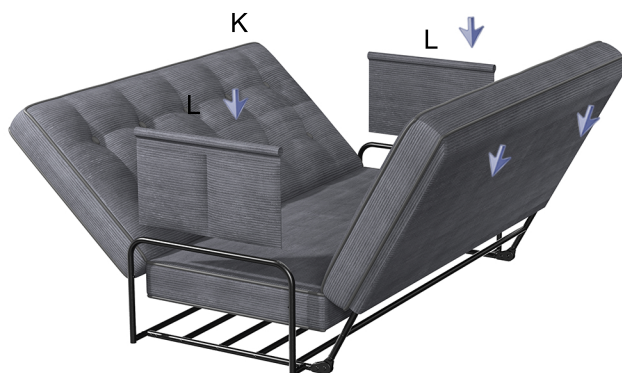
STEP 4: Use short screws and gaskets connect F G together

STEP 5



STEP 5: Use short screws and gaskets fasten armrest metal frame and whole metal frame

STEP 6



STEP 6: Place the back part into the cushion and put L on the armrest