

NOTICE

*Please make sure that you have all parts indicated and they are in good condition before you begin assembly of this item. Refer to part list and hardware list below for guidance.

*This item should be assembled on a soft surface to prevent scratching the finish during assembly.

*This item may require periodic tightening.

*If you are having difficulty, our friendly Customer Care team is always here to help. Please email customersupport@safavieh.com

PREPARATION

*Before beginning assembly of product, make sure all parts are present. Compare parts with part contents list and hardware contents list.

*If any part is missing or damaged, do not attempt to assemble the product.

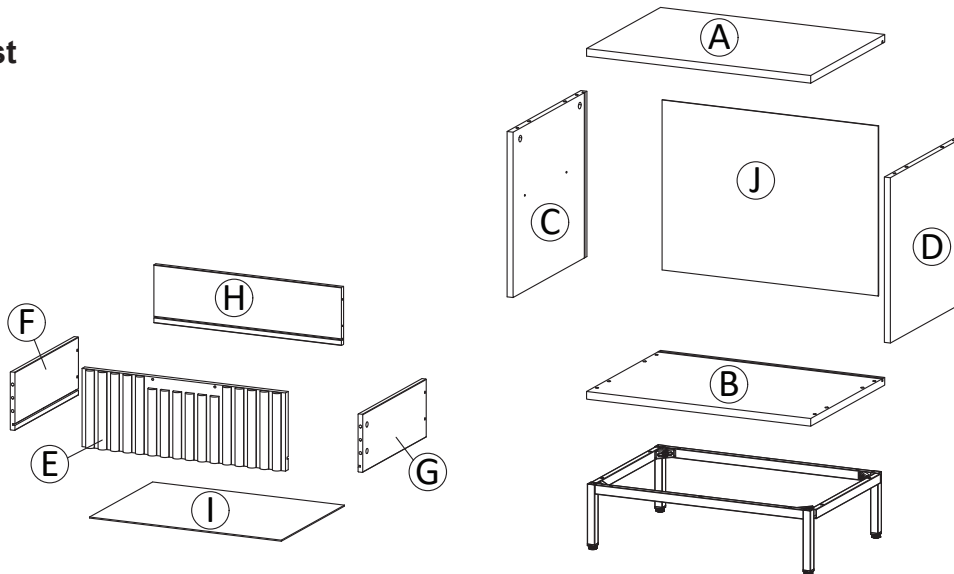
*Estimated Assembly Time: 60 minutes.

*Tools Required for Assembly (included): Allen Key

CARE AND MAINTENANCE

Adhesive felt pads should always be applied to areas of furniture which make direct contact with flooring, said application will prevent damage to the furniture and or surfaces on which the furniture lies. Objects placed on articles of furniture should rest on non abrasive material as to prevent damage to the wood finish. Objects whose composition consists of plastic and rubber are known to discolor and damage the wood surfaces on which they rest. Wipe up spills immediately and avoid common hazards such as hot dishes, harsh solvents and abrasives. Cleaning should be done with a soft lint free cotton cloth dampened with water or furniture polish. On highly used surfaces we recommend applying a quality paste wax which should be used on a regular basis to provide additional protection from scratches and spills. How often you apply the wax depends on how much wear the furniture receives.

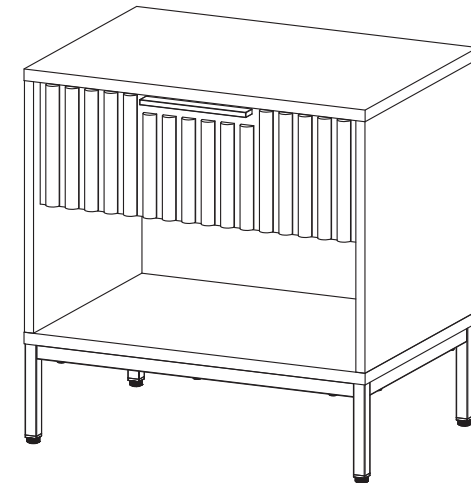
Part List



 **SAFAVIEH**
FURNITURE

Model# NST9617

Product Dimensions: 22.13x"Wx15.67"Dx22.80"H



 **WARNING :**

WEIGHT CAPACITY: 33 LBS.

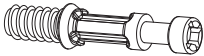



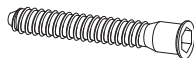


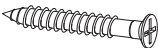


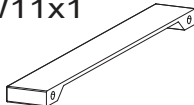

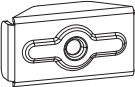
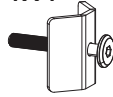






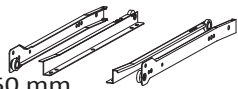
SHELF LOAD CAPACITY: 24 LBS.

DRAWER LOAD CAPACITY: 29 LBS.

Warning : Do not stand on night stand.

Warning : Do not over torque bolts.

Hardware List

<p>HW1x8</p>  <p>Ø 6 x 35 mm</p>	<p>HW2x4</p>  <p>Ø 15 mm</p>	<p>HW3x8</p>  <p>Ø 8 x 30 mm</p>	<p>HW4x2</p>  <p>Ø 6 x 30 mm</p>	<p>HW5x4</p>  <p>M 7 x 50 mm</p>	<p>HW6x2</p>  <p>L 4</p>
<p>HW7x4</p>  <p>Ø 12 mm</p>	<p>HW8x4</p>  <p>M 8 x 39 mm</p>	<p>HW9x4</p>  <p>M 6 x 10.5 mm</p>	<p>HW10x6</p>  <p>M 3.5 x 13 mm</p>	<p>HW11x1</p> 	<p>HW12x2</p>  <p>M 4 x 22 mm</p>
<p>HW13x4</p> 	<p>HW14x4</p> 	<p>HW15x2</p> 	<p>HW16x2</p> 	<p>HW17x4</p> 	<p>HW18x10</p>  <p>M 6.4 x 35 mm</p>
<p>HW19x10</p> 	<p>HW20x10</p>  <p>M 3.5 x 15.5 mm</p>	<p>HW RM35Ax1</p>  <p>350 mm</p>			

Part List & HW For Multi-Box Items

Piece	Description	Qty
A	Top Board	1
B	Bottom Board	1
C	Side Board Left	1
D	Side Board Right	1
E	Front Drawer	1
F	Side Drawer Left	1
G	Side Drawer Right	1
H	Back Drawer	1
I	Bottom Drawer	1
J	Back Board	1

Piece	Description	Qty
HW1	Cambolt	8
HW2	CamLock Big	4
HW3	Dowel Big	8
HW4	Dowel Small	2
HW5	Screw M 7 x 50 mm	4
HW6	Allen Key	2
HW7	CamLock Small	4
HW8	Screw M 8 x 39 mm	4
HW9	Screw M 6 x 10.5 mm	4
HW10	Screw M 3.5 x 13 mm	6
HW11	Handle	1
HW12	Screw M 4 x 22 mm	2
HW13	Corner Brace	4
HW14	Support Corner Brace&Screw M 6 x 35 mm	4
HW15	Support Metal Leg 1	2
HW16	Support Metal Leg 2	2
HW17	Metal Square Leg	4
HW18	Screw M 6.4 x 35 mm	10
HW19	Wedge	10
HW20	Screw M 3.5 x 15.5 mm	10
HW RM35A	Drawer Runner	1

PREPARATION

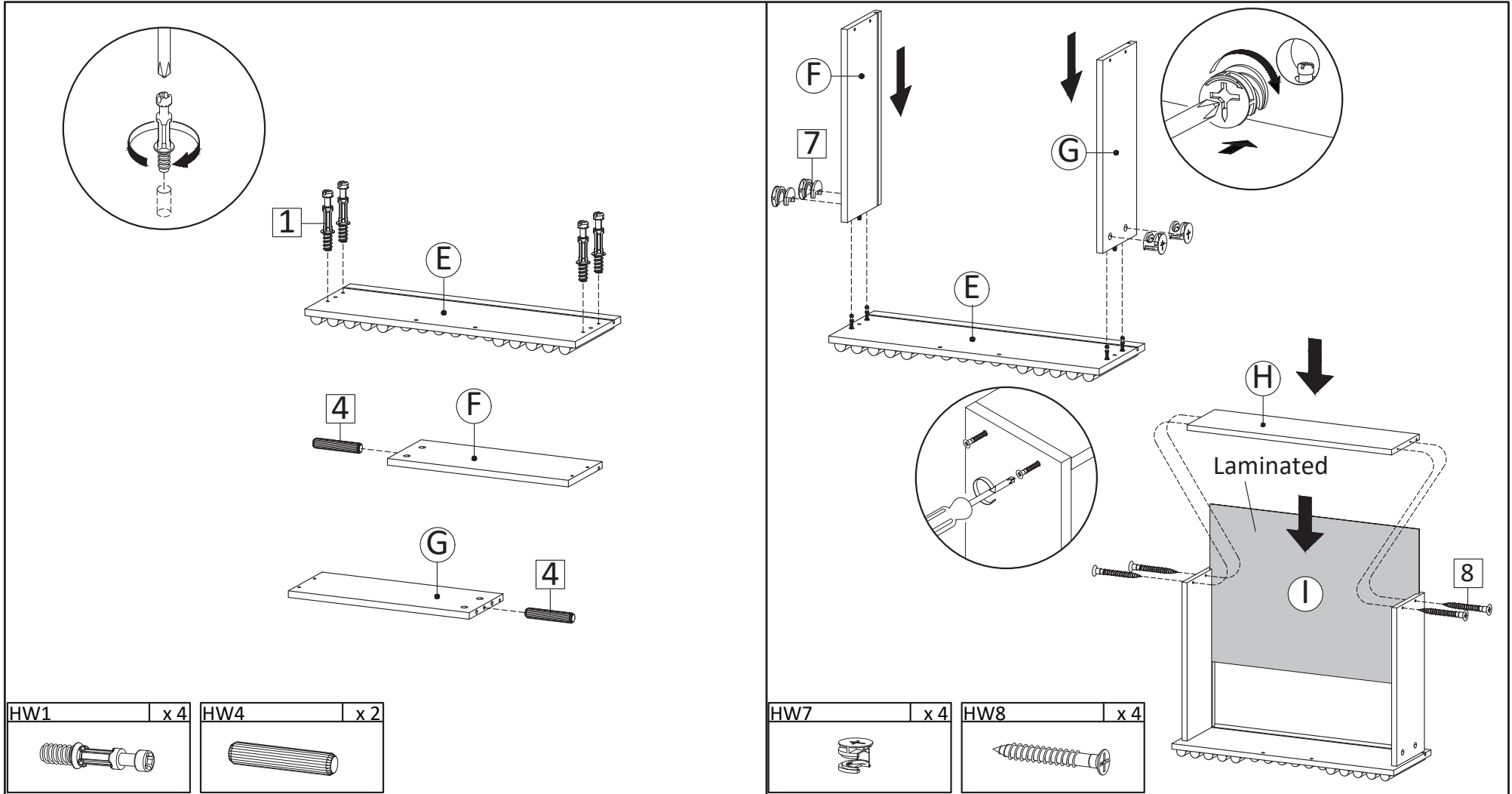
*Before beginning assembly of product, make sure all parts are present. Compare parts with part contents list and hardware contents list.

*If any part is missing or damaged, do not attempt to assemble the product.

*Estimated Assembly Time: 60 minutes.

*Tools Required for Assembly (included): Allen Key

*If you are having difficulty, our friendly Customer Care team is always here to help. Please email customersupport@safavieh.com



STEP1: Insert Cambolt (HW1) into Front Drawer (E), tighten it using screwdriver. Insert small Dowel (HW4) into the Side Drawer Left (F) and Side Drawer Right (G).

STEP2: Attach the Side Drawer Left (F) and Side Drawer Right (G) into the Front Drawer (E). Secure them with small Camlock (HW7), then tighten using screwdriver. Insert the Bottom Drawer (I) into the Front Drawer with the laminated side facing upward. Attach the Back drawer (H), secure with M4 x 39 mm screws (HW8), then tighten using screwdriver.

PREPARATION

- *Before beginning assembly of product, make sure all parts are present. Compare parts with part contents list and hardware contents list.
- *If any part is missing or damaged, do not attempt to assemble the product.
- *Estimated Assembly Time: 60 minutes.
- *Tools Required for Assembly (included): Allen Key
- *If you are having difficulty, our friendly Customer Care team is always here to help. Please email customersupport@safavieh.com

HW10	x 6	HW11	x 1	HW12	x 2	HW RM35A	x 1

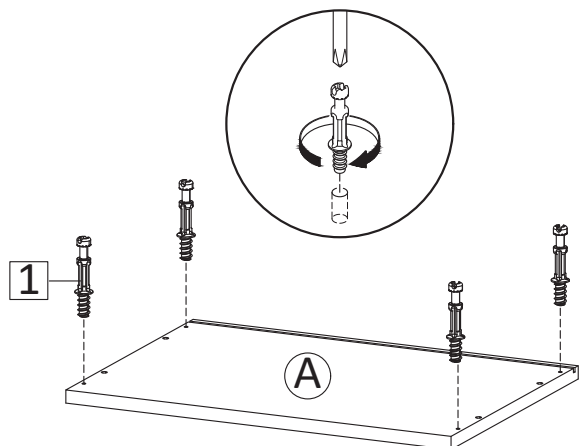
STEP3: Install the Handle (HW11) into the Front Drawer and secure with Screw M4 x 22 mm (HW12), then tighten using screwdriver. Install the Drawer Runner (HW RM35A) into position as shown in the picture. Secure with screws M3.5 x 13 mm (HW10), then tighten using screwdriver.

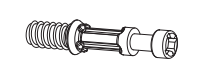
HW19	x 4	HW20	x 4

STEP4: Insert the Screw M3.5x15.5mm (HW20) and wedge (HW19) into the bottom of the drawer according to the picture.

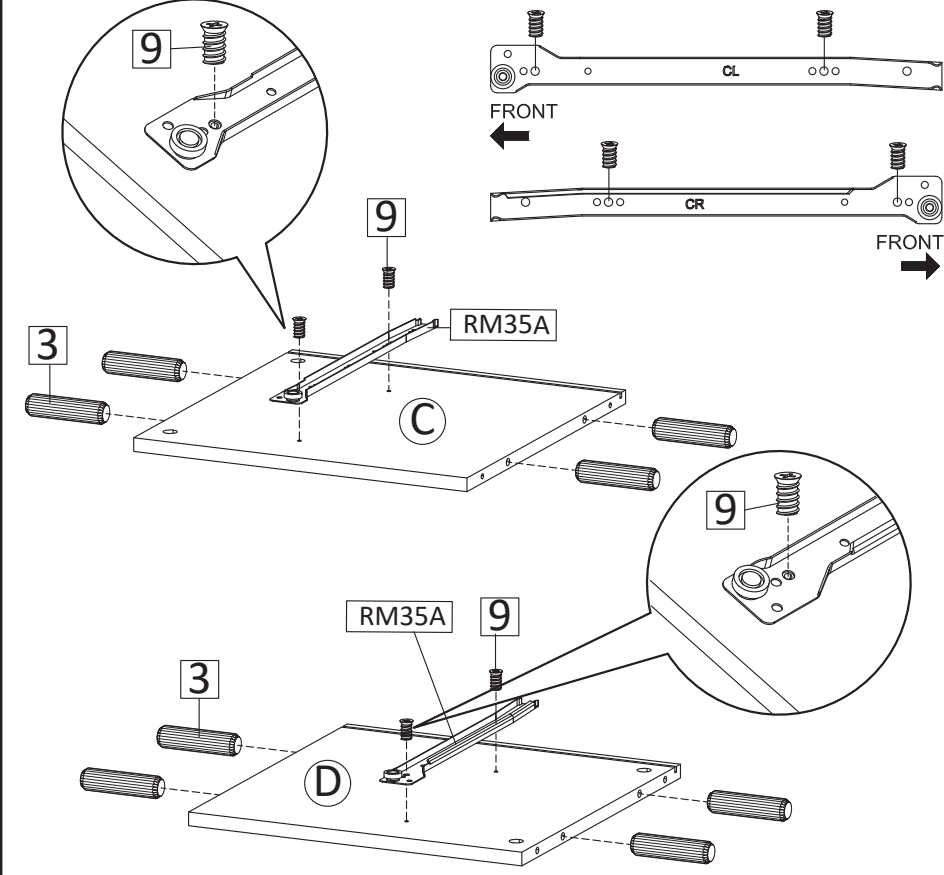
PREPARATION




- *Before beginning assembly of product, make sure all parts are present. Compare parts with part contents list and hardware contents list.
- *If any part is missing or damaged, do not attempt to assemble the product.
- *Estimated Assembly Time: 60 minutes.
- *Tools Required for Assembly (included): Allen Key
- *If you are having difficulty, our friendly Customer Care team is always here to help. Please email customersupport@safavieh.com



HW1	x 4
	

STEP5: Insert Cambolt (HW1) into Top Board (A), then tighten using screwdriver.

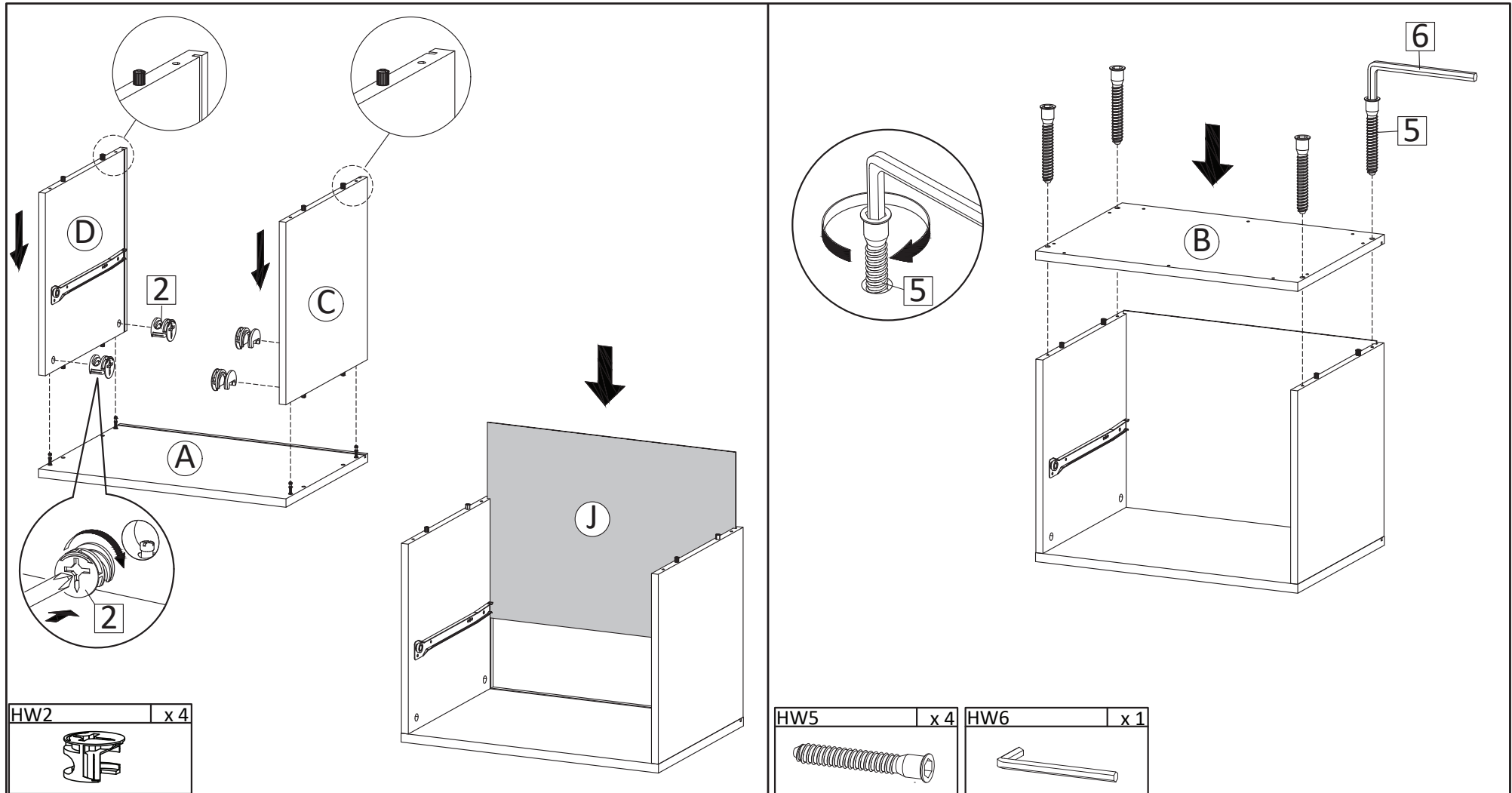


HW3	x 8	HW9	x 4	HW RM35A	x 1
					

STEP6: Place the Drawer Runner (HW RM35A) to the holes on the Left Side Board (C) and Right Side Board (D) position as shown in the picture above. Secure with screws M6 x 10.5 mm (HW9), then tighten using screwdriver. Insert Big Dowel (HW3) into the Side Board Left (C) and Side Board Right (D).

PREPARATION

- *Before beginning assembly of product, make sure all parts are present. Compare parts with part contents list and hardware contents list.
- *If any part is missing or damaged, do not attempt to assemble the product.
- *Estimated Assembly Time: 60 minutes.
- *Tools Required for Assembly (included): Allen Key
- *If you are having difficulty, our friendly Customer Care team is always here to help. Please email customersupport@safavieh.com

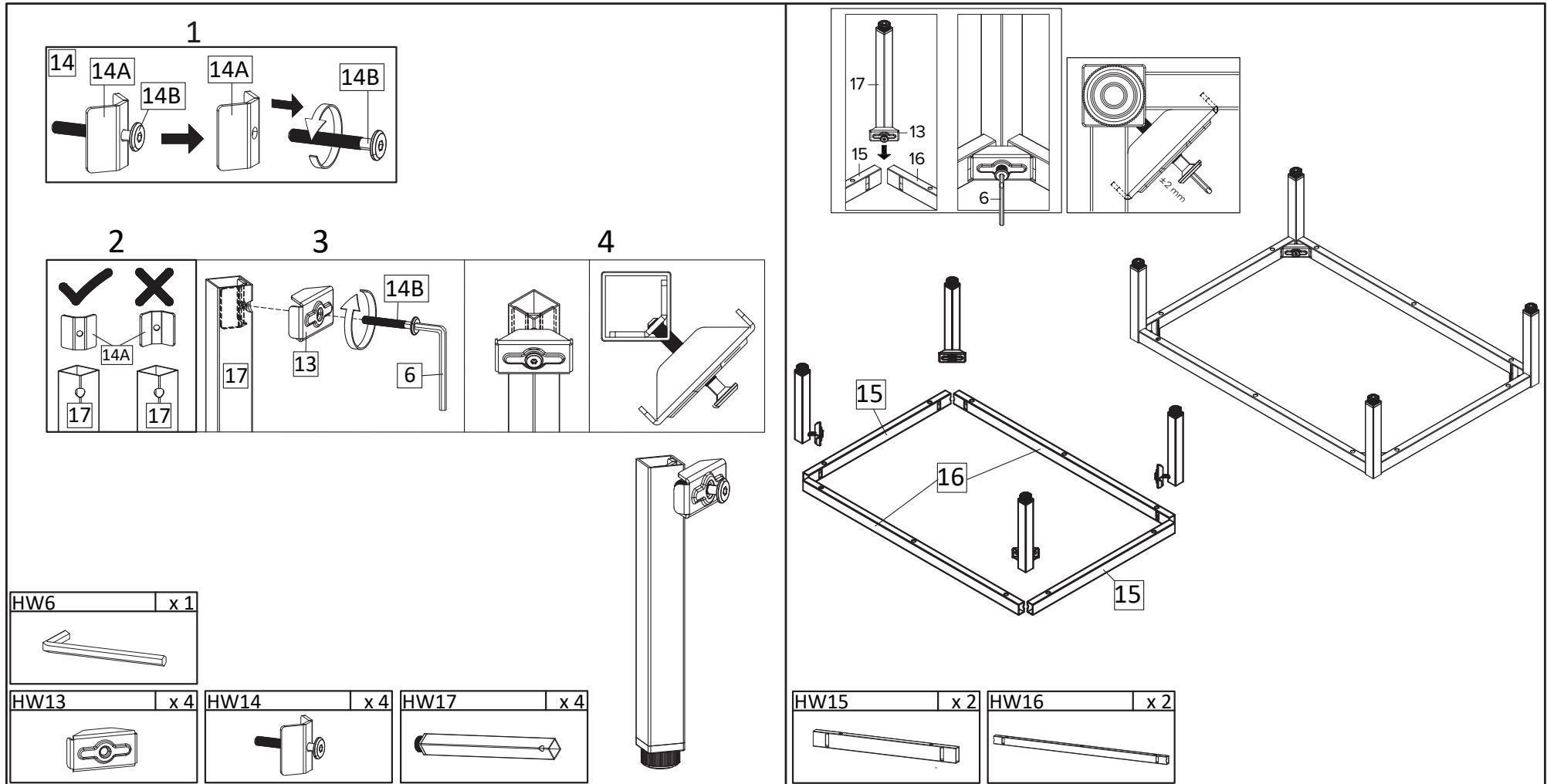


STEP7: Attach Side Board Left (C) and Side Board Right (D) into Top Board (A). Secure with Camlock Big (HW2) and tighten it using screwdriver. Insert Back Board (J) into Top Board.

STEP8: Insert Bottom Board (B), secure with Screw M7x50mm (HW5), tighten screws using Allen Key (HW6).

PREPARATION

- *Before beginning assembly of product, make sure all parts are present. Compare parts with part contents list and hardware contents list.
- *If any part is missing or damaged, do not attempt to assemble the product.
- *Estimated Assembly Time: 60 minutes.
- *Tools Required for Assembly (included): Allen Key
- *If you are having difficulty, our friendly Customer Care team is always here to help. Please email customersupport@safavieh.com

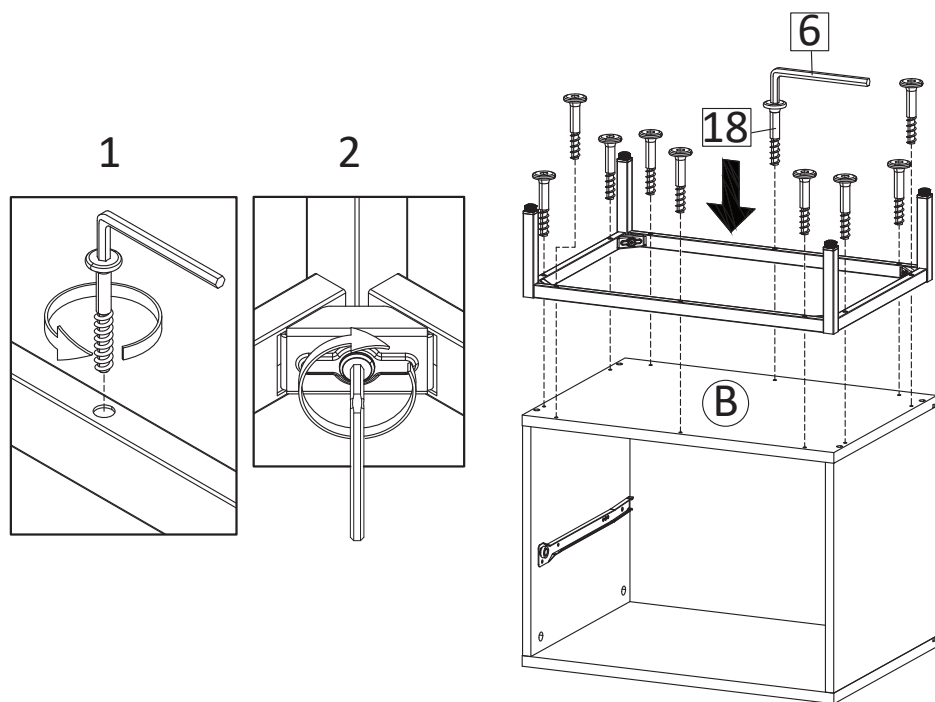


STEP9: First, remove the M6 x 35 mm screw (HW14B) from the Support Corner Brace (HW14A). Second, insert the Support Corner Brace (HW14A) into the Leg (HW17), ensuring that the hole in the Support Corner Brace aligns with the hole in the Leg. Third, insert the M6 x 35 mm screw (HW14B) into the hole in the Corner Brace (HW13), and insert it into the hole in the Leg, then tighten it slightly.

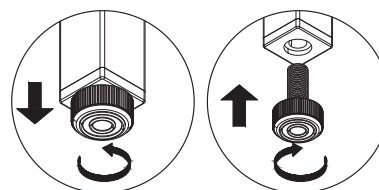
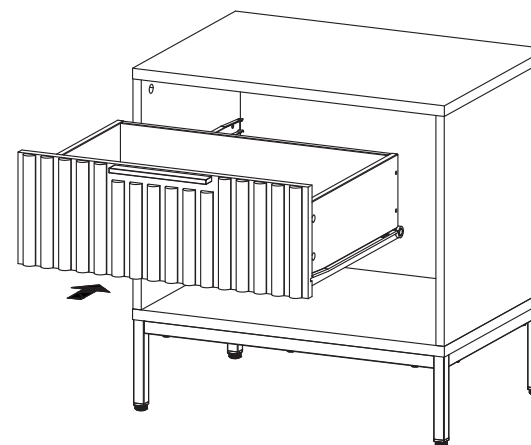
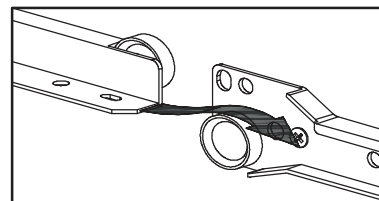
STEP10: Place Support Metal Leg 1 (HW15) and Support Metal Leg 2 (HW16) on the floor as shown in the image. Then, install the prepared leg (HW17). Ensure that the Corner Brace (HW13) hooks into the holes of Support Metal Leg 1 (HW15) and Support Metal Leg 2 (HW16). Use the Allen Key (HW6) to slightly tighten the screws, just enough to hold the Support Metal Legs in place. Do not fully tighten them. Repeat this process for the remaining legs.

PREPARATION

- *Before beginning assembly of product, make sure all parts are present. Compare parts with part contents list and hardware contents list.
- *If any part is missing or damaged, do not attempt to assemble the product.
- *Estimated Assembly Time: 60 minutes.
- *Tools Required for Assembly (included): Allen Key
- *If you are having difficulty, our friendly Customer Care team is always here to help. Please email customersupport@safavieh.com



HW6	x 1	HW18	x 10

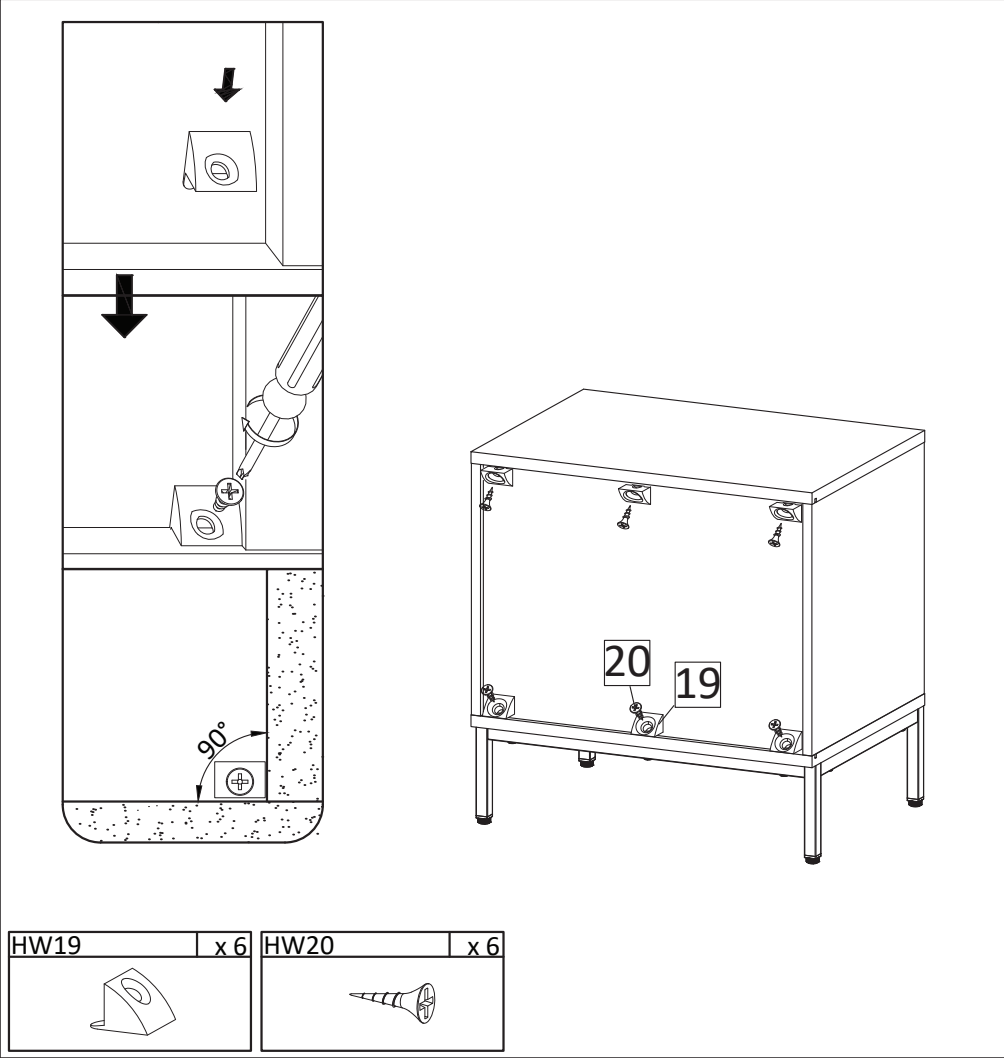









STEP11: Install the assembled leg unit from Step 10 onto the Bottom Board (B) by inserting screw M6.4x35mm (HW18). Then, tighten all the screws on all corner braces (HW13), the screws on support metal leg 1 (HW15), and the screws on support metal leg 2 (HW16) using an Allen key (HW6).

STEP12: Hold the sides of the drawer and position the rail wheels, one the back of drawer and the others on the side boards according to the image. Slide the drawer one by one into the nightstand. Place your furniture on a level floor. The legs come with adjustable levelers, adjust them as needed until the furniture sits steadily on the floor.

PREPARATION

- *Before beginning assembly of product, make sure all parts are present. Compare parts with part contents list and hardware contents list.
- *If any part is missing or damaged, do not attempt to assemble the product.
- *Estimated Assembly Time: 60 minutes.
- *Tools Required for Assembly (included): Allen Key
- *If you are having difficulty, our friendly Customer Care team is always here to help. Please email customersupport@safavieh.com

 <table border="1" data-bbox="114 1212 616 1342"><tr><td>HW19</td><td>x 6</td><td>HW20</td><td>x 6</td></tr><tr><td></td><td></td><td></td><td></td></tr></table>	HW19	x 6	HW20	x 6					
HW19	x 6	HW20	x 6						
									
<p>STEP13: Use Wedge (HW19), Screw M3.5x15.5mm (HW20) to tighten the back of night stand by using screwdriver. Please align the top board and bottom board in 90° position against the side board, before securing the wedges (HW19)</p>	<p>STEP14: Assembly Complete.</p>								

TIPPING RESTRAINTS KIT INSTALLATION GUIDANCE

Different wall materials require unique wall fasteners.

The wall plugs (AA2) and screws (AA3) are designed for fixing to concrete walls only.

Please consult your local hardware store to ensure you are using the correct hardware for your wall type.

