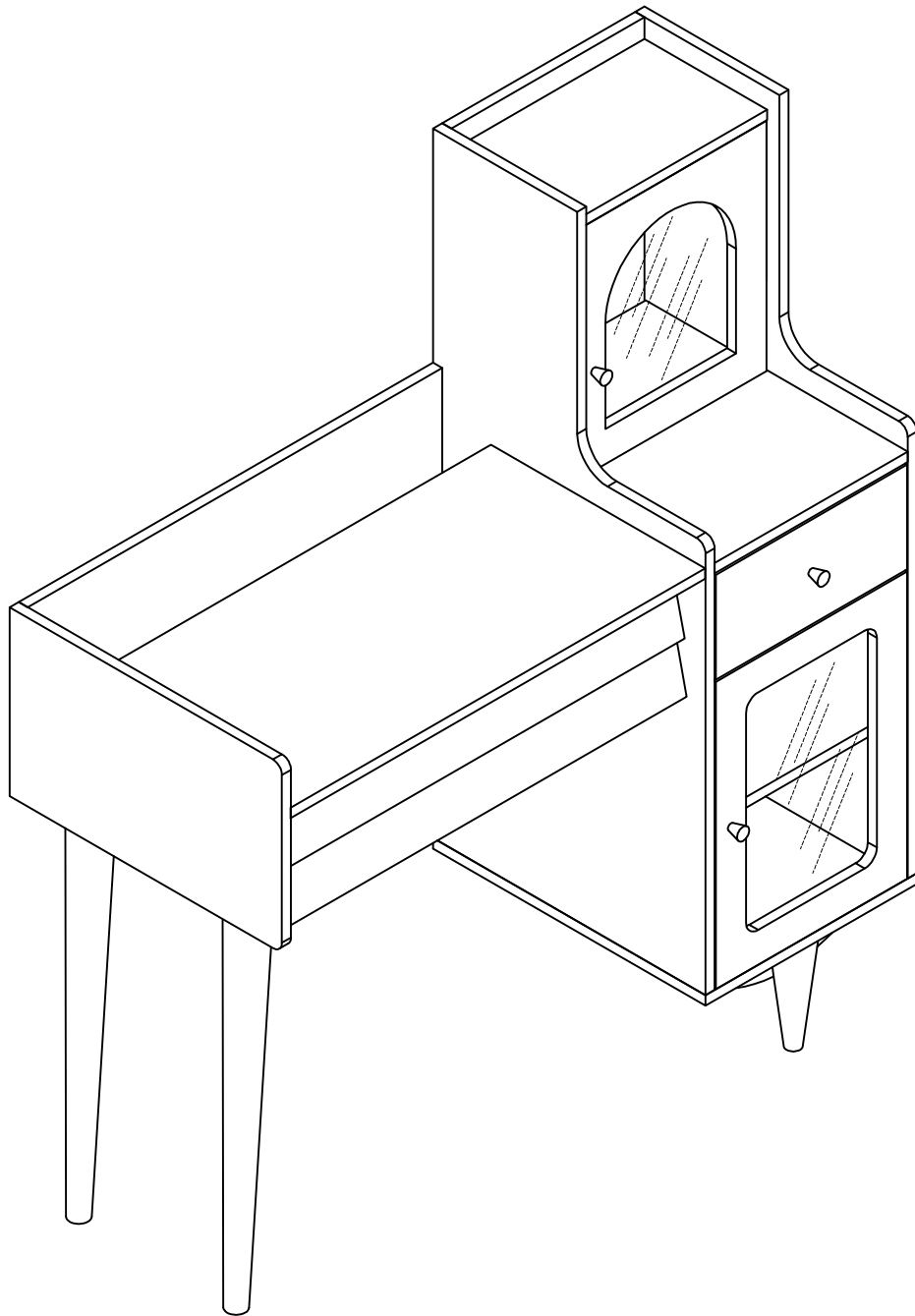
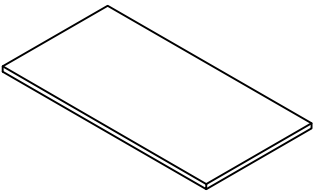
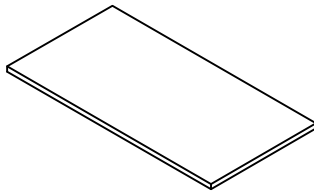
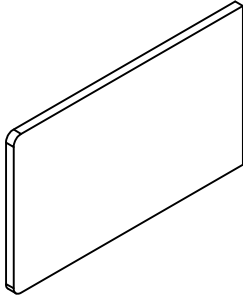
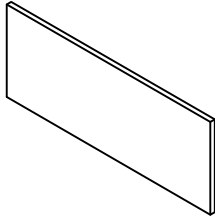
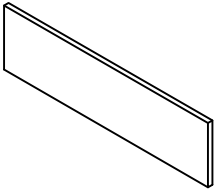
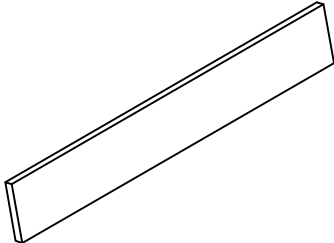
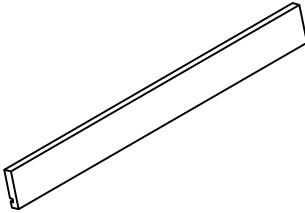
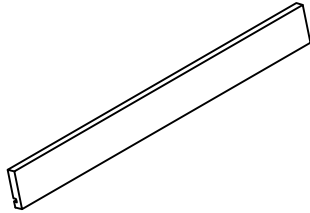
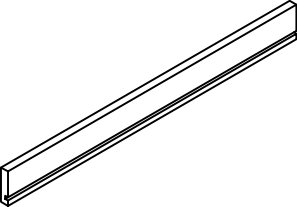
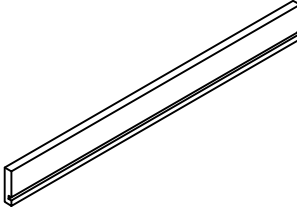
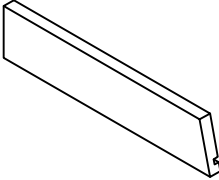
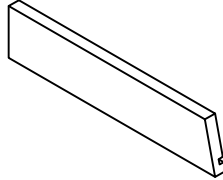
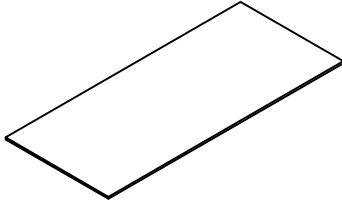
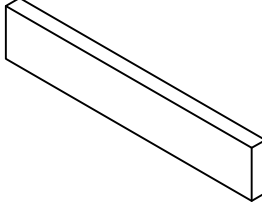
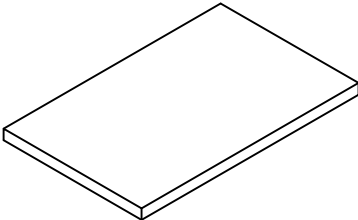
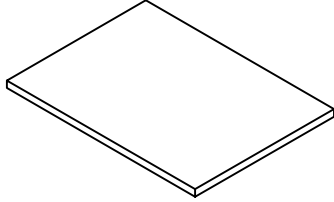
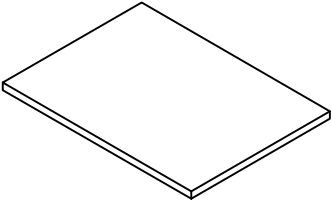
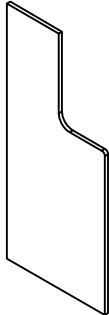




Assembly Guide of Dressing Table

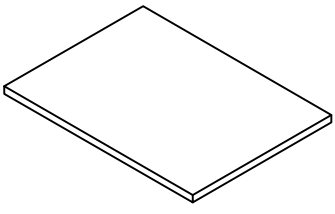
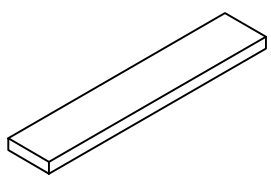
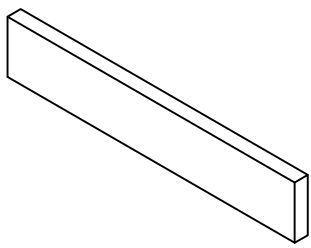
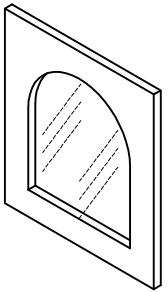
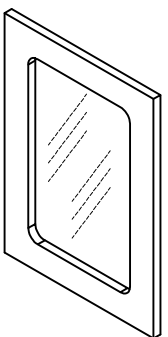
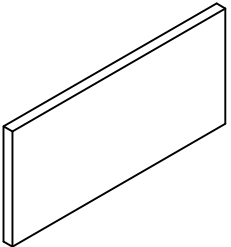
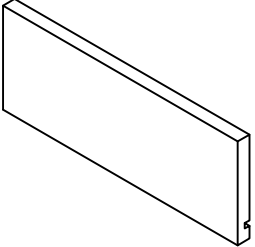
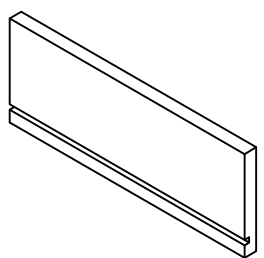
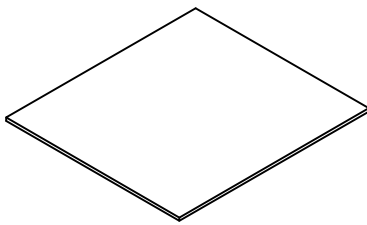
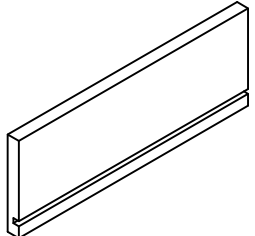
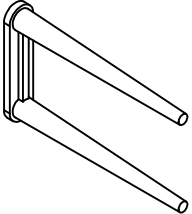
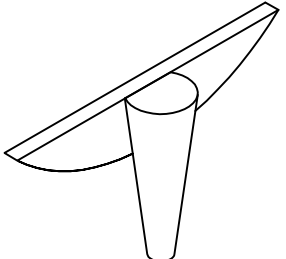


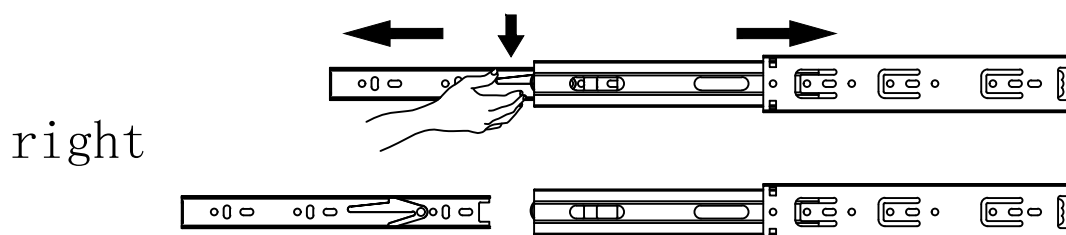
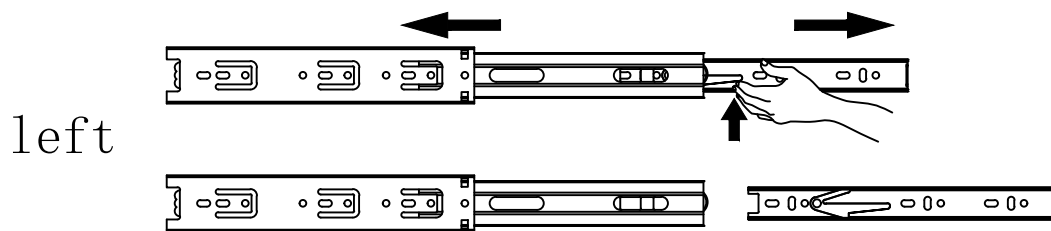
Tips: Do not throw away packing materials until assembly is complete for small parts may come loose inside the carton during shipment. If parts are missing, please contact us. Assemble this item on a soft surface, such as carpet to protect the finish.

PARTS LIST

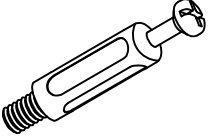



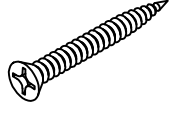
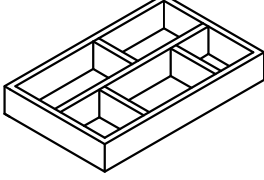
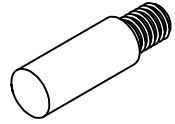
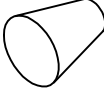

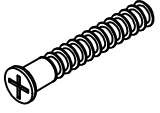
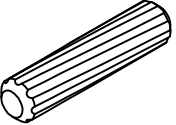
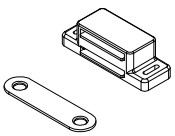

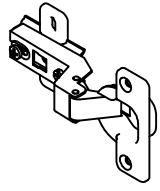
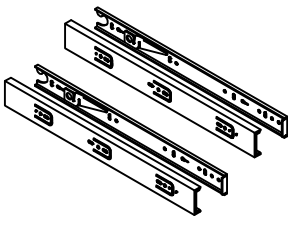
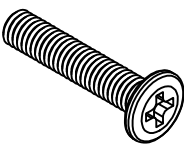
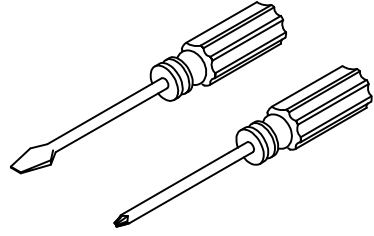
<p style="text-align: center;">①</p> 	<p style="text-align: center;">②</p> 	<p style="text-align: center;">③</p> 	<p style="text-align: center;">④</p> 
<p style="text-align: center;">left top panel=1</p>	<p style="text-align: center;">left bottom panel=1</p>	<p style="text-align: center;">small side panel=1</p>	<p style="text-align: center;">left big back panel=1</p>
<p style="text-align: center;">⑤</p> 	<p style="text-align: center;">⑥</p> 	<p style="text-align: center;">⑦</p> 	<p style="text-align: center;">⑧</p> 
<p style="text-align: center;">left small back panel=1</p>	<p style="text-align: center;">long drawer panel=2</p>	<p style="text-align: center;">long upper drawer front panel=1</p>	<p style="text-align: center;">long lower drawer front panel=1</p>
<p style="text-align: center;">⑨</p> 	<p style="text-align: center;">⑩</p> 	<p style="text-align: center;">⑪</p> 	<p style="text-align: center;">⑫</p> 
<p style="text-align: center;">long upper drawer back panel=1</p>	<p style="text-align: center;">long lower drawer back panel=1</p>	<p style="text-align: center;">long drawer left side panel=2</p>	<p style="text-align: center;">long drawer right side panel=2</p>
<p style="text-align: center;">⑬</p> 	<p style="text-align: center;">⑭</p> 	<p style="text-align: center;">⑮</p> 	<p style="text-align: center;">⑯</p> 
<p style="text-align: center;">long drawer bottom panel=2</p>	<p style="text-align: center;">long drawer middle side panel=2</p>	<p style="text-align: center;">right cabinet top panel=1</p>	<p style="text-align: center;">right cabinet panel=1</p>
<p style="text-align: center;">⑰</p> 	<p style="text-align: center;">⑱</p> 	<p style="text-align: center;">⑲</p> 	<p style="text-align: center;">⑳</p> 
<p style="text-align: center;">right cabinet bottom panel=1</p>	<p style="text-align: center;">right cabinet left side panel=1</p>	<p style="text-align: center;">right cabinet right side panel=1</p>	<p style="text-align: center;">right cabinet back panel=1</p>

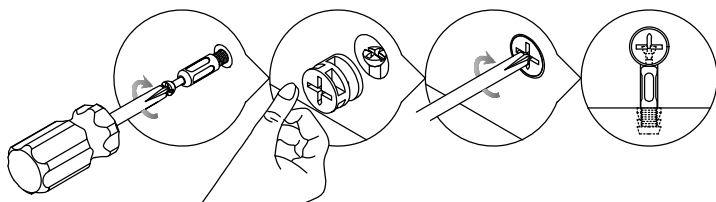
PARTS LIST

<p>21</p> 	<p>22</p> 	<p>23</p> 	<p>24</p> 
<p>right cabinet laminate=1</p>	<p>right cabinet zipper=1</p>	<p>right cabinet bottom zipper=1</p>	<p>right cabinet upper door=1</p>
<p>25</p> 	<p>26</p> 	<p>27</p> 	<p>28</p> 
<p>right cabinet lower door=1</p>	<p>short drawer panel=1</p>	<p>left short drawer side panel=1</p>	<p>right short drawer side panel=1</p>
<p>29</p> 	<p>30</p> 	<p>31</p> 	<p>32</p> 
<p>short drawer bottom panel=1</p>	<p>short drawer tail panel=1</p>	<p>big foot rack=1</p>	<p>small foot rack=2</p>

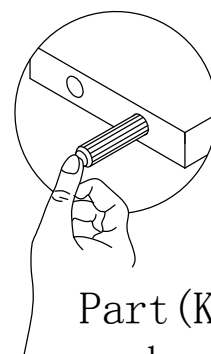


HARDWARE LIST

(A) 	(B) 	(C) 	(D) 	(E) 
3 in 1 rods=56	3 in 1 camlocks=56	3.5*14 self-tapping screws=50	3.5*25 self-tapping screws=8	4*35 self-tapping screws=20
(F) 	(G) 	(H) 	(I) 	(J) 
decoration box=1	laminare buckle=4	single handle=3	4*18 handle screws=3	screws=2
(K) 	(L) 	(M) 	(N) 	(O) 
8*30 wood dowels=16	magnetic=1	6*25 big flat screws=14	large curved door hinge=4	guide rails=3 sets
(P) 	 phillips head screw driver required for assemble---not include			
6*35 big flat screws=4				

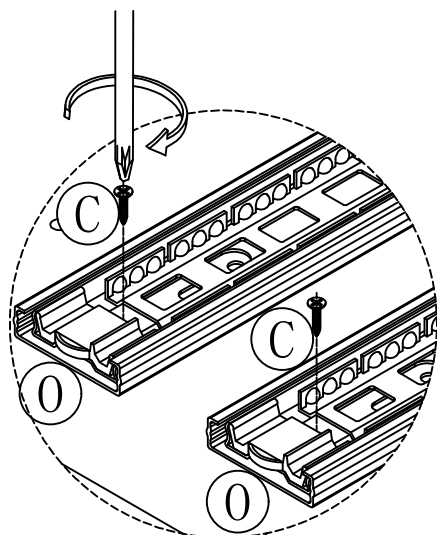


Part (A) and (B) installation schematic process

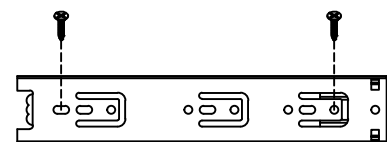
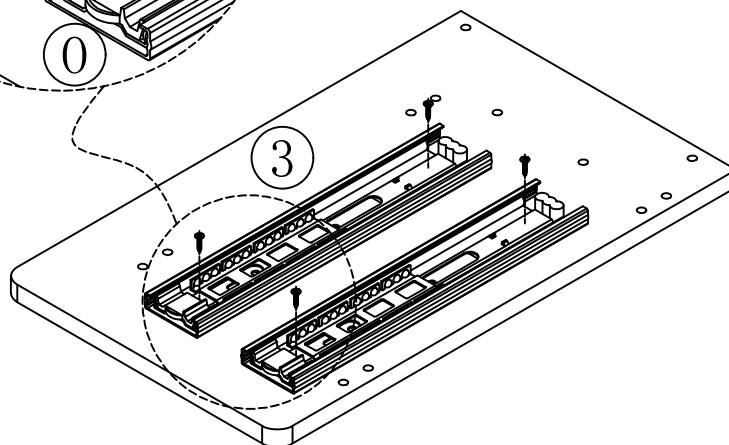


Part (K) installation schematic process

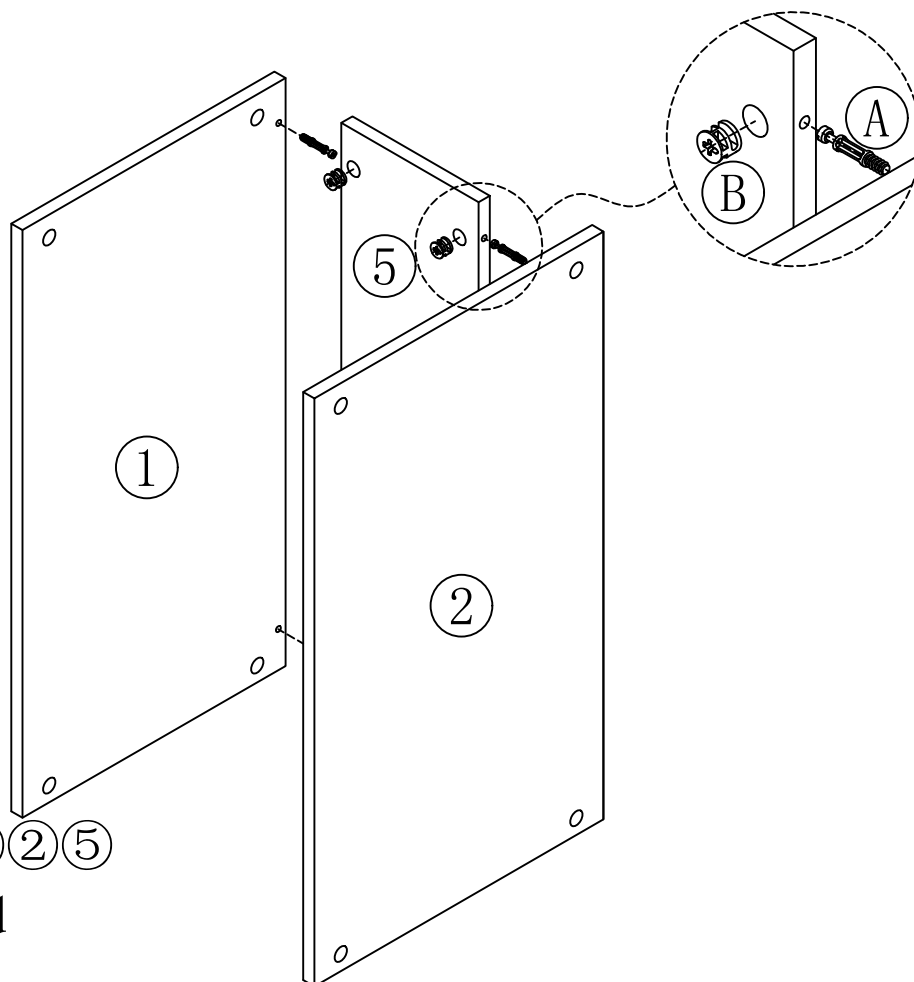
Step 1



Install two pcs (0) and four pcs (C) on panel ③.

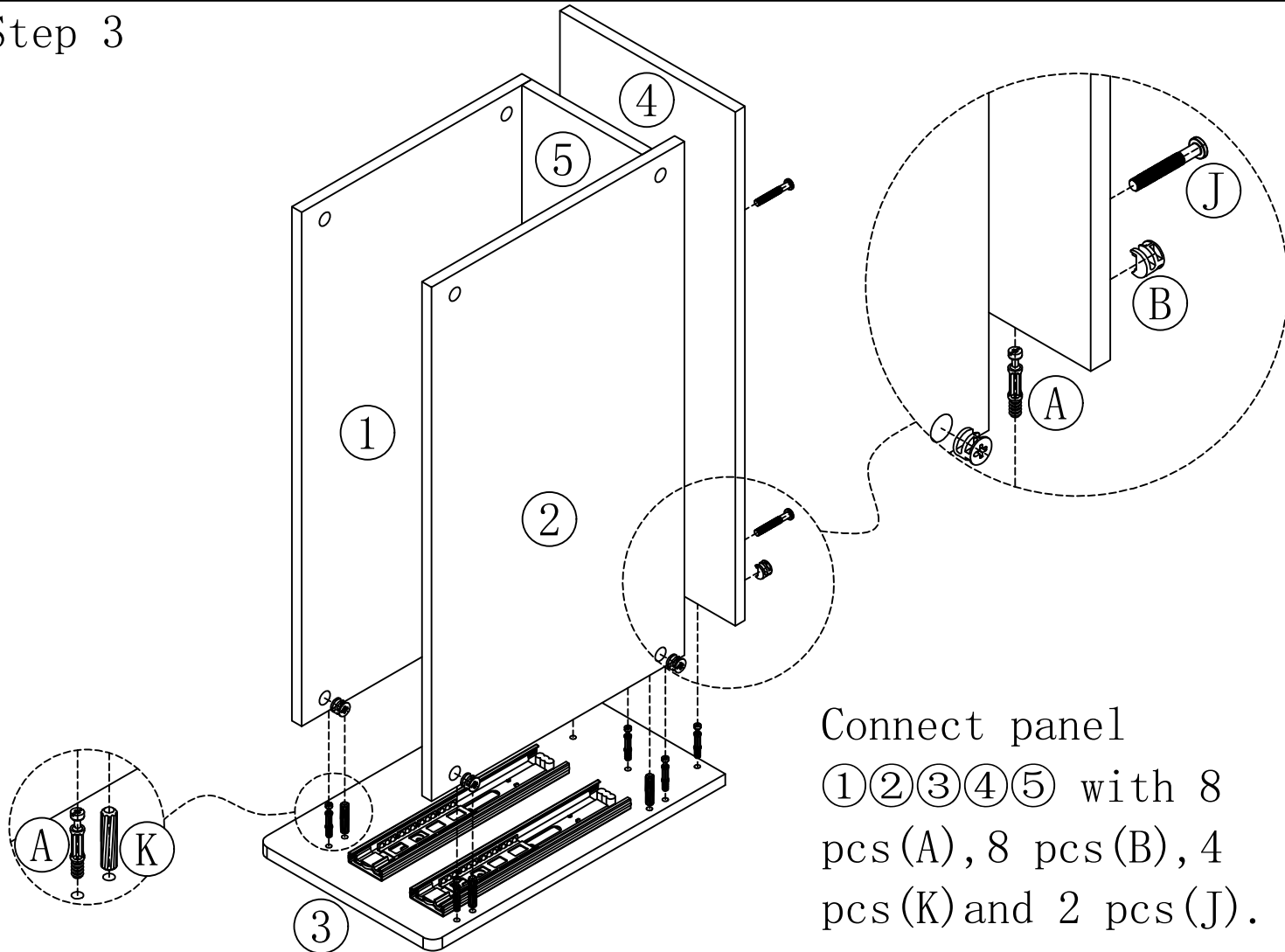


Step 2



Connect panel ①②⑤ with 4 pcs (A) and 4 pcs (B).

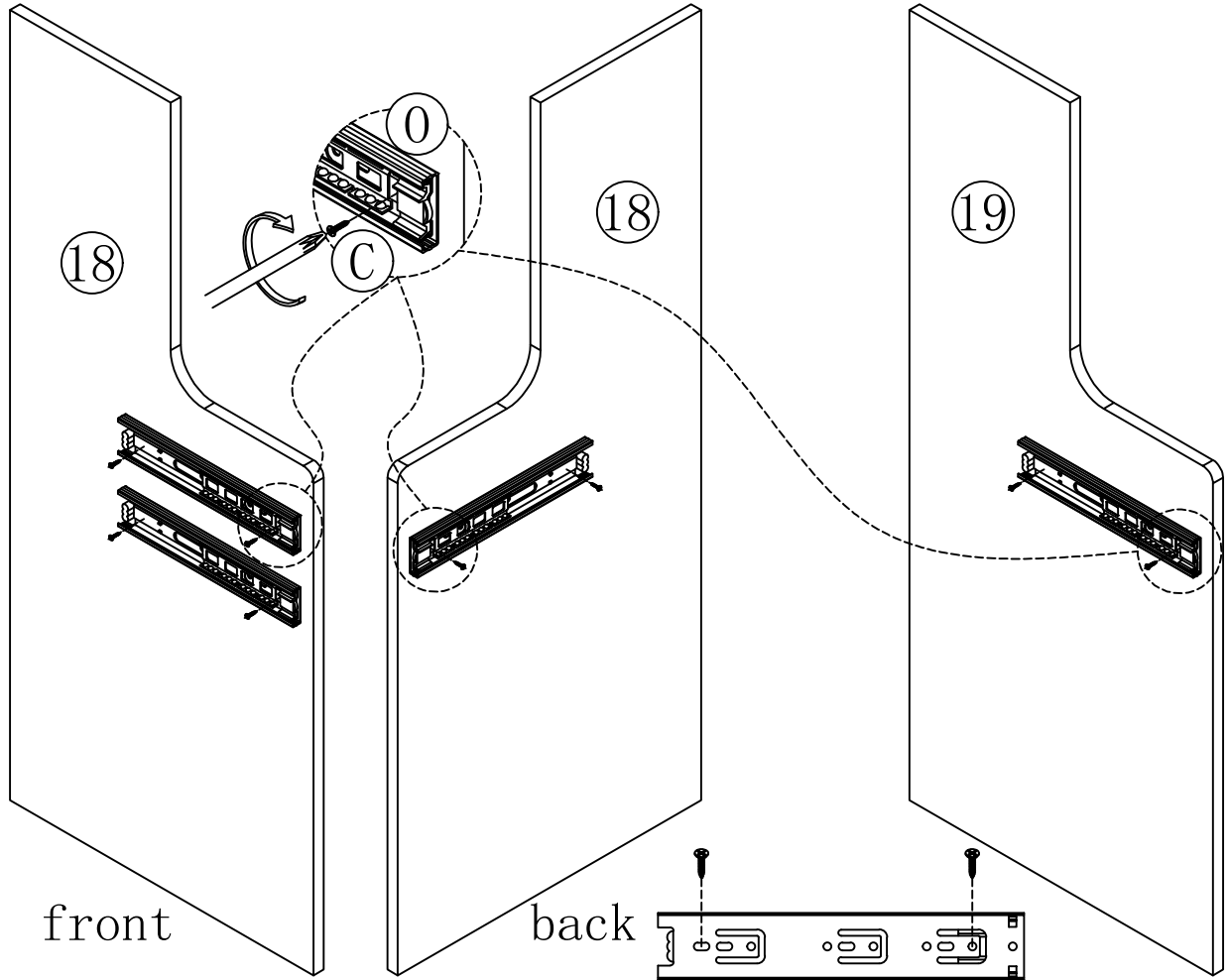
Step 3



Connect panel ①②③④⑤ with 8 pcs (A), 8 pcs (B), 4 pcs (K) and 2 pcs (J).

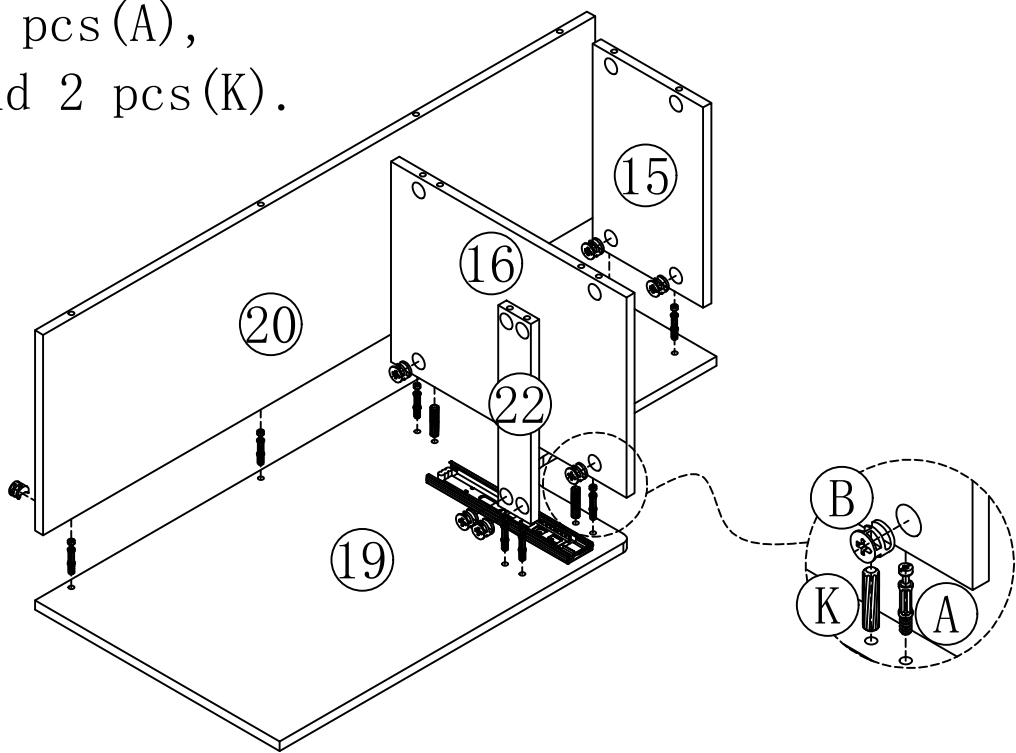
Step 4

Install 3 pcs (O), 8 pcs (C) on panel ⑱⑲.



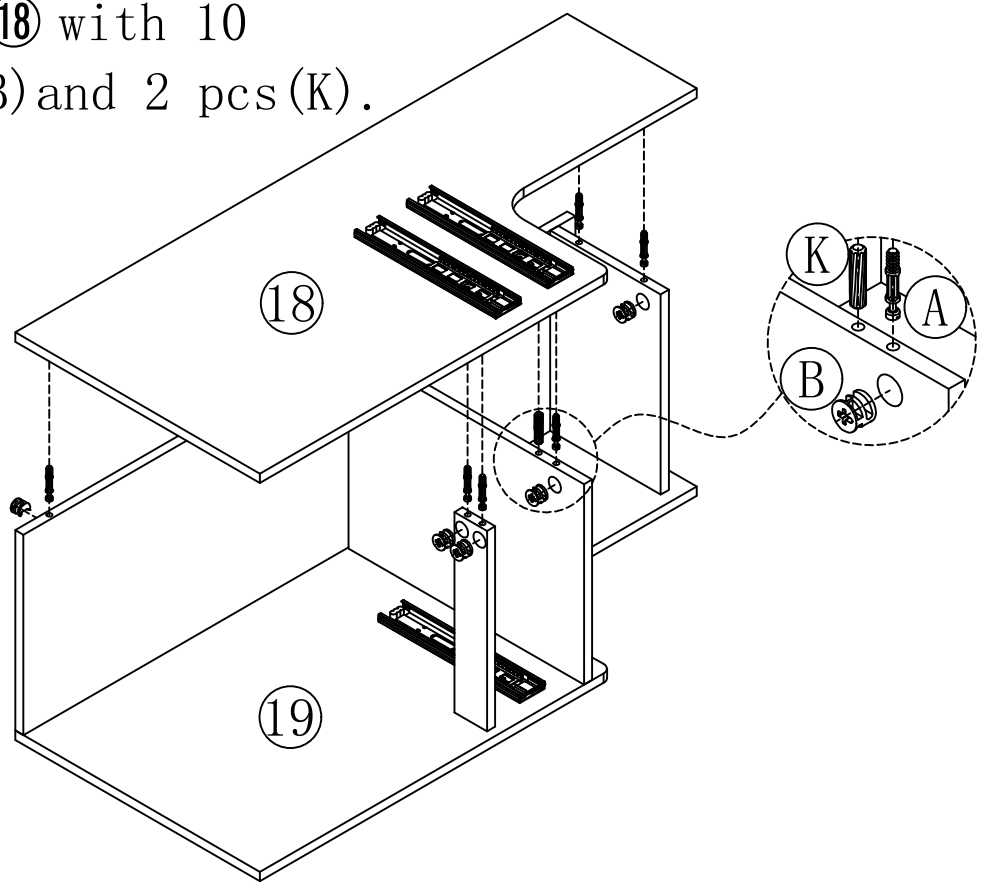
Step 5

Connect panel ⑮⑯⑰⑱
(22) with 10 pcs (A),
10 pcs (B) and 2 pcs (K).



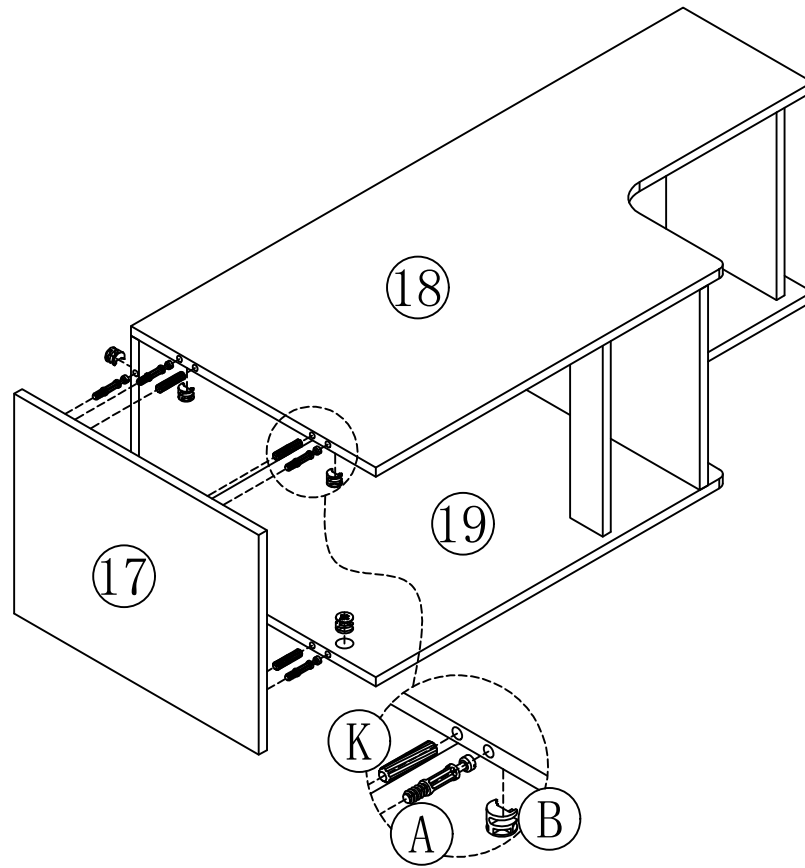
Step 6

Connect panel ⑱ with 10 pcs (A), 10 pcs (B) and 2 pcs (K).



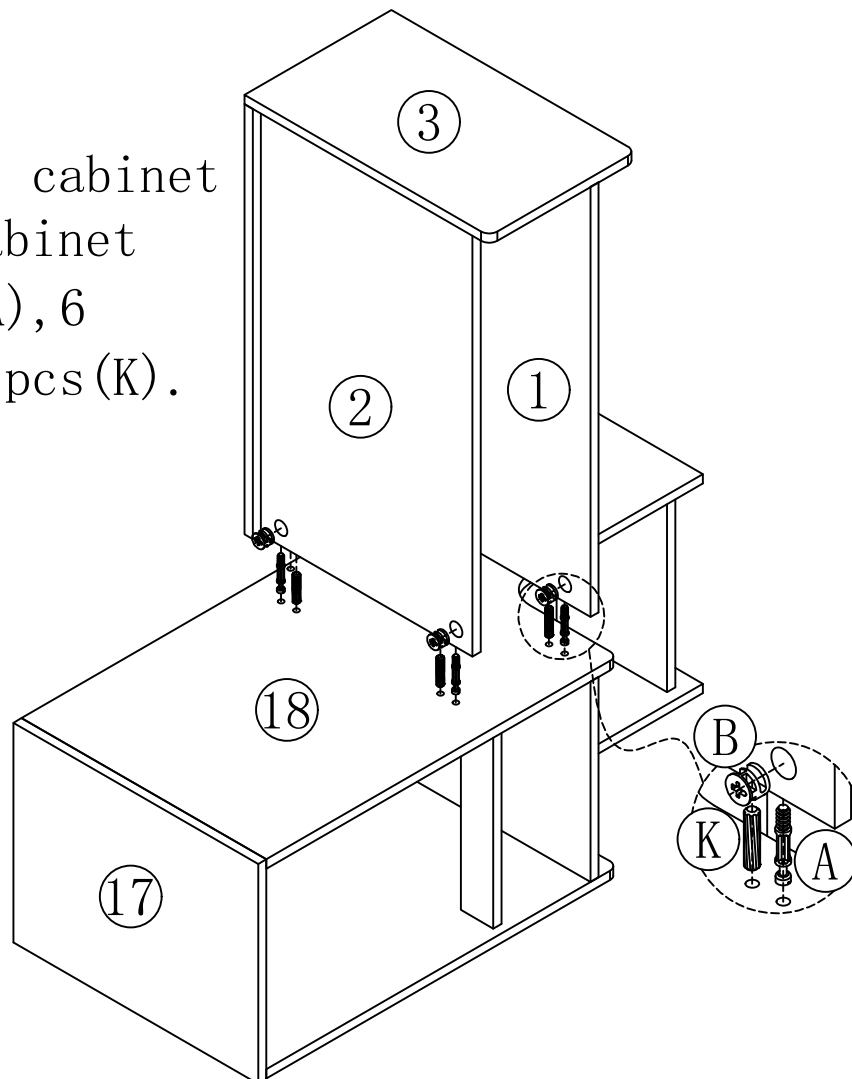
Step 7

Connect panel ⑰ with 6 pcs (A), 6 pcs (B) and 4 pcs (K).



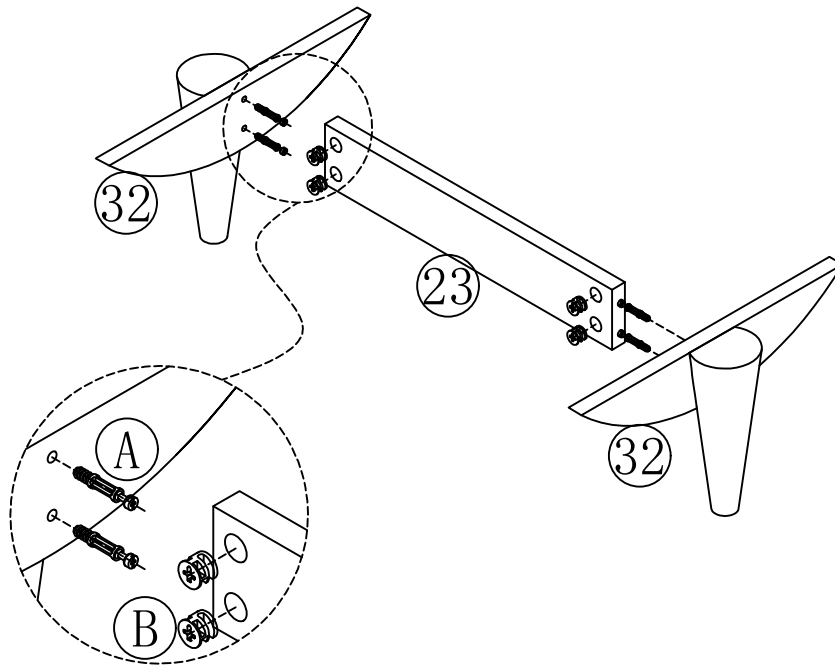
Step 8

Connect left cabinet and right cabinet with 6 pcs (A), 6 pcs (B) and 4 pcs (K).

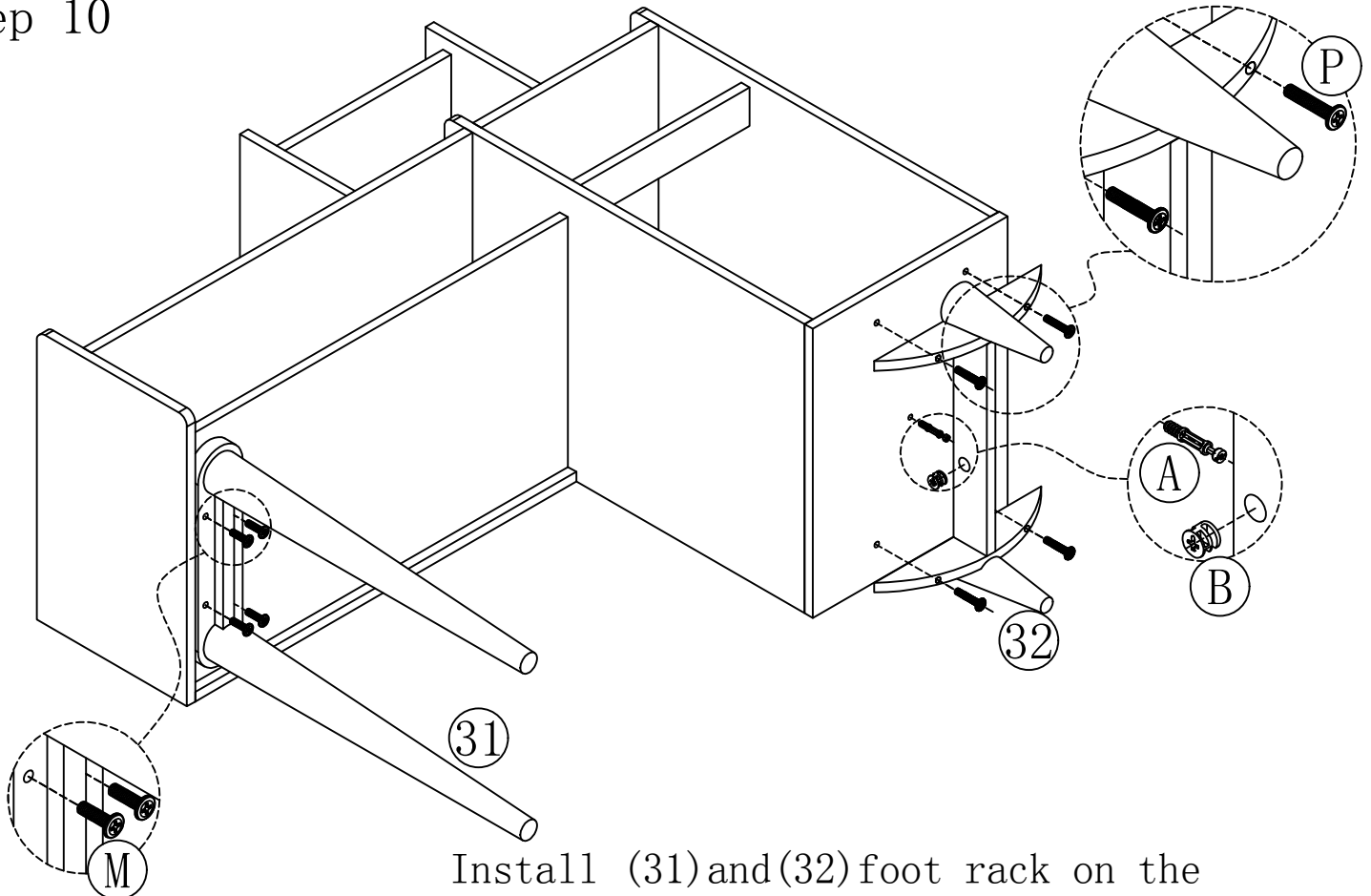


Step 9

Connect panel
(23) and (32) with four
pcs (A) and four pcs (B).

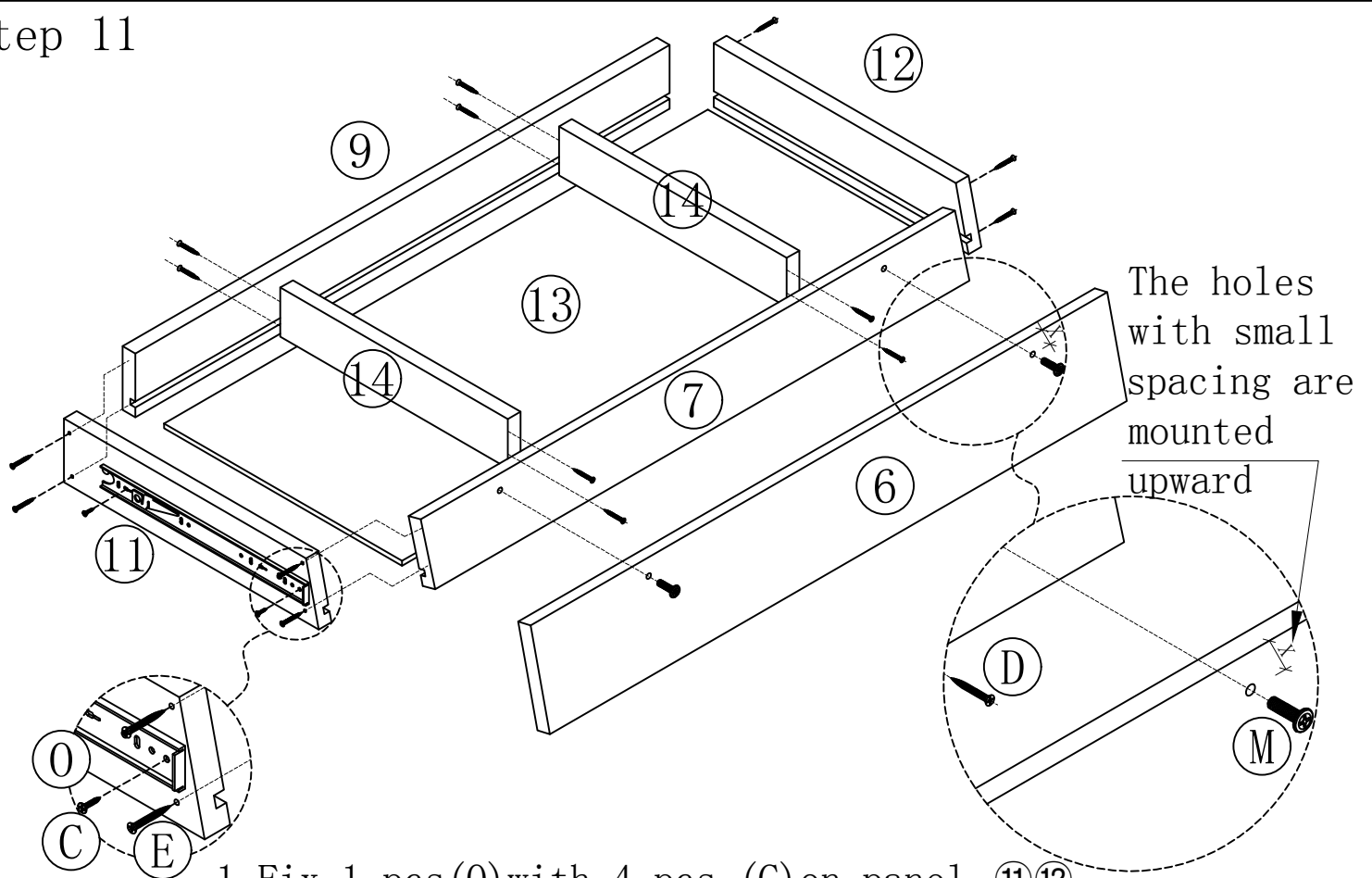


Step 10



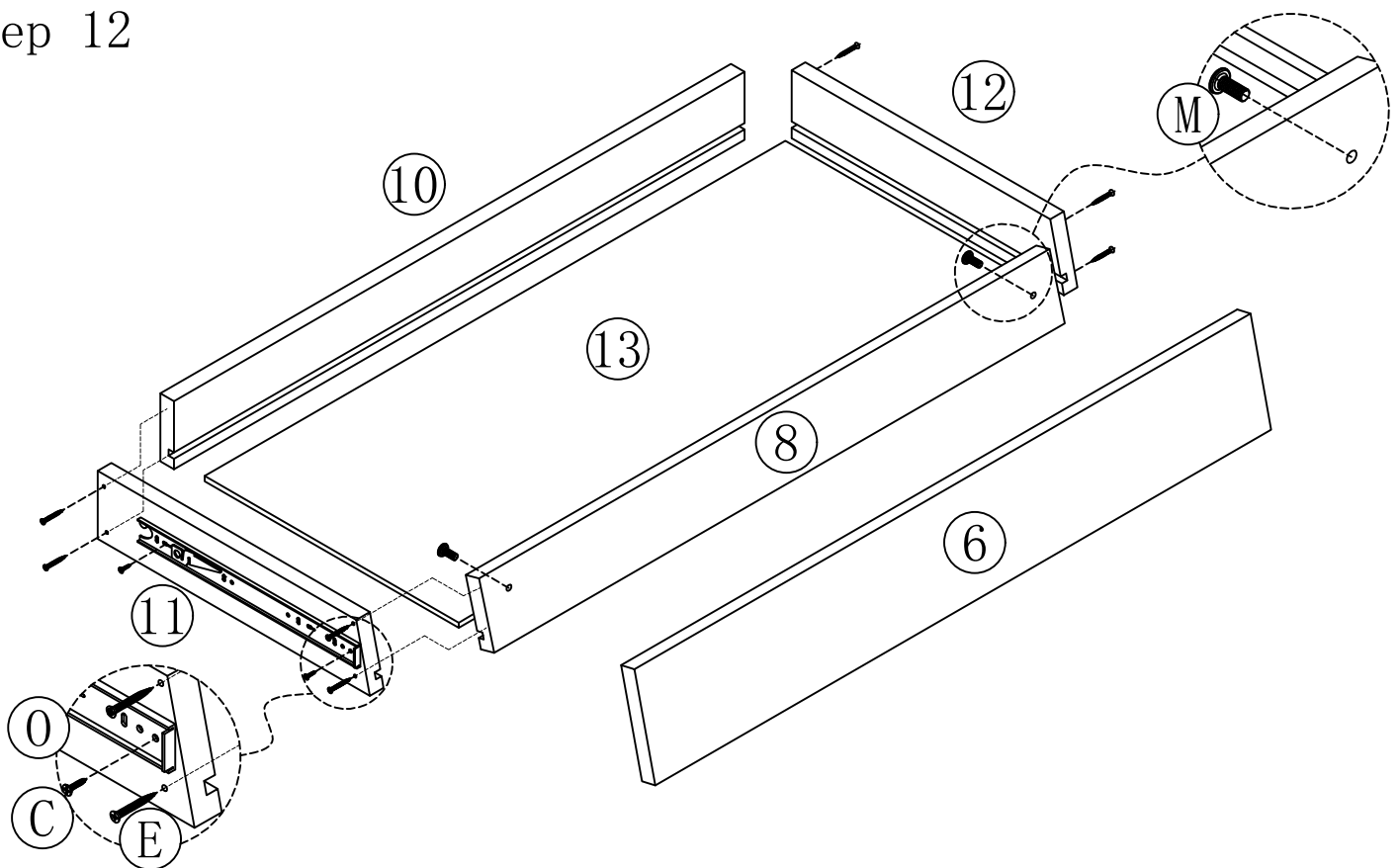
Install (31) and (32) foot rack on the
left/right cabinet with 4 pcs (M),
4 pcs (P), 1 pcs (A) and 1 pcs (B) respectively.

Step 11



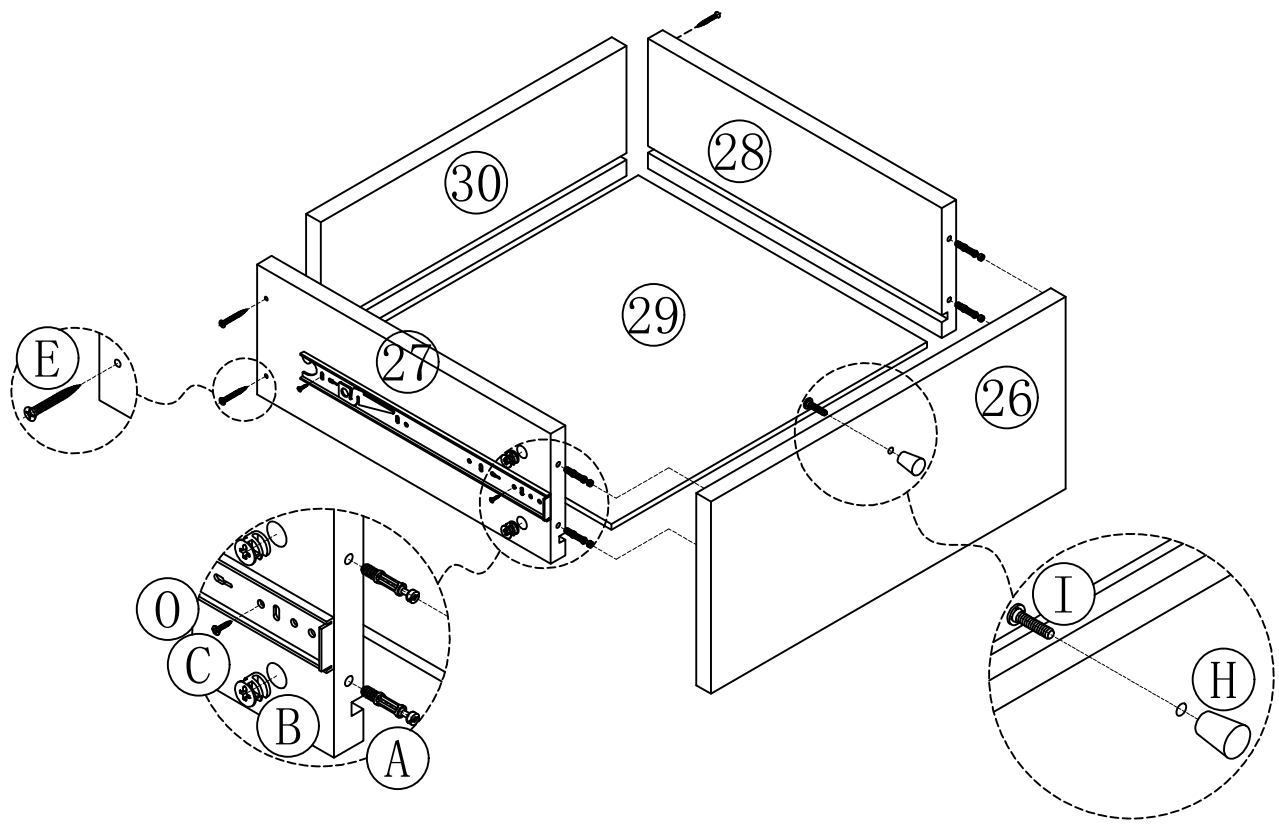
1. Fix 1 pcs (O) with 4 pcs (C) on panel ⑪⑫.
2. Connect panel ⑥⑦⑨⑪⑫⑬⑭ with 2 pcs (M), 8 pcs (E) and 8 pcs (D).

Step 12



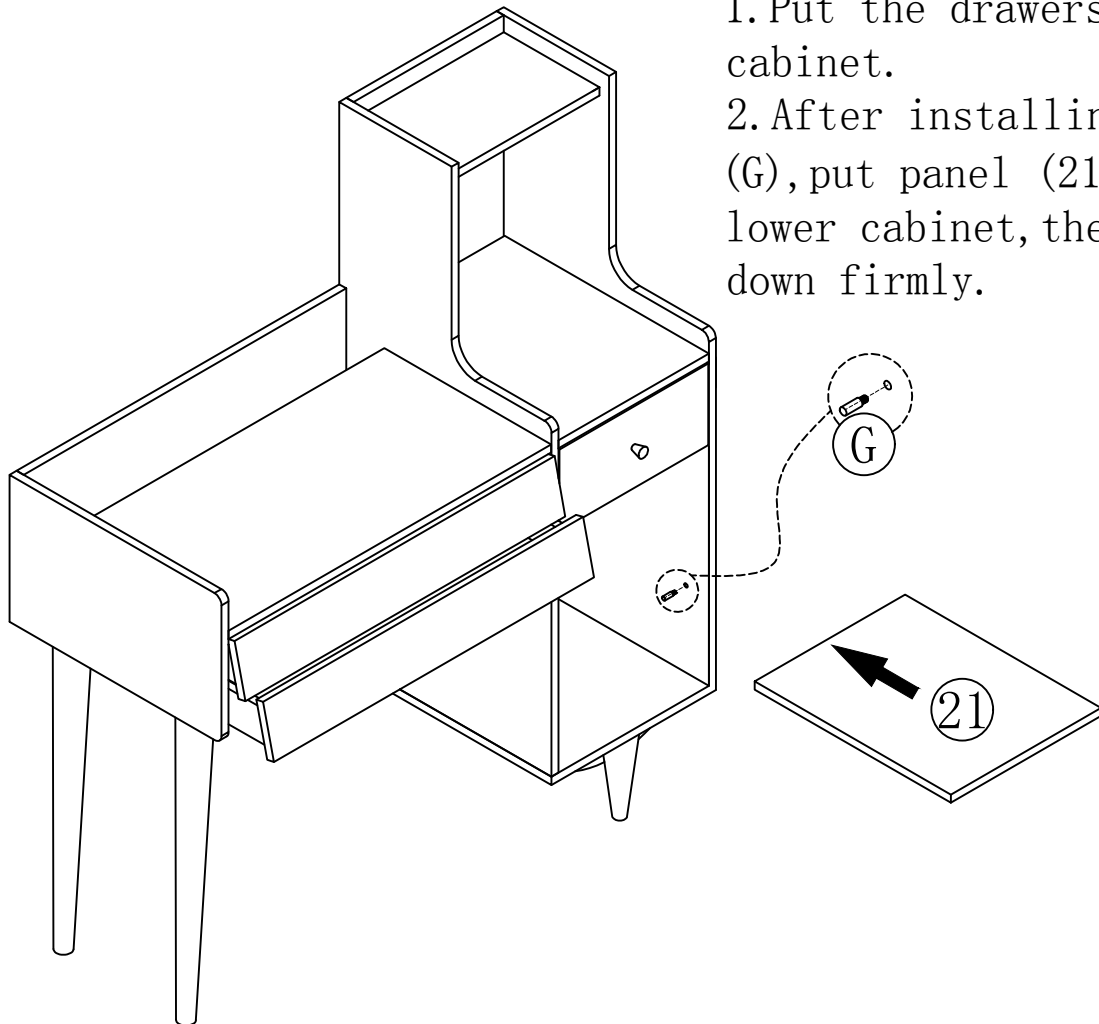
1. Fix 1 pcs (O) with 4 pcs (C) on panel ⑪⑫.
 2. Connect panel ⑥⑧⑩⑪⑫⑬ with 2 pcs (M) and 8 pcs (E).
- Note: The Angle of the bevel faces outward (drawer panel).

Step 13



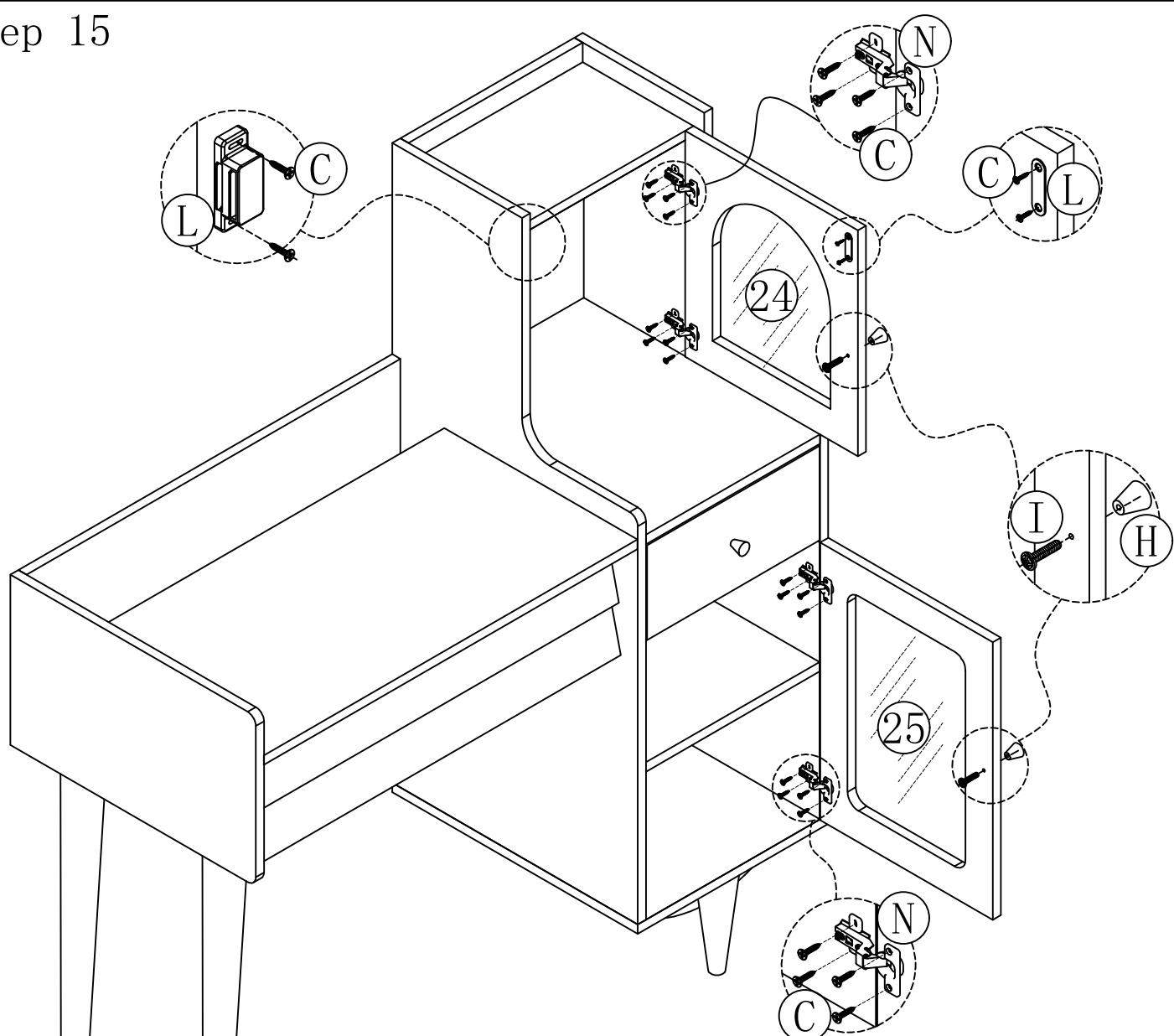
1. Fix 1 pcs (O) with 4 pcs (C) on panel (27) (28).
 2. Install 1 pcs (H) with 1 pcs (I) on panel (26).
- Then connect (26) (27) (28) (29) (30).

Step 14



1. Put the drawers in the cabinet.
2. After installing part (G), put panel (21) on the lower cabinet, then press down firmly.

Step 15



1. Install the upper and lower door with 16 pcs (C) and 4 pcs (N).
2. Install 1 pcs (L) with 4 pcs (C) on the cabinet door.
3. Install 2 pcs (H) with 2 pcs (I) on the cabinet door.

Kindly note: The edge of the door hinge should be level with the edge of the door panel before locking.

