

ADULT ASSEMBLY REQUIRED

CC Modular Loft System
CC Basic Loft

BIRD-IN-HAND
Woodworks, Inc.

Lancaster, Pennsylvania
A member of the School Specialty, Family

Set-Up and Assembly Information Booklet

Customer Service:

P.O. Box 1579
Appleton, WI 54912-1579
Phone: 1-888-388-3224
Customer Care Website:
<https://help.schoolspecialty.com/s/>

Warning:

This product is for children.
Supervision is required at all times.

Warning:

Manufacturer is not responsible for
modifications made to our products
by customers.

Cleaning:

Use a mild soap and water
solution. Be sure to wipe all
water from the wood surface.

Important:

Do not discard these instructions.
Keep for future reference.

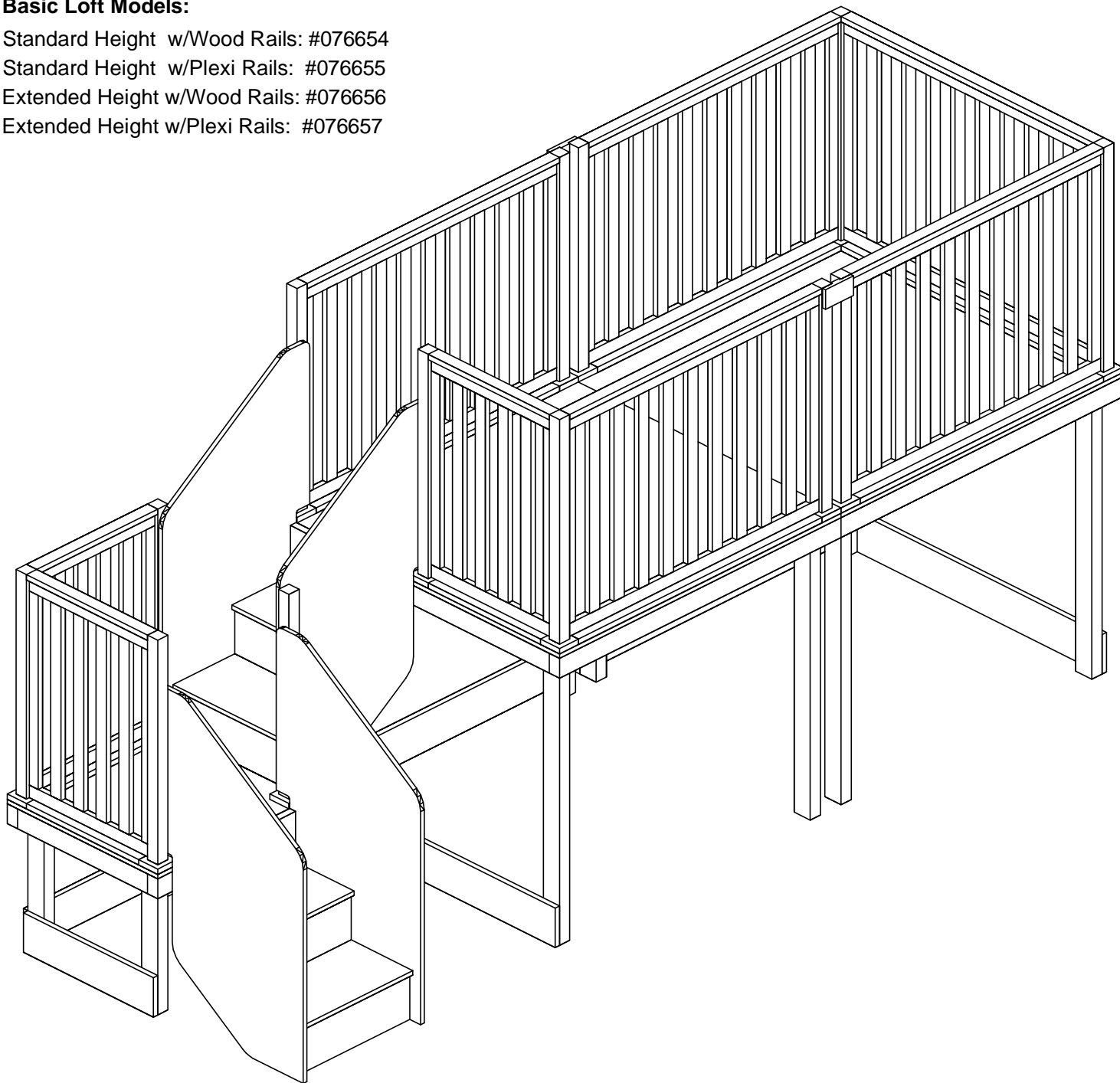
Basic Loft Models:

Standard Height w/Wood Rails: #076654

Standard Height w/Plexi Rails: #076655

Extended Height w/Wood Rails: #076656

Extended Height w/Plexi Rails: #076657



Set-Up and Assembly Information Booklet

BASIC LOFT COMPONENT CHECKLIST

Use this sheet to ensure you have all the required cartons before starting assembly!

| Report any shortages to Customer Service: | | Model: 076654 Std. Height Wood Rails | | Model: 076655 Std. Height Plexi Rails | | Model: 076656 Ext. Height Wood Rails | | Model: 076657 Ext. Height Plexi Rails | |
|---|--|--|--------------|---|--------------|--|--------------|---|--------------|
| | | Need | Have | Need | Have | Need | Have | Need | Have |
| 076651 | CC Loft Long Rail | 5 | | 5 | 5 | 5 | | 5 | 5 |
| 076652 | CC Loft Short Rail | 3 | | 3 | 3 | 3 | | 3 | 3 |
| 076617 | CC Corner Post | 4 | | 4 | | 4 | | 4 | |
| 076618 | CC End Post | 8 | | 8 | | 8 | | 8 | |
| 076619 | CC Short Plexi Rail | 3 | 3 | 3 | | 3 | 3 | 3 | |
| 076620 | CC Long Plexi Rail | 5 | 5 | 5 | | 5 | 5 | 5 | |
| 076625 | CC Filler Post | 1 | | 1 | | 1 | | 1 | |
| 076626 | CC Loft Landing w/o Legs | 1 | | 1 | | 1 | | 1 | |
| 076627 | CC Loft Base w/o Legs | 2 | | 2 | | 2 | | 2 | |
| 076650 | CC Loft Lower Step | 1 | | 1 | | 1 | 1 | 1 | 1 |
| 076630 | CC Loft Long Legs (set/4) | 2 | | 2 | | 2 | 2 | 2 | 2 |
| 076632 | CC Loft Short Legs (set/4) | 1 | | 1 | | 1 | 1 | 1 | 1 |
| 076653 | CC Basic Loft Carpet | 1 | | 1 | | 1 | | 1 | |
| 076634 | CC Ext.-Height Loft Upper Step | 1 | | 1 | | 2 | | 2 | |
| 076642 | CC Ext.-Height Loft Short Legs (set/4) | 1 | 1 | 1 | 1 | 1 | | 1 | |
| 076674 | CC Ext.-Height Loft Bottom Step | 1 | 1 | 1 | 1 | 1 | | 1 | |
| 076646 | CC Ext.-Height Loft Long Legs (set/4) | 2 | 2 | 2 | 2 | 2 | | 2 | |

Set-Up and Assembly Information Booklet

Thank you for purchasing a Childcraft Loft System!

Childcraft has been building lofts since 1991 when it introduced the industry's first modular loft system. Our commitment to quality and value continues today by using only the finest kiln dried maple and all-birch panels. Each loft component is carefully finished, and all hardware is of the finest quality for years of lasting value.

The Childcraft Lofts are designed to be used indoors only! They are free standing lofts that do not need to be anchored in any way. The loft creates developmentally appropriate spaces that focus the child's attention within the classroom learning environment. These lofts are not designed to function as play pieces of equipment. Children should be instructed not to use this loft in a manner other than intended.

The Modular Loft System is designed to be assembled using base cubes measuring 48" square. All other loft components such as steps, rails and landings are modular and designed around the base cubes. The rails are manufactured in two lengths. Short rails (24" long) are used in conjunction with the steps; long rails (48" long) are used to safely enclose the top of the base cubes to create spaces that can be used for reading, writing or listening. The Octagonal Loft will need clear floor space measuring approximately 9'-8" long x 7'-6" wide to accommodate the loft when completely assembled.

These lofts are designed for children from 2 through 5 years of age only! Both are available in two heights, 42" (Standard) and 56" (Extended). A standard height loft should not be installed in any room where the ceiling height is not a minimum of 8 feet (96") high. The extended height loft should not be installed where the ceiling height is not a minimum of 10 feet (120") high. Installing the lofts in rooms with lower ceiling heights could potentially cause problems with children being able to reach lights, sprinkler heads or ceiling tiles. This could result in damage to the classroom or serious injury to the children. Make sure that the ceiling above the loft is free from any protrusions that can be reached by children.

The instructions on the following pages will cover basic installation procedures necessary for proper setup. For assembly, you will need a power hand drill (3/8" variable speed is good), a #2 Phillips driver bit that fits into the drill, and a ratchet set with at least a 3/8" drive. Allow 2 1/2 to 3 hours for a complete loft installation using two people. A second person is necessary as some of the components are heavy and cumbersome for one person to handle.

Set-Up and Assembly Information Booklet

Important! Read the Following:

Observing the following statements and warnings reduces the likelihood of serious or fatal injury.

1. Use loft only under close adult supervision.
2. Childcraft lofts are intended for use by children from ages 2 through 5 years old.
3. Do not destroy this instruction booklet. Keep it in a safe place in case you must contact Childcraft.
4. Place the equipment on level ground, not less than 6 feet from any structure or obstruction such as a fence, garage, house, overhanging branches, laundry lines or electrical wires.
5. Do not install home playground equipment over concrete, asphalt, packed earth, or any other hard surface. A fall onto a hard surface could result in serious injury to the equipment user.
6. All bolts must be tightened securely. Check all nuts and bolts twice monthly during the usage season for tightness and tighten as required. It is particularly important that this procedure be followed at the beginning of each season.
7. Check all coverings for bolts and sharp edges twice monthly during the usage season to be certain they are in place. Replace when necessary. It is especially important to do this at the beginning of each new season.
8. Do not allow children to play on loft until assembly is complete.
9. The **Modular Loft system** is designed so that each 4' x 4' base section will occupy 2 children and related equipment. Total weight for each 4' x 4' base section **must not** exceed 700 pounds.
10. The **Octagonal Loft** is designed so that the loft base will occupy 2 children and related equipment. Total weight for the loft base **must not** exceed 500 pounds.
11. The loft is not designed to be used as a climbing gym. The loft must be accessed using the stairs only.
12. Children using the loft should wear shoes. Loose fitting clothing is potentially hazardous while using the loft.
13. Do not allow children to climb on loft when it is wet.
14. Disposal instructions: Be sure to disassemble all loft components prior to disposal.

CLEANING INSTRUCTIONS:

Any cleaning required can be done with a mild dish washing detergent using a soft cloth. After cleaning, all surfaces should be dried thoroughly, again using a soft cloth.

DO NOT USE ABRASIVE CLEANERS, SCOURING PADS, STEEL WOOL, OR COARSE RAGS TO CLEAN ANY LOFT COMPONENT.

Set-Up and Assembly Information Booklet

X3. CONSUMER INFORMATION SHEET FOR PLAYGROUND SURFACING MATERIALS*

X3.1 The U.S. Consumer Product Safety Commission (CPSC) estimates that about 100,000 playground equipment related injuries resulting from falls to the ground surface are treated annually in U.S. hospital emergency rooms. Injuries involving this hazard pattern tend to be among the most serious of all playground injuries, and have the potential to be fatal, particularly when the injury is to the head. The surface under and around playground equipment can be a major factor in determining the injury causing potential of a fall. It is self evident that a fall onto a shock absorbing surface is less likely to cause a serious injury than a fall onto a hard surface. Playground equipment should never be placed on hard surfaces such as concrete or asphalt and while grass may appear to be acceptable it may quickly turn to hard packed earth in areas of high traffic. Shredded bark mulch, wood chips, fine sand or fine gravel are considered to be acceptable shock absorbing surfaces when installed and maintained at a sufficient depth under and around playground equipment.

X3.2 Table X3.1 lists the maximum height from which a child would not be expected to sustain a life-threatening head injury in a fall onto four different loose-fill surfacing materials if they are installed and maintained at depths of 6, 9, and 12 inches. However, it should be recognized that all injuries due to falls cannot be prevented no matter what surfacing material is used. The fall height of a standard height loft is 3 feet - 6 inches. (42 inches total) The fall height of an extended-height loft is 4 feet - 8 inches. (56 inches total)

TABLE X3.1 Fall Height in Feet From Which a Life Threatening Head Injury Would Not Be Expected.

| Type of Material | 6 in. depth | 9 in. depth | 12 in. depth |
|----------------------------|-------------|-------------|--------------|
| Double Shredded Bark Mulch | 6 | 10 | 11 |
| Wood Chips | 6 | 7 | 12 |
| Fine Sand | 5 | 5 | 9 |
| Fine Gravel | 6 | 7 | 10 |

X3.3 It is recommended that a shock absorbing material should extend a minimum of 6 feet in all directions from the perimeter of stationary equipment such as climbers and slides. However, because children may deliberately jump from a moving swing, the shock absorbing material should extend in the front and rear of a swing a minimum distance of 2 times the height of the pivot point measured from a point directly beneath the pivot point on the supporting structure.

X3.4 This information is intended to assist in comparing the relative shock-absorbing properties of various materials. No particular material is recommended over another. However, each material is only effective when properly maintained. Materials should be checked periodically and replenished to maintain correct depth as determined necessary for your equipment. The choice of a material depends on the type and height of the playground equipment, the availability of the material in your area, and its cost.

*This information has been extracted from the CPSC publications "Playground Surfacing - Technical Information Guide" and "Handbook for Public Playground Safety." Copies of these reports can be obtained by sending a postcard to the Office of Public Affairs, U.S. Consumer Product Safety Commission, Washington, D.C., 20207 or call the toll-free hotline: 1-800-638-2772

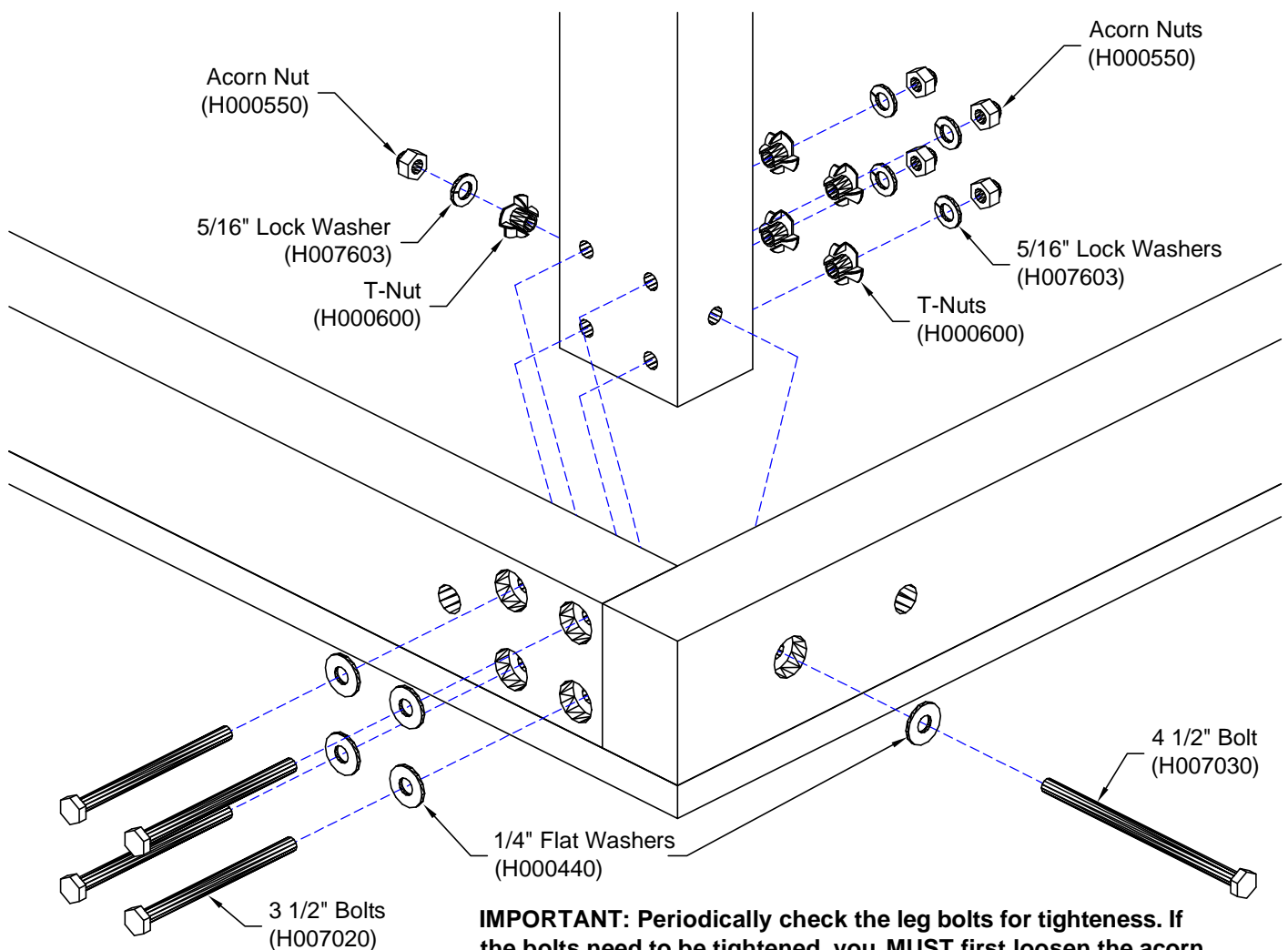
Loft Base Assembly

Hardware needed (per base) to attach legs:

| | | |
|--------------------------------|-------------------------|------------------------|
| 16 - 1/4-20 x 3 1/2" Hex Bolts | 20 - 5/16" Lock Washers | 20 - 1/4-20 T-nuts |
| 4 - 1/4-20 x 4 1/2" Hex Bolts | 20 - 1/4" Flat Washers | 20 - 1/4-20 Acorn Nuts |

Follow these steps and refer to the drawing below:

- 1 - Place a loft base upside down.
- 2 - Place one flat washer on each hex head bolt.
- 3 - Place one leg in a corner of the base, matching the five holes in the leg with the holes in the corner.
- 4 - Insert four 3 1/2" long bolts through the base until they extend through the leg.
- 5 - Place a T-nut (prongs facing the leg) on each bolt and turn until the prongs are against the leg. Keep the leg tight in the corner.
- 6 - Repeat steps 4 and 5 with a 4 1/2" long bolt in the remaining leg hole.
- 7 - After all five bolts are in place, use a ratchet with a 7/16" socket to tighten the bolts. Tighten until the prongs of the T-nut are drawn completely into the leg.
- 8 - After all the bolts are tight, place a lock washer followed by an acorn nut on each bolt and tighten.
- 9 - Repeat the steps above for each remaining leg.



IMPORTANT: Periodically check the leg bolts for tightness. If the bolts need to be tightened, you MUST first loosen the acorn nuts! After tightening the leg bolts, re-tighten the acorn nuts!

Hardware needed to connect bases and attach leg boards:

4 - 3/8-16 x 4" Hex Bolts

4 - 3/8" Lock Washers

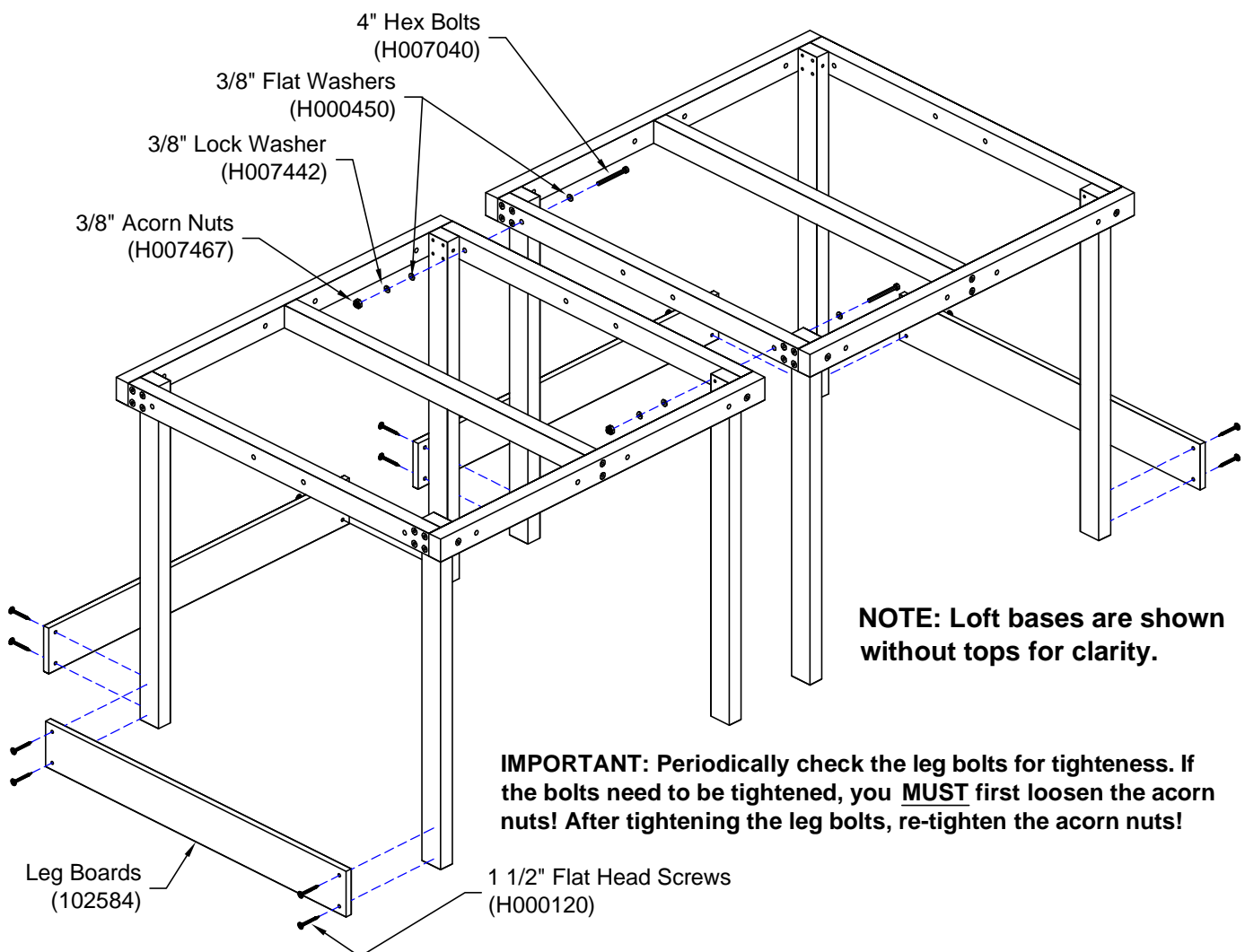
16 - 1 1/2" Flat Head Screws

8 - 3/8" Flat Washers

4 - 3/8-16 Acorn Nuts

Follow these steps and refer to the drawing below:

- 1 - Turn each base unit upright and move it to its final location. Align the two bases so they are flush in the front and back, and tight together. (For a better appearance, connect the bases as shown below, with the narrow edge of the legs facing forward.)
- 2 - Place one 3/8" flat washer on each 4" long bolt.
- 3 - Insert the bolts through the end holes in both base units.
- 4 - Place another 3/8" flat washer followed by a lock washer (in that order) on the end of each bolt.
- 5 - After all the bolts are in place, tighten securely using the 3/8" acorn nuts.
- 6 - Attach the legs boards using the 1 1/2" long flat head screws. The leg boards must be attached perpendicular (see drawing) to each other, and the ends of the boards should be flush with the outside edges of the legs.



Landing Assembly

Hardware needed to assemble landing:

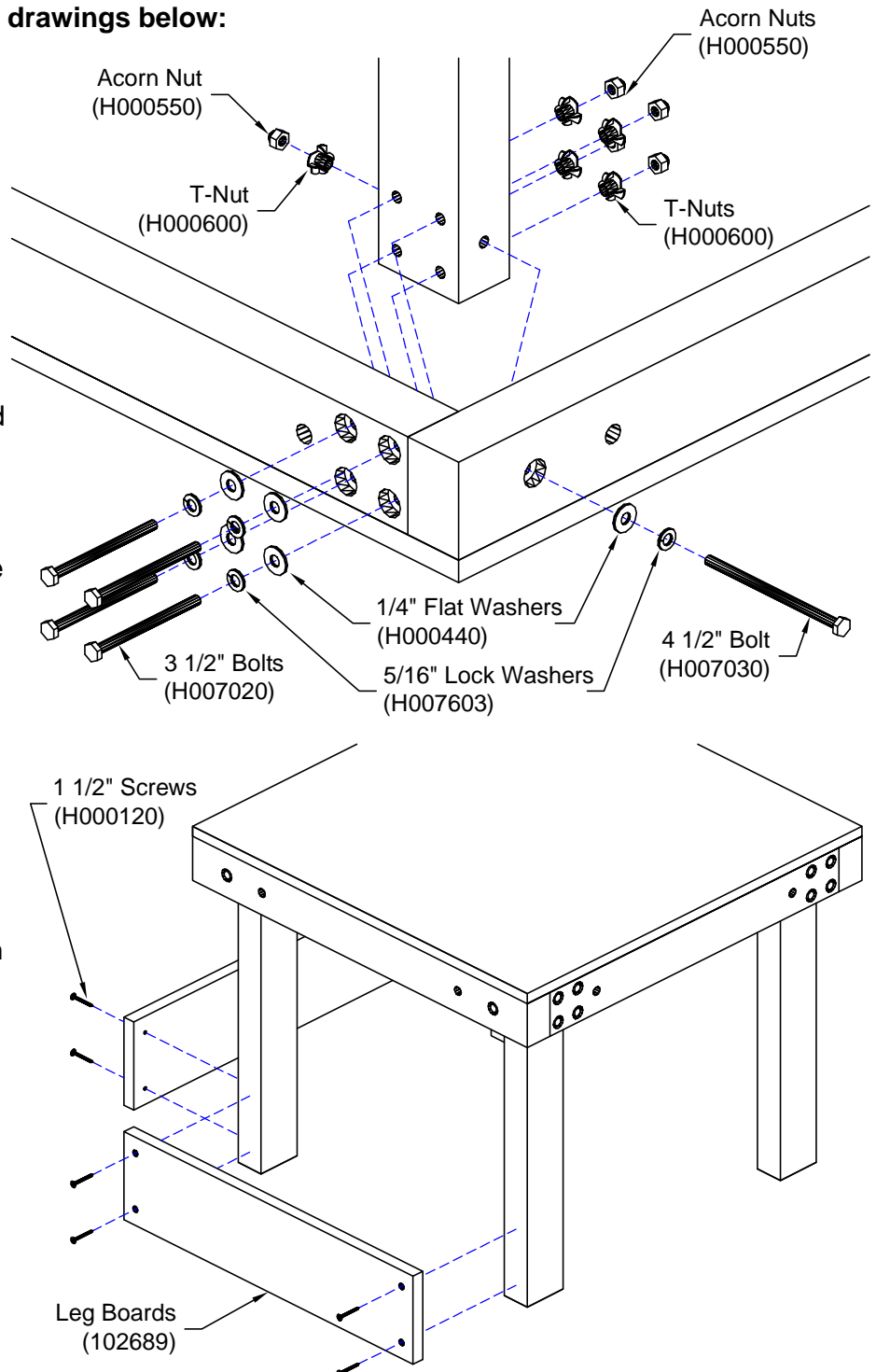
16 - 1/4-20 x 3 1/2" Hex Bolts
4 - 1/4-20 x 4 1/2" Hex Bolts
20 - 5/16" Lock Washers

20 - 1/4" Flat Washers
20 - 1/4-20 T-nuts

20 - 1/4-20 Acorn Nuts
8 - 1 1/2" Flat Head Screws

Follow these steps and refer to the drawings below:

- 1 - Place the loft landing upside down.
- 2 - Place one lock washer followed by a flat washer on each hex head bolt.
- 3 - Place one leg in a corner of the landing, matching the five holes in the leg with the holes in the corner.
- 4 - Insert four 3 1/2" long bolts through the landing until they extend through the leg.
- 5 - Place a T-nut (prongs facing the leg) on each bolt and turn until the prongs are against the leg. Keep the leg tight in the corner.
- 6 - Repeat steps 4 and 5 with the 4 1/2" long bolt in the remaining leg hole.
- 7 - After all five bolts are in place, use a ratchet with a 7/16" socket to tighten the bolts. Tighten until the prongs of the T-nut are drawn completely into the leg.
- 8 - After all the bolts are tight, attach an acorn nut to each bolt and tighten.
- 9 - Repeat the steps above for each remaining leg.
- 10 - Attach the two leg boards using the 1 1/2" long flat head screws. The boards must be perpendicular to each other, and the ends of the boards should be flush with the outside edge of the legs.



IMPORTANT: Periodically check the leg bolts for tightness. If the bolts need to be tightened, you MUST first loosen the acorn nuts! After tightening the leg bolts, re-tighten the acorn nuts!

Railings and Posts

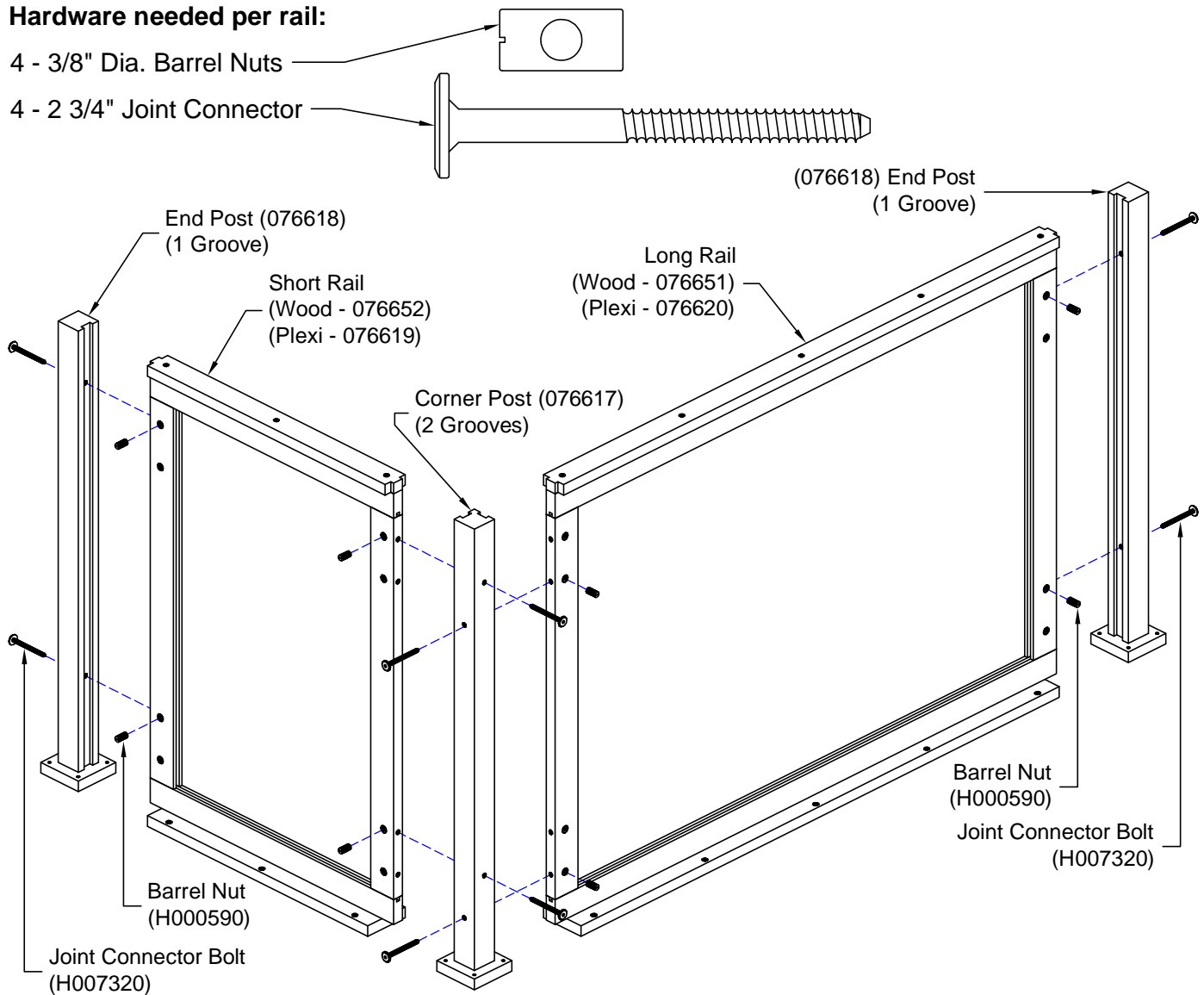
IMPORTANT! THIS IS NOT AN ASSEMBLY PAGE! The drawing and procedure on this page are only to help you become familiar with the different components and assembly method for the loft rails. Do not assemble the rails shown below! The railing assembly for your loft will begin on the next page.

All modular loft rail sections include end or corner posts. The end and corner posts are grooved to fit over the end of a rail piece, and are connected together at each end using two connector bolts and barrel nuts. The barrel nuts are placed first into the holes drilled in the end stiles of the rails. Rotate the barrel nut so that the slot on one end is horizontal, this will ensure that the hole will be aligned to accept the bolt. Insert a connector bolt through the corresponding hole in the post until it hits the barrel nut. Turn the bolt clockwise to begin threading it into the nut. Finish tightening the bolts completely by using the hex wrench provided.

Hardware needed per rail:

4 - 3/8" Dia. Barrel Nuts

4 - 2 3/4" Joint Connector

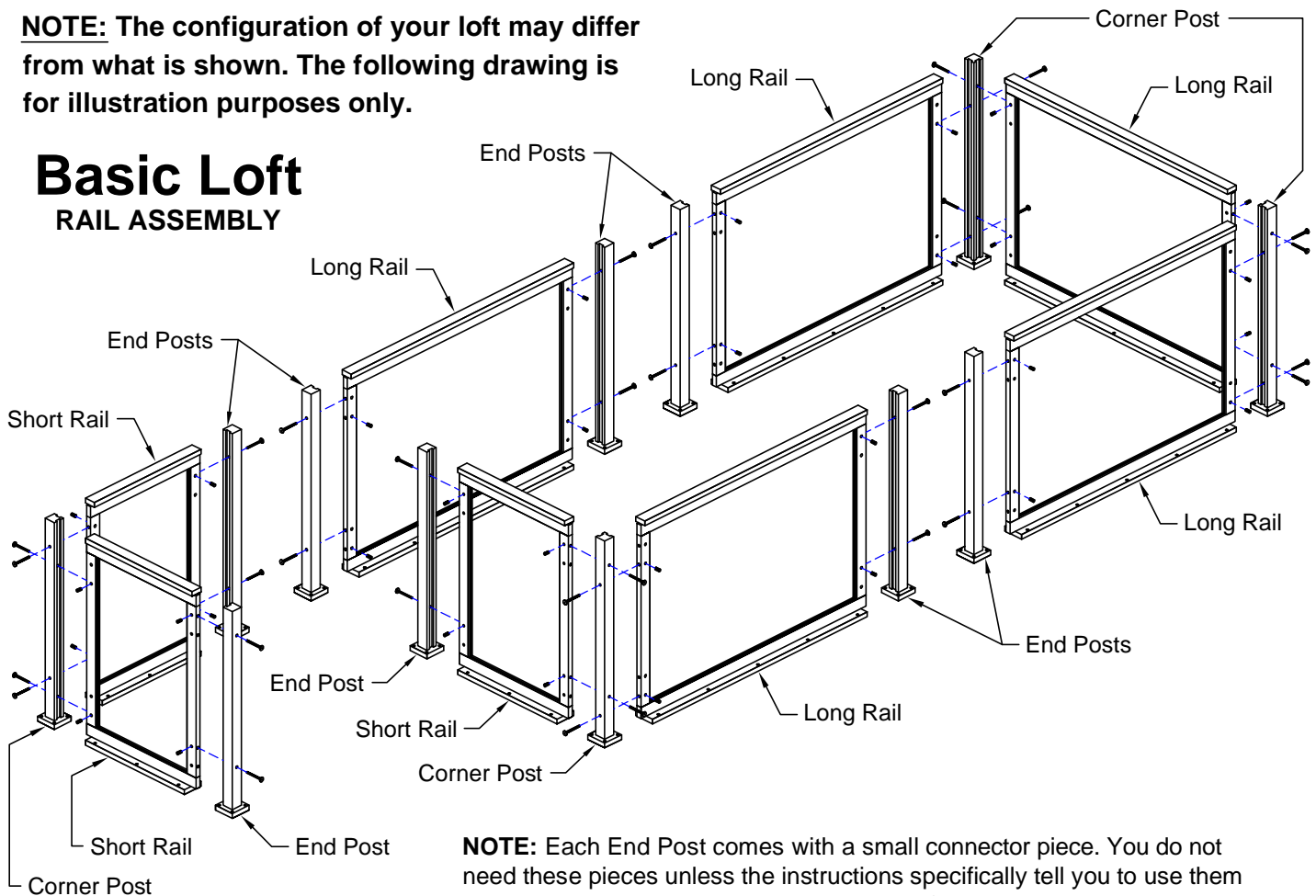


NOTE: Since the Childcraft Loft System is modular, your own configuration may differ slightly from what is shown. The drawings on the following pages show plexi rails for clarity of illustration only. Wood rails are attached using the same procedures.

The setup of your loft will be much easier and faster if you pre-assemble the post and rails before attaching them to the platforms. Use the drawing below as a guide for proper rail configurations.

NOTE: The configuration of your loft may differ from what is shown. The following drawing is for illustration purposes only.

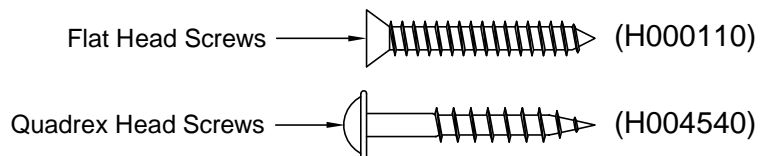
Basic Loft RAIL ASSEMBLY



NOTE: Each End Post comes with a small connector piece. You do not need these pieces unless the instructions specifically tell you to use them during installation. They can be discarded after installation is complete

Hardware needed to attach railings:

- 6 - 1 1/4" Flat Head Screws (Per Short Rail)
- 10 - 1 1/4" Flat Head Screws (Per Long Rail)
- 4 - 1 1/4" Quadrex Head Screws (Per Post)



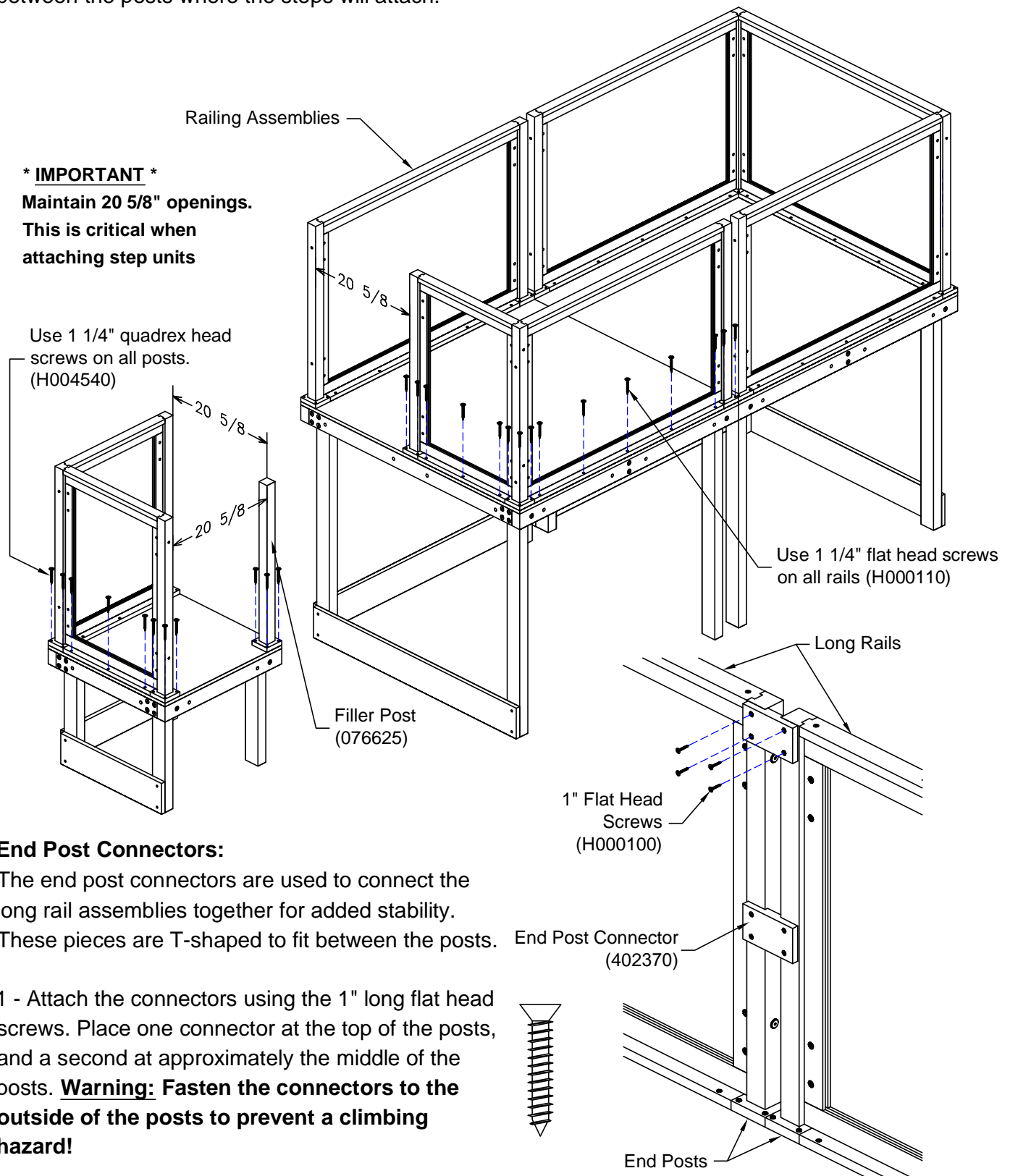
NOTE: THE REMAINING STEPS SHOULD BE COMPLETED WITH TWO PEOPLE!

Follow these steps and refer to the drawing on the next page:

- 1 - Lift the assembled rail sections on to the top of the base and landing platforms.
- 2 - Position the rails evenly along the platform edges. Make sure there is a 20 5/8" space between the two posts where the steps will be attached.
- 3 - Attach the rails sections to the platforms using the 1 1/4" long quadrex head screws for the posts, and the 1 1/4" long flat head screws for the rails. The corners of the posts should be flush with the corners of the platforms.

Railings and Posts

4 - Locate and attach the Filler Post (no grooves) to the landing using the 1 1/4" long quadrex screws. Keep the corner of the post foot even with the corner of the landing. Make sure there is a 20 5/8" space between the posts where the steps will attach.



End Post Connectors:

The end post connectors are used to connect the long rail assemblies together for added stability. These pieces are T-shaped to fit between the posts.

1 - Attach the connectors using the 1" long flat head screws. Place one connector at the top of the posts, and a second at approximately the middle of the posts. **Warning: Fasten the connectors to the outside of the posts to prevent a climbing hazard!**

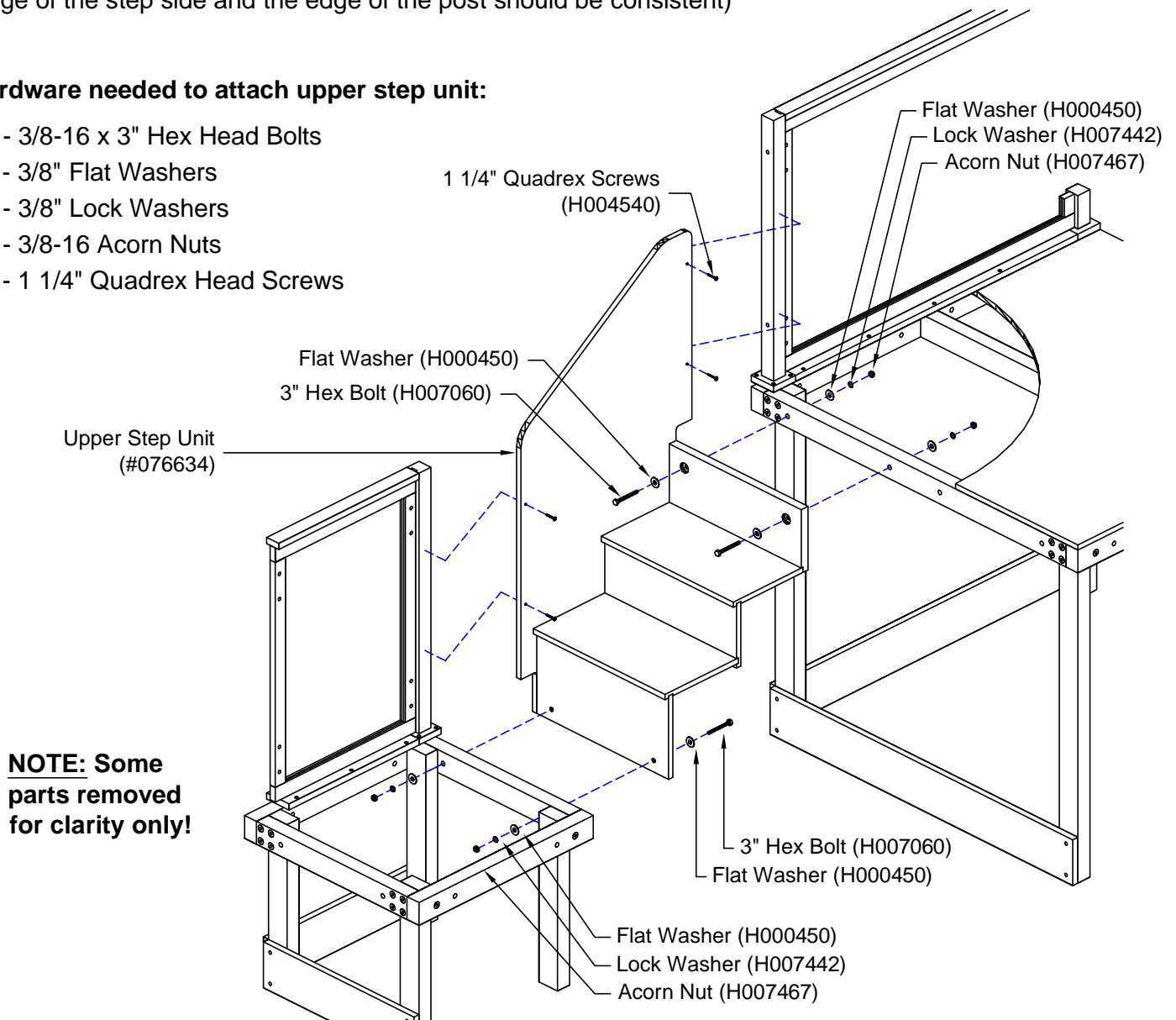
NOTE: THE UPPER AND LOWER STEPS MUST BE ATTACHED BY TWO PEOPLE!

Follow these steps and refer to the drawing below:

Position the two bases approximately 24" apart. (Measured between base legs) Place the upper step unit between the posts of the upper and lower bases. Place a 3/8" flat washer on each 3" long hex head bolt, and insert them through the holes in the top and bottom risers of the steps, and through the corresponding holes in the bases. (It may be necessary to move the steps slightly to align the holes) Once the bolts are through the base holes, place another flat washer over the bolt ends followed by a lock washer and acorn nut. Tighten the acorn nuts ONLY until snug. Adjust the position of the steps so that the top riser is even with the top of the base, and the bottom riser is even with the bottom edge of the base rails. (It may be necessary to adjust the position of the bases slightly) Once the steps are positioned properly, tighten the acorn nuts completely. Finish the assembly by inserting eight of the 1 1/4" long screws through the holes in the side panels, and driving them into the posts. (The distance between the edge of the step side and the edge of the post should be consistent)

Hardware needed to attach upper step unit:

- 4 - 3/8-16 x 3" Hex Head Bolts
- 8 - 3/8" Flat Washers
- 4 - 3/8" Lock Washers
- 4 - 3/8-16 Acorn Nuts
- 8 - 1 1/4" Quadrex Head Screws



NOTE: Use this page only if you have a standard height loft! If you are assembling an extended height loft, skip this page and use the next two pages for directions on assembling and attaching the lower step units.

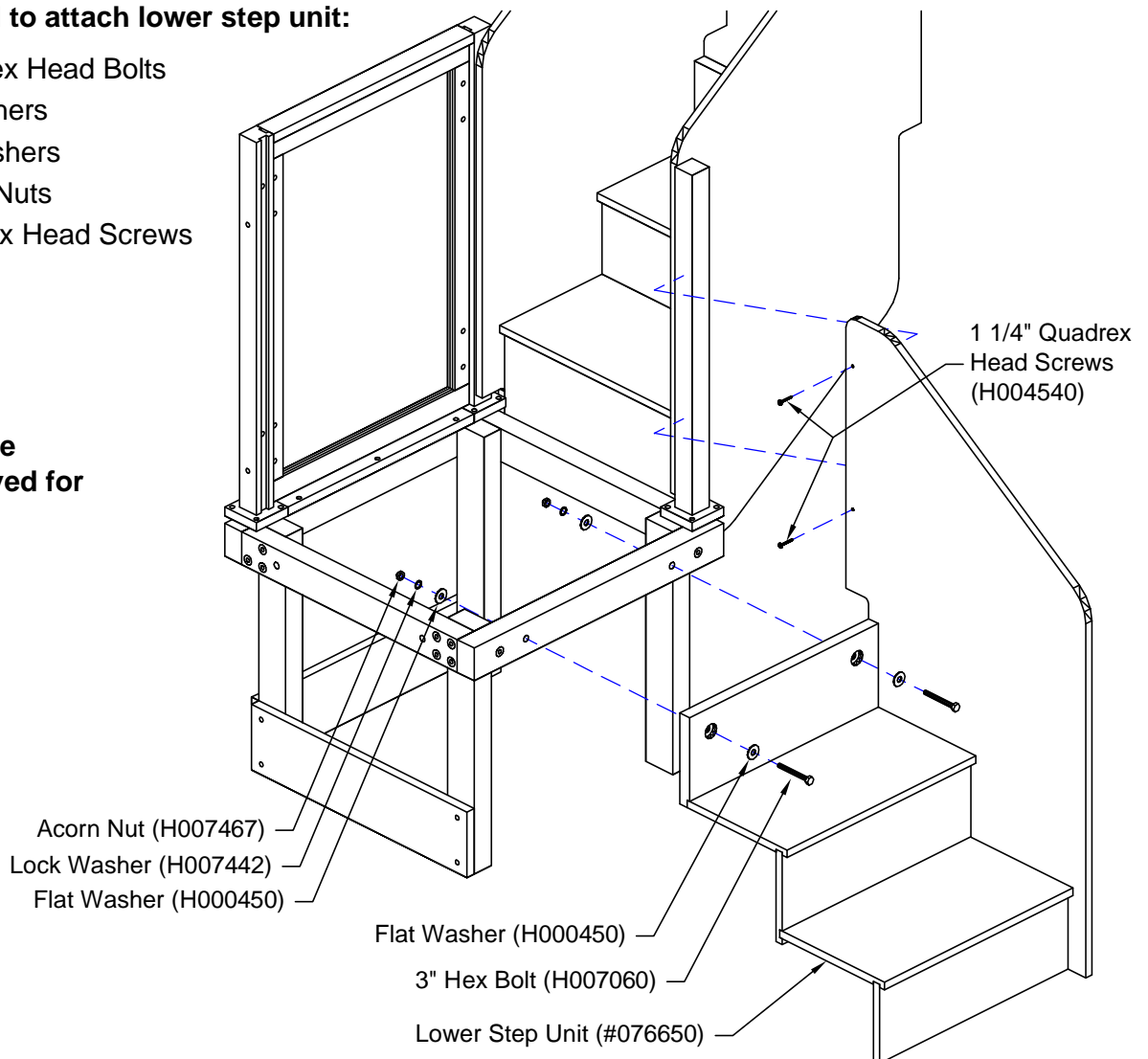
Follow these steps and refer to the drawing below:

The lower step unit attaches in the same manner as the upper step unit. Position the lower step unit against the landing (or lower base unit) by placing the step sides between the posts. Place a 3/8" flat washer on two, 3" long hex bolts and insert them through the holes in the top riser of the steps and through the corresponding holes in the landing. (Or base) Once the bolts are through the holes, add another flat washer over the bolt ends followed by a lock washer and an acorn nut. Tighten the acorn nuts ONLY until snug! Adjust the position of the steps so that the top riser is even with the top of the landing. (Or base) Once the steps are positioned properly, tighten the acorn nuts completely. Finish the assembly by inserting four of the 1 1/4" long screws through the holes in the step side panels, and driving them into the posts. (The distance between the edge of the step side and the edge of the post should be consistent)

Hardware needed to attach lower step unit:

- 2 - 3/8-16 x 3" Hex Head Bolts
- 4 - 3/8" Flat Washers
- 2 - 3/8" Lock Washers
- 2 - 3/8-16 Acorn Nuts
- 4 - 1 1/4" Quadrex Head Screws

NOTE: Some parts removed for clarity only!



Extended-Height Step Assembly

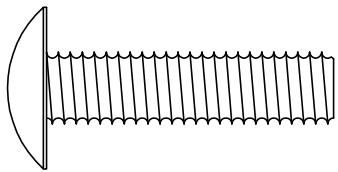
NOTE: These instructions apply only if you are assembling an extended height model of a Childcraft Loft where the upper platform is 56" from the floor. If your loft is a standard height model, (42") disregard these two pages.

Follow these steps and refer to the drawing below:

1. Place the bottom step unit (#076674) and an upper step unit (#076634) upside down on the floor. Slide the upper step unit into the bottom step unit until the mounting holes are aligned.
2. Place a 3/8" flat washer on each of the 1 1/2" long machine bolts.
3. Insert the bolts through the holes in the upper step bottom riser and into the steel insert nuts mounted in the back of the bottom step unit. Tighten these bolts securely with a straight tip screwdriver.
4. Locate two of the 1" long truss head screws and insert them through the holes at the top of the bottom step unit. Drive these screws into the sides of the upper step unit until they are tight. **CAUTION!** Use only 1" long screws! Longer screws will come through the side panel leaving a sharp point exposed!

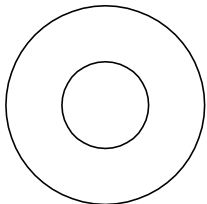
Hardware needed to assemble the bottom step units:

2 - 3/8-16 x 1 1/2" Truss Head Bolts

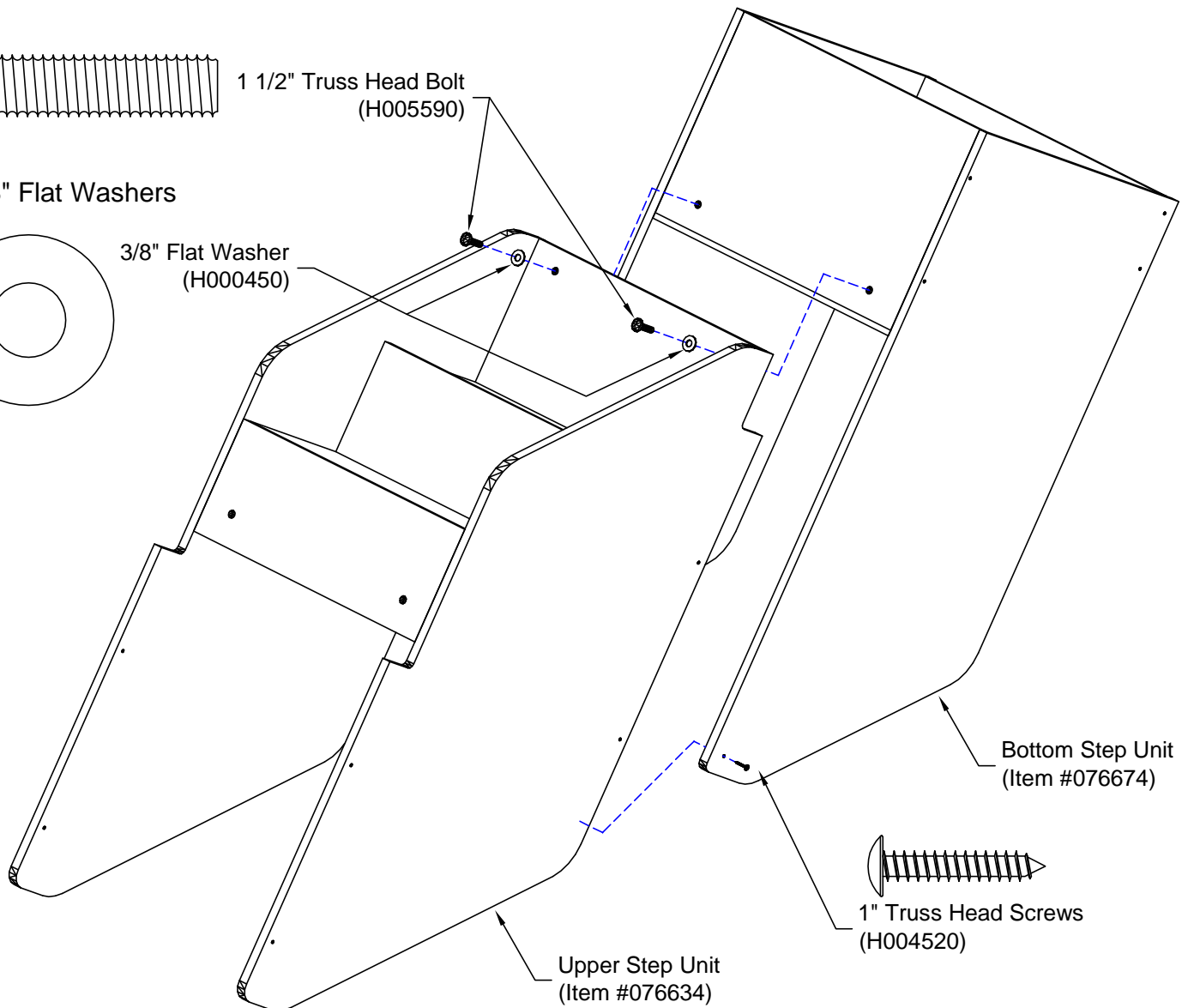


1 1/2" Truss Head Bolt
(H005590)

2 - 3/8" Flat Washers



3/8" Flat Washer
(H000450)



Bottom Step Unit
(Item #076674)

Upper Step Unit
(Item #076634)

1" Truss Head Screws
(H004520)

Extended-Height Step Assembly

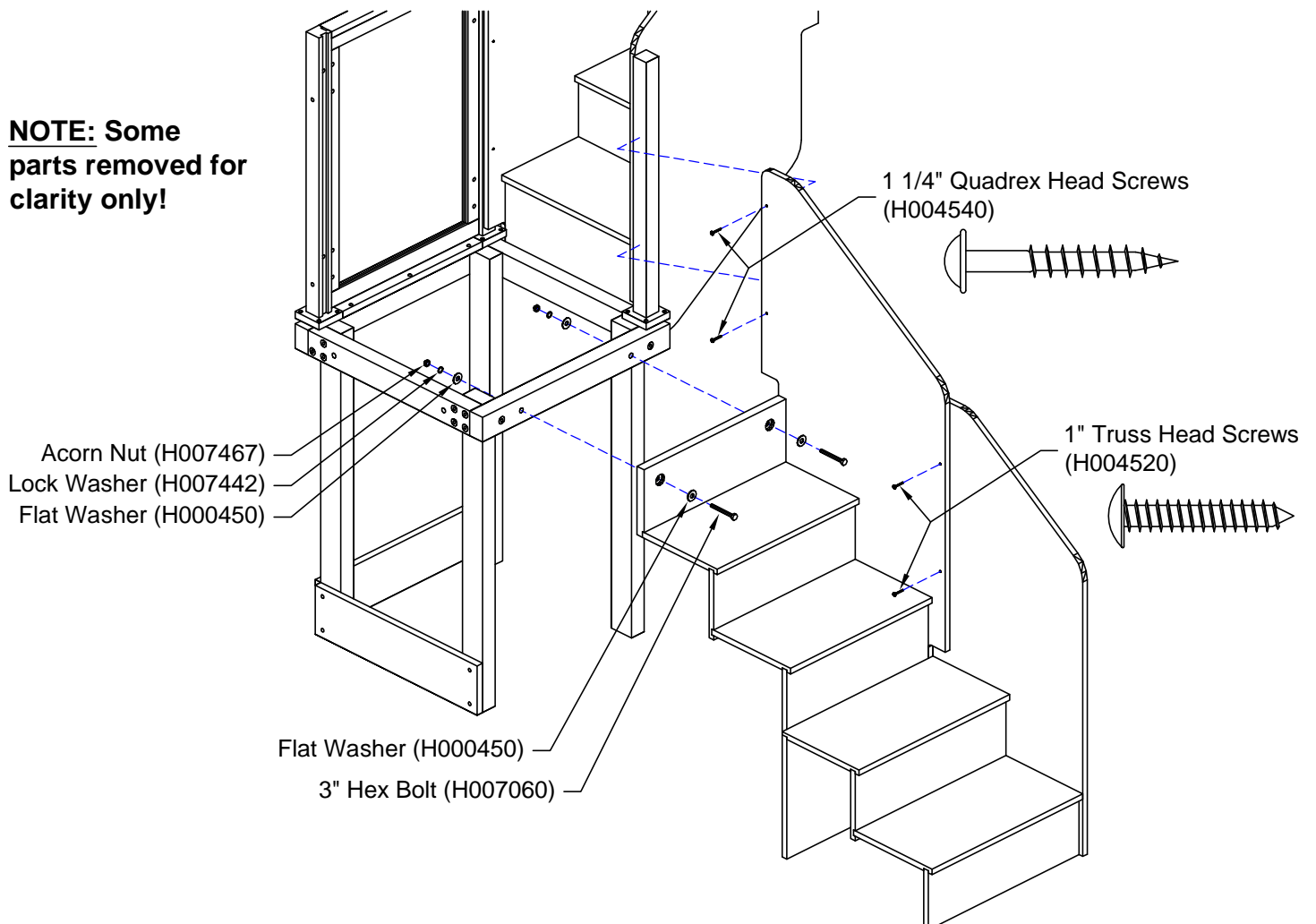
Hardware needed to attach lower step unit:

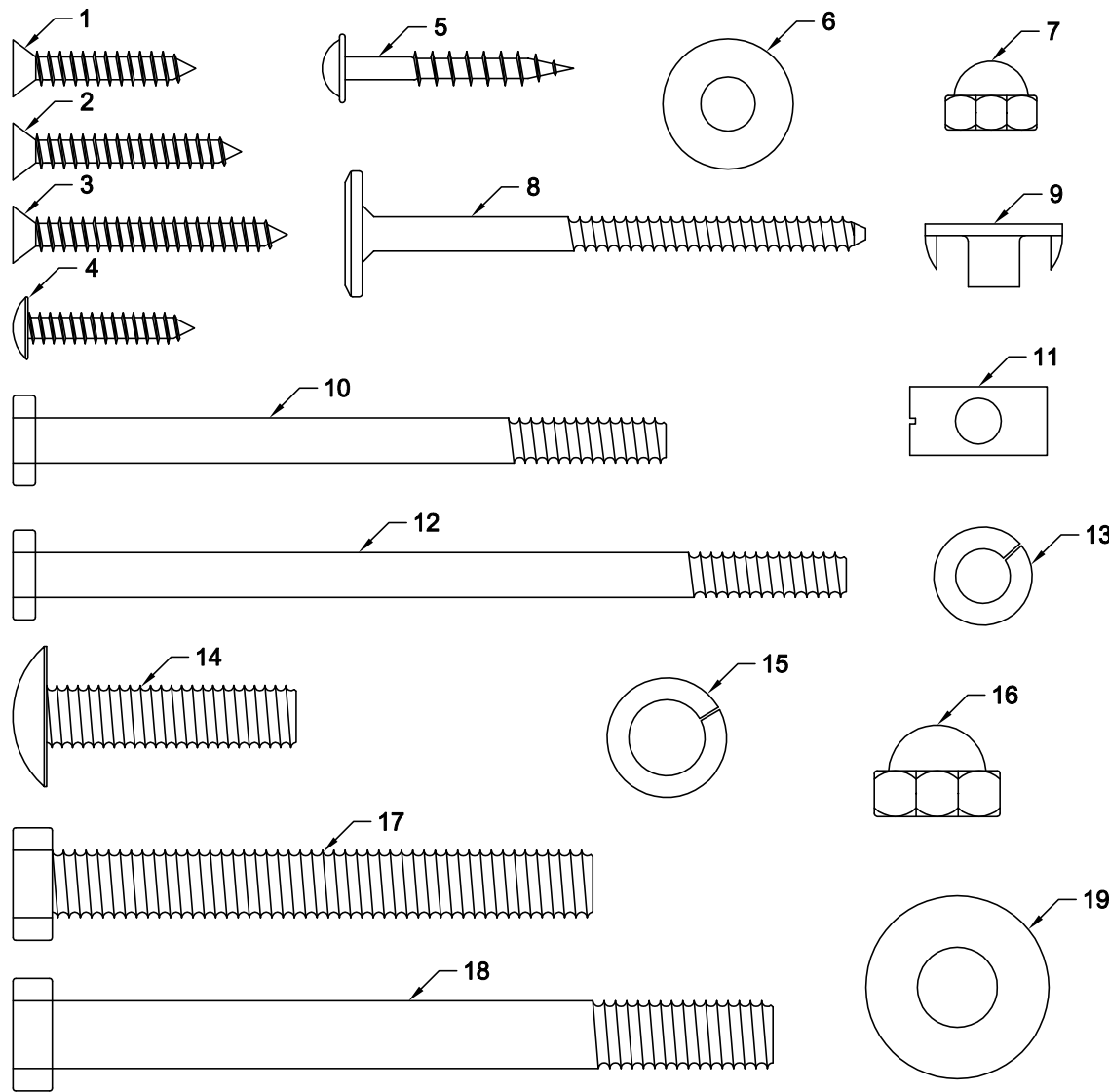
| | | |
|--------------------------------|-----------------------|--------------------------------|
| 2 - 3/8-16 x 3" Hex Head Bolts | 2 - 3/8" Lock Washers | 4 - 1 1/4" Quadrex Head Screws |
| 4 - 3/8" Flat Washers | 2 - 3/8-16 Acorn Nuts | 4 - 1" Truss Head Screws |

Follow these steps and refer to the drawing below:

1. - The lower step unit attaches in the same manner as the upper step unit. Position the lower step unit against the landing (or lower base unit) by placing the step sides between the posts. Place a 3/8" flat washer on two, 3" long hex bolts and insert them through the holes in the top riser of the steps and through the corresponding holes in the landing. (Or base) Once the bolts are through the holes, add another flat washer over the bolt ends followed by a lock washer and an acorn nut. Tighten the acorn nuts ONLY until snug! Adjust the position of the steps so that the top riser is even with the top of the landing. (Or base) Once the steps are positioned properly, tighten the acorn nuts completely. Locate and insert four of the 1 1/4" long screws through the holes at the top of the side panels, and drive them into the posts. (The distance between the edge of the step side and the edge of the post should be consistent)
2. - Finish the assembly by connecting the side panels of the lower step assembly. Insert four 1" long truss head screws through the holes in the upper step side panels, and drive them into the sides of the lower step unit. **CAUTION!** Use only 1" long screws! Screws that are longer than 1" will come through the side panels exposing a sharp point which is a potential risk of injury to children!

NOTE: Some parts removed for clarity only!





| Item | Part # | Part Description |
|------|---------|---------------------------|
| 1 | H000100 | 1" FLAT HEAD SCREW |
| 2 | H000110 | 1 1/4" FLAT HEAD SCREW |
| 3 | H000120 | 1 1/2" FLAT HEAD SCREW |
| 4 | H004520 | 1" TRUSS HEAD SCREW |
| 5 | H004540 | 1 1/4" QUADREX HEAD SCREW |
| 6 | H000440 | 1/4" FLAT WASHER |
| 7 | H000550 | 1/4-20 ACORN NUT |
| 8 | H007320 | 1/4-20 X 2 3/4" CONNECTOR |
| 9 | H000600 | 1/4-20 x 5/16" T-NUT |
| 10 | H007020 | 1/4-20 X 3 1/2" HEX BOLT |
| 11 | H000590 | 1/4-20 x 3/8" BARREL NUT |
| 12 | H007030 | 1/4-20 X 4 1/2" HEX BOLT |
| 13 | H007603 | 5/16" SPLIT LOCK WASHER |
| 14 | H005590 | 3/8-16 X 1 1/2" BOLT |
| 15 | H007442 | 3/8" SPLIT LOCK WASHER |
| 16 | H007467 | 3/8-16 ACORN NUT |
| 17 | H007060 | 3/8-16 X 3" HEX BOLT |
| 18 | H007040 | 3/8-16 X 4" HEX BOLT |
| 19 | H000450 | 3/8" FLAT WASHER |

IMPORTANT NOTE:

The hardware listed above may not be used in all lofts. This list is for identification purposes only. The hardware supplied with your loft may differ slightly from what is pictured. Because the loft system is modular, some hardware pieces may remain after setup is complete. Make sure all steps were followed completely before discarding any hardware.

Customer Service:

P.O. Box 1579
 Appleton, WI 54912-1579
 Phone: 1-888-388-3224
 Fax: 1-888-388-6344
 E-Mail: Appleton_Orders@schoolspecialty.com
 Website: www.schoolspecialty.com

Warning:

This product is intended to be used by children. Supervision is required at all times.

Warning:

Childcraft is not responsible for modifications made to our products by customers.

Cleaning:

Use a mild soap and water solution. Be sure to wipe all water from the wood surface.

Important:

Do not discard these instructions. Keep for future reference.