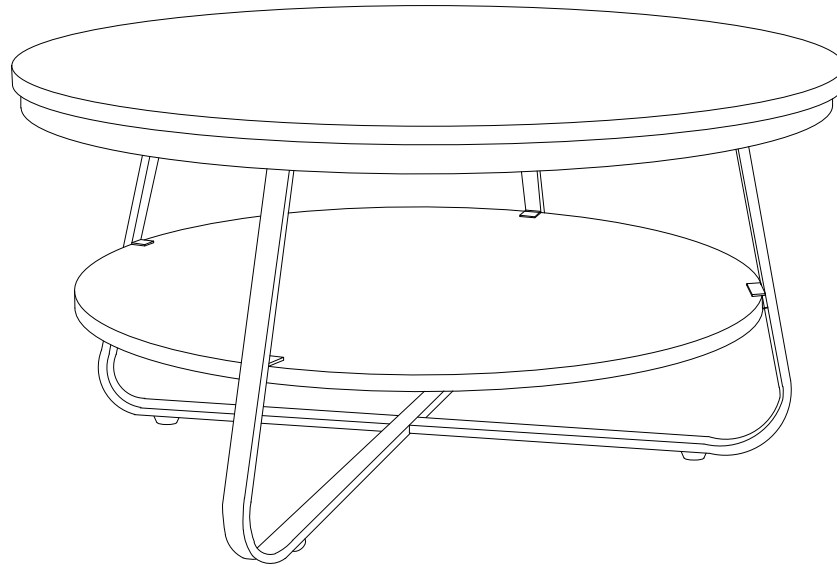


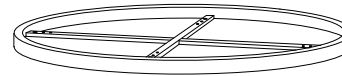
# ASSEMBLY INSTRUCTION



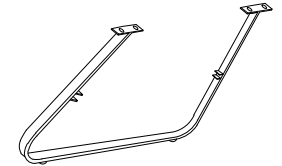
A×1PC



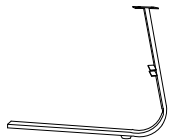
B×1PC



C×1PC



D×1PC



E×2PCS



F×4PCS



G×13PCS

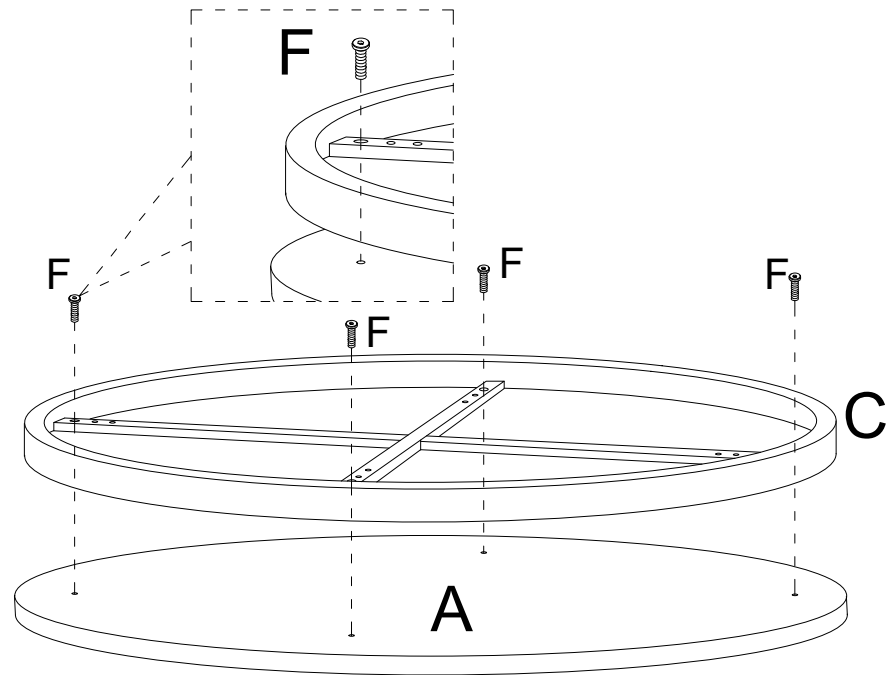


H×1PC

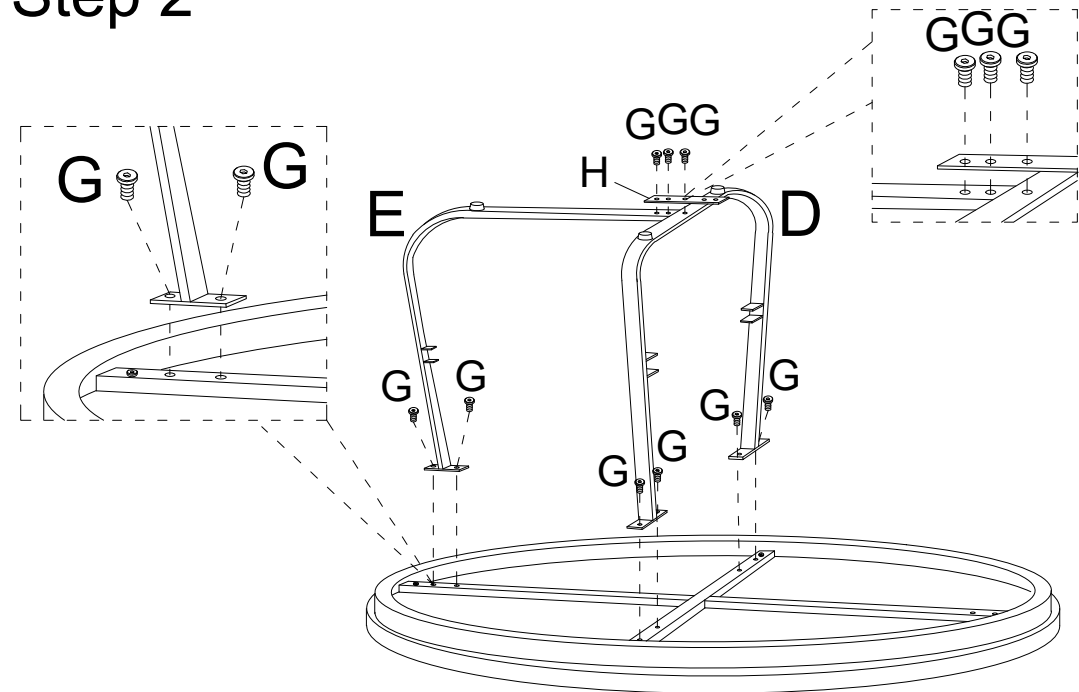


I×1PC

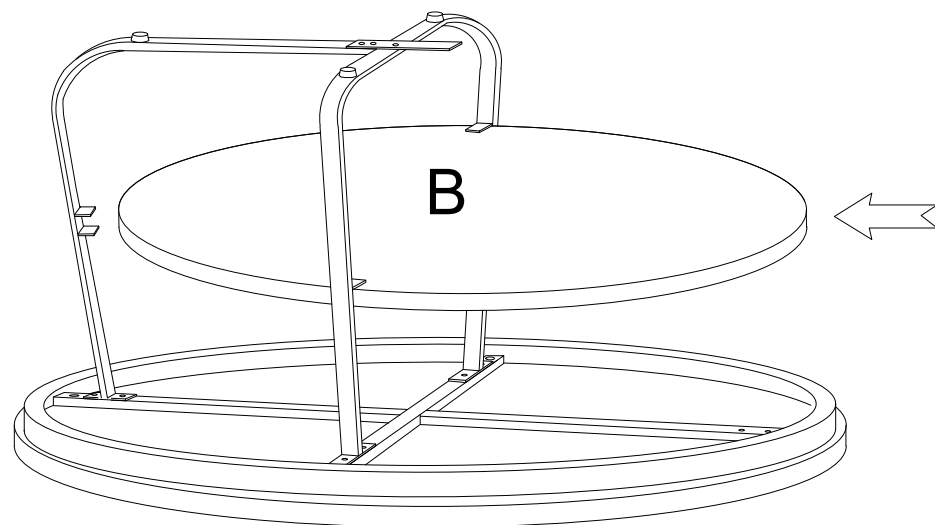
# Step 1



# Step 2



# Step 3



# Step 4

