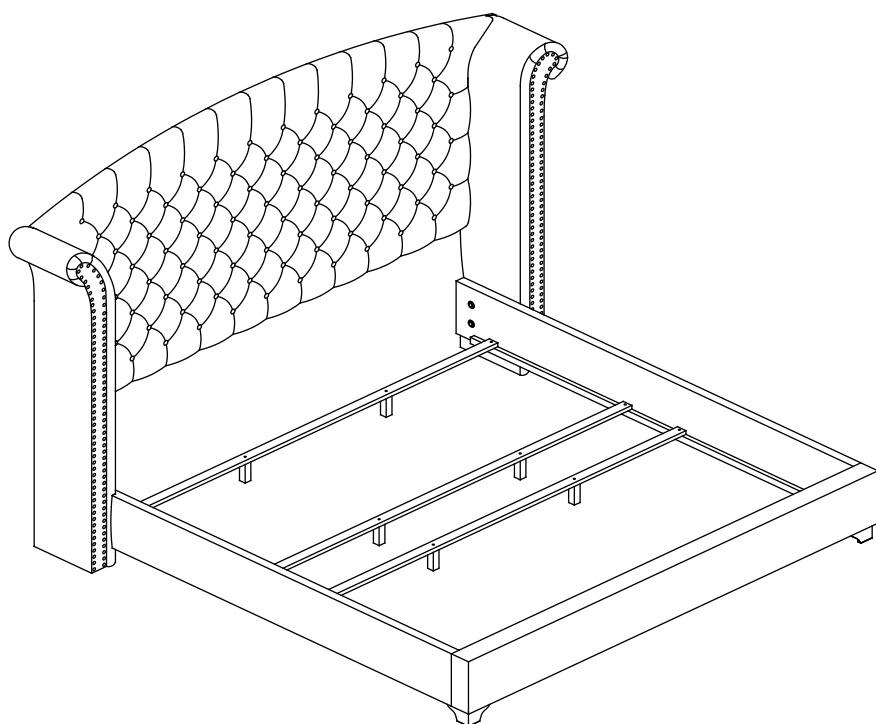


ASSEMBLY INSTRUCTIONS



Eastern King Bed

ASSEMBLY INSTRUCTIONS

ASSEMBLY TIPS:

1. Remove hardware from box and sort by size.
2. Please check to see that all hardware and parts are present prior to start of assembly.
3. Please follow attached instructions in the same sequence as numbered to assure fast & easy assembly.



WARNING!

1. Don't attempt to repair or modify parts that are broken or defective. Please contact the store immediately.
2. This product is for home use only and not intended for commercial establishments.



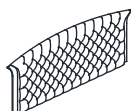
ASSEMBLY TIME

30 MINUTES

PARTS IDENTIFICATION

B1 (BOX 1)

A HEADBOARD PANEL



1PC

B2 (BOX 2)

B BED SLAT



4PCS

C FOOTBOARD PANEL



1PC

D FOOTBOARD LEG



2PCS

E BED SLAT SUPPORT WITH LEVELER



8PCS

F LEFT BED RAIL (WITH "F" LABEL)



1PC

G RIGHT BED RAIL (WITH "G" LABEL)



1PC

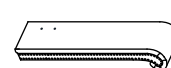
B3 (BOX 3)

H LEFT WING (WITH "H" LABEL)



1PC

I RIGHT WING (WITH "I" LABEL)



1PC

NOTE:

Phillips head screw driver is required in the assembly process; however, manufacturer does not provided this item.

ASSEMBLY INSTRUCTIONS

ASSEMBLY TIPS:

1. Remove hardware from box and sort by size.
2. Please check to see that all hardware and parts are present prior to start of assembly.
3. Please follow attached instructions in the same sequence as numbered to assure fast & easy assembly.



WARNING!

1. Don't attempt to repair or modify parts that are broken or defective. Please contact the store immediately.
2. This product is for home use only and not intended for commercial establishments.

HARDWARE IDENTIFICATION

Z-B2 (BOX 2) - HARDWARE PACK IS LOCATED IN (B2)

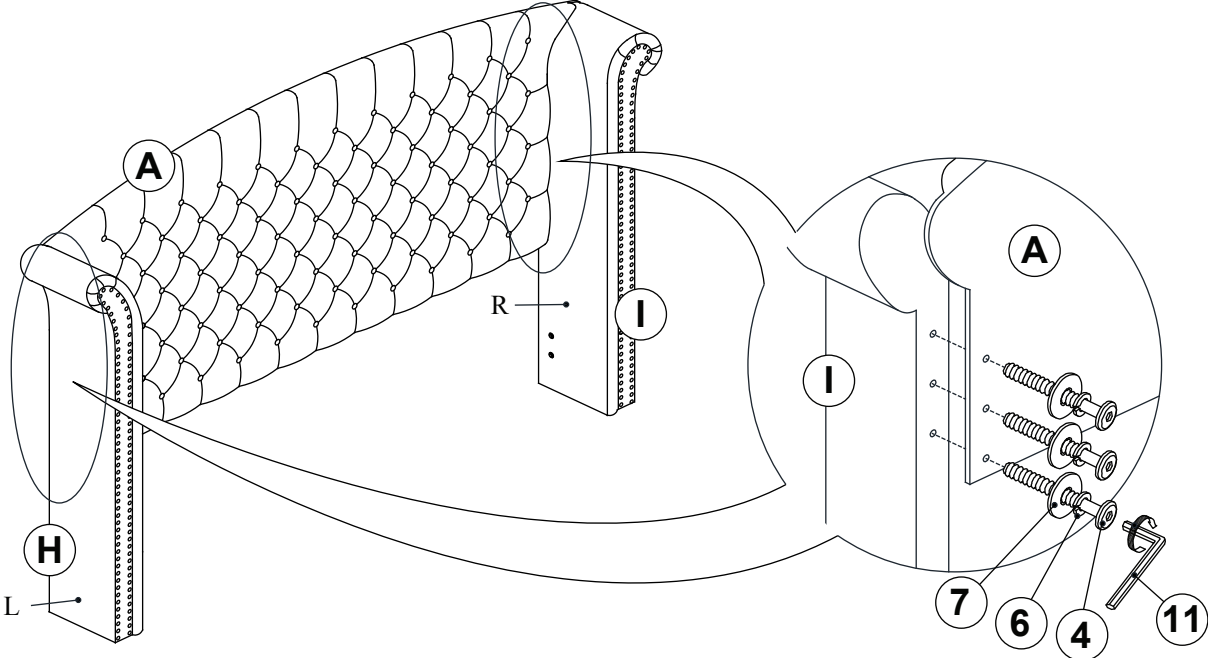
1	BOLT 1 (M8 x 20MM - RBW)		4PCS	7	SMALL FLAT WASHER (1/4" x 19 Ø - RBW)		6PCS
2	BOLT 2 (M8 x 60MM - RBW)		4PCS	8	BIG LOCK WASHER (5/16" x 14 Ø - RBW)		4PCS
3	BOLT 3 (M6 x 16MM - RBW)		6PCS	9	BIG FLAT WASHER (5/16" x 22 Ø - RBW)		4PCS
4	BOLT 4 (M6 x 35MM - RBW)		14PCS	10	FLAT HEAD SCREW (M4 x 32MM - RBW)		8PCS
5	WOOD DOWEL (M10Ø x 30MM)		4PCS	11	SMALL ALLEN WRENCH (M4 x 100MM - BLK)		1PC
6	SMALL LOCK WASHER (1/4" x 12 Ø - RBW)		6PCS	12	BIG ALLEN WRENCH (M5 x 65MM - BLK)		1PC

NOTE:

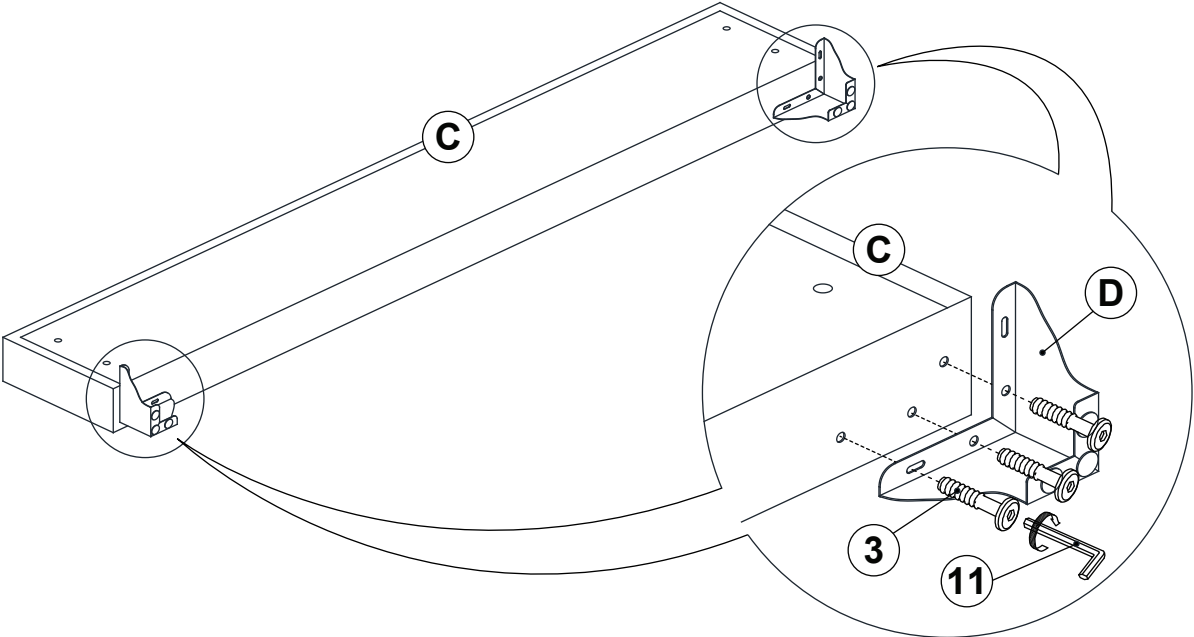
Phillips head screw driver is required in the assembly process; however, manufacturer does not provided this item.

ASSEMBLY INSTRUCTIONS

STEP 1

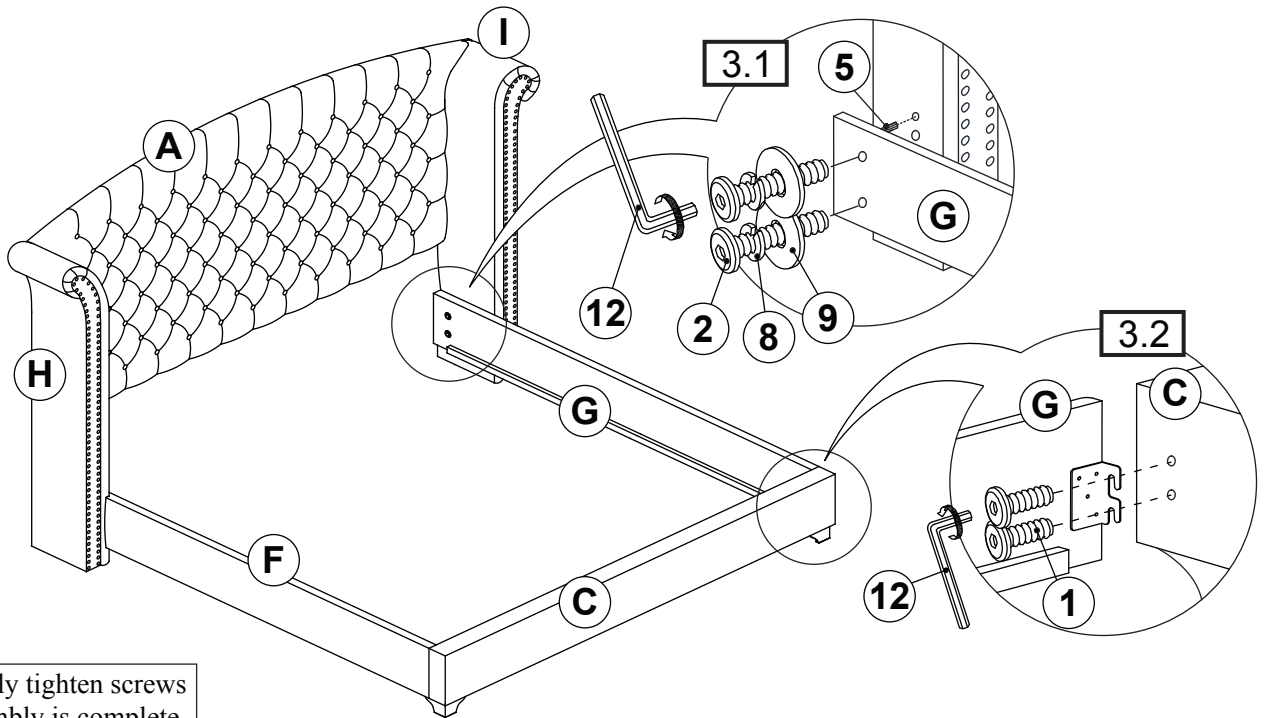


STEP 2



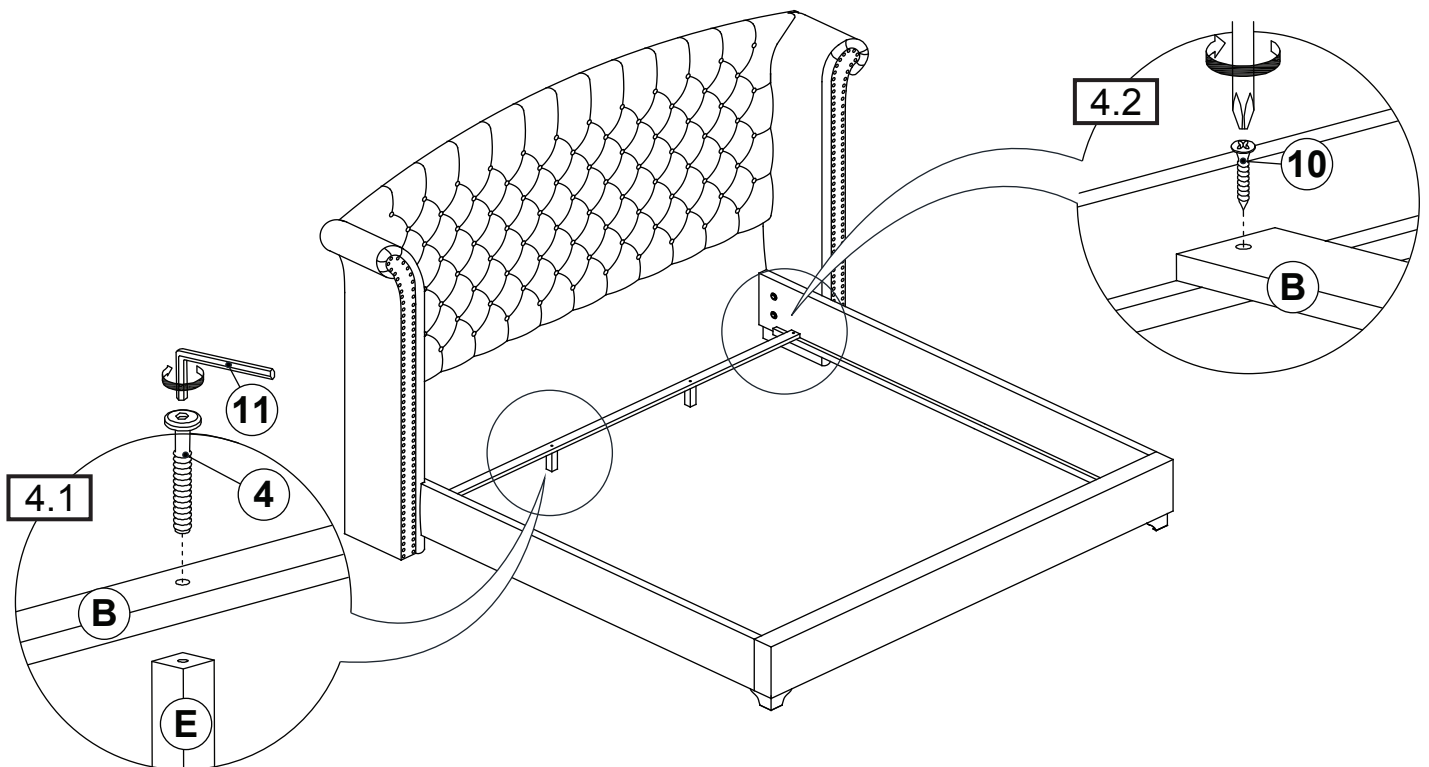
ASSEMBLY INSTRUCTIONS

STEP 3



Do not fully tighten screws until assembly is complete and the bed is level.

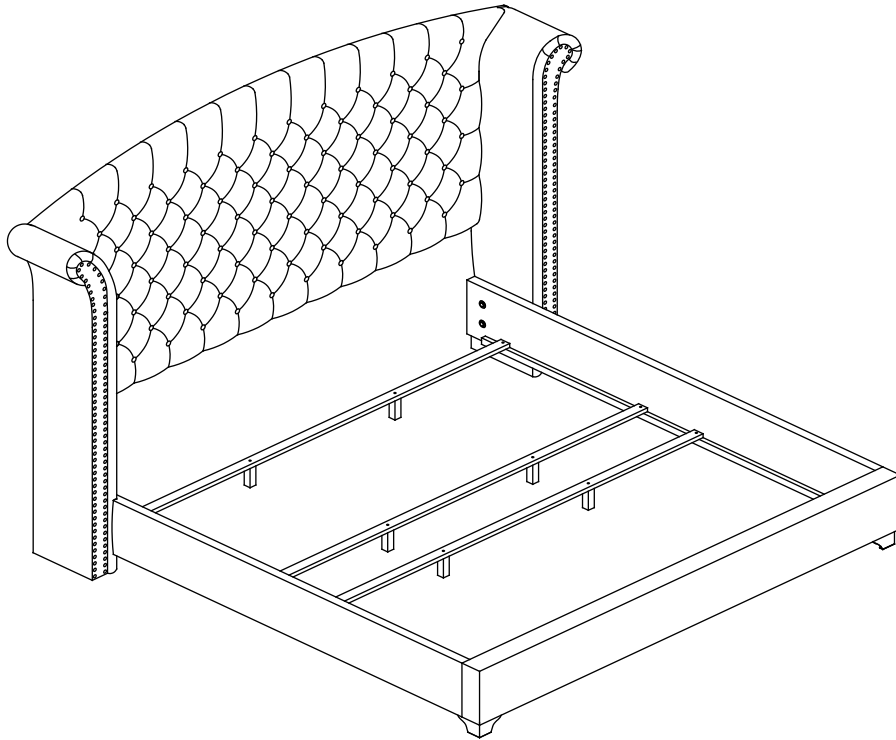
STEP 4



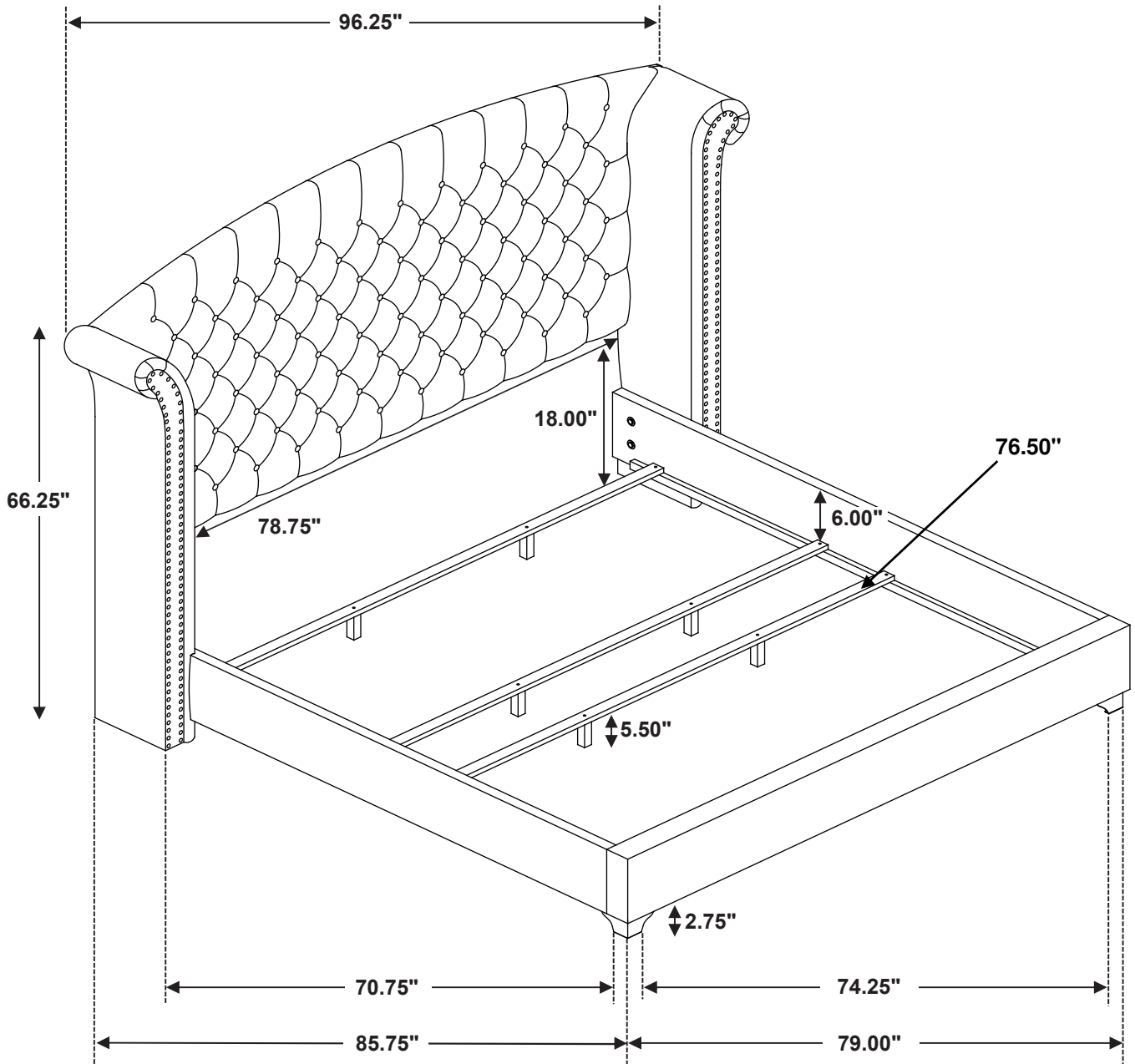
ASSEMBLY INSTRUCTIONS

STEP 5

COMPLETE



Inner Size : 76.50"W X 81.00"D



Note : Dimension tolerance $\pm 5\%$