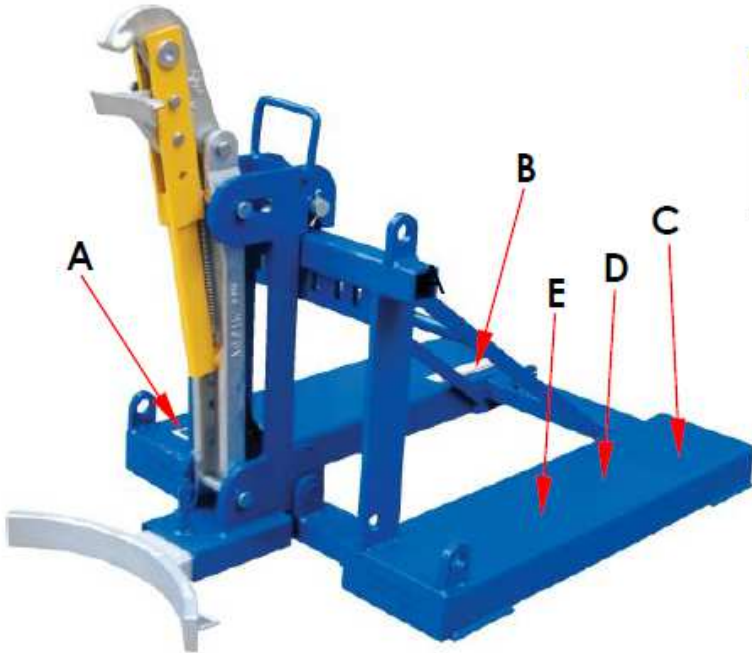


# FMDL-1

# FMDL-2



**A: Label 485**

### ⚠ CAUTION

Side of drum must maintain contact with drum cradle whenever drum is elevated. Secure drum to cradle with ratchet strap when necessary -- while traveling over rough terrain, for example.

485  
REV 0118

**C: Label 1153 with 770 overlay**

MODEL / MODÉLO / MODÈLE \_\_\_\_\_  
 WEIGHT / PESO / MASS \_\_\_\_\_  
 CAPACITY / CAPACIDAD / CAPACITÉ \_\_\_\_\_  
 SERIAL / SERIE / SÉRIE \_\_\_\_\_

UNITS: 2.2 lb. = 1kg      1" (or 1in.) = 2.54cm      1153

**B: Label 218**

⚠ WARNING	⚠ ADVERTENCIAS
Improper use might result in death or serious personal injury. Attach device to fork carriage with safety chain/strap. • Drive lift truck forward until forks contact ends of fork pockets. • Chain/straps must not be able to disconnect (slide free) from carriage. • Safety chain/strap must be taut. Connect chain/strap to carriage via shortest line.	El uso impropio puede resultar en muerte o heridas personales. Atar aparato al mástil del montacargas con cadena/correas. • Maneje el montacargas para adelante hasta que las cuñas hagan contacto con la orilla del bolsillo de las cuñas. • La cadenas y correas no deben de deslizarse (soltarse) del mástil del montacargas. • La cadena/correa de seguridad debe de estar apretada. Asegure la cadena/correa al mástil via la ruta mas corta.

**D: Label 1049**

### ⚠ WARNING

Improper use of this fork attachment might result in death or serious injury. 1049  
rev 1220

- Using this front end attachment affects lift truck center of gravity.
- Before using this fork attachment, US Federal regulation 29 CFR 1910.178 requires you to contact the manufacturer of your lift truck and request:
  - Written approval [29 CFR 1910.178(a)(4)]
  - Markings for (fork) lift truck that:
    - Identify the attachment.
    - Give approximate weight of truck and attachment at maximum elevation with laterally-centered load. [29 CFR 1910.178(a)(5)].
- DO NOT** use **UNTIL** lift truck is marked with corrected capacity tags.
- CAPACITY OF TRUCK & ATTACHMENT COMBINATION MIGHT BE LESS THAN CAPACITY OF ATTACHMENT. CONSULT TRUCK CAPACITY TAG/LABEL.**

**E: Label 1210**

### ⚠ WARNING

Using this front end attachment exposes occupants and bystanders to risk of serious personal injuries or death. 1210

- DO NOT** use this front end attachment with rough terrain lift trucks or telehandlers (boom lifts).
- ONLY** use this attachment with high lift fork trucks utilizing a vertical mast and carriage.
- DO NOT** operate truck with attachment on unimproved surfaces. **ONLY** operate the truck with the attachment on concrete or asphalt surfaces capable of supporting the truck and a full capacity load.

Label 1072 is to be applied to the outside of individual packaging

<p><b>⚠ WARNING:</b> Reproductive Harm - <a href="http://www.P65Warnings.ca.gov">www.P65Warnings.ca.gov</a>.</p> <p><b>⚠ WARNING:</b> Cancer - <a href="http://www.P65Warnings.ca.gov">www.P65Warnings.ca.gov</a>.</p>	<p><b>⚠ ADVERTENCIA:</b> <span style="float: right;">1072</span> Daño Reproductivo - <a href="http://www.P65Warnings.ca.gov">www.P65Warnings.ca.gov</a>.</p> <p><b>⚠ ADVERTENCIA:</b> Cáncer - <a href="http://www.P65Warnings.ca.gov">www.P65Warnings.ca.gov</a>.</p>
--	--

# EAGLE BEAK DRUM LIFTER

09/26/2023