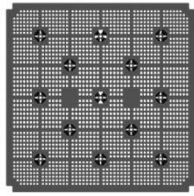


User manual

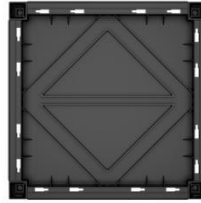
PARTS



1. Lateral plate*6



2. Waterproof plate*2



3. Base plate*2



4. Waterproof strip*8



5. Drain Plug*8



6. Protecting cap*8



7. Upright*8

1



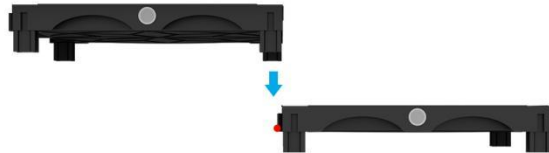
Install the Drain Plug

Open the accessory bag and remove the white water stopper. Install 4 white plugs on each base.

2

Assemble the base

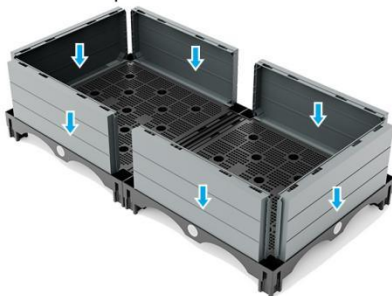
Place the side of the base without protrusions on top and the side with protrusions on the bottom, and then assemble them together.



3

Install Side Panels

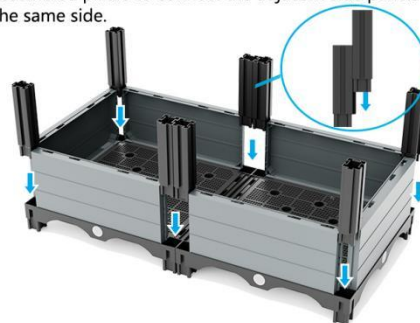
Align the side panel buckle with the slot on the base. Press down and push flat to one side to install it in place.



4

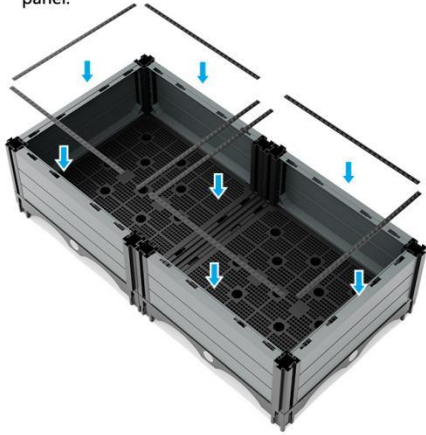
Install upright posts

First, assemble the two pillars together, and then use the assembled pillars to connect the adjacent side panels on the same side.



5 Install waterproof strip

Install the waterproof strip onto the base and side panel.



6 Install protective cover

Install the protective cover onto the pillar.



7 Product display after installation

